



FOLDING TRAILERS

2010

Americana Series  
Repair Parts Catalog

4489 Santa Fe 10'

4496 Cheyenne 10'

4491 Sun Valley 12'

4478 Bayside 12'

4481 Utah 12'

TABLE OF CONENTS	
DESCRIPTION	PAGE
Access door key	30
Access door assembly & related parts	9
Auto extension	14
Axle assemblies & related parts	3
Backrest assemblies & covers	33
Bed assemblies	28
Bed extensions & related parts	28
Body panel right rear (curbside)	8
Body panel left side (roadside)	10
Body panel left side glide-out (roadside)	10
Body panel front & rear (plastic)	7
Body panel right front (curbside)	9
Body panel frt. (storage box units)	7
Bumper & related parts	7
Cabinet assembly (csf corner cabinets)	24
Cabinet assy. "rsr corner cab." - <b>4381</b>	23
Cabinet/potty assy. csf - <b>4389, 4378, 4381</b>	27
Caulking	14
Converter & related parts	22
Corner bulkhead assembly	2
Coupler assembly	2
Crank components (upper crank)	5
Crank handle	30
Cushion assemblies & covers	33
Door bulkheads	8
Drain assy./drain hose (used on sinks)	13
Drape packages & related parts	34
Drawer assembly components	22
Electric brakes & related parts	3
Fire extinguisher & components	24
Floor covering	2
Frame assembly & related parts	2
Gas detector	22
Gas hose (gas bottle hook-up)	31
Gas bottle mounting brackets	30
Gas quick disconnect (outside h.p. stove)	2
Gas bottle cover (black vinyl)	31
Gas bottle & related parts	31
Glide-out components	11
Glide-out tent bow & support	29
Grease cap (EZ lube cap)	3
Hub assembly & related parts	3
Hutch assembly roadside - <b>Sun Valley</b>	23
Hutch/Seat assy. csr - <b>Cheyenne, Utah</b>	25
Hutch assembly csr - <b>Santa Fe</b>	27
Hutch assy. doorway lt. - <b>Sun Valley Mesa</b>	24
Lift assemblies & related parts	4
Lift trim & miter covers	8,9
Lower galley assy. - <b>4389, 96</b>	16
Lower galley components - <b>Sun Valley</b>	17
Lower galley components - <b>Bayside,Utah</b>	18
Lower galley components - <b>Mesa</b>	19
Lower cs vanity cabinet components - <b>Bayside</b>	18
Lug wrench	30
Mattress assemblies & covers	28
Outside shower assy.	10
Paint (spray & quart can)	14
Paneling & trim	14
Parts package & components	30
Pigtail (car end)	2
Potty cabinet curbside frt. - <b>4389, 4378, 4381</b>	27

DESCRIPTION	PAGE
Potty curtain - <b>4389, 4378, 4381</b>	34
Potty hatch door - <b>4389, 4378, 4381</b>	8
Power cord (converter).	22
Power lift components	5
Receptacle (exterior)	8
Receptacle (interior)	22
Refrigerator vents	10
Regulator & fittings	31
Safety chains	30
Screen door & related parts	21
Seat bench component parts	26
Seat bench "rear center" - <b>Bayside</b>	25
Shower (Outside shower assy.)	10
Sink & related parts	13
Spare tire cover (black vinyl)	2
Spare tire mount package	2
Stabilizer assembly	2
Stabilizer handle/lug wrench combo	30
Storage box components	6
Stove components (upper galley)	12
Stove (high pressure outdoor stove)	15
Table assemblies & related parts	14
Taillights (rear body panel)	7
Tent support assemblies & related parts	29
Tenting & related parts (sunbrella)	34
Thermostat (Hydro Flame)	22
Thrust bearing/nut	4
Tie backs (curtains)	34
Tip-out/Glide-out tent bow & support	29
Tire & rim	2
Tire cover "black vinyl"	2
Tongue jack & related parts	2
Top assemblies & related parts	35,36
Trim tape kits	7,8,9
Upper crank assy. & components	5
Upper galley compts - <b>4389, 96, 78, 81</b>	16
Upper galley components - <b>Sun Valley</b>	17
Upper galley components - <b>Bayside,Utah</b>	18
Upper galley components - <b>Mesa</b>	19
Upper cs vanity cab. components - <b>Bayside</b>	20
Valance package	34
Water heater	32
Water faucet	16,17,18,19
Water system & related parts	32
Wheel well	2
Whiffletree & related parts	4
Zippers (tenting assemblies)	34

Axle/Brakes - Dexter	574/295-7888
Cassette Potty - Thetford	800/354-4135
Converter - World Friendship Co	800/900-2468
Furnace - Hydro Flame #7916-11	800/546-8759
Hand pump - Leisure Components	562/865-0401
Power Lift - Barker	888/367-6978
Refrigerator - Dometic	800/216-5115
Oven/Range - Atwood Greenbrier	800/646-8557
Stove (high pressure) - Atwood	574/264-2131
Stove (low pressure) - Suburban	423/775-2131
Tires - Kenda	800/225-4714
Water heater - Suburban #5031E	423/775-2131
Yakima bike rack - to obtain repair parts	800/925-4621

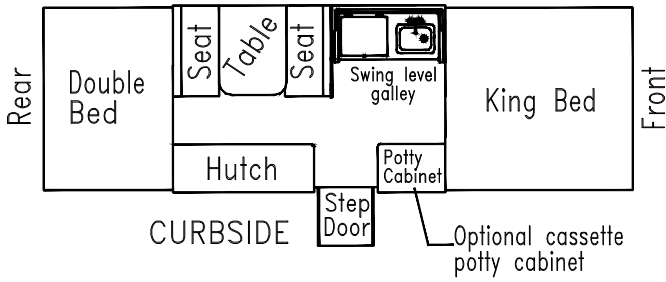
TABLE OF CONENTS	
DESCRIPTION	PAGE
Access door key	30
Access door assembly & related parts	9
Auto extension	14
Axle assemblies & related parts	3
Backrest assemblies & covers	33
Bed assemblies	28
Bed extensions & related parts	28
Body panel right rear (curbside)	8
Body panel left side (roadside)	10
Body panel left side glide-out (roadside)	10
Body panel front & rear (plastic)	7
Body panel right front (curbside)	9
Body panel frt. (storage box units)	7
Bumper & related parts	7
Cabinet assembly (csf corner cabinets)	24
Cabinet assy. "rsr corner cab." - <b>4481</b>	23
Cabinet/potty assy. csf - <b>4489, 4478, 4481</b>	27
Caulking	14
Converter & related parts	22
Corner bulkhead assembly	2
Coupler assembly	2
Crank components (upper crank)	5
Crank handle	30
Cushion assemblies & covers	33
Door bulkheads	8
Drain assy./drain hose (used on sinks)	13
Drape packages & related parts	34
Drawer assembly components	22
Electric brakes & related parts	3
Fire extinguisher & components	24
Floor covering	2
Frame assembly & related parts	2
Gas detector	22
Gas hose (gas bottle hook-up)	31
Gas bottle mounting brackets	30
Gas quick disconnect (outside h.p. stove)	2
Gas bottle cover (black vinyl)	31
Gas bottle & related parts	31
Glide-out components	11
Glide-out tent bow & support	29
Grease cap (EZ lube cap)	3
Hub assembly & related parts	3
Hutch assembly roadside - <b>Sun Valley</b>	23
Hutch/Seat assy. csr - <b>Cheyenne, Utah</b>	25
Hutch assembly csr - <b>Santa Fe</b>	27
Hutch assy. doorway lt. - <b>Sun Valley Mesa</b>	24
Lift assemblies & related parts	4
Lift trim & miter covers	8,9
Lower galley assy. - <b>4489, 96</b>	16
Lower galley components - <b>Sun Valley</b>	17
Lower galley components - <b>Bayside,Utah</b>	18
Lower cs vanity cabinet components - <b>Bayside</b>	
Lug wrench	18
Mattress assemblies & covers	30
Outside shower assy.	28
Paint (spray & quart can)	10
Paneling & trim	14
Parts package & components	14
Pigtail (car end)	30
Potty cabinet curbside frt. - <b>4489, 4478, 4481</b>	2
	27

DESCRIPTION	PAGE
Potty curtain - <b>4489, 4478, 4481</b>	34
Potty hatch door - <b>4489, 4478, 4481</b>	8
Power cord (converter).	22
Power lift components	5
Receptacle (exterior)	8
Receptacle (interior)	22
Refrigerator vents	10
Regulator & fittings	31
Safety chains	30
Screen door & related parts	21
Seat bench component parts	26
Seat bench "rear center" - <b>Bayside</b>	25
Shower (Outside shower assy.)	10
Sink & related parts	13
Spare tire cover (black vinyl)	2
Spare tire mount package	2
Stabilizer assembly	2
Stabilizer handle/lug wrench combo	30
Storage box components	6
Stove components (upper galley)	12
Stove (high pressure outdoor stove)	15
Table assemblies & related parts	14
Taillights (rear body panel)	7
Tent support assemblies & related parts	29
Tenting & related parts (sunbrella)	34
Thermostat (Hydro Flame)	22
Thrust bearing/nut	4
Tie backs (curtains)	34
Tip-out/Glide-out tent bow & support	29
Tire & rim	2
Tire cover "black vinyl"	2
Tongue jack & related parts	2
Top assemblies & related parts	35,36
Trim tape kits	7,8,9
Upper crank assy. & components	5
Upper galley compts - <b>4489, 96, 78, 81</b>	16
Upper galley components - <b>Sun Valley</b>	17
Upper galley components - <b>Bayside,Utah</b>	18
Upper cs vanity cab. components - <b>Bayside</b>	19
Valance package	20
Water heater	34
Water faucet	32
Water system & related parts	16,17,18,19
Wheel well	32
Whiffletree & related parts	2
Zipers (tenting assemblies)	4
	34

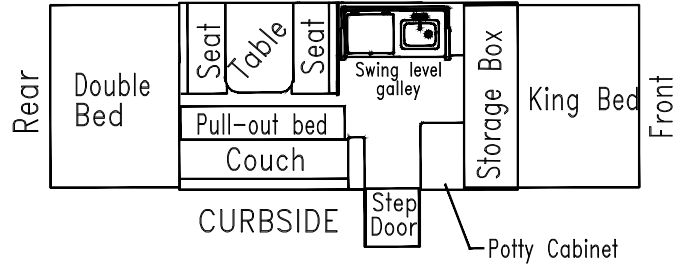
Axle/Brakes - Dexter	574/295-7888
Cassette Potty - Thetford	800/354-4135
Converter - World Friendship Co	800/900-2468
Furnace - Hydro Flame #7916-11	800/546-8759
Hand pump - Leisure Components	562/865-0401
Power Lift - Barker	888/367-6978
Refrigerator - Dometic	800/216-5115
Oven/Range - Atwood Greenbrier	800/646-8557
Stove (high pressure) - Atwood	574/264-2131
Stove (low pressure) - Suburban	423/775-2131
Tires - Kenda	800/225-4714
Water heater - Suburban #5031E	423/775-2131
Yakima bike rack - to obtain repair parts	800/925-4621

# 2010 AMERICANA SERIES

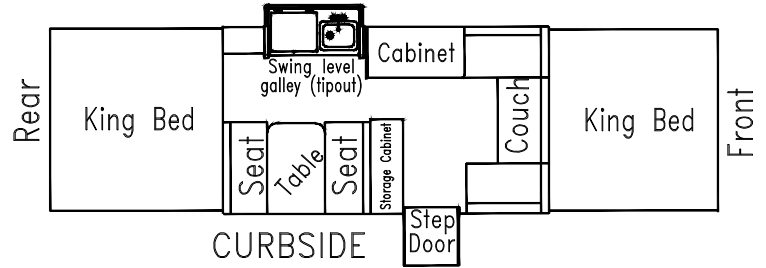
4489 Santa Fe 10'  
ROADSIDE



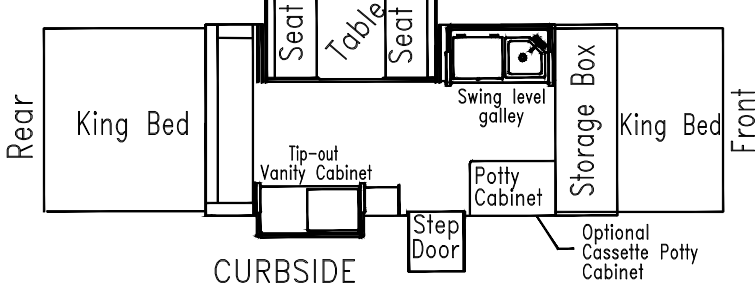
4496 Cheyenne 10'  
ROADSIDE



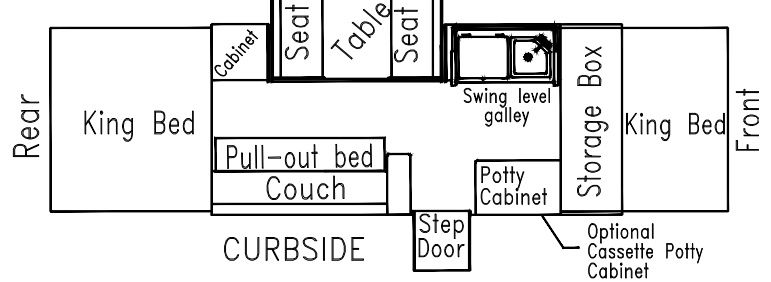
4491 Sun Valley 12'  
ROADSIDE

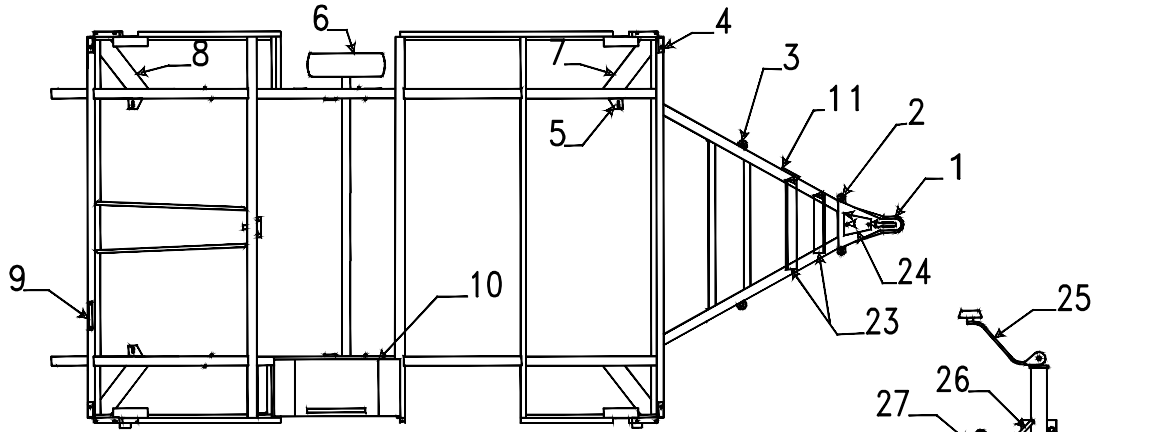


4478 Bayside 12'  
ROADSIDE

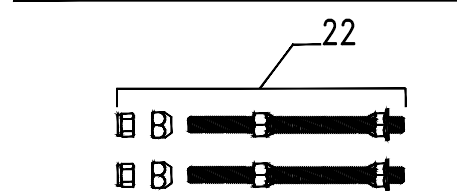
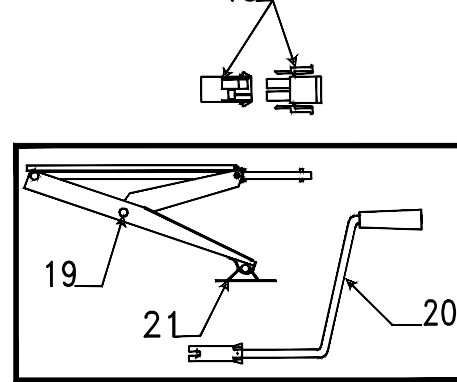
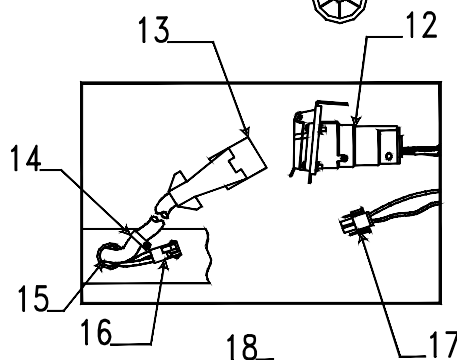
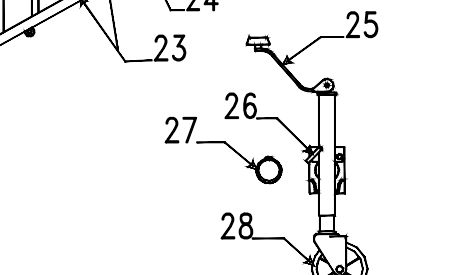


4481 Utah 12'  
ROADSIDE



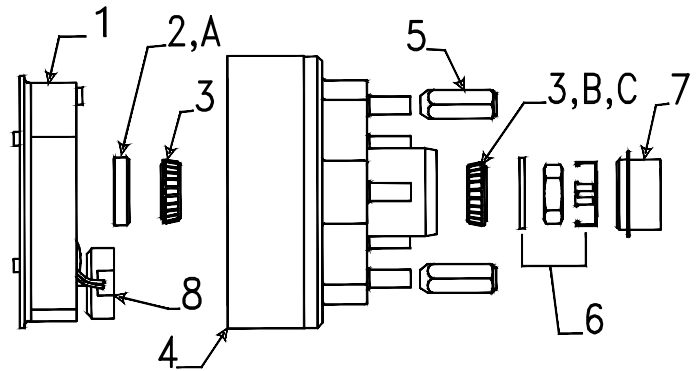


Frame Assembly Component Parts			
Flat Rate	Code	Part #	Description
1.50	1	4772-4231	coupler assembly (dexter TCAN0251)
0.75	2	4748-6611	chain bar w/pins (dexter SUB0937)
0.75		4720A3561	chain bar w/o pins (dexter TCL243)
0.50	3	4758-0381	bed leg pin & washer(dexter PC0014 & HW00014)
0.10		4747-8941	pin cover m2 (plastic)
2.00	4	4758G6731	corner bulkhead csf/rsr
2.00		4758G6691	corner bulkhead rsf/csr
		1203C8751	rivet m25 (rivet bulkhead to frame)
0.75	5	4732E3671	adjustable pulley brkt. X4 dexterCS0024)
0.50		4715A5371	pulley & bearing m10
		4720C1578	short pin m4
		1204B1081	cotter pin m10
0.25	6	4757A2468	tire & rim 13" Id "C" 4489, 4496
0.25		4772-3598	mag tire & rim 13" Id "D" 4481, 78
0.25		4753E8168	spare tire & rim 13" Id "D" 4481, 78,91
0.25		4716E8168	13" LR "D" tire only Kenda
0.05		4723H3161	13" tire cover "black vinyl"
0.25		4772-4141	star mag center cover
1.00	7	4755B6641	stabilizer plate csf/rsr(dexter SUB00813)
1.00	8	4755B6651	stabilizer plate rsf/csr (dexter SUB00812)
1.00	9	4754F5101	spare tire support "rear"
2.00	10	4759-0931	wheel well assy. 4489
2.00		4759-0791	wheel well assy. (all except 4389)
0.75	11	4720B3331	jack bracket (welded to tongue)(dexterTCCJ0029)
	12	4746A5591	pigtail - "car end"
	13	4716-5871	wire harness repair kit (8' section)
	14	1201-8738	3/8" clamp
		1203C8721	steel rivet m25
	15	4742-8108	1 1/4" snap bushing
	16	4716A5001	12 volt power harness
0.15	17	4749B5531	12v harness w/15 amp breaker m2
0.15		4768-6291	12v harness w/40 amp breaker
	18	4716A4701	12 volt cap & plug m2
0.25	19	4751B3351	stabilizer assy. (screw down)
		4751-8208	tapping screw (3 per stab.)
	20	4747G4141	crank handle
0.10	21	4755A6841	sand shoe (pkg. of 4)
0.25	22	4741B5791	spare tire mount kit (all)
**	23	4716B1751	battery angle pkg. (non box models)
**		4716C7151	battery angle pkg. (box models)
0.10	24	4767A8731.	coupler hole cover plate
0.15	25	4720C6661	tongue jack assy
0.15		4716-1951	jack handle kit
0.15	26	4716-1981	locking plunger kit
0.10	27	4720A3341	snap ring m2
0.25	28	4716-1971	jack wheel nut & bolt

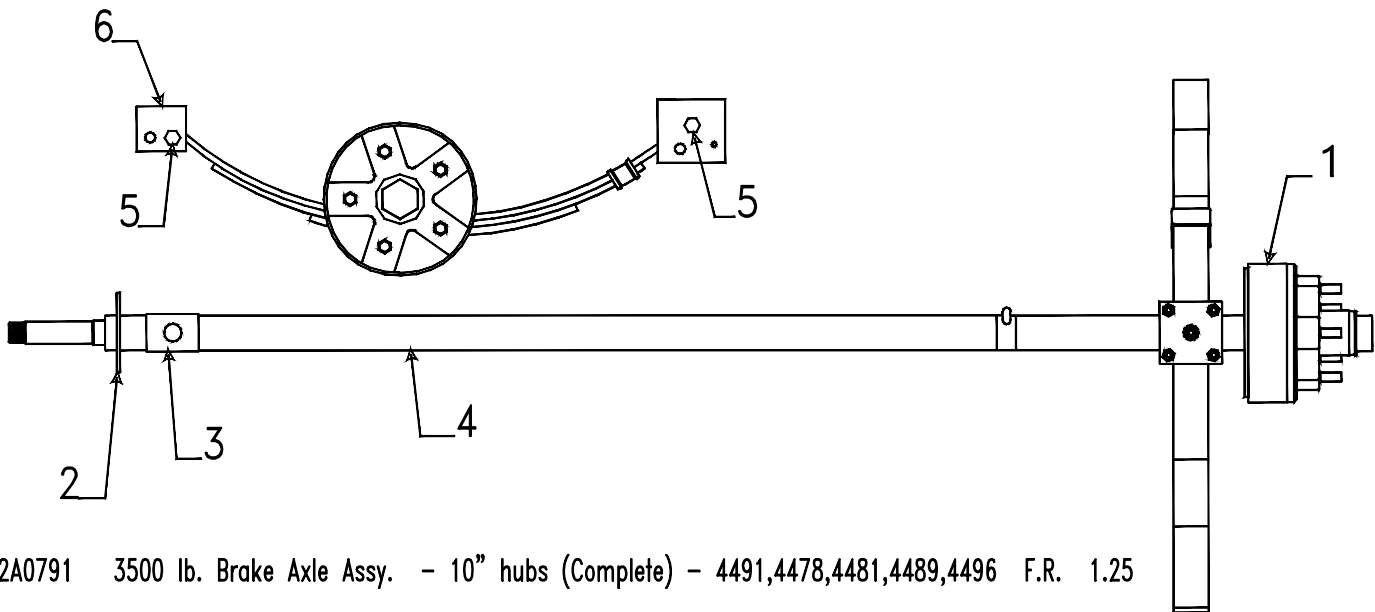


\* 6610007213P floor covering pkg. (7 1/2' x 14' )  
 \* Prior Authorization Needed From Factory  
 \*\* PURCHASE LOCALLY

Flat Rate .50 Per Side			
Electric Brake Pkg. 10" x 2 1/4" (4714J2011)			
Flat Rate	Code	Part #	Description
0.50	1	4716-6251	10" brake assembly (right hand)
0.50		4716-6261	10" brake assembly (left hand)
0.50	2	4716A1441	10" grease seal (2 per pack)
0.50	3	4716A1451	10" bearing, race & seal pkg.
0.30	4	4716-1431	10" hub & drum x2
0.05	5	4772-3601	lug nuts "stainless steel" m5
0.10	6	4714A3061	retainer package
0.05	7	4714C0621	EZ lube grease cap m4
0.40	8	4716-2881	10" magnet, spring & clip pkg.



Crossover Numbers To Purchase Locally	
A	K71-303-00 Grease Seal
B	L44649 Bearing "outer" L68149 Bearing "inner"
C	L44610 Race "outer" L68111 Race "inner"



4702A0791 3500 lb. Brake Axle Assy. - 10" hubs (Complete) - 4491,4478,4481,4489,4496 F.R. 1.25

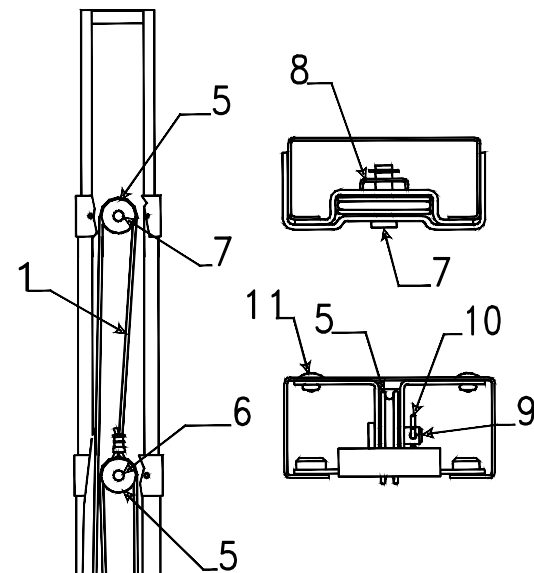
NOTE: limited parts stocked for Dexter Axles, for required part (s) phone - 219/295-1900

Axle & Spring Components			
Flat Rate	Code	Part #	Description
	1	Note: refer above for hub & components	
*	2	4741-8461	spring pad channel m2
0.25	3	4737A1318	shackle bolt
		4741-9498	shackle bolt nut
2.00	4	4741A3398	spring shackle (rear)
0.75	5	4735H22081	leaf spring (4 ply) 3500 lb. axle
2.00	6	4741C3398	spring shackle (front)

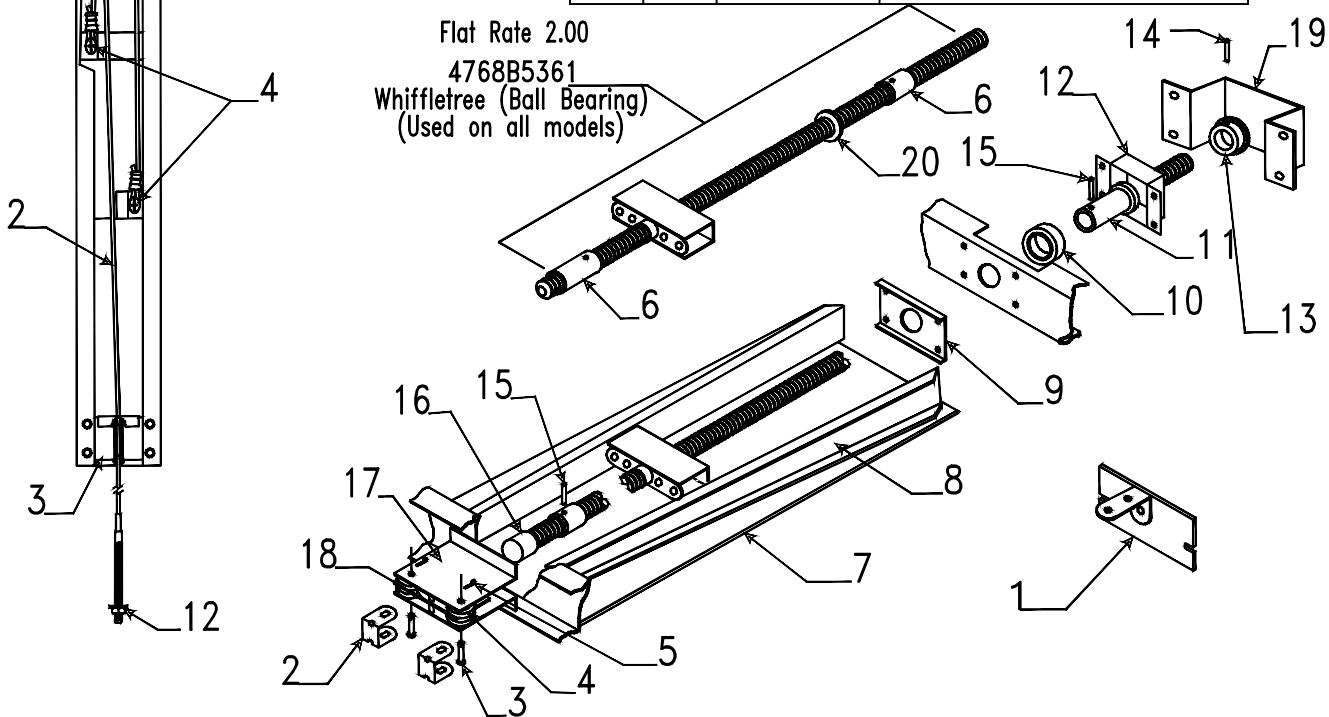
\* PRIOR AUTHORIZATION NEEDED FROM FACTORY

Flat Rate 1.25 Per Lift Assembly  
 4716A0031 lift assembly roadside rear/curbside front (all)  
 4716A0041 lift assembly roadside front/curbside rear (all)

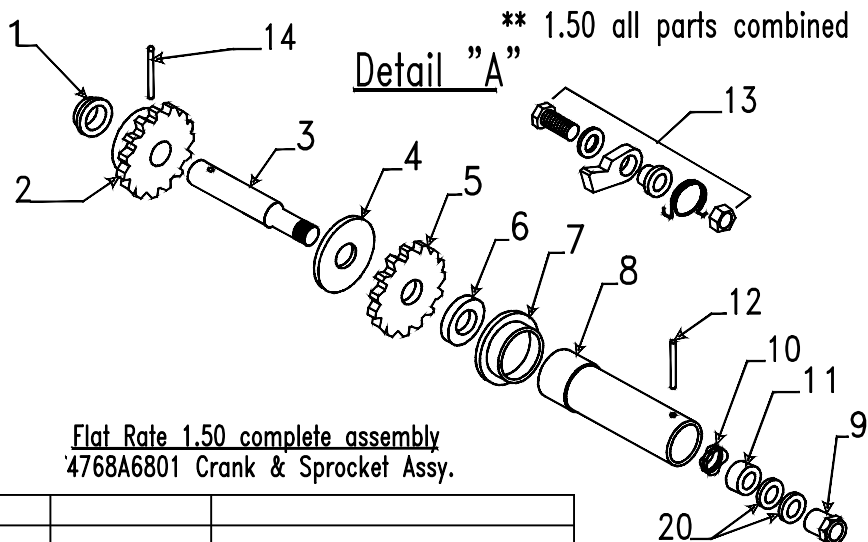
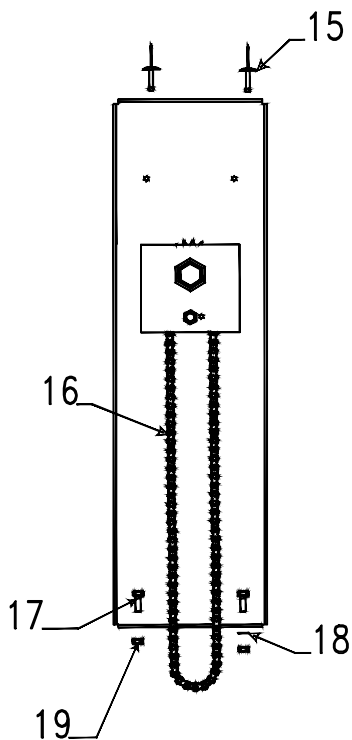
Lift Assembly Component Parts			
Flat Rate	Code	Part #	Description
0.75	1	4720D5271	cable assembly x1 m2
		4720C1691	cable crimp m20
1.25	2	4773A2291	225 3/4" long cable & crimp
		4744-1318	copper cable crimp m10
1.25	3	4731C5801	butterfly bracket assy.
0.05	4	4749-2081	screw m6
0.50	5	4715A5371	steel pulley & bearing m10
0.25	6	4747-8931	long pin x2
		4730B0981	retaining ring m12
0.25	7	4749-4061	short pin m4
		4730B0981	retaining ring m12
0.25	8	4749A2028	retaining clip
0.45	9	4720C1578	lift pin m4
	10	1204B1081	cotter pin m10
	11	1203-8641	rivet m25
	12	1201B6378	1/4" lock nut



Flat Rate 2.00  
 4768B5361  
 Whiffletree (Ball Bearing)  
 (Used on all models)

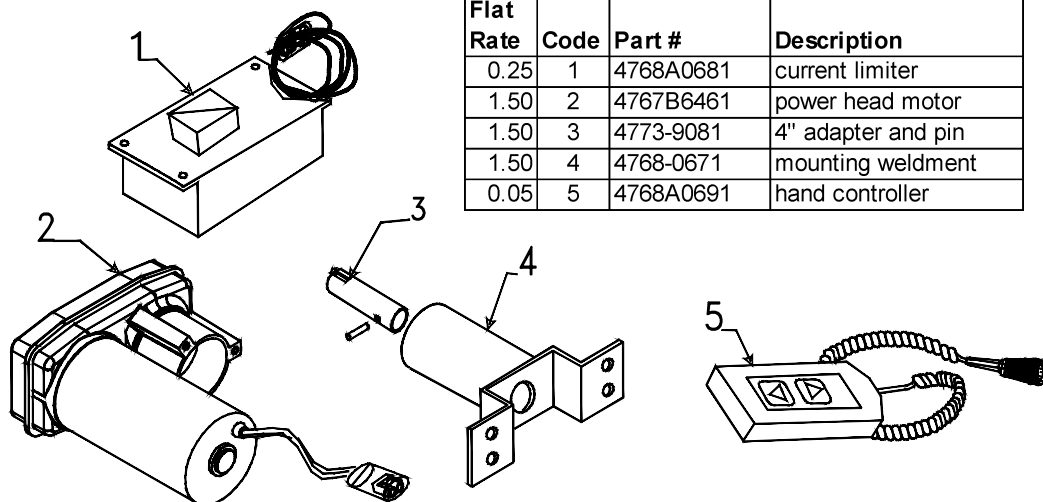


Whiffletree & Related Parts							
Flat Rate	Code	Part #	Description	Flat Rate	Code	Part #	Description
0.15	1	4749A8211	mud flap & brkt	1.50	10	4720C2421	thrust nut bearing
0.50	2	4744B1741	cable retainer x2	1.50	11	4720B2388	thrust nut
0.20	3	4720J1561	long pin m4	1.50	12	4720B2408	bearing housing
0.50	4	4715A5371	pulley & bearing m10	1.00	13	4730C3848	sprocket 12 tooth
0.10	5	1204B1081	cotter pin m10	0.10	14	4720D1481	roll pin m10
1.60	6	4710C4248	bushing 3/4"	1.00	15	4744B1301	shear pin m10
1.60		4773-8808	bushing 2 1/4"	2.00	16	4730D1291	screw socket (welded)(dexter CS0025)
0.25	7	4752D4921	whiffletree pan cover	2.00	17	4720-1551	pulley plate (dexter TCAN0320)
0.25	8	4720F2371	pan cover side (welded)	0.50	18	4720F1541	pulley spacer
0.15	9	4720C2418	plate	0.15	19	4772A3661	chain cover
					20	4755A4011	washer



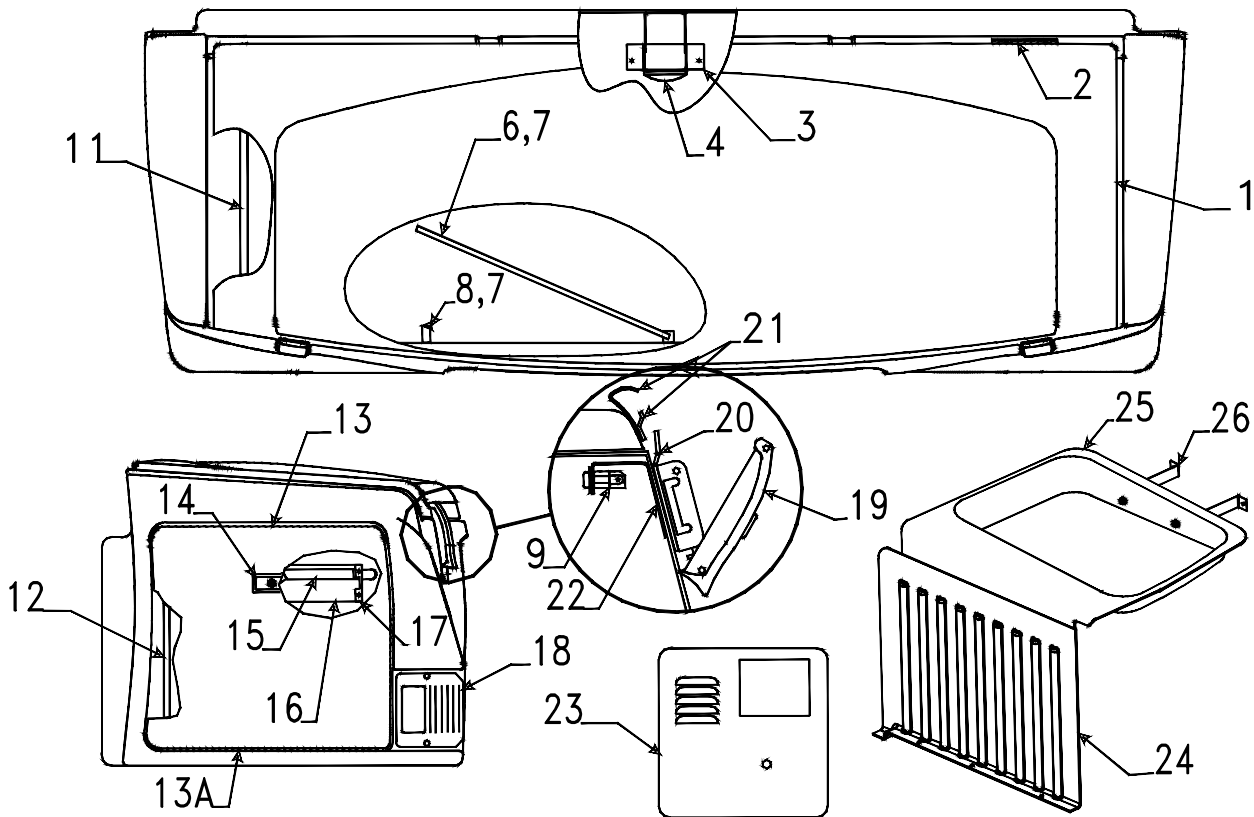
Flat Rate 1.50 complete assembly  
4768A6801 Crank & Sprocket Assy.

Flat Rate	Code	Part #	Description
**	1	4751-3501	shaft bushing
**	2	4730C3858	sprocket 22 tooth
**	3	4751A3521	drive shaft & nut
**	4	4751-3561	pressure plate
**	5	4751-4831	ratchet wheel
**	6	4751-3581	pressure washer
**	7	4751A3591	shaft bushing
0.75	8	4751-6511	drive hub extension pkg.
<b>Note: package includes parts marked w/asterisk (*)</b>			
	9	*4751B3551	5/8" nut
	10	*4752-3921	handle spring m2
	11	*4751-4671	nylon washer
	12	*4747A9451	spiral roll pin m6
0.60	13	4716-1221	ratchet pawl package
	14	4759-0621	1 1/2" shear pin m10
	15	1203C8721	rivet m25
1.50	16	4759-8031	chain (w/connecting link)
		4730A3811	connecting link
	17	4731-3878	hex head bolt x2
	18	1202B0438	washer
	19	1201B6038	hex head nut
**	20	*4757-3938	washer



Power Lift Components			
Flat Rate	Code	Part #	Description
0.25	1	4768A0681	current limiter
1.50	2	4767B6461	power head motor
1.50	3	4773-9081	4" adapter and pin
1.50	4	4768-0671	mounting weldment
0.05	5	4768A0691	hand controller



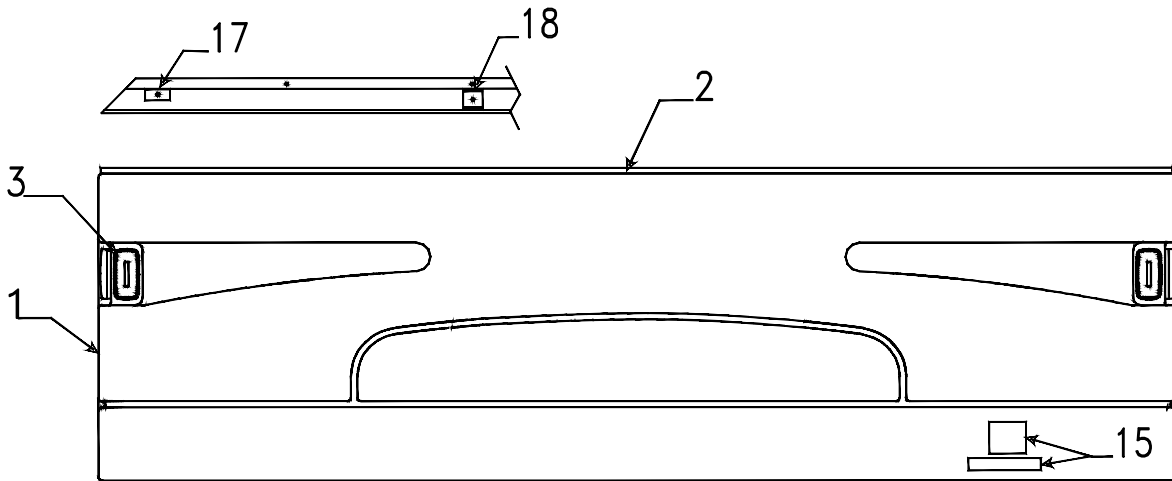


Front Storage Box Assy. - 4496, 4478, 4481

1.25 box replacement, add .75 for water heater

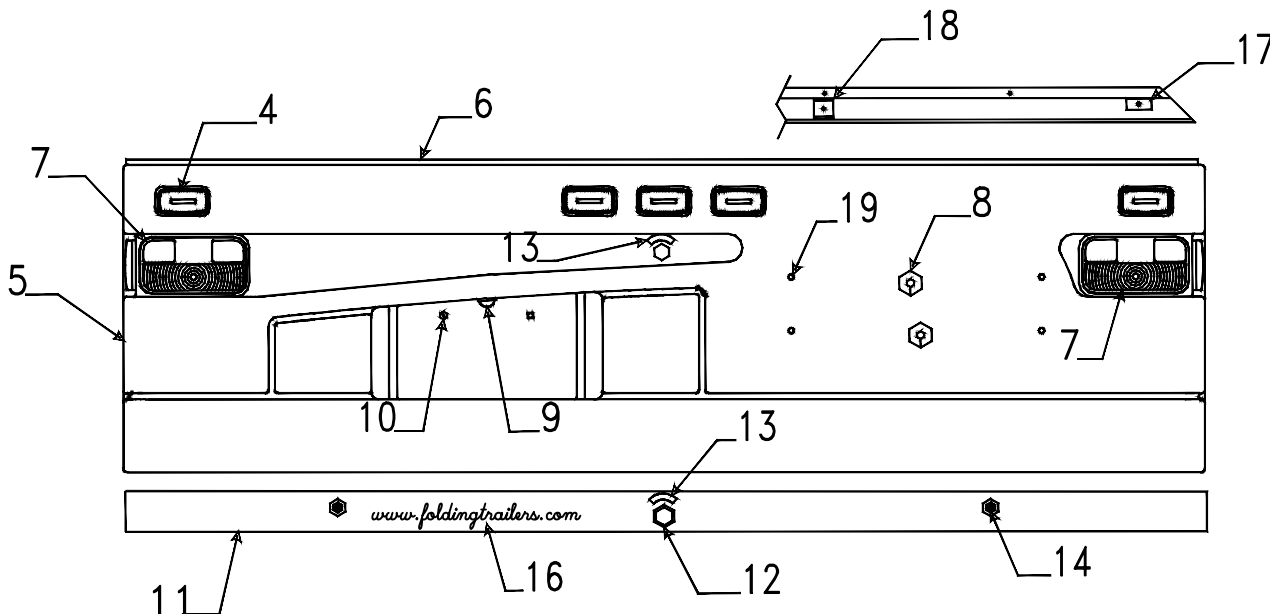
**Storage Box Component Parts**

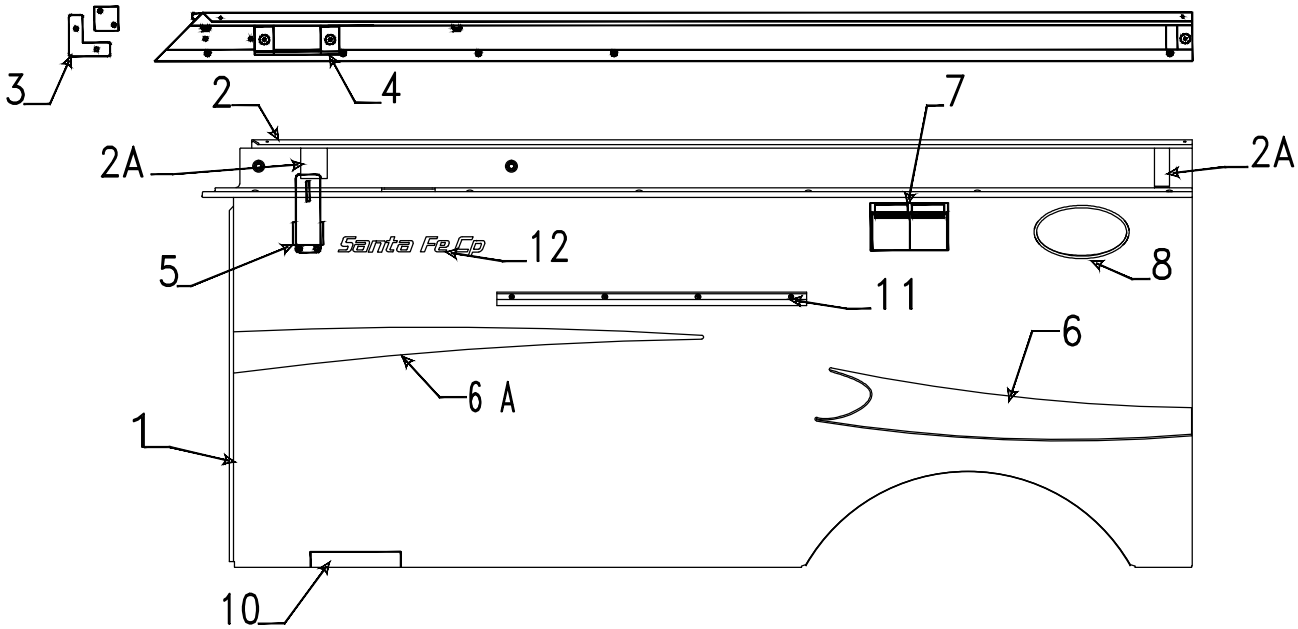
Flat Rate	Code	Part #	Description	Flat Rate	Code	Part #	Description
0.50	1	4758-9861	storage box lid		15	4768-6631	cargo door lock bar assy.
0.20	2	4759B0041	lid hinge x3			1202B1068	fender washer m12
		4759-1711	3/8" ss screw m12		16	4759-0031	cargo door lock pan "black"
		1202E1111	ss washer m12			4747-2558	expansion rivet m25
0.50	3	4769-5001	support post assy.		17	4759-0371	lock pan angles x2 "black"
		1203-8831	rivets m25			1203-8651	rivet m25
0.25	4	4759-1721	cargo light	0.15	18	4759-0261	wraparound marker light amber
		4744C4611	expansion rivet m25			4716-1001	amber lens
	5	4759-0911	drain plug (not shown)			4758-1201	expansion rivet m25
	6	4751B1181	prop rod			4759-1871	1/2" black vinyl seal washer m12
		4751-1208	push nut			4350000028P	butyl tape 6' pc. pkg.
		4751C1191	prop rod bracket	0.15	19	4759-0191	lid latch "locking"
0.10	7	4734-2431	gripper clip m4			<b>Note: lockable latch used in place nonlocking latch</b>	
*	8	4739B2901	snap cap & washer m12		20	4759A0521	lid stop bkr. "black"
	9	4759-0381	cargo light on/off switch			4759-0551	flat head tek screw m12
	10	4060037501P	3/8" convoluted tubing 10' pkg.	0.15	21	4759-0201	lid latch strike
		<b>Note: Tubing covers interior box wire harness</b>				4767-0891	finger pull tab
0.75	11	4060000601P	lid seal pkg. (15' pc.)			4759-0218	strike screw x2
0.20	12	4060000689P	cargo door seal (6' pc. pkg.)			1201B6958	keps nut x2
0.50	13	4758-9851	cargo door (less hardware)		22	4759-0361	switch bracket
0.50	13A	4759A0071	cargo door hinge	0.25	23	4716A1331	water heater door "gray"
		4747-2558	expansion rivet m25	0.30	24	4759A2681	water heater cover side
		4759-1711	3/8" ss screw m12	0.30	25	4759A2671	water heater cover top
0.15	14	4730C3111	cargo door lock w/key		26	4759-2661	water heater cover brkt.
		4759-0531	lock seal			4732-1181	plastic grommet m4
		1032E10168	10-24 x1 ss screw x2			1121C1618	screw x2
		4759-0548	female threaded screw x2				



4716A3931 Frt./Rear Hardware & Decal Kit (F.R. .15)

Front & Rear Body Panel Components							
Flat Rate	Code	Part #	Description	Flat Rate	Code	Part #	Description
1.50	1	4767A2391	front body pnl. 4489, 4491	0.20	7	4749B4321	taillight x2
2.50		4759C0881	frt. body pnl. 4496, 78, 81	0.10		4716A1061	taillight lens
0.75	2	4754D8681	front end rail			4747-2558	expansion rivet m25
		1203-8651	rivet x5 m25	0.10	8	4754-3871	foam gasket m2
		<b>Note: refer to opposite page for storage box body rail</b>		0.15	9	4739B4311	tag light
0.15	3	4714J08481	amber marker light x4	0.05	10	4732-1181	plastic grommet m4
0.10		4716A4571	amber lens (lens only)	0.05		1121C1618	license plate screw x2
0.25		4733H1311	socket & harness	0.30	11	4756F2371	bumper (all except 4489)
		4747-2558	expansion rivet m25	0.30		4759-2261	bumper 4489 only
0.15	4	4714J08581	red marker light x7	0.10	12	4756-9761	2" hole plug
0.10		4716A4561	red lens (lens only)	0.10	13	4730J3188	open decal
		<b>Note: refer to code # 3 for hardware</b>		0.10	14	4714-0391	rear bed leg pin pkg.
2.50	5	4757B1961	rear body pnl. (all)	0.05	15	4759A8488	warning/caution decal
		4741D96568	expansion rivet m25 "white"	0.05		4739F1168	patent decal
0.75	6	4754F8691	rear end rail	0.10	16	4769-9218	www.com decal
		4758-1141	rivet w/rubber washer m25	0.15	17	4754A8491	nylon bed rest & screw
				0.15	18	4754C8921	nylon bed ramp & screw
					19	4767-0171	plastic hole plug m4

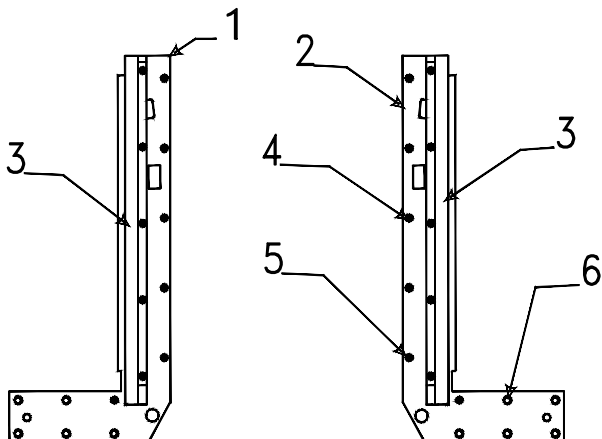




4716D3941 Curbside Decal Swoosh Hardware Kit

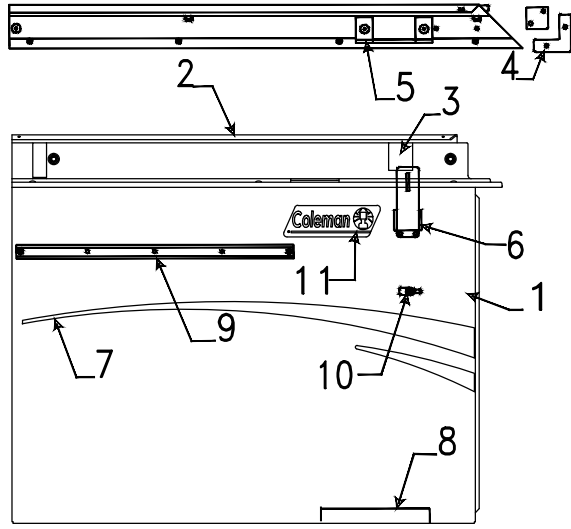
**Curbside Right Rear Body Pnl. & Components**

Flat Rate	Code	Part #	Description	Flat Rate	Code	Part #	Description
1.00	1	4757L3071	*csr body panel 4489 Santa Fe	0.25	7	4746A3861	duplex cover & outlet
1.00		4757K9631	csr body panel 4496 Cheyenne	0.35		4746-3871	duplex box
1.00		4754P9701	csr body panel 4491 Sun Valley			1203-8678	rivet m25 (rivet box to pnl.)
1.00		4759J1371	csr body panel 4481 Utah	0.25	8	4752B9921	porch light
1.00		4702B4381	csr body panel 4478 Bayside	0.10		4716A5511	porch light lens "amber"
1.00	2	4757D3081	csr body rail 4489 Santa Fe		9		
1.00		4757C9661	csr body rail 4496 Cheyenne		10	4060050008P	foam tape(12' pkg.)
1.00		4754F9511	csr body rail 4491 Sun Valley	0.25	11	4767-3921	stove hanger bracket
1.00		4767C3151	csr body rail 4481, 4478			4745-3968	screw
1.00	2A	4716-2771	vel-stick body rail pkg.	0.15		4744C2461	torx screw m2
0.10	3	4716-7061	inner/outer miter cover pkg.m4			1201B6958	nut x2
0.15			<b>Note: pkg. Includes rivets</b>	0.25	12	4749T443A8	Santa Fe name decal
	4	4734F4121	lift trim, rivets & gasket pkg. m4	0.25		4751P065A8	Cheyenne name decal
0.25		4733-3398	nylon flange bushing x2 per trim	0.25		4756H349A8	Bayside name decal
	5	4741C6041	top latch w/out lock tab	0.25		4757F814A8	Sun Valley name decal
0.15		4749-4848	foam pad	0.25		4755H473A8	Utah name decal
	6	4769-8571	csr swoosh	0.25		4755H481A8	CP decal
	6A	4768-8581	cs middle swoosh				

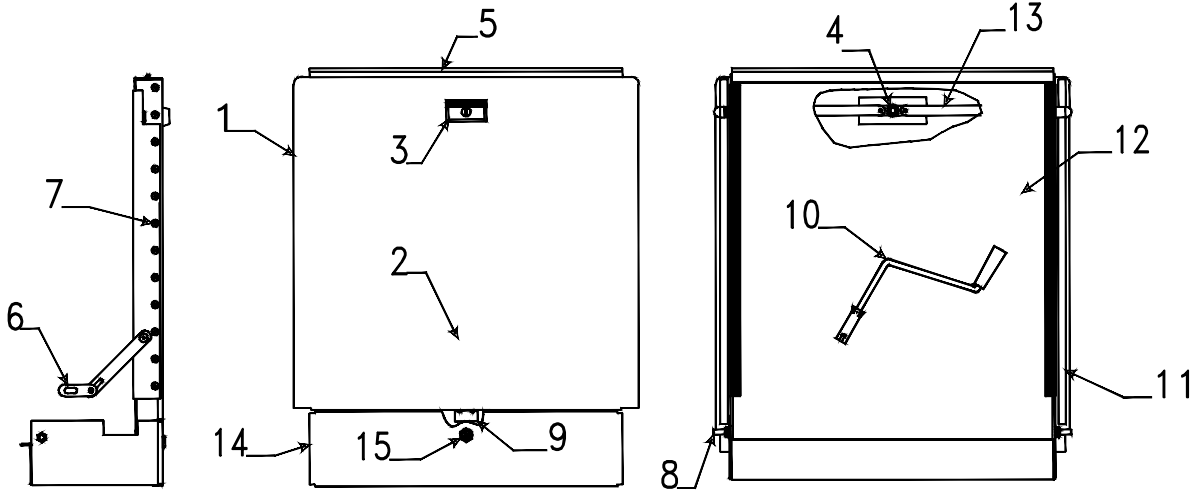


**Access Door Bulkheads & Components**

Flat Rate	Code	Part #	Description
1.25	1	4768C6821	csf bulkhead (all)
1.25	2	4768C6831	csr bulkhead (all)
0.35	3	4745D0811	rubber door seal
	4	1203-8641	rivet m25
	5	1203-8978	countersunk rivet m25
	6	4744A0501	hex head tek screw m25



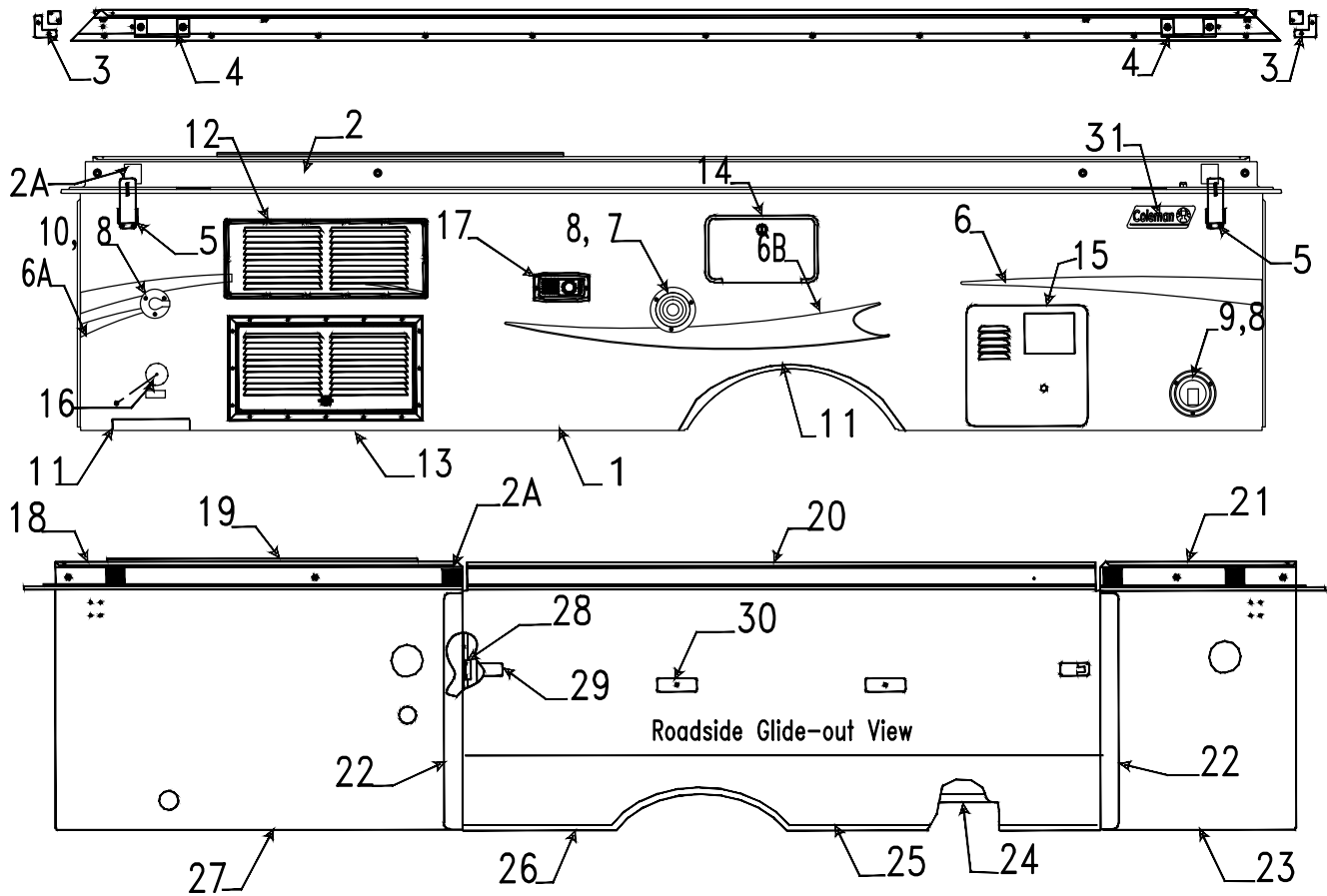
4716D3941 Curbside Trim Tape/Hardware Kit			
Curbside Right Front Body Pnl. & Components			
Flat Rate	Code	Part #	Description
0.85	1	4757H3111	csf body panel 4489 Santa Fe
0.85		4759D0731	csf body panel 4496 Cheyenne
0.85		4756H9281	csf body panel 4491 Sun Valley
0.85		4756G4361	csf body panel 4478, 4481
1	2	4757G3121	csf body rail 4489 Santa Fe
1		4757C9651	csf body rail 4496 Cheyenne
1		4767C3141	csf body rail 4478, 4481
1		4754G9501	csf body rail 4491 Sun Valley
0.1	3	4716-2771	vel-stick body rail pkg.
0.15	4	4716-7061	inner/outer miter cover pkg. m4
0.25	5	4734F4121	lift trim, rivets & gasket pkg. m4
		4733-3398	nylon flange bushing x2 per trim
0.15	6	4741C6041	top latch w/out lock tab
		4749-4848	foam pad
0.5	7	4769-8561	csf swoosh
	8	4060050008P	1/2" X1" foam tape pkg (12 pc)
0.25	9	4767-3921	stove hanger bracket
		4745-3968	screw
		4744C2461	torx screw m2
		1201B6958	nut x2
0.15	10	4738-3941	turn button & rivet
		1203-8831	rivet m25
	11	4769-9228	coleman decal red



4757A7131 Access Door Assembly "complete" less trim tape

FLAT RATE 1.25 complete door assembly

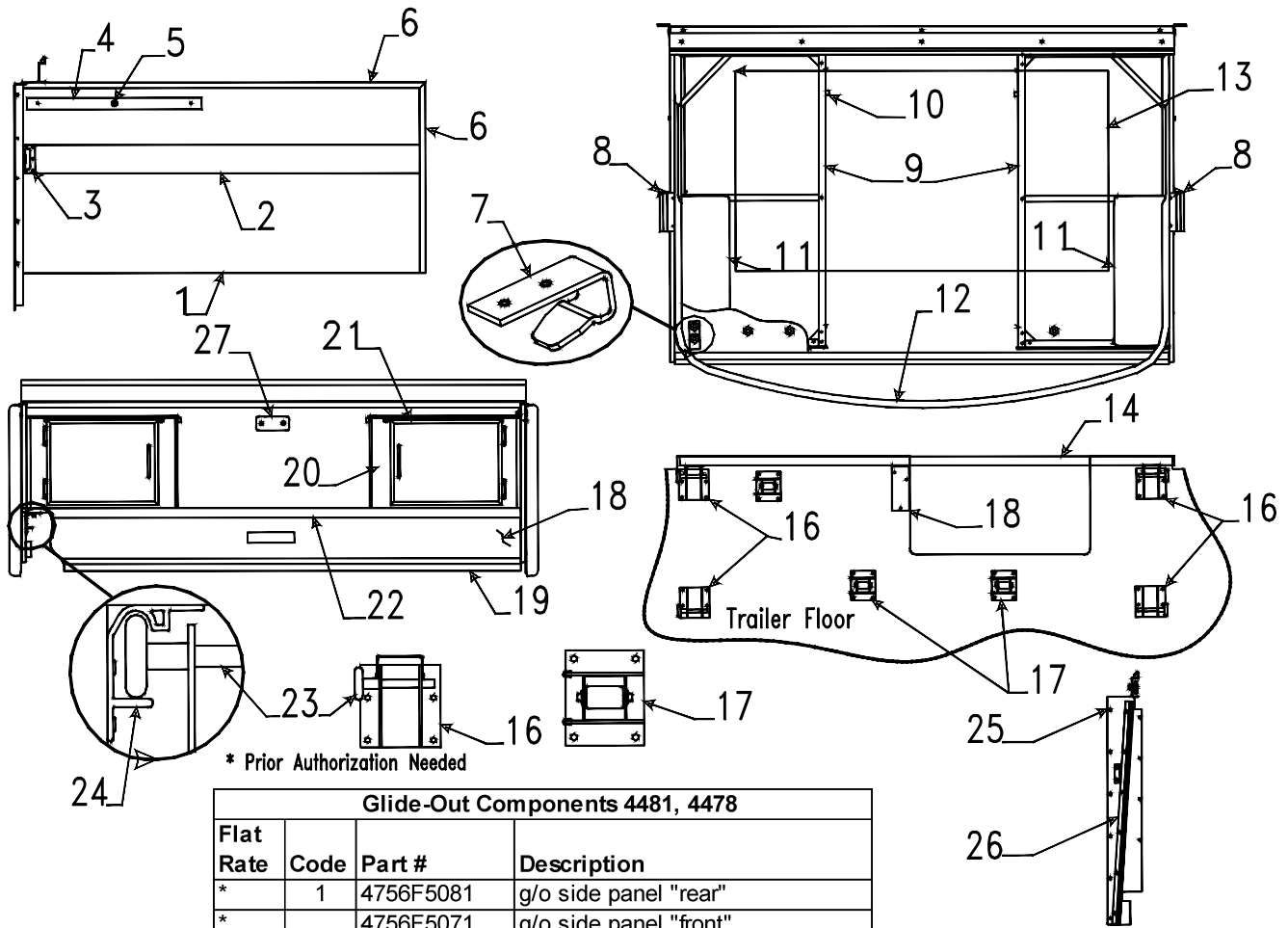
Access Door Component Parts							
Flat Rate	Code	Part #	Description	Flat Rate	Code	Part #	Description
1.00	1	4759B0661	door skin		8	1006B2428	bolt x2
	2	4716D3941	curbside decal kit swoosh			1201B5188	nut (to affix bolt to door)
1.00	3	4730C3111	lock handle (with key)			1201B6448	nut (affix door to trailer)
		4716-081	screw x2			1202B0468	washer m10
		1201B6958	keps nut x2	0.10	9	4747A2521	latch angle w/rivets
1.00	4	4741-1438	reinforcement plate		10	4747G4141	crank handle
0.25	5	4731E2331	access door cap	0.20	11	4060025006P	foam tape pkg. (4' pc.)
		1203-8651	rivet m25	1.00	12	4758B4711	step covering "black flextrud"
0.15	6	4744-6981	swing arm pkg. (w/rivet & washer)	1.00	13	4741A6551	lock bar assembly
		1203C8721	rivet m25	0.25	14	4754-6921	lower dr. w/hinges - less lock
		1202B0468	washer m10			1203-8951	rivet m25 (affix door in place)
	7	4733G0601	rivet "black" m25	0.25	15	4751D8301	lock assembly w/o-ring



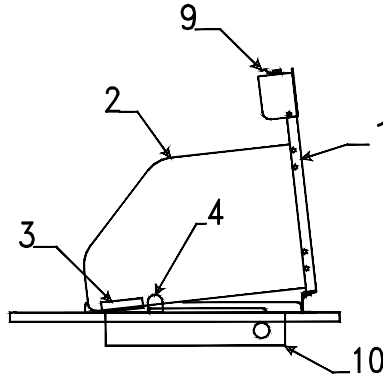
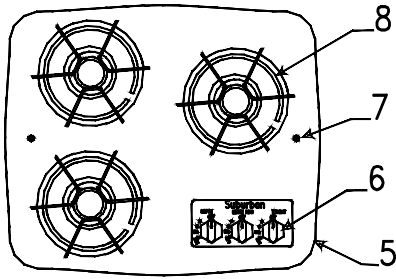
\* Add .50 For Heater Vent |1.00 For Refrigerator |50 For Hot Water Heater

4716D3951 Roadside Decal Kit Swoosh

Roadside Left Body Panel & Components							
Flat Rate	Code	Part #	Description	Flat Rate	Code	Part #	Description
*2.00	1	4757P3091	left side body pnl. 4489	0.25	15	4716-1331	water heater door
*2.00		4759D0721	left side body pnl. 4496	0.10	16	4714A2861	drain cap & strap
*2.00		4754U2141	left side body pnl. 4491	0.10	17	4741C9471	8" furnace vent
3.00	2	4757D9641	body rail 4489, 4496	1.00	18	4767B3271	left frt body rail (all)
3.00		4767D3161	body rail 4491	0.10	19	4737B2211	curtain track
0.10	2A	4716-2771	vel-stick body rail pkg.	0.75	20	4756A9951	glide-out body rail
		4757-0731	wire grommet & nut	1.00	21	4767B3241	left rr body rail (all)
0.15	3	4716-7061	miter cover/rivet pkg. M4			4757-0731	wire grommet & nut.
0.25	4	4734F4121	lift trim/gasket pkg m4	0.25	22	4716A8041	angle seal pkg. fr./rr
0.15	5	4741C6041	top latch w/lock tab			4060000023P	d-seal "white" (5' pc.)
		4749-4848	foam pad	1.50	23	4767D3191	left rr pnl 4481
0.50	6	4769-8601	rsr swoosh	1.50		4757J9161	left rr body pnl 4478
0.50	6A	4769-8591	rsf swoosh	0.20	24	4756-2651	L-channel 48" pc
0.50	6B	4769-8611	rsr swoosh	1.25	25	4757C5601	g/o cover plate "black"
0.30	7	4731D1711	water tank spout	1.00	26	4756H6641	g/o body panel (all)
	8	4741A9101	hex head tek screw x3	1.50	27	4757J0961	lt. frt pnl 4478,81
0.15	9	4733B23361	cable hatch	0.75	28	4756A4171	strike w/screws
0.30	10	4732F1521	city fill			4756-3251	shim
	11	4060050008P	1/2" x 1" foam tape(12' pc.)	0.75	29	4755-4091	latch & gasket
0.50	12	4747D8321	refrigerator vent "upper"	0.75	30	4756-1181	pull handle
		4745-3968	painted screw arctic wht.			4738-2608	tek screw "black"
0.50	13	4747D8331	reefer vent hinged "lower"		31	4769-9221	coleman decal (red)
0.25	14	4750C5861	o/s shower complete				
		4716-7511	key Ch751 m2				
0.15		4750A2961	lock assy. w/key				

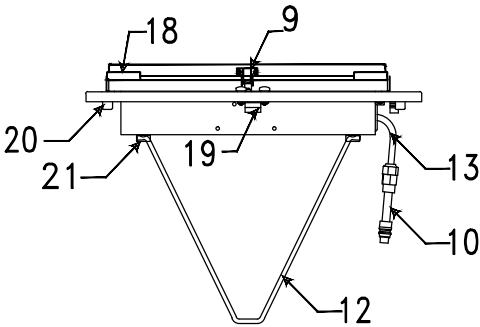
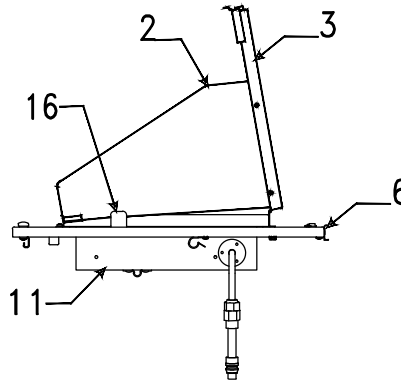
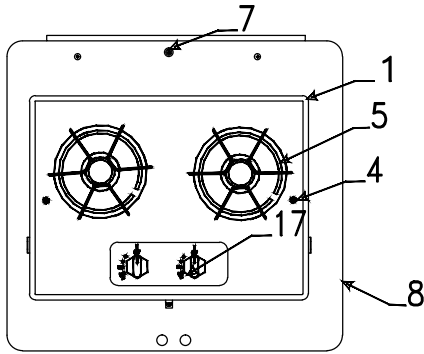


Glide-Out Components 4481, 4478			
Flat Rate	Code	Part #	Description
*	1	4756F5081	g/o side panel "rear"
*		4756F5071	g/o side panel "front"
0.50	2	4756-8471	ABS ware strip x2
0.15	3	4756-2171	lock boot w/cover plate x2
0.25	4	4754-3811	vel-stick (must cut to size)
	5	4730A3548	stud w/screw x2
0.20	6	4756C1461	9/16" U-channel 48" pc.
0.50	7	4756-1201	glide-out catch x2
0.10	8	4756A1151	5 1/2" brush seal x2
	9	4759B6021	glide-out bench frames x2
	10	4724-2608	stop button "plastic"
0.40	11	4756C6131	metal flip-up backrest x2
0.10	12	4756C2071	glide-out tent bow
1.25	13	3568803202P	ware plate "galvanized" 30 x 55
1.25	14	4757C5601	g/o cover plate assy. "black"
	15	4756A1361	cover support brkt. x1
1.25	16	4756C6591	outer tower x4
1.25	17	4756-6651	inner tower roller assy. x3
0.25	18	4756D6041	wood kick plate assy.
0.50	19	4757A2351	floor sweep
0.50	20	6010415696P	universal paneling
0.15	21	4758B3131	door panel 10" x 14 1/4"
0.50	22	4773-2091	71" edge cap "brown"
0.75	23	4756-1161	glide-out roller x4
	24	4756A1251	glide-out roller track x2
1.65	25	4759D5031	g/o bulkhead left front
1.65		4759D5041	g/o bulkhead left rear
0.35	26	4756A3521	rsf g/o seal track
0.35		4756A3511	rsr g/o seal track
0.25		4064700589P	sweep seal "black" (8' pc. pkg.)
0.25	27	4754B0901	table rest block "plastic"



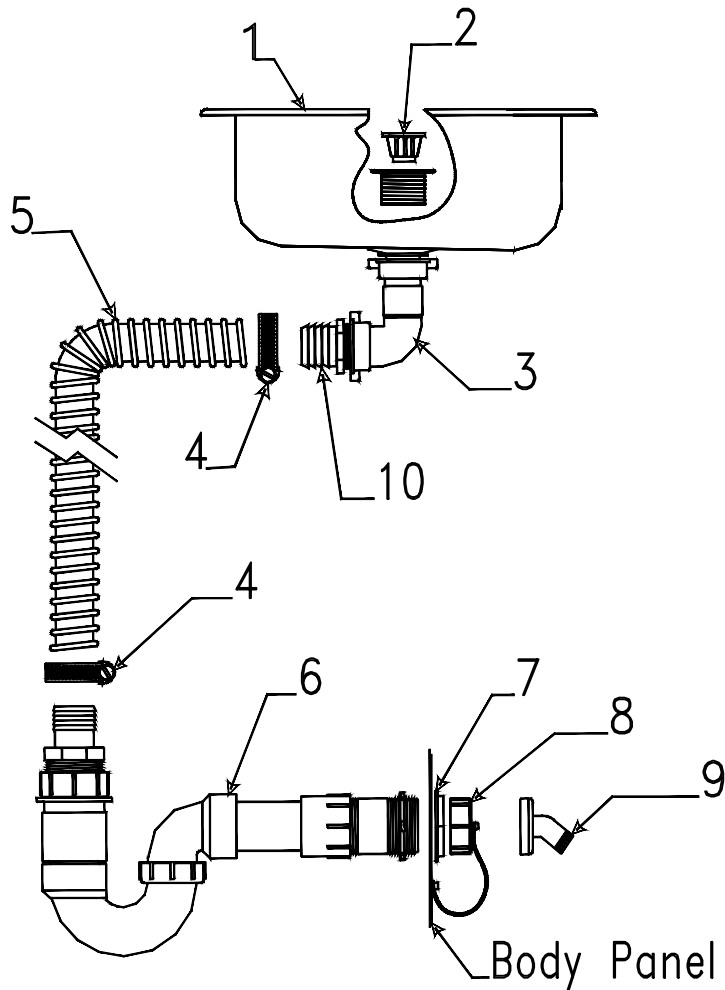
Flat Stove Component Parts (Upper Galley Assy.'s)

Rate	Code	Part #	Description
0.15	1	4758B1601	stove cover assy. "black"
	2	<b>ITEM NOT SOLD SEPARATELY</b>	
0.05	3	4732A2291	edge molding m2
0.15	4	4773-4691	stove fin stay brkt. m2
0.15	5	4763A1461	3 burner cook top "black"
0.05	6	4716B1861	knob m3
0.05	7	4716A2631	stove top screw/washer m2
0.05	8	4752B9881	stove grate x3
0.15	9	4733-4018	stove cover latch
0.15		4733-4028	stove cover strike
0.75	10	4739K2931	3 burner stove box



L.P. STOVE ASSY. COMPLETE - 4768-7601 4489,91,96

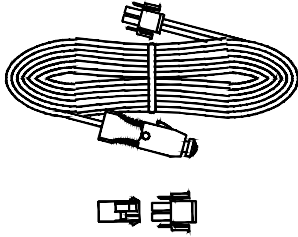
L.P. CARRY OUT STOVE ASSY			
Flat Rate	Code	Part #	Description
0.15	1	4701A1201	2 burner cook top (suburban)
	2	<b>Note: Item not sold separately</b>	
0.15	3	4701A1191	stove cover assy.
0.05	4	4716-2631	screw/washer m2
0.05	5	4752A9881	grate x2
0.35	6	4754A0471	stove hanger brkt.
0.15	7	4730A3548	stud
0.6	8	4768A2801	metal counter top (suburban)
0.15	9	4733-4018	latch
0.15		4733-4028	latch strike
0.25	10	4716-7131	gas hose
0.75	11	4748F2581	2 burner stove box (suburban)
0.25	12	4748A2731	stove support
0.15	13	4768A5441	gas line
0.1	14	4716-4591	screw & weld pin m4
0.15	15	4744D2648	h.p. decal
0.15	16	4773-4691	fin stay brkt. M2
0.15	17	4716B1861	stove knob (suburban) m3
0.05	18	4732A2291	edge molding m2
	19	4754A08861	stove strike
	20	4724-2608	recessed bumper
	21	4740A1891	support bracket



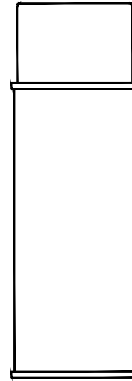
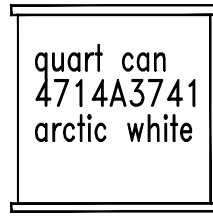
Sink & Component parts			
Flat Rate	Code	Part #	Description
0.80	1	4768-1831	sink "black acrylic"
0.05	2	4714C0661	crumb cup "only" (wht. threaded)
0.25		4730E3151	crumb cup & basket
0.40	3	4757-0861	elbow, nut & washer
0.40		4757A9131	black rubber washer
0.15	4	4715-4501	1 1/4" hose clamp
0.80	5	4060012503P	1 1/4" drain hose pkg. (10' pc.)
		<b>Note: must cut hose to length</b>	
0.75	6	4758F5431	drain trap assy. (all except 4489)
0.75		4759C5411	drain trap assy. 4489 Santa Fe
0.50	7	4757-9251	1 1/2" metal nut "white"
0.10	8	4714A2861	cap & strap
	9	4737-9138	drain adapter
0.40	10	4757A0871	adaptor 1 1/4" barb



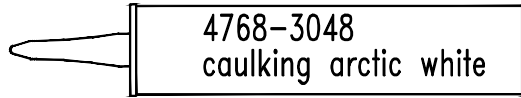
4733D6701 auto extension



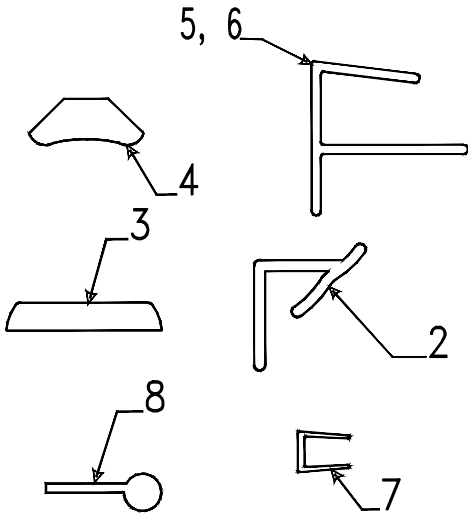
4716A4701 12 volt cap & plug m2



16 oz. spray  
 0008-2561 arctic white  
 0008-2571 black  
 0008-2641 black textured  
 0008-2701 summit ash

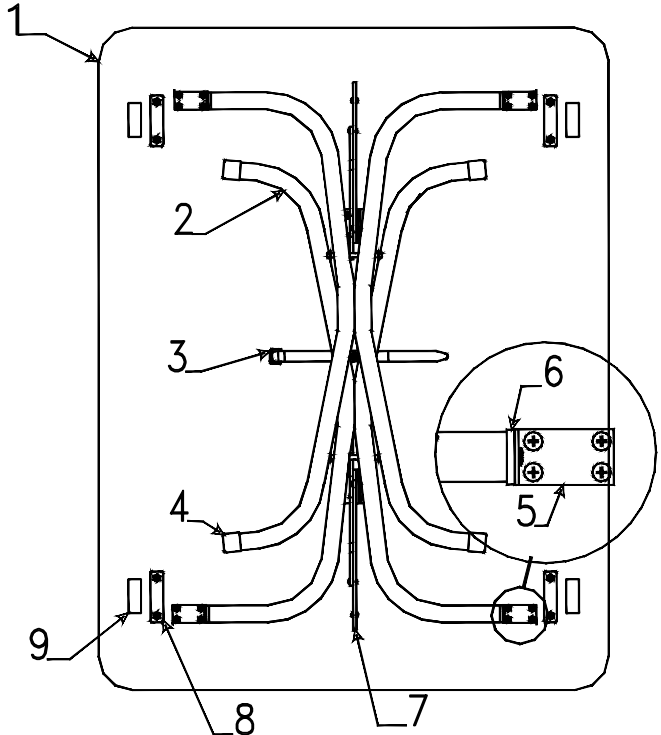


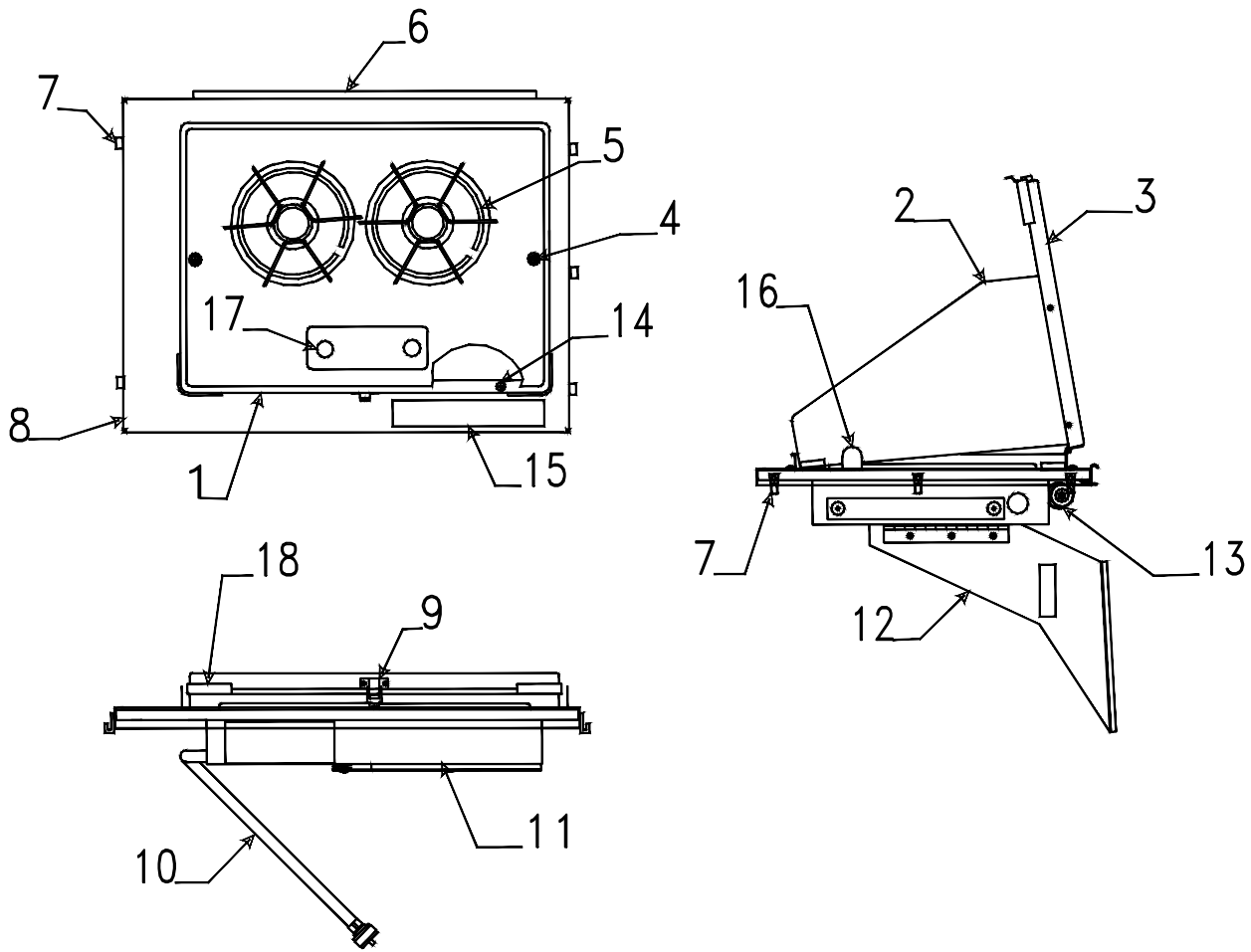
\* Prior Authorization Needed



Paneling & Trim (Must Cut To Size)			
Flat Rate	Code	Part #	Description
*	1	6010415696P	woodgrain luan panel (summit ash) 48" x 48"
*	2	4060400379P	plastic corner divider (summit ash) 48" pc.
*	3	4066500069P	wood batten strip (summit ash) 48" pc.
*	4	4060475011P	wood inside corner (summit ash) 48" pc.
*	5	4060115605P	5/32" F-channel woodgrain 48" (summit ash)
*	6	4060137505P	3/8" F-channel woodgrain 48" (summit ash)
	7	4060015604P	5/32" U-channel 48" (summit ash)
		4060095603P	3/8" U-channel 48" (summit ash)
		4756C1461	9/16" U-channel 48" (summit ash)
	8	4060000031P	sponge gimp 3/16" (21' pc. pkg.) brown
		4350500005P	1" wood grain tape (summit ash) 150' roll
*	9	6019637596P	woodgrain 3/8 mdf panel (summit ash) 48" x 48"

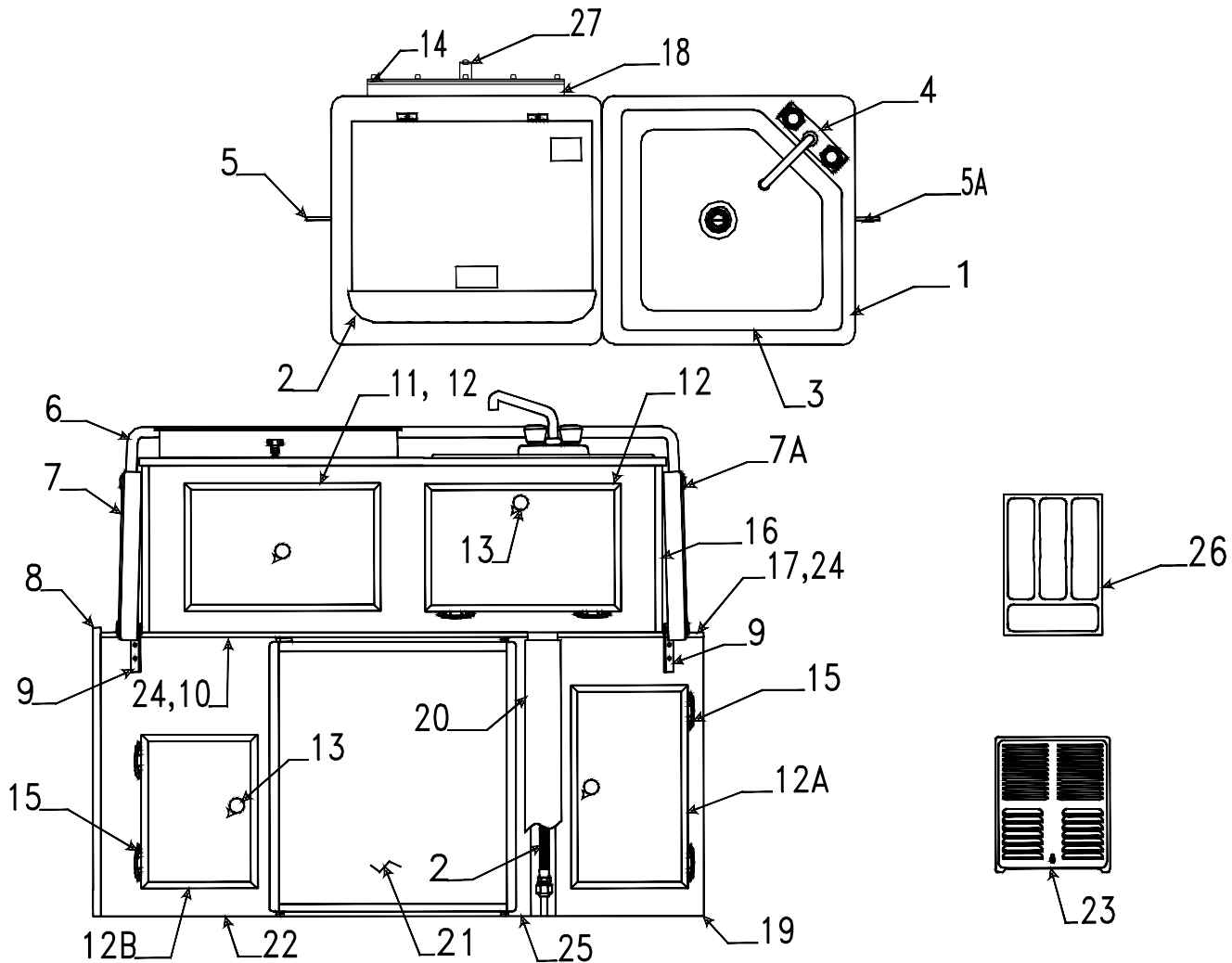
Dinette Table Assembly Components			
Flat Rate	Code	Part #	Description
0.50	1	4759B4361	table top (39" x 30")
0.50	2	4745K5271	table leg package
<b>Note: pkg. includes 2 legs &amp; required mounting hardware</b>			
0.10	3	4751A9711	strap & screw pkg.
0.10	4	4752-0551	white plastic cap m2
0.15	5	4720H1211	table leg mounting brace m2
		1103E1018	5/8" wood screw
0.15	6	4752A0561	table leg insert cap m2
		4747-2558	expansion rivet m25
0.25	7	4744-6971	lock brace assy. x2
		1103E1018	5/8" wood screw
0.15	8	4756-8741	table top plastic spacer m4
		1103B08148	7/8" screw (x2 per spacer)
0.05	9	4724D2631	velcro fastener m4





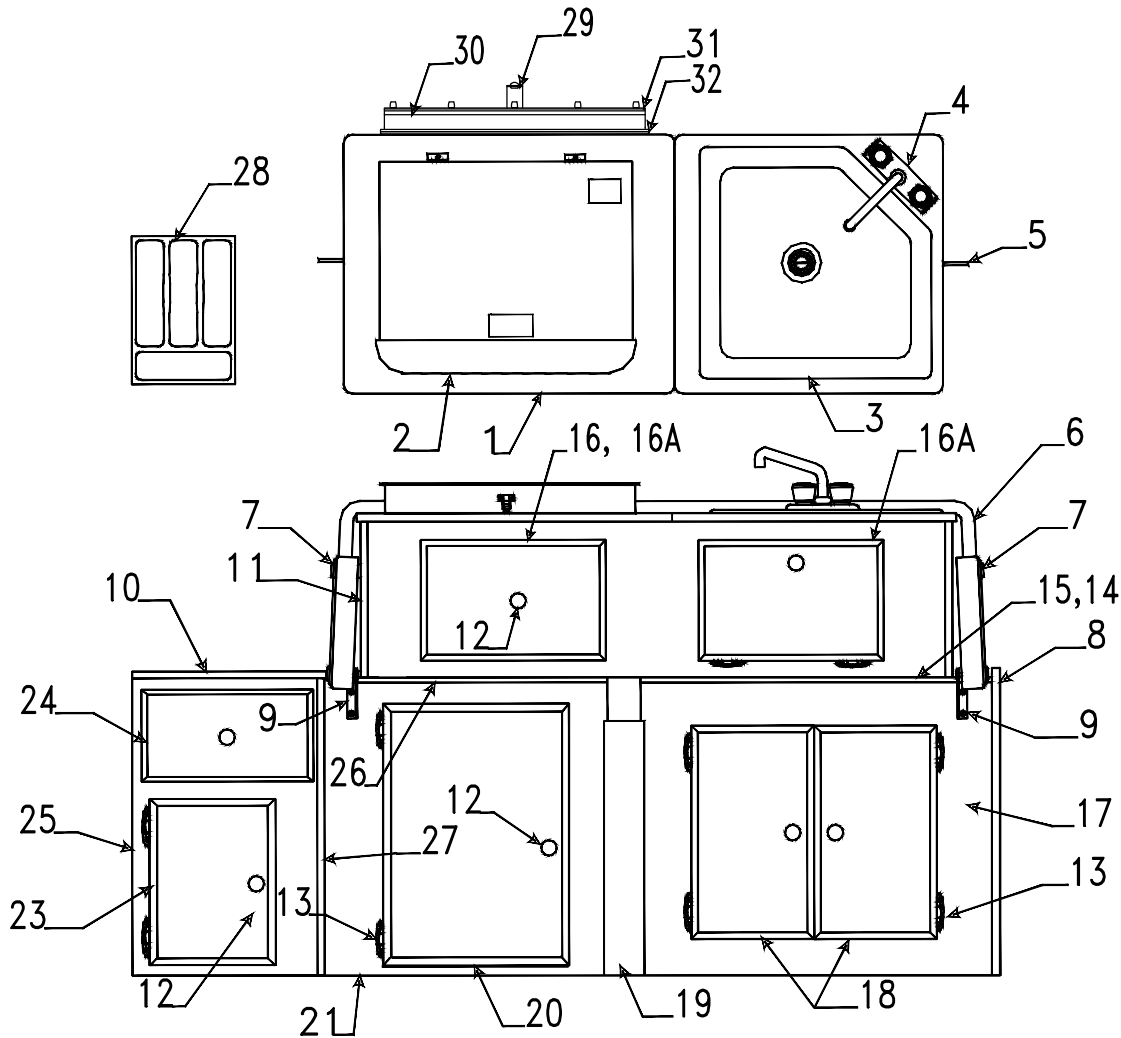
H.P. STOVE ASSY. COMPLETE - 4767D5891  
 Vinyl Stove Storage Pouch (4752D6601)

Outside H.P. Stove Components			
Flat Rate	Code	Part #	Description
0.15	1	4773-9411	2 burner cook top (suburban)
	2	<b>Note: Item not sold separately</b>	
0.15	3	4773-9251	stove cover assy.
0.05	4	4716-2631	screw/washer m2
0.05	5	4752A9881	grate x2
0.35	6	4754C0471	stove hanger brkt.
0.15	7	4720E4021	lashing hook m6
0.6	8	4758K1971	metal counter top (suburban)
0.15	9	4733-4018	latch
0.15		4733-4028	latch strike
0.25	10	4746B9891	gas hose
0.75	11	4773-9241	2 burner stove box (suburban)
0.25	12	4767A5561	outside stove flap
0.15	13	4734-2431	gripper clip m4
0.1	14	4716-4591	screw & weld pin m4
0.15	15	4742-9538	h.p. decal
0.15	16	4773-4691	fin stay brkt.m2
0.15	17	4716B1861	stove knob (suburban) m3
0.05	18	4732A2291	edge molding m2



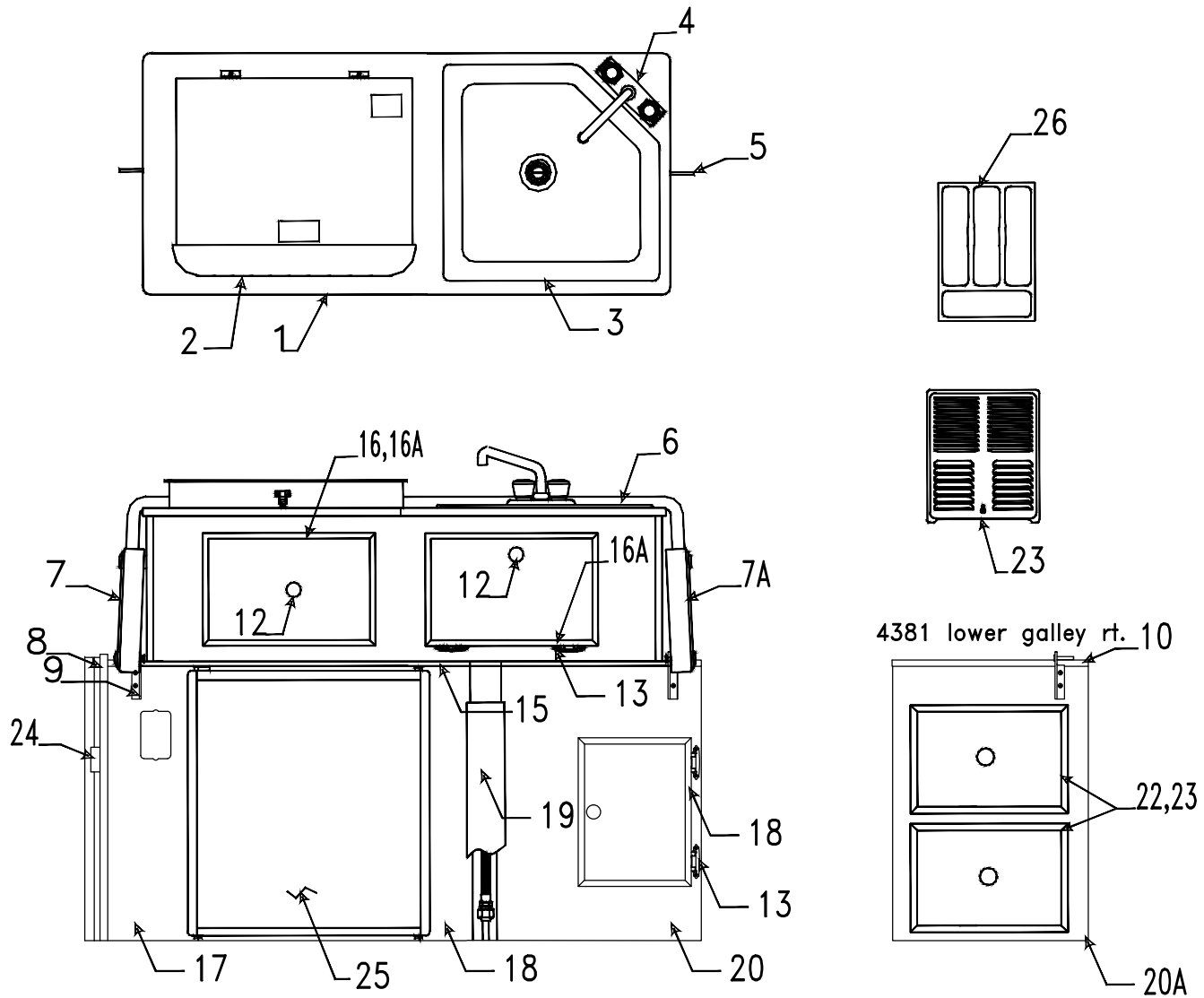
Upper/Lower Galley 4489, 4496

Flat Rate	Code	Part #	Description	Flat Rate	Code	Part #	Description
1.25	1	4768A2811	galley top sink	0.15	11	4702-5801	drawer assy.(all)
	2	<b>Note: refer to page 12 for stove components</b>				<b>Note: refer to page 20 for drawer components</b>	
0.80	3	4768-1831	sink "black acrylic"	0.15	12	4768-2781	door/drawer pnl. 14 1/4" x 9"
			<b>Note: refer to page 13 for sink components</b>	0.15		4733-6391	latch & strike pkg.
1.00	4	4745E2741	mixer faucet	0.15	12A	4767A4771	door panel 8 3/4" x 16 3/4"
0.75	5	4752A9271	upper galley pivot brkt.	0.15	12B	4758B4041	door panel 12" x 9 1/8"
	5A	4756A6631	upper galley pivot brkt.	0.10	13	4748C3951	door pull w/screws
		4744D4601	rivet "elm" m25		14	4750A8481	stove support
1.00	6	4756H1511	galley lift bar	0.10	15	4762-4878	hinge
		4744-6321	galley bar chain assy. x2	0.65	16	4060137505P	3/8" f-channel 48" pc.
		4737B9238	upper 12 tooth sprocket	1.00	17	4767C2191	lower galley top rt.
		4737A9238	lower 12 tooth sprocket		18	4754-0461	stove support bracket
0.15	7	4757D1941	chain cover lt. "plastic"	1.00	19	4757B4961	lower galley ft. rt.
0.15	7A	4757D1951	chain cover rt. "plastic"	0.25	20	4750J6731	filler assembly
0.75	8	*4758C0871	seat gazoodi	0.50	21	6010415696P	reefer door wood insert
0.30		4060400093P	lipped t-molding 12' pc. pkg.	0.75	22	4767B2181	lower galley ft. lt.
0.60	9	4716B1821	lower galley brkt. pkg.	0.10	23	4743-3551	furnace grill
1.00	10	*4758D8421	lower galley top lt. 4489, 4496	0.10	24	4060175001P	edge trim wood grain 6' pc.
0.20		4746C0971	kill switch m4	0.75	25	6019637596P	lower galley ft. sm 48" X48"
0.20		4733C4981	rocker switch (elec. pump)	0.05	26	4755-4481	cutlery tray
					27	4753-9381	safety strap



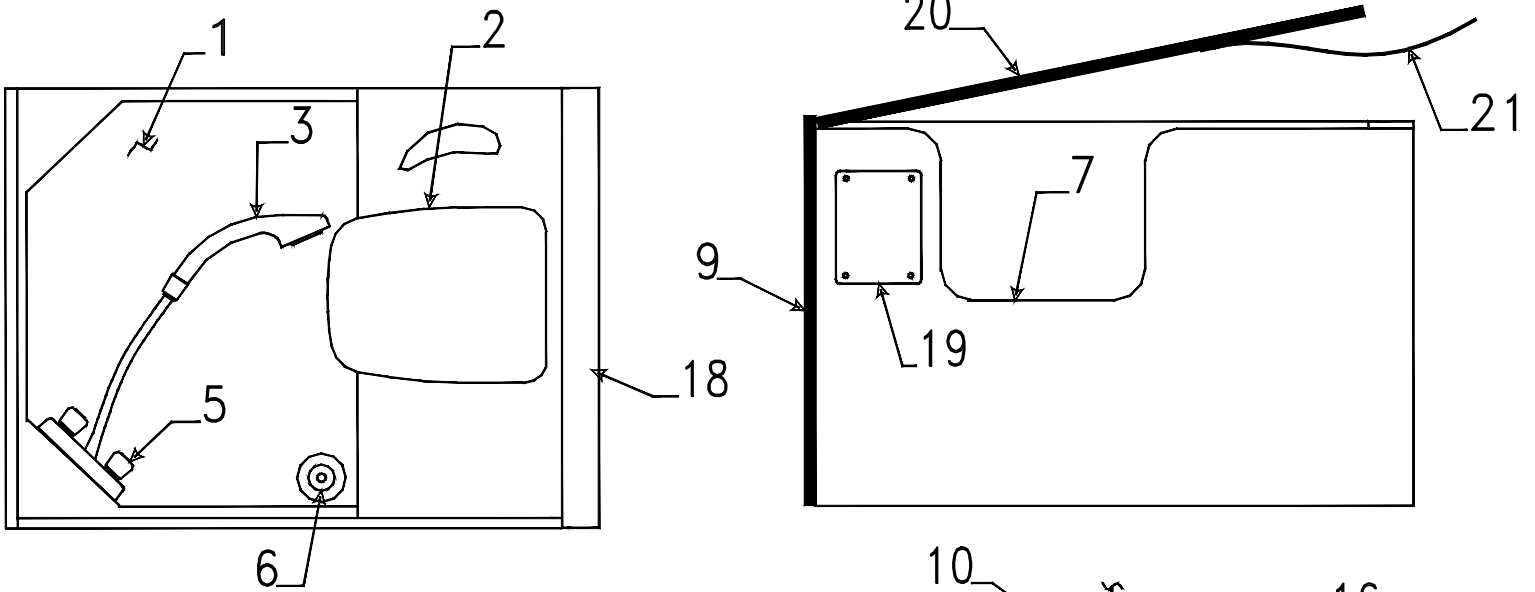
\* Add .50 with furnace

Upper/Lower Galley - 4491 Sun Valley							
Flat Rate	Code	Part #	Description	Flat Rate	Code	Part #	Description
2	1	4768A2831	galley top sink	0.15	16	4768-76361	drawer assy.
	2	<b>Note: refer to page 12 for stove components</b>		0.15	16A	4768-2781	dr/drawer pnl. 14 1/4" x 9"
0.8	3	4768-1831	sink "black porcelain"	1	17	4757F8161	lower galley front rt.
		<b>Note: refer to page 13 for sink components</b>		0.15	18	4767A4771	door pnl. 8 3/4" x 16 3/4"
1	4	4745E2741	mixer faucet	0.25	19	4750J6731	filler assembly
0.75	5	4752A9271	galley pivot brkt. (lt. & rt.)	0.15	20	4758B3061	dr. panel 18 1/2" x 12"
		4744D4601	rivet "brown" m25	0.15		4733-6391	latch & strike pkg.
1	6	4756D4071	galley lift bar	1	21	4767B4051	lower galley front lt.
		4757-6341	chain assy x2 per bar		22		
0.15	7	4757D1911	plastic chain cover (left)	0.15	23	4758B4041	door assy. 12" x 9 1/8"
0.15		4757D1921	plastic chain cover (right)	0.15	24	4767A3201	drawer pnl. 13" x 8"
0.75	8	4767A2471	seat gazoodi	0.1		4767B69861	drawer assy.
0.3		406040093P	lipped t-molding 12' pc. pkg.	<b>Note: refer to page 22 for drawer components</b>			
0.6	9	4716B1821	lower galley brkt. pkg.	0.75	*25	4767C4061	cabinet front
1	10	4767B4081	cabinet top	0.75	26	6019637596P	lower galley top lt. 48"x48"
0.1		4747-8941	black plastic cap m2	0.75	27	4767A4071	cabinet side panel
0.65	11	4060137505P	3/8" f-channel 24"pc.	0.05	28	4755-4481	cutlery tray
0.1	12	4748C3951	door pull w/screws		29	4753-9381	safety strap
0.1	13	4762-4878	hinge		30	4750A8481	stove support
0.1	14	4060175000P	1/2" x 3/4" trim angle 6' pc.		31	4754-0461	stove support bracket
1	15	4767D2461	lower galley top rt.		32	6010415696P	wood pnl 48"x48"
0.2		4746C0971	kill switch m4				
0.2		4733C4981	rocker switch (elec. pump)				

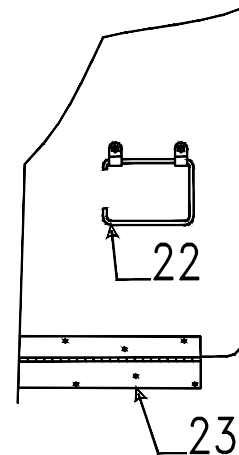
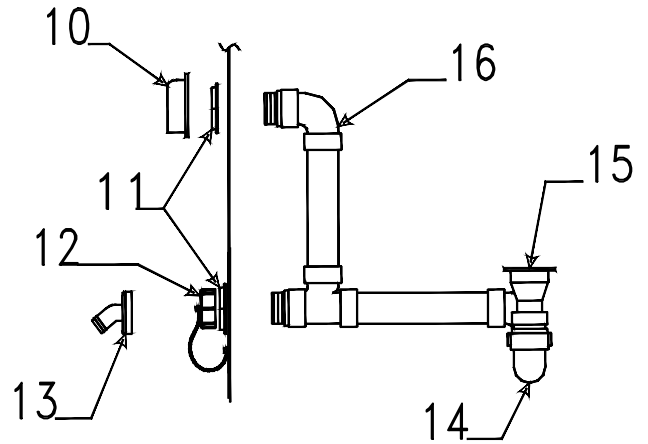


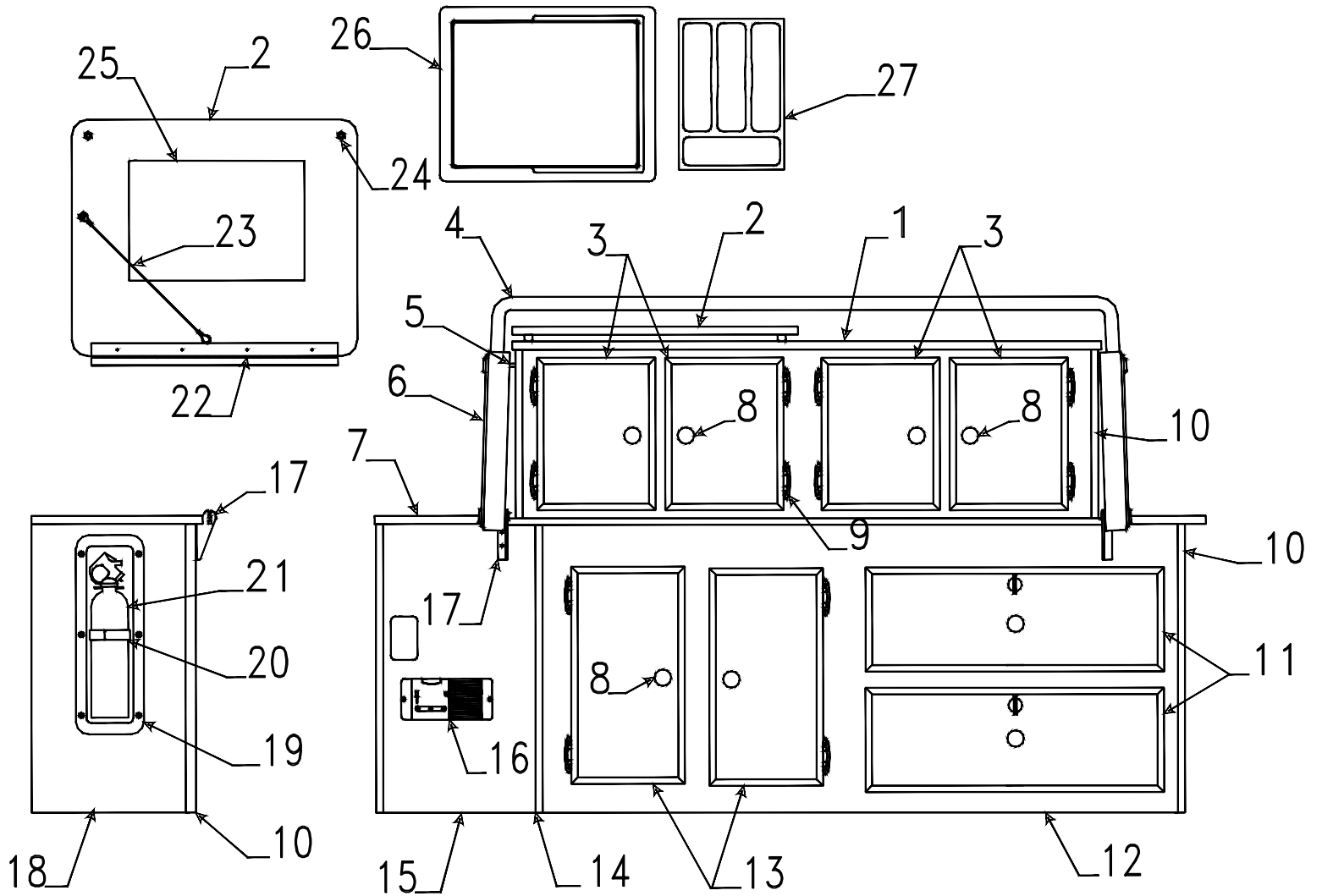
\* Add .50 with furnace

Upper/Lower Galley - 4478 Bayside, 4481 Utah							
Flat Rate	Code	Part #	Description	Flat Rate	Code	Part #	Description
2.00	1	4752U9071	galley top sink	1.00	15	4767D2461	lower galley top rt.
	2	<b>Note: refer to page 12 for stove components</b>		0.20		4746C0971	kill switch m4
0.80	3	4768-1831	sink "black porcelain"	0.20		4733C4981	rocker switch (elec. pump)
		<b>Note: refer to page 13 for sink components</b>		0.15	16	4702-58061	drawer assy.
1.00	4	4745E2741	mixer faucet	0.15	16A	4758B3131	dr/drawer pnl. 10"x 14 1/4"
0.75	5	4756A6631	galley pivot brkt. (lt. & rt.)	1.00	17	4754M3281	lower galley front rt.
		4744D4601	rivet "brown" m25	0.15	18	4758B4041	door pnl. 9 1/8" x 12
1.00	6	4756H1511	galley lift bar	0.15		4733-6391	latch & strike pkg.
		4744-6321	chain assy x2 per bar	0.25	19	4750J6731	filler assembly
0.15	7	4757D1941	plastic chain cover (left)	1.00	20	4754F8341	lower galley front 4478
0.15	7A	4757D1951	plastic chain cover (right)	1.00	20A	4756L0521	lower galley front 4481
0.75	8	4756D0011	seat gazoodi	0.10	21	4743-3551	furnace grill
0.30		4060400093P	lipped t-molding 12' pc. pkg.	0.15	22	4767A3201	drawer pnl. 13" x 8"
0.60	9	4716B1821	lower galley brkt. pkg.	0.15	23	4755A7681	door assy. 13" x 8"
1.00	10	4767C3311	cabinet top		24	4755B8201	nylon block & screws
0.65	11	4060137505P	3/8" f-channel 24"pc.	<b>Note: refer to page 22 for drawer components</b>			
0.10	12	4748C3951	door pull w/screws	0.50	25	6010415696P	reefer door wood insert
0.10	13	4762-4878	hinge	0.05	26	4755-4481	cutlery tray
0.10	14	4060175000P	1/2" x 3/4" trim angle 6' pc.				

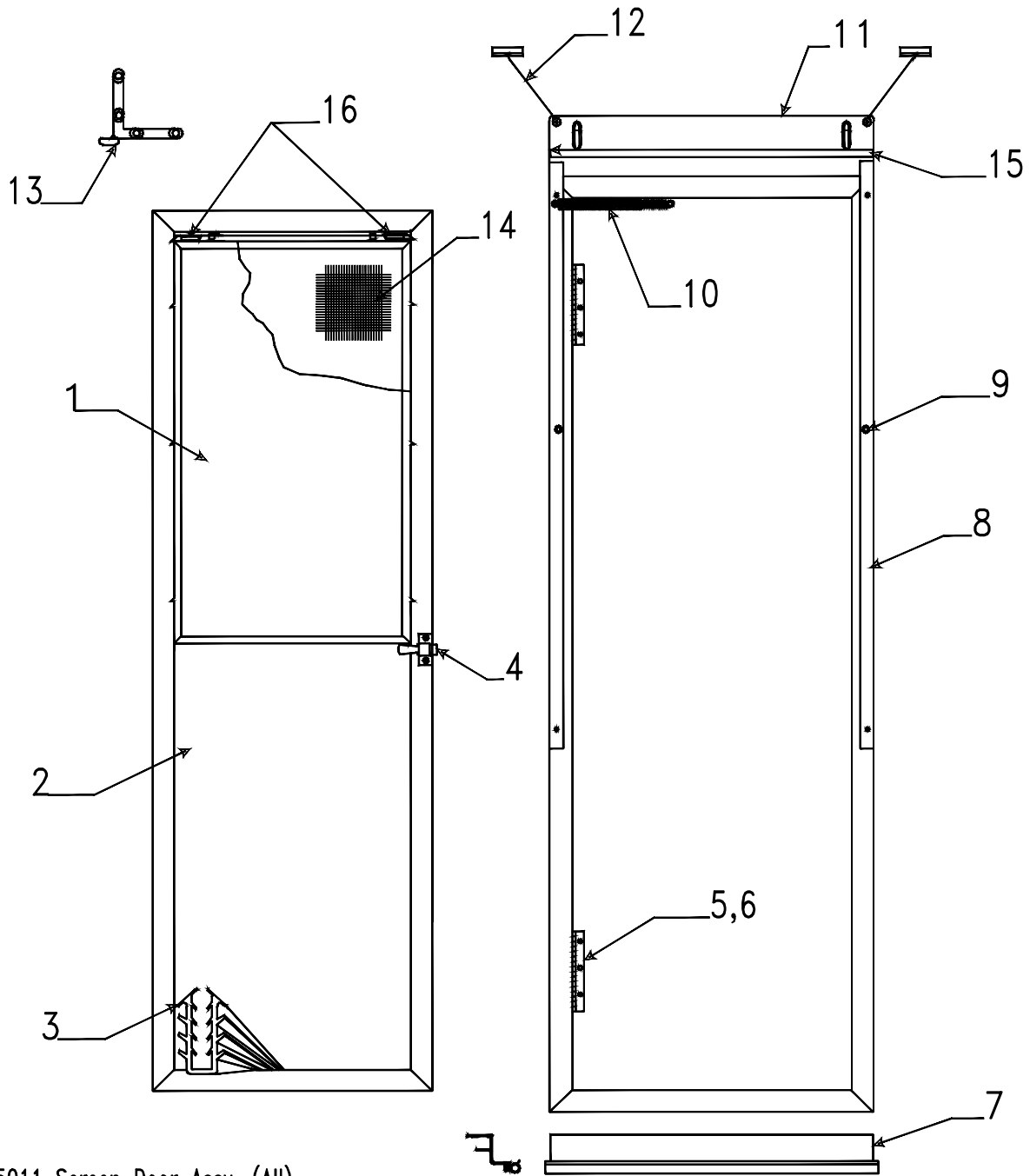


Shower Stall Components - Utah 4481			
Flat Rate	Code	Part #	Description
1.50	1	4759B1001	shower pan
0.75	2	4756A2251	cassette potty
0.15	3	4767A0101	shower head w/bracket
	4		
0.50	5	4741B2071	shower diverter
0.50	6	4746A1821	basket & strainer
1.50	7	4756H4621	shower threshold
0.15	8		
0.75	9	4754L3861	shower wall
0.15	10	4757-9261	vent cover
0.50	11	4757-9251	metal nut 1 1/2"
0.50		4701-1871	plastic nut 1 1/2" pvc
0.10	12	4714A2861	cap & strap
	13	4737-9138	drain adapter
0.40	14	4752-3621	p-trap w/union joint
0.50	15	4757-8561	drain plug adapter
1.00	16	4769-9171	vent system
	17	4741D6361	tub package. (Not Shown)
	18		
0.10	19	4757C2171	access cover
0.40	20	4755C7991	shower cover board
0.05	21	4769-6721	hold-up strap
0.15	22	4756-9121	TP holder
		4747-2531	nylon clamp m2
0.25	23	4756-4441	shower board hinge





CS Swing Level Vanity Cabinet Assy. - 4478 Bayside							
Flat Rate	Code	Part #	Description	Flat Rate	Code	Part #	Description
1.25	1	4767C2911	cabinet top	1.00	12	4767C2801	lower cabinet frt. rt.
0.50	2	4767C2921	lift up board assy.	0.15	13	4767A4771	door panel 8 3/4" x 16 3/4"
0.15	3	4758B4041	door pnl. 9 1/8" x 12	0.15		4733-6391	latch & strike pkg.
1.00	4	4756D4071	lift bar	0.50	14	4060400179P	panel connector
		4744-6321	chain assy. x2 per bar	1.00	15	4767D2811	lower cabinet frt. lt.
0.75	5	4752A9271	pivot bracket	0.25	16	4753B9171	lp gas detector
		4744D4601	rivet "elm" m25	0.60	17	4716B1821	lower cabinet brkt. pkg.
0.15	6	4757F1911	plastic chain cover (left)	0.50	18	4767B2861	cabinet side lt
0.15		4757F1921	plastic chain cover (right)	0.15	19	4701-1321	recessed mount
0.25	7	4767F2841	lower cabinet top			4738-3088	screw x6
0.10		4747-8941	black plastic cap m2	0.05	20	4716-1191	fire extinguisher strap m2
0.10	8	4748C3951	door pull w/screws	0.10	21	4737A5558	fire extinguisher
0.10	9	4762-4878	door hinge	0.15	22	4767A2931	hinge
0.65	10	4060137505P	3/8" f-channel 48" pc.		23	4755-7181	stop cable
0.15	11	4767A47861	drawer frt. 22 3/4" x 7 3/4"	0.05	24	4724-2608	stop button x2
0.10		4755B7211	drawer assembly	0.25	25	4757-0161	mirror
0.15		4767-3601	chrome thumb turn lock		26	4773-0311	vanity bin (plastic)
				0.05	27	4755-4481	cutlery tray



4769B5011 Screen Door Assy. (All)  
 .30 Flat Rate Screen Door Complete

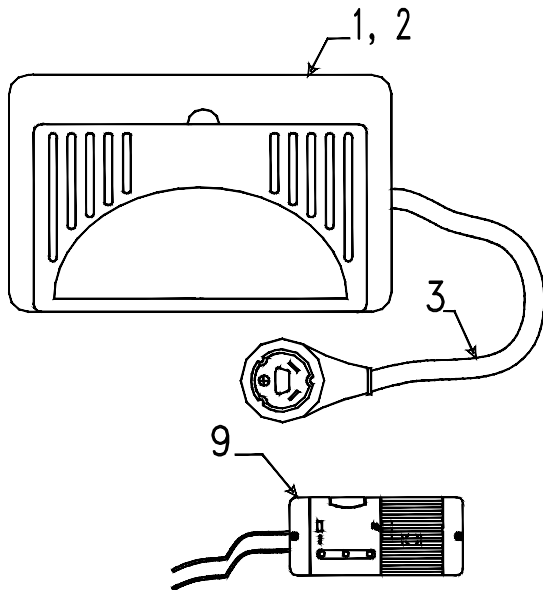
Note: parts marked w/\* asterisk are not included w/screen door

Screen Door Assy. Components							
Flat Rate	Code	Part #	Description	Flat Rate	Code	Part #	Description
0.10	1	4716E3401	top sliding window pane	0.05	9	4730A3548	stud w/screw x2
0.40	2	4754D1541	stationary window pane	0.20	10	4731A8201	spring package
0.15	3	4060000086F	rubber seal (sold/foot)	0.30	11	4758C0571	top bracket
		<b>Note: around perimeter of window pane</b>		0.15	12	4734D5211	cable assy. m6
0.15	4	*4742-9671	door latch assembly	0.50	13	4710-3791	corner brace hinge m2
0.15	5	4720C3601	hinge x2	0.10	14	4716-1381	screened stationary pane
	6	1203-8641	rivet m25	0.75		4716-1111	screening 36" x 18 1/2"
0.25	7	*4747B5621	screen door support	0.10	15	4060000023P	d-seal "white" (5' pkg.)
		*4060000399F	rubber seal (sold/foot)	0.50	16	4716-3811	window lock pkg. rt./lt.
0.20	8	4754A3811	vel-stick (pkg. of 2)				

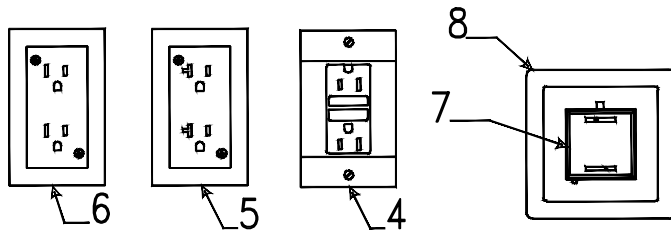


\* Item warranted through vendor

WORLD FRIENDSHIP CO., LTD  
Warranty: 800-900-2468

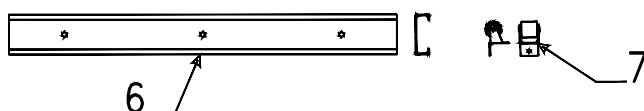
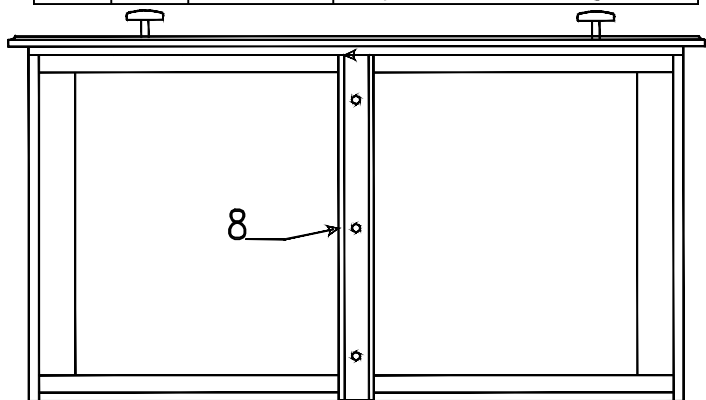
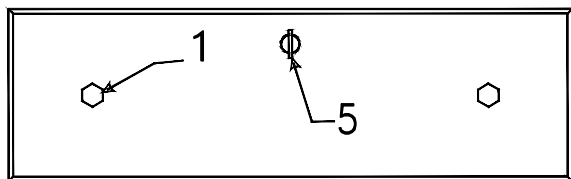
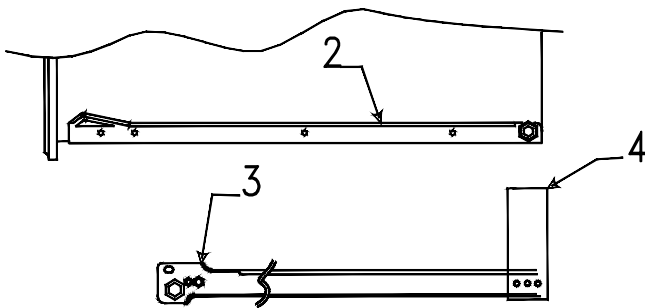


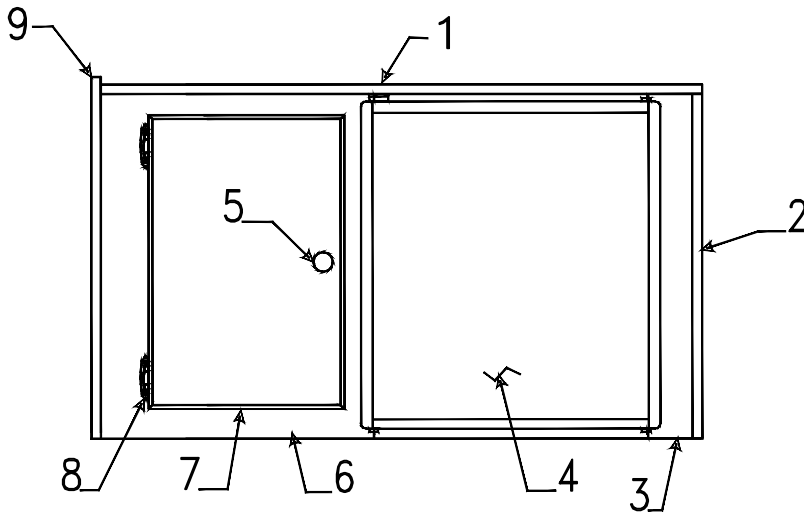
Converter & Related Parts			
Flat Rate	Code	Part #	Description
1	1	4753E8201	converter 25 amp WFCO
0.15	2	4716D1301	face cover w/door (plastic)
0.6	3	4772-1601	power cord 32 ft.
0.35	4	4701-1061	15 amp GFI receptacle (black)
0.2	5	4701-1071	20 amp receptacle (black)
0.2	6	4701-1081	amp receptacle (black)
0.2		4765-4041	amp reefer receptacle (white)
0.4		4746A3851	receptacle box
0.5	7	4752A8461	*thermostat
0.2	8	4756B8811	plastic base & bracket
	9	4753B9171	lp gas detector



Drawer Assy. Component Parts

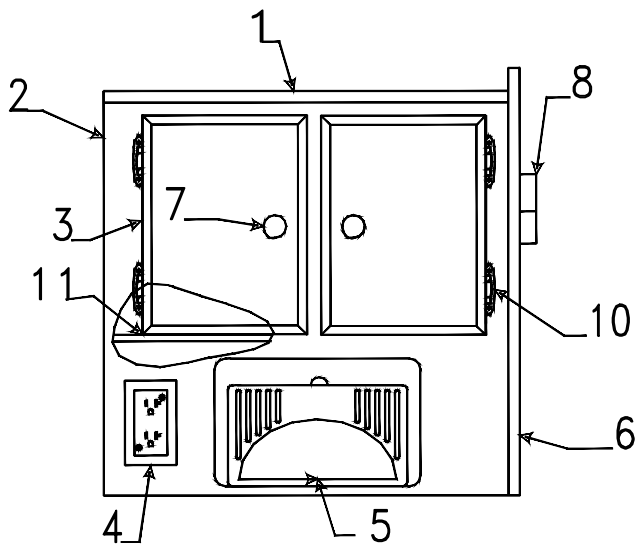
Flat Rate	Code	Part #	Description
0.1	1	4748C3951	door pull w/screw
0.5	2	4758A1021	12" drawer slide LHD
0.5		4758A1031	12" drawer slide RHD
0.5		4758A1041	18" drawer slide LHD
0.5		4758A1051	18" drawer slide RHD
0.5	3	4755A8861	20" drawer guide RT./LT.
0.5		4755A8821	14" drawer guide RT./LT.
0.25	4	4758A2921	drawer guide brkt. 14" x 4 3/4"
0.25		4758B1731	drawer guide brkt. 12 1/4" x 8"
0.15	5	4767-3601	thumb turn lock
0.25	6	4757B8891	17" metal drawer guide
0.1	7	4757-8911	drawer roller m2
0.25	8	4758-8391	20" pvc i-beam drawer guide





RS Hutch Assy. - 4491 Sun Valley

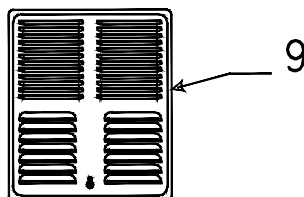
Flat Rate	Code	Part #	Description	Flat Rate	Code	Part #	Description
1.5	1	4767C2501	hutch top 4491	0.15	7	4758B3061	door pnl. 18 1/2" x 12"
0.3	2	4757C8771	hutch side 4491	0.1	8	4762-4878	hinge
0.75	3	6019637596P	hutch frt. rt. 4491 22 1/4" x2 7/16"	0.75	9	4767A2471	gazoodi 4491
0.25	4	6010415696P	reefer wood insert panel	0.3		4060400093P	lipped t-molding (12' pc. pkg.)
0.1	5	4748C3951	door pull (includes screw)		10	4747-8941	pin cover
0.75	6	4752M4551	hutch front "left" 4491		11	4060137505P	f-channel

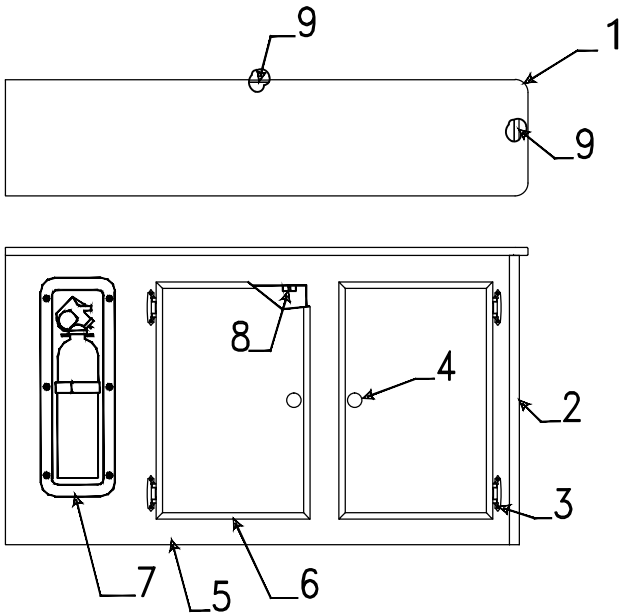


RSR Corner Cabinet Assy. - 4481

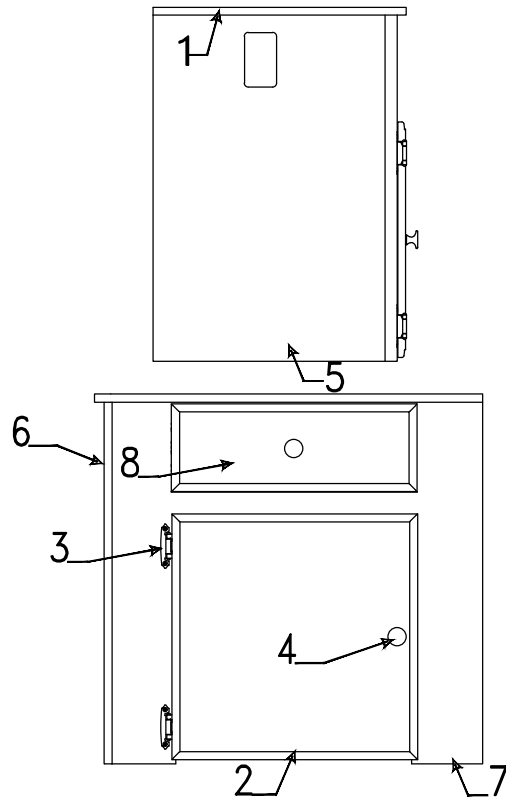
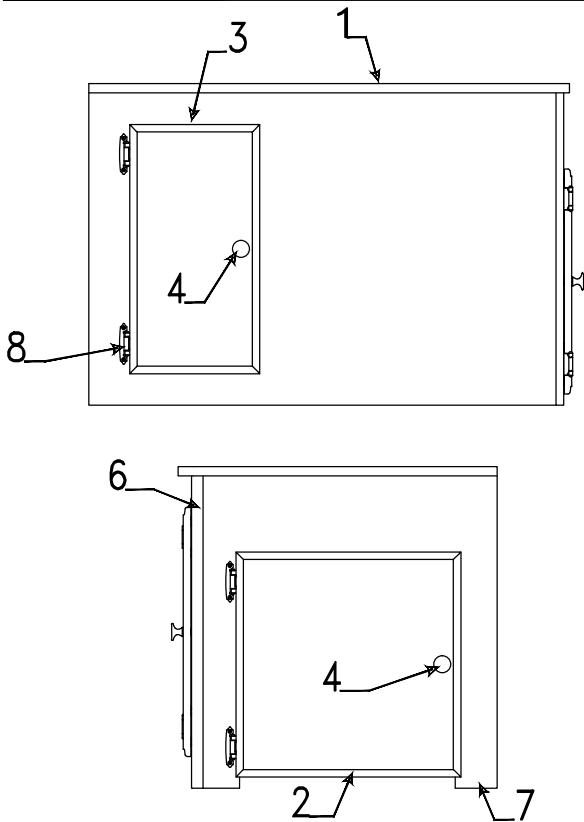
Flat Rate	Code	Part #	Description
0.25	1	4756N0081	cabinet top
0.75	2	4756P0071	cabinet front
0.15	3	4758B4041	door panel 12" x 9"
0.2	4	4701-1071	20 amp receptacle
1	5	4753E8201	converter 25 Amp
1	6	4756D0011	gazoodi
0.3		4060400093P	t-molding pkg. (14' pc.)
0.1	7	4748C3951	door pull w/screw
*	8	4755B8201	nylon block x2
0.1	9	4743-3551	furnace grill
0.1	10	4762-4878	hinge (spring loaded)
0.2	11	4755G3581	converter cover shelf x2

\* Prior Authorization from factory needed.



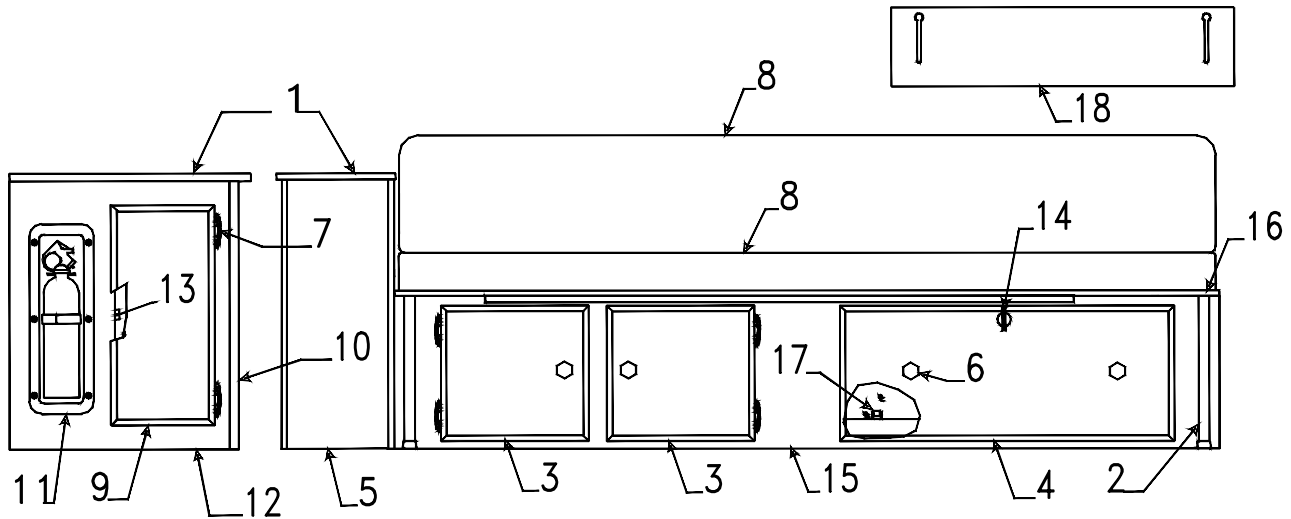


Doorway Hutch Assembly - 4491 Sun Valley			
Flat Rate	Code	Part #	Description
0.25	1	4767D2661	cabinet top 4491
0.65	2	4060137505P	3/8" f-channel 48" pc.
0.1	3	4762-4878	hinge
0.1	4	4748C3951	door pull (includes screw)
0.3	5	4767D2651	cabinet side
0.15	6	4758B3061	door pnl. 18 1/2" x 12"
0.15	7	4701-1321	recessed mount
		4738-3088	screw x6
0.1		4737A5558	fire extinguisher
0.05		4716-1191	fire extinguisher strap m2
0.15	8	4733-6391	latch & strike pkg.
0.5	9	6010415696P	luan wood grain panel



CSF Corner Cabinet 4478, 4481, 4489			
Flat Rate	Code	Part #	Description
0.5	1	4767A4761	cabinet top 4489
		4767B4761	cabinet top 4478,4481
0.15	2	4758B4261	dr. pnl. 15 1/8" x 15 1/8"
0.15		4733-6391	latch & strike
0.15	3	4767A4771	dr. pnl. 16 3/4" x 8 3/4"
0.1	4	4748C3951	door pull w/screw
0.5	5	4756F4671	cabinet front
0.65	6	4060137505P	3/8" f-channel 48" pc.
0.5	7	4759B0961	cabinet side
0.1	8	4762-4878	hinge

CSF Corner Cabinet 4496			
Flat Rate	Code	Part #	Description
0.5	1	4758C2961	cabinet top
0.15	2	4758B4261	dr. pnl. 15 1/8" x 15 1/8"
0.15		4733-6391	latch & strike
0.15	3	4762-4878	hinge
0.1	4	4748C3951	door pull w/screw
0.5	5	4754F8211	cabinet front
0.65	6	4060137505P	3/8" f-channel 48" pc.
0.5	7	4754H1841	cabinet side
0.1	8	4767D5451	drawer assy
0.1		4758B3081	drawer pnl 14 3/4X 4 3/4

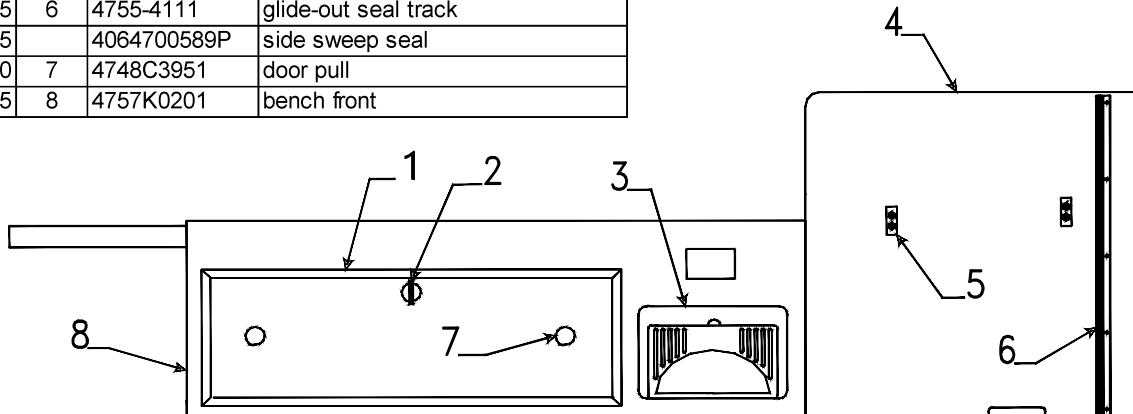


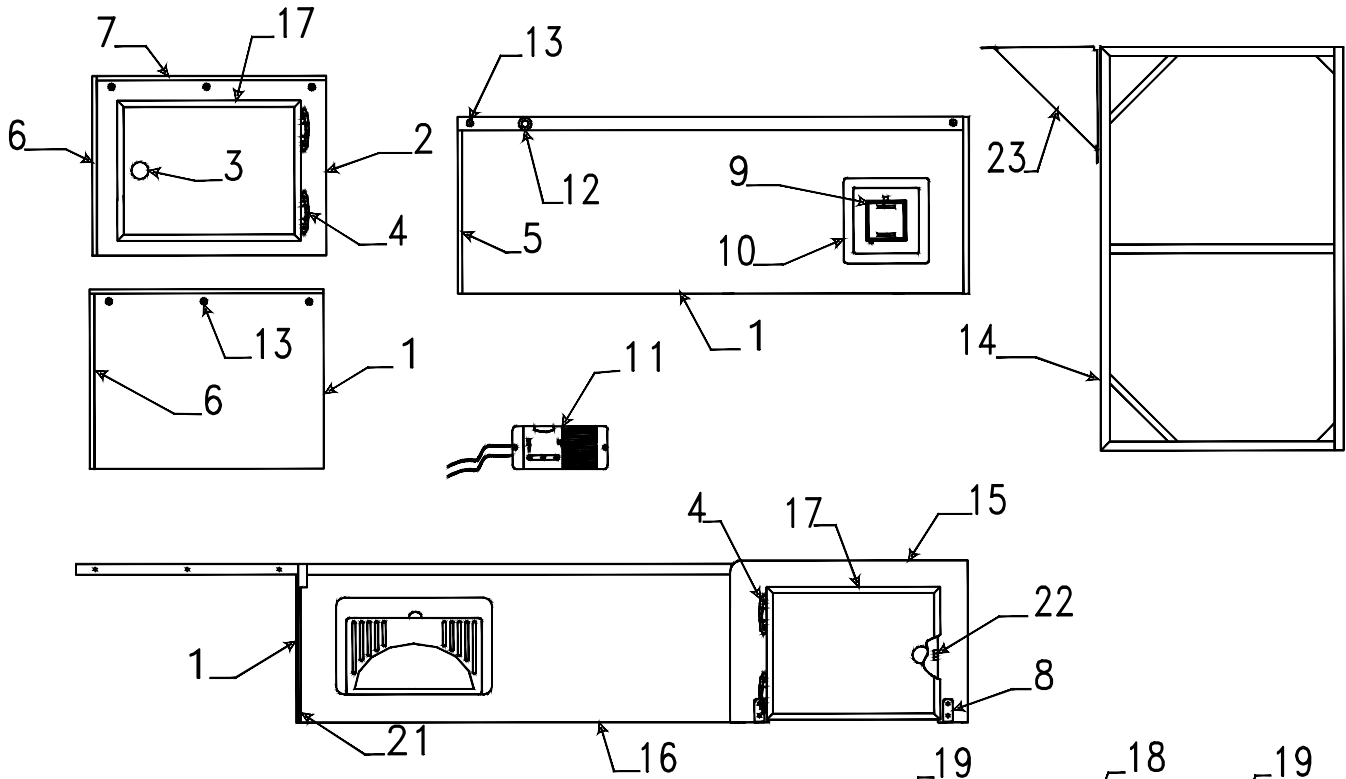
**CS Hutch/Seat Assy. 4496 Cheyenne, 4481 Utah**

Flat Rate	Code	Part #	Description	Flat Rate	Code	Part #	Description
0.25	1	4759B4401	cabinet top 4496	0.15	9	4767A4771	door panel 8 3/4" x 16 3/4"
0.25		4756K8241	cabinet top 4481	0.65	10	4060137505P	3/8" f-channel (48" pc.)
0.25	2	4758D6151	cushion leg x2		11	<b>Note: refer to page 23 fire extinguisher</b>	
		4756B1591	rivet m25	0.50	12	4754M1621	cabinet side 4496, 4481
0.05		4752-0551	plastic cap m2	0.15	13	4733-6391	latch & strike pkg.
0.15	3	4767A2371	door panel 13 3/8" x 12 1/4"	0.15	14	4767-3601	thumb turn lock
0.15	4	4758C8491	drawer frt. 30 1/4" x 9 1/4"	1.00	15	4754M1641	bench front 4496
0.10		4759E6751	drawer assy. 4496, 4481	1.00		4702B0771	bench front 4481
		<b>Note: refer to page 20 for drawer components</b>			16	4755P5561	platform w/legs 4496
1.25	5	6019637596P	hutch front 4496			4769H5151	platform w/legs 4481
1.25		4754M1651	hutch front 4481	0.10	17	4757-8911	drawer roller guide M2
0.10	6	4748C3951	door pull (includes screws)	0.40	18	4752D0341	bench top w/slots 4496
0.10	7	4762-4878	hinge	0.40		4759-1751	bench top w/slots 4481
	8	<b>Note: Refer to page 32 for this item</b>					

**Rear Center Seat Assy. 4478 Bayside**

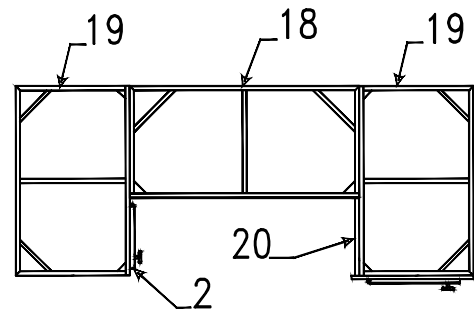
Flat Rate	Code	Part #	Description
0.15	1	4758C8491	drawer front panel 30 1/4" x 9 1/4"
0.10		4753N54561	drawer assy.
0.15	2	4767-3601	chrome thumb turn
1.00	3	4753E8201	converter
1.00	4	4756D0011	gazoodi
0.30		4060400093P	lipped t-molding (12' pc.)
0.50	5	4755B8201	nylon block x2
0.35	6	4755-4111	glide-out seal track
0.25		4064700589P	side sweep seal
0.10	7	4748C3951	door pull
0.75	8	4757K0201	bench front



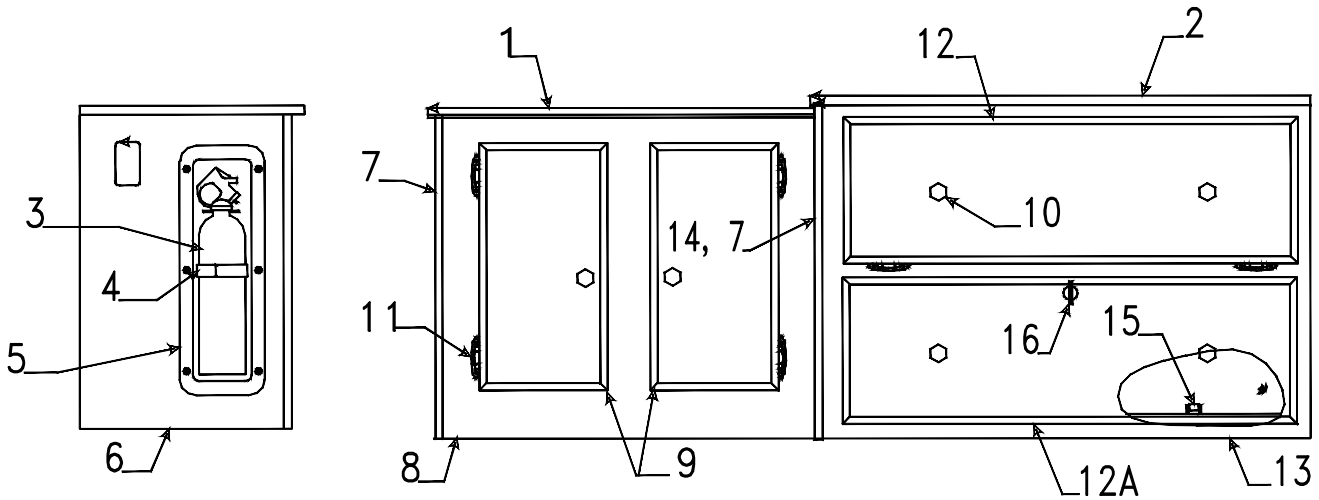


\* Warranted Through Vendor

Seat Bench Component Parts			
Flat Rate	Code	Part #	Description
0.5	1	6010415696P	universal luan panel 48" x 48"
0.15	2	4758B4041	door panel 12" x 9 1/8"
0.1	3	4748C3951	door pull w/screws
0.1	4	4762-4878	hinge
0.15	5	4060400379P	corner molding 48" pc.
0.35	6	4060115605P	5/32" f-channel 48" pc.
0.5	7	4060015604P	5/32" u-channel 48" pc.
0.1	8	4734A3851	L-bracket
0.5	9	4752A8461	*thermostat
0.2	10	4756B8811	plastic base & bracket
0.25	11	4753B9171	lp gas detector
0.05	12	4724-2608	stop button
		1103B10121	#10 - 3/4" screw
		13	4734H1861 rivet m25
		1202B0268	washer
		14	4759B6021 glide-out bench frame x2
			4759B6021 dinette bench frame x2 - 4489, 4496
			4759B5961 dinette bench frame x2 - 4491
0.35	15	4767F2551	seat end csf bench - 4491
0.75	16	4767C2561	center seat front - 4491
0.15	17	4758B3131	door panel 10" x 14 1/4"
0.15		4758B4261	door panel 15 1/8" x 15 1/8" - 4491
		18	4754A7951 center bench frame - 4491
		19	4755B7031 cs/rs bench frame - 4491
0.5	20	4752E4731	pull-out cushion support "wood"
		21	4060000031P sponge gimp pkg. (21' pc.)
0.15	22	4733-6391	latch & strike pkg.
0.15	23	4757G0551	outside shower cover - 4489

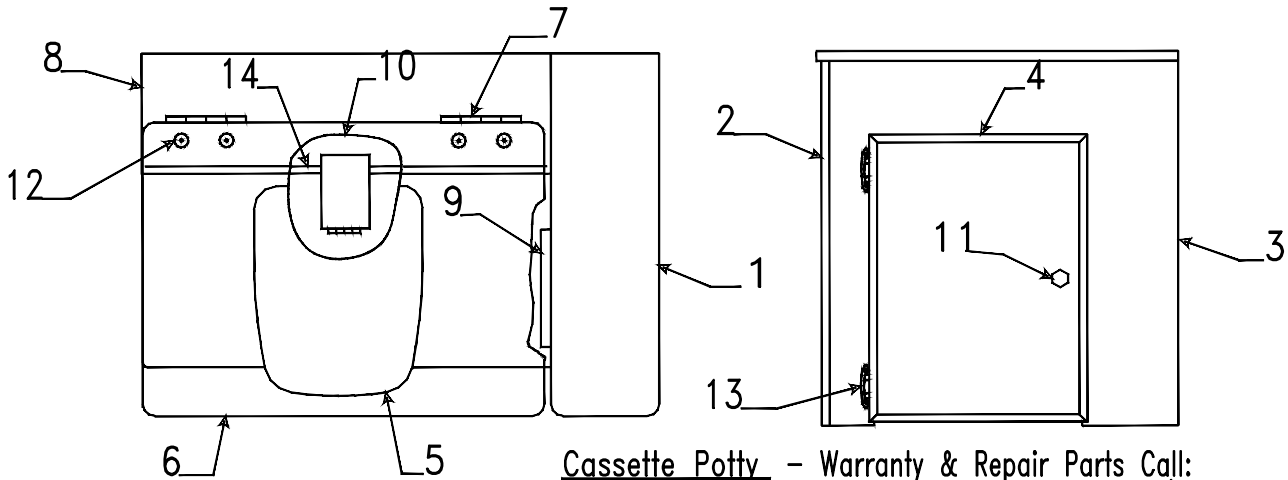


Front wraparound bench view  
Model 4491 Sun Valley



**Curbside Hutch Assy. - 4489 Santa Fe**

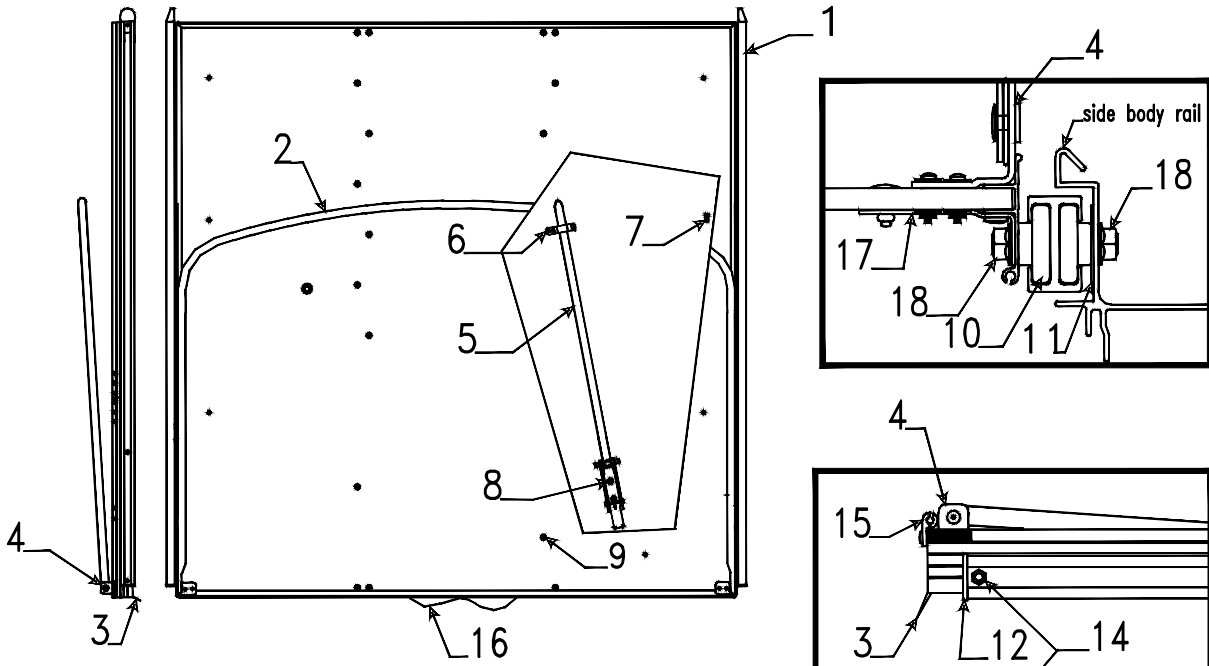
Flat Rate	Code	Part #	Description	Flat Rate	Code	Part #	Description
0.75	1	4767-9031	hutch top "left"	0.1	10	4748C3951	door pull (includes screws)
0.75	2	4759C1621	hutch top "right"	0.1	11	4762-4878	hinge
0.1	3	4737A5558	fire extinguisher	0.15	12	4767B2401	door front 30 1/4" x 9 1/4"
0.05	4	4716-1191	fire extinguisher strap m2	0.15	12A	4767B24061	drawer front 30 1/4" x 9 1/4"
0.15	5	4701-1321	recessed mount	0.1		4754B7921	drawer assy. x1
		4738-3088	screw x6				Note: refer to page 20 drawer components
0.55	6	4767B2331	hutch side	1.25	13	4754H0551	hutch front "right"
0.65	7	4060137505P	3/8" f-channel 48" pc.	1	14	6019637596P	center panel 15 3/4"x22 1/4"
0.5	8	4754H0491	hutch front "left"	0.1	15	4757-8911	drawer roller guide m2
0.15	9	4767A4771	door pnl. 8 3/4" x 16 3/4"	0.15	16	4767-3601	thumb turn lock



**Cassette Potty - Warranty & Repair Parts Call:  
Theftford - Phone # 1-800/354-4135**

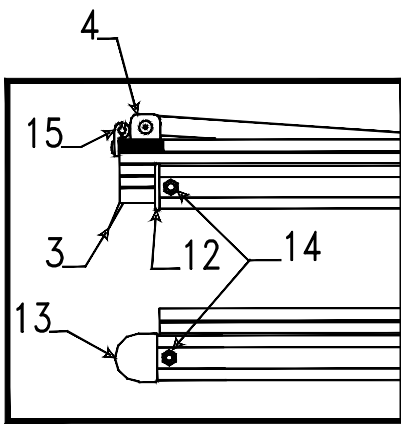
**Potty Cabinet - 4489, 4478, 4481**

Flat Rate	Code	Part #	Description	Flat Rate	Code	Part #	Description
0.25	1	4758C3931	cabinet top 4478,4481	0.2	7	4758B9781	lid hinge x2
0.25		4758F3931	cabinet top 4489	0.1	8	4750F3891	wood filler
0.35	2	4060115605P	5/32" f-channel 48" pc.	0.15	9	4754B0901	wood lid support rt./lt.
0.4	3	4751F9961	cabinet side	0.15	10	4755C6911	flip-up lid prop (metal)
0.15	4	4758B3061	door panel 12" x 18 1/2"	0.1	11	4748C3951	door pull w/screws
0.75	5	4746D2461	elec. flush cassette potty	0.05	12	4744D4601	5/8" headed rivet M25
0.25	6	4767C0511	flip-up lid	0.1	13	4762-4878	hinge
0.3		4060450008P	t-molding pkg. (12' pc.)	14	4060095603P	3/8" U-channel 48" pc.	



Flat Rate .75 Bed assy. replacement

4489, 4496	4759C5861	Rear Bed Assy. "Complete"(DOUBLE)
4478, 81	4759C5821	Rear Bed Assy. "Complete"(KING)
4451, 78, 81	4759C5831	Front Bed Assy. "Complete" (KING)
4489, 4491	4759C5841	Front Bed Assy. "Complete" (KING)
4491__	4768-7891	Rear bed assy "Complete" (KING)
4496	4768-7881	Rear bed assy "Complete" (KING)



\*\* .50 first extension  
\*\* .25 second extension

Flat Rate .50 per cover  
Flat Rate .10 Matt assy.

<b>Note:</b> must cut to size if where applicable			
0.25	2	4714C1901	tent bow/leg package
0.25	3	4060300339P	vinyl bed seal (8' pc. pkg.)
0.15	4	4720K5631	bed bow bracket m2
		4757-9241	1 1/2" plastic fender washer m4
		1203C8721	steel rivet m25 (affix bow to brkt.)
		1016B10148	machine screw x2 per brkt.
		1201B6958	wiznut x2 per brkt.
0.2	5	4759A5881	rear bed leg assy. (double bed)
0.2		4759B5871	rear bed leg assy. (king bed)
0.2		4759B5901	frt. bed leg assy. 4496, 78, 81
0.2		4759A5891	frt. bed leg assy. m2 4489, 4491
0.15	6	4757-4331	bed leg clip
		1203-8831	rivet m25 (rivet clip to bed)
0.15	7	4720E4021	lashing hook m6
		1203-8741	rivet m25 (rivet hook to bed)
0.2	8	4757-4471	slotted support plate 7 1/2"
0.2		4714-4521	mounting screws (pkg. of 3 each)
	9	1203C8721	rivet m25
0.5	10	4754-8101	bed roller, nut, bolt, & washer pkg.
	11	1202B2908	washer
0.15	12	4754-8631	bed slide end cap
0.15	13	4754-4821	bed slide wedge
0.2	14	1034B16128	flat head screw
		1201B6378	lock nut
0.5	15	4758A8301	bed end retainer track & rivets
0.2	16	4758-9481	pull-out handle strap & rivets
		4758-8001	rivet "black" m25
0.2	17	4755A2591	bed brkt. w/hardware x4
	18	4739-2298	lock nut

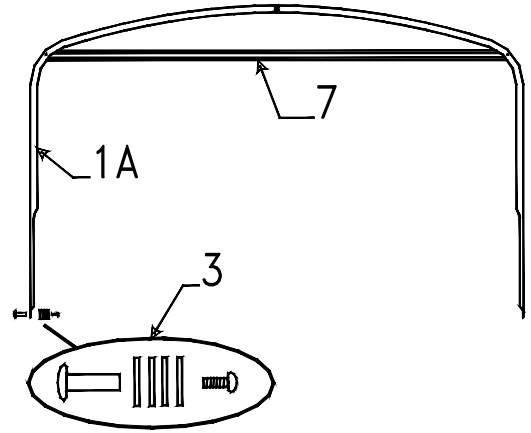
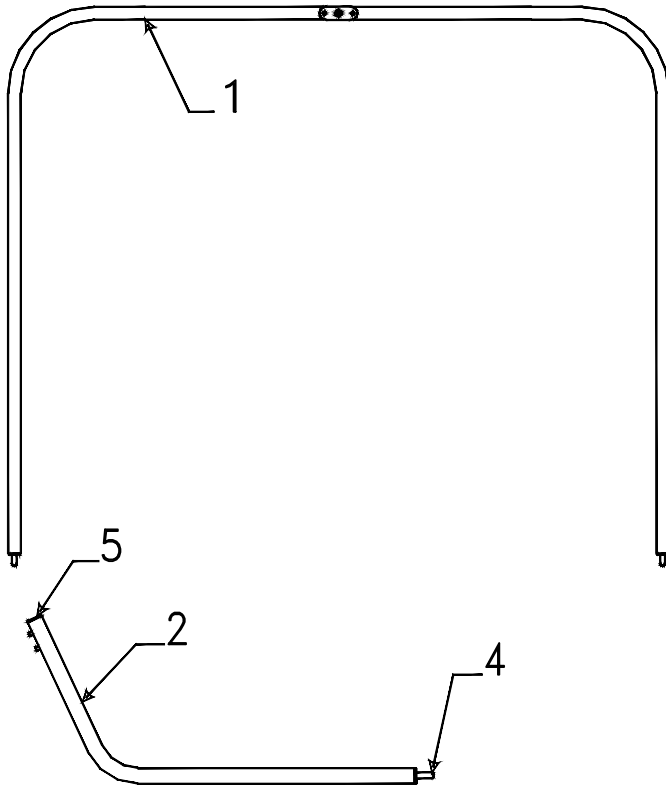
**Quilted Mattress Assembly & Covers**

**KING** Mattress Assy. - 4757L6421 4478,81  
**KING** Mattress Cover. - 4714L6421  
**KING** Mattress Assy. - 4767B9881 4491,86,89  
**KING** Mattress Cover. - 4714B9881

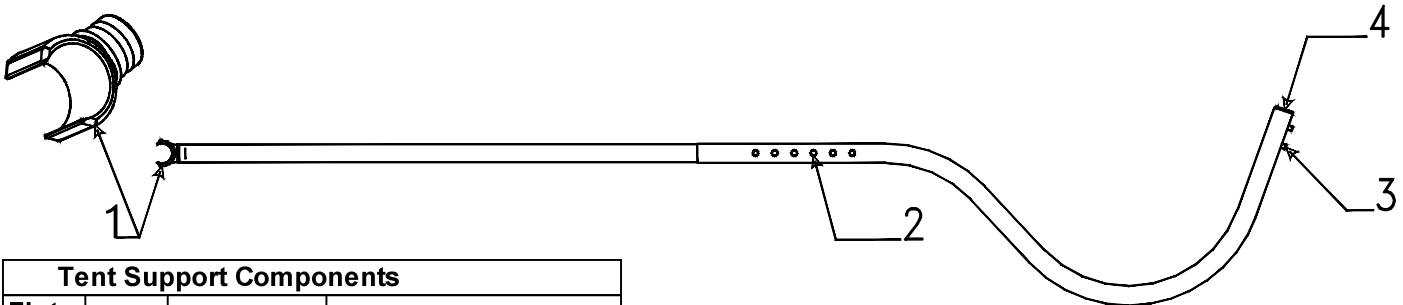
**DOUBLE** Mattress Assy. - 4769F8691  
**DOUBLE** Mattress Cover - 4714F8691

**Mattress Assembly Dimensions**

**KING** Mattress Size - 77" x 70" x 3 1/2"  
**DOUBLE** Mattress Size - 77" x 48" x 3 1/2"



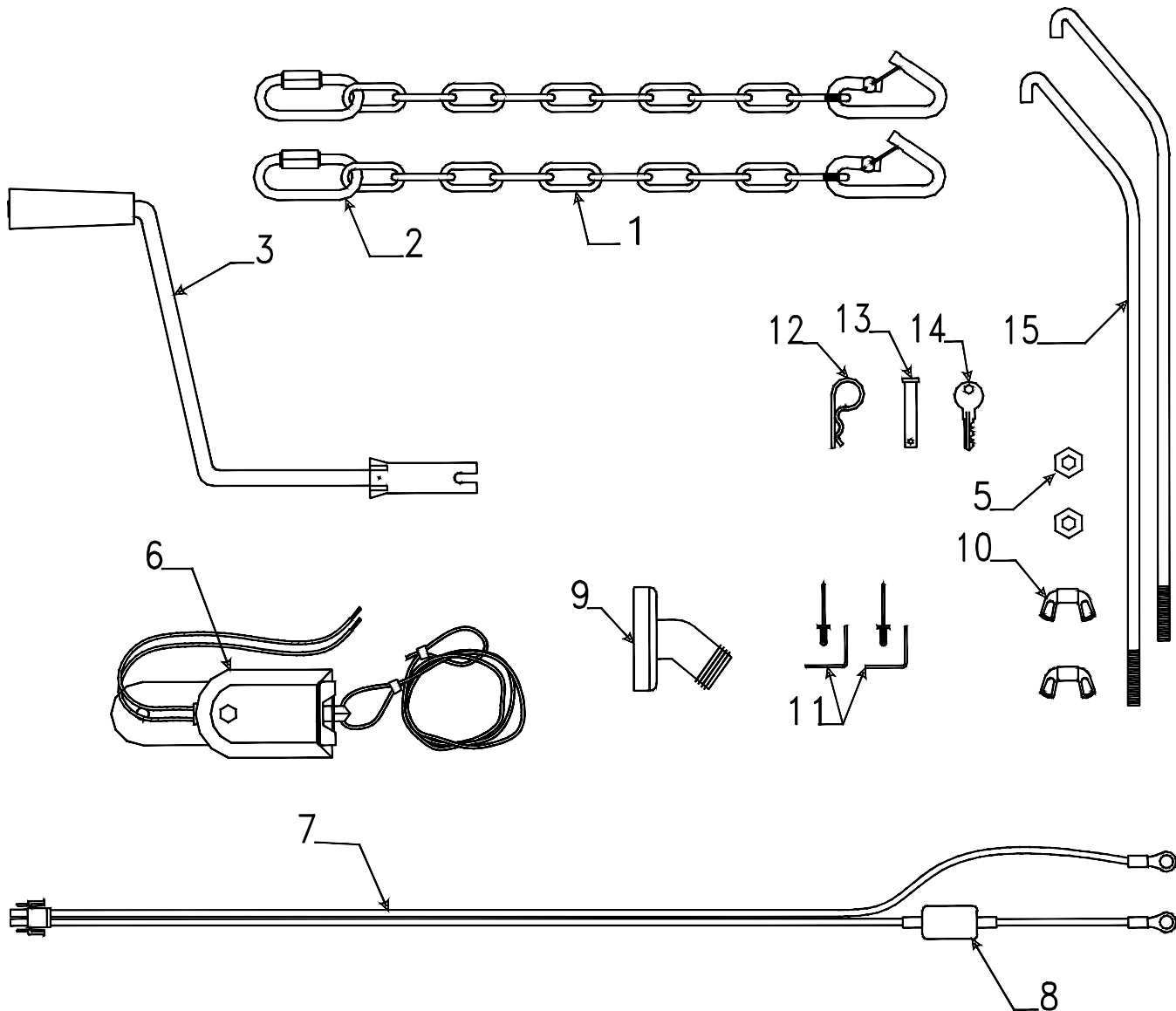
Tip-Out/Glide-Out Tent Bow - 4491, 4478, 4481			
Flat Rate	Code	Part #	Description
0.1	1	4759A5761	tip-out tent bow assy. 4491,4478
0.1	1A	4756C2071	glide-out tent bow 4478, 4481
0.05	2	4759B5751	tip-out tent support 4478, 4491
0.05		4773B5131	glide-out tent support 4478, 4481
0.1	3	4716-4451	glide-out bow mounting pkg.
0.2	4	8470-1728	black pin m10
0.1	5	4752A0561	tube closure "black" m2
0.1	6		
0.4	7	4757A8021	glide-out curtain track 4478, 4481
		1203-8951	rivet m25
0.1	8	4734A6708	spring assy.



Tent Support Components			
Flat Rate	Code	Part #	Description
0.2	1	4757-4301	tent support clasp m10
0.1	2	4734-6708	spring assy.
0.1	3	4734A6708	spring assy.
0.1	4	4752A0561	tube closure "black" m2

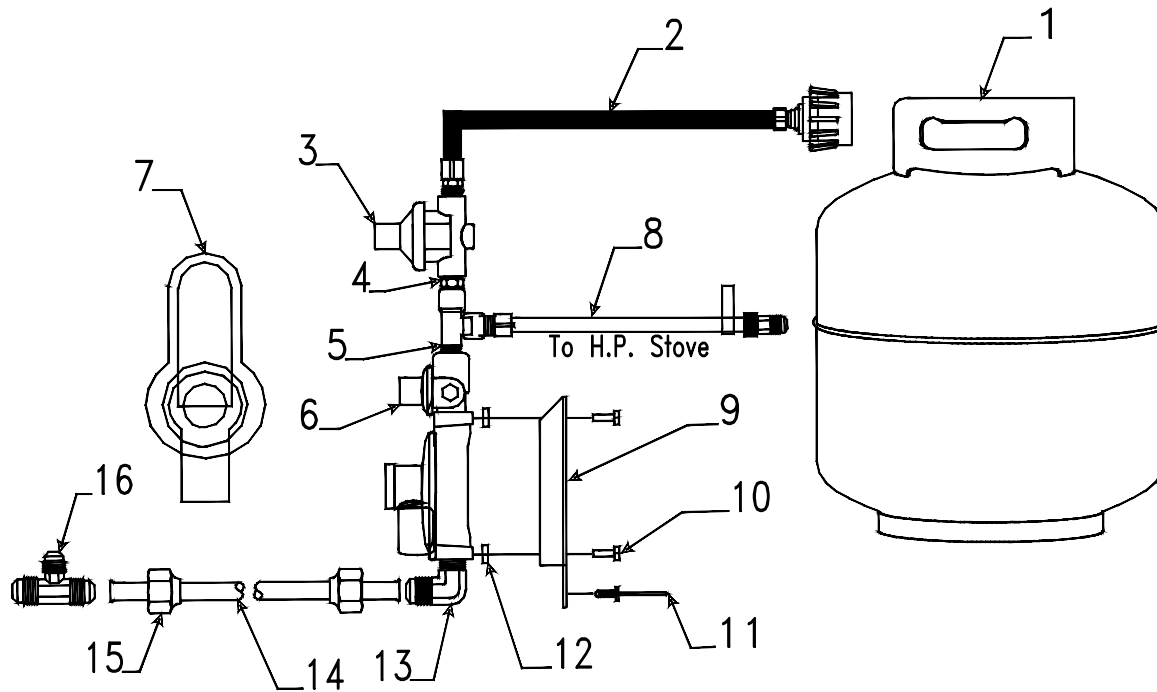
Tent Support Assemblies (Complete)	
Flat Rate .10 per Tent Support	
King Beds	Double Beds
4772B6021	4759A6891





### 4750M6111 Parts Package (All)

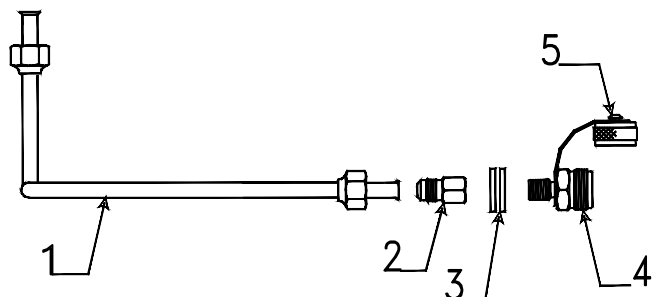
Parts Package Component Parts		
Code	Part#	Description
1	4757A3901	29" tow chain w/quick links m2
2	4757-3891	quick link (sold/signally)
3	4747G4141	crank handle
4		
5	1202B0468	washer x2 m10
6	4746-0401	breakaway switch
7	4749B5531	battery harness w/15 amp breaker m2
8	4751-4811	15 amp circuit breaker
9	4737-9138	drain adapter
10	1201-6258	wing nut x2
11	4753E6781	battery angle pkg.
12	4732A4791	safety pin m10
13	4757-4491	hitch pin m5
14	4730B3211	key m10 # 8025 (gold plated)
	4716-7511	outside shower key m2 #Ch751
15	4733G6281	gas bottle mounting brkt. pkg.
Note: pkg. includes (2) wing nuts, washers		

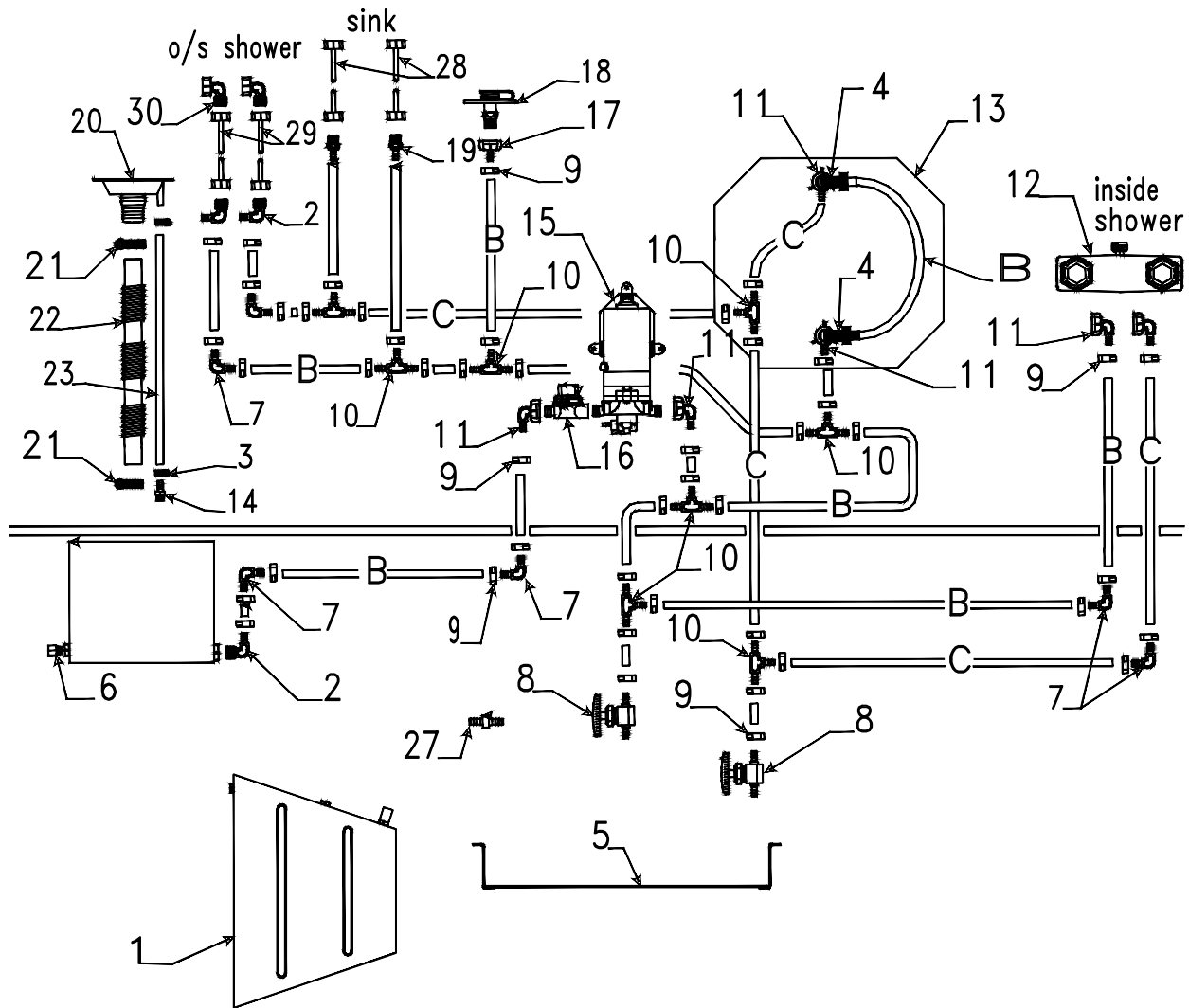


**\*\* Serial Number Of Gas Bottle Must Be Supplied When Submitting Warranty**

Gas System & Related Parts			
Flate Rate	Code	Part #	Description
.15 **	1	4720J5928	gas bottle
0.05		4702-5061	vinyl bottle cover
0.45	2	4733D3991	gas hose w/acme nut 21"
0.45	3	4742B8041	h.p. regulator
0.25	4	4755-0661	1/4" hex nipple
0.5	5	4739-6998	street tee
0.45	6	4755A0401	regulator "low pressure"
0.05	7	4734D3781	regulator cover
0.45	8	4742-8081	h.p. gas hose
	9	4741F9431	regulator mounting brkt.
	10	4759-0441	mounting screw m2
	11	1203E8961	stainless steel rivet m25
	12	0322A3301	brass spacer m2
	13	4753-8981	brass elbow 3/8" x 3/8"
0.25	14	1/2" or 3/8" copper gas line purchase locally	
	15	1215-2438	1/2" flare nut
0.15		1215-2418	3/8" flare nut
0.15	16	1215-1771	brass tee 3/8" x 3/8" x 3/8"
0.15		1215-1781	brass tee 1/2" x 3/8" x 3/8"

Outside H.P. Stove Hookup Components			
Flat Rate	Code	Part #	Description
0.5	1	3/8" copper gas line purchase locally	
0.15		1215-2418	3/8" flare nut
0.4	2	4742-8061	female coupling
	3	1202B1068	washer x2 m12
0.4	4	4739-6978	cylinder adapter
0.4	5	4742-8071	brass cap & strap





**B** 4066550013P 1/2" I.D. pex tubing "cold" (20' pc. pkg.)

**C** 4066550014P 1/2" I.D. pex tubing "hot" (20' pc. pkg.)

4060050003F 1/2" I.D. High pressure hose (sold/foot)

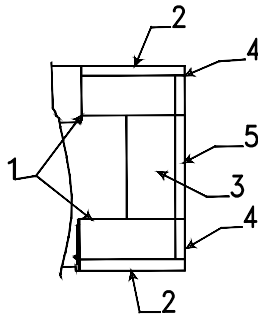
Water System & Related Parts							
Flat Rate	Code	Part #	Description	Flat Rate	Code	Part #	Description
1.5	1	4768A29961	water tank 20 GAL.	0.25	16	4747A8311	water filter
0.25	2	4769-0648	1/2" barb x 1/2" mpt elbow	0.2	17	4769-0588	1/2" straight swivel adapter
0.15	3	4731-3058	adjustable hose clamp 3/8"	0.3	18	4732F1521	city fill
0.25	4	4757-1671	Nipple	0.2	19	4769-0638	1/2" b x 1/2" mpt adapter
0.2	5	4758-5381	tank hanger x2 (all)	0.3	20	4731D1711	fill spout
0.15	6	1218-7001	tank plug	0.15	21	4715-4501	adjustable hose clamp
0.25	7	4769-0618	1/2" x 1/2" barbed elbow	0.35	22	4731H1081	water fill hose (3' pc.)
0.2	8	4769-0598	1/2" barbed line drain	0.2	23	4060050003F	1/2" h.p. hose (sold/ft.)
0.25	9	4765-2351	1/2" ss clamp m100	0.15	24		
0.25	10	4769-0608	1/2" barbed tee	0.25	25		
0.2	11	4769-0628	1/2" b x 1/2" fpt elbow w/nut	0.25	26		
0.5	12	4741B2071	shower diverter	0.25	27	4755A4828	1/2" x 1/2" insert coupler
*	13	4750-3421	water heater	0.25	28	4769-1301	48" water line assy.
0.15	14	4732B4561	hose adapter	0.25	29	4769-1291	60" water line assy.
0.5	15	4741F5571	electric water pump	0.25	30	4769-1318	swivel elbow

\* Warranted By Vendor

Dinette Area Cushion/Backrest Assemblies & Covers - 2009 Americana Series Flat Rate .10 Assembly - .25 Cover

Model	Cushion Assy.	Cushion Assy Size.	Cushion Cover
4489 4496	4754P5241	43 1/4"X19 3/8" X4 4/14"	4714P5241
4478 4481	4755F7511	43 1/4"X19 3/8" X4 4/14"	4714F7511
4491	4756N5631	39 1/2"X18"X4 1/4"	4714N5631
Model	Backrest Assem	Cushion Assy Size	Backrest Cover
4489 4496	4754P5231	42 3/4"X16 3/8"X3 5/8"	4714P5231
4478 4481	4755F7521	42 1/4"X15 5/8"X3 5/8"	4713F7521
4491	4758L5741	38 1/2X15 3/4"X3 5/8"	4714L5741
	Plastic Cushion Botton X 471-2681 m5		

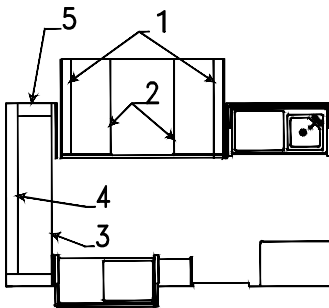
Curbside Couch Cushion & Backrest -4496,4481		
Model	Backrest Assy.	Backrest Cover
4496	4758J6201	4714J6201
4481	4769G5301	4714G5301
Model	Cushion Assy.	Cushion Cover
4496	4758J6191	4714J6191
4481	4769G5311	4714G5311



Flat Rate .10 Assembly - .25 Cover

**Cushion & Backrest Assy.'s - 4491 Sun Valley**

Flat Rate	Code	Part #	Description
0.1	1	4753R6021	cushion assy. 41" x 19 3/8"
0.25		4714R6021	cushion cover
0.1	2	4753P6071	backrest assy. 41 3/8" X 11 3/8"
0.25		4716P6071	backrest cover
0.1	3	4757B7411	cushion assy. 41 3/8" x 19"
0.25		4714B7411	cushion cover
0.1	4	4756N5401	backrest assy. 14" x 11 3/8"
0.25		4716N5401	backrest cover
0.1	5	4759K5791	backrest assy. 41 3/8" x 15 3/4"
0.25		4716K5791	backrest cover



Flat Rate .10 Assembly - .25 Cover

**Cushion & Backrest Assy.'s - 4478 Bayside**

Flat Rate	Code	Part #	Description
0.1	1	4755F7521	backrest assy. 42 1/4" x 15 5/8 x 4"
0.25		4714F7521	backrest cover
0.1	2	4755F7511	cushion assy. 43 1/4" x 19 3/8" x 4"
0.25		4714F7511	cushion cover
0.1	3	4757L6591	cushion assy. 80 1/4" x 21 1/4" x 4"
0.25		4714L6591	cushion cover
0.1	4	4757L6581	backrest assy. 72 1/4" x 14" x 5"
0.25		4714L6581	backrest cover
0.1	5	4755F7091	arm rest 21 1/4" x 14" x 5"
0.25		4714F7091	arm rest cover

<b>Sunbrella Tenting &amp; Components</b>			
<b>Flat Rate</b>	<b>Code</b>	<b>Part #</b>	<b>Description</b>
0.5	1	4769-8751	king tent boot 4489 Santa Fe 4496 Cheynne
0.5	1	4768D5181	king tent boot
0.5	2	4768D5171	double tent boot
0.2	3	4759G5241	large window 4489 Santa Fe, 4496 Cheyenne
0.2		4769-8721	large window "w/tip-out" 4491 Sun Valley
0.4		4756L6751	large window "w/glide-out" 4478, 4481
0.2	4	4759G5251	small window 4489 Santa Fe
0.2		4754C7821	small window 4496 Cheyenne
0.2		4756H6761	small window 4481 Utah
0.2		4769-8741	small window 4491 Sun Valley
0.2		4757M5871	small window "w/tipout" 4478 Bayside
0.15	5	4759H5261	door seal 4489 Santa Fe
0.15		4754C7811	door seal 4496 Cheyenne
0.15		4756J6771	door seal 4478 Bayside, 4481 Utah
0.15		4769-8731	door seal 4491 Sun Valley
	6	8118501430P	top vinyl pkg. (85" x 3 yards)
	7	4716C0851	sunbrella patch package (12" x 14")
	8	6650500131F	zipper (sold/yard) used around window
		1225A4461	zipper pull m5
	9	8118001439P	bottom vinyl facing pkg. "blue" (3 yd. x 80")
	10	4714E1611	screen package (84" x 3 yards)
		4714A0361	screen package (84" x 13 yards)
	11	4350000009P	1" velcro hook (10' pc. Pkg.)
	12	4716A2401	clear window vinyl (42 1/2" x 3 yards)
	13	1225-3678	47 1/2" side zipper pin half
		1225-3688	47 1/2" side zipper slider half
0.5	14	4060000245CP	shock cord (150' package)
0.5		4714C6021	shock cord & hooks m2 (two 14' lengths)
0.15		4724A2011	shock cord termination (plastic hook) m10
	15	4060000024F	arrowhead seal (sold/foot)
0.3	16	4735D6721	extension harness
0.5	17	4743-1588	k-kote seam sealer
	18	4728-5641	tent retainer pkg.
0.3	19	4710-1001	vinyl daubing "white" m2
0.3		4710-1011	vinyl daubing "grey"
0.3		4710A1021	vinyl daubing "blue" m2

<b>Drape Package (Less Valance Pkg.) Flat Rate .30</b>		
<b>Note: Package includes privacy curtains</b>		
<b>Model</b>	<b>Drape Pkg.</b>	<b># Of Panels</b>
4489 Santa Fe	4754R5711	9
4496 Cheyenne	4754R5501	8
4491 Sun Valley	4755P6181	11
4478 Bayside	4755R2981	12
4481 Utah	4757P5531	13

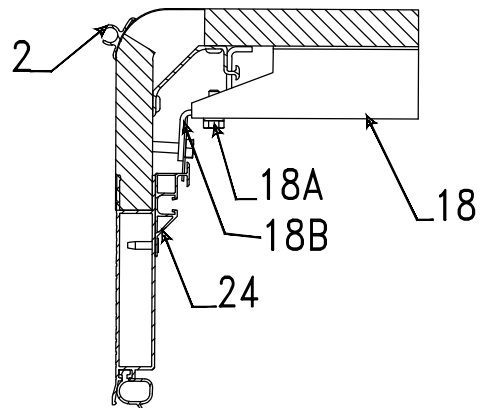
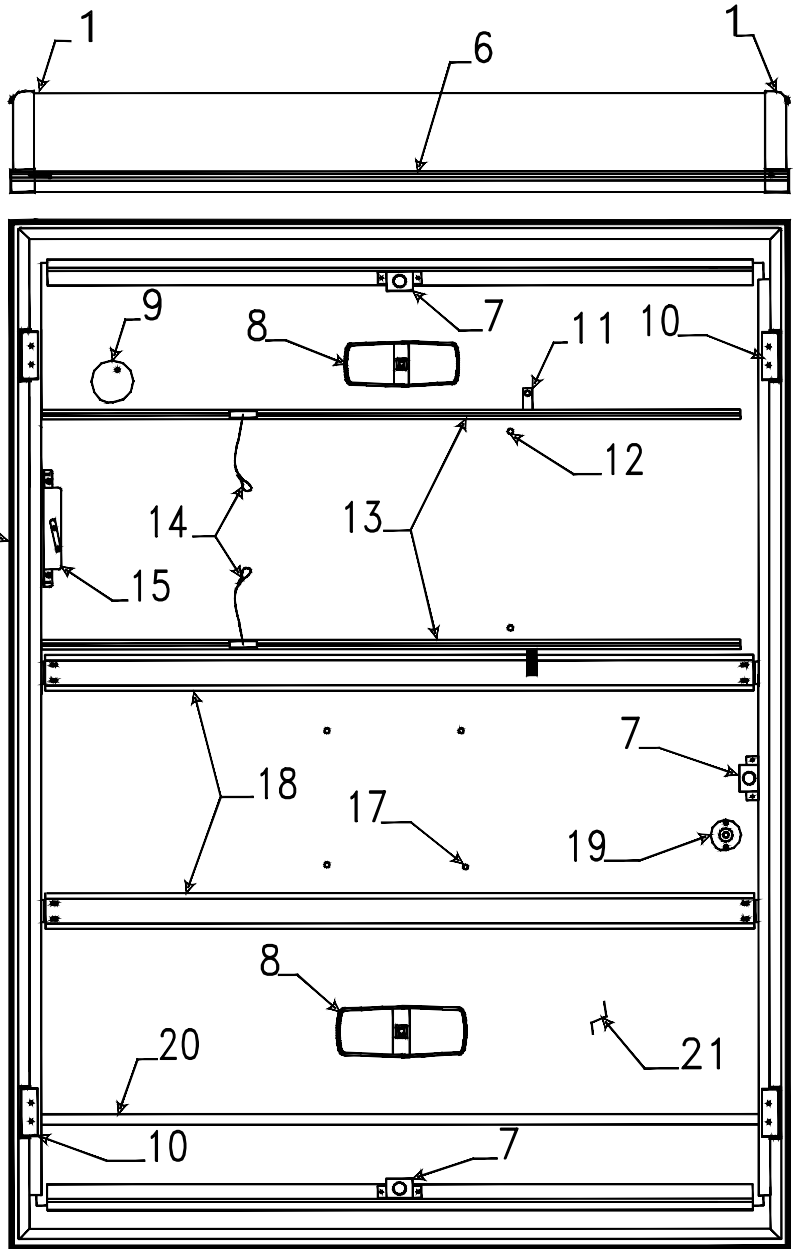
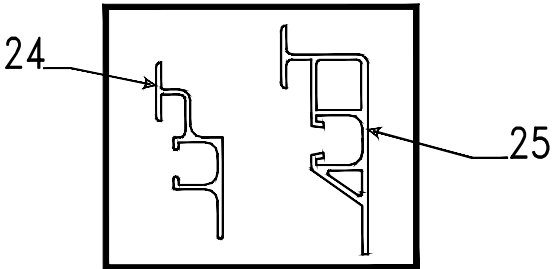
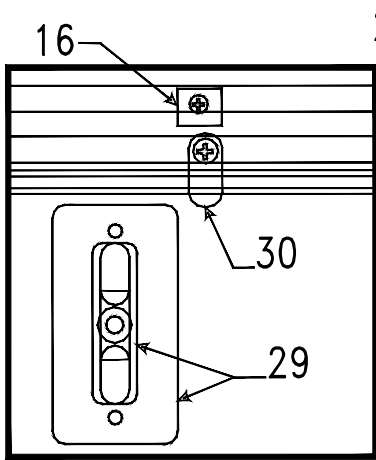
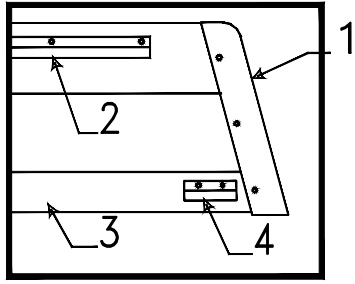
<b>Privacy Curtain Pkgs. (Set of 2 Panels)</b>	
.15 4713A2981 - 4478,4481	
.15 4713-5831 - 4489,4491,4496	

<b>Drape Tie Package (Qty. 1) - 4767A8371 4489,96,91</b>	
Flat Rate - .05	4767C3871 4478,81

<b>Tip-out valance - 4757G4951 - 4478</b>	
Flat Rate - .20	4769-8481 4491

<b>Drape Tab C-Shape m60 - 4750-2891 Flat Rate - .05</b>	
4768G6181 - 4489 Santa Fe	
4768G6171 - 4496 Cheyenne	
4767B7231 - 4491 Sun Valley	
4757D7041 - 4478 Bayside, 4481 Utah	

<b>Single Drape Panel w/Safety Straps</b>			<b>Glide-Out Curtain &amp; Valance - Flat Rate - .20</b>	
.15 4713A1431	Single Drape Panel 43 1/8" x 47"	4481		
.15 4713B1351	Single Drape Panel 35" x 47"	4489	<b>Potty Curtain Pkg. 4478, 4431 - 4756L8401</b>	
.15 4713B1261	Single Drape Panel 26" x 47"	4489	(Factory Installed CSF Potty Cab.)	
.15 4713A1221	Single Drape Panel 21 1/2" x 47"	4481,78	Flat Rate - .20	
.15 4713A1201	Single Drape Panel 51" x 45"	4496		
.15 4713A1211	Single Drape Panel 48 1/2" x 45"	4491		
.15 4713A1231	Single Drape Panel 22" x 45"	4491		
.15 4713A1241	Single Drape Panel 33 1/2" x 45"	4496		



4768B7551	Top Assembly 4489 Santa Fe
4768C7651	Top Assembly 4496 Cheyenne
4768H5061	Top Assembly 4491 Sun Valley
4768J5221	Top Assembly 4478 Bayside
4755F7491	Top Assembly 4481 Utah

3.00 Top Replacement | 1.50 For A/C | 1.00 For Crossbars | .50 For Disposal

FR	Code	Part #	Description
0.5	1	4741F1991	plastic corner cap csf/rsr (1 cap per pkg.)
0.5		4741F1981	plastic corner cap rsf/csr (1 cap per pkg.)
		4356500043P	butyl tape 1" x 3/16" (20' pc.)
		4350000022F	foam tape 1/2" wide x 1/4" thick (sold/foot)
		4759-1401	flat head screw 3/4" "stainless steel" x2, M12
	1A	4767-9001	flat head tek screw 3/4" "white" x2, M12
	2	3530900243P	canopy/rack track extrusion
	3	4754F9801	side seal extrusion 4491,4481,4478
		4768-2711	side seal extrusion 4489, 4496
0.15	4	4769-2541	top strike csf (used x1)
0.15		4750A9581	top strike m2 (used x3)
		4744C2461	torx head screw "painted" m2
		1201B6958	nut (x2 per strike)
		4702-2961	strike foam gasket m4
	5		
	6	4756A0681	end seal extrusion frt./rear
0.15	7	4767A9081	tent support bracket x2 4478, 4481
		4768-1121	tent support bracket x2 4496,4491,4489
		4733F41361	screw m12
0.15	8	4744G4741	double light
		1103B1028	screw x4
0.15	9	4767-4641	carbon monoxide detector
0.25	10	4741B5431	lift pocket x4
		1201B6378	lock nut 1/4-20
0.15	11	4723A5061	strap x2
	12	4730A3548	stud w/screw x2
0.3	13	4733H47181	screen door track x2
		4744B4611	expansion rivet m25
0.15	14	4734D5211	screen door cable m6
0.2	15	4749C5571	screen door bracket
		4747-2558	expansion rivet m25
		4749-2138	snap button m2
		1203-8631	rivet m25
0.05	16	4750-2891	drape tab c-shape m60
	17	1203-9258	plastic accordion rivet m25
	18	4800-4811	a/c brace 4481,4478
		4767A3631	a/c brace 4496,4491,4489
	18A	4738A0898	hex bolt
		1202E0408	washer
	18B	4800-6861	a/c brace mounting bracket x2 ,4478,4481
		4754A7031	a/c brace mounting bracket x2 4496,4491,4489
0.15	19	4756A8291	aux. light jack w/rivets
0.2	20	4350400004F	vinyl seam tape (sold/foot)
	21	6009435020P	ceiling panel 4' x 8' sheet
	22		
0.5	23	4060100399P	rubber top seal "sides" (40' package)
0.5		4060100398P	rubber top seal "frt./ rear" (16' package)
	24	4767-9111	side tent/drape track 4478,4481
		4756D0671	front&rear cove ext 4496,4489,4491
		4769A2511	side cove ext. 4489,4496
		4769B2531	side cove ext. 4491
		4068800093P	side tent/drape track (must cut to size)4489,4496,4491
	25	4767-9101	frt./rear tent/trape track 4478,4481
		4068800092P	frt./rear tent/trape track 4489,4496,4491
	26		
	27		
	28		
0.15	29	4743A2501	screen door latch & plate assy. (2 per pkg.)
0.2	30	4728A5641	tent retaining pkg.