



FOLDING TRAILERS

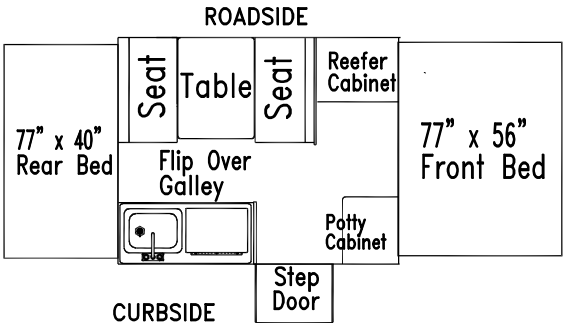
2009

Destiny Series
Repair Parts Catalog

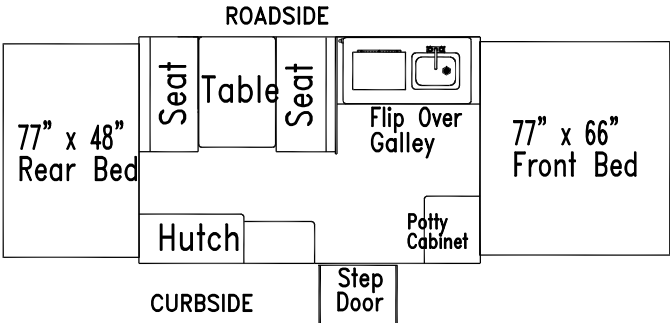
4376 Sedona 8'
4356 Yuma 9 1/2'
4388 Sea Pine 11'
4327 Westlake 12'

2009 DESTINY SERIES

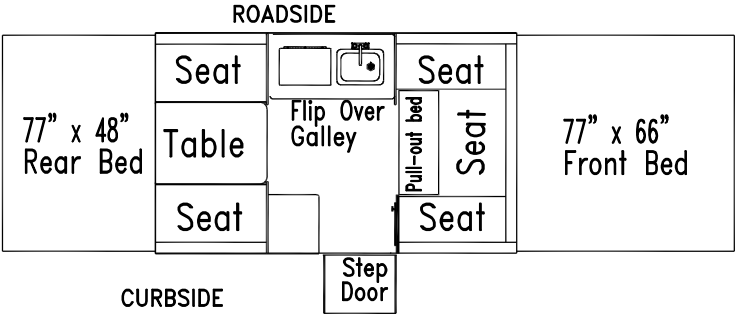
4376 Sedona 8'



4356 Yuma 9 1/2'



4388 Sea Pine 11'



4327 Westlake 12'

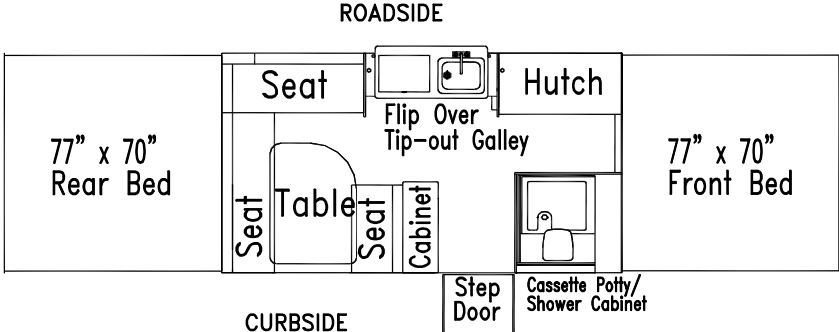
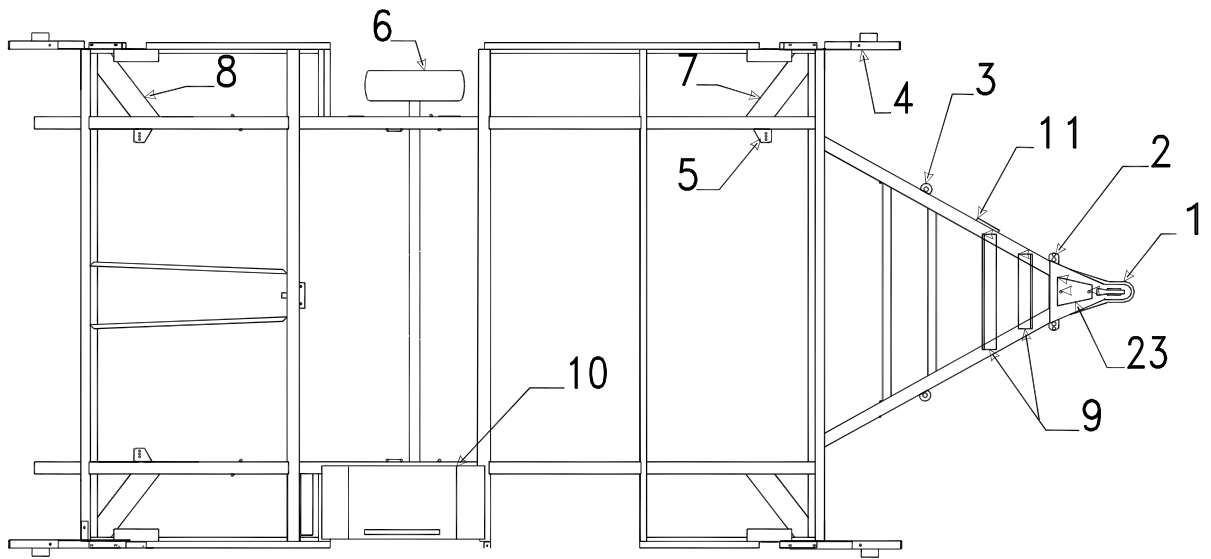


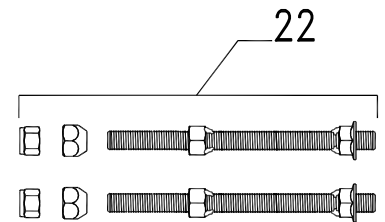
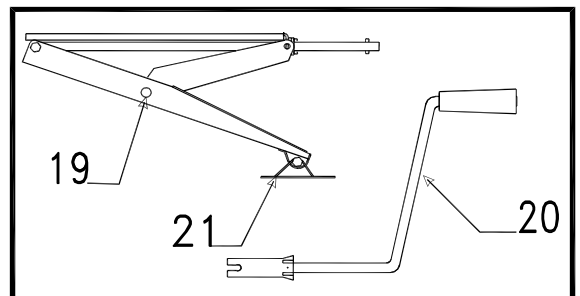
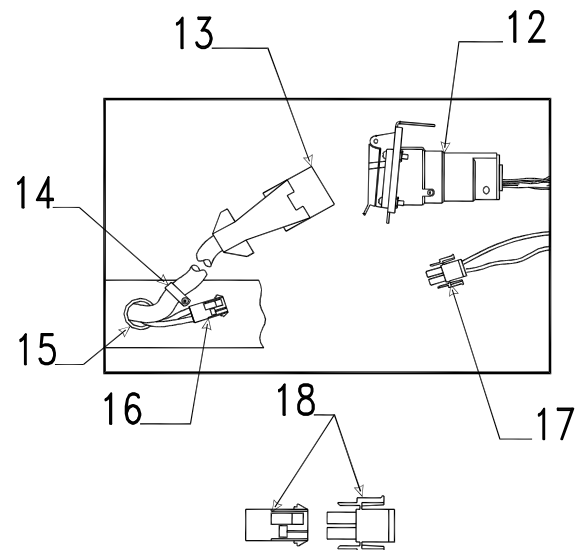
TABLE OF CONTENTS	
DESCRIPTION	PAGE
Access door key	32
Access door assembly & related parts	10
Auto extension	24
Axle assemblies & related parts	3
Backrest assemblies & covers	34
Bed assembly components	28, 29
Bed extensions & related parts	28
Body panel right rear (curbside)	8
Body panel left side (roadside)	11
Body panel front & rear	7
Body panel right front (curbside)	9
Bumper & related parts	7
Cabinet assy. csf corner - 4356, 76	20
Cabinet assy. csr doorway - Westlake	21
Cabinet assy. rsf (reefer cabinet) Sedona	20
Cabinet "curbside rear" - Sea Pine	22
Carbon monoxide detector	37
Carpet (interior step assy.)	24
Cassette potty - Westlake	23
Caulking	24
Converter & related parts	15
Cooler (built-in)	16, 17
Corner bulkhead assembly	2
Coupler assembly	2
Crank-up/crank-down components	4
Crank handle	32
Cushion assemblies & covers	34
Door bulkheads	6
Drain assy./drain hose (used on sinks)	12
Drape packages & related parts	35
Electric brakes & related parts	3
Fire extinguisher & components	21
Floor covering	2
Frame assembly & related parts	2
Furnace vent (exterior)	9, 11
Furnace grill (interior)	16, 17, 21
Gas bottle cover (black vinyl)	33
Gas bottle mounting brackets	32
Gas bottle & related parts	33
Gas detector	20
Gas hose (gas bottle hook-up)	33
Gas quick disconnect (outside stove/grill)	33
Grease cap (dust cap)	3
Hub assembly & related parts	3
Hutch assembly "curbside" - Yuma	22
Hutch assembly "rsf" - Westlake	19
Lift assemblies & related parts	5
Lift trim & miter covers	8, 9, 11
Lower galley components - Yuma	17
Lower galley components - Sea Pine	16
Lower galley components - Westlake	19
Lower galley components - Sedona	18
Lug wrench	32
Mattress assemblies & covers	35
Paint (spray & quart can)	24
Paneling & trim	24
Parts package & components	32
Pedestal table leg kit - Sedona	13
Potty/shower stall - Westlake	23
Pigtail (car end)	2
Power cord (converter)	20
Power lift components	4

DESCRIPTION	PAGE
Receptacle (exterior)	8
Receptacle (interior)	20
Refrigerator vents	11
Refrigerator wood insert panel	20
Regulator & fittings	33
Safety chains	32
Screen door & related parts	25
Seat bench component parts	26
Shower "outside shower assy."	11
Shower stall components - Westlake	23
Shower cover board - Westlake	23
Shower curtain rod - Westlake	37
Sink & related parts	12
Spare tire cover (black vinyl)	2
Spare tire mount bracket	7
Spare tire bolt/nut package	2
Stabilizer assembly	2
Stabilizer handle/lug wrench combo	32
Step components (pullout exterior step)	6
Step components (interior carpeted step)	24
Stove components (stationary/lift-out)	14
Table assemblies & related parts	13
Taillights (rear body panel)	7
Tent support assemblies & related parts	27
Tenting & related parts (sunbrella)	36
Thermostat (Hydro Flame)	20
Thrust bearing	4
Tie backs (curtains)	35
Tip-out tent support/bow - Westlake	27
Tire & rim	2
Tire cover "black vinyl"	2
Tire mount bracket	6
Tongue jack & related parts	6
Top assemblies & related parts	37
Trim tape kits	6, 7, 8, 9
Upper galley components - Yuma	17
Upper galley components - Sea Pine	16
Upper galley components - Westlake	19
Upper galley components - Sedona	18
Valance package	35
Water heater	31
Water heater door (exterior)	11
Water pump components	12
Water system & related parts	30, 31
Wheel well	2
Whiffletree & related parts	5
Zippers (tenting assemblies)	36

Axle/Brakes - Dexter	574/295-7888
Cassette Potty - Thetford	800/354-4135
Converter - World Friendship Co	800/900-2468
Furnace - Hydro Flame #7916-11	800/546-8759
Hand pump - Leisure Components	562/865-0401
Power Lift - Barker	888/367-6978
Refrigerator - Dometic	800/216-5115
Over/Range - Atwood Greenbrier	800/646-8557
Stove/Grill - Vitco	877/825-8528
Tires - Kenda	800/225-4714
Water heater - Suburban #5031E	423/775-2131
Yakima bike rack - to obtain repair parts	800/925-4621

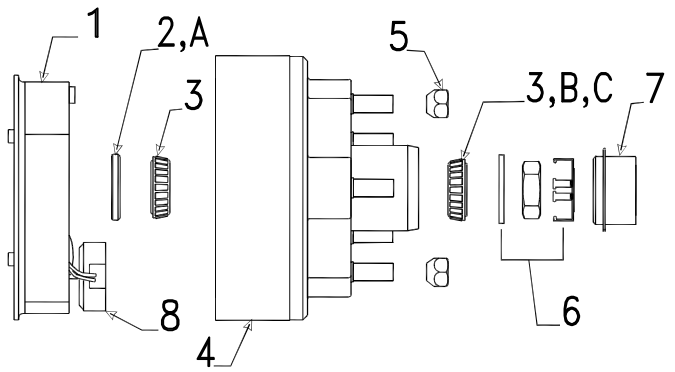


Frame Assembly Component Parts			
Flat Rate	Code	Part #	Description
1.50	1	4772-4231	coupler assembly 2" (dexter tcan0251)
0.75	2	4748-6611	chain bar w/pins (dexter sub 0937)
0.50	3	4758-0381	bed leg pin & washer (dexter pc 14& hw0014)
0.10		4747-8941	pin cover m2 (plastic)
2.00	4	4769B5451	corner bulkhead csf/rsr 4356, 88, 27
2.00		4769B5441	corner bulkhead rsf/csr 4356, 88, 27
2.00		4769C6531	corner bulkhead csf/rsr 4376 Sedona
2.00		4769C6541	corner bulkhead rsf/csr 4376 Sedona
		1203C8751	rivet m25 (rivet bulkhead to frame)
0.75	5	4732E3671	adjustable pulley brkt. X4 (dexter cs0024)
0.50		4715A5371	pulley & bearing m10
		4720C1578	short pin m4
		1204B1081	cotter pin m10
0.25	6	4757A2468	tire & rim 13" 4388, 4327
0.25		4754C1558	tire & rim 12" lr "C" 4356, 76
		4747G4841	black vinyl tire cover 12" tire
		4723H3161	black vinyl tire cover 13" tire
	7	4755B6651	stabilizer gusset rsf/csr (sub 00812)
	8	4755B6641	stabilizer gusset csf/rsr (sub 00813)
	9	4716A7151	frt./rear battery angle pkg.
2.00	10	4759-0931	wheel well assy. x2 4356, 88, 27
2.00		4755D7301	wheel well assy. x2 4375, 4376
		4060000589P	bulb seal "black" (6' pc. pkg.)
0.75	11	4720B3331	jack bracket (welded to tongue)
	12	4746A5591	pigtail - "car end" (Bargman plug)
	13	4716-5871	wire harness repair kit
	14	1201-8738	3/8" clamp
		1203C8721	steel rivet m25
	15	4742-8108	1 1/4" snap bushing
	16	4716A5001	12 volt power harness
0.15	17	4749B5531	12 volt wire harness m2
	18	4716A4701	12 volt cap & plug m2
0.25	19	4751B3351	stabilizer (screw down)
	20	4747G4141	crank handle
0.10	21	4755A6841	sand shoe (pkg. of 4)
0.25	22	4772A4101	spare tire mount kit
	23	4767A8731	coupler hole cover plate

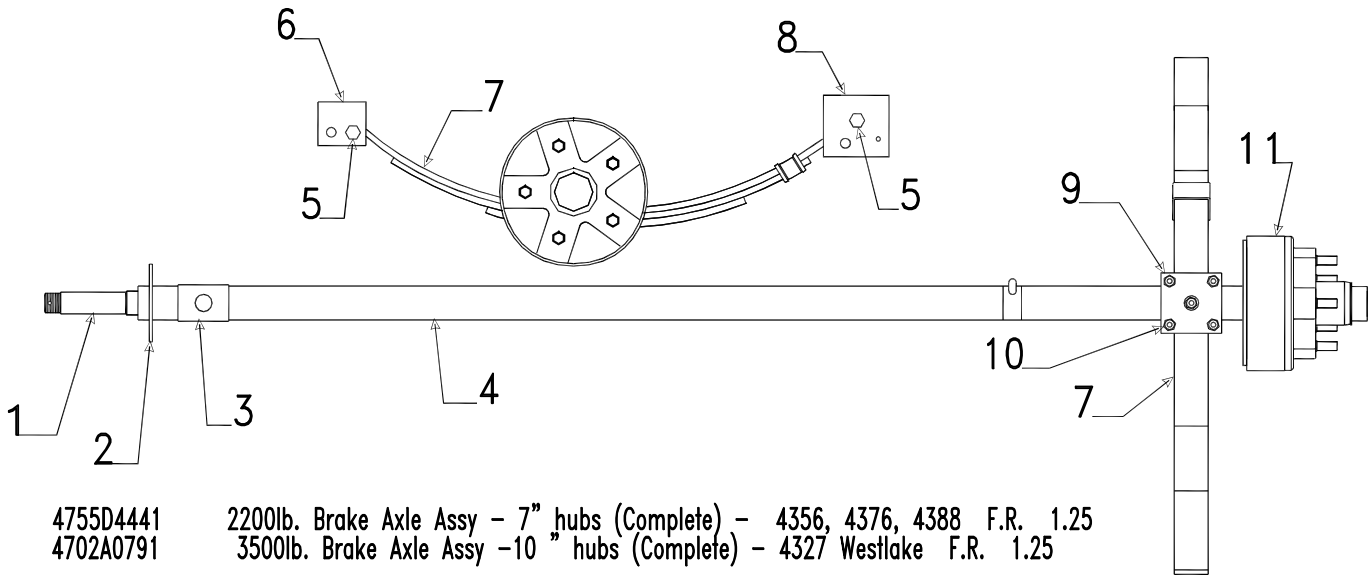


* 6610007213P floor covering pkg. (7 1/2' x 14')
 * Prior Authorization Needed From Factory

Flat Rate .50 Per Side			
Electric Brake Pkg. 7" x 1 1/4" (4714H2011)			
Flat Electric Brake Pkg. 10" x 2 1/4" (4714J2011)			
Rate	Code	Part #	Description
0.5	1	4733A3521	7" brake assembly (right hand)
0.5		4733A3531	7" brake assembly (left hand)
0.5		4716-6251	10" brake assembly (right hand)
0.5		4716-6261	10" brake assembly (left hand)
0.5	2	4714A2201	7" grease seal x1 m4
0.5		4716-1441	10" grease seal x1 m4
0.5	3	4716-1101	7" bearing, race & seal pkg.
0.5		4716-1451	10" bearing, race & seal pkg.
0.3	4	4716A1071	7" hub & drum x2
0.3		4716-1431	10" hub & drum x2
0.05	5	4747A9528	lug nuts x5
0.1	6	4714A3061	retainer package
0.05	7	4714C0621	EZ lube grease cap m4
0.4	8	4716-2881	10" magnet, spring & clip pkg.



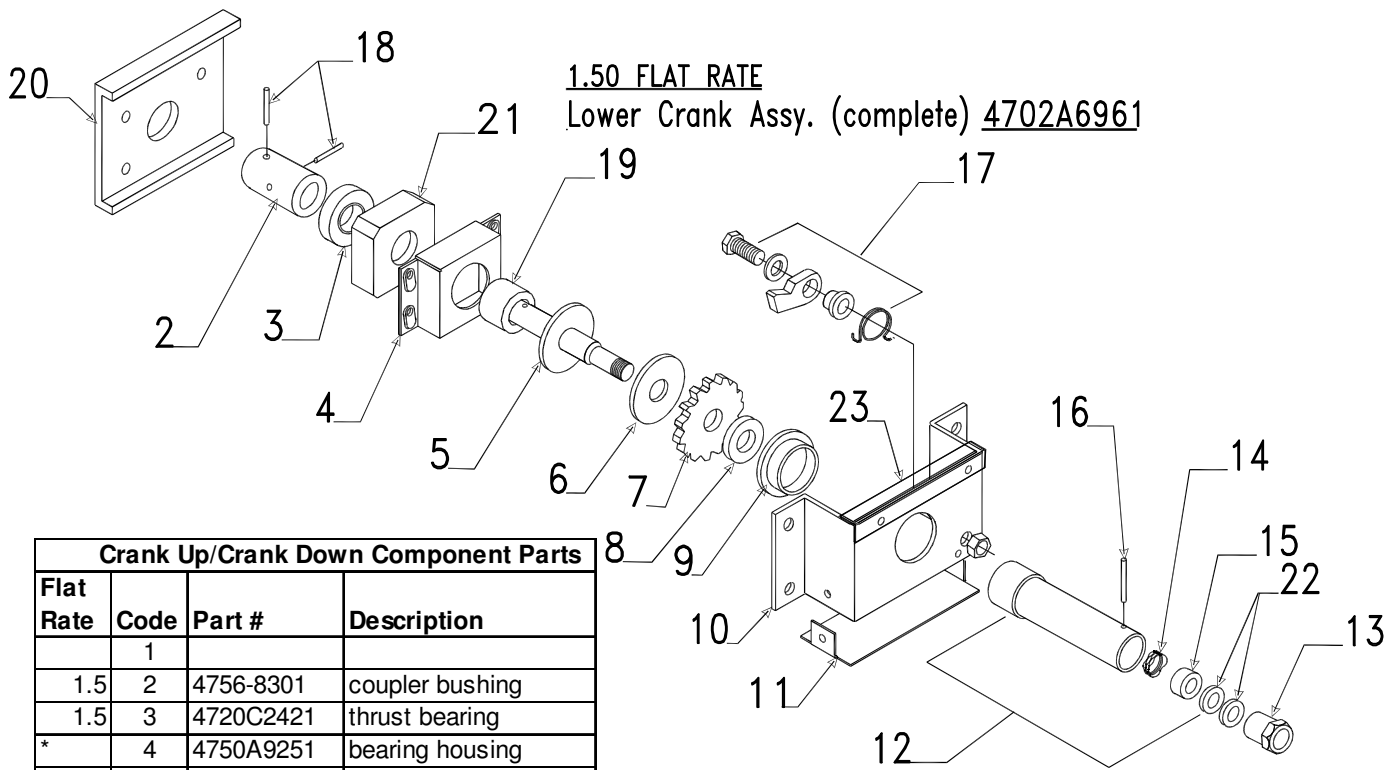
Crossover Numbers To Purchase Locally	
A	13194TM or 198138SP21 Grease Seal (7" hub) 171255VB Grease Seal (10" hub)
B	L44649 Bearing (7" hub x2/ 10" hub x1 "outer") L68149 Bearing (large inner x1 10" hub only)
C	L44610 Race (7" hub x2/10" hub x1 "outer") L68111 Race (large inner x1 10" hub)



4755D4441 2200lb. Brake Axle Assy - 7" hubs (Complete) - 4356, 4376, 4388 F.R. 1.25
 4702A0791 3500lb. Brake Axle Assy - 10" hubs (Complete) - 4327 Westlake F.R. 1.25

NOTE: limited parts stocked for 3500LB. Dexter Axle, for required part (s) phone - 219/295-1900

Axle & Spring Components							
Flat Rate	Code	Part #	Description	Flat Rate	Code	Part #	Description
*	1	4741B8491	spindle - 2200 lb. axle	0.75	7	4735G2201	leaf spring 4356, 88,76
*	2	4741A8471	brake plate	0.75		4735H22081	leaf spring 4327 Westlake
*	3	4741-8461	spring pad channel m2				
1	4	4716F6251	axle beam - 2200 lb. axle	2	8	4741C3398	spring shackle (front)
0.25	5	4737A1318	shackle bolt	0.5	9	4741-8458	u-bolt plate - 2200 lb. Axle
		4741-9498	shackle bolt nut		10	4741-9358	u-bolt nut - 2200 lb. axle
2	6	4741A3398	spring shackle (rear)		11		Note: refer above for hub & components
* PRIOR AUTHORIZATION NEEDED FROM FACTORY							

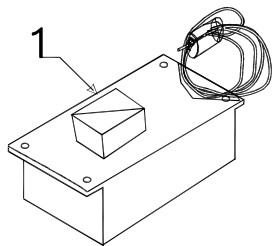


1.50 FLAT RATE
Lower Crank Assy. (complete) 4702A6961

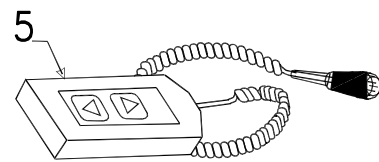
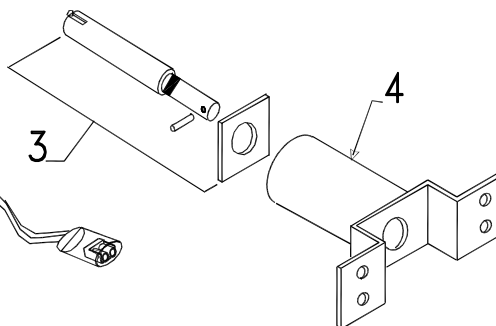
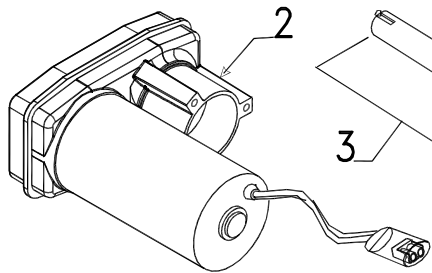
Crank Up/Crank Down Component Parts			
Flat Rate	Code	Part #	Description
	1		
1.5	2	4756-8301	coupler bushing
1.5	3	4720C2421	thrust bearing
*	4	4750A9251	bearing housing
		4738A0898	hex bolt x4
*	5	4751A3701	drive shaft & nut
*	6	4751-3561	pressure plate
*	7	4751-4831	ratchet wheel
*	8	4751-3581	pressure washer
*	9	4751A3591	shaft bushing
*	10	4751B3691	crank housing
		4731-3878	hex head bolt x4
		1201B6038	lock nut x4
*	11	4751-3721	housing cover plate
		1203-8641	rivet m25
0.75	12	4716A1741	drive hub ext. pkg.

Note: pkg. Includes parts marked w/* asterisk

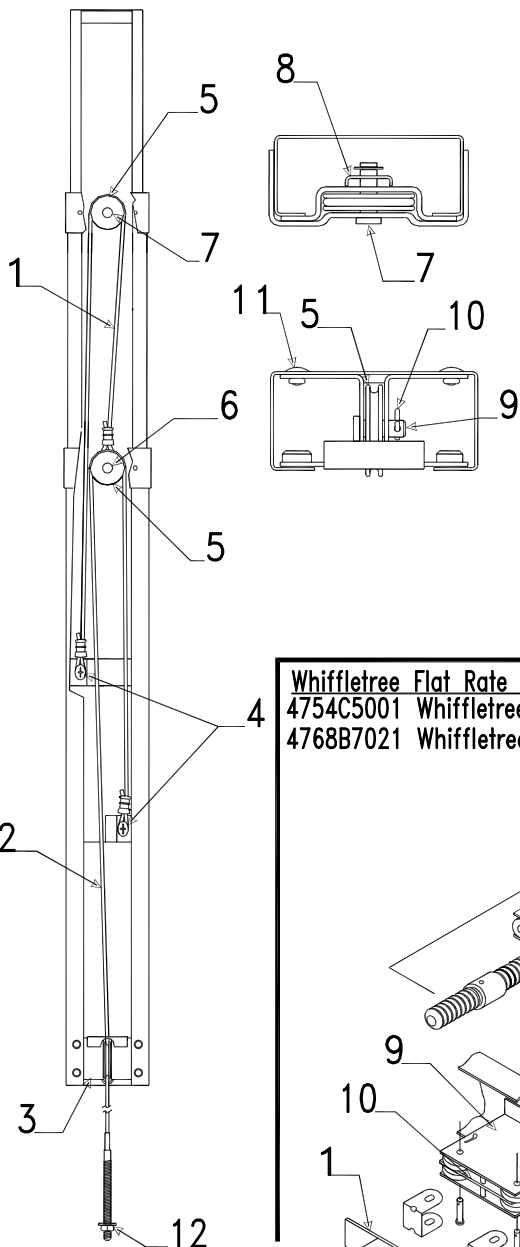
FR	Code	Part #	Description
	13	*4751B3551	5/8" nut
0.5	14	*4752-3921	handle spring x1 m2
0.5	15	*4751-4671	nylon washer x1
0.1	16	*4747A9451	spiral roll pin x1 m6
0.6	17	4716-1221	ratchet pawl pkg.
1	18	4744B1301	shear pin x1 m10
1.5	19	4756A8311	spacer bushing
	20	4720F2411	plate "painted"
1.5	21	4756-8441	bearing house square spacer
	22	4757-3938	washer x2
	23	4767-0081	crank cover "top"



Power Lift Components			
Flat Rate	Code	Part #	Description
0.25	1	4768A0681	current limiter
1.5	2	4767C6461	power head motor
1.5	3	4768-0851	6" adapter, pin & square washer
1.5	4	4768-0671	mounting weldment
0.05	5	4768A0691	hand controller

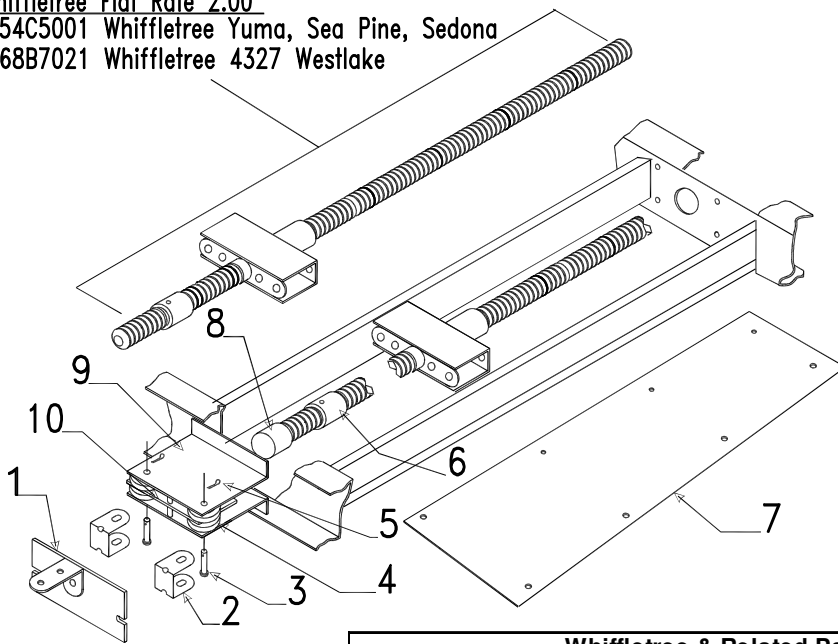


1.25 Lift Assy. Flat Rate
 4716A0031 lift assembly roadside rear/curbside front
 4716A0041 lift assembly roadside front/curbside rear

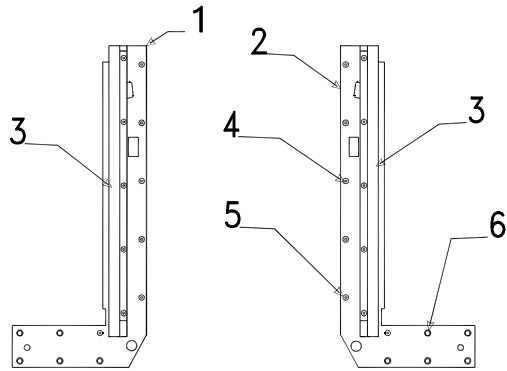


Lift Assembly Component Parts			
Flat Rate	Code	Part #	Description
0.75	1	4720D5271	cable assy. x1 m2
		4720C1691	cable crimp m20
1.25	2	4773A2291	225 3/4" long cable & crimp (All)
		4744-1318	copper cable crimp m10
1.25	3	4731C5801	butterfly bracket assy.
0.05	4	4749-2081	screw m6
0.5	5	4715A5371	steel pulley & bearing m10
0.25	6	4747-8931	long pin x2
		4730B0981	retaining ring m12
0.25	7	4749-4061	short pin m4
		4730B0981	retaining ring m12
0.25	8	4749A2028	retaining clip
0.45	9	4720C1578	lift pin m4
	10	1204B1081	cotter pin m10
	11	1203-8641	rivet m25
	12	1201B6378	1/4" lock nut
		1202E0408	washer

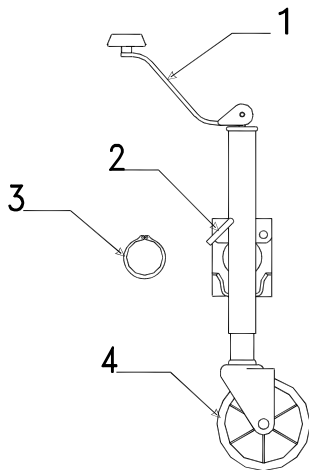
Whiffletree Flat Rate 2.00
 4754C5001 Whiffletree Yuma, Sea Pine, Sedona
 4768B7021 Whiffletree 4327 Westlake



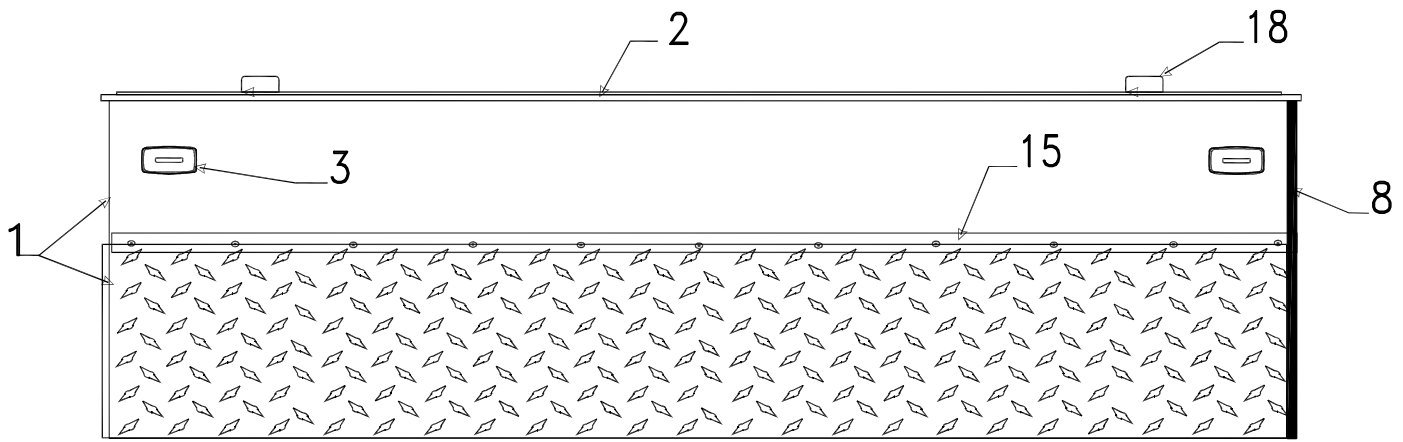
Whiffletree & Related Parts			
Flat Rate	Code	Part #	Description
0.15	1	4749A8211	mud flap & brkt.
0.5	2	4744B1741	cable retainer x2
0.2	3	4720J1561	long pin m4
0.5	4	4715A5371	pulley & bearing m10
0.1	5	1204B1081	cotter pin m10
1.6	6	4710C4248	3/4" bushing
1.6	6	4773-8808	2 1/4" bushing
		4744B1301	solid shear pin 1" m10
0.25	7	4752D4921	whiffletree pan cover
		4744A0501	tek screw m25 (fasten cover in place)
2	8	4730D1291	screw socket (welded)
2	9	4720C1578	pulley plate
0.5	10	4720F1541	pulley spacer



Access Door Bulkheads & Components			
Flat Rate	Code	Part #	Description
1.25	1	4768-6821	csr bulkhead 4356,4388,4327
1.25	1	4769-9031	csr bulkhead 4376 sedona
1.25	2	4768C6831	csf bulkhead 4356,4388,4327
1.25	2	4769-9041	csf bulkhead 4376 sedona
0.35	3	4745D0811	rubber door seal
	4	1203-8641	rivet m25
	5	1203-8978	countersunk rivet m25
	6	4744A0501	hex head tek screw m25

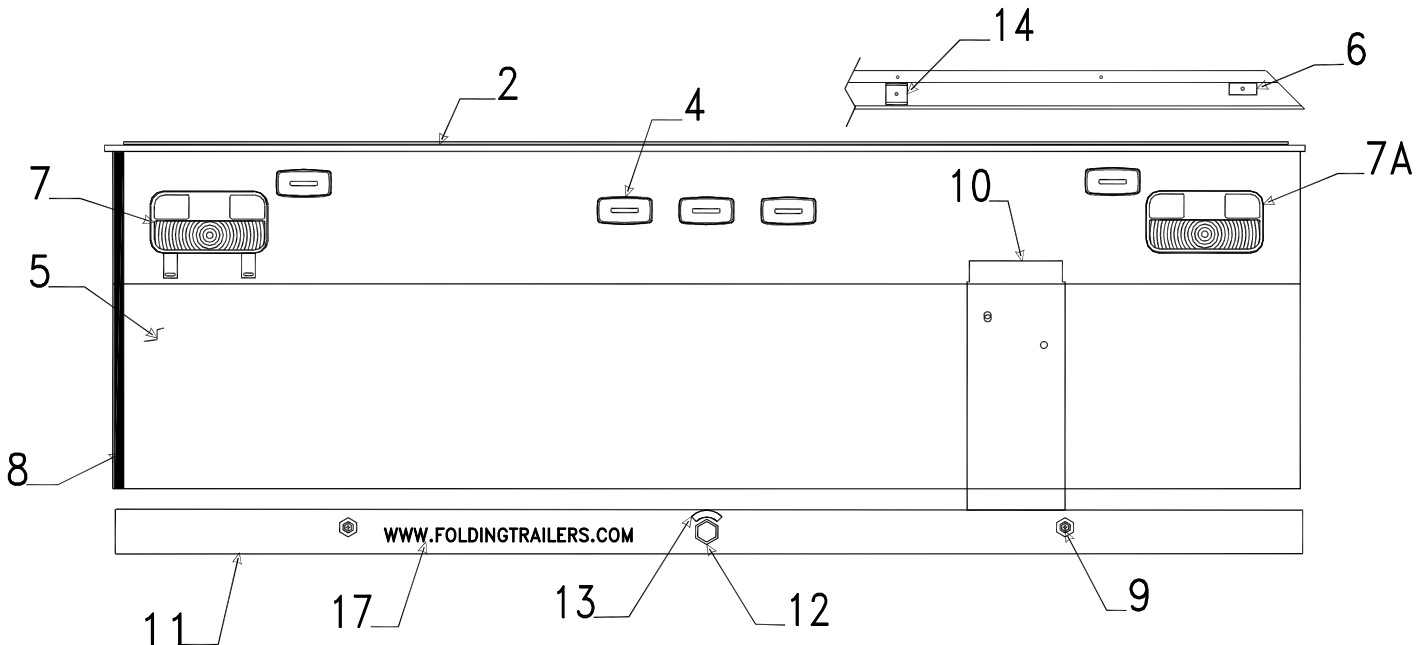


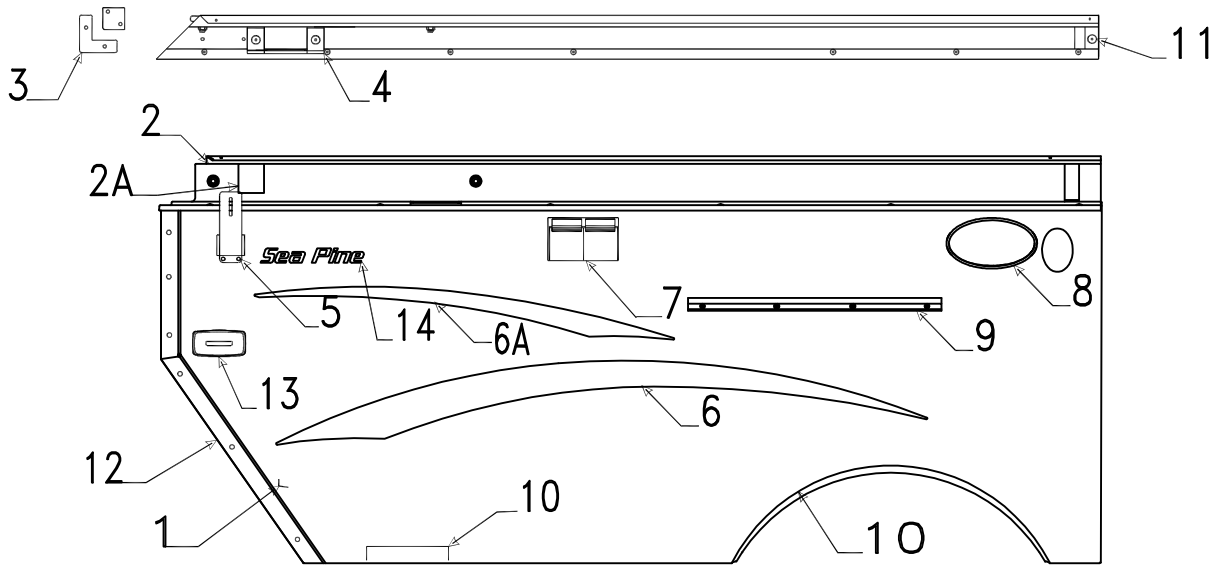
Flat Rate .10 Jack Removal Tongue Jack Assembly (4720C6661) "Norco"			
Flat Rate	Code	Part #	Description
0.15	1	4716-1951	jack handle kit
0.15	2	4716-1981	locking plunger kit
0.1	3	4720A3341	snap ring
0.25	4	4716-1971	jack wheel nut & bolt



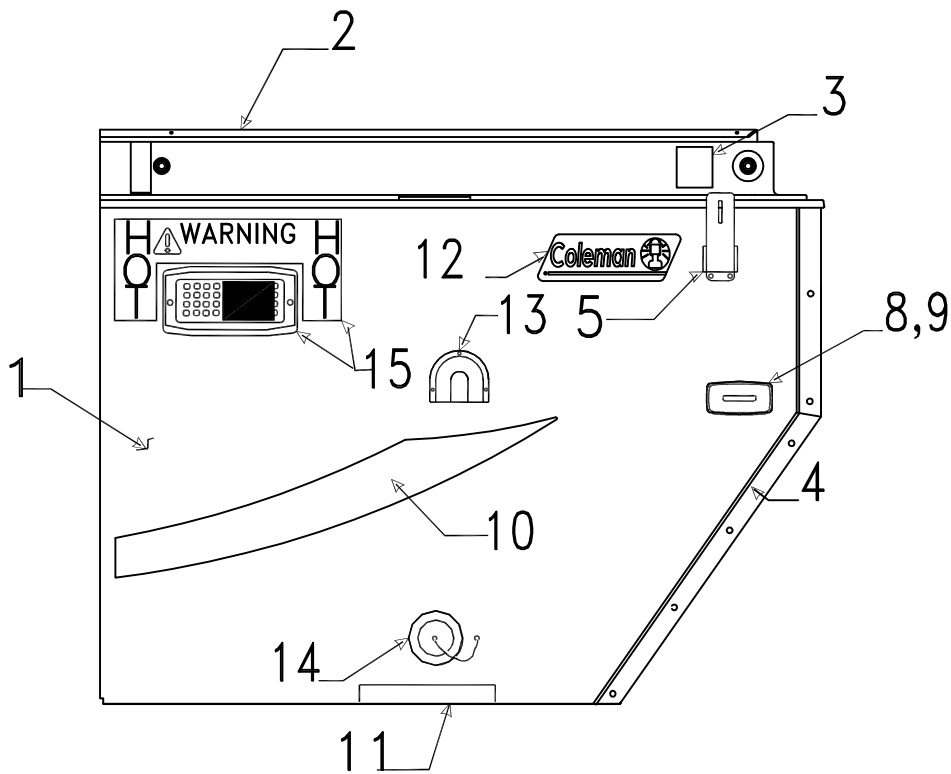
* 1.50 Flat Rate Front Panel/2.50 Rear Panel

Front & Rear Body Panel Components				Front & Rear Body Panel Components			
Flat Rate	Code	Part #	Description	Flat Rate	Code	Part #	Description
*	1	4716B2061	2 pc. frt. body pnl. 4356, 88, 27	0.2	7A	4749B4321	taillight
*		4713A7041	2 pc. frt. body pnl. 4376 Sedona	0.1		4716A1061	taillight lens
0.75	2	4759C1951	frt./rr end rail 4356, 88, 27	0.1	8	4060000023P	d-seal pkg. (5' pc.)
0.75		4759B4941	rear end rail 4376 Sedona	0.25	9	1032B24248	bolt x2
		1203-8651	rivet x5 m25			1202B0468	washer x6 m10
0.15	3	4714J08481	amber marker light			1202B1068	washer x2
0.1		4716A4571	amber lens (lens only)			1201B6068	nut x2
0.25		4733H1311	socket & harness	0.25	10	4769B5241	tire mount 4327, 56, 88
		4747-2558	expansion rivet m25	0.25		4769C6521	tire mount 4376 Sedona
0.15	4	4714J08581	red marker light	0.3	11	4759-2261	bumper 4388, 4356, 4376
0.1		4716A4561	red lens (lens only)	0.3		4767-9871	bumper 4327 Westlake
*	5	4759B2071	rear body pnl. 4356, 4388, 4327	0.1	12	4733-2741	2" snap bushing
*		4759D9101	rear body pnl. 4376 Sedona	0.1	13	4730J3188	open decal
		1203-8651	rivet m25	0.15	14	4754B8921	nylon bed ramp & screw
0.15	6	4754A8491	nylon bed rest & screw	0.2	15	4767-3691	trim cap
0.2	7	4765-3511	taillight w/license brkt's			4734C1861	rivet m25
0.1		4716A1051	taillight lens		16		
				0.1	17	4769-9218	www.com decal

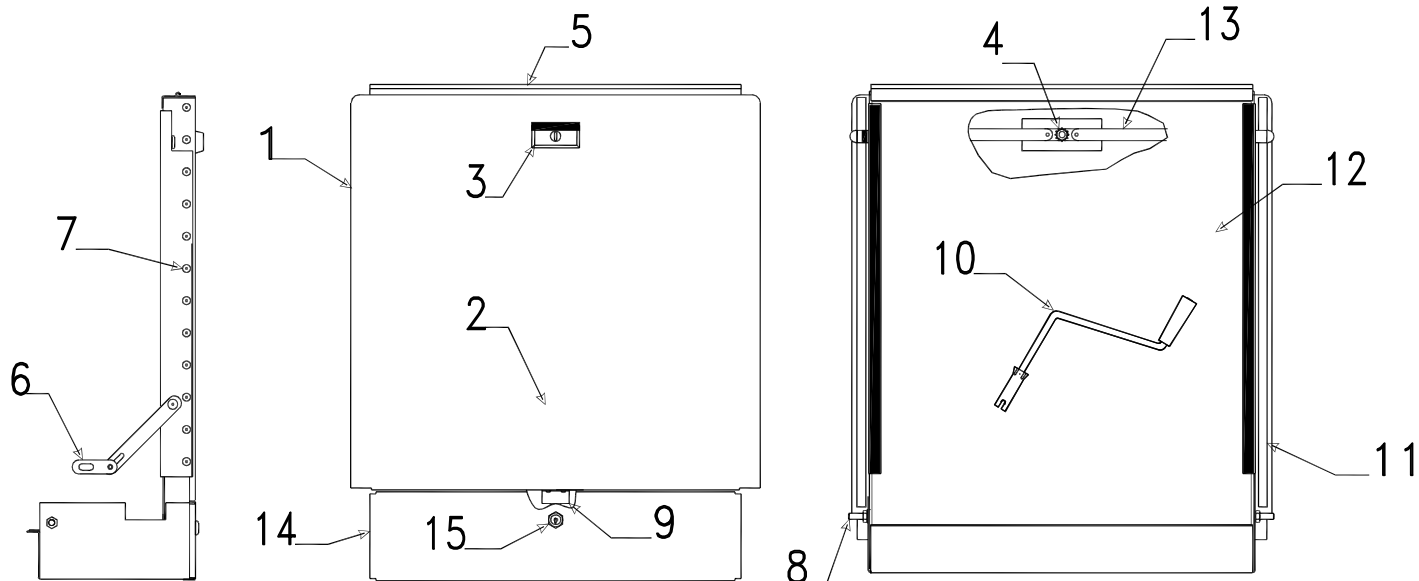




4716-8291 Curbside Decal Swoosh \Hardware Kit			
Curbside Right Rear Body Panel & Components			
FR	Code	Part #	Description
1.000	1	4759K2051	csr body panel 4356,4388
1.000		4767D9841	csr body panel 4327 Westlake
1.000		4759P9131	csr body panel 4376 Sedona
1.000	2	4759F2021	csr body rail 4356,4388
1.000		4767D9851	csr body rail 4327 Westlake
1.000		4749F9761	csr body rail 4376 Sedona
0.100	2A	4716-2771	vel-stick body rail pkg.
0.150	3	4716-7061	miter cover pkg. m4
0.250	4	4734F4121	lift trim pkg. m4
		4733-3398	nylon flange bushing x2
0.150	5	4741C6041	top latch w/out lock tab
		4749-4848	foam pad
0.500	6	4769-8521	cs middle swoosh
0.500	6A	4769-8511	cs swoosh
0.250	7	4746A3861	duplex cover & outlet
0.350		4746-3871	duplex box
		1203-8678	rivet m25
0.250	8	4752B9921	porch light
0.100		4716A5511	porch light lens "amber"
	9	4767-3921	stove hanger bracket
		4745-3968	screw
		4744C2461	torx screw m2
		1201B6958	nut X2
	10	4060050008P	foam tape pkg. (12' pc.)
	11	1203-8831	rivet m25
0.300	12	4767-0121	csr corner trim - 4356, 4388, 4327
0.300		4759A9051	csr corner trim - 4376 Sedona
		4745-3968	screw "white" x7
0.150	13	4714J08581	red marker light
0.100		4716A4561	red lens (lens only)
0.250	14	4759C213A8	yuma logo decal
		4767B2088	sea pine logo decal
		4754H3808	westlake logo decal
		4755H481A8	cp logo decal
		4759C9148	sedona logo decal



4716-8291 Curbside Decal Swoosh\Hardware Kit			
Curbside Right Front Body Panel & Components			
FR	Code	Part #	Description
0.85	1	4759F2041	csf body panel 4356,4388
0.85		4759D1381	csf body panel 4327 Westlake
0.85		4759J9121	csf body panel 4376 Sedona
1.000	2	4759G2011	csf body rail 4356,4388
1.000		4767B9861	csf body rail 4327 Westlake
1.000		4747H0561	csf body rail 4376 Sedona
0.100	3	4716-2771	vel-stick body rail pkg.
0.300	4	4767-0131	csf corner trim 4356, 4388, 4327
0.300		4759A9061	csf corner trim 4376 Sedona
		4745-3968	screw "white" x7
0.150	5	4741C6041	top latch w/out lock tab
	6		
	7		
0.150	8	4714J08481	amber marker light
0.100	9	4716A4571	amber lens (lens only)
0.500	10	4769-8501	csf swoosh
	11	4060050008P	foam tape pkg. (12' pc.)
0.250	12	4769-9228	coleman red logo
0.150	13	4757-9261	vent cover "plastic"
0.100	14	4714A2861	shower drain cap & strap
0.100	15	4741C9471	furnace vent 8" 4376 Sedona
0.150		4701-3878	caution decal 4376 Sedona

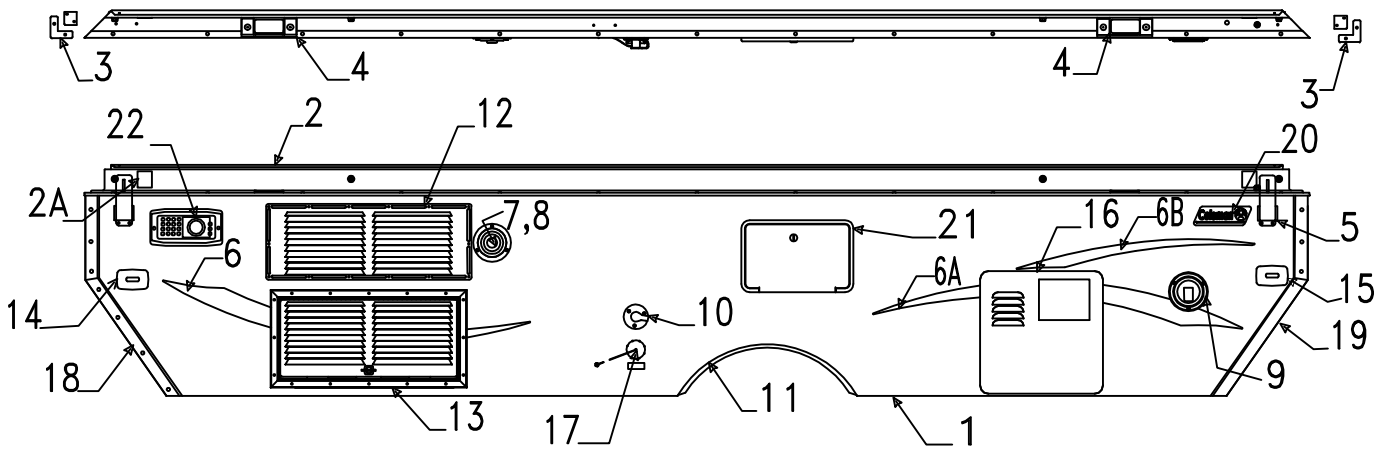


4757A7131 Access Door Assembly "complete" less trim tape

FLAT RATE 1.25 complete door assembly

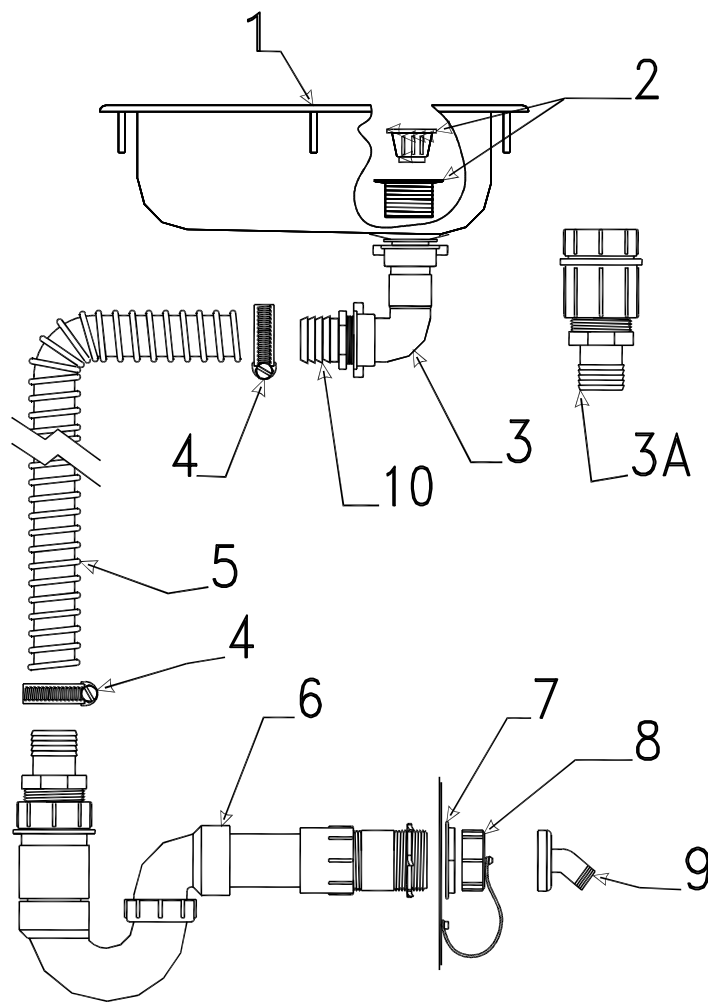
Access Door Component Parts

Flat Rate	Code	Part #	Description	Flat Rate	Code	Part #	Description
1.00	1	4759B0661	door skin		8	1006B2428	bolt x2
	2	4716D3941	curbside decal kit swoosh			1201B5188	nut (to affix bolt to door)
1.00	3	4730C3111	lock handle (with key)			1201B6448	nut (affix door to trailer)
		4716-081	screw x2			1202B0468	washer m10
		1201B6958	keps nut x2	0.10	9	4747A2521	latch angle w/rivets
1.00	4	4741-1438	reinforcement plate		10	4747G4141	crank handle
0.25	5	4731E2331	access door cap	0.20	11	4060025006P	foam tape pkg. (4' pc.)
		1203-8651	rivet m25	1.00	12	4758B4711	step covering "black flextrud"
0.15	6	4744-6981	swing arm pkg. (w/rivet & washer)	1.00	13	4741A6551	lock bar assembly
		1203C8721	rivet m25	0.25	14	4754-6921	lower dr. w/hinges - less lock
		1202B0468	washer m10			1203-8951	rivet m25 (affix door in place)
	7	4733G0601	rivet "black" m25		15	4751D8301	lock assembly w/o-ring



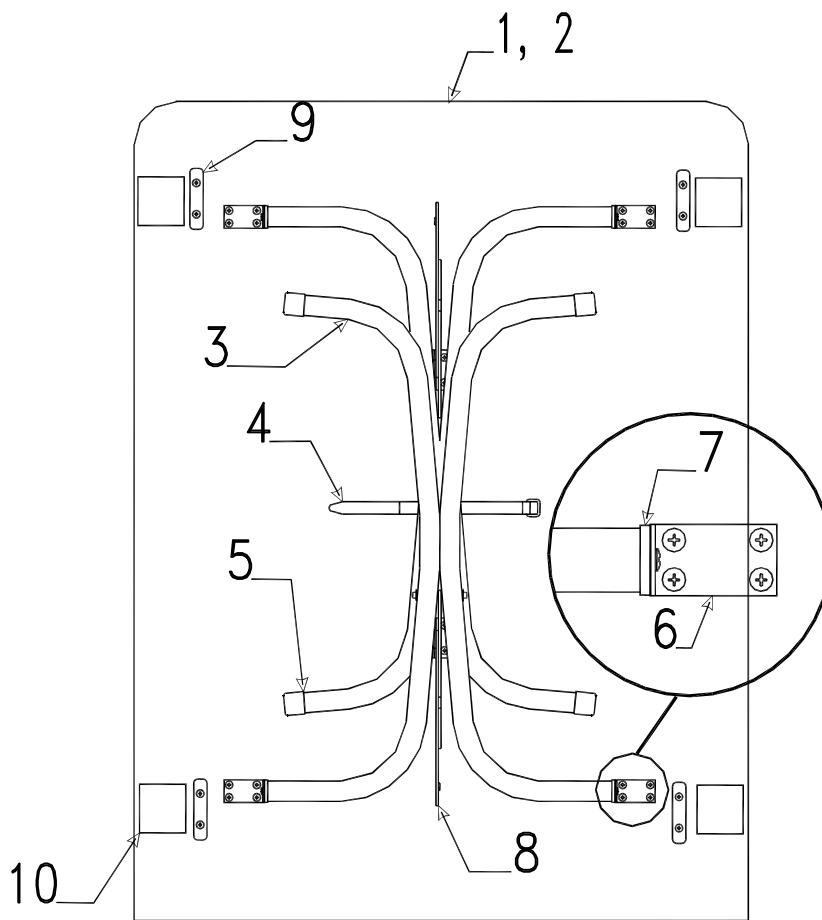
- * Add .50 For Heater Vent
- * Add 1.00 For Refrigerator
- * Add .50 For Hot Water Heater

4716-8281 Roadside Decal Swoosh\Hardware Kit							
Roadside Left Body Panel & Components							
Flat Rate	Code	Part #	Description	Flat Rate	Code	Part #	Description
*1.00	1	4759H2031	left side body pnl. 4356 Yuma	0.500	12	4747D8321	refrigerator vent "upper"
*2.00		4767F1851	left side body pnl. 4388 Sea Pine			4745-3968	painted screw arctic wht. x4 per vent
*2.00		4754R3791	left side body pnl. 4327 Westlake	0.500	13	4747D8331	refrigerator vent hinged "lower"
*2.00		4759J9111	left side body pnl. 4376 Sedona	0.150	14	4714J08481	amber marker light x4
3.000	2	4759F2001	left side body rail 4356,4388	0.100		4716A4571	amber lens (lens only)
3.000		4754J9121	left side body rail 4327 Westlake	0.250		4733H1311	socket & harness
3.000		4747F0581	left side body rail 4376 Sedona			4747-2558	expansion rivet m25
0.100	2A	4716-2771	vel-stick body rail pkg.	0.150	15	4714J08581	red marker light
		4757-0731	wire grommet & nut	0.100		4716A4561	red lens (lens only)
0.150	3	4716-7061	inner/outer miter cover pkg. m4	0.250	16	4716-1331	water heater door
0.250	4	4734F4121	lift trim, rivets & gasket pkg. m4	0.100	17	4714A2861	drain cap & strap
0.150	5	4741C6041	top latch w/lock tab	0.300	18	4767-0121	rsf corner trim 4356, 4388, 4327
		4749-4848	foam pad	0.300		4759A9051	rsf corner trim 4376 Sedona
0.500	6	4769-8531	rsf decal swoosh	0.300	19	4767-0131	rsr corner trim 4356, 4388, 4327
	6A	4769-8551	middle decal swoosh	0.300		4759A9061	rsr corner trim 4376 Sedona
	6B	4769-8541	rsr decal swoosh	0.250	20	4769-9228	coleman decal
0.300	7	4731D1711	water tank spout	0.250	21	4750D5861	o/s shower complete
	8	4741A9101	hex head tek screw x3			4716-7511	key Ch751 m2
0.150	9	4733B23361	cable hatch	0.150		4750A2961	lock assy. w/key
0.300	10	4732F1521	city fill	0.100	22	4741C9471	8" furnace vent
	11	4060050008P	1/2" x 1" foam tape pkg. (12' pc.)				

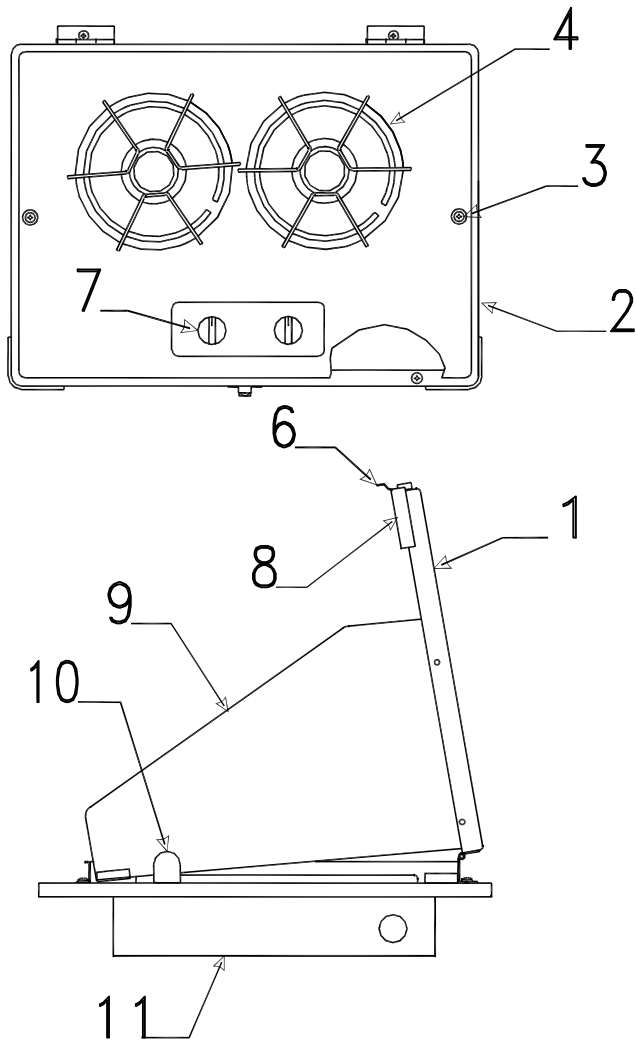


Sink & Component parts

Flat Rate	Code	Part #	Description
0.3	1	4710F0301	sink "stainless"
0.05	2	4714C0661	crumb cup "only"
0.25		4730E3151	crumb cup & basket
0.4	3	4757-0861	elbow pkg.
0.4	3A	4713-0061	straight sink adapter pkg.
		4757-9131	1 1/4" rubber washer
	4	4715-4501	1 1/4" hose clamp
0.8	5	4060012503P	1 1/4" drain hose (10' pc.)
		Note: must cut hose to length	
0.75	6	4769A6941	drain trap assy. 4376, 4356, 4327
0.75		4767C5811	drain trap assy. 4388
	7	4757-9251	1 1/2" metal nut "white"
0.1	8	4714A2861	cap & strap
	9	4737-9138	drain adapter
0.4	10	4757A0871	adaptor 1 1/4" barb



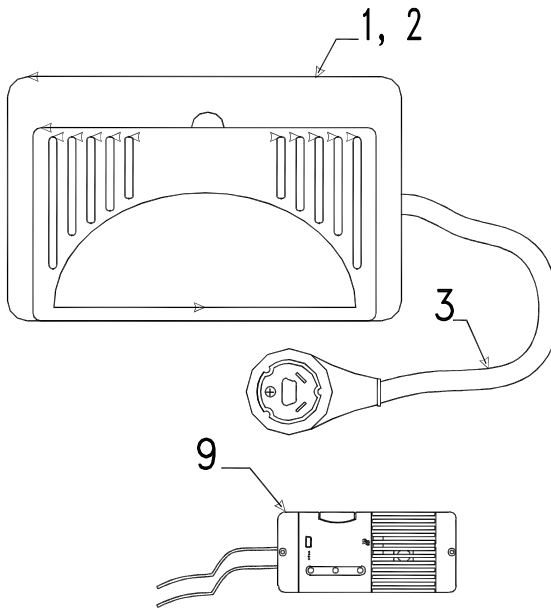
Dinette Table Assembly Components			
Flate Rate	Code	Part #	Description
0.50	1	4702A0731	table top 30" x 39" 4388
0.50		4754F3891	table top 28" x 39" 4327
0.50		4759E3931	table top 41" x 27 1/4" 4356
0.50		4756H8461	table top 37" x 26" 4376 Sedona
0.30	2	4060475014P	t-molding (14' pkg.)
0.50	3	4745K5271	table leg package
		4768-7161	table leg 21 1/4" 4376 Sedona
		4749-9641	gripper clip x2 4376 Sedona
		4701-2531	rivet m25 (affix clip to wheel well)
Note: pkg. includes 2 legs & required mounting hardware			
0.10	4	4751A9711	strap & screw pkg.
0.10	5	4752-0551	white plastic cap m2
0.15	6	4720H1211	table leg mounting brace m2
		1103E1018	5/8" wood screw
0.15	7	4752A0561	table leg insert cap m2
0.25	8	4744-6971	lock brace assy. x2
		1103E1018	5/8" wood screw
0.15	9	4756-8741	table top plastic spacer m4
		1103B08148	7/8" screw (x2 per spacer)
0.05	10	4724D2631	velcro fastener m4



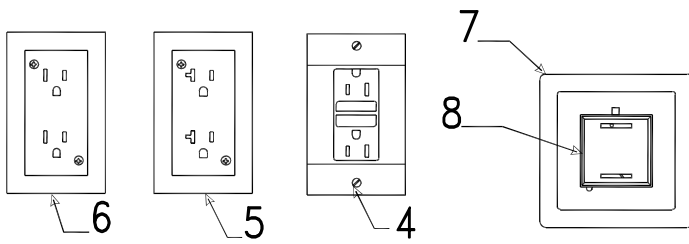
Stove Component Parts (Upper Galley Assy.'s)			
Flat Rate	Code	Part #	Description
0.15	1	4701A1191	stove cover assy.
0.15	2	4701A1201	2 burner cook top
0.05	3	4716A2631	stove top screw/washer m2
0.05	4	4752B9881	stove grate x2
	5		
0.15	6	4733-4018	stove cover latch
0.15		4733-4028	stove cover strike
0.05	7	4716B1861	knob m3
	8	4732A2291	edge molding m2
	9	Note:Item not sold separately must order code #1	
0.15	10	4773-4691	stove fin stay brkt. m2
0.75	11	4748F2581	2 burner stove box

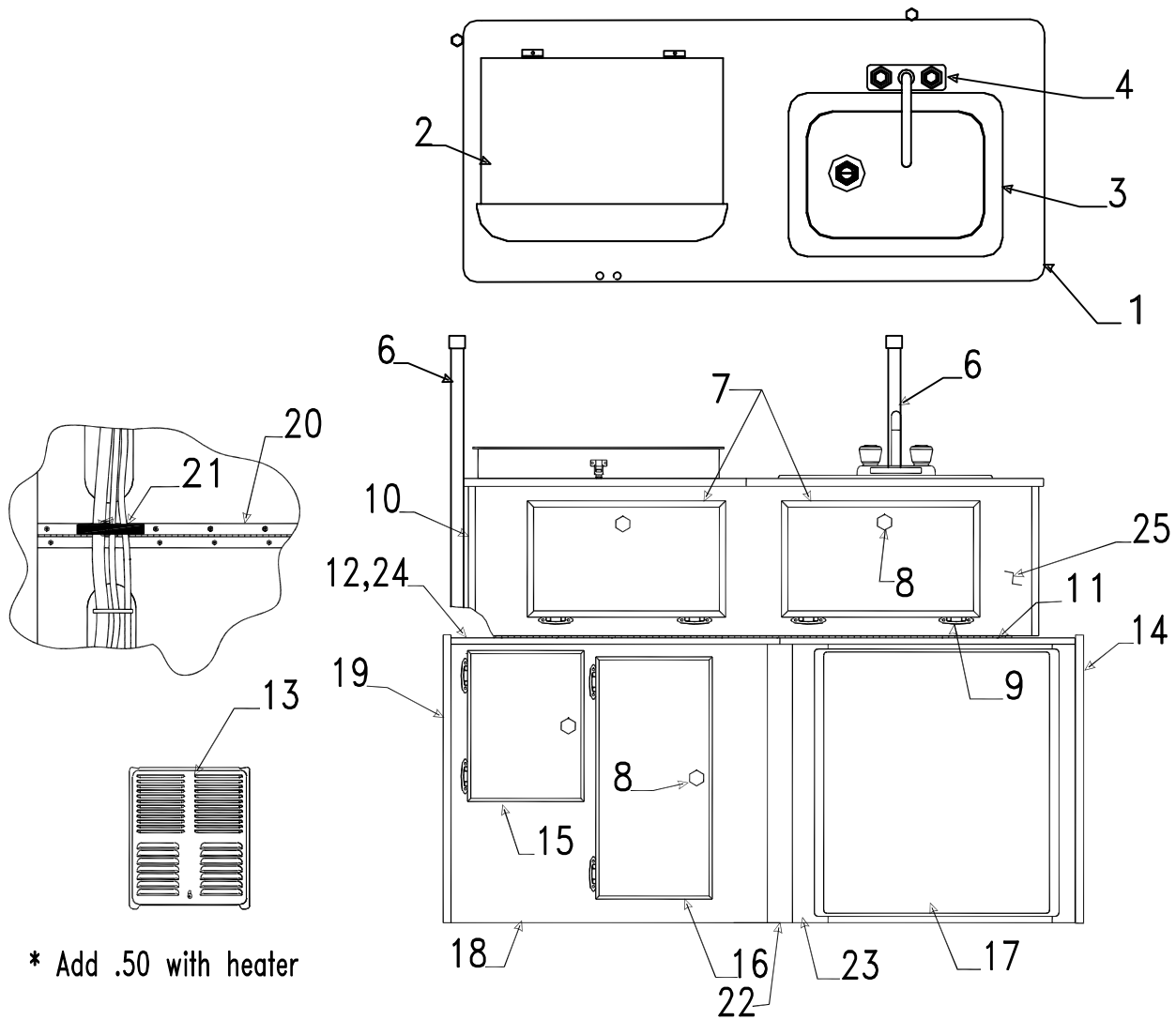
2009 Destiny Series Repair Parts 14

WORLD FRIENDSHIP CO., LTD
 Warranty: 800-900-2468



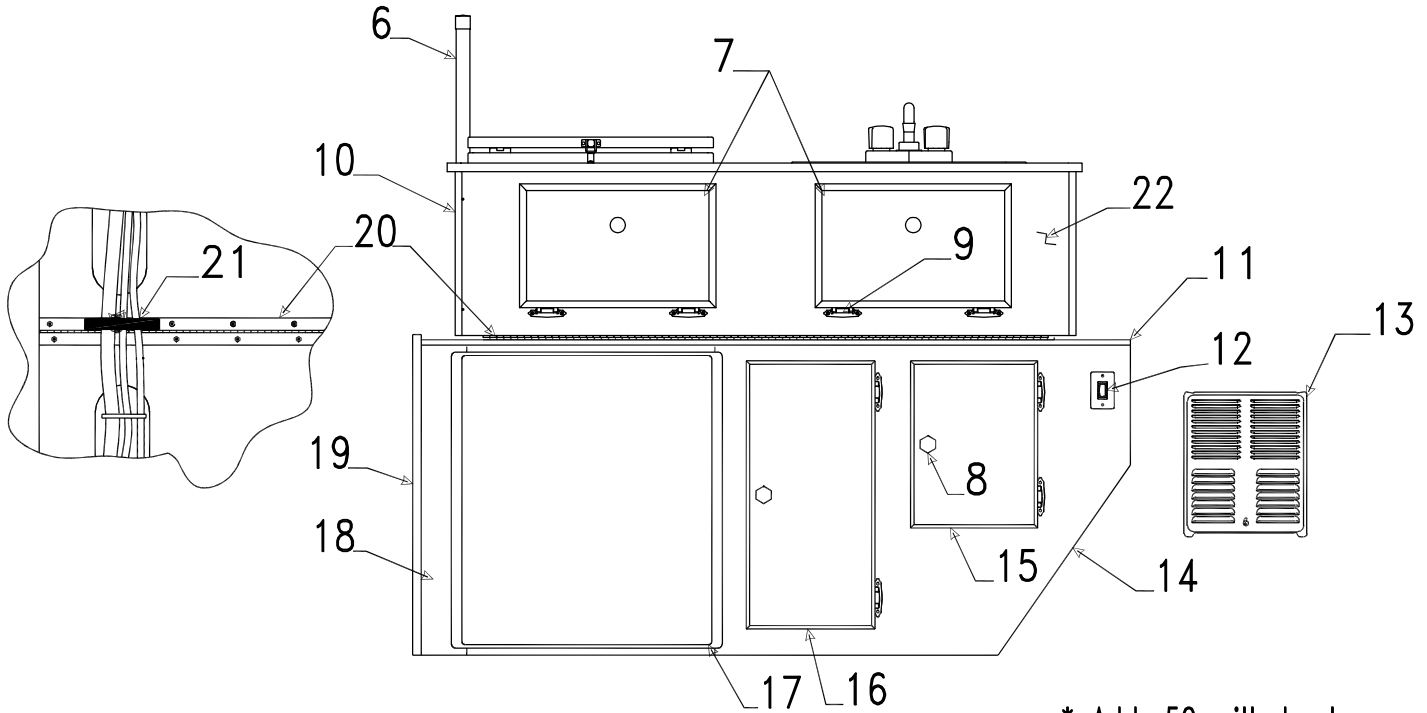
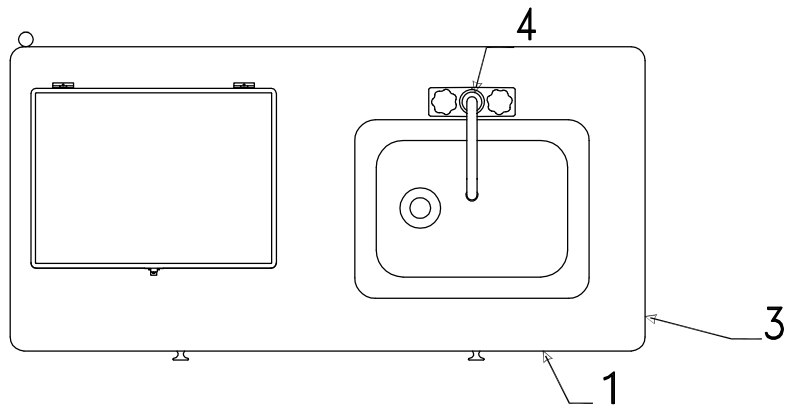
Converter & Related Parts			
Flat Rate	Code	Part #	Description
1.00	1	4753E8201	converter 25 amp WFCO
0.15	2	4716D1301	converter face cover w/door (plastic)
0.60	3	4772-1601	power cord 31 ft.
0.35	4	4701-1061	15 amp GFI receptacle w/cover (black.)
0.20	5	4701-1071	20 amp receptacle w/cover (black)
0.20	6	4701-1081	15 amp receptacle w/cover (black)
		4765-4041	amp reefer receptacle (white)
		4746A3851	receptacle box
	7	4752A8461	thermostat
0.20	8	4756B8811	plastic base & bracket
0.25	9	4753B9171	lp gas detector





Upper & Lower Galley Assy. Components - 4388 Sea Pine

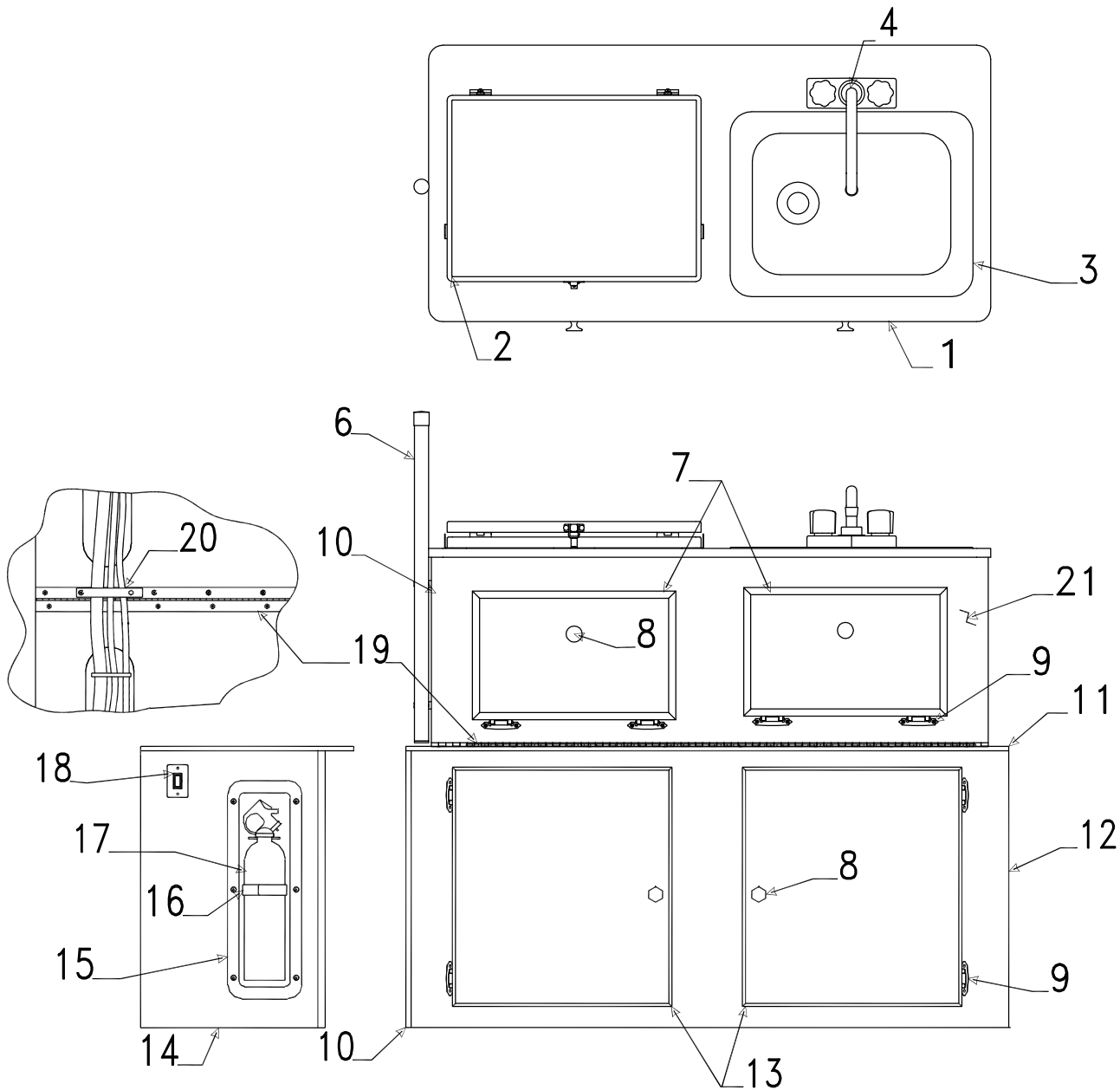
FR	Code	Part #	Description	FR	Code	Part #	Description
1.00	1	4759K3331	sink upper galley top	0.10	13	4743-3551	furnace grill
	2	Note: refer to page 14 for stove components		*1.50	14	4767B1921	galley gazoodi (rt.)
0.30	3	4710F0301	sink	0.15	15	4758B4041	door panel 12" x 9 1/8"
		Note: refer to page 12 for sink components		0.15		4733-6391	latch & strike pkg.
1.00	4	4745E2741	mixer faucet	0.15	16	4767A4771	door panel 8 3/4" X 16 3/4"
	5			0.25	17	6010415696P	reefer wood insert panel
0.25	6	4757C2991	galley rest pole	0.75	18	4759C4301	lower galley frt. (lt.)
		4752-0551	plastic end cap m2	0.75	19	4759C4241	lower galley seat gazoodi
		4759-0841	nylon spacer x4 per pole	0.30		4060400093P	t-molding (12' pkg.)
0.15	7	4768-2781	door panel - 14 1/4" x 9"	0.50	20	4757-2621	hinge
0.15		4733-6391	latch & strike pkg.	0.10	21	4751A9711	hose strap pkg.
0.10	8	4748C3951	door pull (includes screw)	0.25	22	4060400178P	lower galley molding
0.10	9	4762-4878	hinge	0.75	23	6019637596P	wood grain panel (summit ash) 48"x48"
0.65	10	4060137505P	3/8" f-channel 48" pc.	1.25	24	4767B1891	lower galley top (lt)
*1.25	11	4767B1911	lower galley top (rt.)	1.25	25	4759F2741	upper galley front
0.20		4746C0971	kill switch m4			6010415696P	galley bottom, back & sides
0.20	12	4733C4981	rocker switch (elec. pump)				



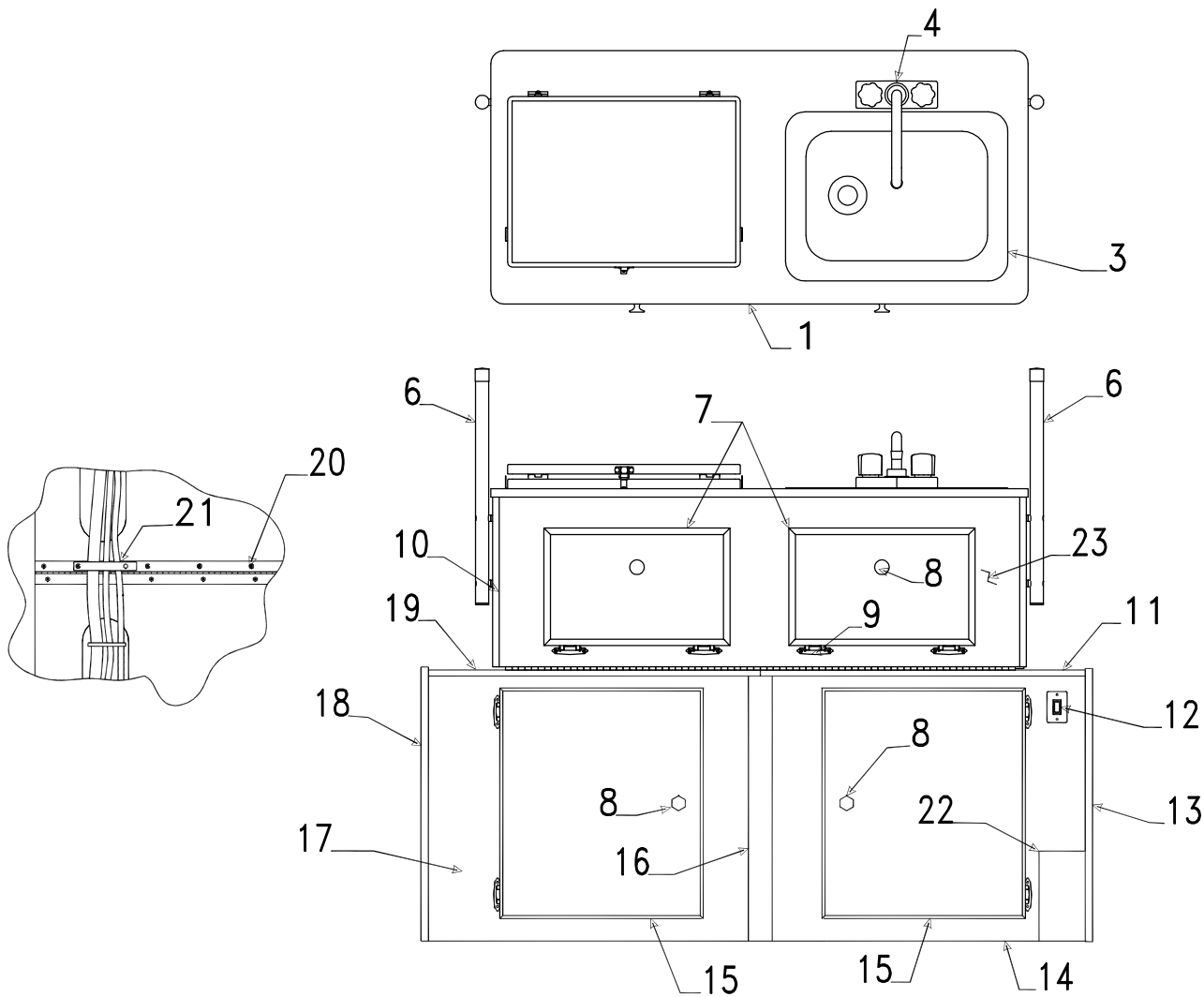
* Add .50 with heater

Upper & Lower Galley Assy. Components - 4356 Yuma

FR	Code	Part #	Description	FR	Code	Part #	Description
1.00	1	4759K3331	sink upper galley top	0.20	12	4733C4981	rocker switch (elec. pump)
	2			0.10	13	4743-3551	furnace grill
		Note: refer to page 14 for stove components		*1.50	14	4759G2641	lower galley frt. (rt.)
0.30	3	4710F0301	sink	0.15	15	4757B4041	door panel 12" x 9 1/8"
		Note: refer to page 12 for sink components		0.15		4733-6391	latch & strike pkg.
1.00	4	4745E2741	mixer faucet	0.15	16	4758B3061	door panel 19 1/4" x 9 1/4"
	5			0.25	17	6010415696P	reefer wood insert panel
0.25	6	4757C2991	galley rest pole	0.75	18	4759F4051	lower galley frt. (lt.)
		4752-0551	plastic end cap m2	0.75	19	4759C4111	lower galley seat gazoodi
		4759-0841	nylon spacer x4 per pole	0.30		4060400093P	t-molding (12' pkg.)
0.15	7	4768-2781	door panel - 9" X 14 1/4"	0.50	20	4757-2621	hinge
0.15		4733-6391	latch & strike pkg.	0.10	21	4751A9711	hose strap pkg.
0.10	8	4748C3951	door pull (includes screw)	1.25	22	4759F2741	upper galley front
0.10	9	4762-4878	hinge			6010415696P	galley bottom, back & sides
0.65	10	4060137505P	3/8" f-channel 48" pc.				
*1.25	11	4759F2611	lower galley top				
0.20		4746C0971	kill switch m4				



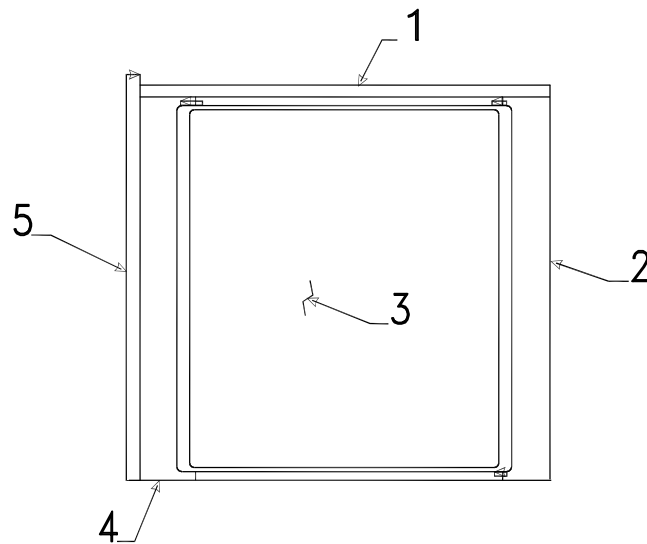
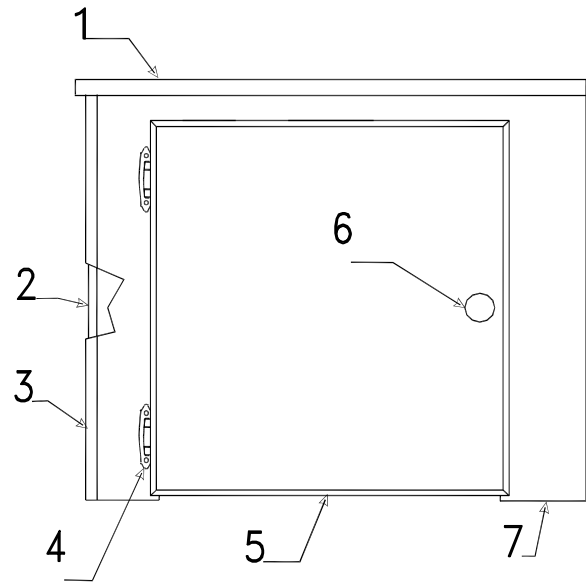
Upper & Lower Galley Assy. Components - 4376 Sedona							
FR	Code	Part #	Description	FR	Code	Part #	Description
1.00	1	4759H9231	galley top	1.25	11	4759F9271	lower galley top
0.30		4060475014P	t-molding (14' c. pkg.)	0.20		4746C0971	kill switch m4
2.00		Note: refer to page 14 for stove components		1.50	12	4759C9291	lower galley front
0.30	3	4710F0301	sink	0.15	13	4759C9221	door pnl. 15 1/4" x 18 1/2"
		Note: refer to page 12 for sink components		0.15		4733-6391	latch & strike pkg.
1.00	4	4745E2741	mixer faucet	0.55	14	4759D9281	lower galley side
0.15	5			0.15	15	4701-1321	recessed mount
0.25	6	4757C2991	galley rest pole			4738-3088	screw x6
		4752-0551	plastic cap m2	0.05	16	4716-1191	fire extinguisher strap m2
		4759-0841	nylon spacer x4 per pole	0.10	17	4737A5558	fire extinguisher
0.15	7	4768-2781	door panel - 14 1/4" X 9"	0.20	18	4733C4981	rocker switch
0.15		4733-6391	latch & strike pkg.	0.50	19	4747A9671	hinge
0.10	8	4748C3951	door pull (includes screw)		20	4751A9711	hose strap pkg.
0.10	9	4762-4878	hinge	2.00	21	4752K1311	upper galley front
0.65	10	4060137505P	3/8" f-channel 48" pc.			6010415696P	galley bottom, back & sides



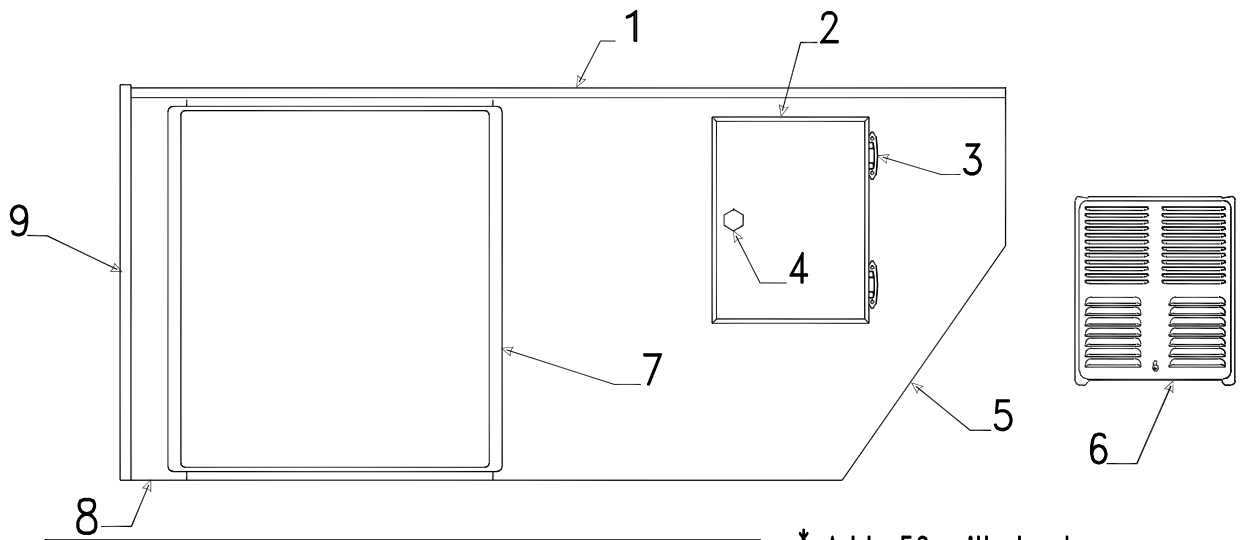
Upper & Lower Galley Assy. Components - 4327 Westlake

FR	Code	Part #	Description	FR	Code	Part #	Description
1.00	1	4767G9931	sink upper galley top	0.20	12	4733C4981	rocker switch (elec. Pump)
	2	Note: refer to page 14 for stove components		0.75	13	4767-9991	lower galley gazoodi (rt.)
0.30	3	4710F0301	sink	0.30		4060400093P	t-molding (12' pkg.)
		Note: refer to page 12 for sink components		0.75	14	4768A0511	lower galley frt. (rt.)
1.00	4	4745E2741	mixer faucet	0.15	15	4759C9221	door panel 18 1/2" x 15 1/4"
	5			0.15		4733-6391	latch & strike pkg.
0.25	6	4767-99761	galley rest pole		16	4060400178P	lower galley trim
		4752-0551	plastic end cap m2	0.75	17	4768-0151	lower galley frt. (lt.)
		4759-0841	nylon spacer x4 per pole	0.75	18	4754B3881	lower galley gazoodi (lt.)
0.15	7	4768-2781	door panel - 14 1/4" x 9"	0.30		4060400093P	t-molding (12' pkg.)
0.15		4733-6391	latch & strike pkg.	1.25	19	4756H0541	lower galley top (lt)
0.10	8	4748C3951	door pull (includes screw)			4747-8941	black plastic cap m2
0.10	9	4762-4878	hinge	0.50	20	4747A9671	hinge
0.65	10	4060137505P	3/8" f-channel 48" pc.			4751A9711	hose strap pkg.
1.25	11	4756H0541	lower galley top (rt.)			4768-0161	hose cover
0.20		4746C0971	kill switch m4	2.00	23	4701F8171	upper galley front
						6010415696P	galley bottom, back & sides

Curbside Corner Cabinet - 4356, 4376			
FR	Code	Part #	Description
0.25	1	4759F2531	cabinet top 4356
0.25		4759B9731	cabinet top 4376
0.3		4060462511P	t-molding 10' pkg.
0.3	2	4759G2541	cabinet side 4356
0.3		4759D9251	cabinet side 4376
0.65	3	4060137505P	3/8" f-channel 48" pc.
0.1	4	4762-4878	hinge
0.15	5	4759C9221	dr. pnl. 15 1/4" x 18 1/2" 4356
0.15		4758B4041	dr. pnl. 9 1/8" x 12" 4376
0.15		4733-6391	latch & strike pkg.
0.1	6	4748C3951	door pull (includes screw)
0.5	7	4759C9261	cabinet front 4356
0.5		4759D9261	cabinet front 4376

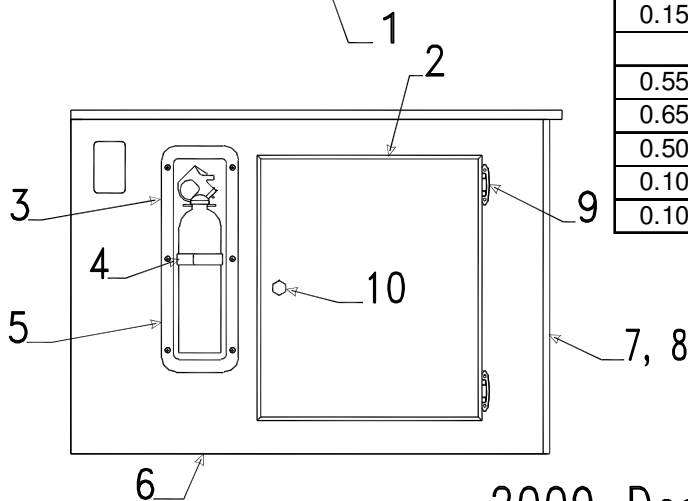


RS Frt. Reefer Cabinet Components - 4376 Sedona			
FR	Code	Part #	Description
1.00	1	4769-0071	hutch top
0.30		4060462511P	t-molding pkg. (14' pc.)
	2	6019637596P	wood grain wall panel (summit ash) 48"x48"
	3	6010415696P	reefer insert panel (wood)
	4	6019637596P	wood grain wall panel (summit ash) 48"x48"
0.75	5	4769A0081	seat gazoodi
0.30		4060400093P	lipped t-molding 5/8"

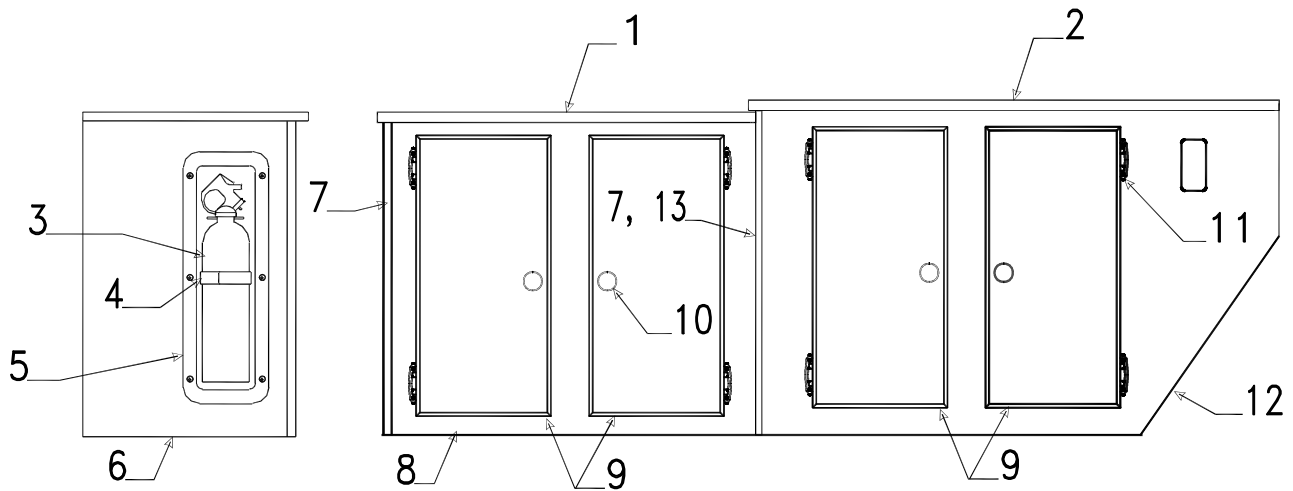


RS Frt. Hutch Assy. Components - 4327 Westlake			
Flat Rate	Code	Part #	Description
1.00	1	4753H2741	hutch top
0.30		4060475014P	t-molding pkg. (14' pc.)
		4747-8941	plastic cap m2
0.15	2	4758B4041	door panel - 12" x 9 1/8"
0.15		4733-6391	latch & strike pkg.
0.10	3	4762-4878	hinge
0.10	4	4748C3951	door pull (includes screw)
1.50	5	*4757A1381	hutch frt. (rt.)
0.10	6	4743-3551	furnace grill
0.25	7	6010415696P	reefer wood insert panel
0.75	8	6019637596P	hutch frt.(lt) 2 3/16 X 22 1/4
0.75	9	4767-9991	hutch gazoodi
0.30		4060400093P	t-molding 5/8" lipped (12' pc.)

* Add .50 with heater

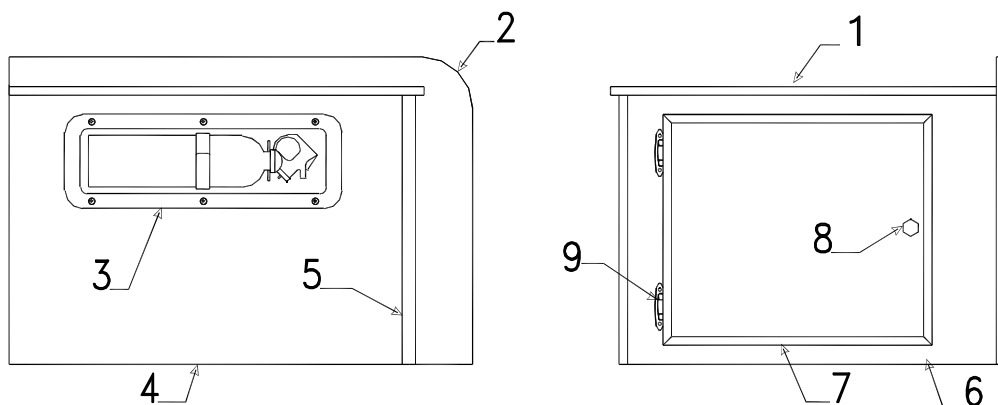


CS Doorway Cabinet Assy. 4327 Westlake			
Flat Rate	Code	Part #	Description
0.75	1	4754D3981	cabinet top
0.30		4060475014P	t-molding pkg. (14' pc.)
0.15	2	4759C9221	door pnl. 18 1/2" x 15 1/4"
0.10	3	4737A5558	fire extinguisher
0.05	4	4716-1191	fire extinguisher strap m2
0.15	5	4701-1321	recessed mount
		4738-3088	screw x6
0.55	6	4754E3971	cabinet side
0.65	7	4060137505P	3/8" f-channel 48" pc.
0.50	8	6010415696P	universal paneling
0.10	9	4762-4878	hinge
0.10	10	4748C3951	door pull (includes screw)



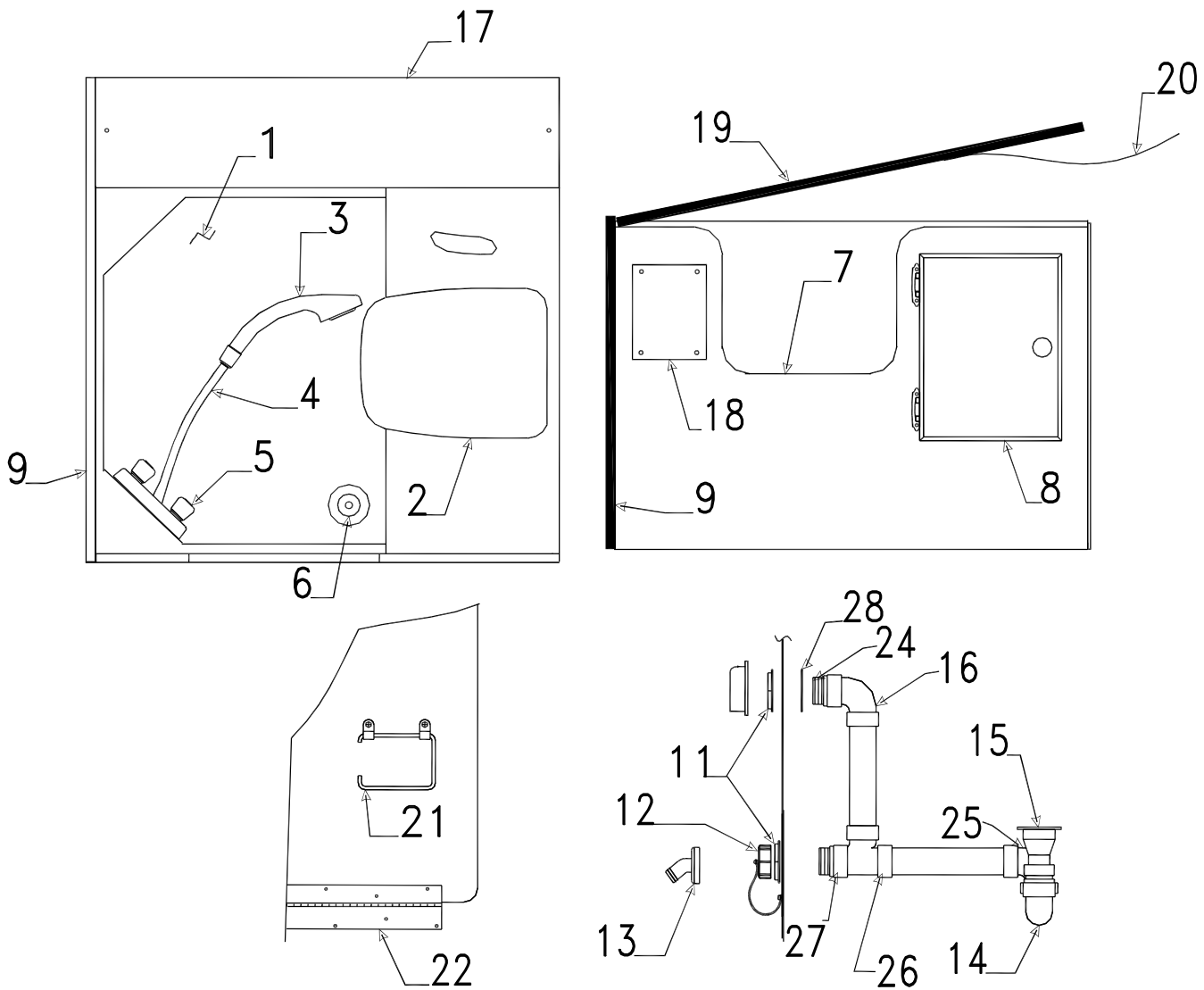
Curbside Hutch Assy. 4356 Yuma

Flat Rate	Code	Part #	Description	Flat Rate	Code	Part #	Description
0.75	1	4767D8991	hutch top lt. (small)	0.65	7	4060137505P	3/8" f-channel 48" pc.
0.30		4060475014P	t-molding pkg. (14' pc.)	0.50	8	4759F3961	hutch front "lt."
0.75	2	4759F3941	hutch top rt. (Large)	0.15	9	4767A4771	door panel 16 3/4" x 8 3/4"
0.10	3	4737A5558	fire extinguisher	0.10	10	4748C3951	door pull w/screw
0.05	4	4716-1191	fire extinguisher strap m2	0.10	11	4762-4878	hinge
0.15	5	4701-1321	recessed mount	1.00	12	4767A4681	hutch front "rt."
		4738-3088	screw x6	0.50	13	6019637596P	wood grain wall panel (summit ash) 48"x48"
0.55	6	4759B3951	hutch side				



Curbside rear cabinet assy. 4388 Sea Pine

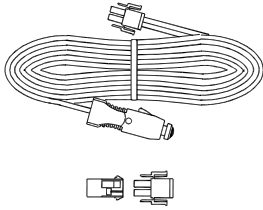
Flat Rate	Code	Part #	Description	Flat Rate	Code	Part #	Description
0.75	1	4759F4221	cabinet top	0.65	5	4060137505P	3/8" f-channel 48" pc.
0.30		4060475014P	t-molding pkg. (14' pc.)	0.50	6	4759C4211	cabinet front
0.35	2	4759F4251	gazoodi	0.15	7	4759C3421	dr. pnl. 15 3/4" x 13 1/2"
0.30		4060400093P	t-molding pkg. (14' pc.)	0.10	8	4748C3951	door pull (includes screws)
	3	Note: see above for fire extinguisher...		0.10	9	4762-4878	hinge
0.55	4	4759B4231	cabinet side				



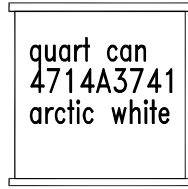
Shower Stall Components - 4327 Westlake

FR	Code	Part #	Description	FR	Code	Part #	Description
1.50	1	4759B1001	shower pan	0.40	14	4752-3621	p-trap w/union joint
0.75	2	4746D2461	cassette potty		15	4757-8561	drain plug adapter
0.15	3	4767-0101	shower head w/bracket	1.00	16	4758-9611	vent system
				0.15	17	4768C0121	tub storage cover w/hole
0.20	4	4741B2051	shower hose (72" length)	0.25	18	4757C2171	access cover
0.50	5	4741B2071	shower diverter	0.40	19	4767-7141	shower cover board
0.10		4716-0848	shower hose connector	0.15	20	4754-7401	hold-up strap
0.50	6	4746A1821	basket & strainer	0.15	21	4756-9121	TP holder
1.50	7	4768C0051	shower threshold			4747-2531	nylon clamp m2
0.30		4060300083P	t-molding (12' pc.)	0.25	22	4756-4441	hinge
0.15	8	4758B3061	door pnl. 12" x 14 3/4"		23	4741D6361	tub package (Not Shown)
0.75	9	4768A0031	shower wall		24	4767-1361	adapter 1 1/2 x 1 1/2 mpt
0.30		4060400093P	t-molding pkg. (12' pc.)		25	4765-3591	90 deg elbow
0.20	10	4757-9261	vent cover "plastic"		26	4757X9301	tee w/baffle
0.50	11	4757-9251	metal nut "white"		27	4765-3621	1 1/2" adapter
0.10	12	4714A2861	cap & strap		28	4757-9281	1 7/8 screen
	13	4737-9138	drain adapter				

4733D6701 auto extension



4716A4701 12 volt cap & plug m2

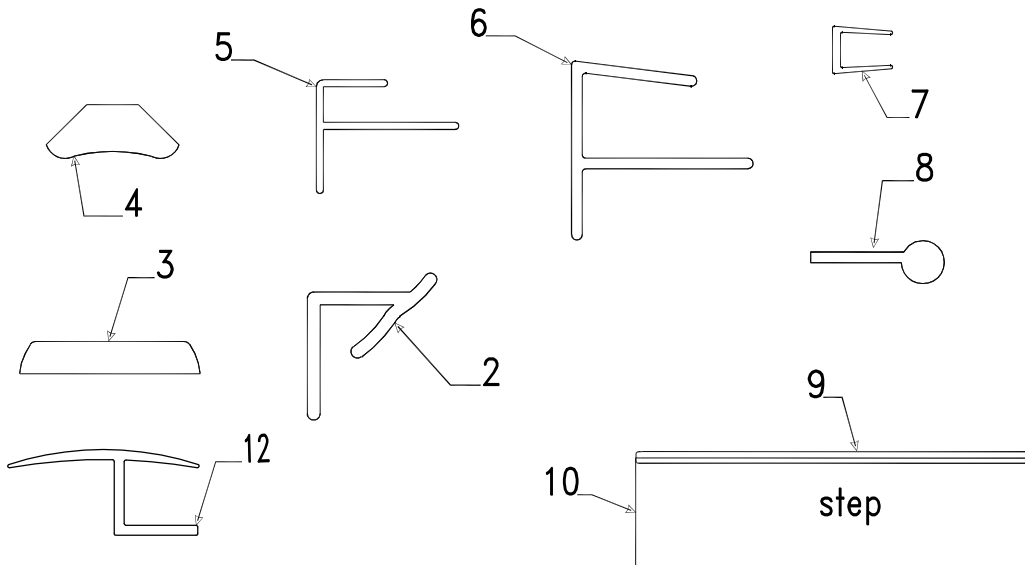


16 oz. spray
0008-2561
0008-2641
0008-2571
0008-2701



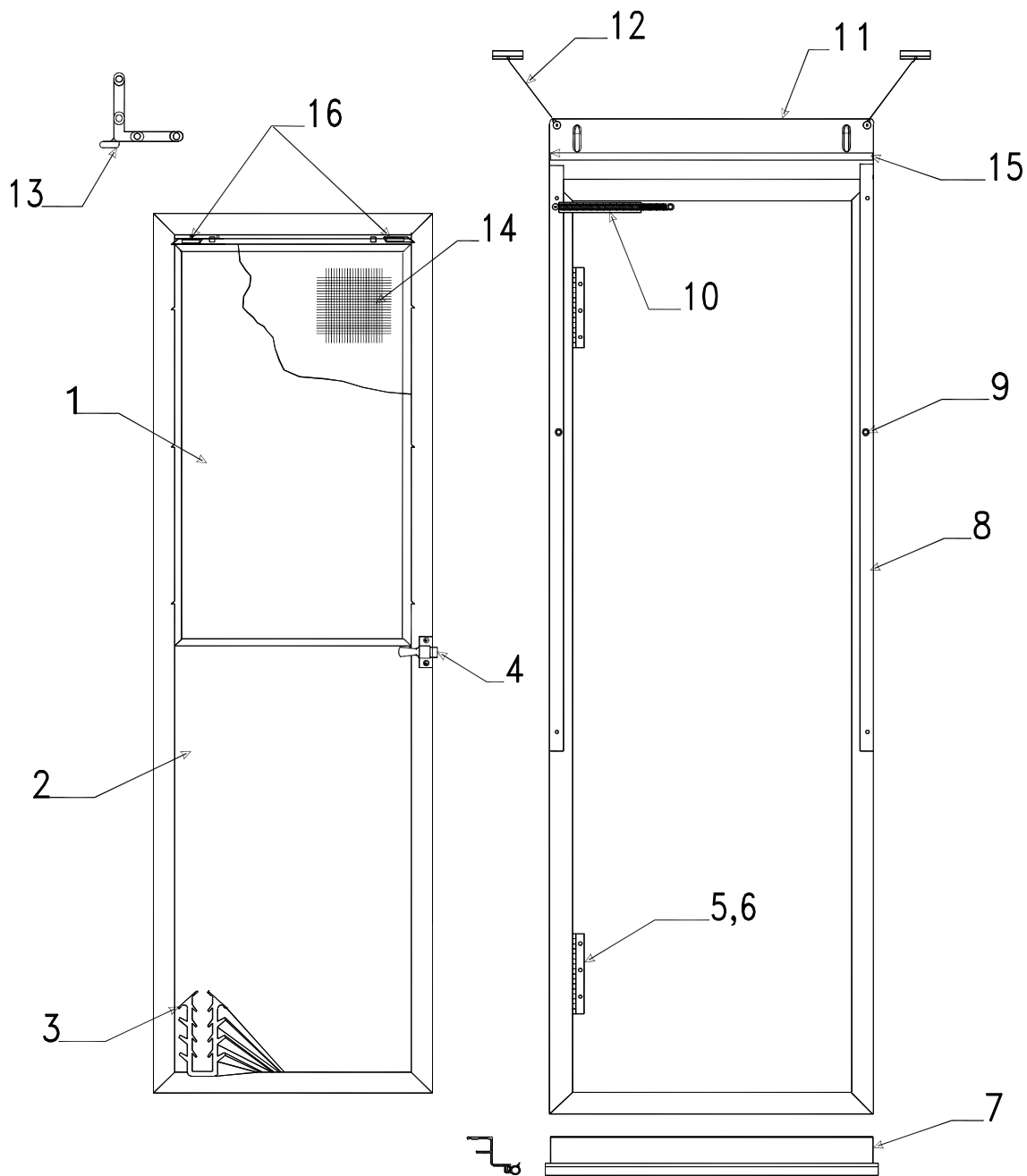
4768-3048
caulking
arctic white

arctic white
black "textured"
black
summit ash (brown)



* Prior Authorization Needed

Paneling/Trim & Step Carpet (Must Cut To Size)			
Flat Rate	Code	Part #	Description
*	1	6010415696P	woodgrain wall panel (summit ash) 48" x 48"
*	2	4060400379P	plastic corner divider (summit ash) 48" pc.
*	3	4066500069P	wood batten strip (summit ash) 48" pc.
*	4	4060475011P	wood inside corner (summit ash) 48" pc.
*	5	4060115605P	5/32" F-channel woodgrain 48" (summit ash)
*	6	4060137505P	3/8" F-channel woodgrain 48" (summit ash)
	7	4060015604P	5/32" U-channel 48" (summit ash)
	8	4060000031P	sponge gimp 3/16" (21' pc. pkg.) brown
		4350500005P	1" wood grain tape (summit ash) 150' roll
	9	4769-1161	carpet "brown" 39" x 11 3/4" - Yuma, Westlake
	10	4769-1011	step front panel - Yuma, Westlake
	11	6019637596P	woodgrain pnl 3/8" mdf 2 side (summit ash) 48"x48"
	12	4060400179P	plastic pnl divider (summit ash) 48" pc.

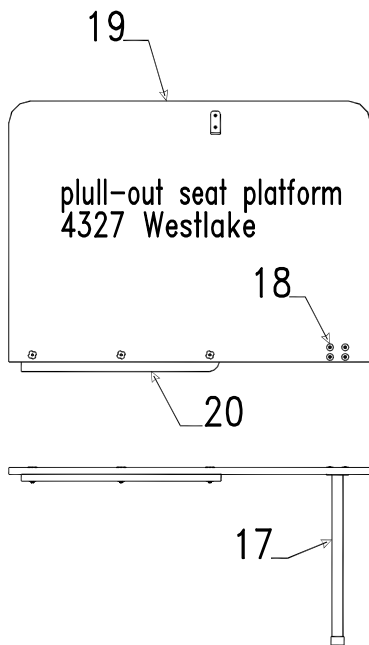
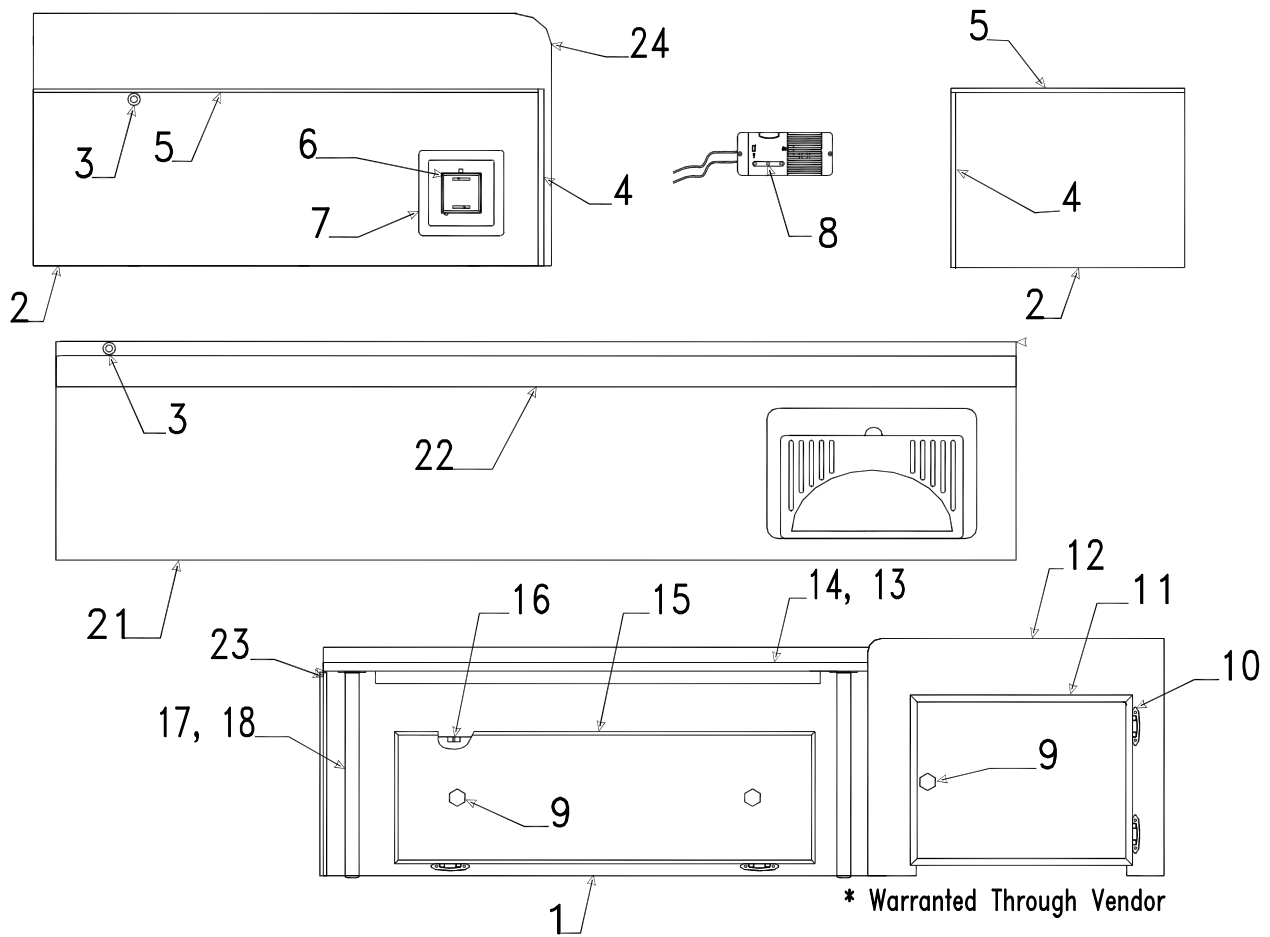


4769B5011 Screen Door Complete less latch

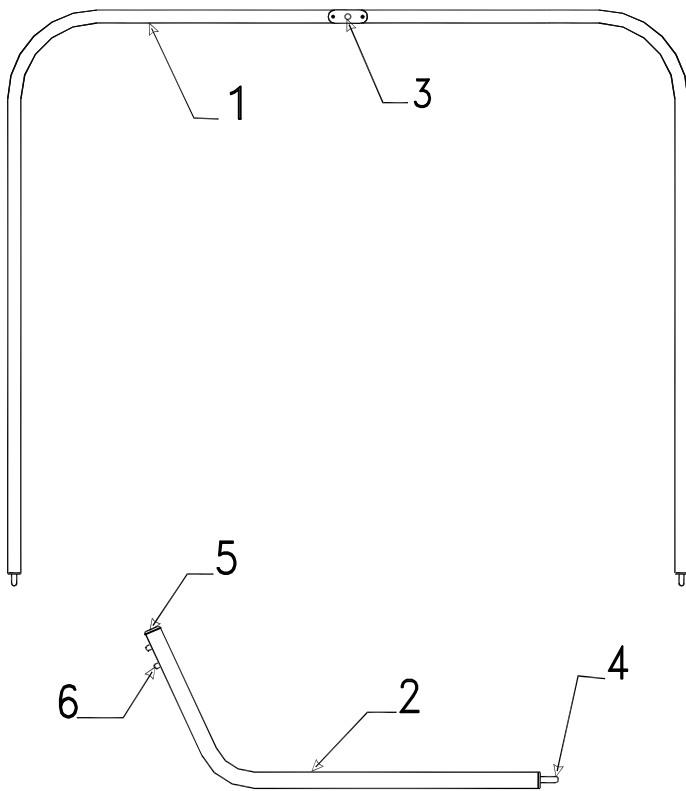
.30 Flat Rate Screen Door Complete

Note: parts marked w/* asterisk are not included w/screen door

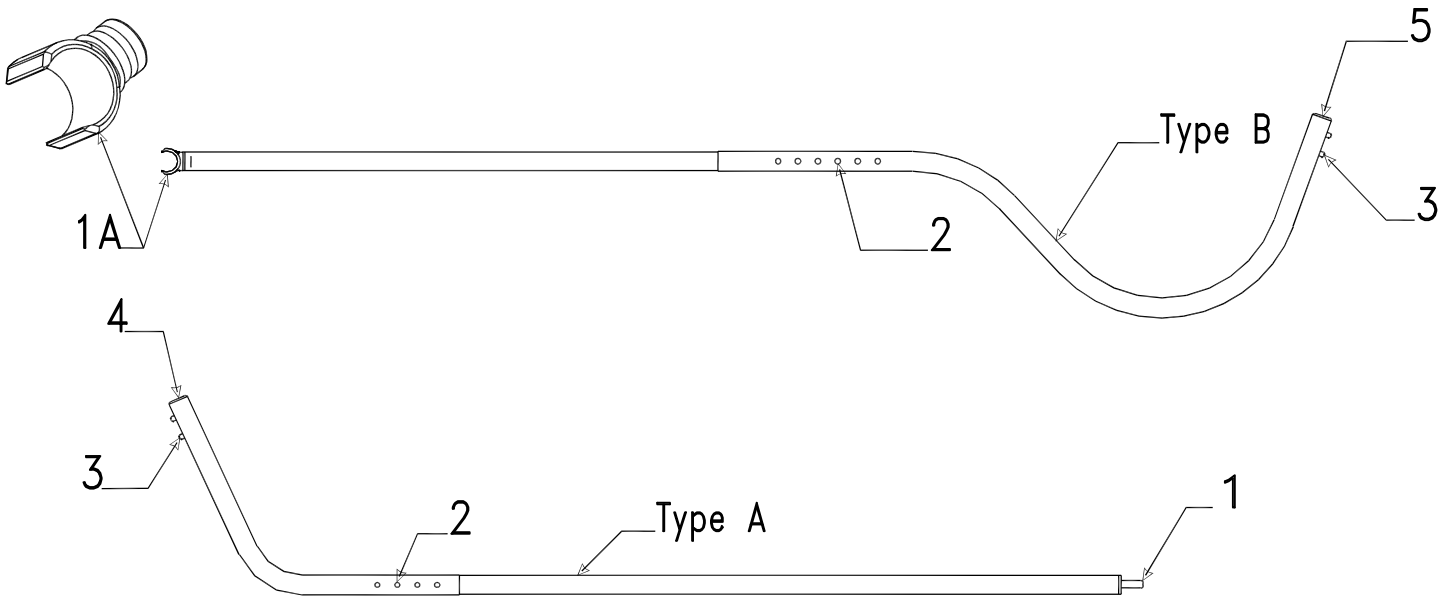
Screen Door Components							
Flat Rate	Code	Part #	Description	Flat Rate	Code	Part #	Description
0.10	1	4716E3401	top sliding window pane	0.05	9	4730A3548	stud w/screw x2
0.40	2	4754D1541	stationary pane	0.20	10	4731A8201	spring package
0.15	3	4060000086F	rubber seal (sold/foot)	0.30	11	4758C0571	top bracket
		Note: around perimeter of window pane		0.15	12	4734D5211	cable assy. m6
0.15	4	*4742-9671	door latch assembly	0.50	13	4710-3791	corner brace hinge m2
0.15	5	4720C3601	hinge x2		14	4716-1381	screened stationary pane
	6	1203-8641	rivet m25	0.75		4716-1111	screening 36" x 18 1/2"
0.25	7	*4747B5621	screen door support	0.20	15	4060000023P	d-seal
		*4060000399F	rubber seal (sold/foot)	0.50	16	4716-3811	window lock pkg. rt./lt.
0.20	8	4754A3811	vel-stick (pkg. of 2)				



Seat Bench Component Parts				
Flat Rate	Code	Part #	Description	
1.00	1	4767B1941	bench front 4388 Sea Pine	
0.50	2	6010415696P	wood grain wall panel (summit ash) 48" x 48"	
0.05	3	4724-2608	stop button	
		1103B10121	#10 - 3/4" screw	
0.35	4	4060115605P	5/32" f-channel 48" pc.	
0.50	5	4060015604P	5/32" u-channel 48" pc.	
*	6	4752A8461	thermostat	
0.20	7	4756B8811	plastic base & bracket	
0.25	8	4753B9171	lp gas detector	
0.10	9	4748C3951	door pull w/screw	
0.10	10	4762-4878	hinge	
0.15	11	4759C3421	door pnl. 15 3/4" x 13 1/2" - 4388, 4376	
0.30	12	4767A2041	seat end curbside bench - 4388 Sea Pine	
0.40	13	4767B1951	bench wood w/slots - 4388 Sea Pine	
		14	pull-out seat platform - 4388 Sea Pine	
0.15	15	4767B2401	door pnl. 30 1/4" x 9 1/4"	
0.15	16	4766-0371	roller latch	
0.25	17	4767B1931	platform leg 4388, 4327	
0.10		4752-0551	plastic end cap m2	
		18	rivet m25 (affix leg to platform)	
		19	pull-out seat platform 4327 Westlake	
0.50	20	4755A4251	table rest 4327 Westlake	
		21	wood grain wall pnl (summit ash) 48"x48"	
0.50	22	4754B2391	table rest 4327 Westlake	
0.15	23	4060400379P	corner trim 48" pc.	
0.75	24	4759C4111	seat gazoodi 4356 Yuma	
0.75		4769A0081	seat gazoodi 4376 Sedona	

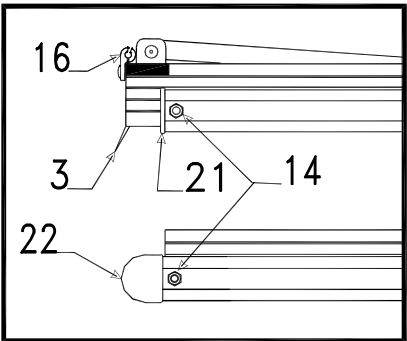
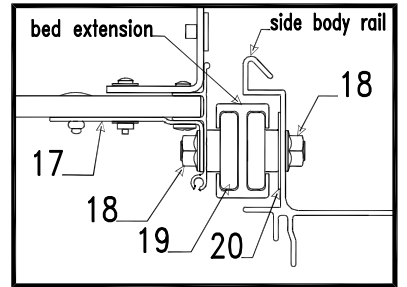
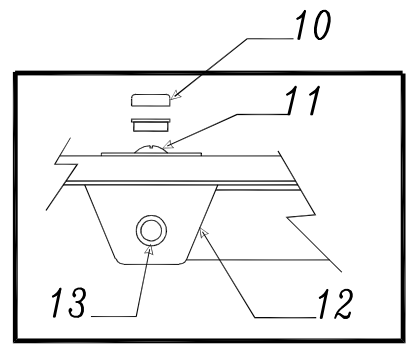
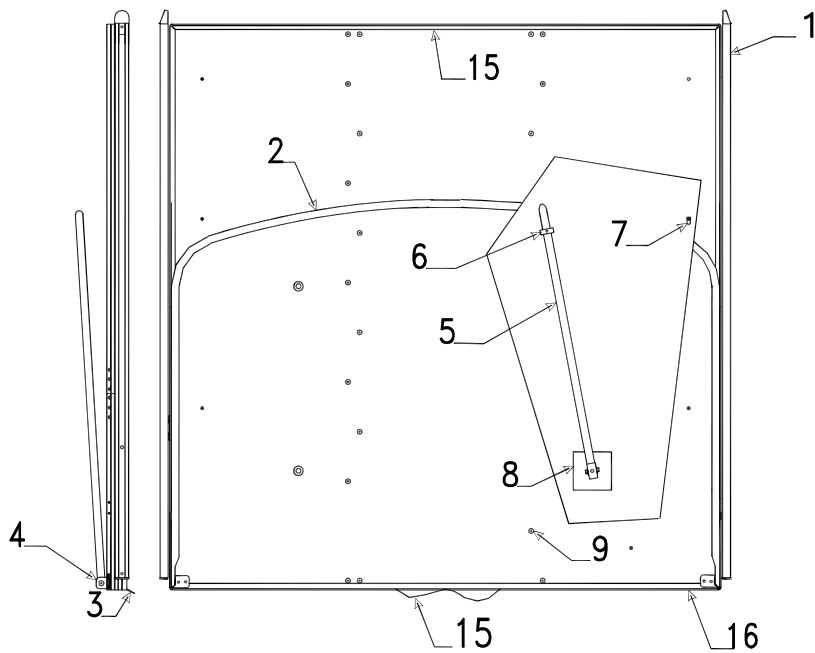


Tip-Out/Glide-Out Tent Bow - 4327 Westlake			
Flat Rate	Code	Part #	Description
0.10	1	4759A5761	tip-out tent bow assy.
0.05	2	4759B5751	tip-out tent support
0.10	3	4754B2751	bow reinforcement plate
0.20	4	8470-1728	black pin m10
0.10	5	4755-0741	tent support tip
0.10	6	4734A6708	spring assy



Tent Support Components			
Flat Rate	Code	Part #	Description
0.20	1	8470-1728	pole pin "black" m10
0.20	1A	4757-4301	tent support clasp m10
0.10	2	4734-6708	spring assy.
0.10	3	4734A6708	spring assy.
0.10	4	4752A0561	tube closure "black" m2

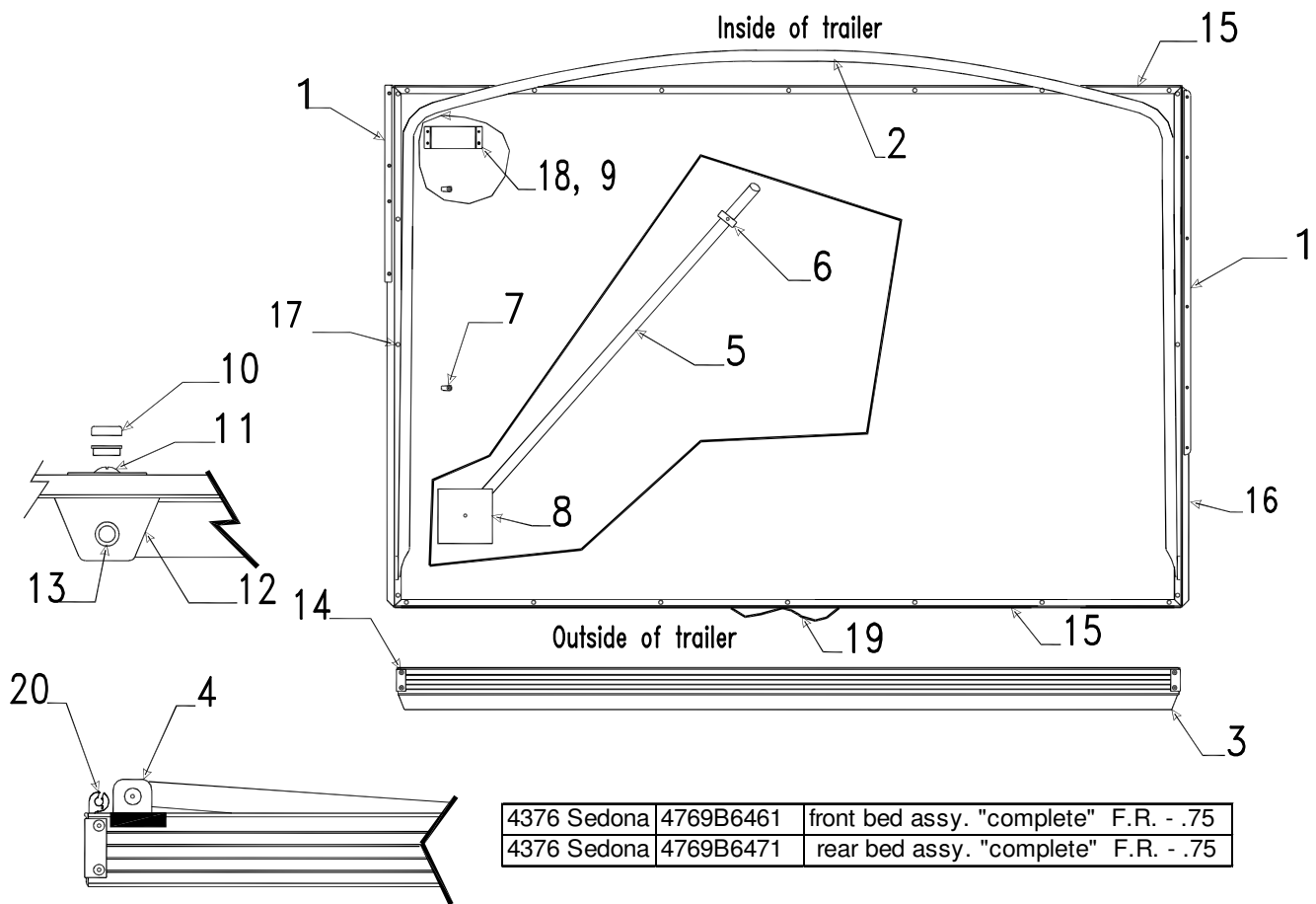
Tent Support Assemblies (Complete)				
Flat Rate .10 per Tent Support				
Model	Type	Front Bed	Type	Rear Bed
4376 Sedona	A	4701B6601	A	4701-6591
4356, 4388	B	4759A6891	B	4772B6021
4327 Westlake	B	4772B6021	B	4772B6021



4356 ,4388	4757A7121	Front Bed Assy. "Complete" (Queen) F.R. - .75
4356, 4388	4754-7641	Rear Bed Assy. "Complete" (Double) F.R. .75
4327 Westlake	4755E5161	Front Bed Assy. "Complete" (King) F.R. - .75
4327 Westlake	4754H5691	Rear Bed Assy. "Complete" (King) F.R. .75

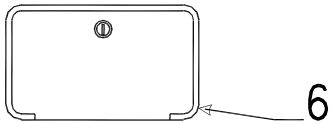
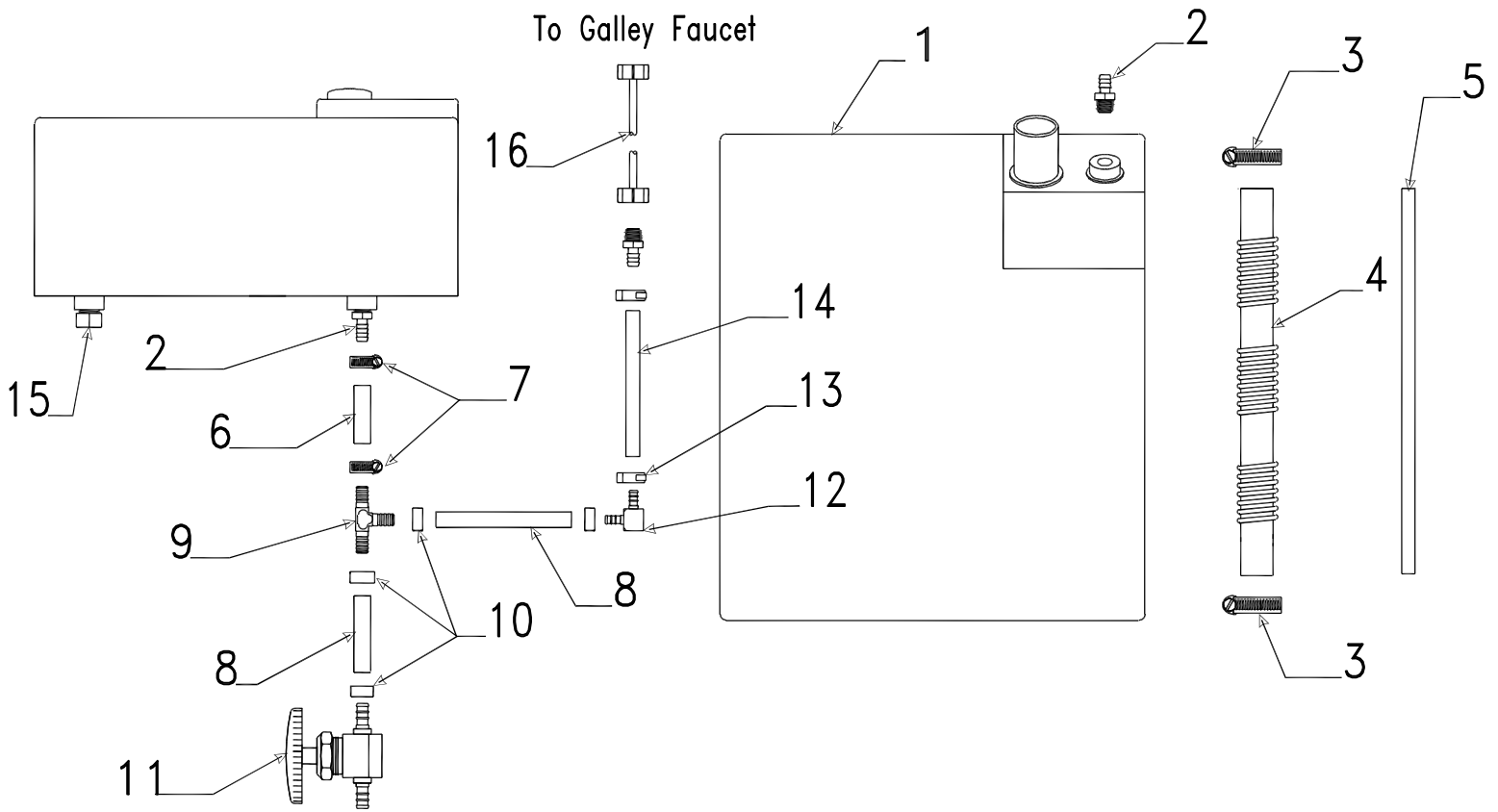
Front/Rear Bed Assy. Components			
Flat Rate	Code	Part #	Description
**	1	4716U4031	bed extension (x2 per bed)
		Note: must cut to size were applicable.	
0.25	2	4714C1901	tent bow/leg package
0.25	3	4060300339P	vinyl bed seal pkg. (8' pc.)
0.15	4	4720K5631	bed bow bracket M2
0.05		4757-9241	1 1/2" nylon fender washer m4
0.20	5	4753-3811	bed leg assy. (x2 rear beds 4327)
0.20		4767-20561	bed leg assy. m2 (x2 front& rear beds 4356,4388)
0.15	6	4720C0771	bed leg clip m4
		1203-8831	rivet m25 (rivet clip to bed)
0.15	7	4720E4021	lashing hook m6
		1203-8741	rivet m25 (rivet hook to bed)
0.20	8	4737A4178	support plate
	9	1203C8721	rivet m25
	10	4739B2908	screw cap m10
		4739-2918	screw cap washer m10
	11	4716-074	screw
		1202B2528	washer
0.20	12	4734A5141	bed leg bracket
	13	4720A2361	rod & pal nut
0.20	14	1034B16128	flat head screw
		1201B6378	lock nut
0.20	15	4758-9481	pull-out handle strap & rivets
		4758-8001	rivet "black" m25
	16	4758A8301	tent retainer track & rivets
0.20	17	4755A2591	bed brkt. w/mounting hardware x4
	18	4739-2298	lock nut
0.50	19	4754-8101	bed roller, nut, bolt, & washer pkg.
	20	1202B2908	washer
0.15	21	4754-8631	bed slide end cap
0.15	22	4754-4821	bed slide wedge

** .50 first extension
 ** .25 second extension

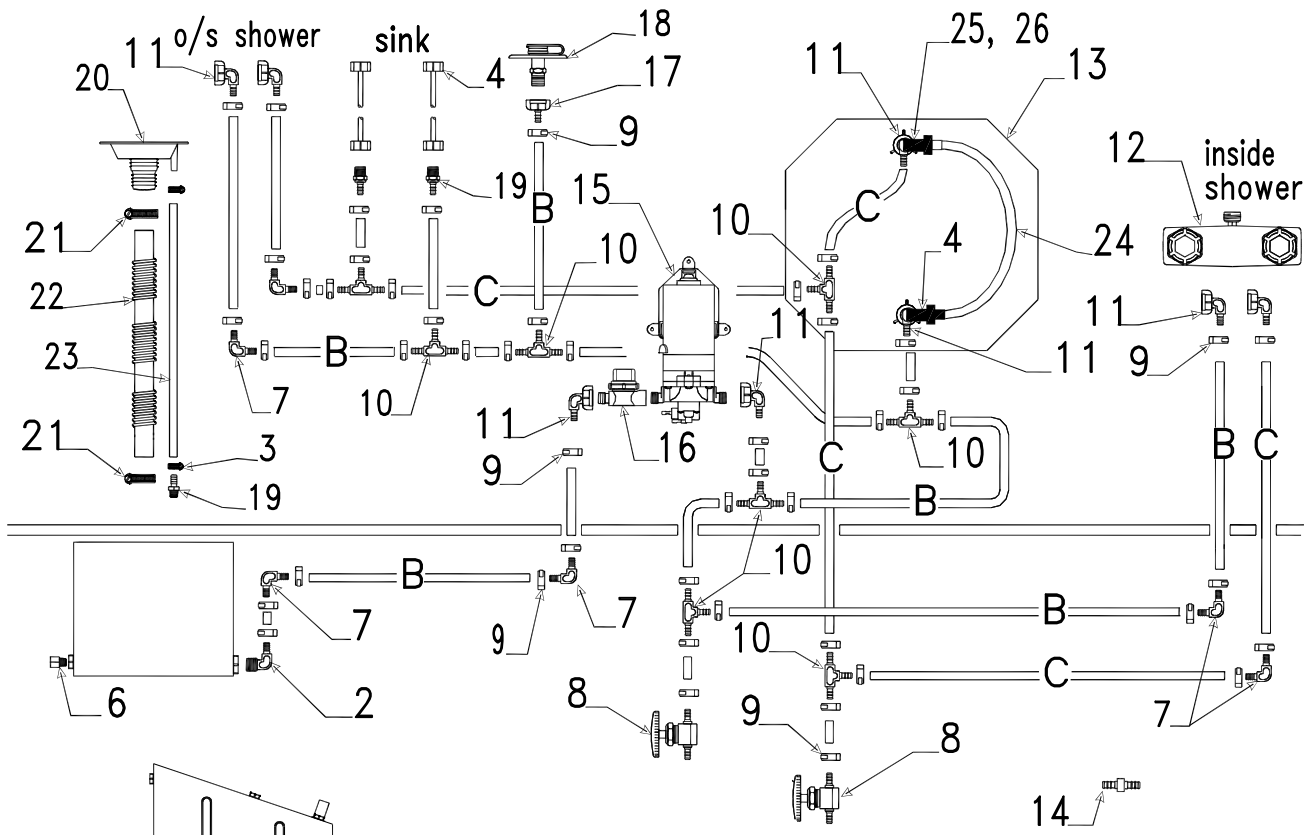


4376 Sedona	4769B6461	front bed assy. "complete" F.R. - .75
4376 Sedona	4769B6471	rear bed assy. "complete" F.R. - .75

Frnt. & Rear Bed Components - Sedona			
Flate Rate	Code	Part #	Description
0.40	1	4747C4051	plastic bed slide 18"
0.40		4747D3691	plastic bed slide 48"
		4752-3061	rivet m25
0.25	2	4714A1901	tent bow/leg package
0.25	3	4060300339P	vinyl bed seal pkg. (8' pc.)
0.15	4	4720K5631	bed bow bracket m2
0.20	5	4734E5881	frt./rr bed leg assy. 4376 Sedona
0.15	6	4720C0771	bed leg clip m4
		1203-8831	rivet m25
0.15	7	4720E4021	lashing hook m6
		1203-8741	rivet m25
0.20	8	4737A4178	support plate
	9	1203C8721	rivet m25
	10	4739E2908	screw cap m10
		4739-2918	screw cap washer m10
	11	4716-074	screw
		1202B2528	washer
0.20	12	4734A5141	bed leg bracket
	13	4720A2361	rod & pal nut
0.20	14	4747D3221	corner angle x4
		1203-8641	rivet m25
0.50	15	4747A3241	front & rear bed frame
0.60	16	4702-4031	side rail csf/rsf 4376
0.60	17	4702-4011	side rail csr/rsr 4376
0.20	18	4749B4891	bed stop
0.20	19	4758-9481	pull-out strap & rivets
		4758-8001	rivet "black" m25
0.50	20	4758A8301	tent retainer track & rivets



Water System & Related Parts - 4356 Yuma, 4376 Sedona			
FR	Code	Part #	Description
0.50	1	4757B0521	water tank (10 gallon) Yuma
0.50		4733J1411	water tank (10 gallon) Sedona
0.15	2	4769-0638	hose adapter
	3	4715-4501	1 1/4" hose clamp
0.35	4	4731H1081	water fill hose 24" pc.
	5	4060050003F	1/2" h.p. hose (sold/foot)
0.25	6	4750D5861	o/s shower complete
		4716-7511	key Ch751 m2
0.15		4750A2961	lock assy. w/key
	7	4731-3058	adjustable hose clamp
	8	4066550013P	pex tubing "cold" (20' pc. pkg.)
0.25	9	4769-0608	barbed tee 1/2"
	10	4765-2351	stainless steel clamp M100
0.20	11	4769-0598	line drain 1/2" barbed
0.25	12	4769-0618	1/2" barbed elbow
	13		
	14		
0.15	15	1218-7001	drain plug
	16	4769-1291	60" water line w/ 1/2" FIP x 1/2" FIP



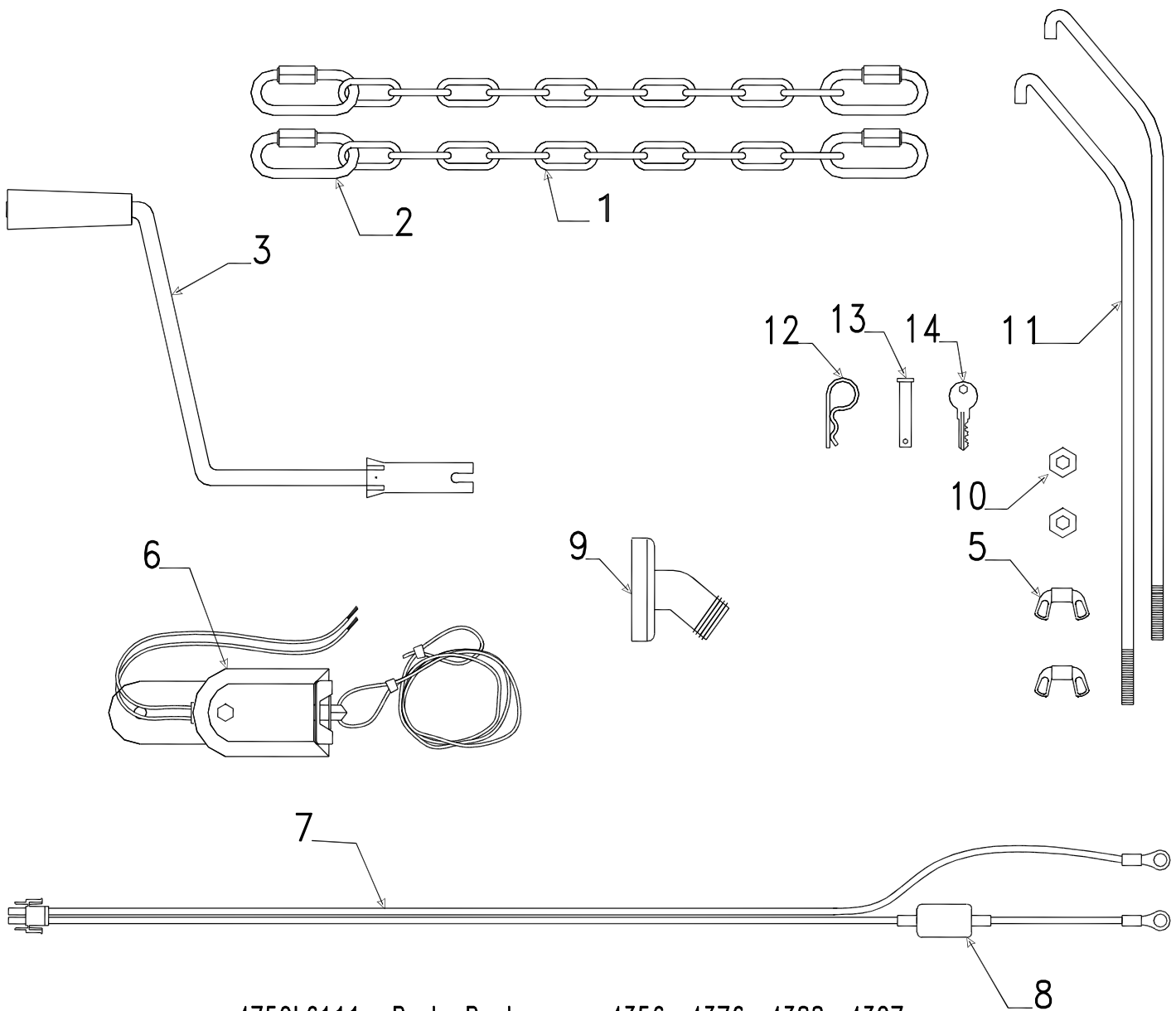
B 4066550013P 1/2" I.D. pex tubing "cold" (20' pc. pkg.)

C 4066550014P 1/2" I.D. pex tubing "hot" (20' pc. pkg.)

Water System & Related Parts - Sea Pine, Westlake

FR	Code	Part #	Description
1.50	1	4757B0521	water tank 4388 Sea Pine
1.50		4768A29961	water tank 4327 Westlake
0.25	2	4769-0648	1/2" barb x 1/2" mpt elbow
	3	4731-3058	adjustable hose clamp 3/8"
	4	4769-1301	48" water line 1/2" FIP ends
0.20	5	4758B5381	tank hanger x2 (all)
0.15	6	1218-7001	tank plug
0.25	7	4769-0618	1/2" x 1/2" barbed elbow
0.20	8	4769-0598	1/2" barbed line drain
0.25	9	4765-2351	1/2" ss clamp m100
0.25	10	4769-0608	1/2" barbed tee
0.25	11	4769-0628	1/2" b x 1/2" fpt swivel elbow
0.50	12	4741B2071	shower diverter
*	13	4750-3421	water heater
	14	4755A4828	1/2" x 1/2" insert coupler
0.50	15	4741F5571	electric water pump
0.25	16	4747A8311	water filter
0.20	17	4769-0588	1/2" straight swivel adapter
0.30	18	4732F1521	city fill
0.15	19	4769-0638	1/2" b x 1/2" mpt adapter
0.30	20	4731D1711	fill spout
	21	4715A4501	adjustable hose clamp
0.35	22	4731H1081	water fill hose (3' pc.)
0.20	23	4060050003F	1/2" h.p. hose (sold/ft.)
	24	4767-1381	nylon bypass hose 8"
		4767-1371	1/2" MPT brass tee
		4767-1391	brass check valve
		4767-1401	3 way MPT shut off valve

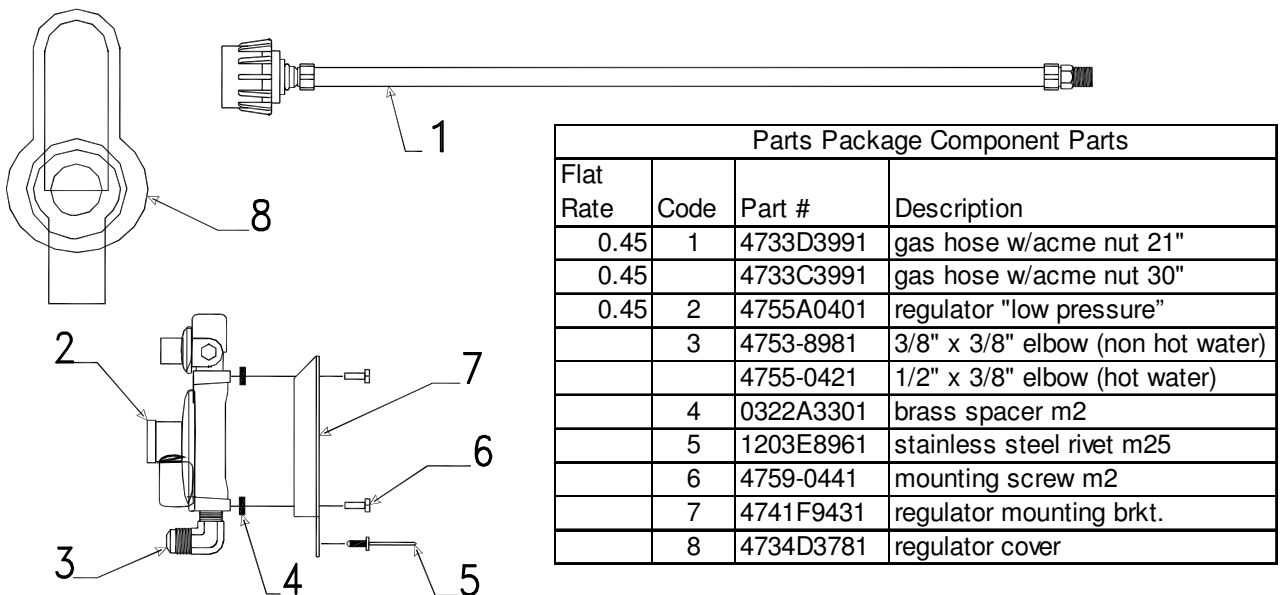
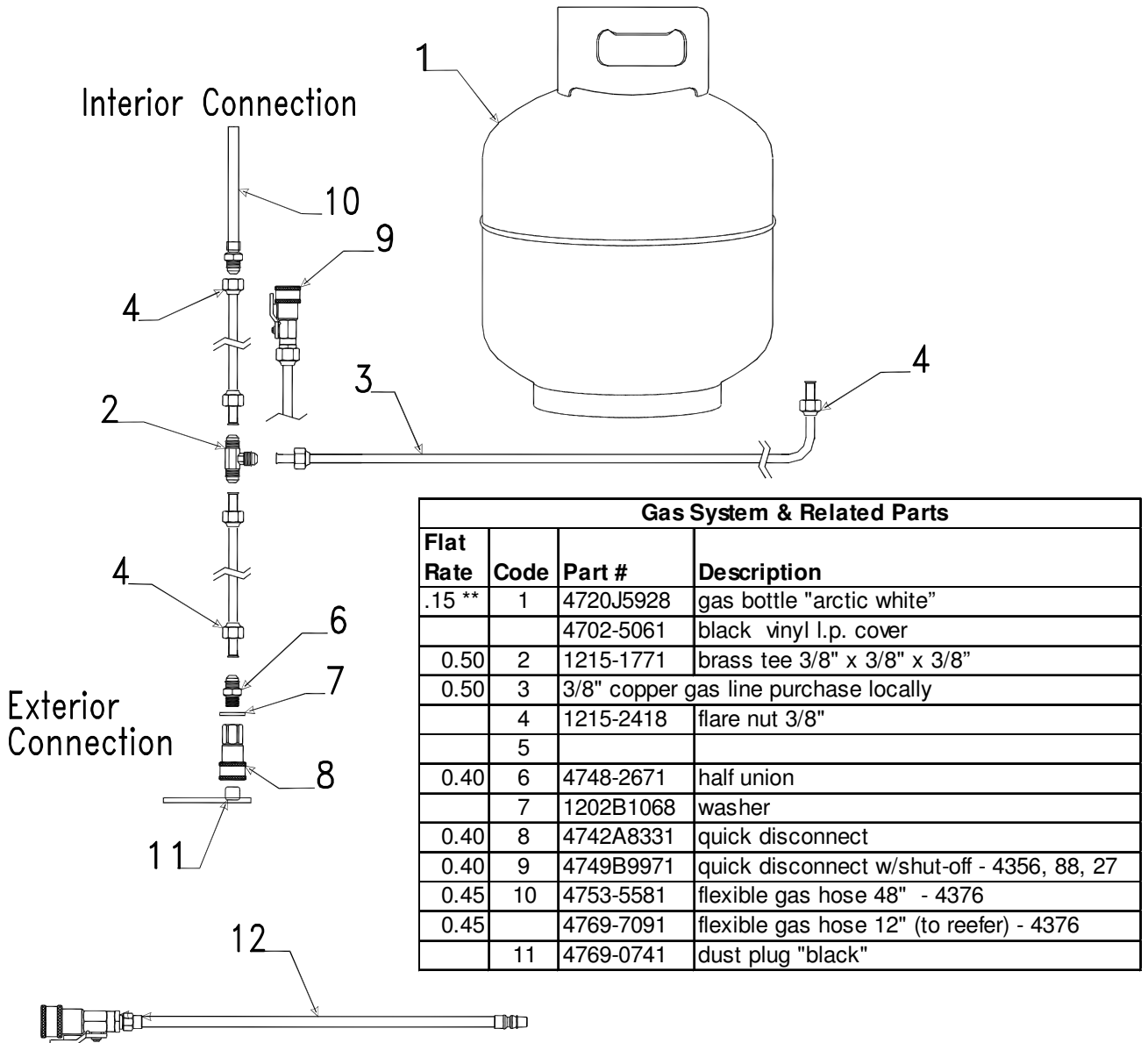
* Warranted By Vendor



4750L6111 Parts Package - 4356, 4376, 4388, 4327

Parts Package Component Parts		
Code	Part #	Description
1	4757A3901	29" tow chain w/quick links m2
2	4757-3891	quick link (sold/signally)
3	4747G4141	crank handle
4		
5	1201-6258	wing nut x2
6	4746-0401	breakaway switch
7	4749B5531	battery harness w/15 amp breaker
8	4751-4811	15 amp circuit breaker
	4759-0081	40 amp circuit breaker (power lift models only)
9	4737-9138	drain adapter
10	1202B0468	washer x2 m10
11	4733G6281	gas bottle mounting brkt. pkg.
	Note: pkg. includes (2) wing nuts, washers	
12	4732A4791	safety pin m10
13	4757-4491	hitch pin m5
14	4730B3211	key m10 # 8025 (gold plated)

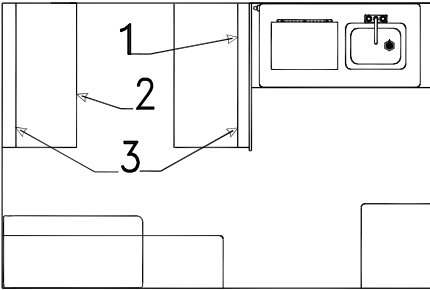
**** Serial Number Of Gas Bottle Must Be Supplied When Submitting Warranty**



Dinette Area Cushion/Backrest Assys. & Covers - 2009 Sedona, Flat Rate .10 Assembly - .25 Cover

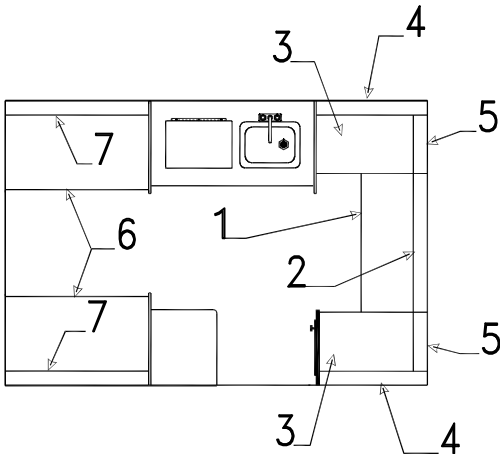
Model	Cushion Assy.	Cushion Cover	Model	Backrest Assy	Backrest Cover
4376 Sedona	4769B7051	4714A7051	4376 Sedona	4769B7061	4714B7061

Plastic Cushion Button x2 - 4710-2681 m5



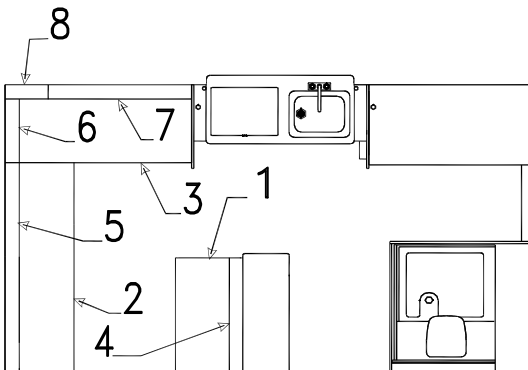
Cushion & Backrest Assy.'s - 4356 Yuma			
Flat Rate	Code	Part #	Description
0.10	1	4759H8921	cushion assy. 40 3/4" x 17 1/4" x 4"
0.25		4714H8921	cushion cover
0.10	2	4759G8851	cushion assy. 40 3/4" x 15" x 4"
0.25		4714G8851	cushion cover
0.10	3	4759G8931	backrest assy. 40" x 16 3/4" x 4"
0.25		4714G8931	backrest cover

Plastic Cushion Button x2 - 4710-2681 m5



Cushion & Backrest Assy.'s - 4388 Sea Pine			
Flat Rate	Code	Part #	Description
0.100	1	4754D7711	cushion assy. 40 1/2" x 22" x 4"
0.250		4714D7711	cushion cover
0.100	2	4754D7721	backrest assy. 40 1/2" x 13" x 4"
0.250		4714D7721	backrest cover
0.100	3	4754G7731	cushion assy. 35 1/2" x 20" x 4"
0.250		4714G7731	cushion cover
0.100	4	4754F7741	backrest assy. 35 1/2" x 13" x 4"
0.250		4714F7741	backrest cover
0.100	5	4754D7751	backrest assy. 15" x 13" x 4"
0.250		4714D7751	backrest cover
0.100	6	4759G8991	cushion assy. 40 5/8" x 15" x 4"
0.250		4714G8991	cushion cover
0.100	7	4759G8901	backrest assy. 39 1/2" x 14" x 4"
0.250		4714G8901	backrest cover

Plastic Cushion Button x2 - 4710-2681 m5

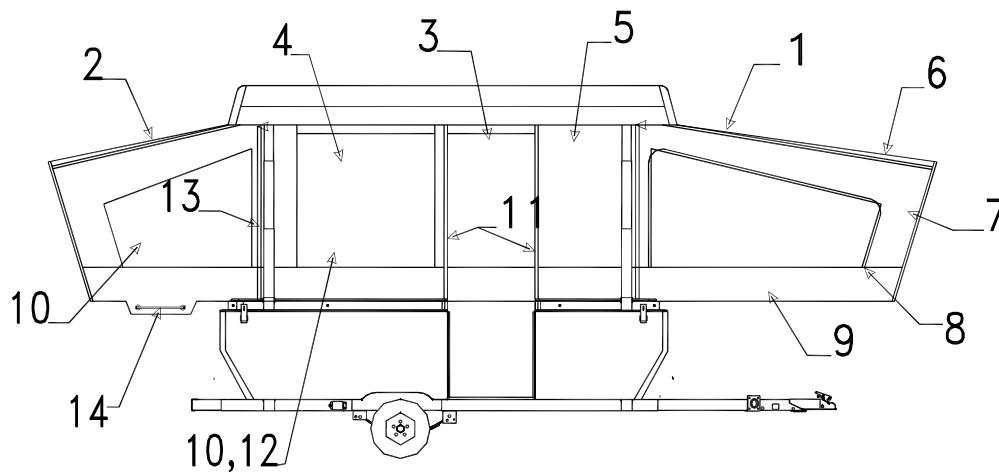


Cushion & Backrest Assy.'s - 4327 Westlake			
Flat Rate	Code	Part #	Description
0.10	1	4754G6611	cushion assy. 31 3/4" x 15 3/4" x 4"
0.25		4714G6611	cushion cover
0.10	2	4754G6621	cushion assy. 57 3/4" x 20" x 4"
0.25		4714G6621	cushion cover
0.10	3	4754G6631	cushion assy. 52" x 22 1/2" x 4"
0.25		4714G6631	cushion cover
0.10	4	4754G6581	backrest assy. 31 3/4" x 15 3/4" x 4"
0.25		4713G6581	backrest cover
0.10	5	4754H6701	backrest assy. 42 1/2" x 14 3/4" x 4"
0.25		4714H6701	backrest cover
0.10	6	4754H5991	backrest assy. 32 1/2" x 14 3/4" x 4"
0.25		4714H5991	backrest cover
0.10	7	4754G6591	backrest assy. 47" x 14" x 4"
0.25		4715G6591	backrest cover
0.10	8	4756F8051	backrest assy. 8 1/2" x 14 3/4" x 4"
0.25		4714F8051	backrest cover

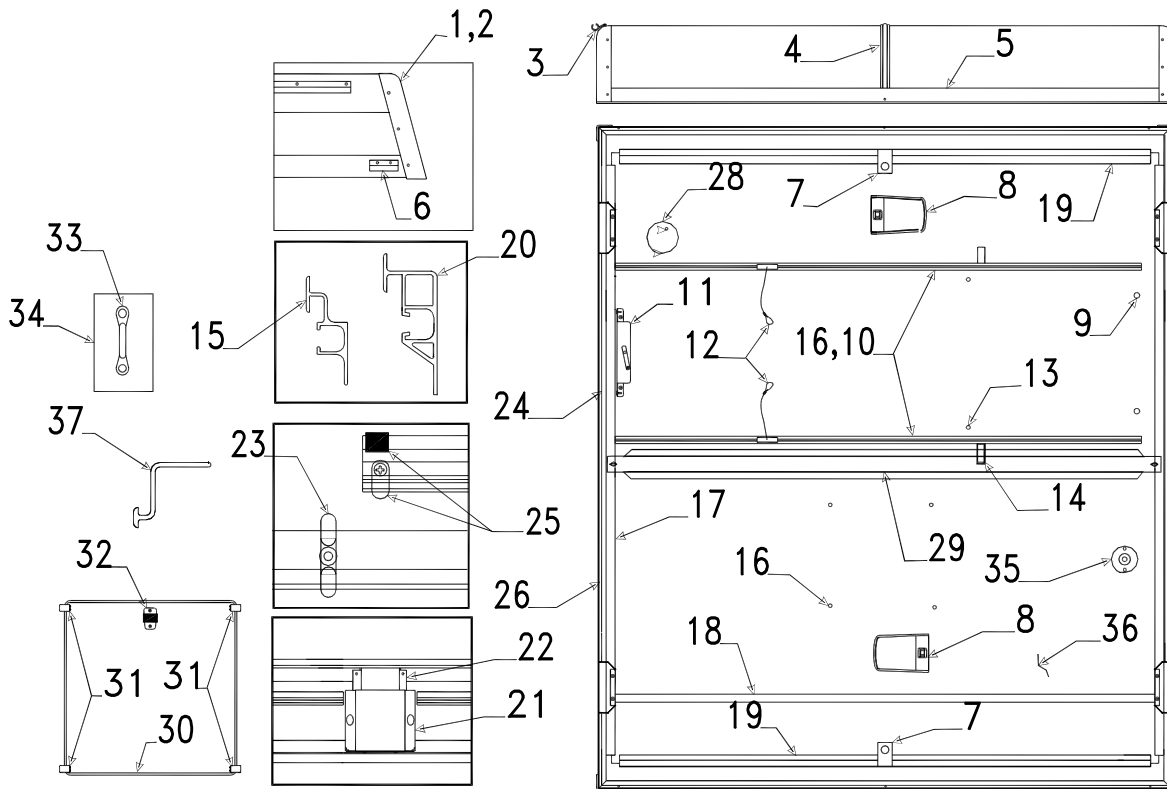
Drape Package (Less Valance Pkg.) - FR .30		
Note: Package includes privacy curtains		
Model	Drape Pkg.	# Of Panels
4356 Yuma	4767J5821	8
4388 Sea Pine	4767J5821	8
4327 Westlake	4767B7221	10
4376 Sedona	4724W8361	8
Drape Tab C-Shape - FR .05		
4750-2891 drape tab M60		
Privacy Curtain Pkgs. (Set of 2 Panels) - FR .15		
4713H5821 - Yuma, Sea Pine, Westlake, Sedona		
Shower Curtain "Vinyl" 4757-7301- 4327 Westlake		
Flat Rate - .20 4748-8161 shower curtain clip m10		
Dressing Room Curtain - FR .20		
4768C7041- 4327 Westlake		
Single Drape Panel w/Safety Strap - FR .15		
4713A8171	Single Drape Panel 17" x 43 1/2" - 4376 Sedona	
4713A8361	Single Drape Panel 36" x 43 1/2" - 4376 Sedona	
4713B2351	Single Drape Panel 26" x 45" - 4356, 4388	
4713B2431	Single Drape Panel 46" x 45" - 4388 4356	
4713B2111	Single Drape Panel 12" x 45" - 4327 Westlake	
4713B2161	Single Drape Panel 16 1/2" x 45" - 4327 Westlake	
4713B2321	Single Drape Panel 31 3/8" x 45" - 4327 Westlake	
Valance Package - FR .25		
4755M2761 - 4376 Sedona		
4755D7541 - 4356,4388		
4767B7231 - 4327 Westlake		
Drape Tie Package (Qty. 1) - FR .05		
4767B8371 - All models		

Mattress Assemblies & Covers			Flat Rate .50 per cover		
Model	Frnt. Matt. assy.	Frnt. Matt. Cover	Model	Rear Matt. assy.	Rear Matt. Cover
Yuma, Sea Pine	4769F8691	4714D8681	Yuma, Sea Pine	4767B9881	4714B9881
4327 Westlake	4767B9881	4714A9881	4327 Westlake	4767B9881	4714B9881
4376 Sedona	4754G7491	4714G7491	4376 Sedona	4754G7481	4714G7481

Mattress Assembly Dimensions		
Model	Frnt. Matt. Assy.	Rear Matt. Assy.
Yuma, Sea Pine	77" x 48" x 3 1/2"	77" x 70" x 3 1/2"
4327 Westlake	77" x 70" x 3 1/2"	77" x 70" x 3 1/2"
4376 Sedona	77" x 56" x 3 1/2"	77" x 40" x 3 1/2"



Sunbrella Tenting & Components			
Flat Rate	Code	Part #	Description
0.50	1	4767C7181	front boot 66" 4356 Yuma, 4388 Sea Pine
0.50		4767C7181	front boot 4327 Westlake
0.50		4754D7521	front boot 4376 Sedona
0.50	2	4769F5701	rear boot 48" 4356 Yuma, 4388 Sea Pine
0.50		4767C7181	rear boot 4327 Westlake
0.50		4754D7531	rear boot 4376 Sedona
0.20	3	4769F5661	large window 4356 Yuma
0.20		4769F5661	large window 4388 Sea Pine
0.20		4767B7191	large window 4327 Westlake
0.20		4769C6401	large window 4376 Sedona
0.20	4	4769F5681	small window 4356 Yuma
0.20		4769F5681	small window 4388 Sea Pine
0.20		4767B7201	small window 4327 Westlake
0.20		4769C6411	small window 4376 Sedona
0.15	5	4769F5691	door seal 4356 Yuma
0.15		4769F5691	door seal 4388 Sea Pine
0.15		4767B7211	door seal 4327 Westlake
0.15		4769D6421	door seal 4376 Sedona
	6	8118501430P	top vinyl pkg. (85" x 3 yards)
	7	4716C0851	sunbrella patch package (12" x 14")
	8	665000020P	zipper (sold/yard) used around window
		1225A4461	zipper pull m5
	9	8118001438P	green bottom vinyl facing pkg. (3 yd. x 80")
	10	4714E1611	screen package (54" x 3 yards)
		4714A0361	screen package (54" x 13 yards)
	11	4350000009P	1" velcro hook (10' pc. Pkg.)
	12	4716A2401	clear window vinyl (42 1/2" x 3 yards)
	13	1225G3768	45 1/2" side zipper pin half 4356, 88, 27, 76
		1225G3758	45 1/2" side zipper slider half 4356, 88, 27, 76
0.50	14	4060000245CP	shock cord (150' package)
0.50		4714C6021	shock cord & hooks m2 (two 14' lengths)
0.15		4724A2011	shock cord termination (plastic hook) m10
	15	4060000024F	arrowhead seal (sold/foot)
0.30	16	4735D6721	extension harness
0.50	17	4743-1588	k-kote seam sealer
	18	4728-5641	tent retainer pkg.
0.30	19	4710-1001	vinyl daubing "white" m2
0.30		4710-1011	vinyl daubing "grey"
0.30		4710-1021	vinyl daubing "green" m2



4768J5041	Top Assembly 4356 Yuma F.R. - 3.00	4767F7241	Top Assembly 4376 Sedona F.R. - 3.00
4768J5041	Top Assembly 4388 Sea Pine F.R. - 3.00	4768H5011	Top Assembly 4327 Westlake F.R. - 3.00

FR	Code	Part #	Description	FR	Code	Part #	Description
0.50	1	4716U1981	top corner pkg. (pkg. of 4)		17	4769A2511	side cove cs/rs 4356,4388
		4356500043P	1" x 3/16" butyl tape (20' pc. pkg.)			4769B2531	side cove cs/rs 4376
		4768-3048	caulking "white" silaprene			4747F3791	side cove cs/rs 4327
	2	4745-3968	screw "white"	0.20	18	4350400004F	vinyl tape (sold/foot)
0.50	3	3530900243P	canopy track (must cut to size)		19	4756D06711	cove (front/rear)
1.00	4	4752-02791	center seam (must cut to size)			4747-2558	expansion rivet m25
		4060400096F	vinyl screw cover (sold/foot)	0.30	20	4060000092P	tent track (must cut to size)
		4773-2338	hex head screw			1103E1018	screw stainless steel
		4350000101P	1" x 1/8" butyl tape (30' pc. pkg.)	0.20	21	4747D5521	lift pocket cover x4 (all)
0.50	5	4756A0681	frt./rr. seal extrusion			4741D3558	hole plug x2
0.15	6	4750A9581	top strike m2			4351400005F	velcro loop (sold/yard)
		4744C2461	torx head screw "painted" m2	0.25	22	4741B5431	lift pocket x4
		1201B6958	nut (x2 per strike)			1201B6378	lock nut (x2 per pocket)
0.15	7	4741F11381	tent support brkt.	0.15	23	4743-2501	plastic screen dr. latch pkg.
		4733F41361	screw "painted" x2	0.50	24	4060100399P	rubber top seal (40' package)
0.15	8	4737L5911	single dome light	0.20	25	4728A5641	tent retaining pkg.
0.15		4744G4741	double dome light	0.05		4750-2891	drape tab c-shape m60
		1103B1028	screw x4			4738-3088	screw
	9			0.75	26	4759C2411	side seal extrusion 4356,4388
0.30	10	4733H47181	screen door track x2	0.75		4800-7281	side seal extrusion 4376
		4744B4611	expansion rivet m25	0.75		4747E1291	side seal extrusion 4327
0.20	11	4749C5571	screen door bracket	0.25	27		
		4747-2558	expansion rivet m25	0.15	28	4767A4641	carbon monoxide detector
		4749-2138	snap button m2		29	4716A8991	roof brace kit
		1203-8631	rivet m25	0.10	30	4755B5231	shower curtain rod 4327
0.15	12	4734D5211	screen door cable m6 (all)	0.20	31	4755-5211	shower rod strap x4 4327
	13	4730A3548	stud w/screw x2	0.15	32	4767-0101	shower head brkt. 4327
0.15	14	4723A5061	strap x2		33	4733B4511	steel loop m2
0.30	15	4060000093P	tent track (frt./rr.)		34	4350000125P	3" x 4" flextrud white
		1103E1018	screw stainless steel		35	4756A8291	aux. light jack w/rivets
		4747-2558	expansion rivet m25		36	6009435020P	ceiling panel 4' x 8'
	16	1203-9258	plastic accordion rivet m25		37	4060000082P	valance pvc track 140" pc.

1.50 For A/C | 1.00 For Crossbars | .50 For Disposal