

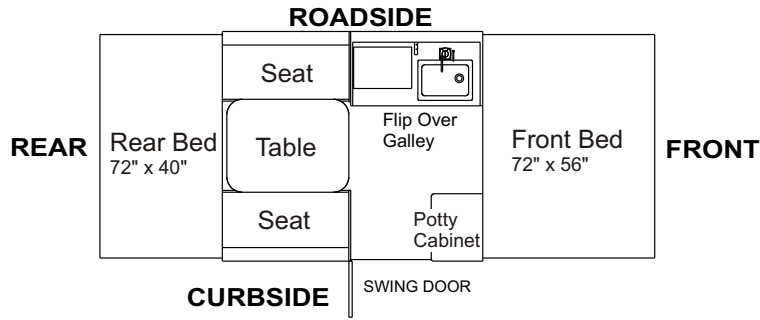


**2008**  
**Evolution Series**  
**Repair Parts Catalog**

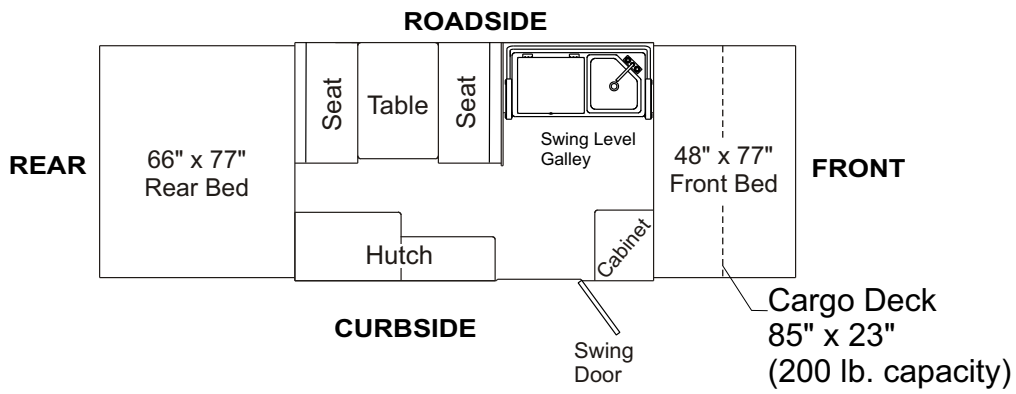
4228 Cobalt 8'  
4247 E1 - 9 1/2'  
4244 E2 - 11'  
4237 E3 - 12'

# 2008 Evolution Series

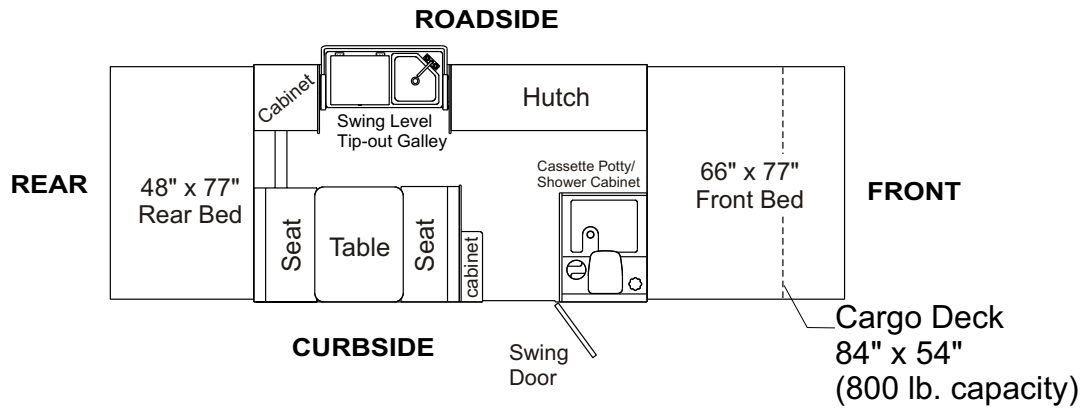
## 4228 COBALT 8'



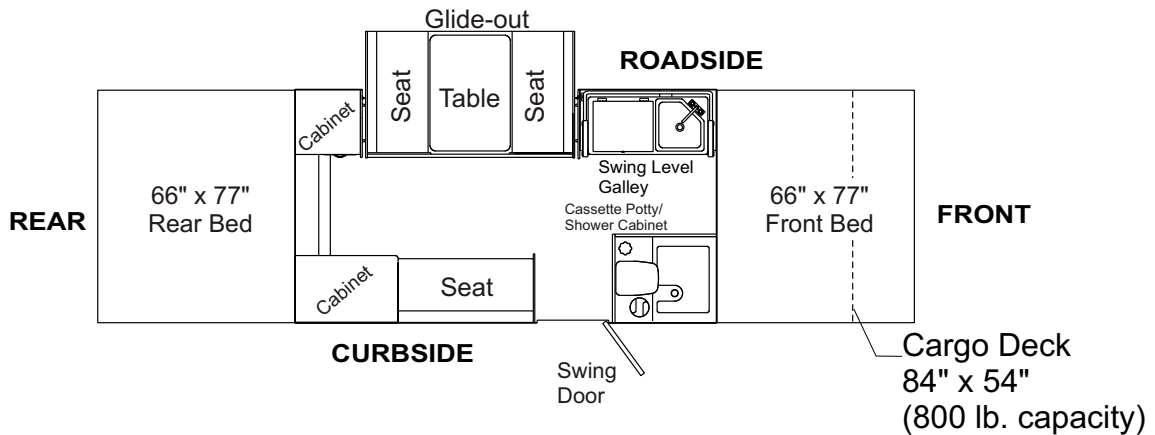
## 4247 E1 9 1/2'



## 4244 E2 11'



## 4237 E3 12'

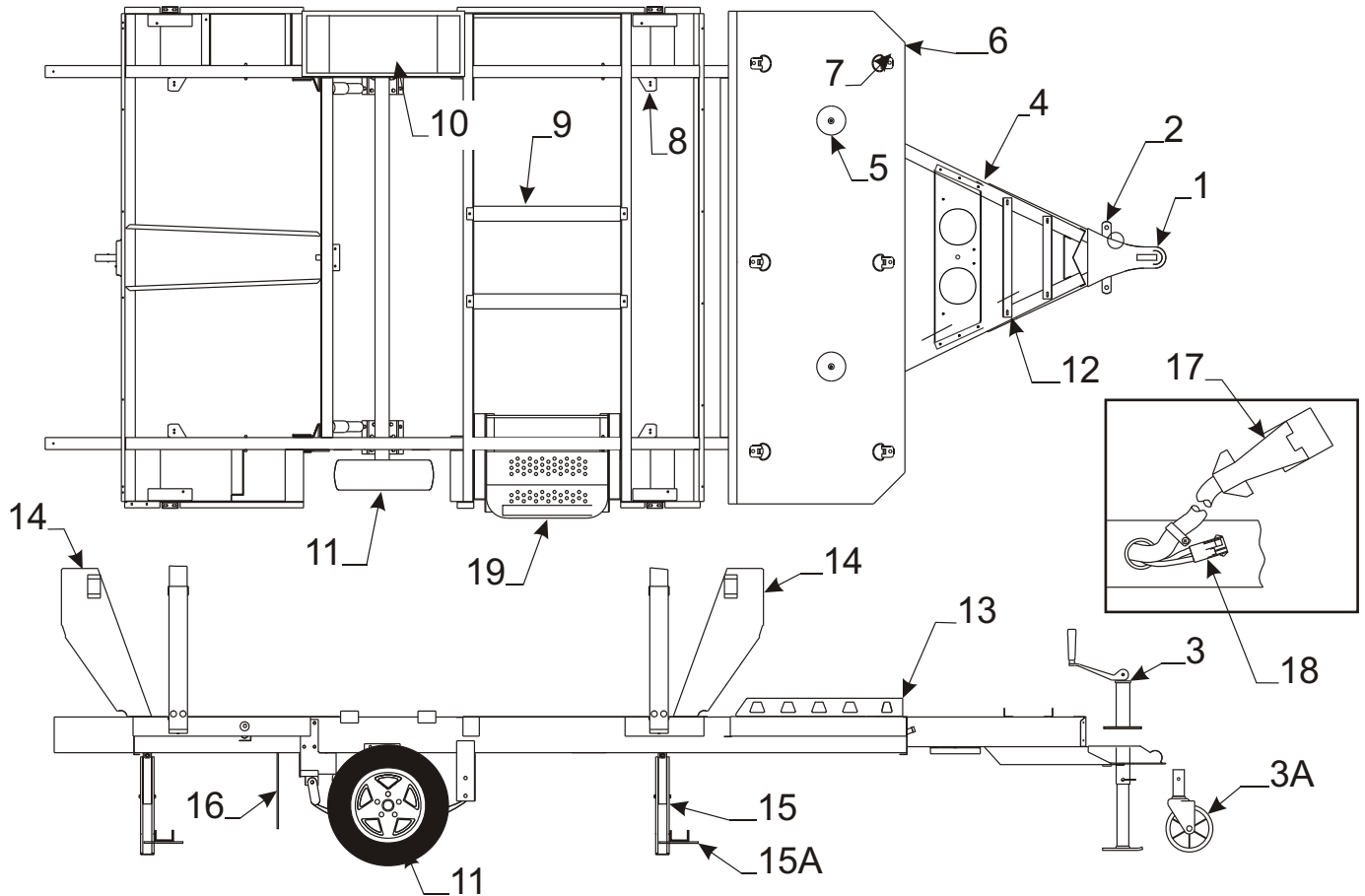


## **TABLE OF CONTENTS**

<b>DESCRIPTION</b>	<b>PAGE</b>
Access door key .....	36
Access door assembly & related parts .....	14, 18
Auto extension .....	9
Axle assemblies & related parts .....	8
Backrest assemblies & covers .....	40
Bed assemblies.....	34, 35
Bed extensions & related parts .....	34
Body panel right rear "curbside" .....	12, 19
Body panel left side "roadside" .....	15, 20
Body panel left side glide-out "roadside" .....	16
Body panel front & rear .....	10, 11
Body panel right front "curbside".....	13, 19
Bumper & related parts .....	10, 11
Cabinet assy. <b>E1</b> (csf corner cabinet) .....	26
Cabinet assy. <b>E2, E3</b> (csr seat/cabinet) .....	28
Cabinet assy. "rsr galley cab." <b>E2</b> .....	24
Cabinet/Hutch assy. csr <b>E1</b> .....	28
Cabinet/Hutch assy. rs <b>E2</b> .....	29
Cabinet assy. rsr corner <b>E3</b> .....	26
Cabinet assy. csf corner <b>Cobalt</b> .....	27
Carbon monoxide detector .....	42
Caulking .....	9
Converter & related parts .....	32
Coupler assembly .....	2, 3, 4
Crank-up/crank-down components .....	6
Crank handle .....	36
Cushion assemblies & covers .....	40
Cargo deck gates/rails .....	2, 3
Cargo tie down anchors .....	2, 3
Deck platform .....	2, 3
Door bulkheads .....	12, 13, 18
Drain assy./drain hose (used on sinks) .....	22
Drape packages & related parts .....	40
Drawer assy. and components <b>E1</b> .....	26
Electric brakes & related parts .....	9
Faucet "galley" .....	24, 25
Faucet "shower" .....	30
Faucet "outside faucet" .....	39
Fire extinguisher & components .....	28
Floor covering .....	2, 3, 4
Frame assembly & related parts .....	2, 3, 4
Furnace exhaust vent .....	9, 10
Furnace vent "interior" .....	15, 20
Galley components .....	24, 25
Gas detector .....	32
Gas hose (gas bottle hook-up) .....	37
Gas hose (outside grill hook-up) .....	37
Gas bottle mounting brackets .....	36, 37
Gas quick disconnect (outside gas hookup) .....	37
Gas bottle cover (black vinyl) .....	37
Gas bottle & related parts .....	37
Gate/Ramp (loading ramps/gates) <b>E2, E3</b> .....	3
Glide-out components <b>E3</b> .....	16, 17
Glide-out tent bow/support <b>E3</b> .....	33
Grease cap (dust cap) .....	9
Hub assembly & related parts .....	9
Hutch assembly "curbside" <b>E1</b> .....	28
Hutch assembly "roadside" <b>E2</b> .....	29
Hutch/seat assy. "curbside" <b>E3</b> .....	28
Lift assemblies & related parts .....	7
Lift trim & miter covers .....	12, 13
Lug wrench .....	36
Mattress assemblies & covers .....	40
Mud flaps .....	2, 3

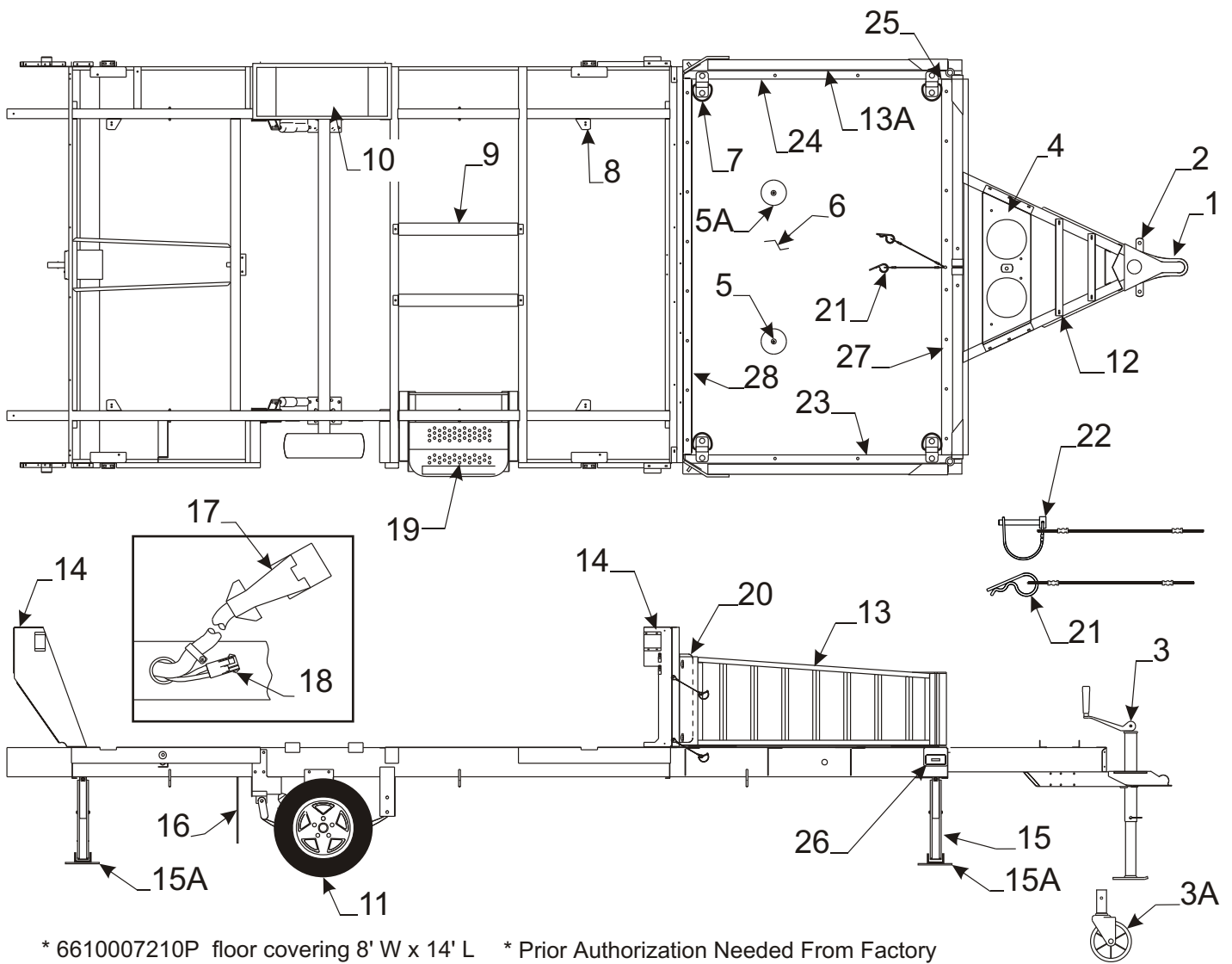
<b>DESCRIPTION</b>	<b>PAGE</b>
Paint (spray & quart can) .....	9
Paneling & trim .....	32
Parts package & components .....	36
Pigtail (car end) .....	2, 3
Potty "cassette" <b>E2, E3</b> .....	30
Potty hatch door exterior <b>E3</b> .....	30
Power cord (converter) .....	36
Power lift components .....	5
Ramp/Gate (loading ramps/gates) <b>E2, E3</b> .....	3
Receptacle (exterior) .....	12, 19
Receptacle (interior) .....	32
Refrigerator vents .....	15, 16
Regulator & fittings .....	36, 37
Safety chains .....	36
Screen door & related parts .....	38
Seat bench component parts .....	27, 31
Shock kit .....	8
Shower curtain <b>E2, E3</b> .....	40
Shower curtain rod <b>E2, E3</b> .....	42
Shower stall w/potty components <b>E2, E3</b> .....	30
Shower stall cover board <b>E2, E3</b> .....	30
Sink & related parts .....	22
Spare tire cover (black vinyl) .....	2, 3
Spare tire mount & components .....	10, 11
Speakers "interior" .....	28
Speakers "exterior" .....	12
Stabilizer assembly .....	2, 3, 5
Stabilizer handle/lug wrench combo .....	36
Step (entry step) .....	2, 3, 18
Stove components (galleys) .....	23
T.P. holder <b>E2, E3</b> .....	30
Table assemblies & related parts .....	23
Taillights (rear body panel) .....	10, 11
Tent support assemblies & related parts .....	33
Tenting & related parts (Sunbrella) .....	41
Thermostat (Hydro Flame) .....	32
Thrust bearing .....	6
Tie backs (curtains) .....	40
Tip-out, glide-out tent bow/support <b>E2, E3</b> .....	33
Tie down anchors .....	2, 3
Tire & rim .....	2, 3, 4
Tire cover "black vinyl" .....	2, 3, 4
Tongue jack & related parts .....	2, 3, 5
Top assemblies & related parts .....	42, 44
Water heater .....	39
Water heater door exterior .....	12
Water faucet .....	24, 25
Water system & related parts .....	39
Wheel well .....	2, 3, 4
Whiffletree & related parts .....	7
Zipper (tenting assemblies) .....	41

Axle/Brakes - Dexter .....	574/295-7800
Cassette Potty - Thetford .....	800/354-4135
Converter - World Friendship Co. ....	800/900-2468
Furnace - Hydro Flame #7916-11 .....	800/546-8759
Hand pump - Leisure Components.....	562/865-0401
Power Lift - Barker .....	888/367-6978
Refrigerator - Dometic .....	800/216-5115
Oven/Range - Atwood Greenbrier .....	800/646-8557
Stove/Grill - Vitco .....	877/825-8528
Tires - Kenda .....	800/225-4714
Water heater - Suburban #5031E .....	423/775-2131
Yakima bike rack - to obtain repair parts .	800/925-4621



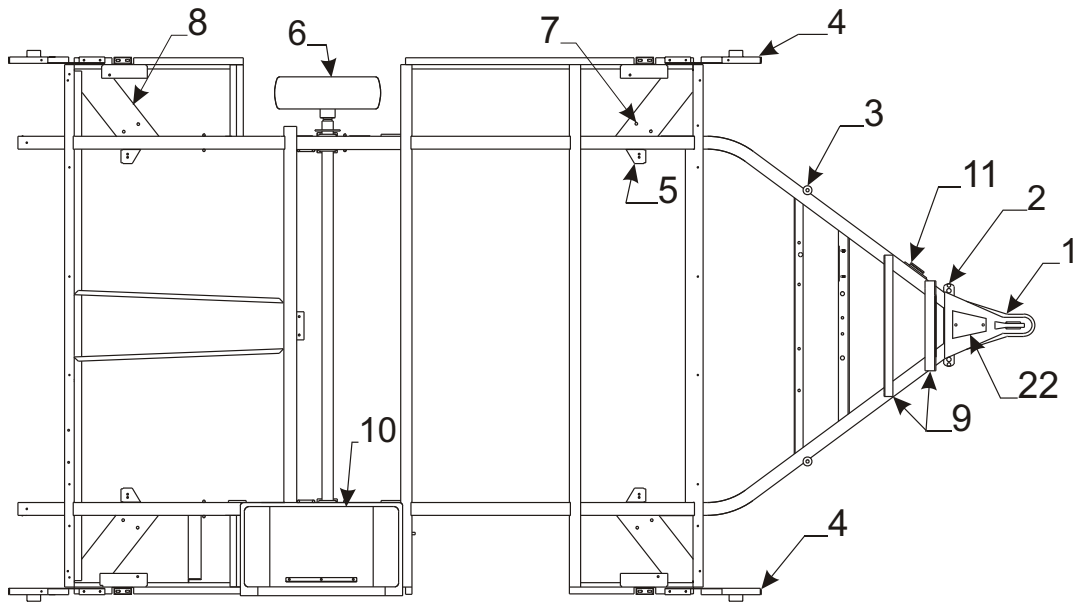
\* 6610007210P floor covering 8' W x 14' L  
 \* Prior Authorization Needed From Factory

Frame Component Parts - 4247 E1							
Flat Rate	Code	Part #	Description	Flat Rate	Code	Part #	Description
1.50	1	4772-4231	coupler assembly 2"		12	4716A7151	frt./rear battery angle pkg.
.75	2	4720A3561	chain bar	.50	13	4713A0041	deck rail kit
.25	3	4772B4221	center mount tongue jack	2.00	14	4701-509	corner bulkhead csr/rsf
.05	3A	4773-0421	caster wheel	2.00		4701-508	corner bulkhead rsr/csf
.50	4	4701A2631	dual gas bottle tray	.25	15	4701A2491	stabilizer assembly
.10	5	4714-0341	bed leg pin pkg.			4766A053	tek screw (x4 per stabilizer)
		4702A428	round steel plate "black"			4761-2401	stabilizer crank handle
1.00	6	4701B15661	deck		15A	4800-6771	sand shoe kit (pkg. of 4)
.10	7	4701-1911	tie down anchor	.20	16	4713-0051	mud flap pkg. rt./lt.
.75	8	4732E3671	adjustable pulley brkt. x4		17	4716-5871	wire harness repair kit 8' pc.
.50		4715A5371	pulley & bearing m10			1201-8738	3/8" clamp
		4720C1578	short pin m4			1203C8721	steel rivet m25
		1204B1081	cotter pin m10		18	4716A5001	12 volt power harness
.20	9	4758A5391	tank hanger 11" x 24 1/2"	.15		4749B5531	12 volt wire harness m2
.20		4758B5391	tank hanger 8" x 24 1/2"	.50	19	4701A5341	double step
2.00	10	4769-7611	wheel well assy. x2				
		4060000689P	bulb seal (6' pc. pkg.)				
.25	11	4701A2388	tire & rim 15" star mag				
.25		4763-1508	spare tire & rim 15" wht.				
.05		4701-5671	15" vinyl tire cover				



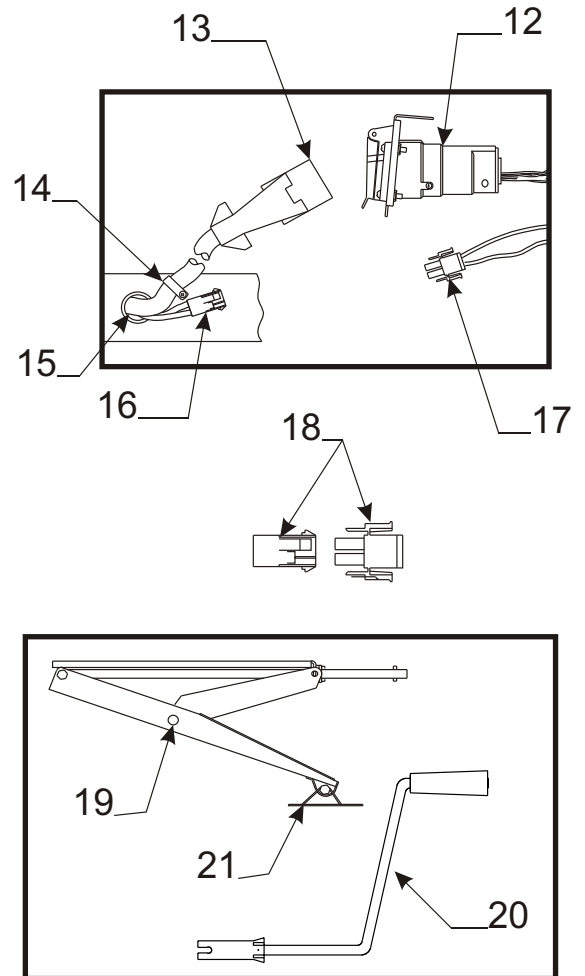
\* 6610007210P floor covering 8' W x 14' L \* Prior Authorization Needed From Factory

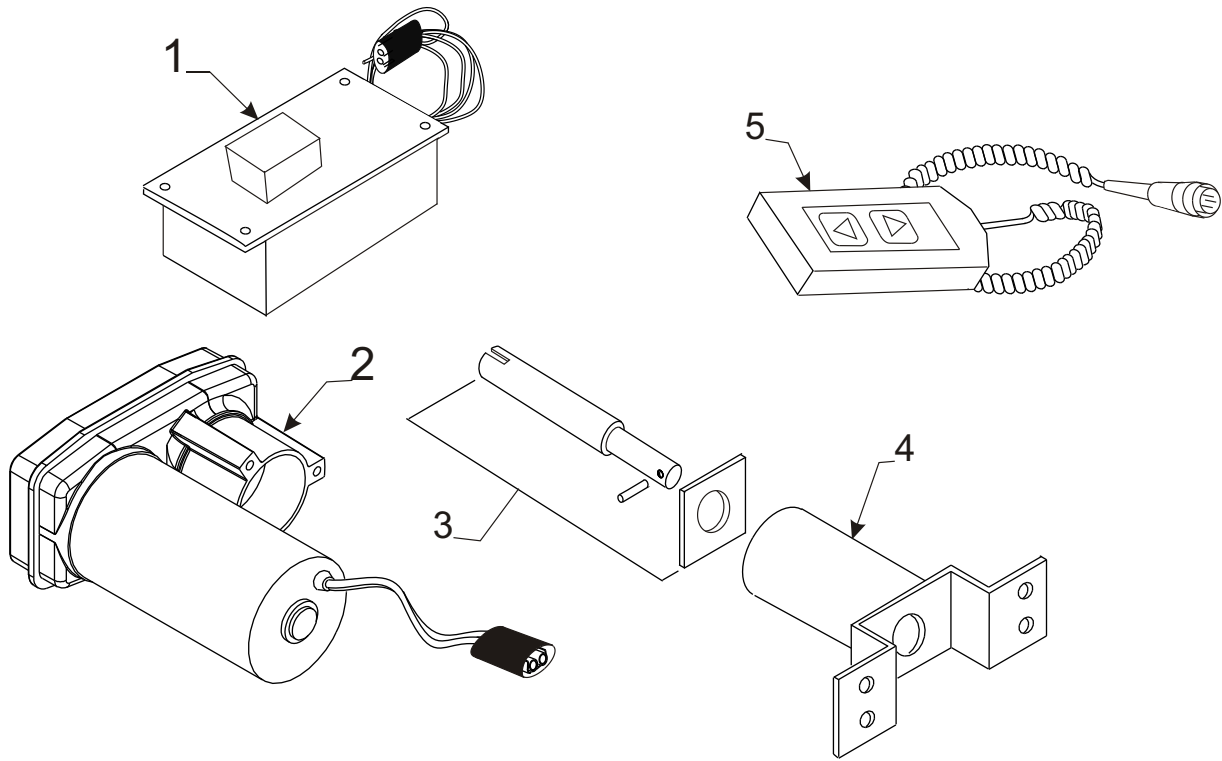
Flat Rate	Frame Code	Component Parts - E2, E3 Part #	Description	Flat Rate	Code	Part #	Description
1.50	1	4702-1971	coupler 2 5/16"	.25	15	4701A2491	stabilizer assembly
.75	2	4720A3561	chain bar			4766A053	tek screw (x4 per stabilizer)
.25	3	4772B4221	center mount tongue jack			4761-2401	stabilizer crank handle
	3A	4773-0421	caster wheel		15A	4800-6771	sand shoe kit (pkg. of 4)
.50	4	4701A2631	dual gas bottle tray	.20	16	4713-0051	mud flap pkg. rt./lt.
.10	5	4713-0341	bed leg pin pkg.		17	4716-5871	wire harness repair kit 8' pc.
	5A	4702A428	round steel plate "black"			1201-8738	3/8" clamp
1.00	6	4702-7041	deck platform 80" x 50"			1203C8721	steel rivet m25
.10	7	4701-1571	tie down anchor x4			4742-8108	1 1/4" snap bushing
.75	8	4732E3671	adjustable pulley brkt. x4	.15	18	4716A5001	12 volt power harness
.50		4715A5371	pulley & bearing m10	.50	19	4749B5531	12 volt wire harness m2
		4720C1578	short pin m4	.30	20	4701A5341	double step
		1204B1081	cotter pin m10	.30		4702-5241	corner angle assy. cs right
.20	9	4758A5391	tank hanger 11" x 24 1/2"	.30		4702-5251	corner angle assy. rs left
.20		4758B5391	tank hanger 8" x 24 1/2"	.15	21	4702-5701	rail pin & cable assy. x2
2.00	10	4769-7611	wheel well x2			4758-9921	tek screw m12
		4060000689P	bulb seal (6' pc. pkg.)	.10	22	4765-6101	snapper pin & cable
.25	11	4701A2388	tire & rim 15" star mag.	.50	23	4702-1201	deck trim "curbside"
.25		4763-1508	spare tire & rim 15" wht.	.50	24	4701A9681	deck trim "roadside"
		4701-5671	15" vinyl tire cover	.15	25	4702-5891	ramp/gate supt. plate assy.
	12	4716A7151	battery angle pkg.	.10	26	4714J08481	amber marker light
.50	13	4702A5221	cs ramp/gate	.50	27	4716A4571	amber lens (lens only)
.50	13A	4702A5231	rs ramp/gate	.50	28	4702A4331	front deck trim "black"
		4702-4061	ramp strap set (set of 2)	.50		4702A4301	rear deck trim "black"
2.00	14	Note: must contact factory for this item					



\* 661007210P floor covering pkg. (8' x 12' ) \* Prior Authorization Needed From Factory

Flat Rate	Frame Code	Assembly Part #	Component Parts - 4228 Cobalt Description
1.50	1	4772-4231	2" coupler assembly
.75	2	4748-6611	chain bar w/pins
.50	3	4758-0381	bed leg pin & washer
.10		4747-8941	pin cover m2 (plastic)
2.00	4	4747B5511	corner bulkhead csr/rsf
2.00		4747B5501	corner bulkhead rsr/csf
		1203C8751	rivet m25 (rivet bulkhead to frame)
.75	5	4732E3671	adjustable pulley brkt. x4
.50		4715A5371	pulley & bearing m10
		4720C1578	short pin m4
		1204B1081	cotter pin m10
.25	6	4701-3768	tire & rim 10" (gray) 205/65-10C/5
.05		4701-6341	black vinyl tire cover 10" tire
	7	4755D6651	stabilizer gusset rsf/csr
	8	4755D6641	stabilizer gusset csf/rsr
	9	4716A7151	frt./rear battery angle pkg.
2.00	10	4701-6471	wheel well assy. x2
		4060000689P	bulb seal (6' pc. pkg.)
.75	11	4720B3331	jack bracket (welded to tongue)
	12	4746A5591	pigtail - "car end"
	13	4716-5871	harness repair kit (8' pc.)
	14	1201-8738	3/8" clamp
		1203C8721	steel rivet m25
	15	4742-8108	1 1/4" snap bushing
	16	4716A5001	12 volt power harness
.15	17	4749B5531	12 volt wire harness m2 (battery connection)
.15	18	4716A4701	12 volt cap & plug m2
.25	19	4751B3351	stabilizer (screw down) x4
	20	4747G4141	crank handle
.10	21	4755A6841	sand shoe (pkg. of 4)
.10	22	4767A8731	coupler hole cover plate



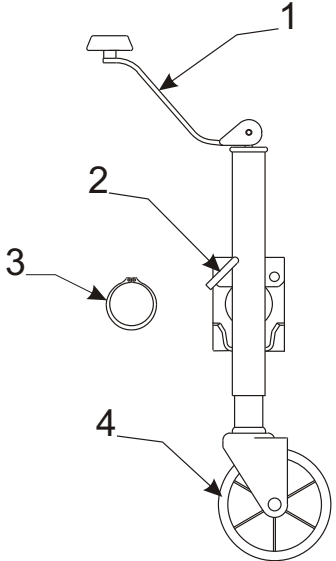


Flat Rate	Code	Part #	Description
.25	1	4768A0681	current limiter
1.50	2	4767B6461	power head motor
1.50	3	4768-0851	6" adapter, pin & square washer
1.50	4	4768-0671	mounting weldment
.05	5	4768A0691	hand controller



**Tongue Jack Assembly (4720C6661) - Cobalt only**  
 Flat Rate .10 Jack Removal

FR	Code	Part #	Description
.15	1	4716-1951	jack handle kit
.15	2	4716-1981	locking plunger kit
.10	3	4720A3341	snap ring
.25	4	4716-1971	jack wheel nut & bolt



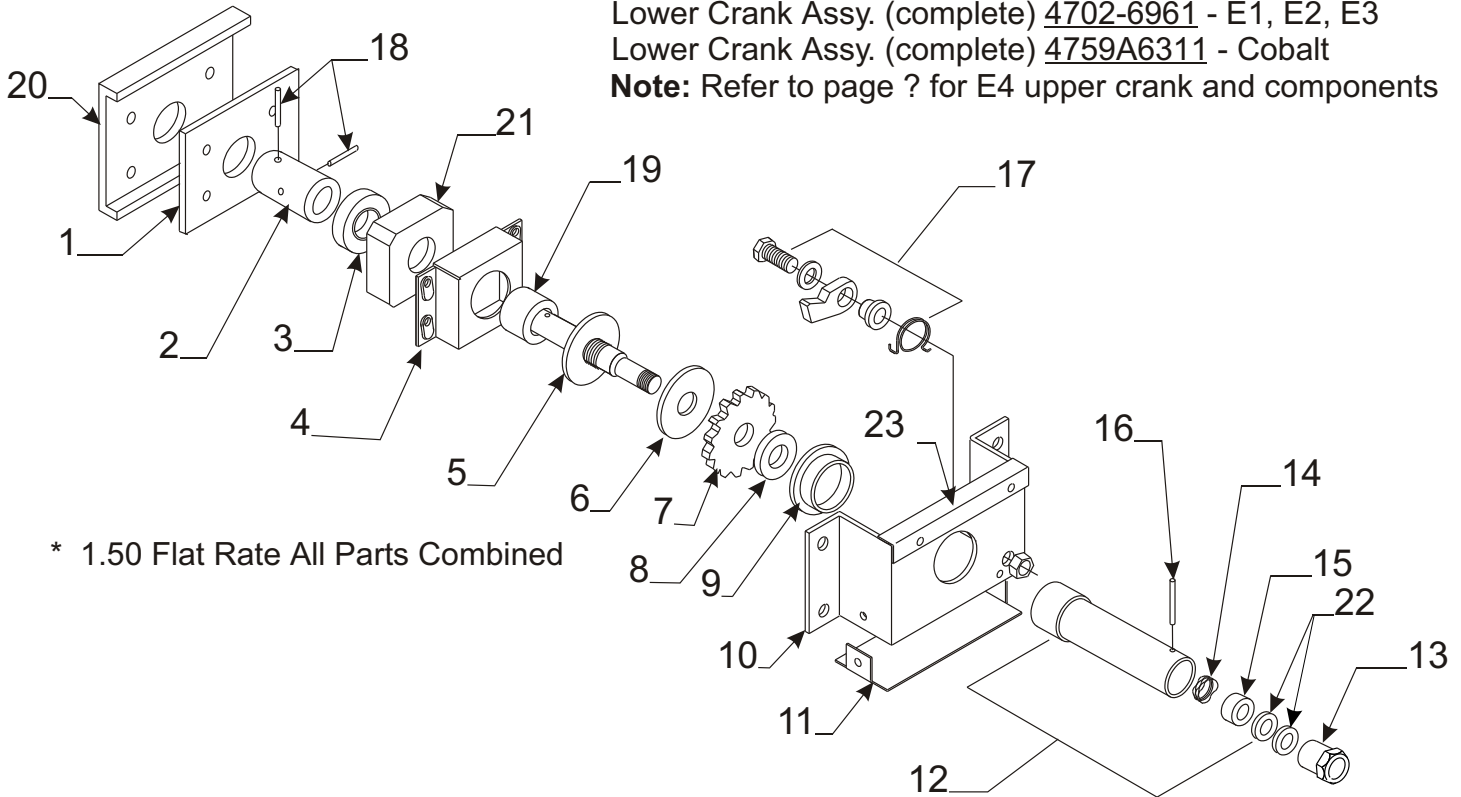


**1.50 FLAT RATE**

Lower Crank Assy. (complete) 4702-6961 - E1, E2, E3

Lower Crank Assy. (complete) 4759A6311 - Cobalt

**Note:** Refer to page ? for E4 upper crank and components



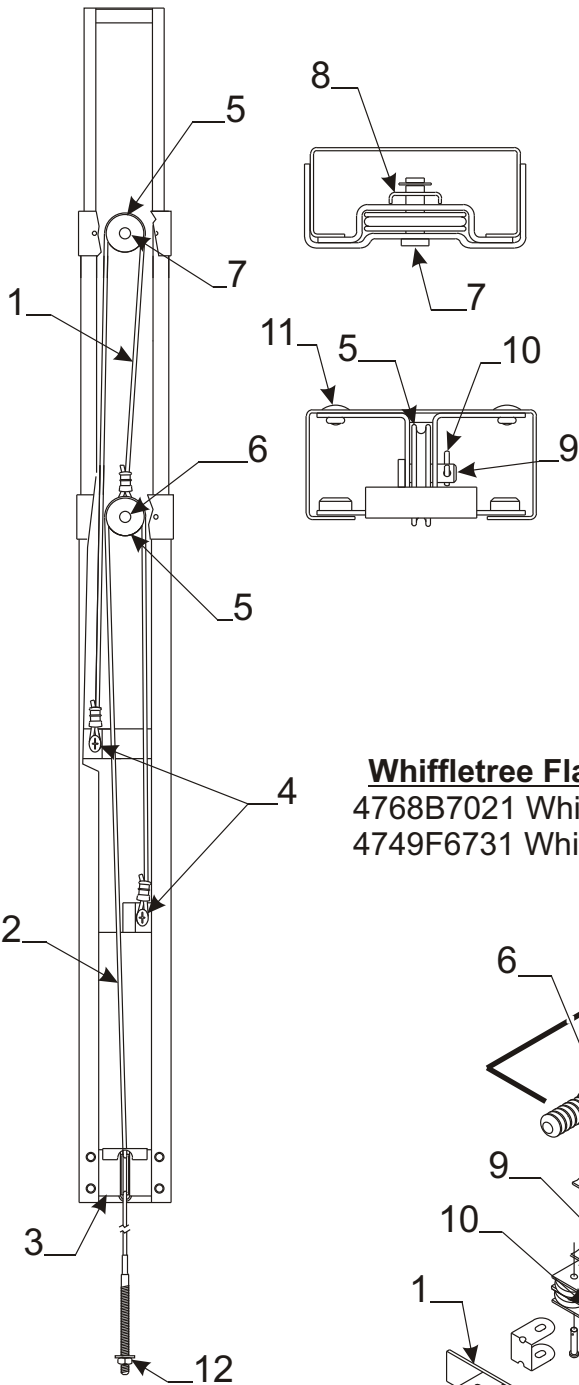
\* 1.50 Flat Rate All Parts Combined

Flat Rate	Crank Up/Crank Down Component Parts Code	Part #	Description
	1	4756-8321	bearing housing plate
1.50	2	4756-8301	bushing 1 13/16"
1.50	3	4720C2421	thrust bearing
*	4	4750A9251	bearing housing
*		4738A0898	hex bolt x4
*	5	4751A3701	drive shaft & nut
*	6	4751-3561	pressure plate
*	7	4751-4831	ratchet wheel
*	8	4751-3581	pressure washer
*	9	4751A3591	shaft bushing
*	10	4751B3691	crank housing
		4731-3878	hex head bolt x4
		1201B6038	lock nut x4
*	11	4751-3721	housing cover plate
		1203-8641	rivet m25
.75	12	4716A1741	drive hub ext. pkg.
		<b>Note: pkg. Includes parts marked w/* asterisk</b>	
	13	*4751B3551	5/8" nut
.50	14	*4752-3921	handle spring x1 m2
.50	15	*4751-4671	nylon washer x1
.10	16	*4747A9451	spiral roll pin x1 m6
.60	17	4716-1221	ratchet pawl pkg.
1.00	18	4744B1301	shear pin x1 m10
1.50	19	4756A8311	spacer bushing
	20	4720F2411	plate "painted"
1.50	21	4756-8441	square spacer
	22	4757-3938	washer x2
	23	4767-008	crank cover "top"



### Flat Rate 1.25

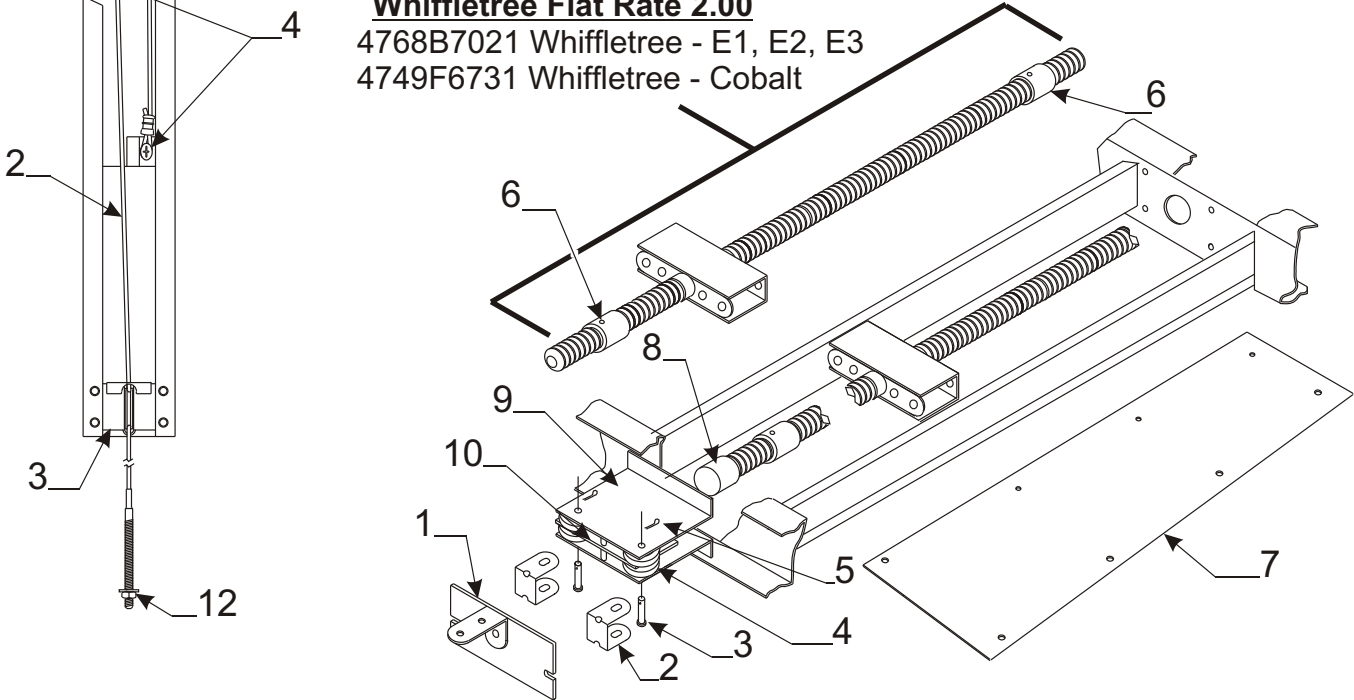
4716A0031 lift assy. roadside rear/curbside front - E1, E2, E3  
 4716A0041 lift assy. roadside front/curbside rear - E1, E2, E3  
 4716-0051 lift assy. roadside rear/curbside front - Cobalt  
 4716-0061 lift assy. roadside front/curbside rear - Cobalt



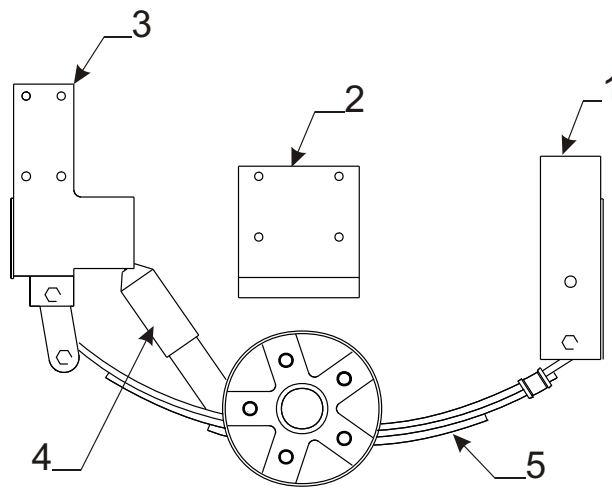
Flat Rate	Code	Part #	Description
.75	1	4720D5271	cable assy. x1 m2
		4720C1691	cable crimp m20
1.25	2	4773A2291	225 3/4" long cable & crimp
		4744-1318	copper cable crimp m10
1.25	3	4731C5801	butterfly bracket assy.
.05	4	4749-2081	screw m6
.50	5	4715A5371	steel pulley & bearing m10
.25	6	4747-8931	long pin x2
		4730B0981	retaining ring m12
.25	7	4749-4061	short pin m4
		4730B0981	retaining ring m12
.25	8	4749A2028	retaining clip
.45	9	4720C1578	lift pin m4
	10	1204B1081	cotter pin m10
	11	1203-8641	rivet m25
	12	1201B6378	1/4" lock nut
		1202E0408	washer

### Whiffletree Flat Rate 2.00

4768B7021 Whiffletree - E1, E2, E3  
 4749F6731 Whiffletree - Cobalt



Flat Rate	Code	Part #	Description	Flat Rate	Code	Part #	Description
.15	1	4749A821	mud flap & brkt.	.25	7	4752B4921	whiffletree pan cover
.50	2	4744B1741	cable retainer x2			4755-4611	tek screw m25 (fasten pan in place)
.20	3	4720J1561	long pin m4	2.00	8	4730D1291	screw socket (welded)
.50	4	4715A5371	pulley & bearing m10	2.00	9	4720-1551	pulley plate
.10	5	1204B1081	cotter pin m10	.50	10	4715D5661	pulley spacer
1.60	6	4773-8808	bushing 2 1/4"				
1.60		4710C424	bushing 3/4"				
		4744B1301	shear pin m10				

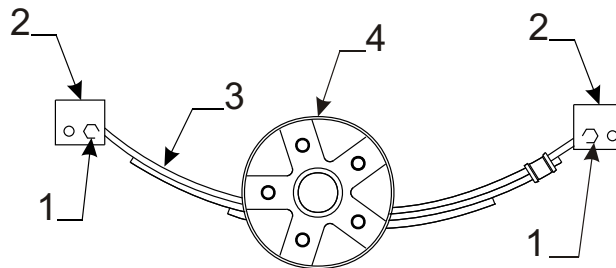


4701-0411 3500 lb. Brake Axle Assy - 10" hubs (Complete) - E1, E2, E3 - F.R. 1.25

**NOTE: Refer to Dexter Axle for required part (s) phone - 219/295-1900**

Flat Rate	Undercarriage Components		
	Code	Part #	Description
*	1	4701-502	frt. hanger brkt.
.25	2	4701-504	axle stop brkt.
*	3	4701-506	rear hanger assy.
.25	4	4701A0261	shock kit
.75	5	Must order through Dexter Axle	

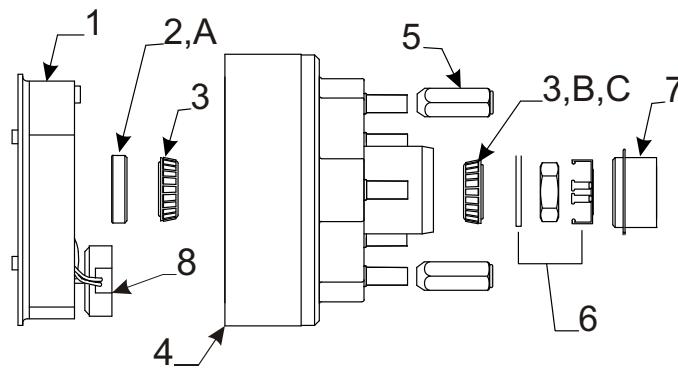
\* Prior Authorization Needed from Factory



F.R. 1.25

4701B2881 2200 lb. Brake Axle Assy - 7" hubs (Complete) - 4228 Cobalt

Flat Rate	Axle & Spring Components - 4228 Cobalt		
	Code	Part #	Description
.25	1	4737A1318	shackle bolt
		4741-9498	shackle bolt nut
2.00	2	4741A3398	spring shackle
.75	3	4735D2201	leaf spring (3 ply)
	4	4716A1071	7" hub & drum



Flat Rate .50 Per Side

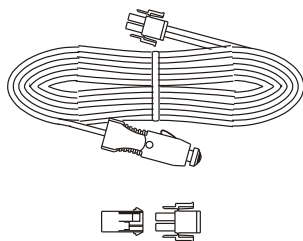
**Electric Brake Pkg. 7" x 1 1/4" (4714H2011) - 4228 Cobalt**  
**Electric Brake Pkg. 10" x 2 1/4" (4714J2011) - E1, E2, E3**

FR	Code	Part #	Description
.50	1	4733A3521	7" brake assembly (right hand)
.50		4733A3531	7" brake assembly (left hand)
.50		4716-6251	10" brake assembly (right hand)
.50		4716-6261	10" brake assembly (left hand)
.50	2	4714A2201	7" grease seal x1 m4
.50		4716-1441	10" grease seal x1 m4
.50	3	4716-1101	7" bearing, race & seal pkg.
.50		4716-1451	10" bearing, race & seal pkg.
.30	4	4716A1071	7" hub & drum x2
.30		4716-1431	10" hub & drum x2
.05	5	4772A3601	lug nuts "ss" m5 - E1, E2, E3
.05		4747A9528	lug nuts x5 - Cobalt
.10	6	4714A3061	retainer package
.05	7	4714C0621	EZ lube grease cap m4
.40	8	47136-2881	10" magnet, spring & clip pkg.

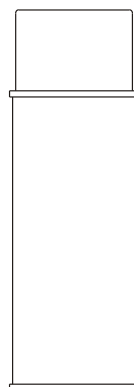
**Crossover Numbers To Purchase Locally**

- A** 13194TM or 198138SP21 Grease Seal (7" hub)  
171255VB Grease Seal (10" hub)
- B** L44649 Bearing (7" hub x2/ 10" hub x1 "outer")  
L68149 Bearing (large inner x1 10" hub only)
- C** L44610 Race (7" hub x2/10" hub x1 "outer")  
L68111 Race (large inner x1 10" hub)

4733D6701 auto extension



4716A4701 12 volt cap & plug m2



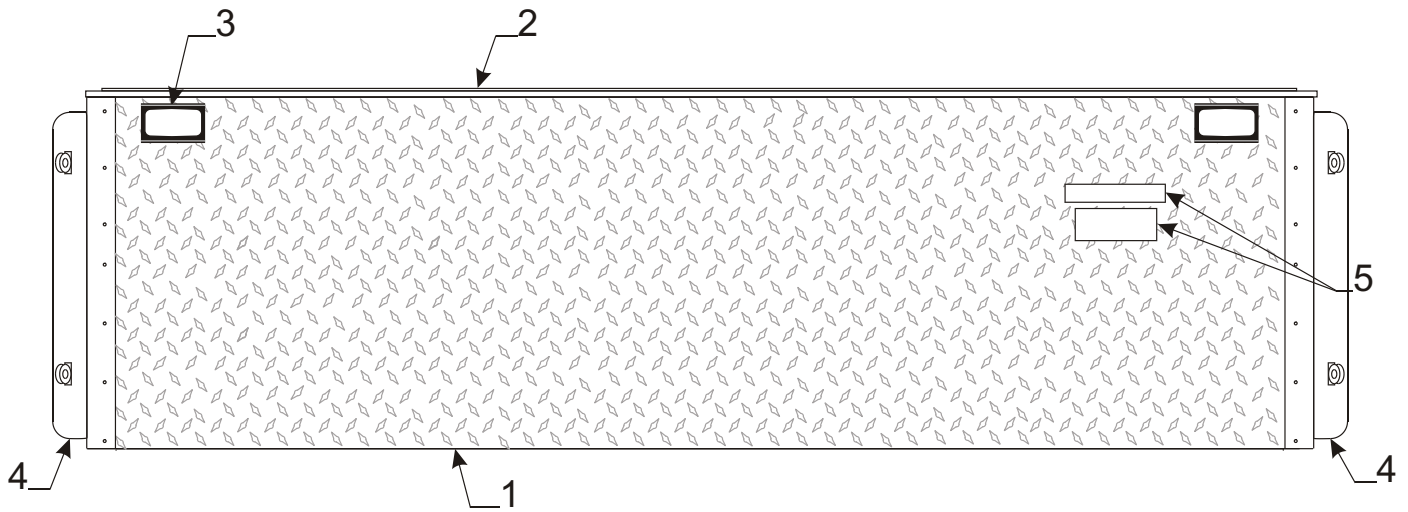
16 oz. spray



4757-9298  
Black Silicon Caulking

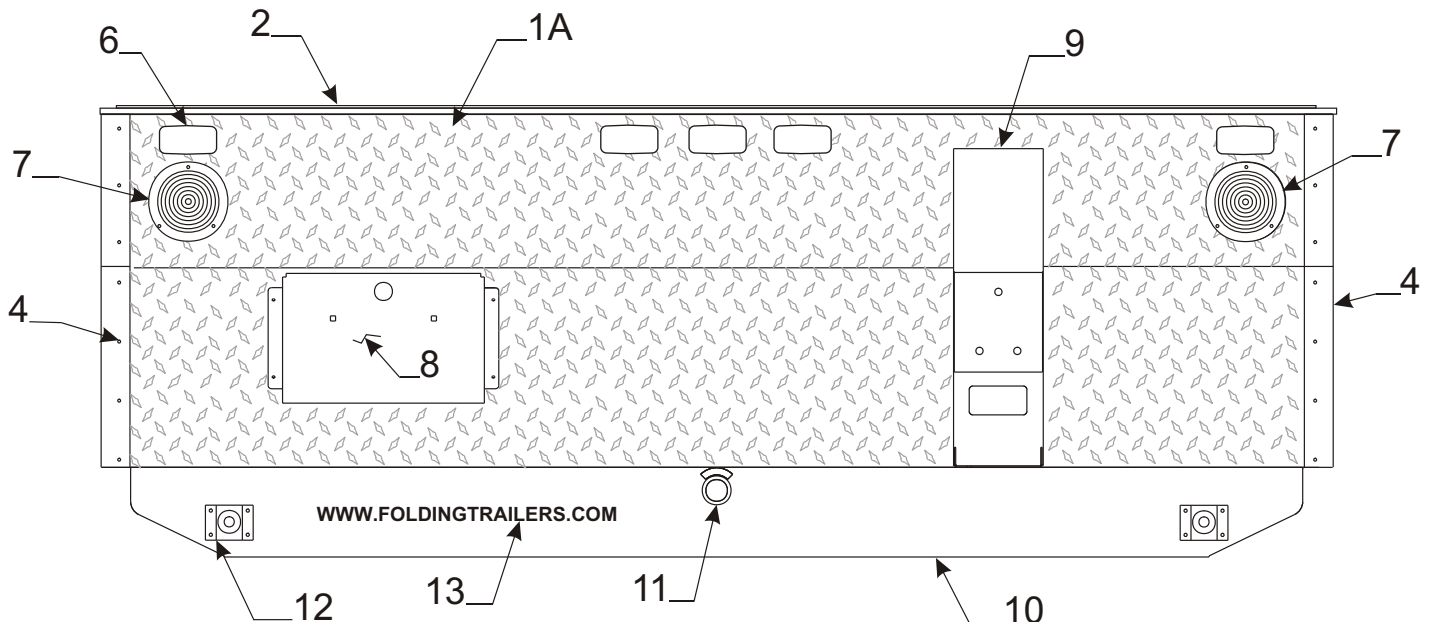
4768-3058  
Caulking "Black"

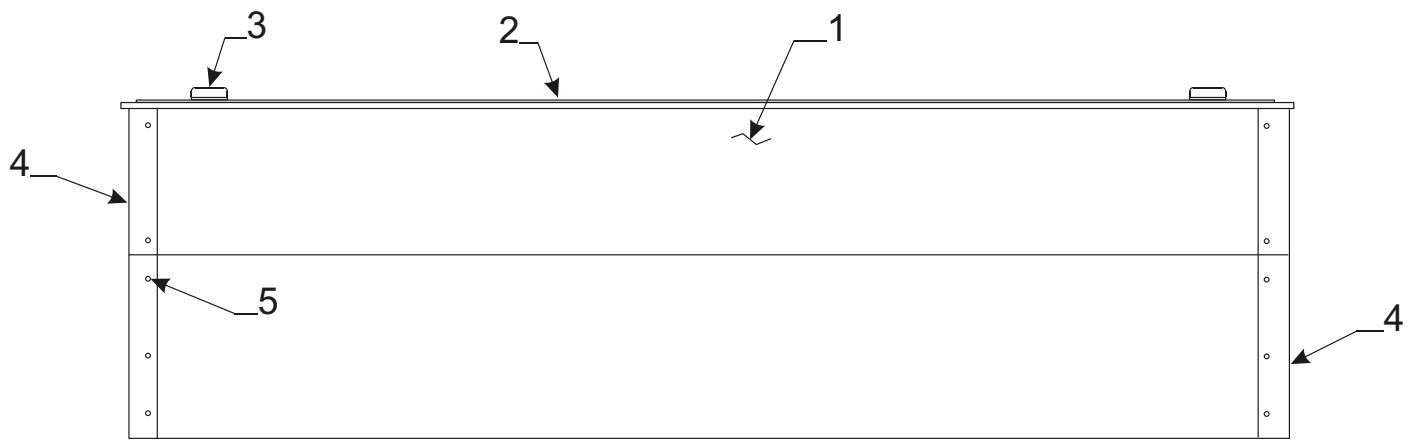
- 0008-2571 black (tongue paint)
- 0008-2641 black textured (frame paint)
- 4713-0101 yellow textured (body panel paint)
- 0008-2691 grey textured (body panel paint)



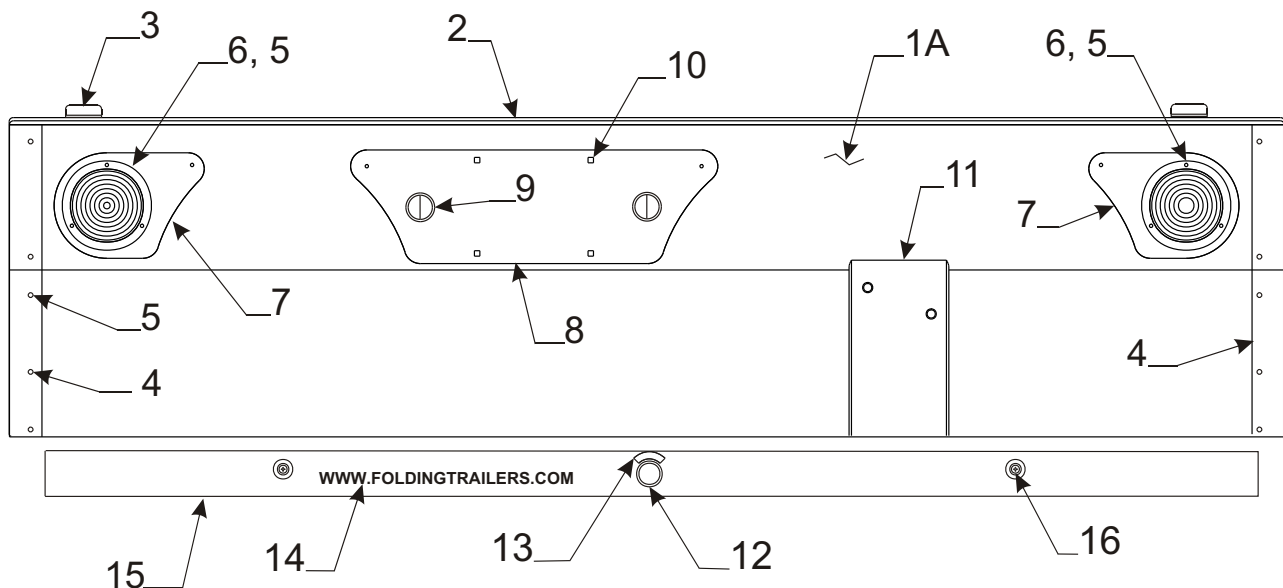
**Front & Rear Body Panel Components - E1, E2, E3**

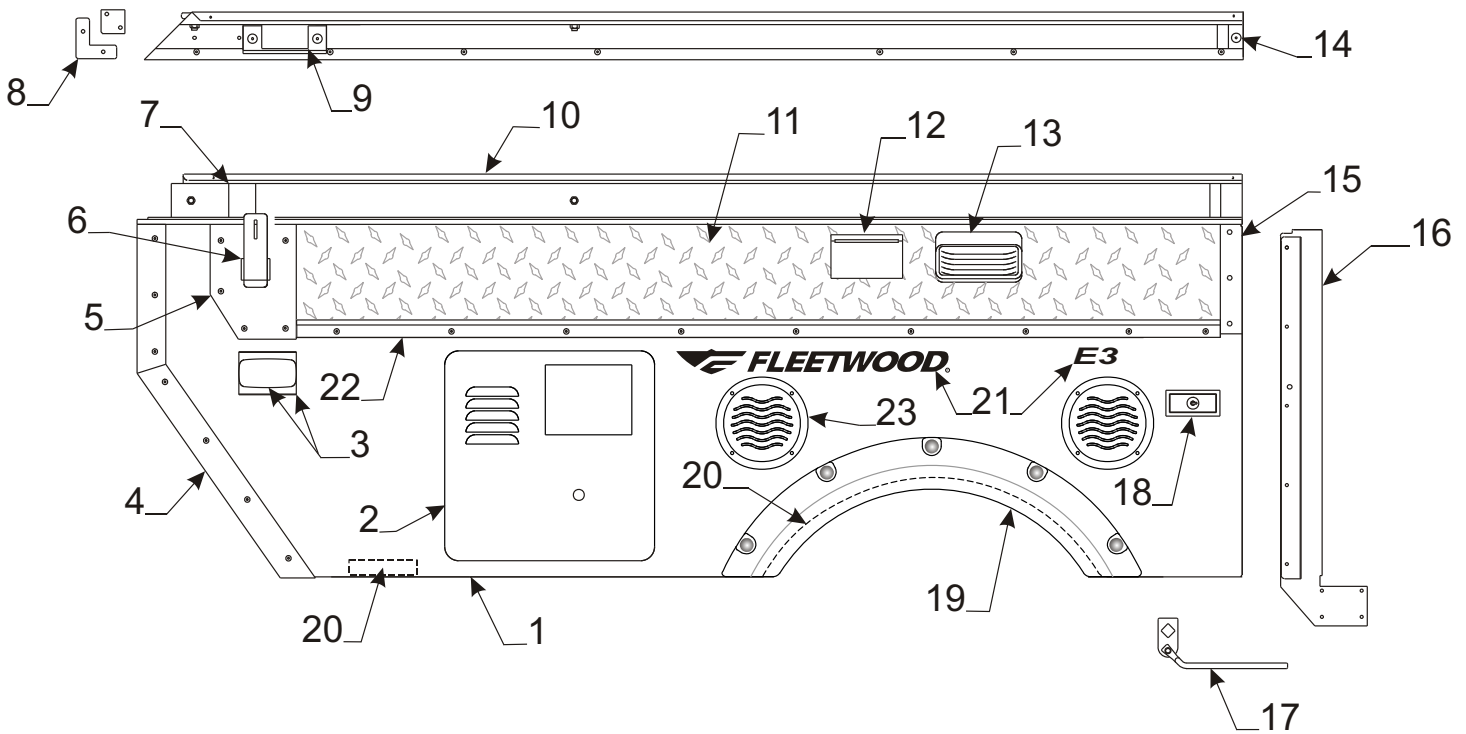
FR	Code	Part #	Description	Flat Rate	Code	Part #	Description
2.00	1	4701A0571	front body pnl. - E1	.15	6	4714J08581	red marker light
1.50		4702C0011	front body pnl. - E2, E3	.10		4716A4561	red lens (lens only)
2.50	1A	4701A0591	rear body pnl. - E1, E2, E3	.20	7	4701A0601	taillight w/gasket x2
.75	2	4754D8681	front end rail	.20		4701-1681	taillight gasket
.75		4759C1951	rear end rail	.20	8	4733G0601	rivet "black" m25
		1203-8651	rivet x5 m25	.20		4701-0981	license plate holder
.15	3	4714J08481	amber marker light			4733G0601	rivet "black" m25
.10		4716A4571	amber lens (lens only)	.15		4739B4311	tag light
.25		4733H1311	socket & harness	.05		4732-1181	plastic grommet m4
		4747-2558	expansion rivet m25	.05		1121C1618	license plate screw x2
.25		4701-0581	marker light shield	.25	9	4701-5641	spare tire mount
		4701-1728	shield gasket	.05		4772A3601	lug nut m5
.30	4	4701A0961	trim (csr E1) (csr E2, E3)			4701-177	1/2" - 20 x 1 3/4 bolt x3
.30		4701A0971	trim (rsr E1) (rsr E2, E3)			4701-176	1/2" - 20 lock nut x3
.30		4701-9721	corner trim csf/rsf - E1	.30	10	4701A0881	bumper E1, E2, E3
.30		4702-5241	corner angle assy. csf E2, E3	.10	11	4733-2741	2" snap bushing
.30		4702-5251	corner angle assy. rsf E2, E3	.10		4730H3188	"open" decal
		4733G0601	rivet "black" m25	.10	12	4716-0671	bed leg pin pkg.
		4758-9921	tek screw "black" m12	.10	13	4767-0888	www.com decal
.05	5	4759-8488	lp gas decal				
.05		4730K213C8	gas piping decal				





Flat Rate	Frnt./Rear Body Pnl. Code	Part #	Description
1.50	1	4747J5431	front body panel
2.50	1A	4747K46461	rear body panel
.75	2	4747F0791	frt./rear end rail
		1203-8651	rivet m25
.25	3	4749A4731	bed stop angle
		1203C8751	steel rivet m25
.30	4	4701-8101	body corner trim csf/rsr
.30		4701-8111	body corner trim rsf/csr
	5	4701-2531	rivet "black" m25
.20	6	4701A0601	taillight w/rivets
.25	7	4701A9151	taillight backer "black"
.25	8	4701-9131	license plate backer "black"
.15	9	4739B4311	tag light x2
.05	10	4732-1181	plastic grommet m4
.25	11	4701A6811	spare tire mount
		4772A4101	mounting bolts x2
.10	12	4733-2741	2" snap bushing
.10	13	4730H3188	"open" decal
.10	14	4767-0888	www.com decal
.30	15	4701-8151	bumper
.25	16	1032B24248	bolt x2
		1202B0468	washer x6 m10
		1202B1068	washer x2 m12
		1201B6068	nut x2



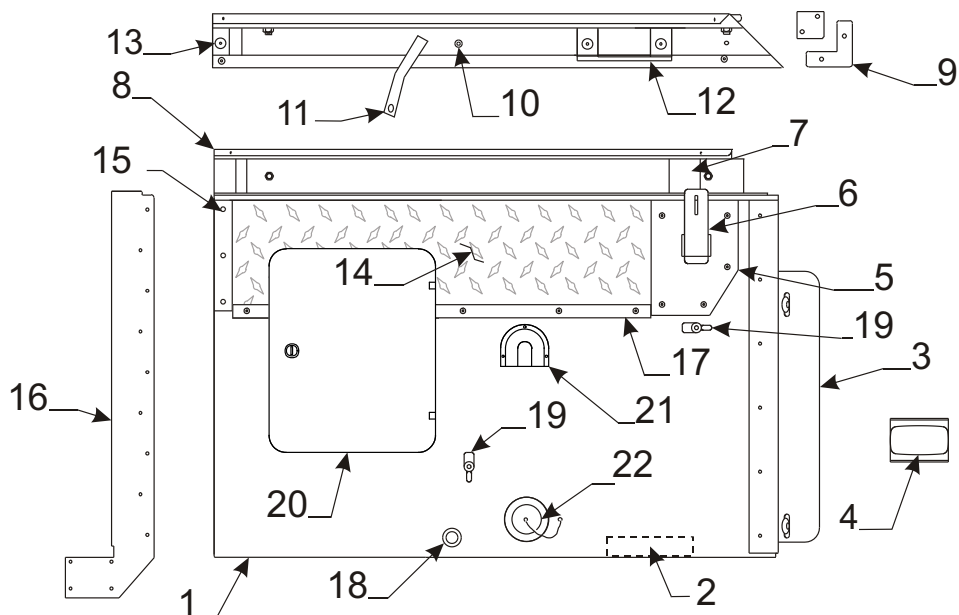


\* Add .50 for water heater

**Curbside Rear Body Pnl. & Components - E1, E2, E3**

Flat Rate	Code	Part #	Description	Flat Rate	Code	Part #	Description
*1.50	1	4701G061Y1	csr body panel "yellow" E1	.75	11	4702-1371	csr diamond plate (all) (must cut to size)
*1.50		4701G061S1	csr body panel "silver" E1				
*1.50		4702D023Y1	csr body panel "yellow" E2	.25	12	4701-1091	duplex outlet & cover
*1.50		4702D023S1	csr body panel "silver" E2	.35		4746-3871	duplex box
*1.50		4702B174Y1	csr body panel "yellow" E3	.25	13	4701-0631	porch light & gasket
*1.50		4702B174S1	csr body panel "silver" E3	.10		4716-5511	porch light lens "amber"
.25	2	4701-2391	water heater door		14	1203-8831	rivet m25
.15	3	4714J08581	red marker light	.15	15	4701A0691	doorway trim
.10		4716A4561	red lens (lens only)	1.25	16	4701A5191	door bulkhead csr
.25		4701-0581	marker light shield	1.00	17	4754-1691	latch, strike & lever
.15		4701-1728	shield gasket	1.00	18	4730C3111	lock handle (with key)
.30	4	4701A0961	csr corner trim	.25	19	4701A0461	wheel well trim
		4733G0601	rivet "black" m25	.05		4739F2901	chrome snap cap m12
		4758-9921	tek screw "black" m12		20	4060000689P	bulb seal "black" (6' pc.)
.25	5	4701A0701	top latch plate	.25	21	4701-2628	Fleetwood decal
		4733G0601	rivet "black" m25	.25		4701-4788	E1 name decal - 4247
.15	6	4701-0951	top latch	.25		4701-4808	E2 name decal - 4244
		4741A9101	hex head tek screw m10	.25		4701-4798	E3 name decal - 4237
.10	7	4716-2771	vel-stick body rail pkg.	.30	22	4702-1381	stove support rail 73 11/16" (must cut to size)
.15	8	4716-7061	miter cover pkg. M4		23	4702-2051	outside speaker x2 "black"
.25	9	4734F4121	lift trim pkg. m4	.15			
		4733-3398	nylon flange bushing x2				
1.00	10	4701-0621	csr body rail - E1				
1.00		4702A0241	csr body rail - E2				
1.00		4702-1361	csr body rail - E3				

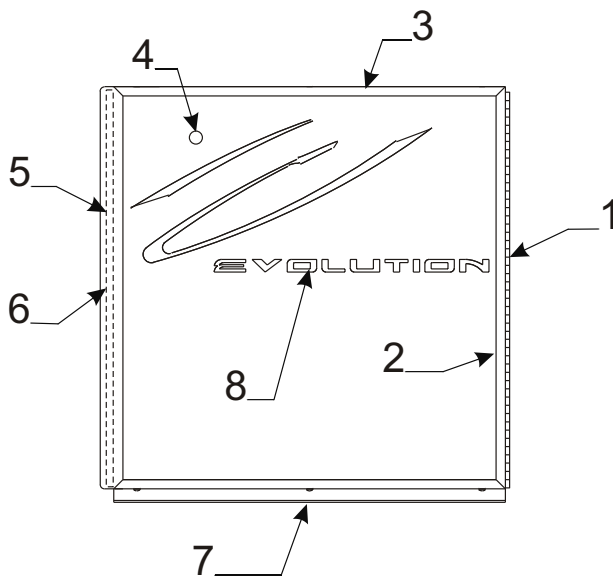




**CS Front Body Pnl. & Components - E1, E2, E3**

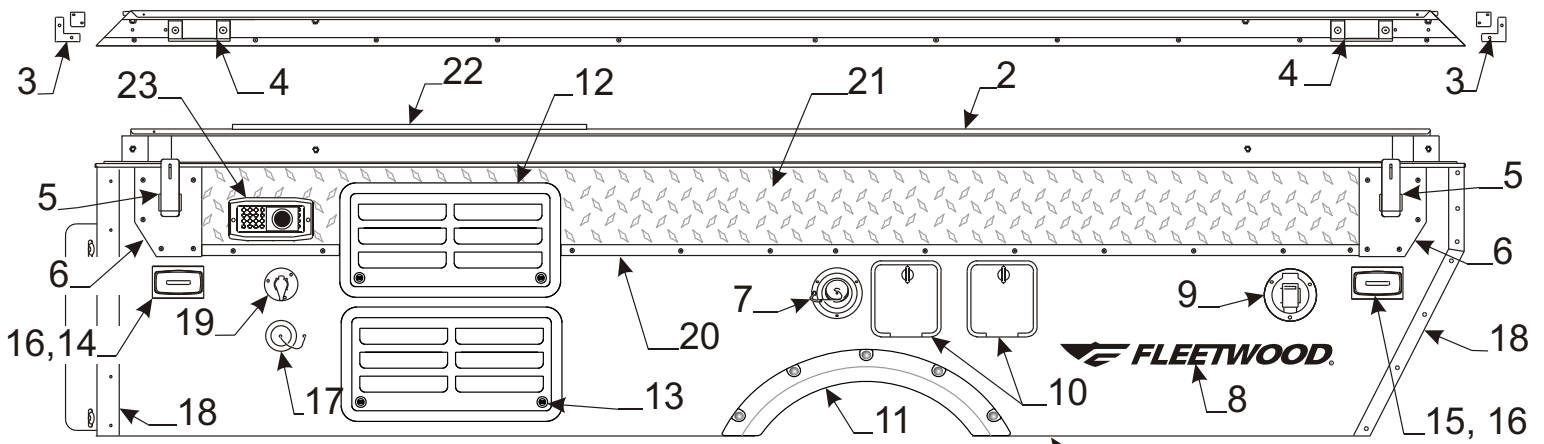
FR	Code	Part #	Description
1.00	1	4701A084Y1	csf body panel yellow - E1
1.00		4701A084S1	csf body panel silver - E1
1.00		4701-975Y1	csf body panel yellow - E2
1.00		4701-975S1	csf body panel silver - E2
1.00		4702A173Y1	csf body panel yellow - E3
1.00		4702A173S1	csf body panel silver - E3
	2	4060050008P	foam tape pkg.(12' pc.)
.30	3	4701-9721	csf corner trim - E1
.30		4702-5241	corner assy. csf - E2, E3
		4733G0601	rivet "black" m25
		4758-9921	tek screw "black" m12
.15	4	4714J08481	amber marker light
.10		4716A4571	amber lens (lens only)
.25		4701-0581	marker light shield
.15		4701-1728	shield gasket
.25	5	4701A0791	top latch plate
		4733G0601	rivet "black" m25
.15	6	4701-0951	top latch
		4741A9101	hex head tek screw m10
.10	7	4716-2771	vel-stick body rail pkg.
1.00	8	4701-0861	csf body rail - E1
1.00		4701-9731	csf body rail - E2
1.00		4702-1391	csf body rail - E3
.15	9	4716-7061	miter cover pkg. m4
.05	10	4730A3548	stud & screw
.10	11	4701A5251	door strap
		4758-8001	rivet m25
.25	12	4734F4121	lift trim pkg. m4
		4733-3398	nylon flange bushing x2
	13	1203-8831	rivet m25
.60	14	4701-9771	diamond plate - E1, E2
.60		4702A1401	diamond plate - E3
.15	15	4701A0691	doorway trim
1.25	16	4701A5201	door bulkhead csf
.15	17	4701-9741	trim
		4733G0601	rivet "black" m25
.10	18	4701-1851	rubber door stop
.15	19	4702-0321	turn latch & rivet "black"
1.00	20	4702-5521	potty door "black" - E3
.15	21	4702-0261	vent cover "black" - E3
.10	22	4701-1881	drain cap & strap - E3



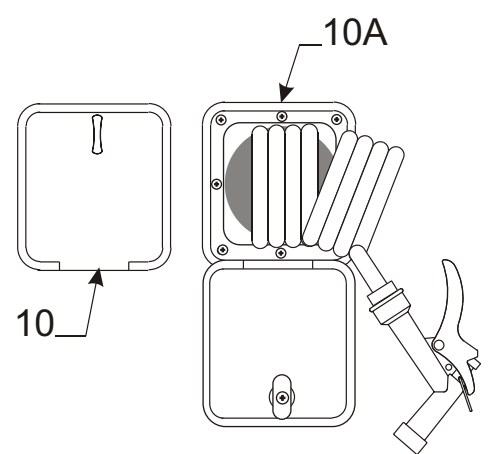


4701-527Y1 Access Door Assy. "Yellow" - E1, E2, E3  
 4701-527S1 Access Door Assy. "Silver" - E1, E2, E3  
 Flat Rate .50

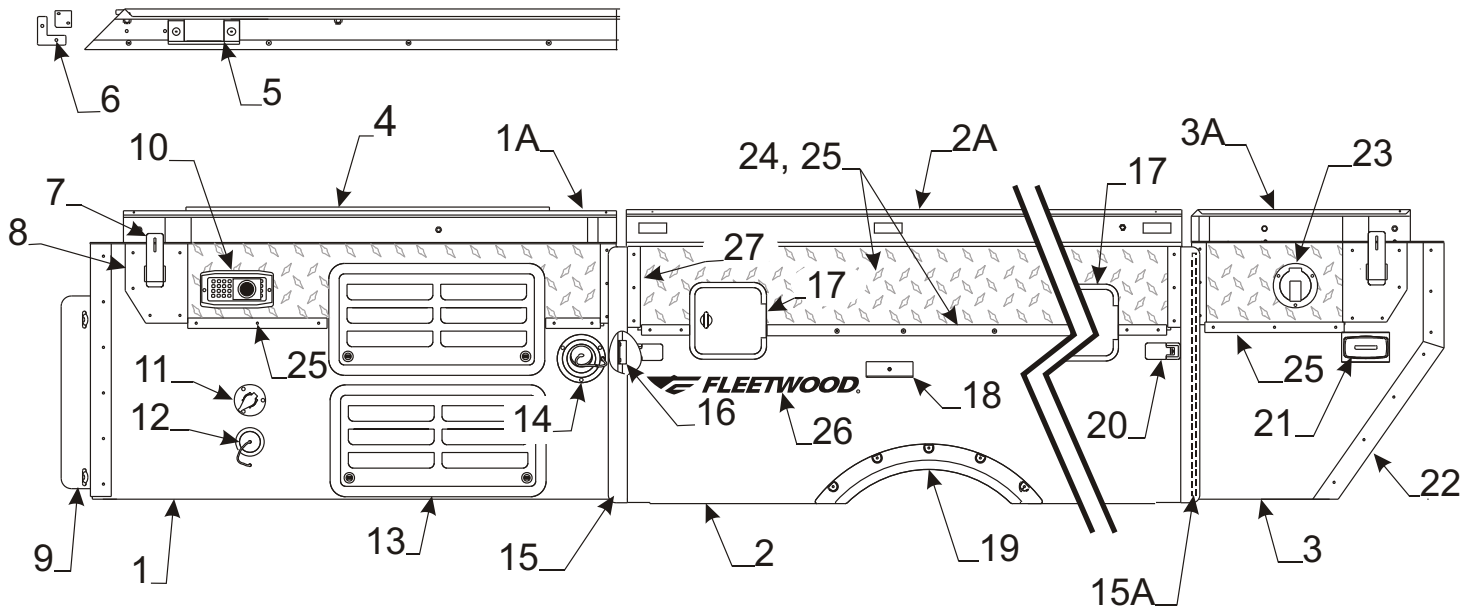
Flat Rate	Code	Part #	Description
.25	1	4701A0851	door hinge
.35	2	4701-0901	door frame
.25	3	4701-0891	door cap
.05	4	4730A3548	stud & screw
.20	5	4060000402P	d-seal pkg. "black" (5' pc.)
.25	6	4701-0911	door frame
		4716-081	screw x2
.25	7	4701-0921	bottom trim
		4745-3968	screw x2
.25	8	4701B1758	Evolution decal



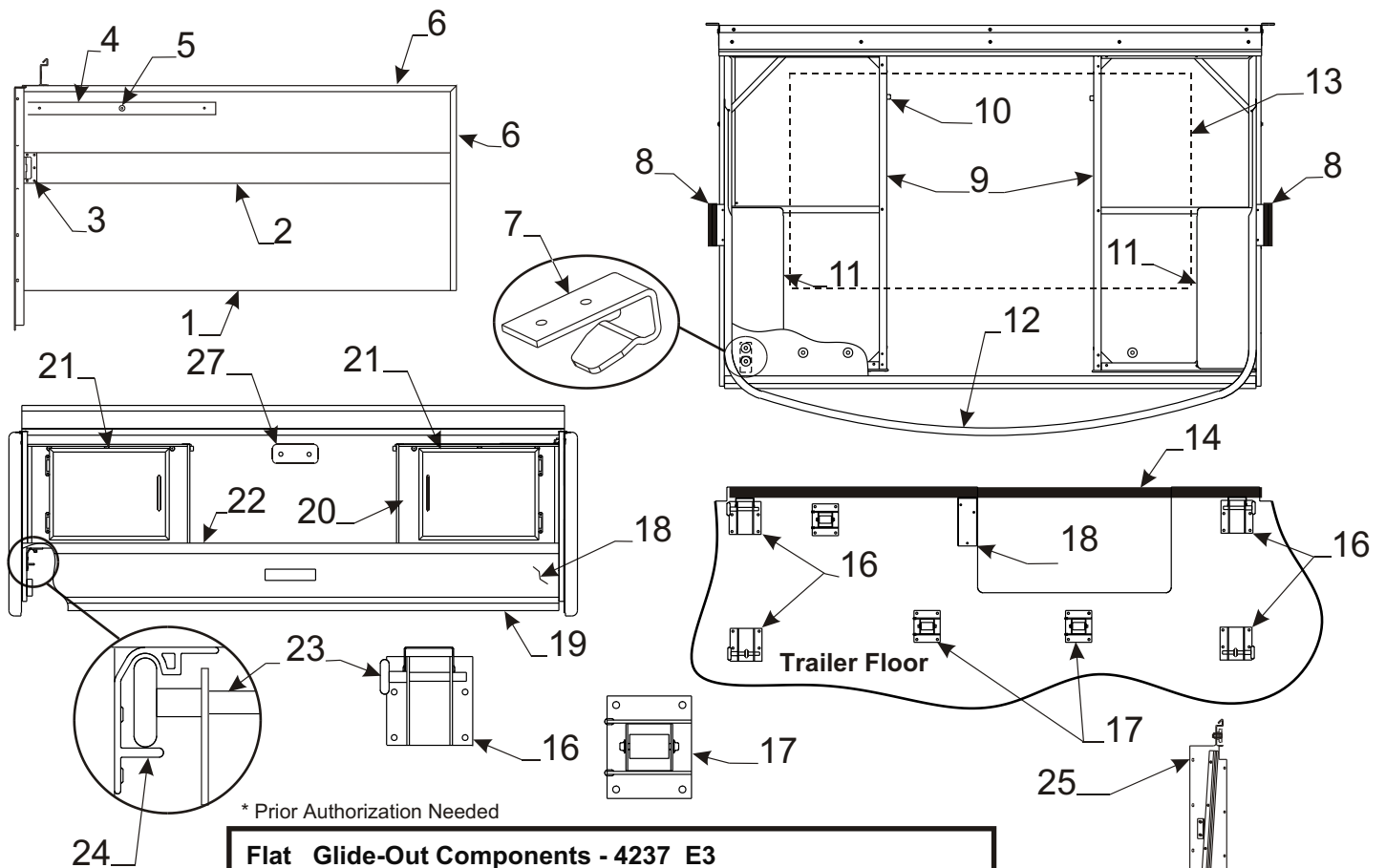
Flat Rate	Roadside Code	Part #	Description
*2.75	1	4701B075Y1	left side body pnl. "yellow" - E1
*2.75		4701B075S1	left side body pnl. "silver" - E1
*2.75		4701A986Y1	left side body pnl. "yellow" - E2
*2.75		4701A986S1	left side body pnl. "silver" - E2
3.00	2	4702-2751	left side body rail - E1
3.00		4701A9821	left side body rail - E2
.10		4716-2771	vel-stick body rail pkg.
		4757-0731	wire grommet & nut
.15	3	4716-7061	inner/outer miter cover pkg. m4
.25	4	4734C4121	lift trim, rivets & gasket pkg. m4
.15	5	4701-0951	top latch
		4749-4848	foam pad
.25	6	4701A0701	top latch plate rsf
.25		4701A0791	top latch plate rsr
.30	7	4701-0771	water tank spout
		4741-3508	hex head tek screw x3
.25	8	4701-2628	Fleetwood decal
.15	9	4701-0761	cable hatch
.30	10	4701-2401	faucet & hatch assy.
.30	10A	4701-2411	hose storage container
.15		4701-2421	coiled hose & nozzle
.25	11	4701A0461	wheel well trim
		4739F2901	chrome snap cap m12
		4060050008P	1/2" x 1" foam tape pkg. (12' pc.)
.50	12	4701-2321	refrigerator vent "black" x2
.10	13	4716-4441	reefer vent clasp m4
.15	14	4714J08481	amber marker light x4
.10		4716A4571	amber lens (lens only)
.25		4733H1311	socket & harness
		4747-2558	expansion rivet m25
.15	15	4714J08581	red marker light
.10		4716A4561	red lens (lens only)
.25	16	4701-0581	marker light shield
.15		4701-1728	shield gasket
.10	17	4701-1881	drain cap & strap
.30	18	4701A0961	corner trim (csr E1) (csr E2)
.30		4701A0971	corner trim (rsr E1) (rsr E2)
.30		4701-9721	corner trim (csf/rsr E1)
.30		4702-5241	corner angle assy. cs E2
.30		4702-5251	corner angle assy. rs E2
		4758-9921	tek screw "black" m12
.30	19	4701-0781	city fill
.25	20	4701-9831	trim (must cut to size)
		4733G0601	rivet "black" m25
1.00	21	4701A9871	diamond plate (must cut to size)
.25	22	4737B2211	curtain track 35 1/2"
		1203-8678	rivet m25
.10	23	4741C9471	8" furnace vent



\* Add .50 For Heater Vent  
 \* Add 1.00 For Refrigerator

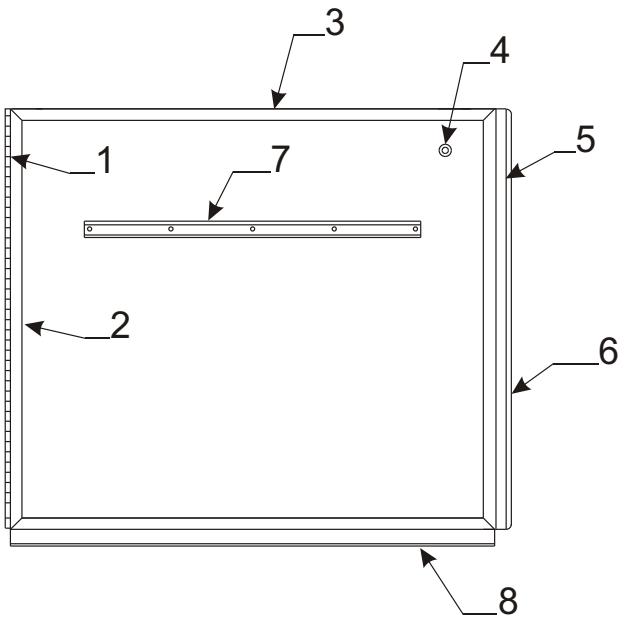


Roadside Body Panel & Components - 4237 E3							
Flat Rate	Code	Part #	Description	Flat Rate	Code	Part #	Description
1.50	1	4702B168Y1	lt. frt body panel "yellow"	.30	14	4701-0771	water tank spout
1.50		4702B168S1	lt. frt body panel "silver"			4741-3508	hex head tek screw x3
3.00	1A	4702A1511	left front body rail	.25	15	4702-1041	glide-out angle seal "front"
.10		4716-2771	vel-stick velcro pkg.	.25		4702-1031	glide-out angle seal "rear"
1.00	2	4702-105Y1	g/o body panel "yellow"	15A	4060000402P		D-seal pkg. "black" (6' pkg.)
1.00		4702-105S1	g/o body panel "silver"	.75	16	4756B4171	strike w/screws
.75	2A	4756A9951	glide-out body rail	.30	17	4701-2401	faucet & hatch assy.
		4758-172	vel-stick velcro 2" x 1 3/4"	.30		4701-2411	hose storage container
1.50	3	4702-171Y1	lt. rear body panel "yellow"			4701-2421	coiled hose & nozzle
1.50		4702-171S1	lt. rear body panel "silver"	.75	18	4756-1181	pull handle
3.00	3A	4702A1501	left rear body rail			4738-2608	tek screw "black"
.10		4716-2771	vel-stick body rail pkg.	.25	19	4701A0461	wheel well trim
		4757-0731	wire grommet & nut	.05		4739F2901	chrome snap cap m12
.25	4	4737B2211	curtain track 35 1/2"	.75	20	4755-4091	latch & gasket
		1203-8678	rivet m25	.15	21	4714J08581	red marker light
.25	5	4734C4121	lift trim pkg. m4	.10		4716A4561	red lens (lens only)
.15	6	4716-7061	miter cover pkg. m4	.25		4701-0581	marker light shield
.15	7	4701-0951	top latch	.15		4701-1728	shield gasket
		4701-1738	foam pad	.30	22	4701A0971	rsr corner trim
.25	8	4701A0701	top latch plate rsf	.15	23	4701-0761	cable hatch
.25		4701A0791	top latch plate rsr	1.00	24	4701A9871	diamond plate
.30	9	4702-5251	corner angle assy. rsf				(must cut to size)
.10	10	4741C9471	8" furnace vent	.25	25	4701-9831	trim (must cut to size)
.30	11	4701-0781	city fill			4733G0601	rivet "black" m25
.10	12	4701-1881	drain cap & strap	.25	26	4701-2628	Fleetwood decal
.50	13	4701-2321	refrigerator vent "black" x2	.15	27	4701A0691	end trim
.10		4716-4441	reefer vent clasp m4				



\* Prior Authorization Needed

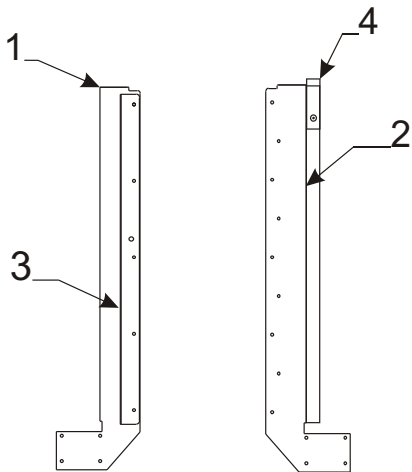
Flat Rate	Code	Part #	Description
*	1	4702-5101	g/o side panel "rear"
*		4702-5111	g/o side panel "front"
.50	2	4702-2021	ABS ware strip "black" x2
.15	3	4756D2161	lock boot w/cover plate x2
.25	4	4754-3811	vel-stick (must cut to size)
	5	4730A3548	stud w/screw x2
.20	6	4060056204P	U-channel 48" pc.
.50	7	4756-1201	glide-out catch x2
.10	8	4756A1151	5 1/2" brush seal x2
	9	4702-515	glide-out bench frames x2
.05	10	4724-2608	stop button "plastic"
.40	11	4702-5191	metal flip-up backrest x2
.10	12	4756C2071	glide-out tent bow
1.25	13	3568803202P	ware plate "galvanized" 30x55
1.25	14	4702-549	g/o cover plate assy. "black"
	15	4756A136	cover support brkt. x1
1.25	16	4756C6591	outer tower x4
1.25	17	4756-6651	short tower roller assy. x3
.25	18	4702-5511	wood kick plate assy.
.50	19	4702-1661	1/2" vinyl sweep
.25	20	6010415698P	luan panel "black"
.15	21	4702A1071	door panel 12" x 16"
.50	22	4702-1651	edge cap "black"
	23	4756-1161	glide-out roller x4
	24	4756A1251	glide-out roller track x2
1.65	25	4702-5401	g/o bulkhead left front
1.65		4702-5381	g/o bulkhead left rear
.35	26	4702-1431	front g/o seal track
.35		4702-1421	rear g/o seal track
		4064700589P	sweep seal "black" (8' pc. pkg.)
.15	27	4772-4561	table rest block



Access Door Flat Rate - .50

**4749P6471 Access Door Assy. - 4228 Cobalt**

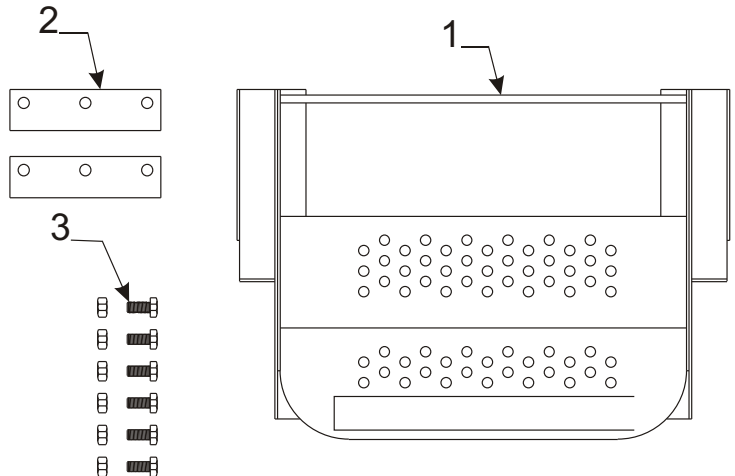
Flat Rate	Access Door Assembly Components	Code	Part #	Description
.25	1	4701-3111	door hinge	
.35	2	4701-3071	door frame side	
.25	3	4701-0891	door cap	
	4	4730A3548	stud & screw	
.20	5	4060000402P	d-seal pkg. (5' pc.)	
.25	6	4701-3081	door frame side	
		4716-081	screw x2	
.25	7	4767-436G1	stove support brkt.	
		1103E1016	screw x5	
.25	8	4701-0921	bottom trim	
		4745-3968	screw x2	

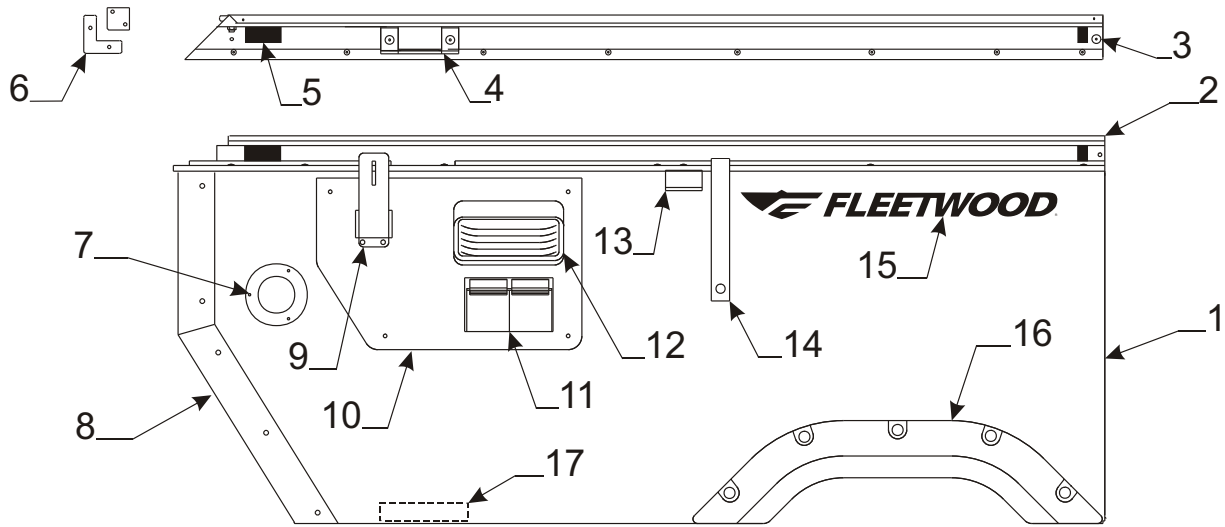


**Flat Rate Door Bulkheads & Components - 4228 Cobalt**

Flat Rate	Code	Part #	Description
1.25	1	4747B0101	csr bulkhead
1.25	2	4747B0091	csf bulkhead
.35	3	4754B2111	door seal angle
.35	3	4749C3881	door seal angle
		4733G0601	rivet m25 "black"
	4	4748B411	bed ramp brkt.

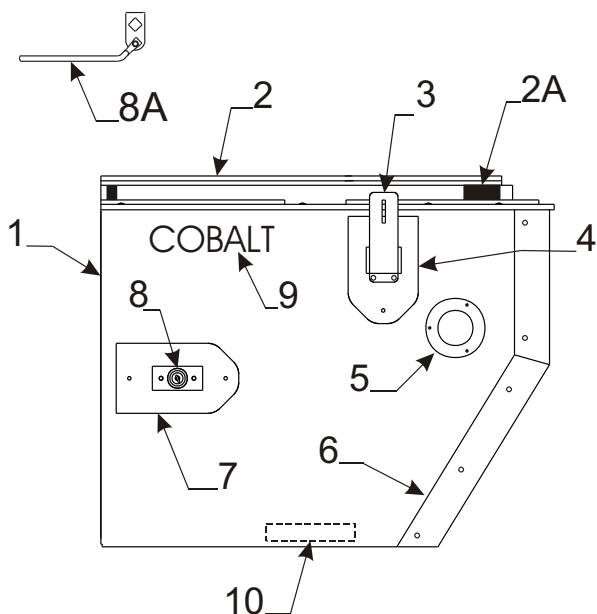
Flat Rate	Step Components - 4228 Cobalt	Code	Part #	Description
.50	1	4701B6821	step	
	2	4750-3361	step shim x2	
	3	1200B3048	bolt x6	
		1201B6068	nut x6	



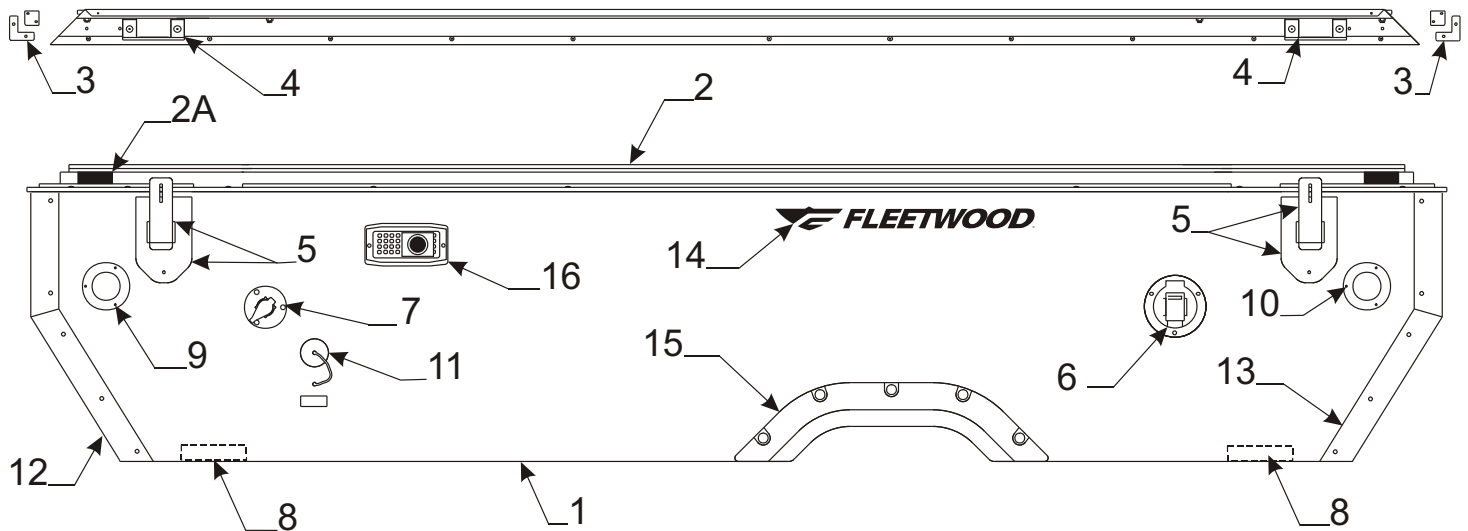


CSR Body Pnl. Components - 4228 Cobalt							
Flat Rate	Code	Part #	Description	FR	Code	Part #	Description
1.25	1	4749F97581	csr body panel	.25	11	4701-1091	duplex cover & outlet
1.00	2	4701-4951	csr body rail	.25	12	4701-0631	porch light
	3	1203-8831	rivet m25	.10		4716-5511	porch light lens "amber"
.25	4	4734C4121	lift trim pkg. m4		13	4701A4941	door stop brkt.
		4733-3398	nylon flange bushing x2			4066500053P	edge molding (8' pc. pkg.)
.10	5	4716-2771	vel-stick body rail pkg.	.10	14	4701-5251	access door strap
.15	6	4716-7061	miter cover pkg. m4			4758-8001	rivet m25
.20	7	4800A1451	red marker light			4733-3398	nylon flange bushing
		4758-9921	screw x3 "black" m12	.05		4730A3548	stud & screw (loc. on rail)
.30	8	4701-8111	body corner trim csr	.25	15	4701-2628	fleetwood logo "black"
		4701-2531	rivet "black" m25	.25	16	4701-9311	wheel well trim "plastic"
.15	9	4701-0951	top latch "black"			1103B1012	screw 3/4"x10
		4749-4848	foam pad	.05		4739F2901	chrome snap cap m12
		4744A0501	hex head tek screw m25		17	4060050008P	1" foam tape (12' pc. pkg.)
.25	10	4701A9121	top latch backer csr				
		4701-2531	rivet "black" m25				

**Note:** Refer above for miter covers and lift trim



CSF Body Pnl. Components - Cobalt			
Flat Rate	Code	Part #	Description
1.00	1	4747E0441	csf body panel
1.00	2	4747C0561	csf body rail
.10	2A	4716-2771	vel-stick body rail pkg.
.15	3	4701-0951	top latch "black"
		4749-4848	foam pad
		4744A0501	hex head tek screw m25
.25	4	4701-9161	top latch backer "black"
		4701-2531	rivet "black" m25
.20	5	4701-9211	amber marker light
		4758-9921	screw x3 "black" m12
.30	6	4701-8101	body corner trim csf
1.10	7	4701-9141	lock handle backer
		4701-2531	rivet "black" m25
1.00	8	4730C3111	lock handle (with key)
1.00	8A	4757-7361	latch, strike & lever
.25	9	4701-8288	Cobalt name decal
	10	4060050008P	1" foam tape (12' pc. pkg.)

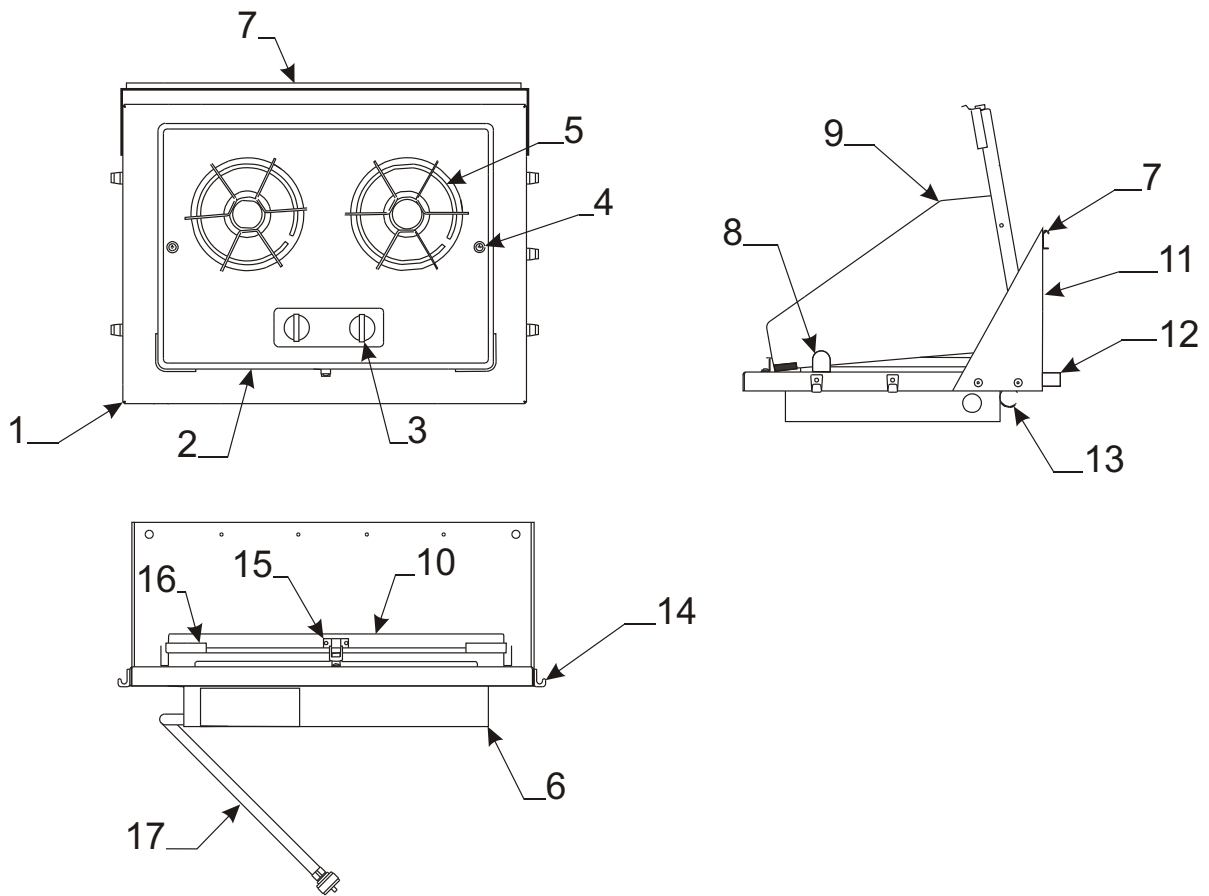


\* Add .50 for heater vent

**RS Left Body Panel & Components - 4228 Cobalt Flat**

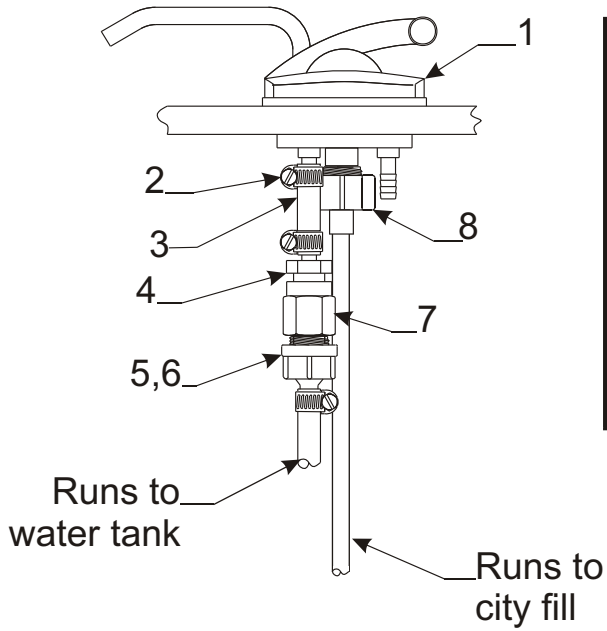
Rate	Code	Part #	Description
*2.00	1	4749E9801	left side body panel
3.00	2	4747C0581	left side body rail
.10	2A	4716-2771	vel-stick body rail pkg.
		4757-0731	wire grommet & nut
.15	3	4716-7061	inner/outer miter cover pkg. m4
.25	4	4734C4121	lift trim, rivets & gasket pkg. m4
.15	5	4701-0951	top latch x2 "black"
		4744A0501	hex head tek screw m25
.25		4701-9161	top latch backer plate
		4701-2531	rivet "black" m25
		4749-4848	foam pad
.15	6	4701-0761	cable hatch
		4701-1698	cable hatch gasket
.30	7	4701-0781	city fill
	8	4060050008P	1/2" x 1" foam tape pkg. (12' pc.)
.20	9	4701-9211	amber marker light
		4758-9921	screw x3 "black" m12
.20	10	4800A1451	red marker light
		4758-9921	screw x3 "black" m12
.10	11	4701-1881	drain cap & strap
.30	12	4701-8111	rsf corner trim
		4701-2531	rivet "black" m25
.30	13	4701-8101	rsr corner trim
		4701-2531	rivet "black" m25
.25	14	4701-2628	fleetwood decal
.25	15	4701-9311	wheel well trim "plastic"
		1103B1012	screw 3/4"
.05		4739F2901	chrome snap cap m12
.10	16	4741C9471	furnace vent 8"



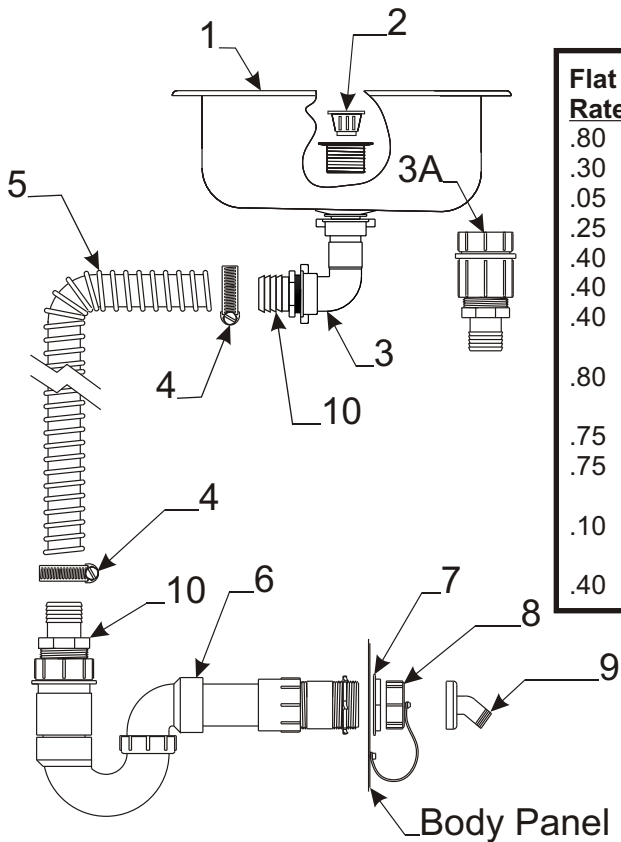


**H. P. Outside Stove Assy. E1, E2, E3 - 4773B5851**  
**Vinyl H. P. Stove Storage Pouch - 4773-5861**

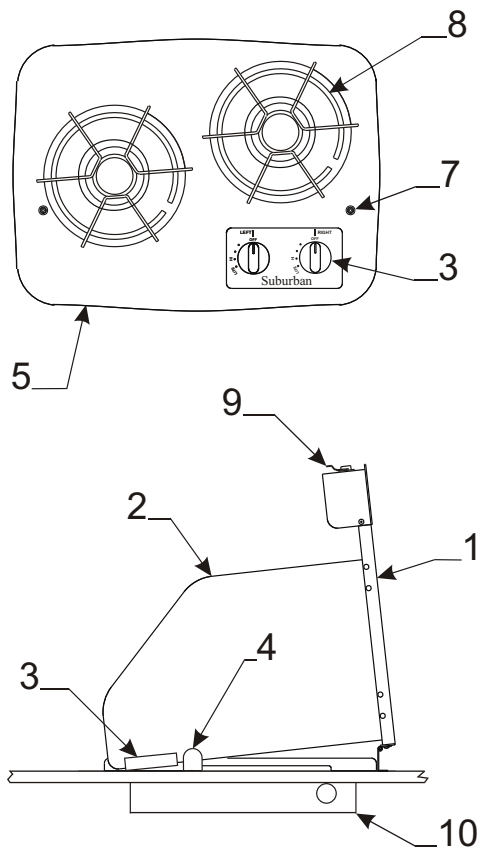
<b>HP Outside Stove Components - E1, E2, E3</b>			
<b>FR</b>	<b>Code</b>	<b>Part #</b>	<b>Description</b>
.60	1	4773A079	stove frame (Vitco)
.60		4773G0791	stove frame (Atwood)
.15	2	4701-1201	2 burner cook top (Vitco)
.15		4713-0671	2 burner cook top (Atwood)
.15	3	4716-2681	stove knob (Vitco)
.15		4713-0681	stove knob m2 (Atwood)
.05	4	4716-2631	screw/washer m2 (Vitco)
.05		4716A0881	screw/washer m6 (Atwood)
.05	5	4752A9881	grate x2
	6	4746D948	stove box (Vitco)
.15		4713-0711	stove box (Atwood)
.25	7	4773-0811	stove hanger bracket
.15	8	4716A2641	fin stay brkt. M2
	9	<b>Note: Item not sold separately</b>	
.15	10	4701-1191	stove cover assy. (Vitco)
.15		4713-0711	stove cover assy. (Atwood)
.15		4742-9538	h.p stove decal
	11	4773A080	stove back brkt.
.10	12	4766-0121	nylon spacer
.15	13	4734-2431	gripper clip m4
.15	14	4720E4021	lashing hook m6
.15	15	4733-4018	latch
.15		4733-4028	latch strike
.05	16	4732A2291	edge molding m2
.25	17	4746A9891	gas hose



Flat Rate	Code	Part #	Description
.40	1	4767-3301	hand pump
		4716-081	screw x4
		4746A5421	pump hold down
	2	4731-3058	adjustable hose clamp
.35	3	4714-038	3/8" h.p. Hose (sold/foot)
.20	4	4732-4561	male adapter
.20	5	4741A9561	barbed adapter
.20	6	1202-5828	rubber washer
.20		4754-4418	round filter screen
.20	7	4741-9551	check valve "brass"
.25	8	4769-1301	48" water line assy.



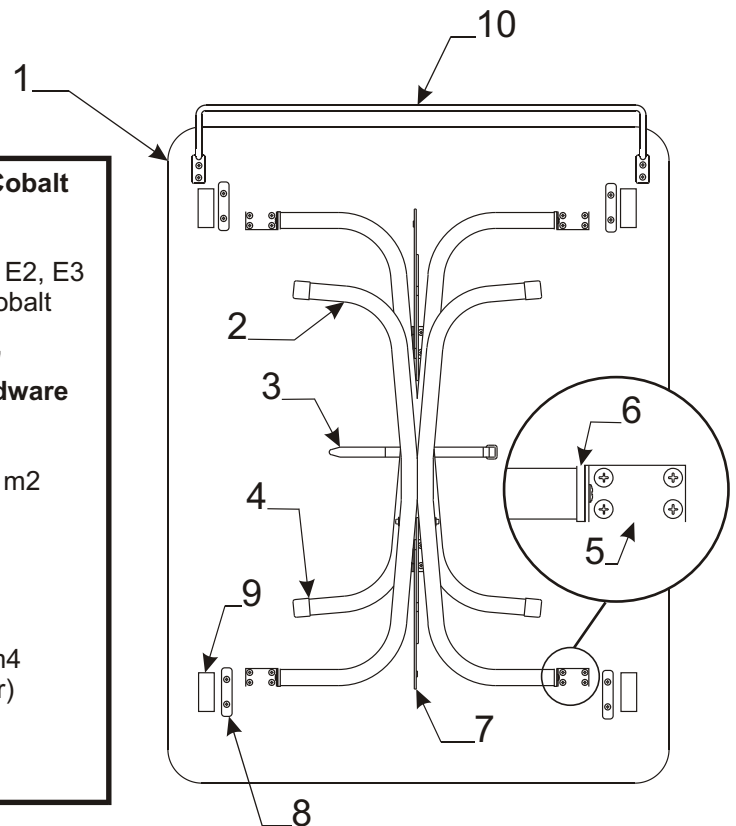
Flat Rate	Code	Part #	Description
.80	1	4768-1831	sink "black acrylic" - E1, E2, E3
.30		4710F0301	sink "stainless steel" - Cobalt
.05	2	4714C0661	crumb cup "only" (wht. threaded)
.25		4730E3151	crumb cup & basket
.40	3	4757-0861	elbow, nut & washer - E1, E2, E3
.40	3	4713-0061	straight adapter pkg. - Cobalt
.40		4757A9131	black rubber washer
.40	4	4715-4501	1 1/4" hose clamp
.80	5	4060012503P	1 1/4" drain hose pkg. (10' pc.)
<b>Note: must cut hose to length</b>			
.75	6	4767C5811	drain trap assy. - E1, E2, E3
.75		4769A6941	drain trap assy. - Cobalt
.10	7	4757-0921	1 1/2" metal nut "white"
.10	8	4714A2861	cap & strap
	9	4737-9138	drain adapter
.40	10	4757A0871	adaptor 1 1/4" barb

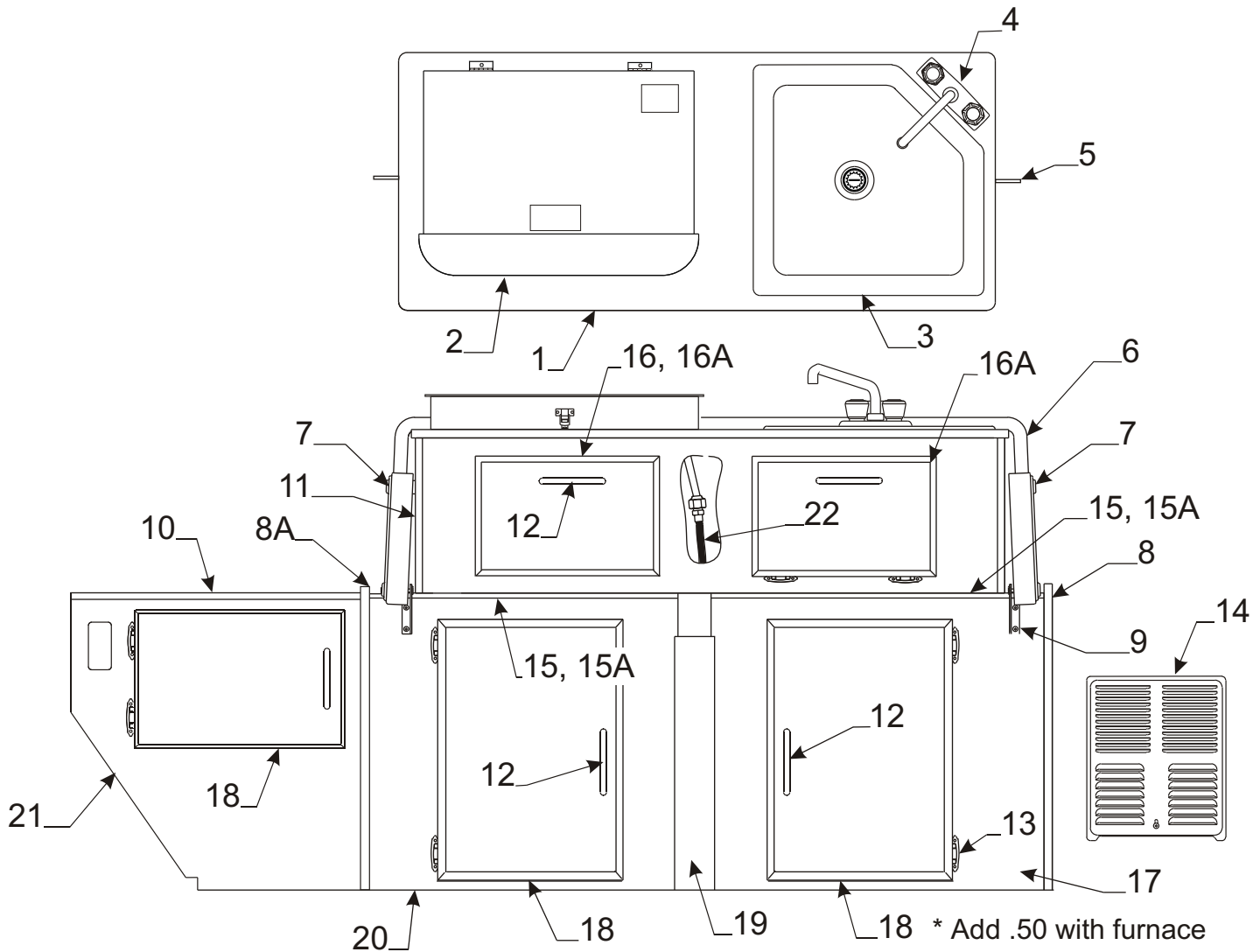


Flat Rate	Code	Part #	Description
.15	1	4701A1191	stove cover assy. "black"
	2	ITEM NOT SOLD SEPARATELY	
.05	3	4732A2291	edge molding m2
.15	4	4716A2641	stove fin stay brkt. m2
.15	5	4701A1201	2 burner cook top "black"
.05	6	4716B1861	knob m3
.05	7	4716A2631	stove top screw/washer m2
.05	8	4752B9881	stove grate x2
.15	9	4733-4018	stove cover latch
.15		4733-4028	stove cover strike
.75	10	4748E2581	2 burner stove box

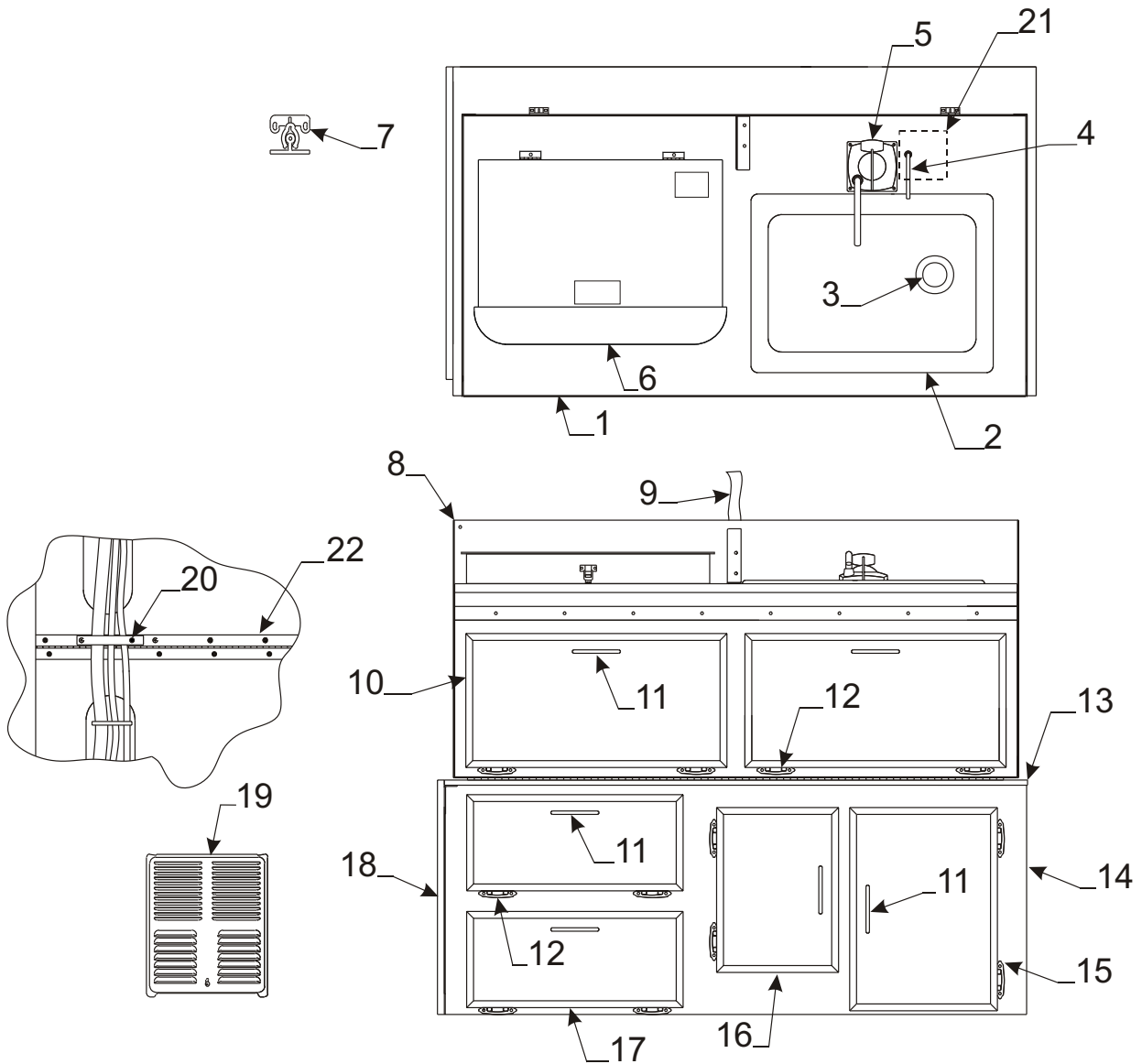
### Dinette Table Assembly Components - E1, E2, E3, Cobalt

FR	Code	Part #	Description
.50	1	4701A2021	table top (30' x 39") - E1, E2, E3
.50		4702-0731	table top (30" x 38.5) - Cobalt
.30		4060475002GP	t-molding pkg. - Cobalt
.50	2	4701A1491	table leg package "silver"
<b>Note: pkg. includes 2 legs &amp; required mounting hardware</b>			
.10	3	4751A9711	strap & screw pkg.
	4	4752-0551	white plastic cap m2
.15	5	4713-0321	table leg mounting brace m2
		1103E1018	5/8" wood screw
.10	6	4752A0561	table leg insert cap m2
		4747-2558	expansion rivet m25
.25	7	4744-6971	lock brace assy. x2
		1103E1018	5/8" wood screw
.15	8	4756-8741	table top plastic spacer m4
		1103B08148	7/8" screw (x2 per spacer)
.05	9	4724D2631	velcro fastener m4
.15	10	4701-93661	towel bar - Cobalt



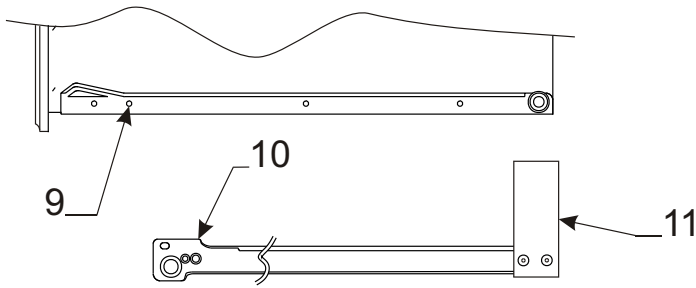


Flat Rate	Upper/Lower Galley	E1, E2, E3	Part #	Description	Flat Rate	Code	Part #	Description
2.00	1		4701B4681	galley top (Vitco stoves)	1.00	10	4701A4851	cabinet top - E2
2.00			4701D4681	galley top (Suburban stoves)	.10		4747-8941	black plastic cap m2
.80	2		<b>Note:</b> refer to page 21 for stove components		.65	11	4064737503P	3/8" f-channel 48" pc.
	3		4768-1831	sink "black acrylic"	.10	12	4755B2681	door pull "pewter"
			<b>Note:</b> refer to page 22 for sink components		.10	13	4739C0511	hinge
1.00	4		4745E2741	mixer faucet	.10	14	4743A3551	furnace grill "black"
.75	5		4752A9271	galley pivot brkt. (lt. & rt.)	.75	15	4713-1451	universal lower galley top
			4744H4601	rivet m25	.20		4746C0971	kill switch m4
1.00	6		4702-37961	galley lift bar - E1, E3	.20		4733C4981	rocker switch (elec. pump)
1.00			4702-0891	galley lift bar - E2		15A	4064795603P	3/8" u-channel "blk" 60" pc.
			4757-6341	chain assy. x2 per bar	.15	16	4702A5711	drawer assy.
.15	7		4702-3771	plastic chain cover lt. - E1, E3	.15	16A	4701A4651	dr/drawer pnl. 14 1/4" x 10"
.15			4702-3781	plastic chain cover rt. - E1, E3	*1.00	17	4701B1431	lower galley front rt. - E1
.15			4702-0901	plastic chain cover lt. - E2	*1.00		4701C4821	lower galley front rt. - E2
.15			4702-0911	plastic chain cover rt. - E2	1.00		4702B1481	lower galley front rt. - E3
.75	8		4701-4831	galley gazoodi rt. - E2	.15	18	4701A4671	door pnl. 14 1/4" x 18 1/2"
.30			4064700091P	lipped t-molding 12' pc. pkg.	.15		4701A1481	door pnl. 9 1/8" x 12"
.75	8A		4701-4811	galley gazoodi lt. - E2	.15		4701A4661	door pnl. 9 1/8" x 18 1/2"
.75			4701-1441	seat gazoodi - E1	.15		4702A1071	door pnl. 12" x 17 7/8"
.75			4702-1131	galley gazoodi - E3	.15		4733-6391	latch & strike pkg.
			4755B8201	nylon block x2 - E3	.25	19	4702-5081	filler assembly
.35			4702-196	glide-out seal track - E3	1.00	20	4702A1461	lower galley frt lt. - E1, E3
			4064700589P	glide-out sweep seal - E3	1.00		4701C4821	lower galley front lt. - E2
.60	9		4702-5261	lower galley brkt. "left"	.75	21	4701A4861	cabinet front - E2
.60			4702-5271	lower galley brkt. "right"	.45	22	4753-5581	flexible gas hose 48"



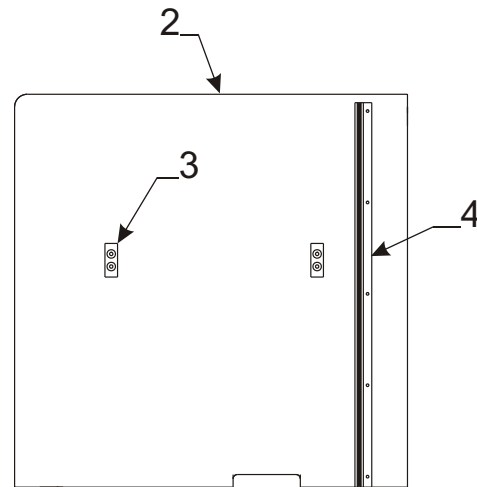
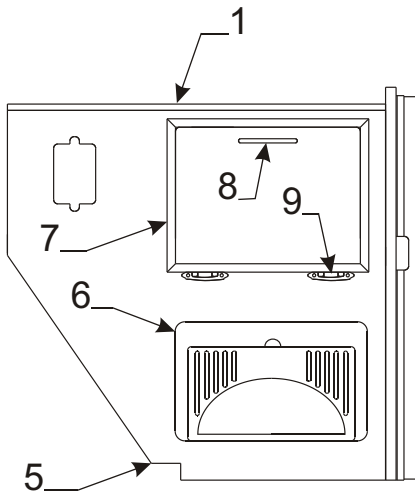
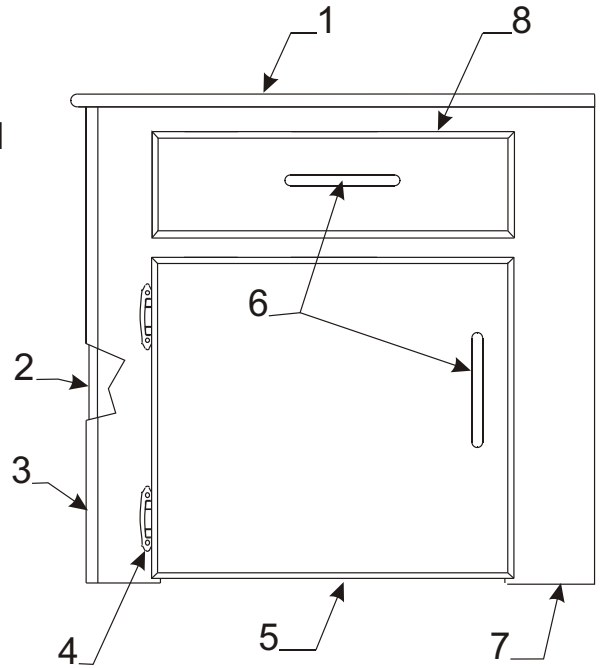
\* Add .50 with heater

Flat Rate	Code	Part #	Description	Flat Rate	Code	Part #	Description
1.00	1	4701-8091	galley top (Vitco stoves)	.15	10	4701A8211	door panel 19" x 10"
1.00		4702A4461	galley top (Suburban stoves)	.15		4733-6391	latch & strike pkg.
.30	2	4710F0301	sink	.10	11	4755B2681	door pull
.05	3	4714C0661	crumb cup	.10	12	4762-4878	hinge
.10	4	4746A5421	pump hold down pkg.	1.25	13	*4747L4371	lower galley top
.40	5	4767-3301	hand pump	.20		4746C0971	kill switch m4
		4716-081	screw x4	1.50	14	*4749M9901	galley front
		<b>Note: refer to page 22 for pump components</b>		.15	15	4701A8001	door panel 15 1/4" x 10 1/4"
	6	<b>Note: refer to page 21 for stove components</b>		.15	16	4701A1481	door panel 9 1/8" x 12"
.15	7	4744A9261	knuckle latch m4	.15	17	4701A9491	door panel 15 3/4" x 7"
		1203-8678	rivet m25	.75	18	4749K9891	seat gazoodi
	8	4701A807	upper galley back	.10	19	4743A3551	furnace grill
		4701-805	upper galley side "lt."	.10	20	4751A9711	hose strap pkg.
		4701-804	upper galley side "rt."		21	4702-2501	hold down support
.10	9	4701-8221	galley pull strap	.50	22	4747A9671	galley hinge

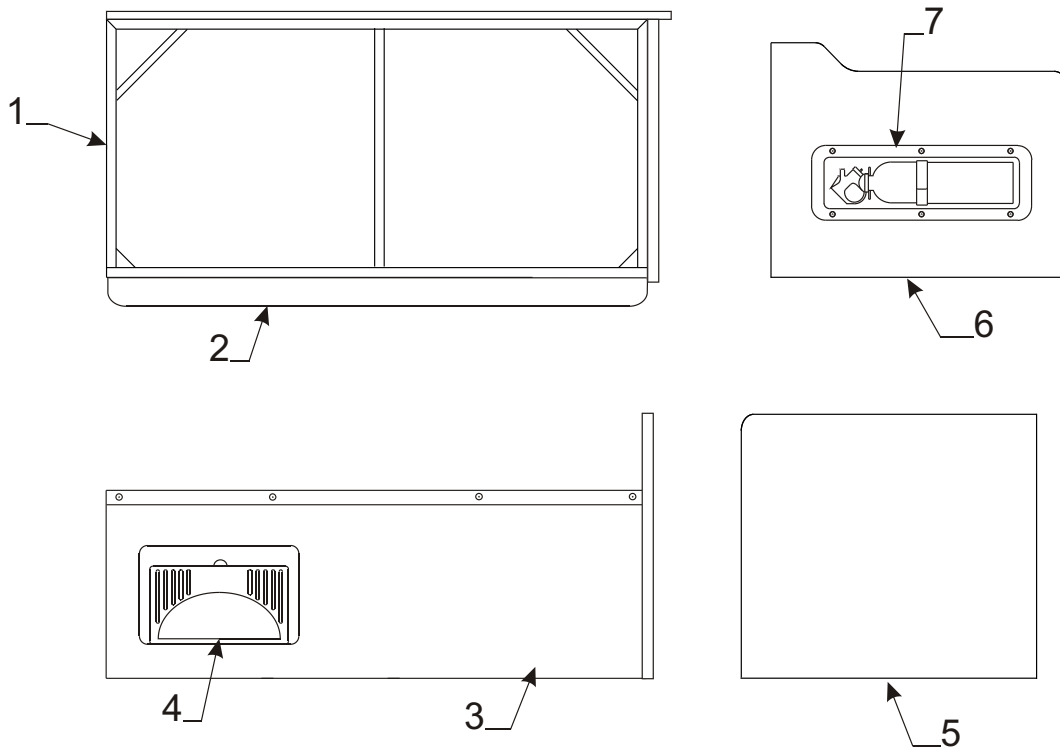


**CSF Corner Cabinet Assy. - 4247 E1**

Flat Rate	Code	Part #	Description
.25	1	4701E1211	cabinet top
.30	2	4701A122	cabinet side
.65	3	4064737503P	3/8" f-channel 48" pc.
.10	4	4739C0511	hinge
		4749C4591	screw #6 x 3/8" m12
.15	5	4701A1251	door pnl. 17 1/4" x 15 1/8"
.15		4733-6391	latch & strike pkg.
.10	6	4755B2681	door pull "pewter"
.50	7	4701B1231	cabinet front
.10	8	4701A5281	drawer assy.
.50	9	4758A103	drawer slide RHD 12"
.50		4758A102	drawer slide LHD 12"
.50	10	4755A8821	14" drawer guide rt./lt.
.25	11	4758A292	mounting bracket



Flat Rate	Code	Part #	Description	Flat Rate	Code	Part #	Description
2.00	1	4702A1121	cabinet top	.50	5	4702B1101	cabinet front
.75	2	4702-1131	cabinet gazoodi	1.00	6	4753E8201	converter
.30		4064700091P	lipped t-molding 12' pc. pkg.	.15	7	4701A1481	door panel 9 1/8" x 12"
.50	3	4755B8201	nylon block x2	.15		4733-6391	latch & strike pkg.
.35	4	4702-196	glide-out seal track	.10	8	4755B2681	door pull "pewter"
.25		4064700589P	glide-out sweep seal	.10	9	4739C0511	hinge
						4749C4591	screw #6 x 3/8" m12



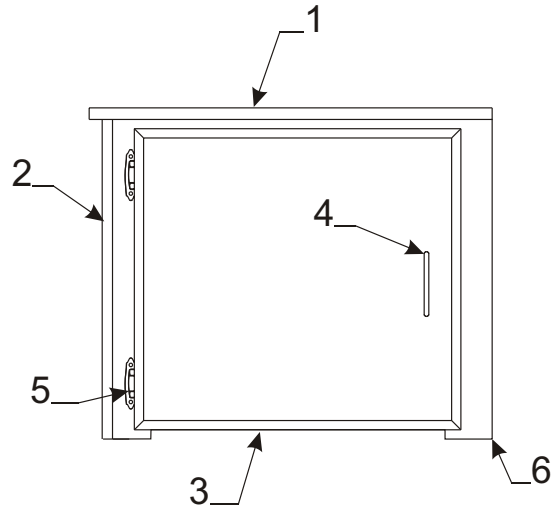
\* Warranted Through Vendor

**Seat Bench Component Parts - 4228 Cobalt**

<u>Flat Rate</u>	<u>Code</u>	<u>Part #</u>	<u>Description</u>
1.00	1	4701-705	frt./rr bench frame
.20	2	4701-4921	table support angle cs/rs
.30	3	6010415698P	universal paneling 48" x 48"
1.00	4	4753E8201	converter 25 amp WFCO
.15		4716D1301	converter cover w/door (plastic)
.75	5	4749K9891	rs seat end
.30		4064700091P	t-molding (8' pc. pkg.)
.75	6	4749H9881	cs seat end
.30		4064700091P	t-molding (8' pc. pkg.)
.15	7	4701-1321	recessed mount
		4701-1331	screw m12
.05		4716-1191	fire extinguisher strap m2
.10		4737A5558	fire extinguisher

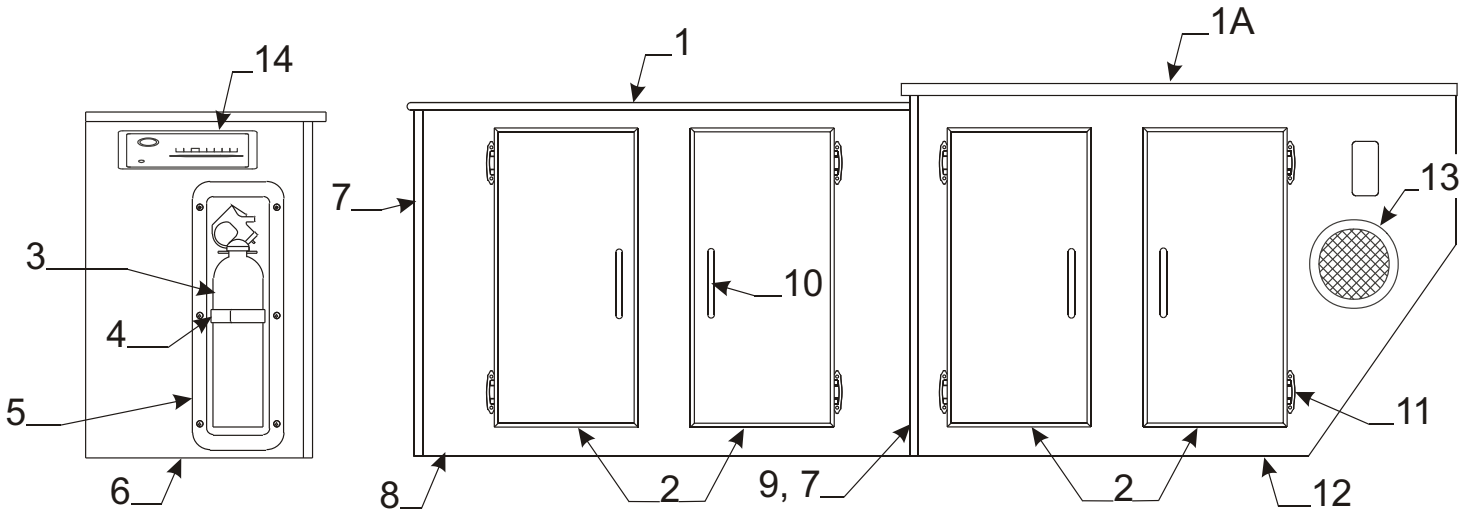
**CS Corner Cabinet Assy. - 4228 Cobalt**

<u>Flat Rate</u>	<u>Code</u>	<u>Part #</u>	<u>Description</u>
.25	1	4701-9441	cabinet top
.30	2	4701A9461	cabinet side
.35		4064737503P	3/8" f-channel 48" pc.
.15	3	4701A1251	door panel 17 1/4" x 15 1/8"
.15		4733-6391	latch & strike pkg.
.10	4	4755B2681	door pull
.10	5	4762-4878	hinge
		4749C4591	screw #6 x 3/8" m12
.50	6	4701B9471	cabinet front

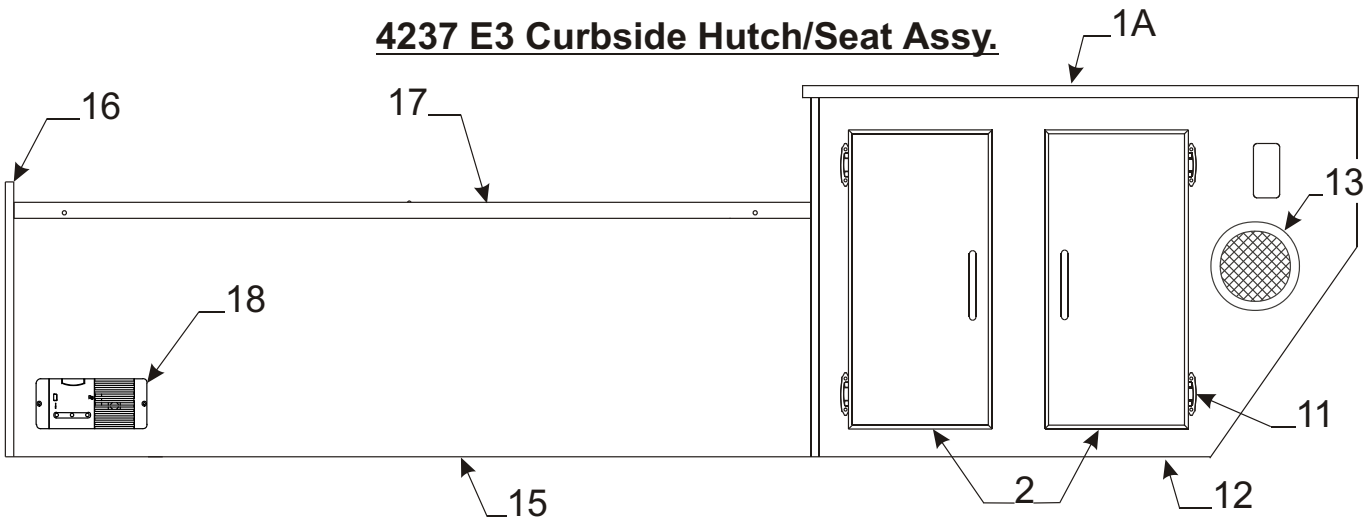




### 4247 E1 Curbside Hutch Assy.

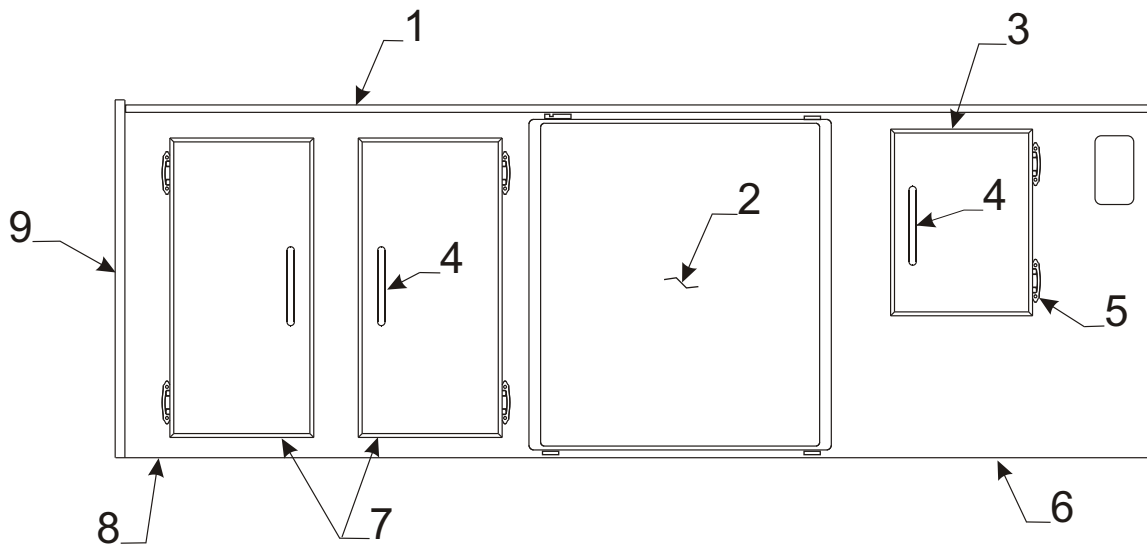


### 4237 E3 Curbside Hutch/Seat Assy.

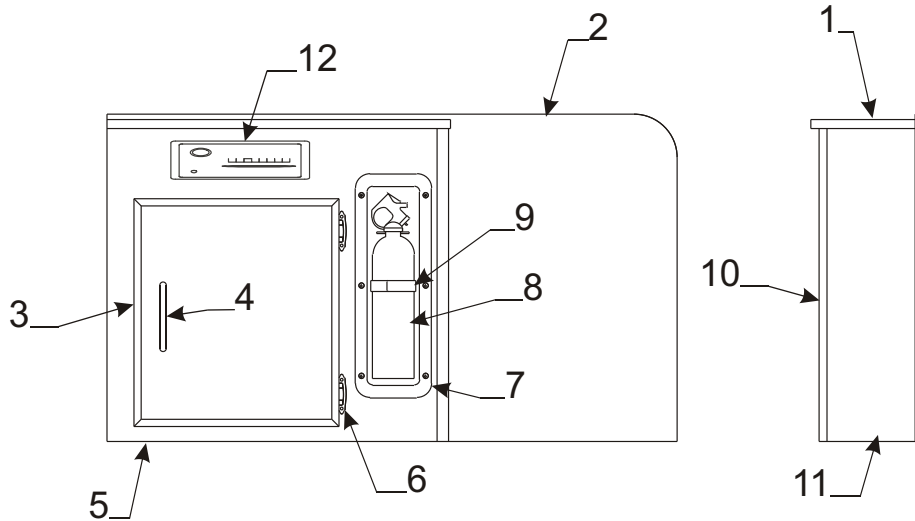


#### Curbside Hutch/Seat Assy. - 4247 E1, 4237 E3

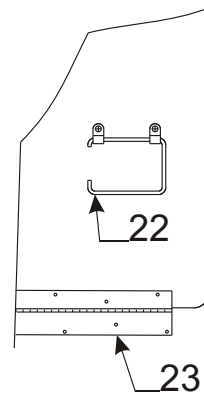
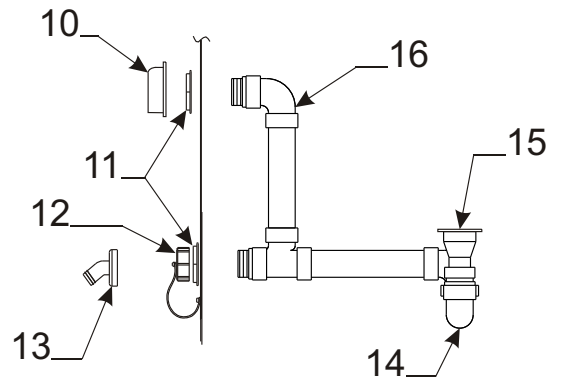
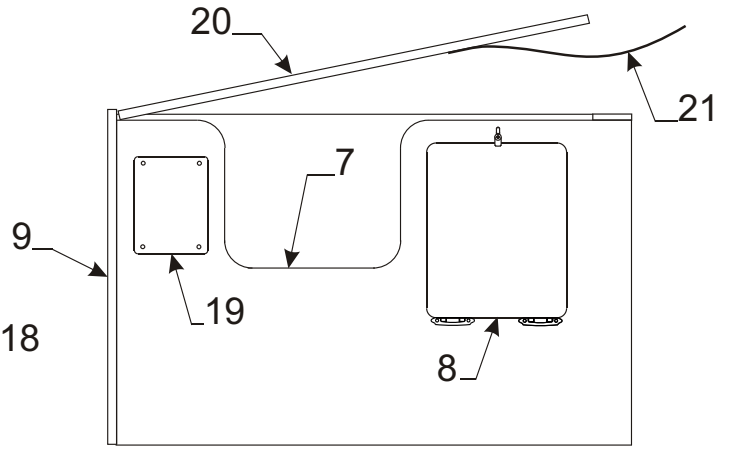
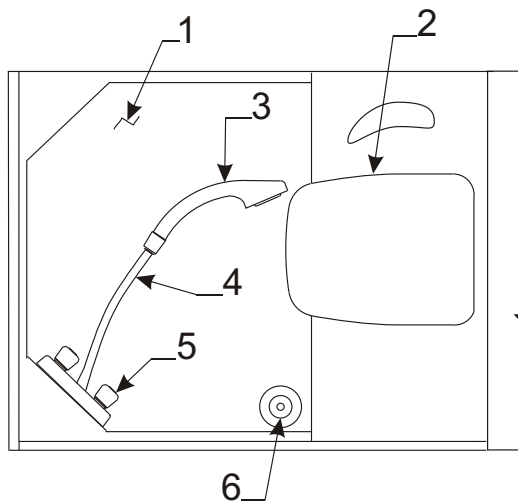
Flat Rate	Code	Part #	Description	Flat Rate	Code	Part #	Description
.75	1	4702A1951	hutch top "small" - E1	.10	11	4739C0511	hinge
.75	1A	4702A1591	hutch top "large" - E1, E3			4749C4591	screw #6 x 3/8" m12
.15	2	4701A4661	door pnl. 18 1/2" x 9 1/8"	1.00	12	4701B1281	hutch front "rt."
.10	3	4737A5558	fire extinguisher	.15	13	4800A3911	speaker/grill "black"
.05	4	4716-1191	fire extinguisher strap m2	.50	14	4765C1121	am/fm cd radio
.15	5	4701-1321	recessed mount	.50		4765A1141	wire antenna w/plug
		4701-1331	screw m12	.50	15	4702B157	seat front - E3
.55	6	4701B1301	hutch side	.10	16	4702C1581	seat end - E3
.65	7	4064737503P	3/8" f-channel 48" pc.	.30		4064700091P	t-molding 12' pc. pkg.
.50	8	4701B1311	hutch front "lt."	.25	17	4702-547	seat frame - E3
.50	9	4701B1271	hutch mid panel	.25	18	4753B9171	lp gas detector
.10	10	4755B2681	door pull "pewter"				



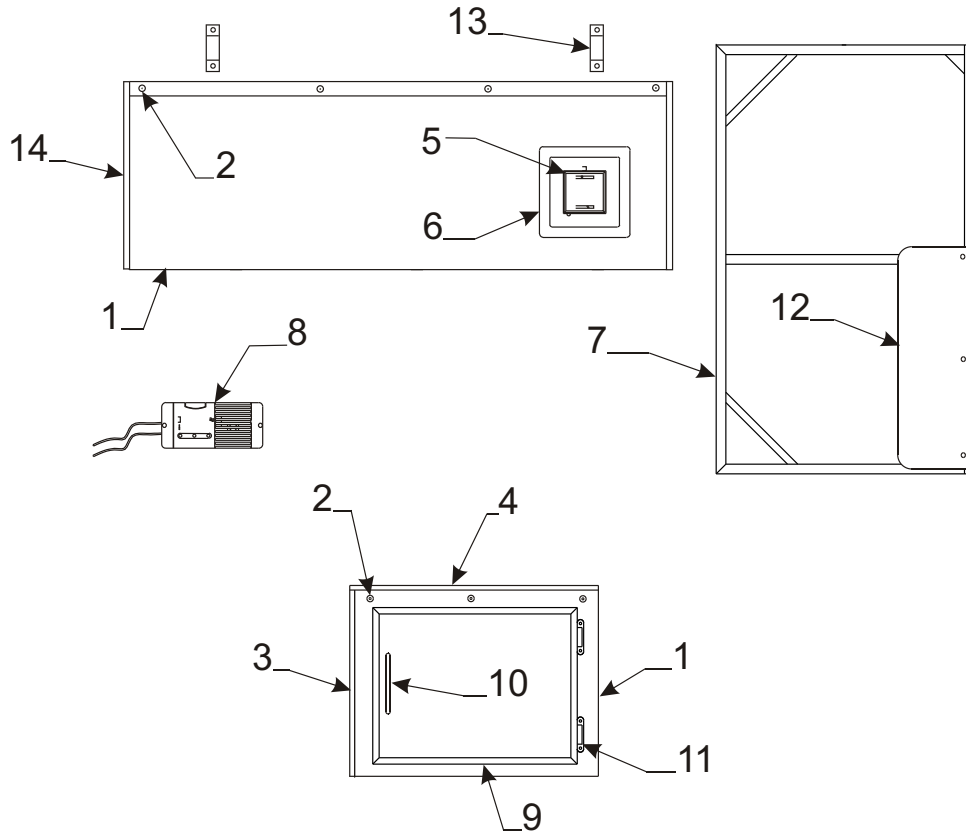
Roadside Hutch Assy. - 4244 E2				Flat			
Flat				Rate	Code	Part #	Description
.75	1	4701B4721	hutch top	1.00	6	4701B4741	hutch front "rt."
.25	2	6010415698P	reefer door insert	.15	7	4701A4661	door pnl. 9 1/8" x 18 1/2"
.15	3	4701A1481	door pnl. 9 1/8" x 12"	.55	8	4701B4731	hutch front lt.
.10	4	4755B2681	door pull "pewter"	.75	9	4701-4831	galley gazoodi rt.
				.30		4064700091P	t-molding (8' pkg.)



CSR Seat Cabinet Assy. - 4244 E2				Flat			
Flat				Rate	Code	Part #	Description
.25	1	4701B9581	cabinet top	.10	6	4739C0511	hinge
.75	2	4701-9611	seat gazoodi	.15	7	4701-1321	recessed mount
.30		4064700091P	t-molding (8' pkg.)			4749C4591	screw #6 x 3/8" m12
.15	3	4701A8641	door pnl. 15 3/4" x 13"	.10	8	4737A5558	fire extinguisher
.15		4733-6391	latch & strike pkg.	.05	9	4716-1191	fire extinguisher strap m2
.10	4	4755B2681	door pull "pewter"	.65	10	4064737503P	3/8" f-channel 48" pc.
.50	5	4701B9591	cabinet side	.50	11	4701B9601	cabinet front
				.50	12	4765C1121	am/fm cd radio
				.50		4765A1141	wire antenna w/plug



Shower Stall Components - 4244 E2, 4237 E3			
Flat Rate	Code	Part #	Description
1.50	1	4759B1001	shower pan - E2, E3
.75	2	4746D2461	cassette potty - E2
.75		4756A2251	cassette potty - E3
.15	3	4767-0101	shower head w/bracket
.15		4767-0111	shower head brkt. (c-shape)
.20	4	4741B2051	shower hose (72" length)
.50	5	4741B2071	shower diverter
.10		4716-0848	shower hose connector
.50	6	4746A1821	basket & strainer
1.50	7	4800B4031	shower threshold - E2
1.50		4702B1641	shower threshold - E3
.30		4060300083P	t-molding (threshold) (12' pc.)
.15	8	4800A5411	potty door - E2
.75	9	4800-4021	shower wall - E2
.75		4800B4021	shower wall - E3
.30		4060400093P	1/2" t-molding pkg. (12' pc.)
.15	10	4702-0261	vent cover "black"
.50	11	4757-0921	metal nut 1 1/2"
.50		4701-1871	plastic nut 1 1/2" pvc
.10	12	4714A2861	cap & strap
	13	4737-9138	drain adapter
.40	14	4752-3621	p-trap w/union joint
.50	15	4757-8561	drain plug adapter
1.00	16	4741B9301	vent system
	17	4741D6361	tub package. (Not Shown)
	18	4800-4041	shower back angle
.10	19	4800-4051	access cover
.40	20	4701-7421	shower cover board - E2
.40		4702-5651	shower cover board - E3
.05	21	4754-7401	hold-up strap - E2
.05		4769-6721	hold-up strap - E3
.15	22	4756-9121	TP holder
		4747-2531	nylon clamp m2
.25	23	4756-4441	shower board hinge

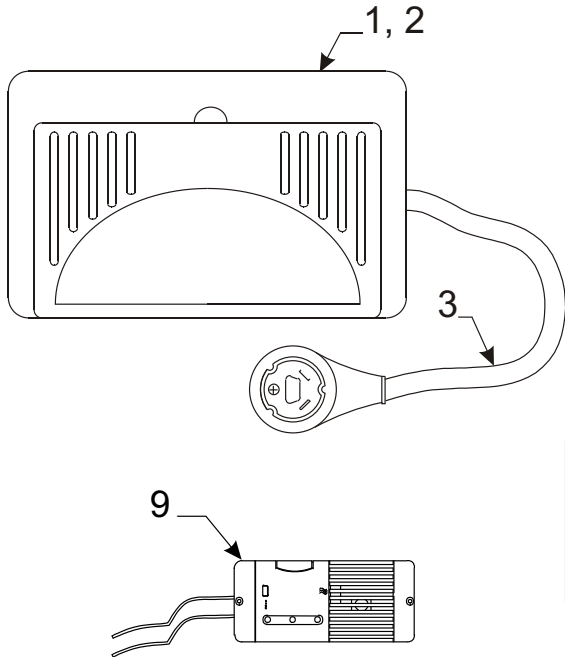


\* Warranted Through Vendor

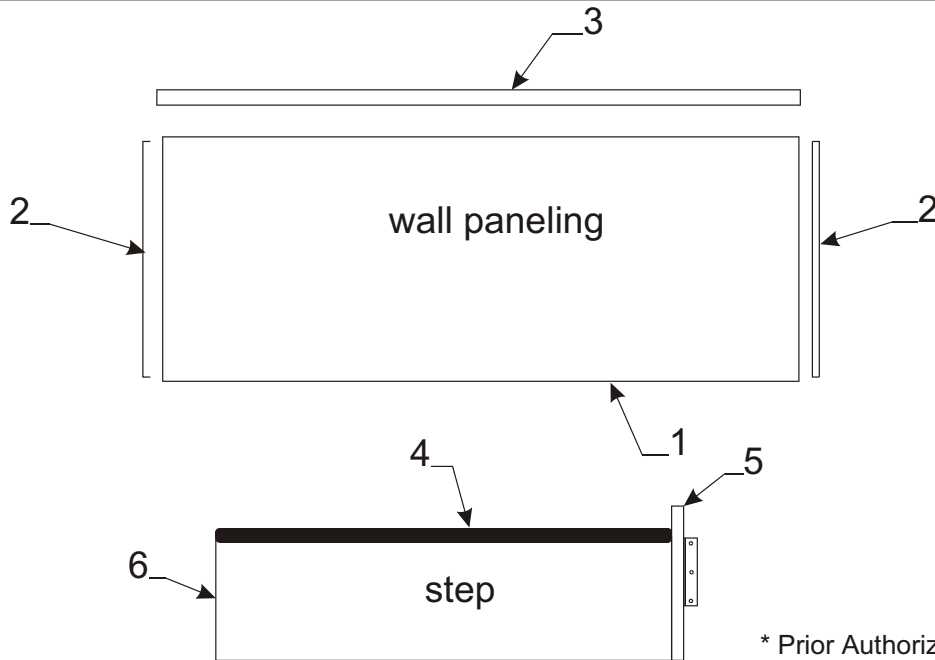
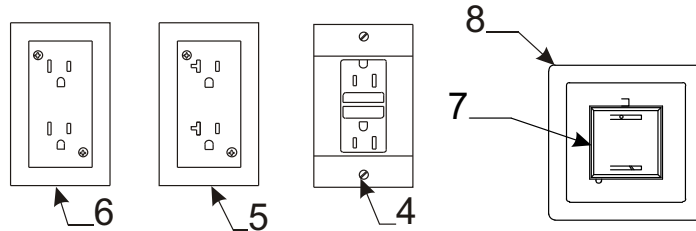
Flat Rate	Seat Bench Component Parts - E1, E2, E3	Code	Part #	Description
.30	1	6010415698P	universal wall panel 48" x 48"	
	2	4734J1861	rivet m25	
		1202B0268	washer	
.65	3	4060115606P	5/32" f-channel 48" pc. m2	
.50	4	4060015605P	5/32" u-channel 48" pc. M2	
.50	5	4752A8461	*thermostat	
.20	6	4701-2341	plastic base & bracket	
1.00	7	4701-514	bench frame x2 - 4147 E1	
1.00		4701-705	bench frame x2 - 4144 E2	
1.00		4702-515	glide-out bench frames x2 - 4137 E3	
.25	8	4753B9171	lp gas detector "black"	
.15	9	4702A1071	door panel 12" x 16" - 4137 E3	
.10	10	4755B2681	door pull "pewter"	
.10	11	4739C0511	hinge	
.40	12	4702-5191	metal flip-up backrest x2	
.15	13	4767-845	hat bracket x2	
	14	4064700037P	large gimp "black" (20' pc. pkg.)	

**WORLD FRIENDSHIP CO., LTD**  
 Warranty: 800-900-2468

Flat Rate	Code	Part #	Description
1.00	1	4753E8201	converter 25 amp
.15	2	4716D1301	door & frame (plastic)
.60	3	4772-1601	power cord 32 ft.
.35	4	4701-1061	GFI receptacle "black"
.20	5	4701-1071	20 amp receptacle "black"
.20	6	4701-1081	15 amp receptacle "black"
.40		4746A3851	receptacle box
.50	7	4752A8461	*thermostat
.20	8	4701-2341	plastic base & bracket
.25	9	4753B9171	lp gas detector "black"

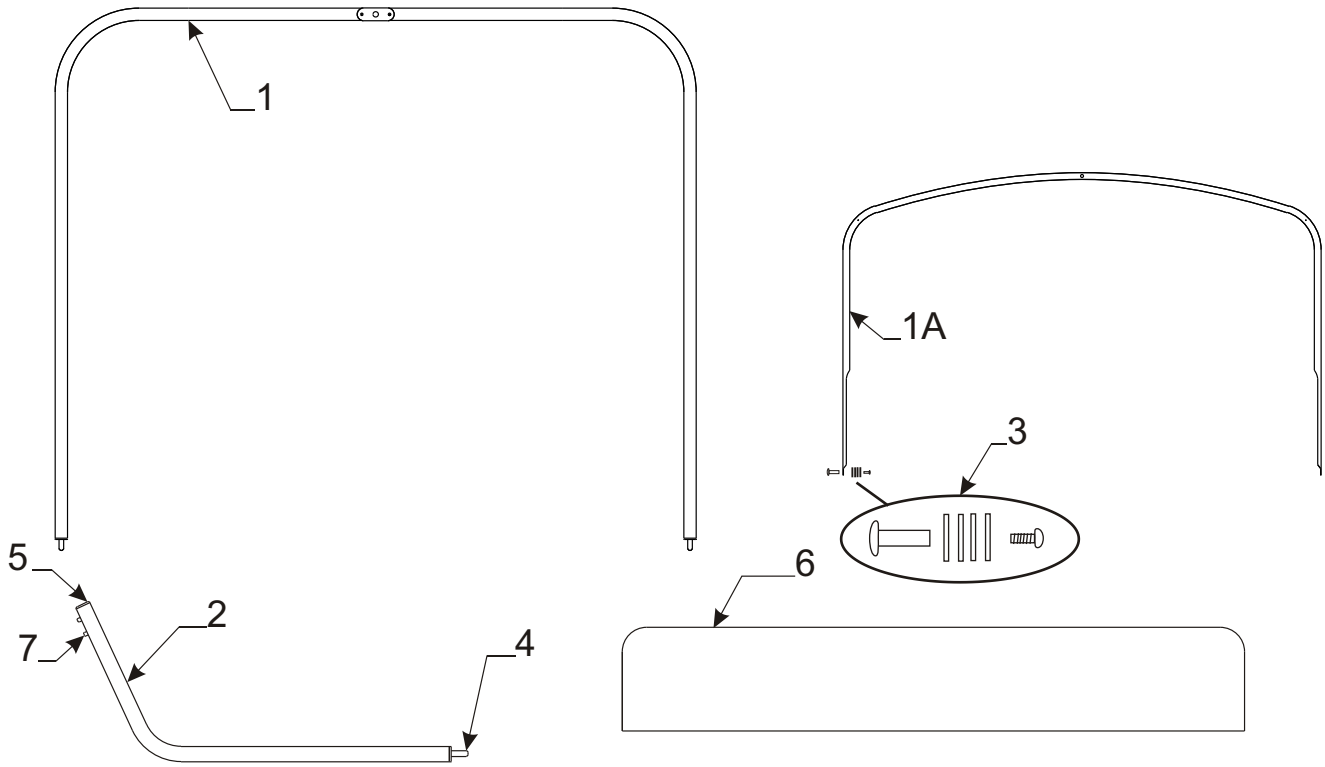


\* Warranted By Vendor

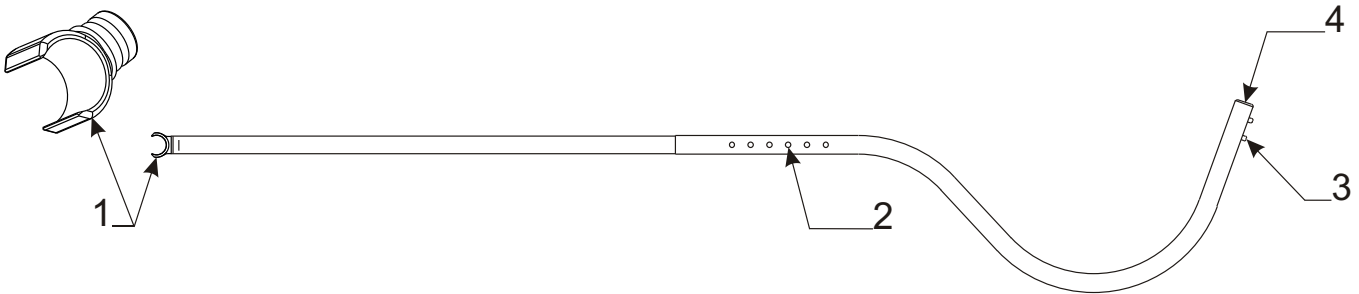


\* Prior Authorization Needed

Flat Rate	Code	Part #	Description
*	1	6010415698P	wall panel 48" x 48"
*	2	4064700378P	corner divider m2 48" pc.
	3	4064700066	luan batten strip "black" 96" pc.
	4	4702-4551	carpet "black" 28" x 11 3/4"
	5	4702-4191	step gazoodi - 4237 E3
.30		4060475002GP	t-molding (14' pc. pkg.)
	6	4702-4211	step front panel
	7	4060000084P	3/16" sponge gimp "black" (20' pc. pkg.)
		4064700037P	large gimp "black" (20' pc. pkg.)

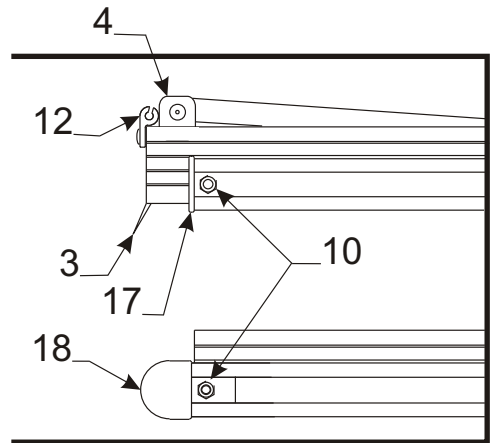
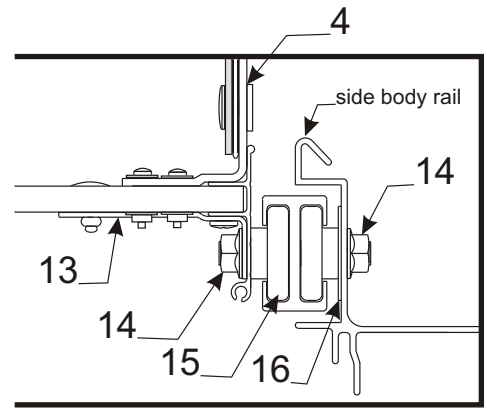
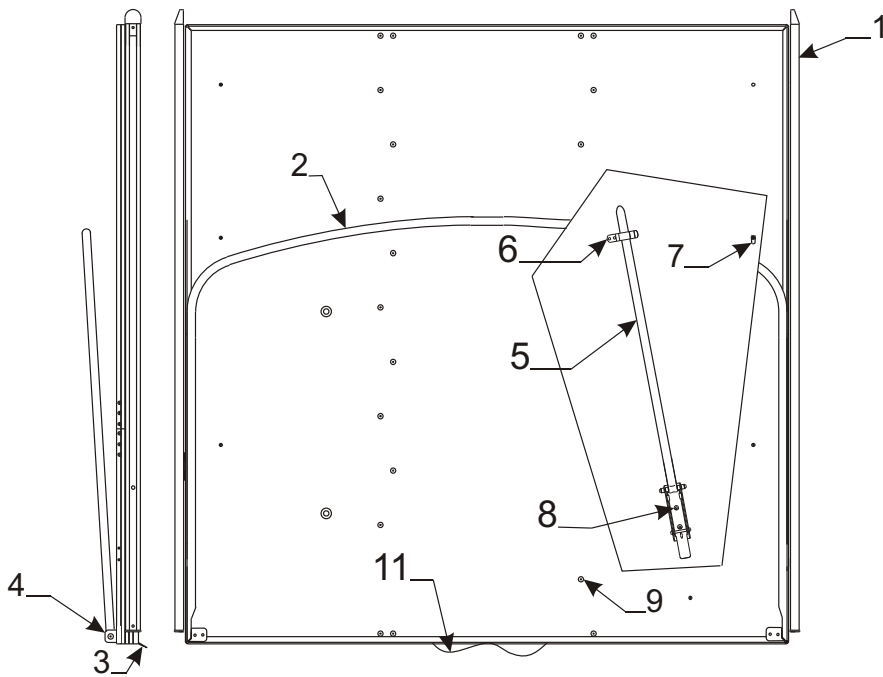


Tip-Out/Glide-Out Tent Bow - 4244 E2, 4237 E3				
Flat Rate	Code	Part #	Description	
.10	1	4759A5761	tip-out tent bow assy. - 4244 E2	
.10	1A	4756C2071	glide-out tent bow - 4237 E3	
.05	2	4759B5751	tip-out tent support - 4244 E2	
.05		4773B5131	glide-out tent support - 4237 E3	
.10	3	4716-4451	glide-out bow mounting pkg.	
.20	4	8470-1728	black pin m10	
.10	5	4752A0561	tube closure "black" m2	
.10	6	4757-4281	tip-out support board 4244 E2	
.10	7	4734A6708	spring assy.	



Tent Support Components			
Flat Rate	Code	Part #	Description
.20	1	4757-4301	tent support clasp m10
.10	2	4734-6708	spring assy.
.10	3	4734A6708	spring assy.
.10	4	4752A0561	tube closure "black" m2

Tent Support Assemblies (Complete)		
Flat Rate .10 per Tent Support		
Model	Front Bed	Rear Bed
4247 E1	4759A6891	4769B5641
4244 E2	4769B5641	4759A6891
4237 E3	4772B6021	4772B6021
4228 Cobalt	4701B6601	4701-6591

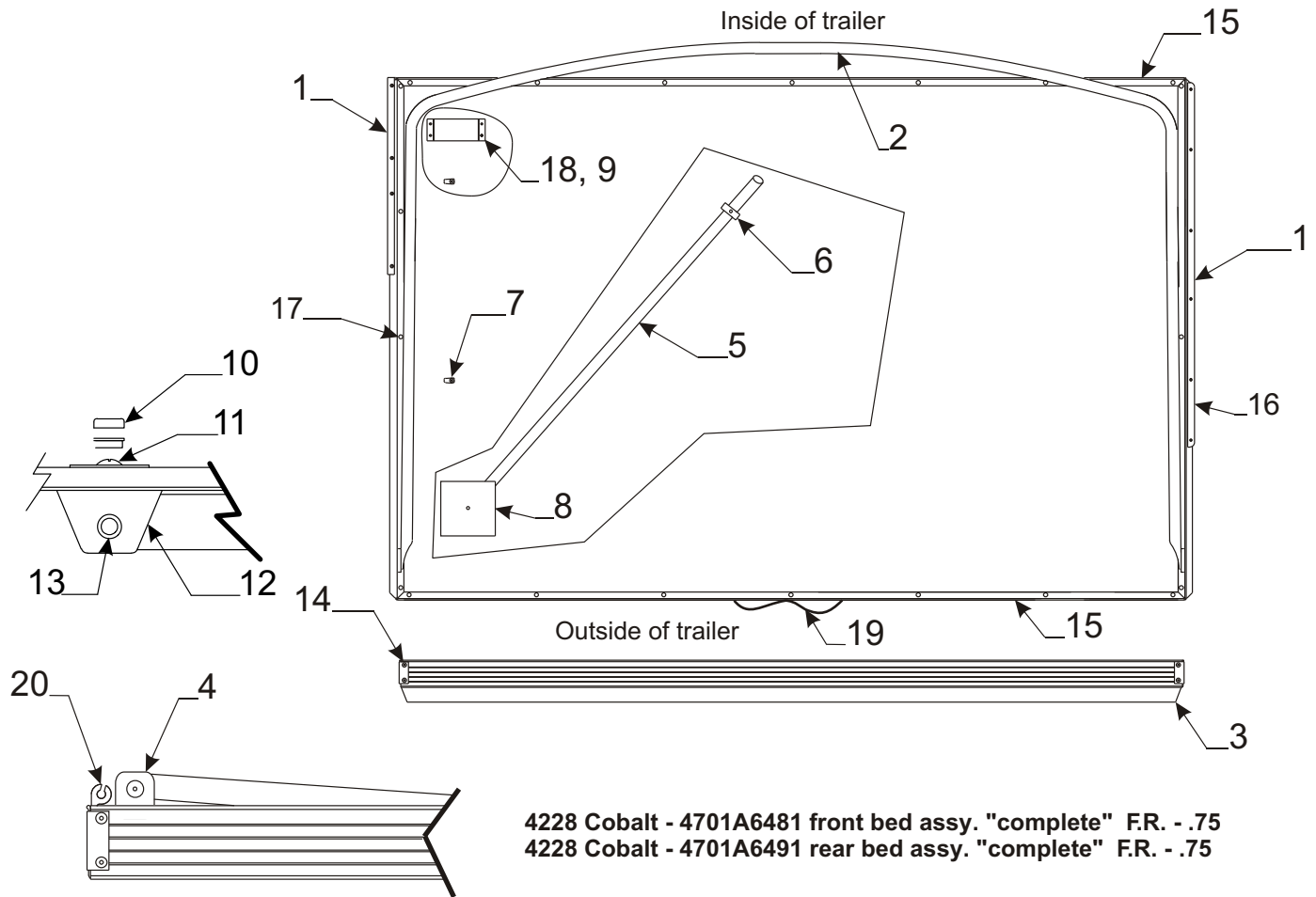


- E1 - 4701A5391 Front Bed Assy. "Complete" F.R. - .75
- E1, E2 - 4701A5711 Rear Bed Assy. "Complete" F.R. - .75
- E2 - 4701A7281 Front Bed Assy. "Complete" F.R. - .75
- E3 - 4702-5411 Front Bed Assy. "Complete" F.R. - .75
- E3 - 4702-5421 Rear Bed Assy. "Complete" F.R. - .75

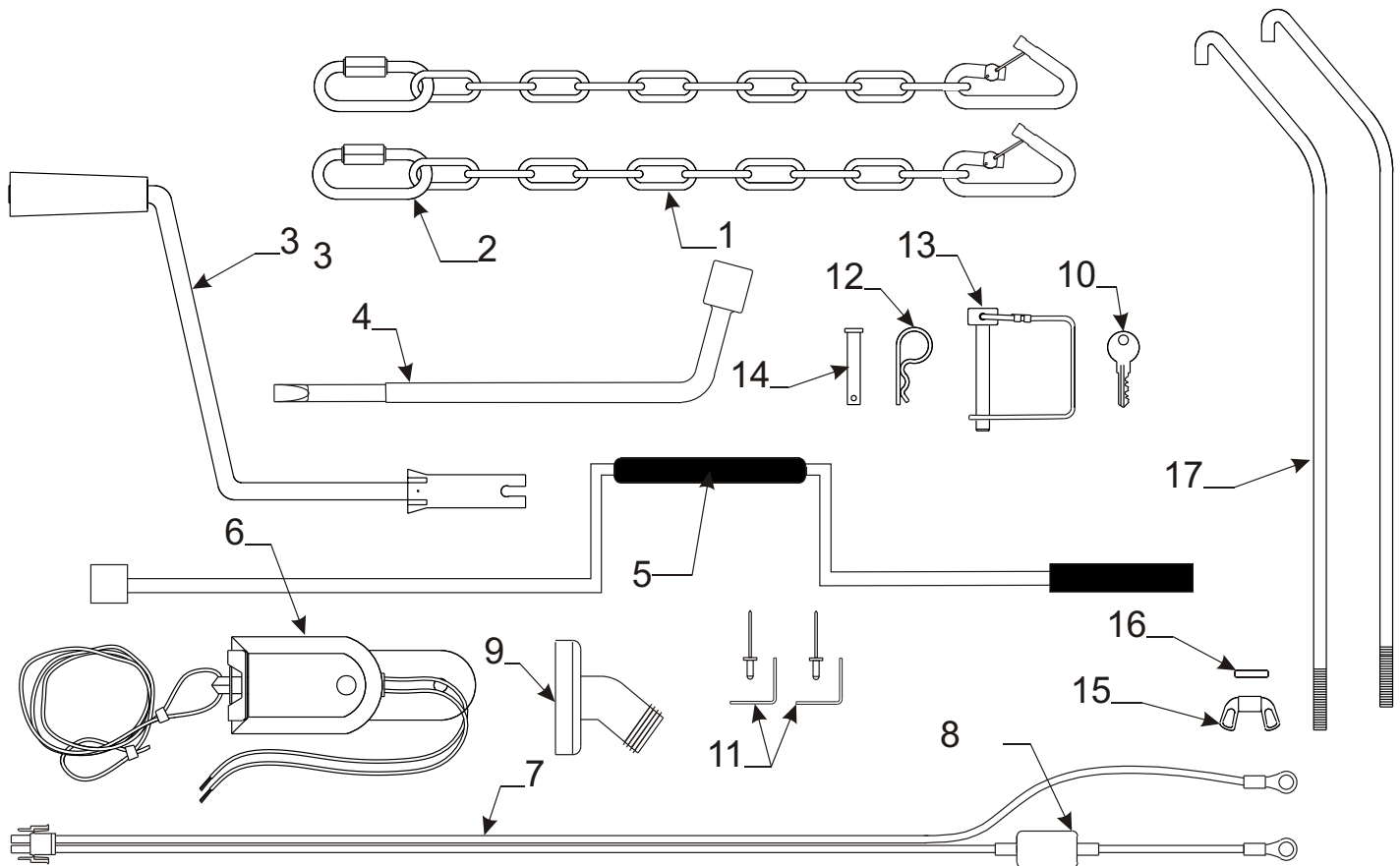
Flat Rate	Code	Part #	Description
**	1	4716U4031	bed extension (x2 per bed)
<b>Note: must cut bed extension to size where applicable</b>			
.25	2	4714C1901	tent bow/leg package
.25	3	4060400339P	vinyl bed seal "gray" (8' pc. Pkg.)
.15	4	4720K5631	bed bow bracket M2
.05		4757-9241	1 1/2" nylon fender washer m4
.30	5	4759B5901	bed leg assy. m2 (x2 front bed) E1, E2, E3
.30		4702-5581	bed leg assy. m2 (x2 rear bed) E1, E2
.30		4759A5871	bed leg assy. m2 (x2 rear bed) E3
.15	6	4757-4331	bed leg clip
		1203-8831	rivet m25 (rivet clip to bed)
.15	7	4720E4021	lashing hook m6
		1203-8741	rivet m25 (rivet hook to bed)
.20	8	4757-4471	slotted support channel
		4714-4521	mounting screws (pkg. of 3 each)
<b>Pkg. includes screws, washers, plastic caps and washers</b>			
	9	1203C8721	rivet m25
.20	10	1034B16128	flat head screw
		1201B6378	lock nut
.20	11	4758-9481	pull-out handle strap & rivets
		4758-8001	rivet "black" m25
.50	12	4758-8301	bed end retainer track & rivets
.20	13	4755A2591	bed brkt. w/mounting hardware x4
	14	4739-2298	lock nut
.50	15	4754-8101	bed roller, nut, bolt, & washer pkg.
	16	1202B2908	washer
.15	17	4754-8631	bed slide end cap
.15	18	4754-4821	bed slide wedge

\*\* .50 first extension  
 \*\* .25 second extension





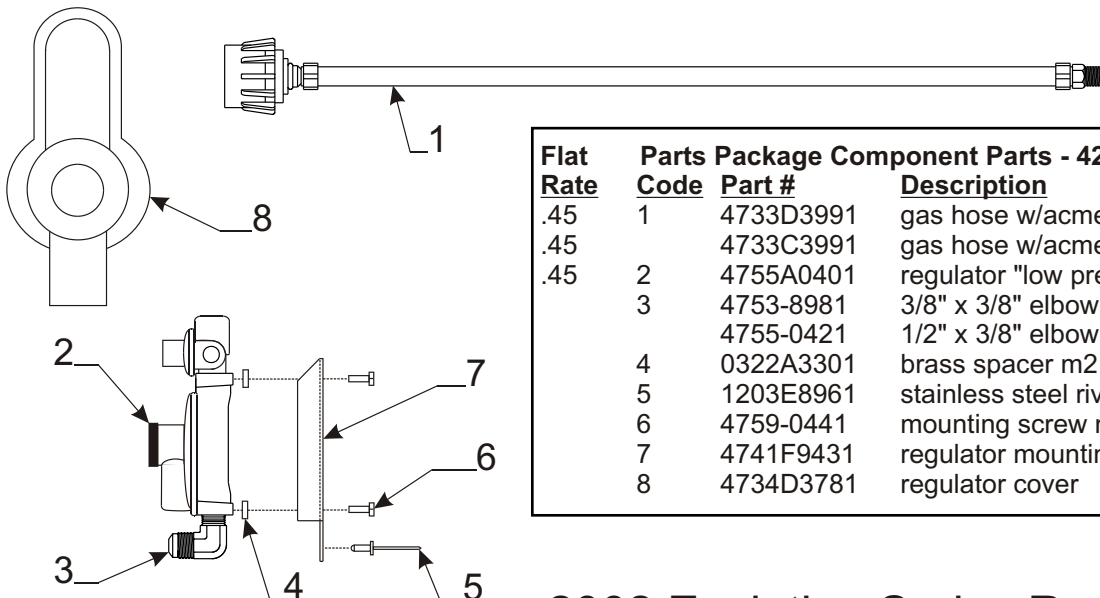
Flat Rate	Frt. & Rear Bed Assy. Components - 4228 Cobalt			Flat Rate	Description		
Code	Part #	Description	Code	Part #	Description		
.40	1	4747C4051 plastic bed slide 18"	.11	4716-074	screw		
.40		4747C3691 plastic bed slide 40"		1202B2528	washer		
.40		4747D3691 plastic bed slide 48"	.20	12	4734A5141	bed leg bracket	
		4752-3061 rivet m25		13	4720A2361	rod & pal nut	
.25	2	4714A1901 tent bow/leg package	.20	14	4747A3221	corner angle x4	
.25	3	4060300339P vinyl bed seal pkg. (8' pc.)			1203-8641	rivet m25	
.15	4	4720K5631 bed bow bracket m2	.50	15	4747A3241	front & rear bed frame	
.20	5	4701-4881 frt./rear bed leg assy.	.60	16	4702-4041	side rail csf	
.15	6	4720C0771 bed leg clip m4	.60		4702-4021	side rail rsr	
		1203-8831 rivet m25	.60	17	4702-4031	side rail rsf	
.15	7	4720E4021 lashing hook m6	.60		4702-4011	side rail csr	
		1203-8741 rivet m25	.20	18	4749B4891	bed stop	
.20	8	4737A4178 support plate	.20	19	4758-9481	pull-out strap & rivets	
	9	1203C8721 rivet m25			4758-8001	rivet "black" m25	
	10	4739E2908 screw cap m10	.50	20	4758-8301	tent retainer track & rivets	
		4739-2918 screw cap washer m10				<b>Note: must cut to size</b>	



**4701C5511 Parts Package - E1, E2, E3 / 4747J5871 Parts Package - Cobalt**

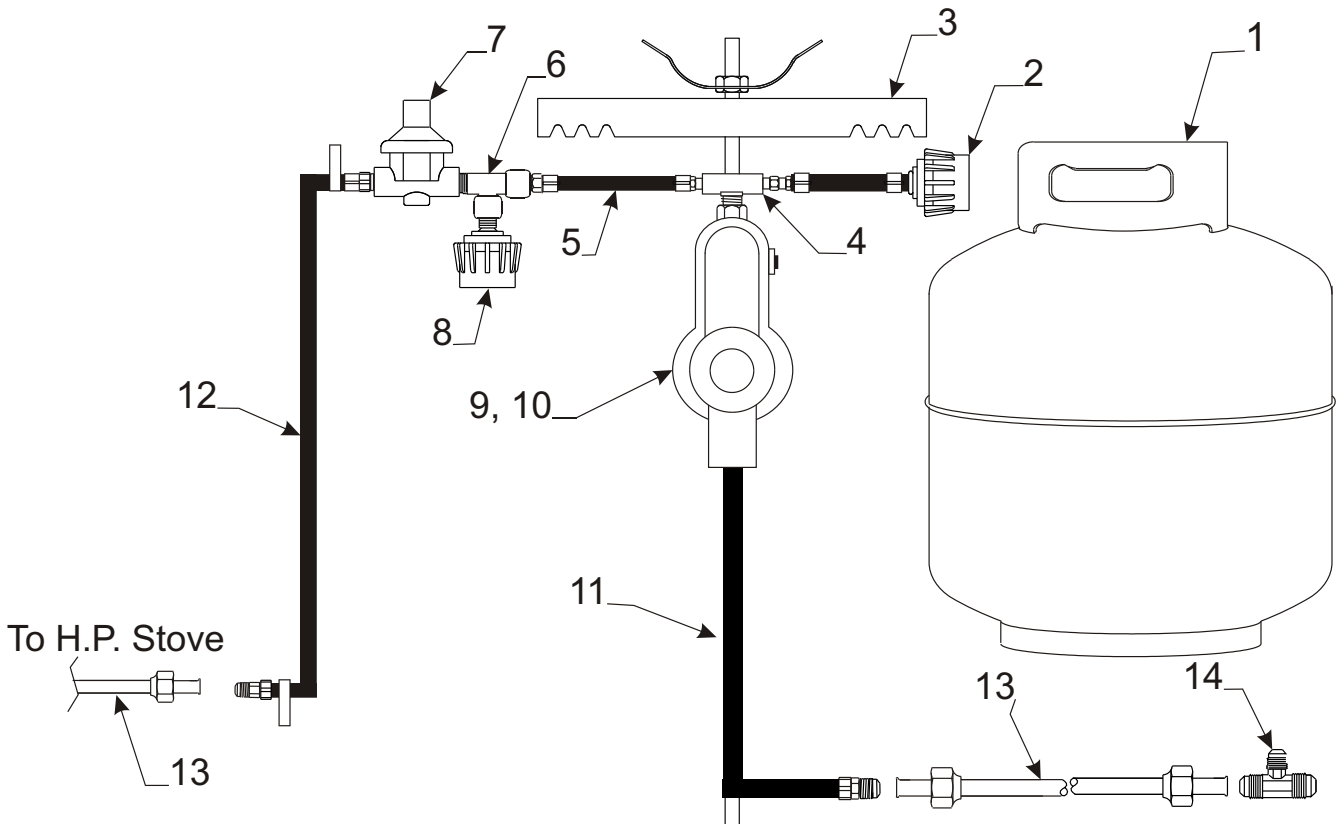
**Parts Package Component Parts**

Code	Part #	Description	Code	Part #	Description
1	4757A3901	safety chains w/quick links m2	9	4737-9138	drain adapter
2	4757-3891	quick link (sold/signally)	10	4730B3211	key m10 #8025 (gold plated)
3	4747G4141	crank handle	11	4753E6781	battery angle pkg.
4	4749A1861	lug nut wrench	12	4732A4791	safety pin m10
5	4761-2401	stabilizer crank -E1, E2, E3	13	4702-3821	wire lock pin - E1, E2, E3
6	4746-0401	breakaway switch	14	4771-2631	hitch pin m5 - Cobalt
7	4749B5531	battery harness w/15 amp breaker	15	1201-6258	wing nut x2 - Cobalt
	4768-6291	battery harness w/40 amp breaker	16	1202B0468	washer x2 m10 - Cobalt
8	4751-4811	15 amp circuit breaker	17	4733G6281	g/b mounting brkt. pkg. - Cobalt



**Parts Package Component Parts - 4228 Cobalt**

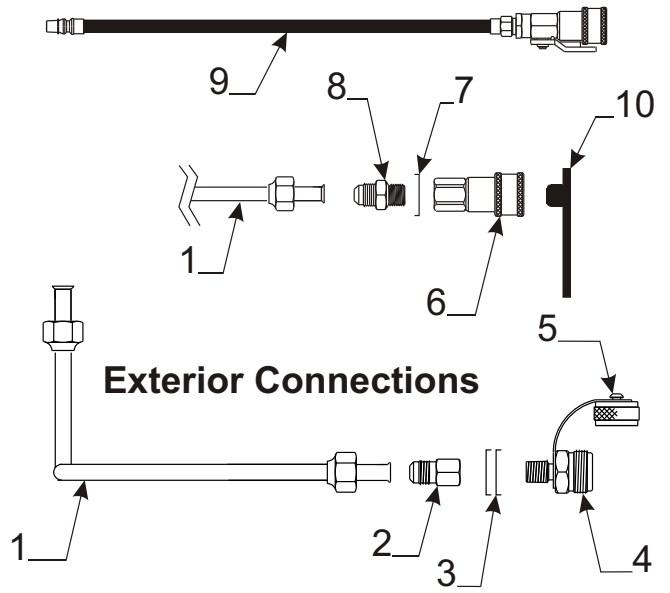
Flat Rate	Code	Part #	Description
.45	1	4733D3991	gas hose w/acme nut 21"
.45		4733C3991	gas hose w/acme nut 30"
.45	2	4755A0401	regulator "low pressure"
	3	4753-8981	3/8" x 3/8" elbow (non hot water)
		4755-0421	1/2" x 3/8" elbow (hot water)
	4	0322A3301	brass spacer m2
	5	1203E8961	stainless steel rivet m25
	6	4759-0441	mounting screw m2
	7	4741F9431	regulator mounting brkt.
	8	4734D3781	regulator cover

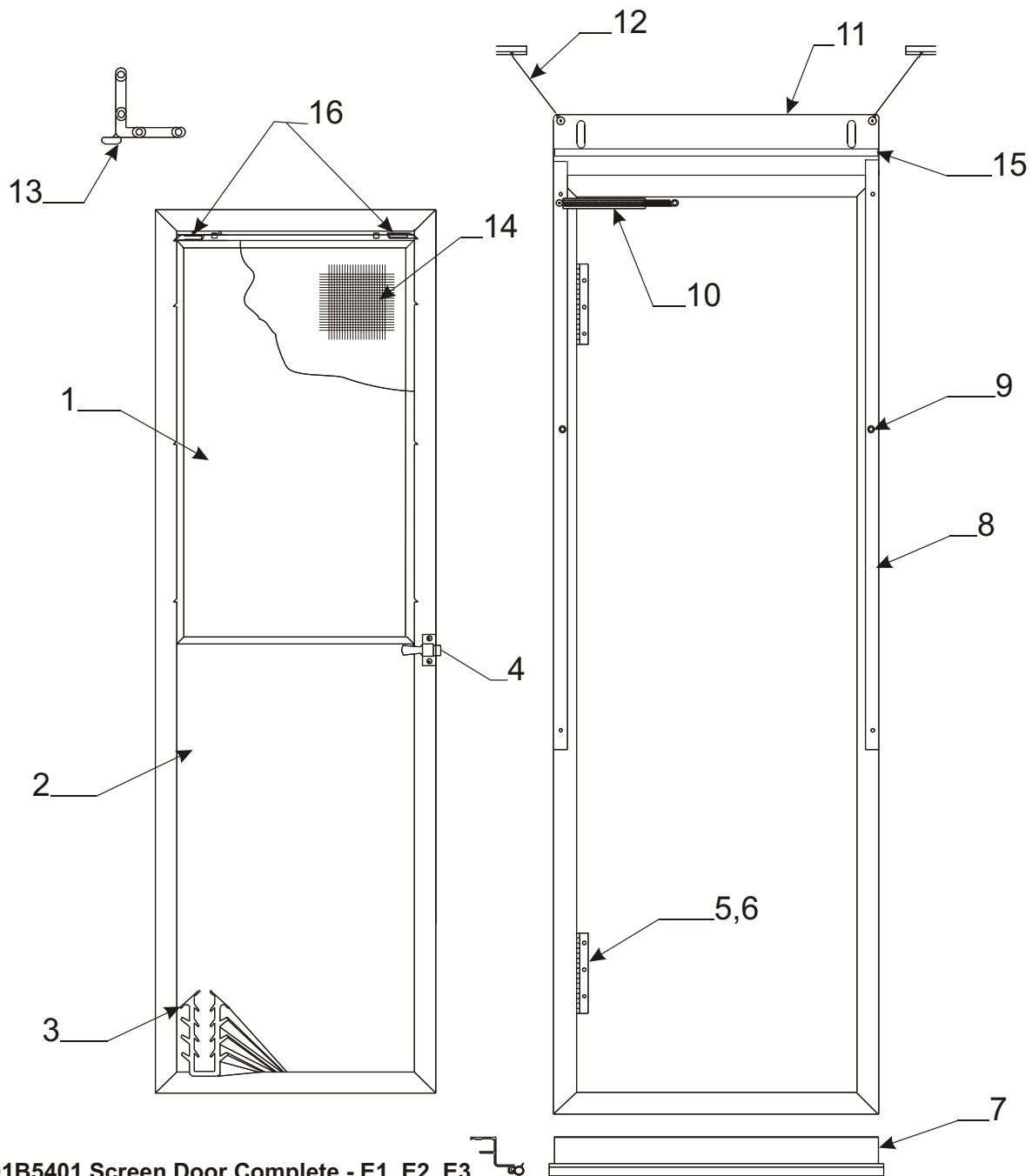


\*\* Serial Number Of Gas Bottle Must Be Supplied When Submitting Warranty

Gas System & Related Parts - E1, E2, E3				Flat			
FR	Code	Part #	Description	Rate	Code	Part #	Description
.15 **	1	4720J5928	gas bottle x2	.30	8	4765-9571	acme nut
.05		4702-5061	vinyl bottle cover	.45	9	4755A0401	regulator "low pressure"
.45	2	4761-1921	gas hose w/acme nut	.05	10	4734D3781	regulator cover "plastic"
	3	4772B9521	hold down brkt. assy.	.45	11	4737-8871	gas hose
.50	4	4767-9631	1/4" female inverted tee	.45	12	4742-8081	h.p. gas hose
.45	5	4765A9581	1/4" gas hose assy.	.25	13	1/2" or 3/8"	copper gas line purchase locally
.50	6	4739-6998	street tee	.50	14	4765-897	brass tee 1/2" equal
.45	7	4742B8041	h.p. regulator	.15		1215-1781	brass tee 1/2" x 3/8" x 3/8"

Flat Rate	Code	Part #	Description
.50	1	3/8" copper gas line purchase locally	
.15		1215-2418	3/8" flare nut
.40	2	4742-8061	female coupling - E1, E2, E3
	3	1202B1068	washer x2 - E1, E2, E3
.40	4	4739-6978	cylinder adapter - E1, E2, E3
.40	5	4742-8071	brass cap & strap - E1, E2, E3
.40	6	4742A8331	quick disconnect - Cobalt
.40	7	4748-2671	half union - Cobalt
	8	1202B1068	washer - Cobalt
.40	9	4767-0541	gas grill hose 54" - Cobalt
	10	4769-0741	dust plug "black"





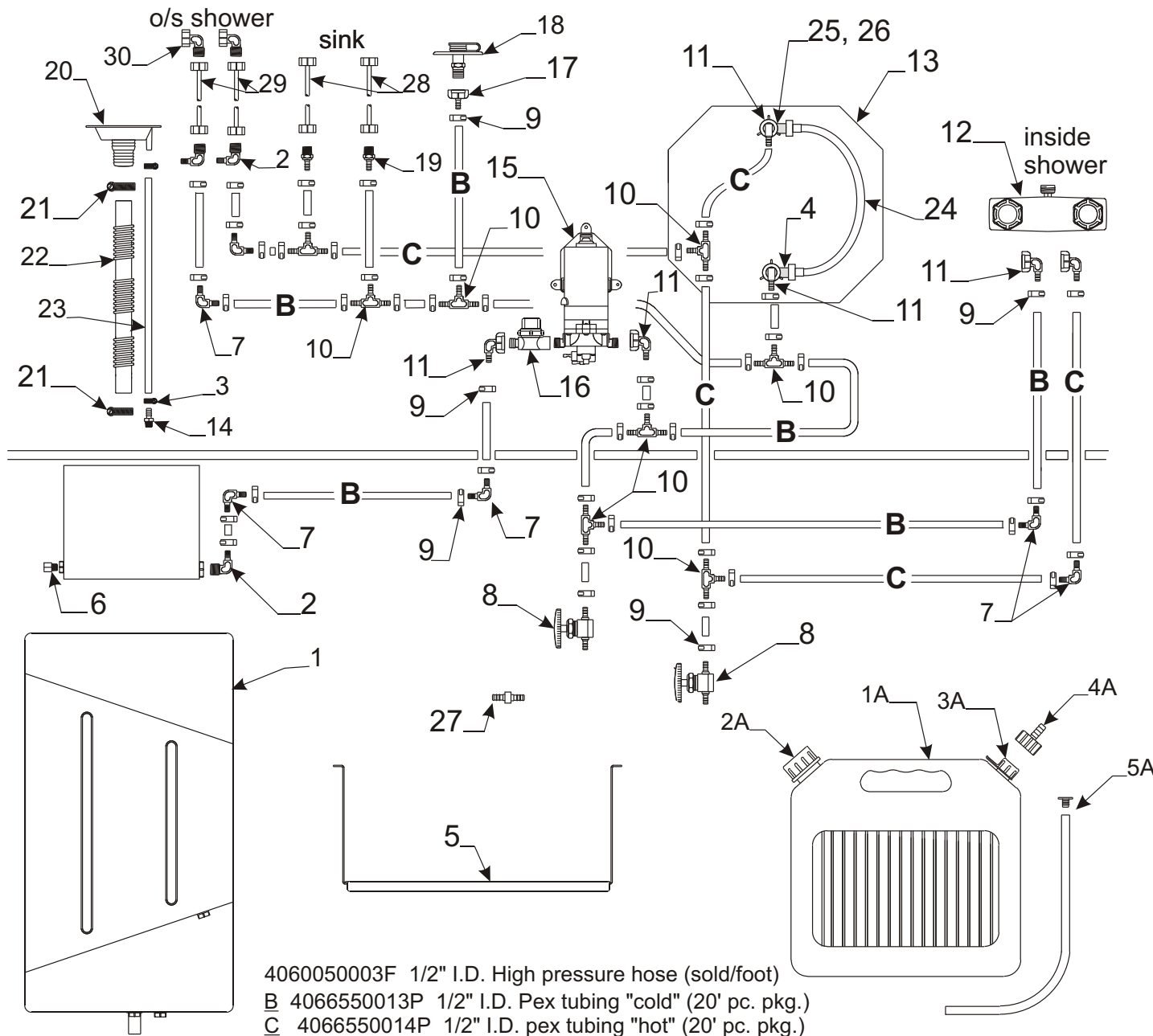
4701B5401 Screen Door Complete - E1, E2, E3

4701C6801 Screen Door Complete - Cobalt

.30 Flat Rate Screen Door Complete

Note: parts marked w/\* asterisk are not included w/screen door

Flat Rate	Code	Part #	Description	Flat Rate	Code	Part #	Description
.10	1	4713-0141	top sliding window pane	.05	9	4730A3548	stud w/screw x2
.40	2	4701A1601	stationary window pane	.20	10	4731A8201	spring package
.15	3	4060000086F	rubber seal (sold/foot) Note: around perimeter of window pane	.30	11	4758C0571	top bracket - E1, E2, E3
.15	4	*4742-9671	door latch assembly	.30		4758C0561	top bracket - Cobalt
.15	5	4720C3601	hinge x2	.15	12	4734D5211	cabl assy. m6
.15	6	1203-8641	rivet m25	.50	13	4710-3791	corner brace hinge m2
.25	7	*4747B5621	screen door support	.10	14	4716-1381	screened stationary pane
.20	8	*4060000399F	rubber seal (sold/foot)	.75		4716-1111	screening 36" x 18 1/2"
		4754A3811	vel-stick (pkg. of 2)	.10	15	4060000023P	d-seal "white" (5' pkg.)
				.50	16	4716-3811	window lock pkg. rt./lt.



4060050003F 1/2" I.D. High pressure hose (sold/foot)

B 4066550013P 1/2" I.D. Pex tubing "cold" (20' pc. pkg.)

C 4066550014P 1/2" I.D. pex tubing "hot" (20' pc. pkg.)

Flat Rate	Water System & Related Parts - E1, E2, E3			FR	Code	Part #	Description
	Code	Part #	Description				
1.50	1	4702A4161	water tank 35 gallon	.15	19	4769-0638	1/2" b x 1/2" mpt adapter
.25	2	4769-0648	1/2" barb x 1/2" mpt elbow	.30	20	4731D1711	fill spout
.15	3	4731-3058	adjustable hose clamp 3/8"	.15	21	4715-4501	adjustable hose clamp
.25	4	4767-1401	3 way MPT shut off valve	.35	22	4731H1081	water fill hose (3' pc.)
.20	5	4758A5391	tank hanger 11" x 24 1/2"	.20	23	4060050003F	1/2" h.p. hose (sold/ft.)
.20		4758B5391	tank hanger 8" x 24 1/2"	.15	24	4767-1381	nylon bypass hose 8"
.15	6	1218-7001	tank plug	.25	25	4767-1371	1/2" MPT brass tee
.25	7	4769-0618	1/2" x 1/2" barbed elbow	.25	26	4767-1391	brass check valve
.20	8	4769-0598	1/2" barbed line drain	.25	27	4755A4828	1/2" x 1/2" insert coupler
.25	9	4765-2351	1/2" ss clamp m100	.25	28	4769-130	48" water line assy.
25	10	4769-0608	1/2" barbed tee	.25	29	4769-1291	60" water line assy.
.20	11	4769-0628	1/2" b x 1/2" fpt elbow w/nut	.25	30	4769-1318	swivel elbow
.50	12	4741B2071	shower diverter				
*	13	4750-3421	water heater				
.15	14	4732B4561	hose adapter				
.50	15	4741F5571	electric water pump				
.25	16	4747A8311	water filter				
.20	17	4769-0588	1/2" straight swivel adapter				
r.30	18	4732F1521	city fill				

Flat Rate	Portable Water Tank - 4228 Cobalt		
	Code	Part #	Description
.10	1A	4735-2131	water tank 5 gal. (complete)
		4735C0988	water tank decal
	2A	4714-0231	large cap
	3A	4714-0221	small cap & strap
	4A	4714-0241	barb stem & collar
	5A	4714A0671	suction stem

\* Warranted By Vendor

**Dinette Area Cushion/Backrest Assemblies & Covers - 2008 Evolution Series Flat Rate .10 Assembly - .25 Cover**

<u>Model</u>	<u>Cushion Assembly</u>	<u>Cushion Cover</u>	<u>Model</u>	<u>Backrest Assembly</u>	<u>Backrest Cover</u>
4247 E1	4701C5441	4713C5441	4247 E1	4701A5431	4713A5431
4244 E2	4701A7151	4713A7151	4244 E2	4701A7161	4713A7161
4237 E3	4702-5461	4714-5461	4237 E3	4702-5451	4714-5451
4228 Cobalt	4701A6771	4713A6841	4228 Cobalt	4701-6761	4713-6761

**CS Bench Cushion/Backrest Assemblies & Covers**

Plastic Cushion Button x2 - 4710-2681 m5

<u>Model</u>	<u>Cushion Assembly</u>	<u>Cushion Cover</u>	<u>Model</u>	<u>Backrest Assembly</u>	<u>Backrest Cover</u>
4237 E3	4702-1611	4715-1611	4237 E3	4702-1601	4715-1601
<b>Dimensions - 47" x 25" x 4"</b>			<b>Dimensions - 47" x 14" x 3"</b>		

**Dinette Cushion/Backrest Dimensions**

<u>Model</u>	<u>Cushion Assembly</u>	<u>Model</u>	<u>Backrest Assembly</u>
<b>E1</b>	41" x 17" x 4"	<b>E1</b>	40" x 15 1/2" x 3"
<b>E2</b>	39 1/4" x 17 1/2" x 4"	<b>E2</b>	39 1/4" x 16 3/4" x 3"
<b>E3</b>	43 1/4" x 19 3/8" x 4"	<b>E3</b>	42 1/4" x 15 5/8" x 3"
<b>Cobalt</b>	40 5/8" x 17" x 4"	<b>Cobalt</b>	39 1/2" 14" x 4"

**Drape Package - 4247 E1, 4244 E2, 4237 E3, 4228 Cobalt**

**Note: Package includes privacy curtains**

<u>Drape Pkg.</u>	<u># Of Panels</u>	<u>Flat Rate</u>	<u>Model</u>
4701B5461	8	.30	E1
4701A7801	8	.30	E2
4702-5621	8	.30	E3
4701B6641	8	.30	Cobalt

**Drape Tie Package (Qty. 1)**

4701-5471 (All) Flat Rate - .05  
4724A2011 termination (plastic hook) m10

**Shower Curtain - 4244 E2, 4237 E3**

.15 4757-7301 - shower curtain - white vinyl

**Dressing Room Curtain - 4244 E2, 4237 E3**

.15 4702-6131 - dressing room curtain pkg

**Drape Tab C-Shape m60 - 4750-2891 Flat Rate - .05**

**Privacy Curtain Pkgs. (Set of 2 Panels)**

.15 4713B5461 - E1, E2, E3  
.15 4713A6981 - Cobalt

**Single Drape Panel w/Safety Straps**

.15 4713E1241 Single Drape Panel 24" x 47" - E1  
.15 4713E1401 Single Drape Panel 40" x 47" - E1  
.15 4713E3291 Single Drape Panel 29" x 47" - E2  
.15 4713E2211 Single Drape Panel 21 1/2" x 47" - E2, E3  
.15 4713E2321 Single Drape Panel 33" x 47" - E3  
.15 4713A0281 Single Drape Panel 48" x 48 1/2" - Cobalt  
.15 4713A0301 Single Drape Panel 23 1/2" x 48 1/2" - Cobalt

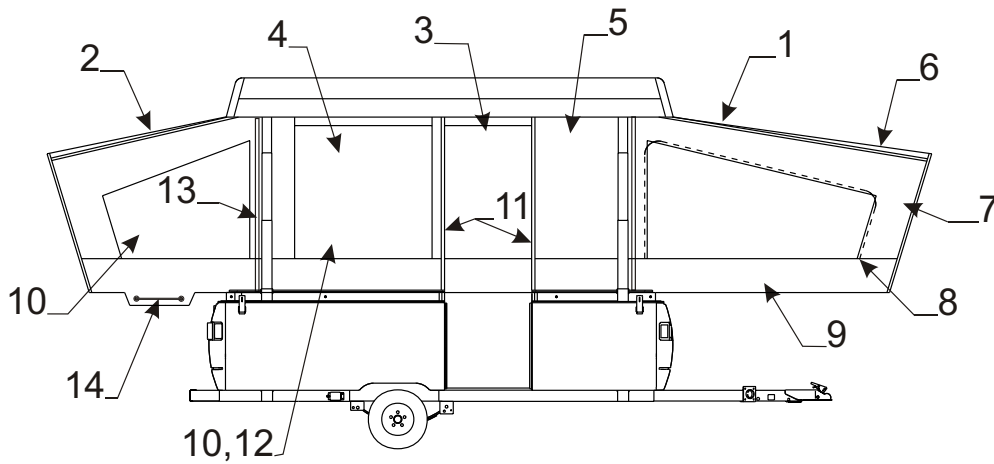
**Flat Rate .50 per cover, .05 Assy.**

**Mattress Assemblies & Covers - E1, E2, E3, Cobalt**

	<u>Matt. assy. front</u>	<u>Matt. Cover front</u>
4247 E1	4701C1641	4714C1641
4244 E2	4701C1631	4714C1631
4237 E3	4702B1441	4714B1441
4228 Cobalt	4702-9091	4713-9091
	<u>Matt. assy. rear</u>	<u>Matt. Cover rear</u>
4247 E1	4701C1631	4714C1631
4244 E2	4701C1641	4714C1641
4237 E3	4702B1441	4714B1441
4228 Cobalt	4702-9101	4714-9101

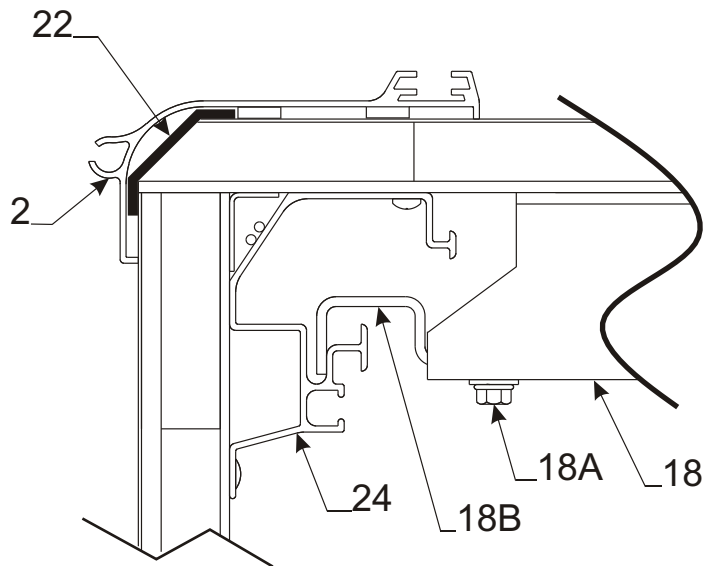
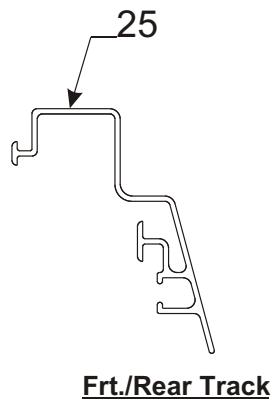
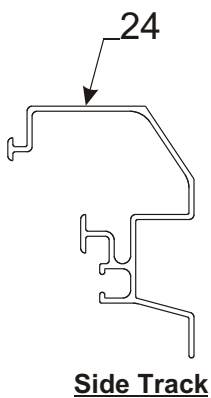
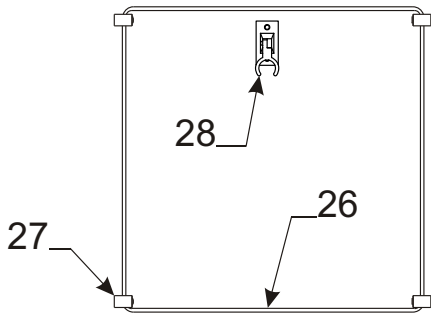
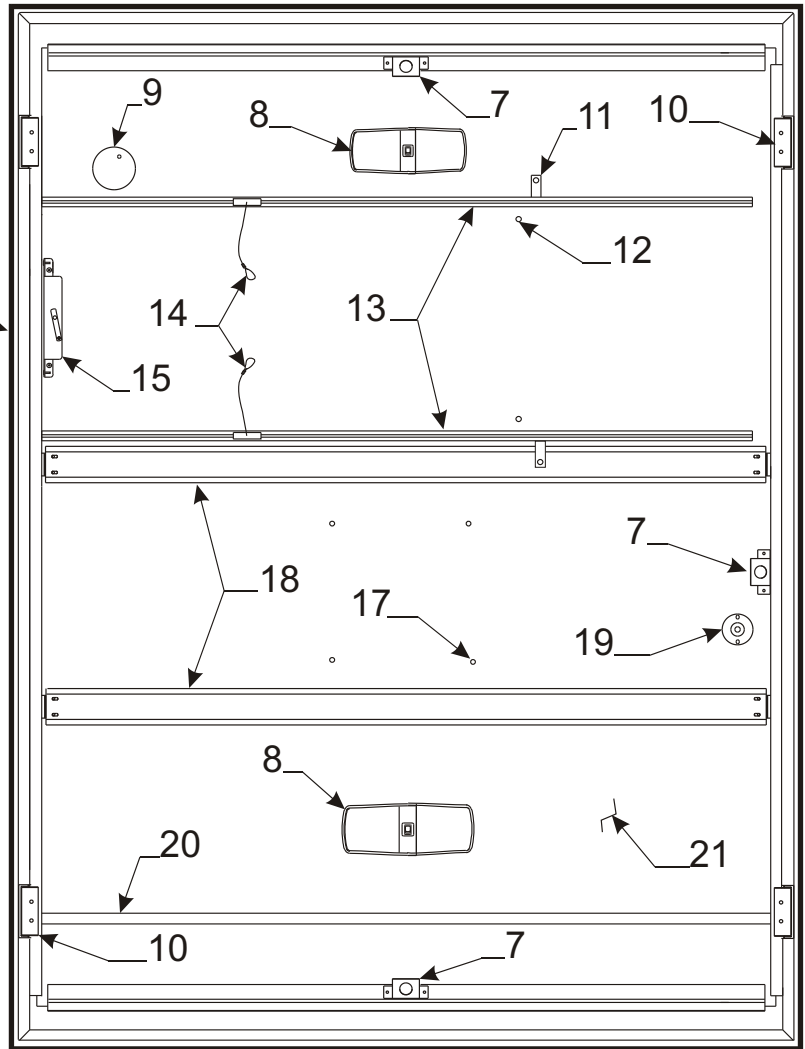
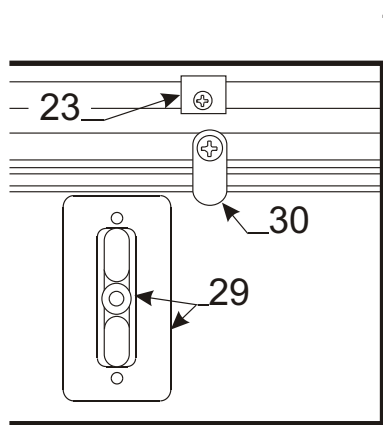
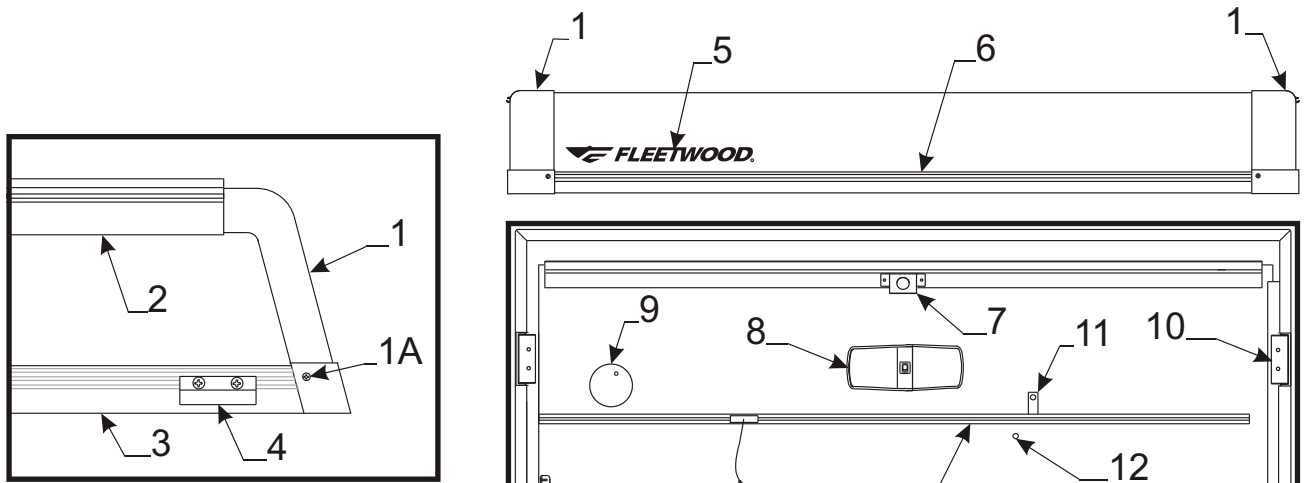
**Mattress Assembly Dimensions**

	<u>Front</u>	<u>Rear</u>
4247 E1	77" x 48" x 4"	77" x 66" x 4"
4244 E2	77" x 66" x 4"	77" x 48" x 4"
4237 E3	77" x 70" x 4"	77" x 70" x 4"
4228 Cobalt	72" x 56" x 3"	72" x 40" x 3"



<b>Flat Rate</b>	<b>Tent Sections &amp; Related Parts - E1, E2, E3, Cobalt</b>		
<b>Code</b>	<b>Part #</b>	<b>Description</b>	
.50	1	4701C5521	double boot (used on frt. of E1, rear of E2)
.50		4702A5561	front king boot 4237 E3
.50		4768-1621	front boot 4228 Cobalt
.50	2	4701C5561	queen boot (used on frt. of E2, rear of E1)
.50		4702A5561	rear king boot 4237 E3
.50		4768-1631	rear boot 4228 Cobalt
.20	3	4701B5541	large window 4247 E1
.20		4701B7361	large window 4244 E2
.40		4702A5551	large window w/glide-out 4237 E3
.20		4768-1641	large window 4228 Cobalt
.20	4	4701B5531	small window 4247 E1
.20		4701B7341	small window 4244 E2
.20		4702A5531	small window 4237 E3
.20		4768-1651	small window 4228 Cobalt
.15	5	4701B5551	door seal 4247 E1
.15		4701B7351	door seal 4244 E2
.15		4702A5541	door seal 4237 E3
.15		4768-1661	door seal 4228 Cobalt
	6	8118501430P	top vinyl pkg. (85" x 3 yards)
	7	4716C0851	sunbrella patch package (12" x 14")
	8	6650500131F	zipper (sold/yard) used around window
		1225A4461	zipper pull m5
	9	8118001440P	black bottom vinyl facing pkg. (3 yd. x 80")
	10	4714E1611	screen package (84" x 3 yards)
		4714A0361	screen package (84" x 13 yards)
	11	4350000009P	1" velcro hook (10' pc. Pkg.)
	12	4716A2401	clear window vinyl (41" x 3 yards)
	13	1225-3678	47 1/2" side zipper pin half - E1, E2, E3
		1225-3688	47 1/2" side zipper slider half - E1, E2, E3
		1225-3658	52 1/2" side zipper pin half - Cobalt
		1225-3668	52 1/2" side zipper slider half - Cobalt
.50	14	4060000245CP	shock cord (150' package)
.50		4714C6021	shock cord & hooks m2 (two 14' lengths)
.15		4724A2011	shock cord termination (plastic hook) m10
	15	4060000024F	arrowhead seal (sold/foot)
.30	16	4735D6721	extension harness - E1, E2, E3
.30		4757-6101	extension wire harness - Cobalt
.50	17	4743-1588	k-kote seam sealer
	18	4728-5641	tent retainer pkg.
.30	19	4710-1011	vinyl daubing "gray" m2
.30		4713-0311	vinyl daubing "black"







4701A5111 Top Assembly 4247 E1  
 4701A7251 Top Assembly 4244 E2  
 4702-5571 Top Assembly 4237 E3

3.00 Top Replacement | 1.50 For A/C | 1.00 For Crossbars | .50 For Disposal

<b>Flat Rate</b>	<b>Code</b>	<b>Part #</b>	<b>Description</b>
.50	1	4713-9031	plastic corner cap csf/rsr (1 cap per pkg.)
.50		4713-9021	plastic corner cap rsf/csr (1 cap per pkg.)
		4356500043P	butyl tape 1" x 3/16" (20' pc.)
		4350000084	foam tape 1/2" wide x 1/4" thick (sold/foot)
		4759-1401	flat head screw 3/4" "stainless steel" m12
	1A	4767-9581	flat head tek screw 3/4" "black" x2
	2	4702A175	canopy/rack track extrusion 4247 E1
		4702A229	canopy/rack track extrusion 4244 E2
		4702B232	canopy/rack track extrusion 4237 E3
	3	4702A170	side seal extrusion 4247 E1
		4702B227	side seal extrusion 4244 E2
		4702A230	side seal extrusion 4237 E3
.15	4	4769-2551	csf top strike (used x1)
.15		4701-0481	top strike m2 (used x3)
		4701A0531	2" torx head screw "painted" m2
		1201B6958	nut (x2 per strike)
		4702-381	strike foam gasket "black" m4
.25	5	4761-1958	Fleetwood logo
	6	4702-1761	end seal extrusion frt./rear (all)
	7	4767A9081	tent support bracket x2
		4733F4136	screw
.15	8	4744E4741	double dome light
.15		4737K5911	single dome light
		4758-1361	light lens
		1103B1028	screw x4
.15	9	4767A4641	carbon monoxide detector
	10	4767-7001	lift pocket x4
		1201B6378	lock nut 1/4-20
.15	11	4723A5061	strap x2
	12	4730A3548	stud w/screw x2
.30	13	4733H47181	screen door track x2
		4744B4611	expansion rivet m25
.15	14	4734D5211	screen door cable m6
.20	15	4749C5571	screen door bracket
		4747-2558	expansion rivet m25
		4749-2138	snap button m2
		1203-8631	rivet m25
.50	16	4060100399P	rubber top seal "sides" (40' package)
.50		4060100398P	rubber top seal "frt./ rear" (16' package)
	17	1203-9258	plastic accordion rivet m25
	18	4800-4811	a/c brace
	18A	4738A0898	hex bolt
		1202E0408	washer
	18B	4800-6861	a/c brace mounting bracket x2
	19	4756A8291	aux. light jack w/rivets
.20	20	4350400004F	vinyl seam tape (sold/foot)
	21	6009435020P	ceiling panel 4' x 8' sheet
	22	4350000047	1/8" x 2 1/2" eterna-bond tape (sold/roll)
.05	23	4750-2891	drape tab c-shape m60
	24	4767-911	side tent/drape track (must cut to size)
	25	4767-910	frt./rear tent/drape track (all)
.10	26	4755A5231	shower curtain rod - E2, E3
.20	27	4755-5211	shower rod strap x4 - E2, E3
.15	28	4767-0111	shower head brkt. - E2, E3
.15	29	4743A2501	screen door latch & plate pkg. (2 per pkg.)
.20	30	4728A5641	tent retaining pkg.

1.50 For A/C | 1.00 For Crossbars | 1.00 For Disposal

Flat Rate	Code	Part #	Description
.50	1	4713-0031	top corner pkg. (pkg. of 4)
		4356500043P	3/16" x 1" butyl tape (20' pc. pkg.)
	2	4758-9921	tek screw "black" m12
.50	3	4701-8261	canopy track "side" (must cut to size)
1.00	4	4701-04991	center seam (must cut to size)
		4060400097F	vinyl screw cover (sold/foot)
		1103B0808	tapping screw #8 x 1/2"
		4354700034P	1/8" x 3/4" butyl tape (20' pc. pkg.)
.50	5	4701-490	frt./rr. seal extrusion
.15	6	4701-0481	top strike m2
		4701-0531	torx head screw "black" m12
		1201B6958	nut (x2 per strike)
.15	7	4741F11381	tent support brkt.
		4741C9368	screw "painted" x2
.15	8	4737K5911	single dome light
		4758-1361	dome light lens
		1103B1028	screw x4
	9	4737-3211	rubber button m8
.30	10	4733H47181	screen door track x2
		4744B4611	expansion rivet m25
.20	11	4749C5571	screen door bracket
		4747-2558	expansion rivet m25
		4749-2138	snap button m2
		1203-8631	rivet m25
.15	12	4734D5211	screen door cable m6
	13	4730A3548	stud w/screw x2
.15	14	4723A5061	strap x2
.30	15	4060000093P	frt./rear tent track
		1103E1018	screw stainless steel
	16	1203-9258	plastic accordion rivet m25
	17	4754A9831	side cove x2 (must cut to size)
		4747-2558	expansion rivet m25
.20	18	4350400004F	vinyl tape (sold/foot)
	19	4767-3841	cove front/rear (must cut to size)
		4747-2558	expansion rivet m25
.30	20	4754B9851	side tent track (must cut to size)
		1103E1018	screw stainless steel
.20	21	4747D5521	lift pocket cover x4 (all)
		4741D3558	hole plug x2
		4351400005F	velcro loop (sold/yard)
.25	22	4741B5431	lift pocket x4
		1201B6378	lock nut ( x2 per pocket)
.15	23	4743-2501	plastic screen dr. latch pkg.
		Note: pkg. includes (2) latches & mounting hardware	
.50	24	4060100399P	rubber top seal (40' package)
	25	4728A5641	tent retaining pkg.
.05		4750-2891	drape tab c-shape m60
		4738-3088	screw
.75	26	4701-489	side seal extrusion 4128 Cobalt
.25	27	4761-1958	fleetwood decal
.15	28	4767A4641	carbon monoxide detector
	29	6009435020P	ceiling panel 4' x 8' sheet

