



**2008**

**Destiny Series  
Repair Parts Catalog**

4275 Taos 8'

4276 Sedona 8'

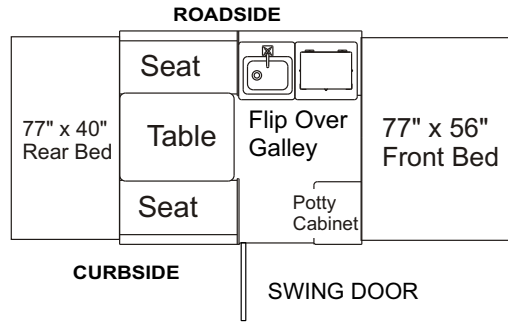
4256 Yuma 9 1/2'

4288 Sea Pine 11'

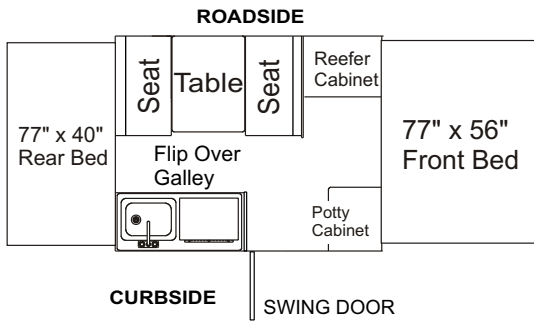
4227 Westlake 12'

# 2008 DESTINY SERIES

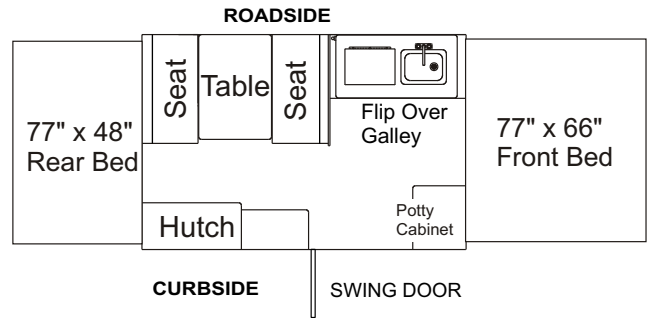
## 4275 Taos 8'



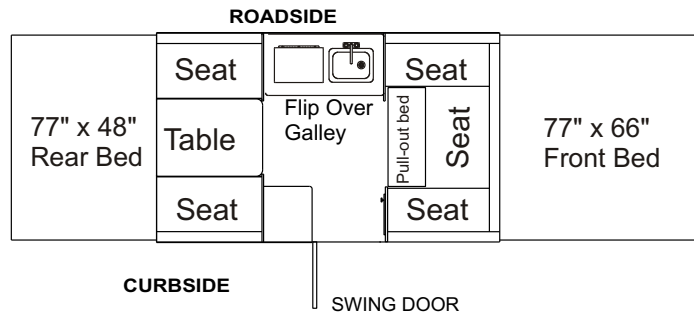
## 4276 Sedona 8'



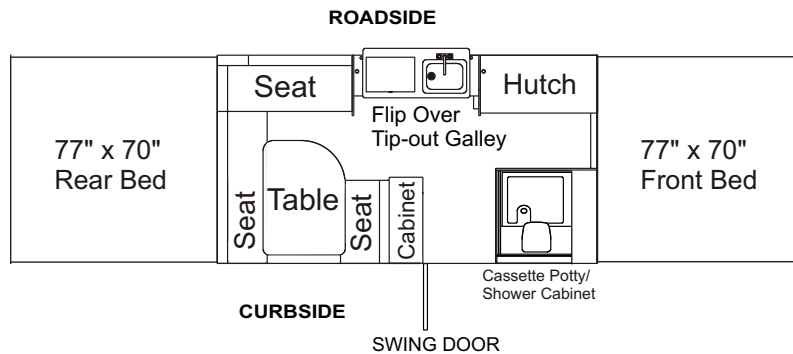
## 4256 Yuma 9 1/2'



## 4288 Sea Pine 11'

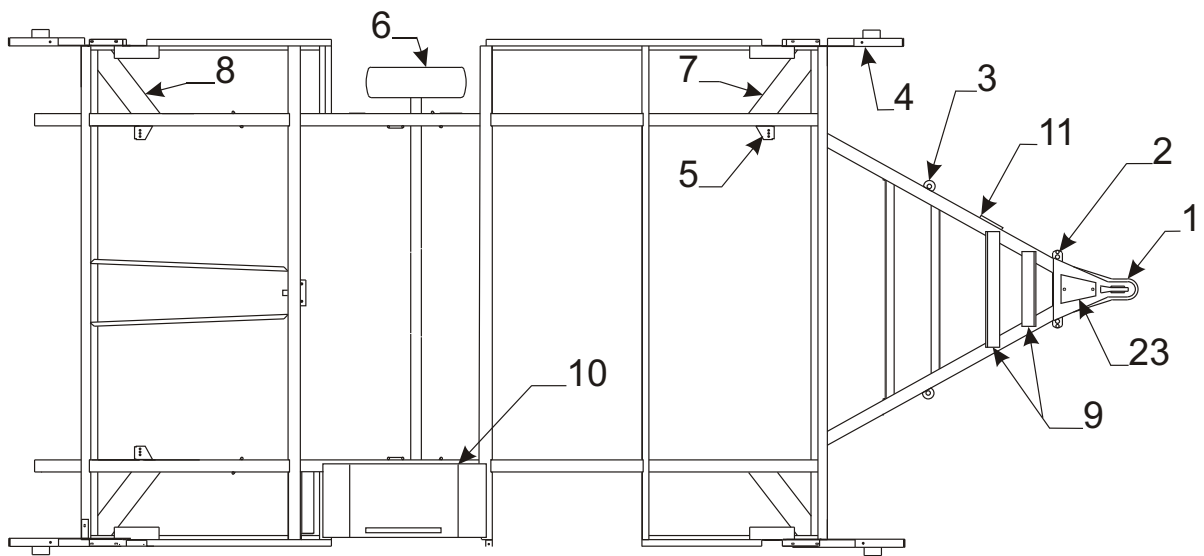


## 4227 Westlake 12'

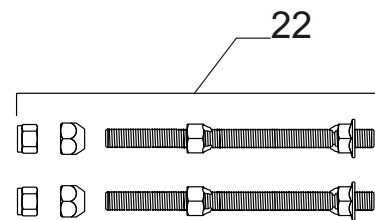
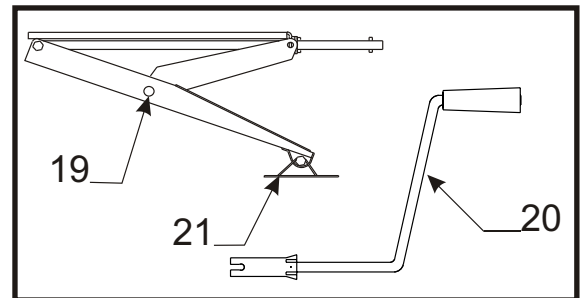
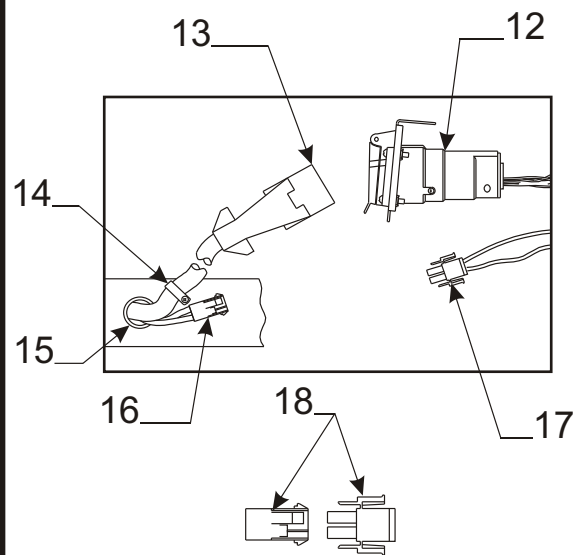


## TABLE OF CONTENTS

| <u>DESCRIPTION</u>   | <u>PAGE</u> | <u>DESCRIPTION</u>                                      | <u>PAGE</u>  |
|--|-------------|---|--------------|
| Access door key .....                                      | 30          | Potty curtain - <b>4289, 4278, 4281</b> .....           | 33           |
| Access door assembly & related parts .....                 | 9           | Potty hatch door - <b>4289, 4278, 4281</b> .....        | 8            |
| Auto extension .....                                       | 13          | Power cord (converter) .....                            | 22           |
| Axle assemblies & related parts .....                      | 3           | Power lift components .....                             | 5            |
| Backrest assemblies & covers .....                         | 32          | Receptacle (exterior) .....                             | 8            |
| Bed assemblies.....  | 28          | Receptacle (interior) .....                             | 22           |
| Bed extensions & related parts .....                       | 28          | Refrigerator vents .....                                | 10           |
| Body panel right rear (curbside) .....                     | 8           | Regulator & fittings .....                              | 31           |
| Body panel left side (roadside) .....                      | 10          | Safety chains .....                                     | 30           |
| Body panel left side glide-out (roadside) .....            | 10          | Screen door & related parts .....                       | 19           |
| Body panel front & rear (plastic) .....                    | 7           | Seat bench component parts .....                        | 26           |
| Body panel right front (curbside) .....                    | 9           | Seat bench "rear center" - <b>Bayside</b> .....         | 25           |
| Body panel frt. (storage box units) .....                  | 7           | Shower curtain - <b>Williamsburg</b> .....              | 33           |
| Bumper & related parts .....                               | 7           | Shower curtain rod - <b>Williamsburg</b> .....          | 35           |
| Cabinet assembly (csf corner cabinets) .....               | 23          | Shower stall w/potty - <b>Williamsburg</b> .....        | 20           |
| Cabinet assy. "rsr corner cab." - <b>4250, 4281</b> .....  | 21          | Shower head & hose (Inside shower) .....                | 20           |
| Cabinet/potty assy. csf - <b>4289, 4278, 4281</b> .....    | 24          | Shower (Outside shower assy.) .....                     | 10           |
| Caulking .....   | 13          | Sink & related parts .....                              | 12           |
| Converter & related parts .....                            | 22          | Spare tire cover (black vinyl) .....                    | 2            |
| Corner bulkhead assembly .....                             | 2           | Spare tire mount package .....                          | 2            |
| Coupler assembly .....                                     | 2           | Stabilizer assembly .....                               | 2            |
| Crank components (upper crank) .....                       | 5           | Stabilizer handle/lug wrench combo .....                | 30           |
| Crank handle .....   | 30          | Storage box components .....                            | 6            |
| Cushion assemblies & covers .....                          | 32          | Stove components (upper galley) .....                   | 12           |
| Door bulkheads .....                                       | 8           | Stove (high pressure outdoor stove) .....               | 14           |
| Drain assy./drain hose (used on sinks) .....               | 12          | Table assemblies & related parts .....                  | 13           |
| Drape packages & related parts .....                       | 31          | Taillights (rear body panel) .....                      | 7            |
| Drawer assembly components .....                           | 20          | Tent support assemblies & related parts .....           | 27           |
| Electric brakes & related parts .....                      | 3           | Tenting & related parts (sunbrella) .....               | 33           |
| Fire extinguisher & components .....                       | 22          | Thermostat (Hydro Flame) .....                          | 22           |
| Floor covering .....                                       | 2           | Thrust bearing/nut .....                                | 4            |
| Frame assembly & related parts .....                       | 2           | Tie backs (curtains) .....                              | 33           |
| Gas detector .....   | 22          | Tip-out/Glide-out tent bow & support .....              | 27           |
| Gas hose (gas bottle hook-up) .....                        | 31          | Tire & rim .....  | 2            |
| Gas bottle mounting brackets .....                         | 30          | Tire cover "black vinyl" .....                          | 2            |
| Gas quick disconnect (outside h.p. stove) .....            | 31          | Tongue jack & related parts .....                       | 2            |
| Gas bottle cover (black vinyl) .....                       | 31          | Top assemblies & related parts .....                    | 34, 35       |
| Gas bottle & related parts .....                           | 31          | Trim tape kits .....                                    | 7,8,9,10     |
| Glide-out components .....                                 | 11          | Upper crank assy. & components .....                    | 5            |
| Glide-out tent bow & support .....                         | 27          | Upper galley compts - <b>4289, 96, 50, 78, 81</b> ..... | 16           |
| Grease cap (EZ lube cap) .....                             | 3           | Upper galley components - <b>Sun Valley</b> .....       | 17           |
| Hub assembly & related parts .....                         | 3           | Upper cs vanity cab. components - <b>Bayside</b> .....  | 18           |
| Hutch assembly roadside - <b>Sun Valley</b> .....          | 21          | Valance package .....                                   | 33           |
| Hutch assembly csr - <b>Santa Fe</b> .....                 | 24          | Water heater .....                                      | 29           |
| Hutch/Seat assy. csr - <b>Cheyenne, Utah</b> .....         | 23          | Water faucet .....                                      | 16, 17       |
| Hutch assy. doorway lt. - <b>Sun Valley</b> .....          | 23          | Water system & related parts .....                      | 29           |
| Lift assemblies & related parts .....                      | 4           | Wheel well .....  | 2            |
| Lift trim & miter covers .....                             | 8, 9        | Whiffletree & related parts .....                       | 4            |
| Lower galley assy. - <b>4289, 96, 50, 78, 81</b> .....     | 16          | Zippers (tenting assemblies) .....                      | 33           |
| Lower galley components - <b>Sun Valley</b> .....          | 17          |   |              |
| Lower cs vanity cabinet components - <b>Bayside</b> .....  | 18          | Axle/Brakes - Dexter .....                              | 574/295-7888 |
| Lug wrench .....   | 30          | Cassette Potty - Thetford .....                         | 800/354-4135 |
| Mattress assemblies & covers .....                         | 28          | Converter - World Friendship Co. ....                   | 800/900-2468 |
| Outside shower assy. ....                                  | 10          | Furnace - Hydro Flame #7916-11 .....                    | 800/546-8759 |
| Paint (spray & quart can) .....                            | 13          | Hand pump - Leisure Components.....                     | 562/865-0401 |
| Paneling & trim .....                                      | 13          | Power Lift - Barker .....                               | 888/367-6978 |
| Parts package & components .....                           | 30          | Refrigerator - Dometic .....                            | 800/216-5115 |
| Pigtail (car end) .....                                    | 2           | Oven/Range - Atwood Greenbrier .....                    | 800/646-8557 |
| Potty cabinet curbside frt. - <b>4289, 4278, 4281</b> .... | 24          | Stove (high pressure) - Atwood .....                    | 574/264-2131 |
| Potty "cassette" .....                                     | 20, 24      | Stove (low pressure) - Suburban .....                   | 423/775-2131 |
|  |             | Tires - Kenda .....                                     | 800/225-4714 |
|  |             | Water heater - Suburban #5031E .....                    | 423/775-2131 |
|  |             | Yakima bike rack - to obtain repair parts .             | 800/925-4621 |



| Flat Rate | Code | Part #      | Description                          |
|-----------|------|-------------|--------------------------------------|
| 1.50      | 1    | 4772-4231   | coupler assembly 2"                  |
| .75       | 2    | 4748-6611   | chain bar w/pins                     |
| .50       | 3    | 4758-0381   | bed leg pin & washer                 |
| .10       |      | 4747-8941   | pin cover m2 (plastic)               |
| 2.00      | 4    | 4769-5451   | corner bulkhead csf/rsr 4256, 88, 27 |
| 2.00      |      | 4769-5441   | corner bulkhead rsf/csr 4256, 88, 27 |
| 2.00      |      | 4747B5501   | corner bulkhead csf/rsr 4275 Taos    |
| 2.00      |      | 4747B5511   | corner bulkhead rsf/csr 4275 Taos    |
| 2.00      |      | 4769A653    | corner bulkhead csf/rsr 4276 Sedona  |
| 2.00      |      | 4769A654    | corner bulkhead rsf/csr 4276 Sedona  |
|           |      | 1203C8751   | rivet m25 (rivet bulkhead to frame)  |
| .75       | 5    | 4732E3671   | adjustable pulley brkt. x4           |
| .50       |      | 4715A5371   | pulley & bearing m10                 |
|           |      | 4720C1578   | short pin m4                         |
|           |      | 1204B1081   | cotter pin m10                       |
| .25       | 6    | 4757A2468   | tire & rim 13" 4288, 4227            |
| .25       |      | 4754C1558   | tire & rim 12" lr "C" 4256, 75, 76   |
|           |      | 4747G4841   | black vinyl tire cover 12" tire      |
|           |      | 4723G3161   | black vinyl tire cover 13" tire      |
|           | 7    | 4755B6651   | stabilizer gusset rsf/csr            |
|           | 8    | 4755B6641   | stabilizer gusset csf/rsr            |
|           | 9    | 4716A7151   | frt./rear battery angle pkg.         |
| 2.00      | 10   | 4759-0931   | wheel well assy. x2 4256, 88, 27     |
| 2.00      |      | 4755B7301   | wheel well assy. x2 4275, 4276       |
|           |      | 4060000589P | bulb seal "black" (6' pc. pkg.)      |
| .75       | 11   | 4720B3331   | jack bracket (welded to tongue)      |
|           | 12   | 4746A5591   | pigtail - "car end" (Bargman plug)   |
|           | 13   | 4716-5871   | wire harness repair kit              |
|           | 14   | 1201-8738   | 3/8" clamp                           |
|           |      | 1203C8721   | steel rivet m25                      |
|           | 15   | 4742-8108   | 1 1/4" snap bushing                  |
|           | 16   | 4716A5001   | 12 volt power harness                |
| .15       | 17   | 4749B5531   | 12 volt wire harness m2              |
|           | 18   | 4716A4701   | 12 volt cap & plug m2                |
| .25       | 19   | 4751B3351   | stabilizer (screw down)              |
|           | 20   | 4747G4141   | crank handle                         |
| .10       | 21   | 4755A6841   | sand shoe (pkg. of 4)                |
| .25       | 22   | 4772A4101   | spare tire mount kit                 |
|           | 23   | 4767A8731   | coupler hole cover plate             |



\* 6610007211P floor covering pkg. (7 1/2' x 14')

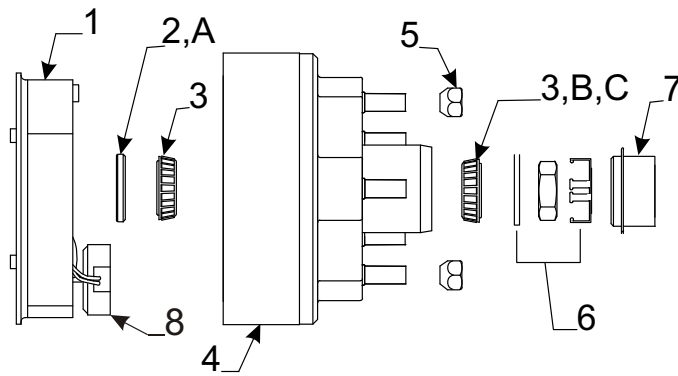
\* Prior Authorization Needed From Factory

Flat Rate .50 Per Side

Electric Brake Pkg. 7" x 1 1/4" (4714H2011)

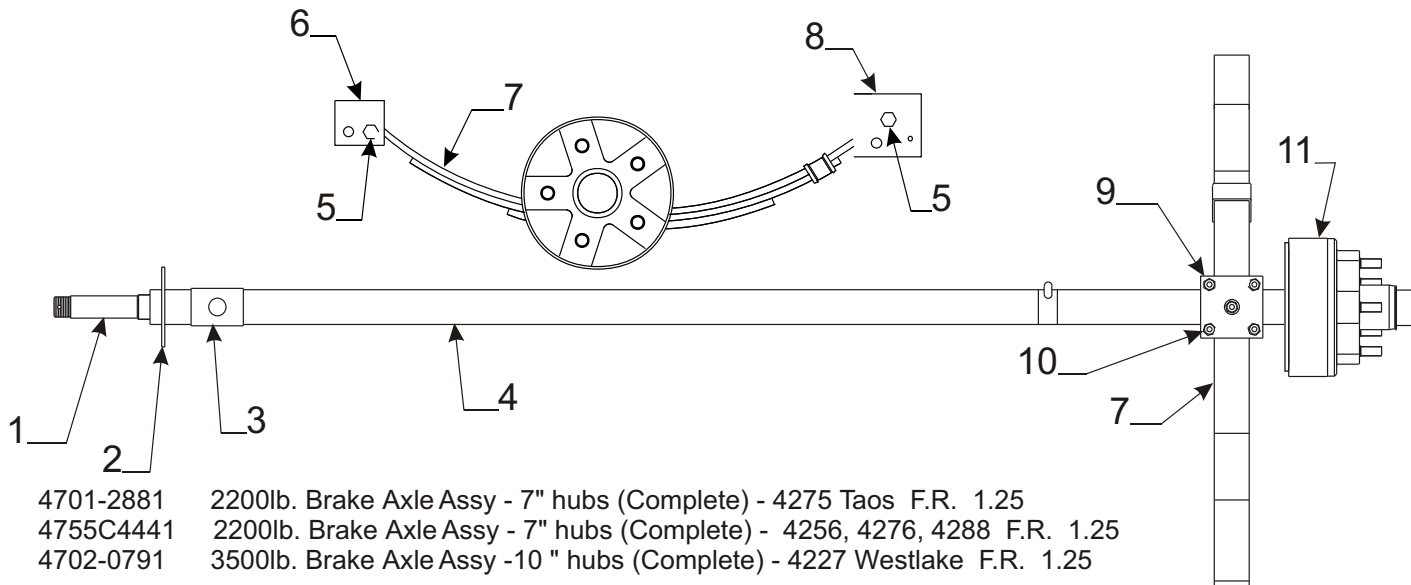
Electric Brake Pkg. 10" x 2 1/4" (4714J2011)

| Flat Rate | Code | Part #    | Description                     |
|-----------|------|-----------|---------------------------------|
| .50       | 1    | 4733A3521 | 7" brake assembly (right hand)  |
| .50       |      | 4733A3531 | 7" brake assembly (left hand)   |
| .50       |      | 4716-6251 | 10" brake assembly (right hand) |
| .50       |      | 4716-6261 | 10" brake assembly (left hand)  |
| .50       | 2    | 4714A2201 | 7" grease seal x1 m4            |
| .50       |      | 4716-1441 | 10" grease seal x1 m4           |
| .50       | 3    | 4716-1101 | 7" bearing, race & seal pkg.    |
| .50       |      | 4716-1451 | 10" bearing, race & seal pkg.   |
| .30       | 4    | 4716A1071 | 7" hub & drum x2                |
| .30       |      | 4716-1431 | 10" hub & drum x2               |
| .05       | 5    | 4747A9528 | lug nuts x5                     |
| .10       | 6    | 4714A3061 | retainer package                |
| .05       | 7    | 4714C0621 | EZ lube grease cap m4           |
| .40       | 8    | 4716-2881 | 10" magnet, spring & clip pkg.  |



**Crossover Numbers To Purchase Locally**

- A** 13194TM or 198138SP21 Grease Seal (7" hub)  
171255VB Grease Seal (10" hub)
- B** L44649 Bearing (7" hub x2/ 10" hub x1 "outer")  
L68149 Bearing (large inner x1 10" hub only)
- C** L44610 Race (7" hub x2/10" hub x1 "outer")  
L68111 Race (large inner x1 10" hub)

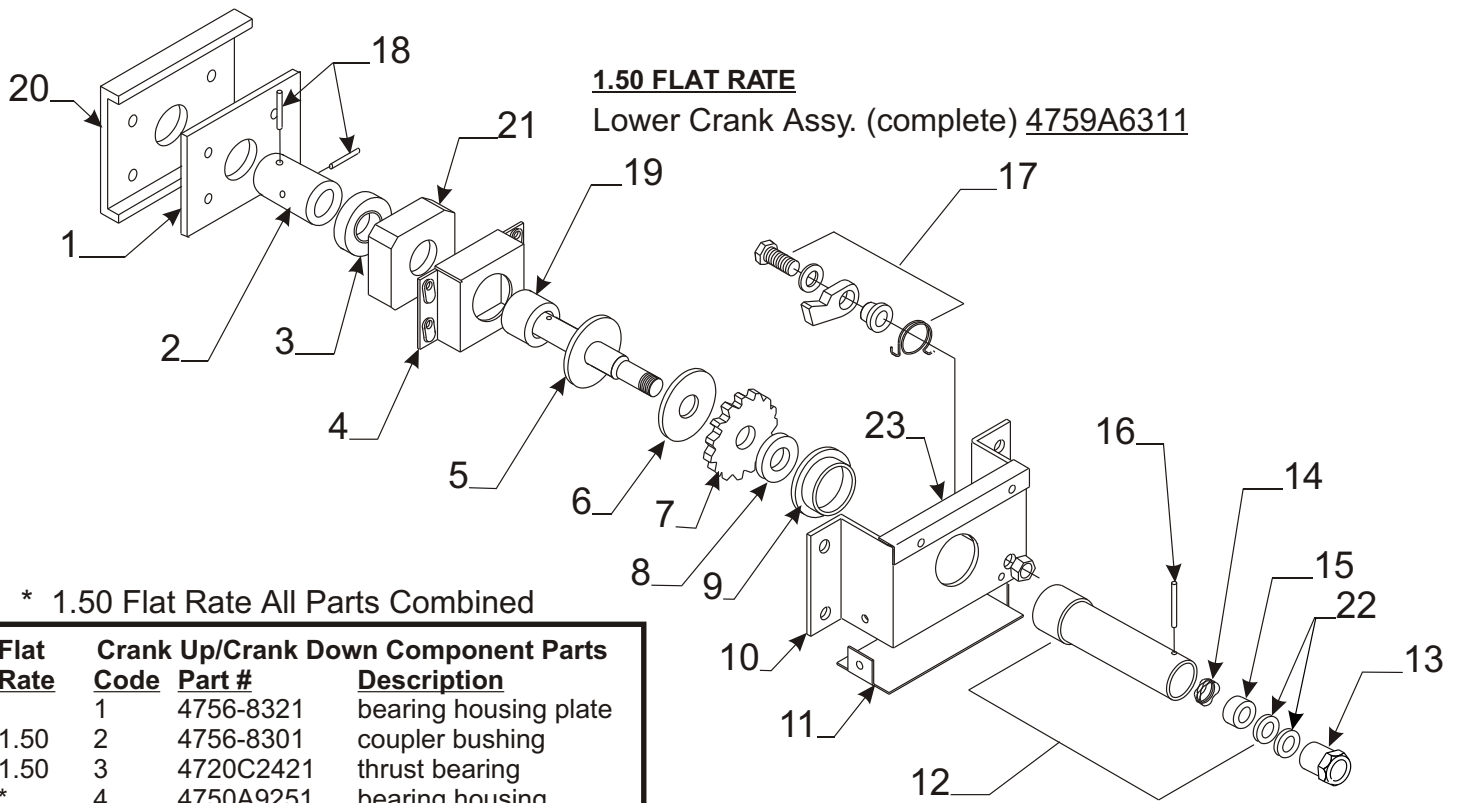


|           |  |      |
|-----------|--|------|
| 4701-2881 | 2200lb. Brake Axle Assy - 7" hubs (Complete) - 4275 Taos F.R.        | 1.25 |
| 4755C4441 | 2200lb. Brake Axle Assy - 7" hubs (Complete) - 4256, 4276, 4288 F.R. | 1.25 |
| 4702-0791 | 3500lb. Brake Axle Assy - 10" hubs (Complete) - 4227 Westlake F.R.   | 1.25 |

**NOTE: limited parts stocked for 3500LB. Dexter Axle, for required part (s) phone - 219/295-1900**

| Flat Rate | Code | Part #    | Description               | Flat Rate | Code | Part #  | Description                  |
|-----------|------|-----------|---------------------------|-----------|------|---|------------------------------|
| *         | 1    | 4741B8491 | spindle - 2200 lb. axle   | .75       | 7    | 4735G2201   | leaf spring 4256, 88,76      |
| *         | 2    | 4741A8471 | brake plate               | .75       |      | 4735H22081  | leaf spring 4227 Westlake    |
| *         | 3    | 4741-8461 | spring pad channel m2     | .75       |      | 4735D2201   | lead spring 4275 Taos        |
| 1.00      | 4    | 4716F6251 | axle beam - 2200 lb. axle | 2.00      | 8    | 4741C3398   | spring shackle (front)       |
| .25       | 5    | 4737A1318 | shackle bolt              | .50       | 9    | 4741-8458   | u-bolt plate - 2200 lb. Axle |
|           |      | 4741-9498 | shackle bolt nut          |           | 10   | 4741-9358   | u-bolt nut - 2200 lb. axle   |
| 2.00      | 6    | 4741A3398 | spring shackle (rear)     |           | 11   | <b>Note: refer above for hub &amp; components</b> |                              |

**\* PRIOR AUTHORIZATION NEEDED FROM FACTORY**



**1.50 FLAT RATE**

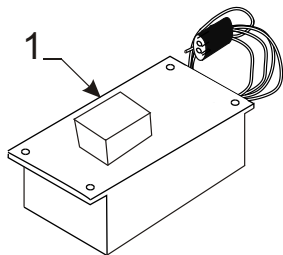
Lower Crank Assy. (complete) 4759A6311

\* 1.50 Flat Rate All Parts Combined

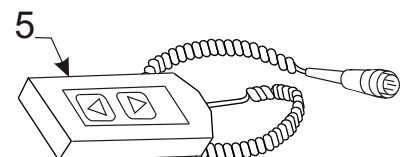
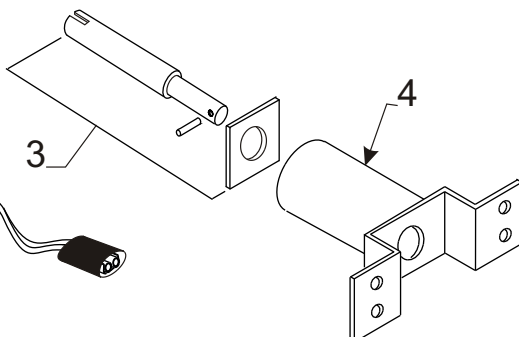
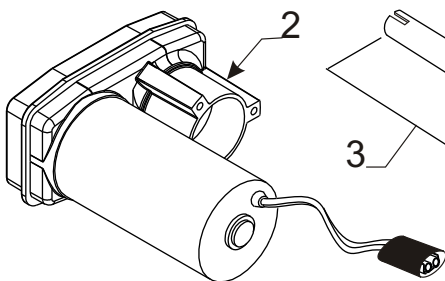
| Flat Rate | Crank Up/Crank Down Component Parts Code | Part #    | Description           |
|-----------|--|-----------|-----------------------|
|           | 1  | 4756-8321 | bearing housing plate |
| 1.50      | 2  | 4756-8301 | coupler bushing       |
| 1.50      | 3  | 4720C2421 | thrust bearing        |
| *         | 4  | 4750A9251 | bearing housing       |
|           |  | 4738A0898 | hex bolt x4           |
| *         | 5  | 4751A3701 | drive shaft & nut     |
| *         | 6  | 4751-3561 | pressure plate        |
| *         | 7  | 4751-4831 | ratchet wheel         |
| *         | 8  | 4751-3581 | pressure washer       |
| *         | 9  | 4751A3591 | shaft bushing         |
| *         | 10                                       | 4751B3691 | crank housing         |
|           |  | 4731-3878 | hex head bolt x4      |
|           |  | 1201B6038 | lock nut x4           |
| *         | 11                                       | 4751-3721 | housing cover plate   |
|           |  | 1203-8641 | rivet m25             |
| .75       | 12                                       | 4716A1741 | drive hub ext. pkg.   |

Note: pkg. Includes parts marked w/\* asterisk

| FR   | Code | Part #     | Description                 |
|------|------|------------|-----------------------------|
|      | 13   | *4751B3551 | 5/8" nut                    |
| .50  | 14   | *4752-3921 | handle spring x1 m2         |
| .50  | 15   | *4751-4671 | nylon washer x1             |
| .10  | 16   | *4747A9451 | spiral roll pin x1 m6       |
| .60  | 17   | 4716-1221  | ratchet pawl pkg.           |
| 1.00 | 18   | 4744B1301  | shear pin x1 m10            |
| 1.50 | 19   | 4756A8311  | spacer bushing              |
|      | 20   | 4720F2411  | plate "painted"             |
| 1.50 | 21   | 4756-8441  | bearing house square spacer |
|      | 22   | 4757-3938  | washer x2                   |
|      | 23   | 4767-008   | crank cover "top"           |



| Flat Rate | Power Lift Components Code | Part #    | Description                     |
|-----------|----------------------------|-----------|---------------------------------|
| .25       | 1                          | 4768A0681 | current limiter                 |
| 1.50      | 2                          | 4767B6461 | power head motor                |
| 1.50      | 3                          | 4768-0851 | 6" adapter, pin & square washer |
| 1.50      | 4                          | 4768-0671 | mounting weldment               |
| .05       | 5                          | 4768A0691 | hand controller                 |



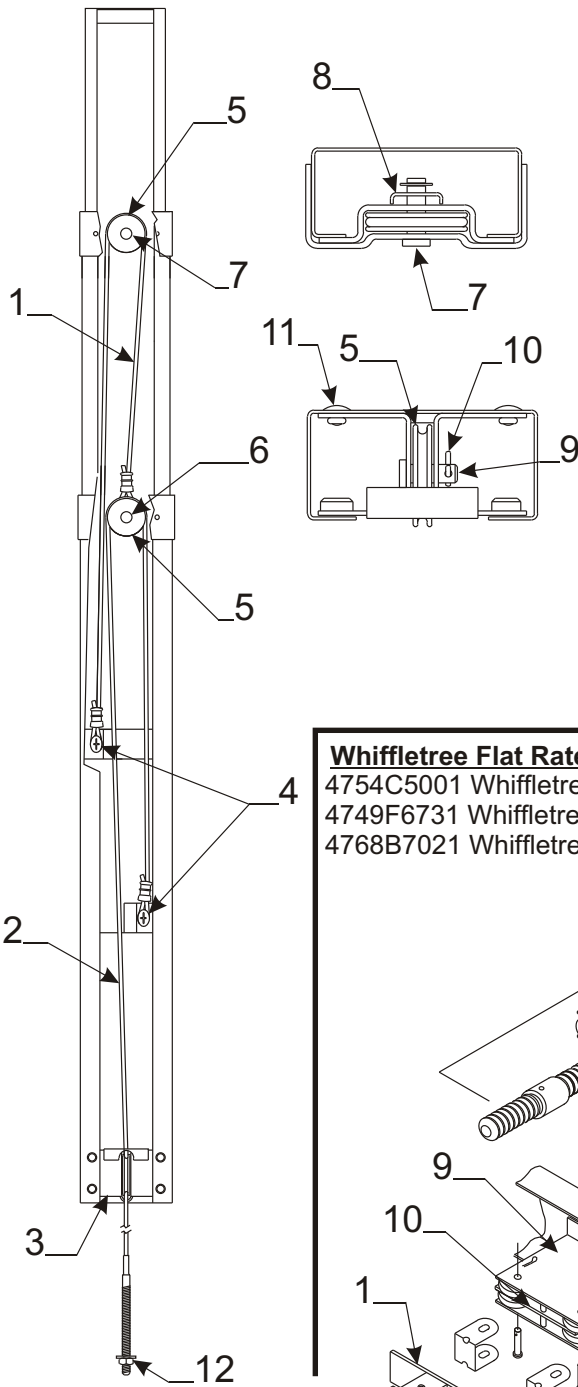
**1.25 Lift Assy. Flat Rate**

4716A0031 lift assembly roadside rear/curbside front - **All except Taos**

4716A0041 lift assembly roadside front/curbside rear - **All except Taos**

4716-0051 lift assy. roadside rear/curbside front - **4275 Taos**

4716-0061 lift assy. roadside front/curbside rear - **4275 Taos**



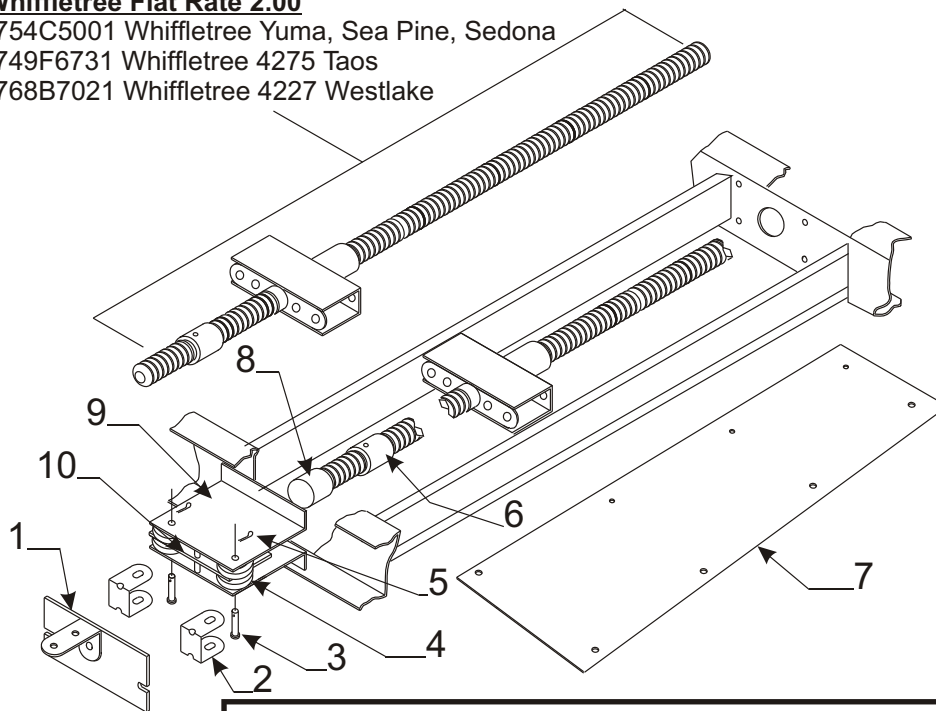
| Flat Rate | Lift Assembly Code | Component Part # | Description                                |
|-----------|--------------------|------------------|--|
| .75       | 1                  | 4720D5271        | cable assy. x1 m2 - <b>All except Taos</b> |
| .75       |                    | 4720C5271        | cable assy. x1 m2 - <b>Taos only</b>       |
|           |                    | 4720C1691        | cable crimp m20                            |
| 1.25      | 2                  | 4773A2291        | 225 3/4" long cable & crimp (All)          |
|           |                    | 4744-1318        | copper cable crimp m10                     |
| 1.25      | 3                  | 4731C5801        | butterfly bracket assy.                    |
| .05       | 4                  | 4749-2081        | screw m6                                   |
| .50       | 5                  | 4715A5371        | steel pulley & bearing m10                 |
| .25       | 6                  | 4747-8931        | long pin x2                                |
|           |                    | 4730B0981        | retaining ring m12                         |
| .25       | 7                  | 4749-4061        | short pin m4                               |
|           |                    | 4730B0981        | retaining ring m12                         |
| .25       | 8                  | 4749A2028        | retaining clip                             |
| .45       | 9                  | 4720C1578        | lift pin m4                                |
|           | 10                 | 1204B1081        | cotter pin m10                             |
|           | 11                 | 1203-8641        | rivet m25                                  |
|           | 12                 | 1201B6378        | 1/4" lock nut                              |
|           |                    | 1202E0408        | washer                                     |

**Whiffletree Flat Rate 2.00**

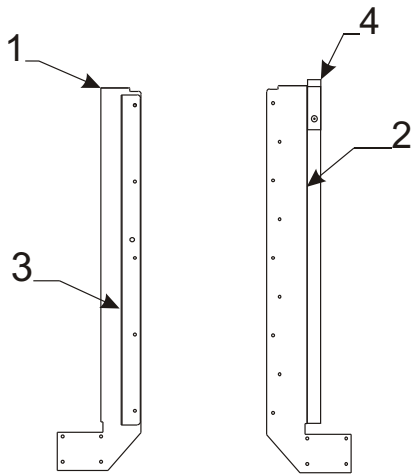
4754C5001 Whiffletree Yuma, Sea Pine, Sedona

4749F6731 Whiffletree 4275 Taos

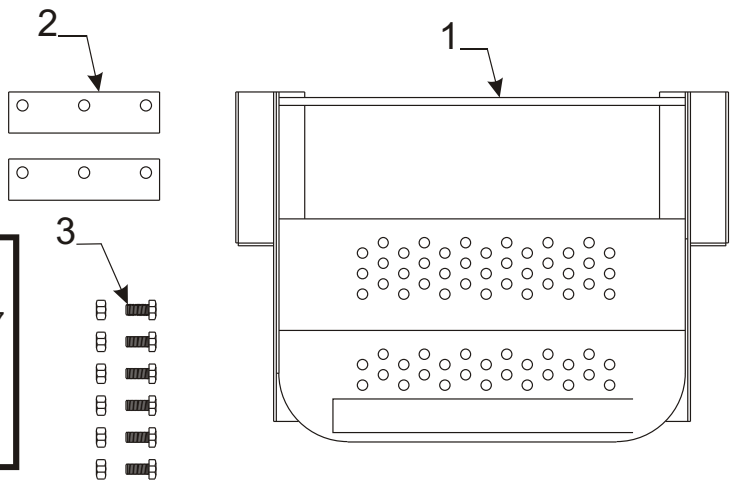
4768B7021 Whiffletree 4227 Westlake



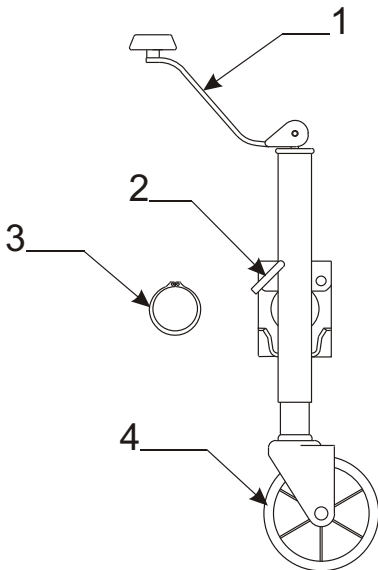
| Flat Rate | Whiffletree Code | Related Part # | Description                           |
|-----------|------------------|----------------|---------------------------------------|
| .15       | 1                | 4749A821       | mud flap & brkt.                      |
| .50       | 2                | 4744B1741      | cable retainer x2                     |
| .20       | 3                | 4720J1561      | long pin m4                           |
| .50       | 4                | 4715A5371      | pulley & bearing m10                  |
| .10       | 5                | 1204B1081      | cotter pin m10                        |
| 1.60      | 6                | 4710B4248      | 3/4" bushing                          |
| 1.60      | 6                | 4773-8808      | 2 1/4" bushing                        |
|           |                  | 4744B1301      | solid shear pin 1" m10                |
| .25       | 7                | 4752B4921      | whiffletree pan cover                 |
|           |                  | 4755-4611      | tek screw m25 (fasten cover in place) |
| 2.00      | 8                | 4730D1291      | screw socket (welded)                 |
| 2.00      | 9                | 4720-1551      | pulley plate                          |
| .50       | 10               | 4715D5661      | pulley spacer                         |



| <b>Door Bulkheads &amp; Components</b> |             |               |                                  |
|--|-------------|---------------|----------------------------------|
| <u>Flat Rate</u>                       | <u>Code</u> | <u>Part #</u> | <u>Description</u>               |
| 1.25                                   | 1           | 4754F6201     | csr bulkhead 4256, 4288, 4227    |
| 1.25                                   |             | 4769-6971     | csr bulkhead 4276 Sedona         |
| 1.25                                   |             | 4747A0101     | csr bulkhead 4275 Taos           |
| 1.25                                   | 2           | 4754A6191     | csf bulkhead 4256, 4288, 4227    |
| 1.25                                   |             | 4769-6961     | csf bulkhead 4276 Sedona         |
| 1.25                                   | 3           | 4747A0091     | csf bulkhead 4275 Taos           |
| .35                                    |             | 4754C2111     | door seal angle 4256, 4288, 4227 |
| .35                                    |             | 4749B3881     | door seal angle 4275 Taos        |
| .35                                    |             | 4754B2111     | door seal angle 4276 Sedona      |
|  |             | 4733D0601     | rivet m25 "white"                |
|  | 4           | 4748B411      | bed ramp brkt. 4275              |

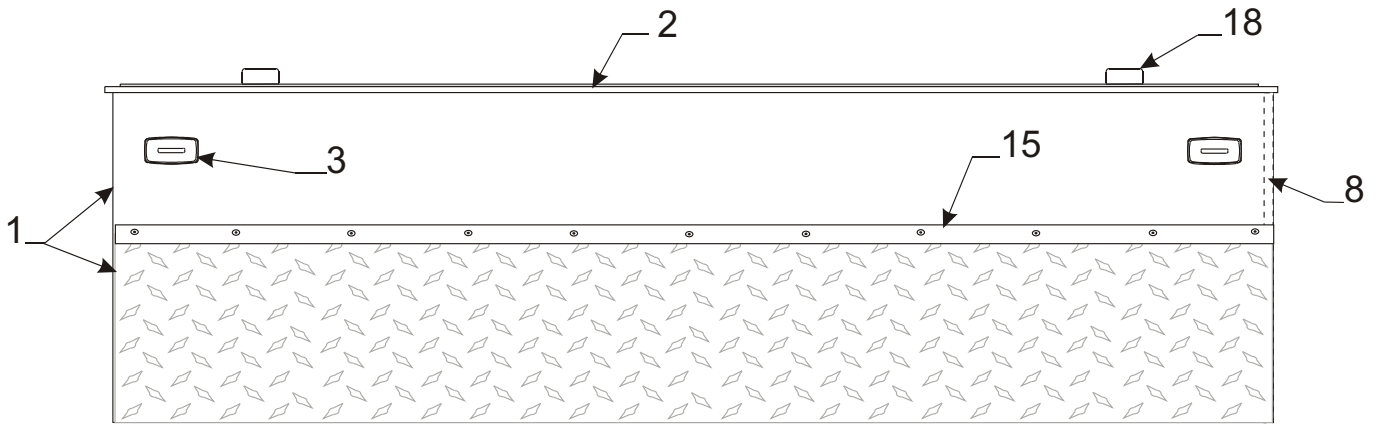


| <b>Pullout Step Components</b> |             |               |                       |
|--------------------------------|-------------|---------------|-----------------------|
| <u>Flat Rate</u>               | <u>Code</u> | <u>Part #</u> | <u>Description</u>    |
| .50                            | 1           | 4747B9741     | step 4256, 76, 88, 27 |
| .50                            |             | 4701B6821     | step 4275 Taos        |
|                                | 2           | 4750-3361     | step shim x2          |
|                                | 3           | 1200B3048     | bolt x6               |
|                                |             | 1201B6068     | nut x6                |



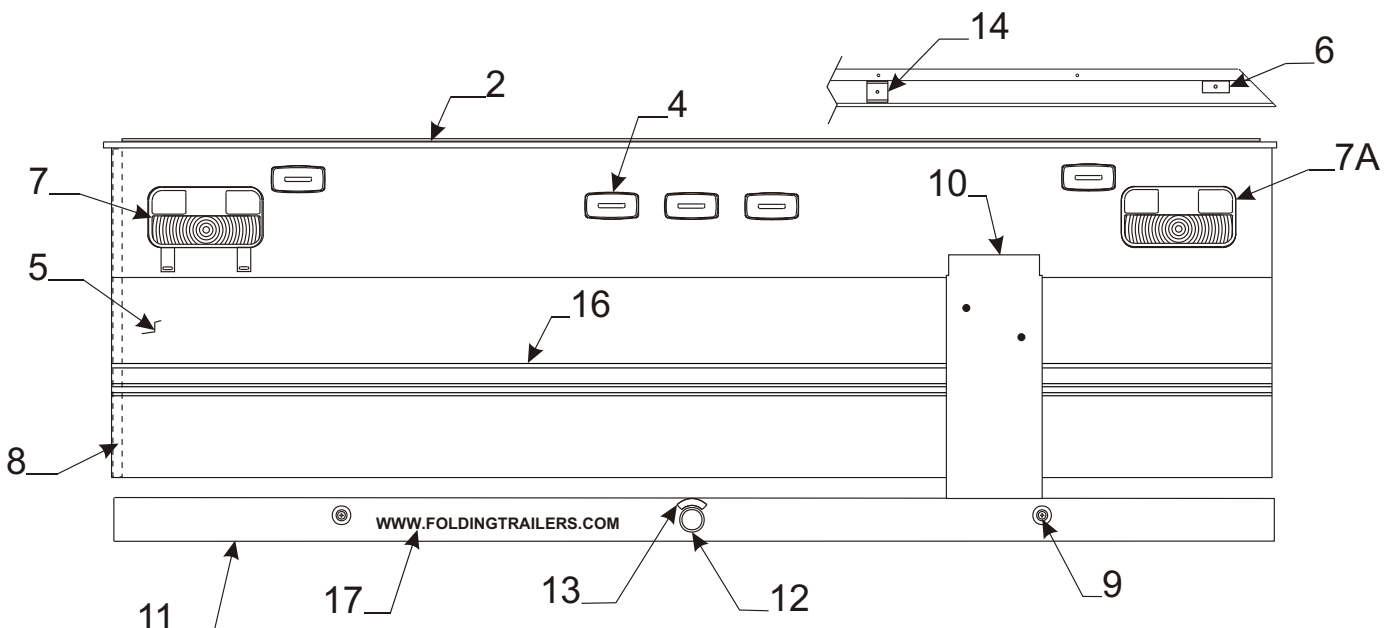
| <b>Flat Rate .10 Jack Removal</b>               |             |               |                       |
|---|-------------|---------------|-----------------------|
| <b>Tongue Jack Assembly (4720C6661) "Norco"</b> |             |               |                       |
| <u>Flat Rate</u>                                | <u>Code</u> | <u>Part #</u> | <u>Description</u>    |
| .15   | 1           | 4716-1951     | jack handle kit       |
| .15   | 2           | 4716-1981     | locking plunger kit   |
| .10   | 3           | 4720A3341     | snap ring             |
| .25   | 4           | 4716-1971     | jack wheel nut & bolt |

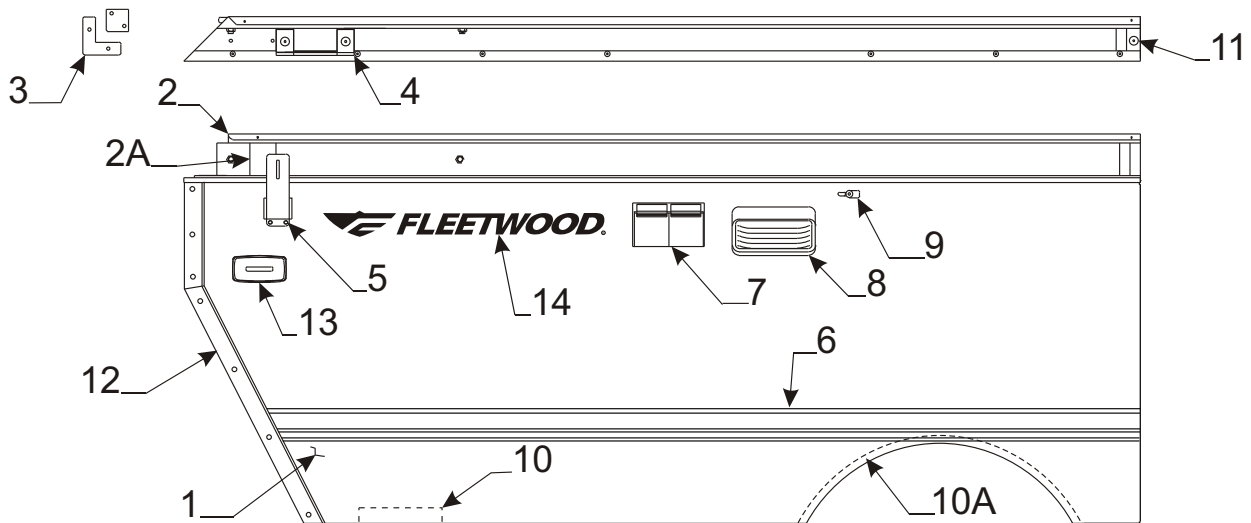




\* 1.50 Flat Rate Front Panel/2.50 Rear Panel

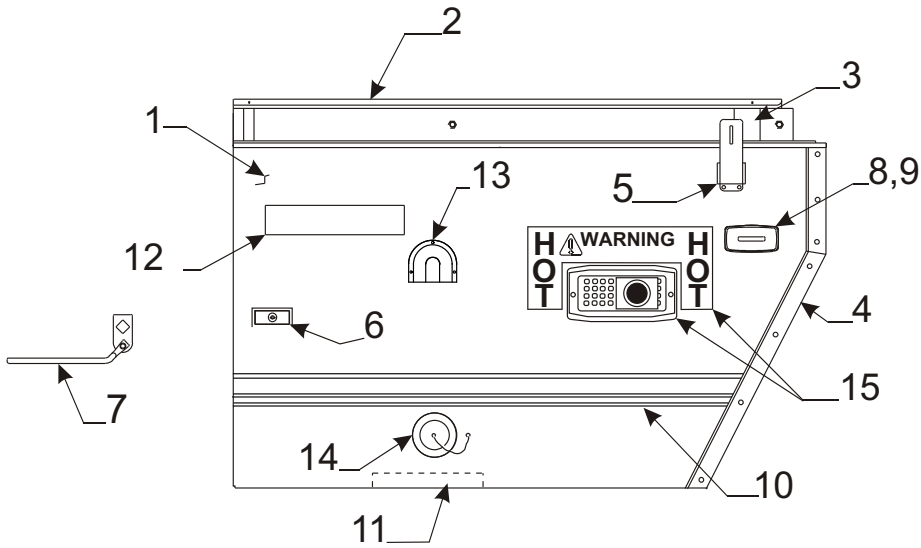
| Front & Rear Body Panel Components |      |            |                                   |     |  |
|------------------------------------|------|------------|-----------------------------------|-----|--|
| Flat Rate                          | Code | Part #     | Description                       | FR  | Code Part # Description                |
| *                                  | 1    | 4716B2061  | 2 pc. frt. body pnl. 4256, 88, 27 | .10 | 7A 4749B4321 taillight                 |
| *                                  |      | 4713A7041  | 2 pc. frt. body pnl. 4276 Sedona  | .10 | 4716A1061 taillight lens               |
| *                                  |      | 4769-7491  | front body pnl. 4275 Taos         | .25 | 8 4060000023P d-seal pkg. (5' pc.)     |
| .75                                | 2    | 4759C1951  | frt./rr end rail 4256, 88, 27     |     | 9 1032B24248 bolt x2                   |
| .75                                |      | 4747F0791  | frt./rr end rail 4275 Taos        |     | 1202B0468 washer x6 m10                |
| .75                                |      | 4759B4931  | front end rail 4276 Sedona        |     | 1202B1068 washer x2                    |
| .75                                |      | 4759B494   | rear end rail 4276 Sedona         | .25 | 1201B6068 nut x2                       |
|                                    |      | 1203-8651  | rivet x5 m25                      | .25 | 10 4769A5241 tire mount 4227, 56, 88   |
| .15                                | 3    | 4714J08481 | amber marker light                | .25 | 4769A6521 tire mount 4276 Sedona       |
| .10                                |      | 4716A4571  | amber lens (lens only)            | .30 | 4701A6811 tire mount 4275 Taos         |
| .25                                |      | 4733H1311  | socket & harness                  | .30 | 11 4759-2261 bumper 4288, 4256, 4276   |
|                                    |      | 4747-2558  | expansion rivet m25               | .30 | 4767-9871 bumper 4227 Westlake         |
| .15                                | 4    | 4714J08581 | red marker light                  | .10 | 4701-8151 bumper 4275 Taos             |
| .10                                |      | 4716A4561  | red lens (lens only)              | .10 | 12 4733-2741 2" snap bushing           |
| *                                  | 5    | 4759B2071  | rear body pnl. 4256, 4288, 4227   | .15 | 13 4730H3188 "open" decal              |
| *                                  |      | 4759D9101  | rear body pnl. 4276 Sedona        | .20 | 14 4754B8921 nylon bed ramp & screw    |
| *                                  |      | 4747L4641  | rear body pnl. 4275 Taos          | .50 | 15 4767-3691 trim cap                  |
|                                    |      | 1203-8651  | rivet m25                         | .10 | 4734C1861 rivet m25                    |
| .15                                | 6    | 4754A8491  | nylon bed rest & screw            |     | 16 4350002044P trim tape pkg. 12' pc.  |
| .20                                | 7    | 4765-3511  | taillight w/license brkt's        |     | 17 4767-0888 www.com decal             |
| .10                                |      | 4716A1051  | taillight lens                    |     | 18 4749B4731 bed stop brkt. 4275, 4276 |





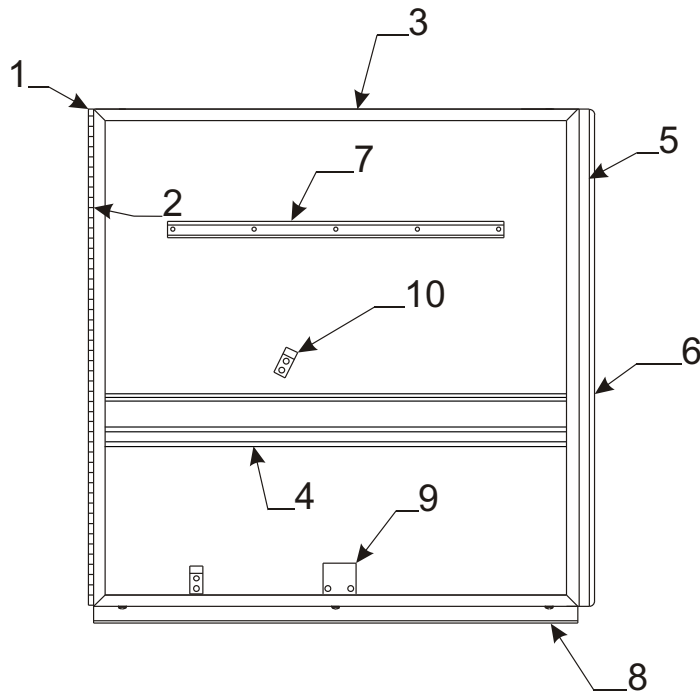
### Curbside Right Rear Body Panel & Components

| FR   | Code | Part #      | Description                        |
|------|------|-------------|------------------------------------|
| 1.00 | 1    | 4759G2051   | csr body panel 4256 Yuma           |
| 1.00 |      | 4759C3261   | csr body panel 4288 Sea Pine       |
| 1.00 |      | 4767A9841   | csr body panel 4227 Westlake       |
| 1.00 |      | 4759J9131   | csr body panel 4276 Sedona         |
| 1.00 |      | 4749H9751   | csr body panel 4275 Taos           |
| 1.00 | 2    | 4759B2021   | csr body rail 4256 Yuma            |
| 1.00 |      | 4759B3301   | csr body rail 4288 Sea Pine        |
| 1.00 |      | 4767A9851   | csr body rail 4227 Westlake        |
| 1.00 |      | 4749F9761   | csr body rail 4276 Sedona          |
| 1.00 |      | 4701A4951   | csr body rail 4275 Taos            |
| .10  | 2A   | 4716-2771   | vel-stick body rail pkg.           |
| .15  | 3    | 4716-7061   | miter cover pkg. m4                |
| .25  | 4    | 4734F4121   | lift trim pkg. m4                  |
|      |      | 4733-3398   | nylon flange bushing x2            |
| .15  | 5    | 4741C6041   | top latch w/out lock tab           |
|      |      | 4749-4848   | foam pad                           |
| .50  | 6    | 4716T8251   | trim tape kit                      |
| .25  | 7    | 4746A3861   | duplex cover & outlet              |
| .35  |      | 4746-3871   | duplex box                         |
|      |      | 1203-8678   | rivet m25                          |
| .25  | 8    | 4752-9921   | porch light                        |
| .10  |      | 4716-5511   | porch light lens "amber"           |
| .15  | 9    | 4738-3941   | turn button & rivet                |
|      | 10   | 4060050008P | foam tape pkg. (12' pc.)           |
|      | 10A  | 4060000689P | bulb seal "black" (6' pc. pkg.)    |
|      | 11   | 1203-8831   | rivet m25                          |
| .30  | 12   | 4767-0121   | csr corner trim - 4256, 4288, 4227 |
| .30  |      | 4759A9051   | csr corner trim - 4276 Sedona      |
| .30  |      | 4701A8111   | csr corner trim - 4275 Taos        |
|      |      | 4745-3968   | screw "white" x7                   |
| .15  | 13   | 4714J08581  | red marker light                   |
| .10  |      | 4716A4561   | red lens (lens only)               |
| .25  | 14   | 4761-1958   | fleetwood decal                    |



### Curbside Right Front Body Panel & Components

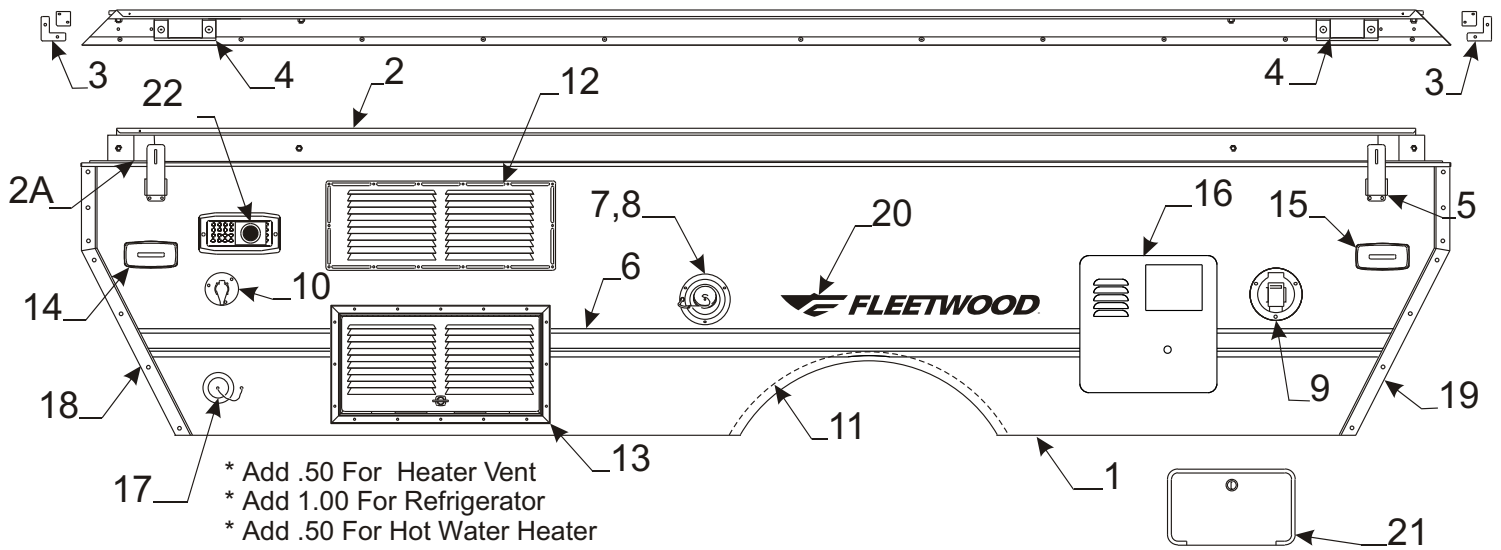
| FR   | Code | Part #      | Description                      |
|------|------|-------------|----------------------------------|
| .85  | 1    | 4759D2041   | csf body panel 4256 Yuma         |
| .85  |      | 4767C2071   | csf body panel 4288 Sea Pine     |
| .85  |      | 4759C1381   | csf body panel 4227 Westlake     |
| .85  |      | 4759H9121   | csf body panel 4276 Sedona       |
| .85  |      | 4747H0441   | csf body panel 4275 Taos         |
| 1.00 | 2    | 4759D2011   | csf body rail 4256 Yuma          |
| 1.00 |      | 4759C3291   | csf body rail 4288 Sea Pine      |
| 1.00 |      | 4767A9861   | csf body rail 4227 Westlake      |
| 1.00 |      | 4747G0561   | csf body rail 4276 Sedona        |
| 1.00 |      | 4701A4951   | csf body rail 4275 Taos          |
| .10  | 3    | 4716-2771   | vel-stick body rail pkg.         |
| .30  | 4    | 4767-0131   | csf corner trim 4256, 4288, 4227 |
| .30  |      | 4759A9061   | csf corner trim 4276 Sedona      |
| .30  |      | 4701A8101   | csf corner trim 4275 Taos        |
|      |      | 4745-3968   | screw "white" x7                 |
| .15  | 5    | 4741C6041   | top latch w/out lock tab         |
| 1.00 | 6    | 4730C3111   | lock handle (with key)           |
| 1.00 | 7    | 4754-1691   | latch, strike & lever            |
| .15  | 8    | 4714J08481  | amber marker light               |
| .10  | 9    | 4716A4571   | amber lens (lens only)           |
| .50  | 10   | 4716T8251   | trim tape kit                    |
|      | 11   | 4060050008P | foam tape pkg. (12' pc.)         |
| .25  | 12   | 4759C2138   | Yuma name decal                  |
| .25  |      | 4767B2088   | Sea Pine name decal              |
| .25  |      | 4754H3808   | Westlake name decal              |
| .25  |      | 4759C9148   | Sedona name decal                |
| .25  |      | 4749N3198   | Taos name decal                  |
| .15  | 13   | 4757-9261   | vent cover "plastic"             |
| .10  | 14   | 4714A2861   | shower drain cap & strap         |
| .10  | 15   | 4741C9471   | furnace vent 8" 4276 Sedona      |
| .15  |      | 4701-3878   | caution decal 4276 Sedona        |



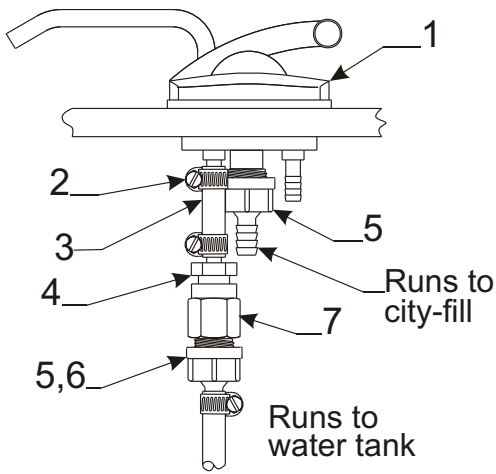
**Flat Rate .50 Complete Door Assy.**

**4754R5111 Access Door Assy. - 4256, 4276, 4288, 4227**  
**4749S6471 Access Door Assy. - 4275 Taos**  
**Note: Access Door less trim tape (must order separately)**

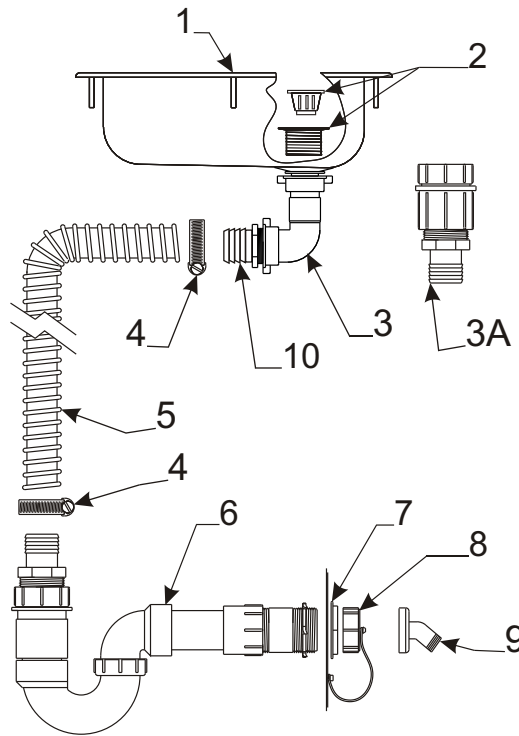
| <u>Flat Rate</u> | <u>Access Door Assembly Components</u> |                    |                             |
|------------------|--|--------------------|-----------------------------|
| <u>Code</u>      | <u>Part #</u>                          | <u>Description</u> |                             |
| .25              | 1                                      | 4754F0281          | door hinge 4256, 76, 88, 27 |
| .25              |  | 4747B3621          | door hinge 4275 Taos        |
| .35              | 2                                      | 4754A0251          | door frame 4256, 76, 88, 27 |
| .35              |  | 4747B3621          | door frame 4286, 4287       |
| .25              | 3                                      | 4749C9821          | door cap (all models)       |
| .25              | 4                                      | 4350002044P        | trim tape (12' pc.)         |
| .20              | 5                                      | 4060000023P        | d-seal pkg. (5' pc.)        |
| .25              | 6                                      | 4754F0261          | door frame 4256, 76, 88, 27 |
| .25              |  | 4747B3601          | door frame 4275 Taos        |
| .25              | 7                                      | 4767-4361          | stove support brkt.         |
|                  |  | 4716-081           | screw x2                    |
| .25              | 8                                      | 4747C3611          | bottom trim (all models)    |
|                  |  | 4745-3968          | screw x2                    |
| .25              | 9                                      | 4750A8481          | stove support brkt.         |
|                  |  | 4716-081           | screw x2                    |
| .10              | 10                                     | 4720A0721          | cooler clip m2              |
|                  |  | 4745-3968          | screw x2                    |



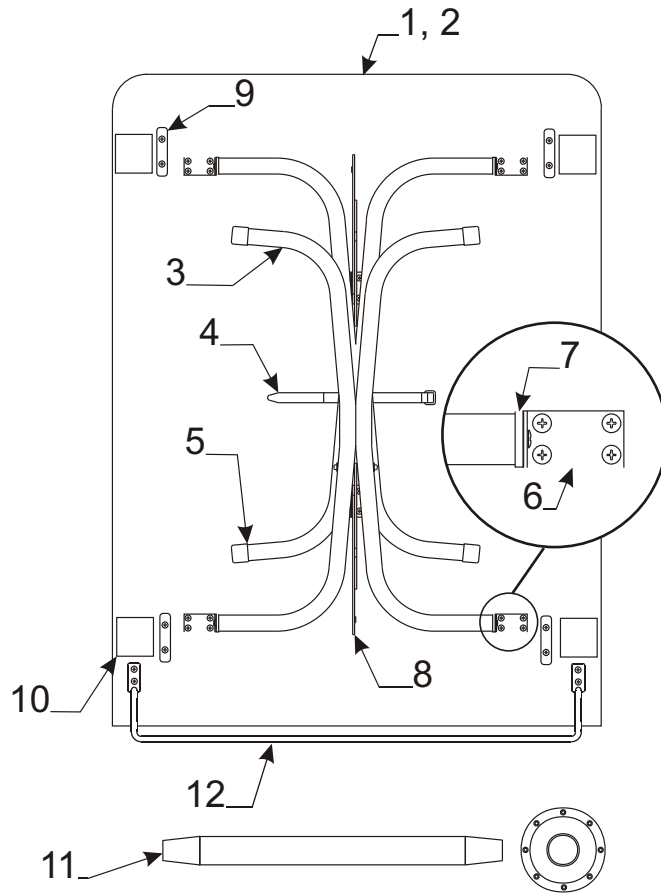
| Flat Rate | Code | Part #      | Description                           |
|-----------|------|-------------|---------------------------------------|
| *1.00     | 1    | 4759G2031   | left side body pnl. 4256 Yuma         |
| *2.00     |      | 4767D1851   | left side body pnl. 4288 Sea Pine     |
| *2.00     |      | 4754N3791   | left side body pnl. 4227 Westlake     |
| *2.00     |      | 4759H9111   | left side body pnl. 4276 Sedona       |
| *2.00     |      | 4749G9801   | left side body pnl. 4275 Taos         |
| 3.00      | 2    | 4759C2001   | left side body rail 4256 Yuma         |
| 3.00      |      | 4759D3281   | left side body rail 4288 Sea Pine     |
| 3.00      |      | 4754H9121   | left side body rail 4227 Westlake     |
| 3.00      |      | 4747F0581   | left side body rail 4276 Sedona       |
| 3.00      |      | 4769-0841   | left side body rail 4275 Taos         |
| .10       | 2A   | 4716-2771   | vel-stick body rail pkg.              |
|           |      | 4757-0731   | wire grommet & nut                    |
| .15       | 3    | 4716-7061   | inner/outer miter cover pkg. m4       |
| .25       | 4    | 4734F4121   | lift trim, rivets & gasket pkg. m4    |
| .15       | 5    | 4741C6041   | top latch w/lock tab                  |
|           |      | 4749-4848   | foam pad                              |
| .50       | 6    | 4716T8261   | trim tape & hardware kit              |
| .30       | 7    | 4731D1711   | water tank spout                      |
|           | 8    | 4741-3508   | hex head tek screw x3                 |
| .15       | 9    | 4733B23361  | cable hatch                           |
| .30       | 10   | 4732F1521   | city fill                             |
|           | 11   | 4060050008P | 1/2" x 1" foam tape pkg. (12' pc.)    |
| .50       | 12   | 4747D8321   | refrigerator vent "upper"             |
|           |      | 4745-3968   | painted screw arctic wht. x4 per vent |
| .50       | 13   | 4747D8331   | refrigerator vent hinged "lower"      |
| .15       | 14   | 4714J08481  | amber marker light x4                 |
| .10       |      | 4716A4571   | amber lens (lens only)                |
| .25       |      | 4733H1311   | socket & harness                      |
|           |      | 4747-2558   | expansion rivet m25                   |
| .15       | 15   | 4714J08581  | red marker light                      |
| .10       |      | 4716A4561   | red lens (lens only)                  |
| .25       | 16   | 4716-1331   | water heater door                     |
| .10       | 17   | 4714A2861   | drain cap & strap                     |
| .30       | 18   | 4767-0121   | rsf corner trim 4256, 4288, 4227      |
| .30       |      | 4759A9051   | rsf corner trim 4276 Sedona           |
| .30       |      | 4701A8111   | rsf corner trim 4275 Taos             |
| .30       | 19   | 4767-0131   | rsr corner trim 4256, 4288, 4227      |
| .30       |      | 4759A9061   | rsr corner trim 4276 Sedona           |
| .30       |      | 4701A8101   | rsr corner trim 4275 Taos             |
| .25       | 20   | 4761-1958   | fleetwood decal                       |
| .25       | 21   | 4750C5861   | o/s shower complete                   |
|           |      | 4716-7511   | key Ch751 m2                          |
| .15       |      | 4750A2961   | lock assy. w/key                      |
| .10       | 22   | 4741C9471   | 8" furnace vent                       |



| Flat Rate | Hand pump & related parts - 4275 Taos | Code      | Part #                     | Description |
|-----------|---------------------------------------|-----------|----------------------------|-------------|
| .40       | 1                                     | 4767-3301 | hand pump                  |             |
|           |                                       | 4716-081  | screw x4                   |             |
|           | 2                                     | 4731-3058 | adjustable hose clamp      |             |
| .35       | 3                                     | 4714-038  | 3/8" h.p. Hose (sold/foot) |             |
| .20       | 4                                     | 4732-4561 | male adapter               |             |
| .20       | 5                                     | 4741A9561 | barbed adapter             |             |
| .20       | 6                                     | 1202-5828 | rubber washer              |             |
| .20       |                                       | 4754-4418 | round filter screen        |             |
| .20       | 7                                     | 4741-9551 | check valve "brass"        |             |



| Flat Rate | Sink & Component parts | Code        | Part #                                  | Description |
|-----------|------------------------|-------------|---|-------------|
| .30       | 1                      | 4710F0301   | sink "stainless"                        |             |
| .05       | 2                      | 4714C0661   | crumb cup "only"                        |             |
| .25       |                        | 4730E3151   | crumb cup & basket                      |             |
| .40       | 3                      | 4757-0861   | elbow pkg.                              |             |
| .40       | 3A                     | 4713-0061   | straight sink adapter pkg.              |             |
|           |                        | 4757-9131   | 1 1/4" rubber washer                    |             |
|           | 4                      | 4715-4501   | 1 1/4" hose clamp                       |             |
| .80       | 5                      | 4060012503P | 1 1/4" drain hose (10' pc.)             |             |
|           |                        |             | <b>Note: must cut hose to length</b>    |             |
| .75       | 6                      | 4769A6941   | drain trap assy. 4275, 4276, 4256, 4227 |             |
| .75       |                        | 4767C5811   | drain trap assy. 4288                   |             |
|           | 7                      | 4757-0921   | 1 1/2" metal nut "white"                |             |
| .10       | 8                      | 4714A2861   | cap & strap                             |             |
|           | 9                      | 4737-9138   | drain adapter                           |             |
| .40       | 10                     | 4757A0871   | adaptor 1 1/4" barb                     |             |

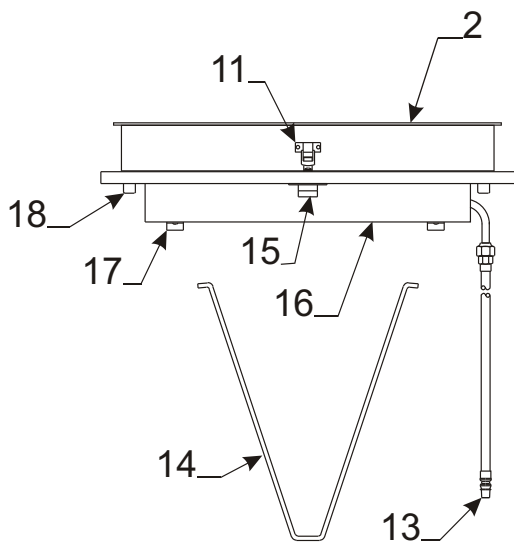
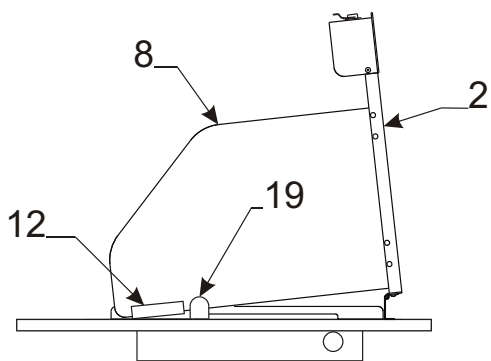
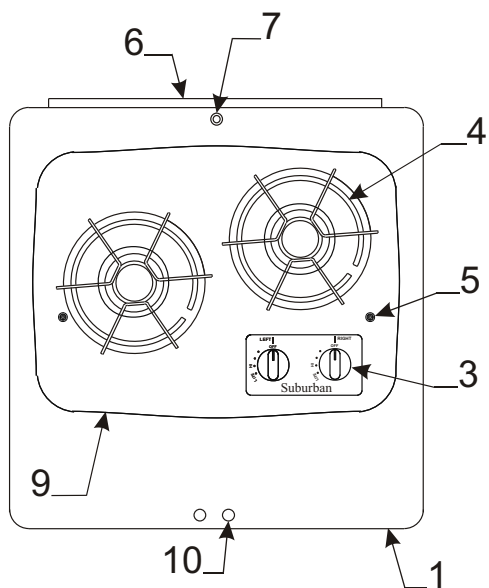


| Flat Rate  | Dinette Table Assembly Components |             |                                      |
|--|-----------------------------------|-------------|--------------------------------------|
|  | Code                              | Part #      | Description                          |
| .50  | 1                                 | 4756G8461   | table top 30" x 39" 4288             |
| .50  |                                   | 4754F3891   | table top 28" x 39" 4227             |
| .50  |                                   | 4759E3931   | table top 41" x 27 1/4" 4256         |
| .50  |                                   | 4756H8461   | table top 37" x 26" 4276 Sedona      |
| .50  |                                   | 4702A0731   | table top 37" x 26" 4275 Taos        |
| .30  | 2                                 | 4060475014P | t-molding (14' pkg.)                 |
| .50  | 3                                 | 4745K5271   | table leg package                    |
|  |                                   | 4768-7161   | table leg 21 1/4" 4276 Sedona        |
|  |                                   | 4749-9641   | gripper clip x2 4276 Sedona          |
|  |                                   | 4701-2531   | rivet m25 (affix clip to wheel well) |
| <b>Note: pkg. includes 2 legs &amp; required mounting hardware</b> |                                   |             |                                      |
| .10  | 4                                 | 4751A9711   | strap & screw pkg.                   |
| .10  | 5                                 | 4752-0551   | white plastic cap m2                 |
| .15  | 6                                 | 4720H1211   | table leg mounting brace m2          |
|  |                                   | 1103E1018   | 5/8" wood screw                      |
| .15  | 7                                 | 4752A0561   | table leg insert cap m2              |
| .25  | 8                                 | 4744-6971   | lock brace assy. x2                  |
|  |                                   | 1103E1018   | 5/8" wood screw                      |
| .15  | 9                                 | 4756-8741   | table top plastic spacer m4          |
|  |                                   | 1103B08148  | 7/8" screw (x2 per spacer)           |
| .05  | 10                                | 4724D2631   | velcro fastener m4                   |
|  | 11                                | 4768-7151   | pedestal table leg kit 4276 Sedona   |
|  | 12                                | 4701-93661  | towel bar 4275 Taos                  |

4702-6031 Lift-out stove assy. 4256 Yuma, 4288 Sea Pine

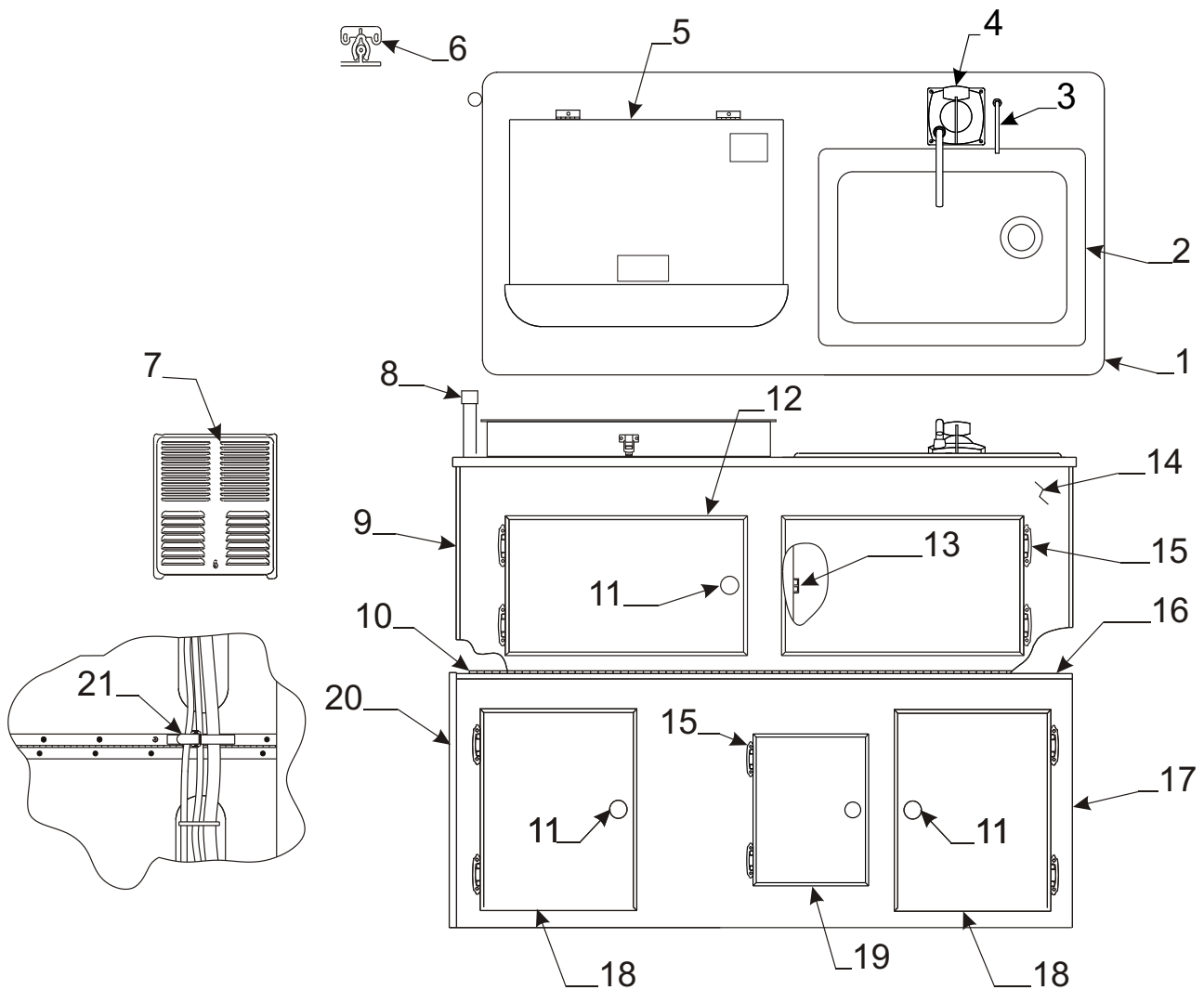
4754F51781 Lift-out stove assy. 4227 Westlake

**Note: Taos, Sedona Models use stove parts listed below**



| Flat Rate  | Lift-Out/Galley Stove Component Parts Code | Part #  | Description                           |
|--|--|---|---------------------------------------|
| .60  | 1  | 4754G0451   | Suburban counter top - Westlake       |
| .60  |  | 4754F0451   | Vitco counter top - Westlake          |
| .60  |  | 4702A4131   | Suburban counter top - Yuma, Sea Pine |
| .60  |  | 4702-4131   | Vitco counter top - Yuma, Sea Pine    |
| .15  | 2  | 4701A1191   | Suburban stove cover assy. (2 burner) |
| .15  |  | 4701-1191   | Vitco stove cover assy. (2 burner)    |
| .05  | 3  | 4716B1861   | Suburban stove knob M3                |
| .05  |  | 4716A1861   | Vitco stove knob M3                   |
| .05  | 4  | 4752B9881   | Suburban stove grate                  |
| .05  |  | 4752A9881   | Vitco stove grate                     |
| .05  | 5  | 4716A2631   | Suburban stove top screw/washer m2    |
| .05  |  | 4716-2631   | Vitco stove top screw/washer m2       |
| .35  | 6  | 4754A0471   | stove hanger bracket                  |
| .05  | 7  | 4730A3548   | stud w/screw                          |
| .15  | 8  | Note: Item not sold separately must order code #2 |                                       |
| .15  | 9  | 4701A1201   | Suburban cook top (2 burner)          |
| .15  |  | 4746B9491   | Vitco cook top (2 burner)             |
| .15  | 10   | 4739E2908   | screw cap m10                         |
|  |  | 4739-2918   | screw cap washer m10                  |
| .15  | 11   | 4733-4018   | stove cover latch                     |
|  |  | 1203-8558   | rivet m25 (x2 per latch)              |
| .15  |  | 4733-4028   | strike                                |
|  |  | 4737-8478   | screw                                 |
| .05  | 12   | 4732A2291   | edge molding m2                       |
| .25  | 13   | 4716-7131   | 48" gas hose pkg.                     |
| <b>Note: Pkg. consist of (1) hose, inside &amp; outside quick disconnect</b> |  |   |                                       |
| .05  | 14   | 4748-2731   | stove support leg (all)               |
| .15  | 15   | 4754A08861  | latch strike                          |
| .75  | 16   | 4748F2581   | Suburban stove box (2 burner)         |
| .75  |  | 4748D2581   | Vitco stove box (2 burner)            |
| .20  | 17   | 4740A1891   | support leg brkt. w/rivets m2         |
| .05  | 18   | 4724-2608   | stop button                           |
| .15  | 19   | 4773-4691   | stove fin stay brkt. m2               |



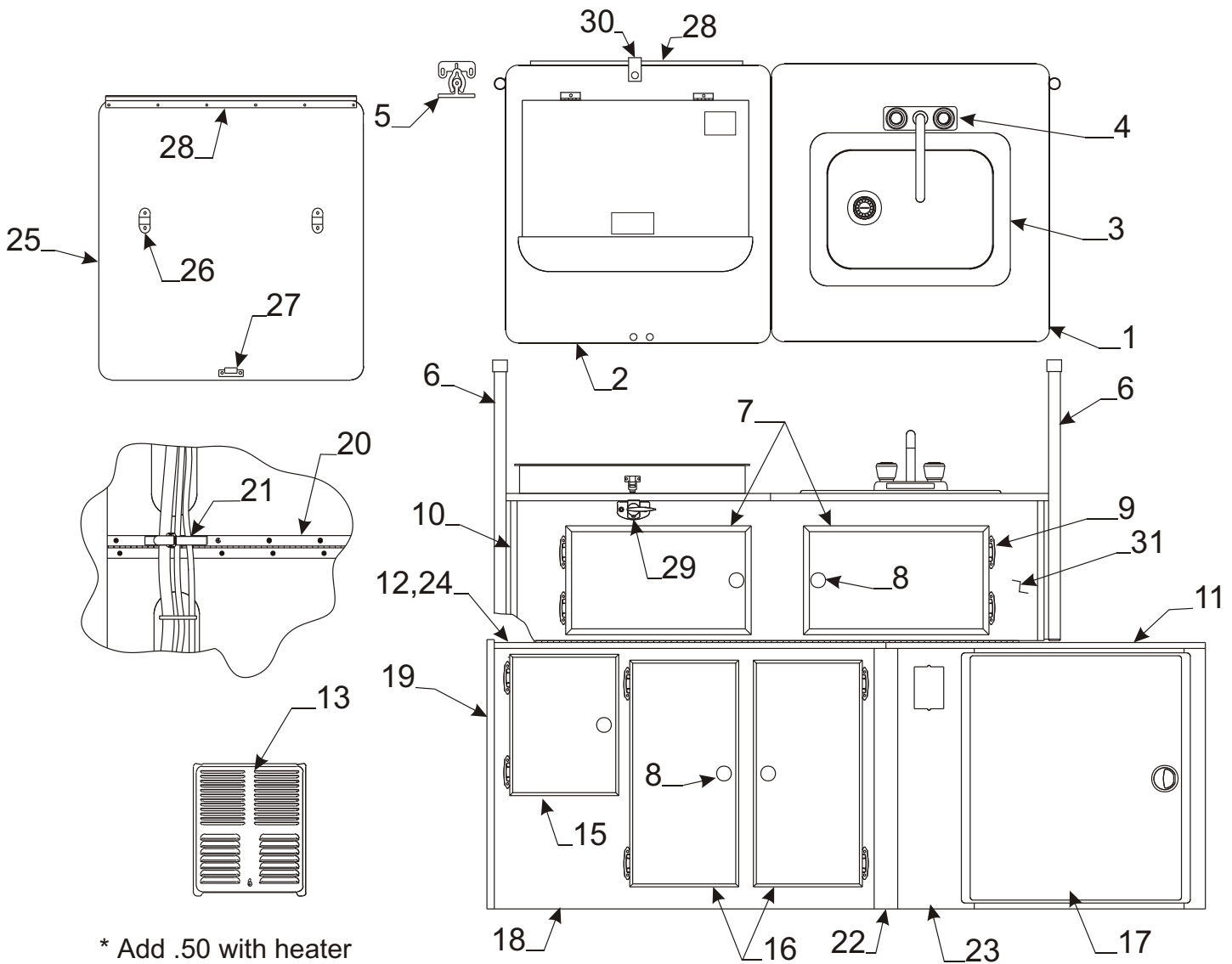


\*\* Used on units produced with Vitco Stove Assemblies

\*\*\* Used on units produced with Suburban Stove Assemblies

\* Add .50 with heater

| Flat Rate | Upper & Lower Assy. Code | Part #        | Description                           | Flat Rate | Code | Part #      | Description                   |
|-----------|--------------------------|---------------|---------------------------------------|-----------|------|-------------|-------------------------------|
| 1.00      | 1                        | ** 4701C8091  | galley top (Vitco stove)              | .50       | 10   | 4747A9671   | hinge                         |
| 1.00      |                          | *** 4701F8091 | galley top (Suburban stoves)          | .10       | 11   | 4748A3951   | door pull (includes screw)    |
| .30       |                          | 4060475014P   | t-molding (14' pc. pkg.)              | .15       | 12   | 4754D1481   | dr. pnl x2 - 9 1/4" x 15 3/4" |
| .30       | 2                        | 4710F0301     | sink                                  | .15       | 13   | 4733-6391   | latch & strike pkg.           |
| .10       | 3                        | 4746A5421     | pump hold down pkg.                   | 2.00      | 14   | 4701C8171   | upper galley front            |
| .40       | 4                        | 4767-3301     | hand pump                             | .10       |      | 6010415696P | galley bottom, back & sides   |
| .         |                          | 4716-081      | screw x4                              | .10       | 15   | 4762-4878   | hinge                         |
|           | <b>Note:</b>             |               | refer to page 12 for pump components  | 1.25      | 16   | *4747S4371  | lower galley top              |
|           |                          |               | Refer to page 14 for stove components | .20       |      | 4746C0971   | kill switch m4                |
| .15       | 6                        | 4744A9261     | knuckle latch m4                      | .15       | 17   | *4749R9901  | lower galley front            |
|           |                          | 4738-3088     | screw x2                              | .15       | 18   | 4769-0281   | door pnl. I 15 3/4" x 10 1/4" |
| .10       | 7                        | 4743-3551     | furnace grill                         | .15       | 19   | 4757C4041   | door panel 12" x 9 1/8"       |
| .25       | 8                        | 4768A1381     | galley pole                           | .35       | 20   | 4749L9891   | seat end                      |
|           |                          | 4752-0551     | plastic cap m2                        | .30       |      | 4060400093P | t-molding (12' pc. Pkg)       |
| .65       | 9                        | 4060137505P   | 3/8" f-channel 48" pc.                | .10       | 21   | 4751A9711   | hose strap pkg.               |



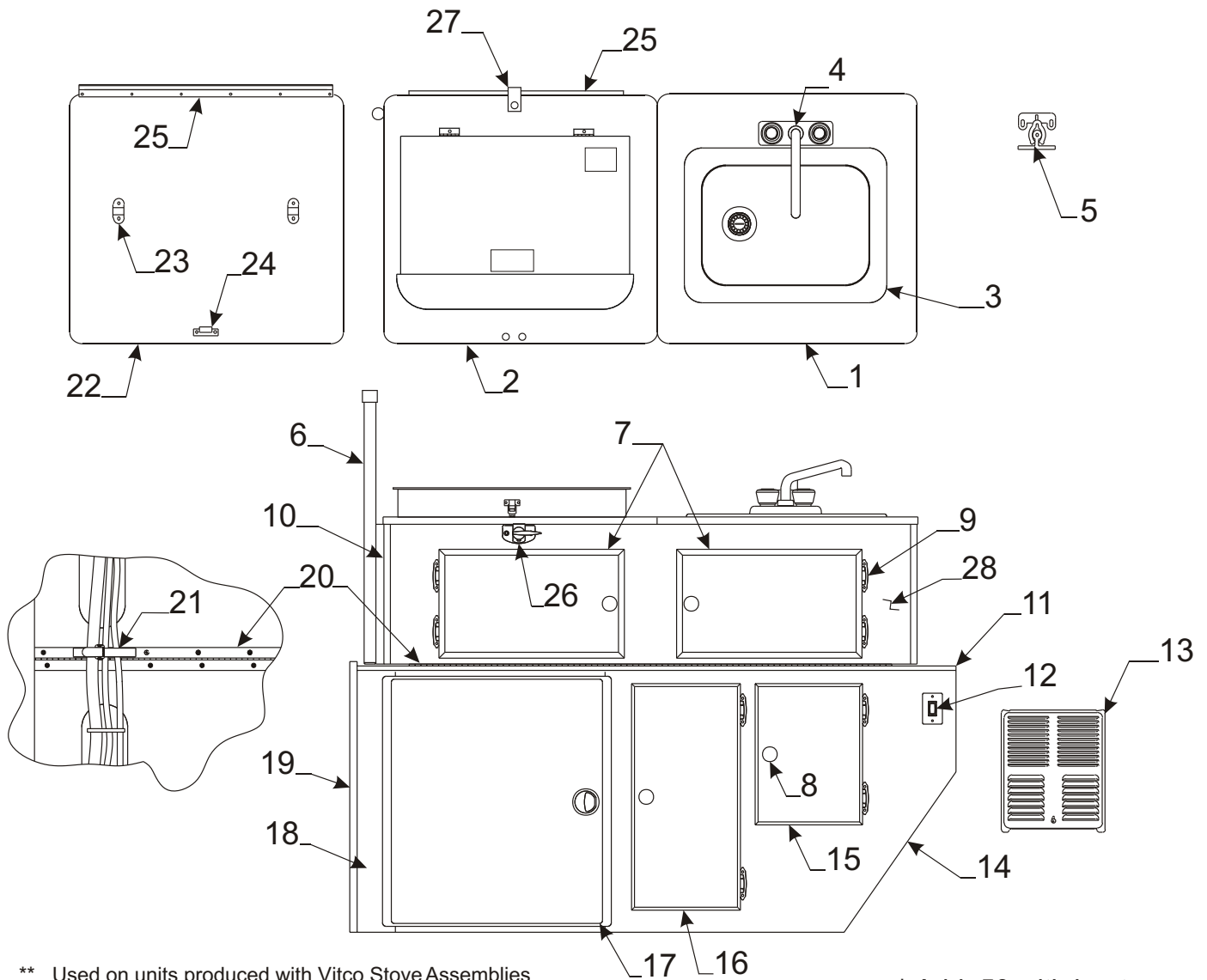
\* Add .50 with heater

**Upper & Lower Galley Assy. Components - 4288 Sea Pine**

| FR    | Code | Part #      | Description  | FR    | Code | Part #      | Description                 |
|-------|------|-------------|--|-------|------|-------------|-----------------------------|
|       |      |             |  | .10   | 13   | 4743-3551   | furnace grill               |
|       |      |             |  | *1.50 | 14   | 4767B1921   | lower galley frt. (rt.)     |
| 1.00  | 1    | 4702-4141   | sink upper galley top                              | .15   | 15   | 4757C4041   | door panel 12" x 9 1/8"     |
| 1.00  | 2    | 4702-4131   | **stove counter top (Vitco)                        | .15   |      | 4733-6391   | latch & strike pkg.         |
| 1.00  |      | 4702A4131   | ***stove counter top (Surburban)                   | .15   | 16   | 4759B3411   | door panel 19 1/4" x 9 1/4" |
|       |      |             | <b>Note:</b> refer to page 14 for stove components | .25   | 17   | 4754A0481   | built-in cooler             |
| .30   | 3    | 4710F0301   | sink   | .75   | 18   | 4759B4301   | lower galley frt. (lt.)     |
|       |      |             | <b>Note:</b> refer to page 12 for sink components  | .75   | 19   | 4759B4241   | lower galley seat gazoodi   |
| 1.00  | 4    | 4745E2741   | mixer faucet                                       | .30   |      | 4060400093P | t-molding (12' pkg.)        |
|       |      | 4758-8508   | dual faucet use decal                              | .50   | 20   | 4757-2621   | hinge                       |
| .15   | 5    | 4744A9261   | knuckle latch m4                                   | .10   | 21   | 4751A9711   | hose strap pkg.             |
|       |      | 4738-3088   | screw x2   | .25   | 22   | 4758-9131   | lower galley molding        |
| .25   | 6    | 4757C2991   | galley rest pole                                   | .75   | 23   | 4767A1901   | lower galley frt.           |
|       |      | 4752-0551   | plastic end cap m2                                 | 1.25  | 24   | 4767A1891   | lower galley top (lt)       |
|       |      | 4759-084    | nylon spacer x4 per pole                           | .10   | 25   | 4702-6041   | lift-out counter top assy.  |
| .15   | 7    | 4702-4151   | door panel - 15 3/4" x 7 3/4"                      | .10   | 26   | 4740A1891   | support leg brkt. m2        |
| .15   |      | 4733-6391   | latch & strike pkg.                                | .15   | 27   | 4754A08861  | latch strike                |
| .10   | 8    | 4748C3951   | door pull (includes screw)                         | .35   | 28   | 4754A0471   | hanger bracket              |
| .10   | 9    | 4762-4878   | hinge  | .20   | 29   | 4754-0501   | latch                       |
| .65   | 10   | 4060137505P | 3/8" f-channel 48" pc.                             | .15   | 30   | 4723B5061   | safety strap                |
| *1.25 | 11   | 4767A1911   | lower galley top (rt.)                             | .05   |      | 4730A3548   | stud w/screw                |
| .20   |      | 4746C0971   | kill switch m4                                     | 1.25  | 31   | 4759C2741   | upper galley front          |
| .20   | 12   | 4733C4981   | rocker switch (elec. pump)                         |       |      | 6010415696P | galley bottom, back & sides |

\*\* Used on units produced with Vitco Stove Assemblies

\*\*\* Used on units produced with Suburban Stove Assemblies

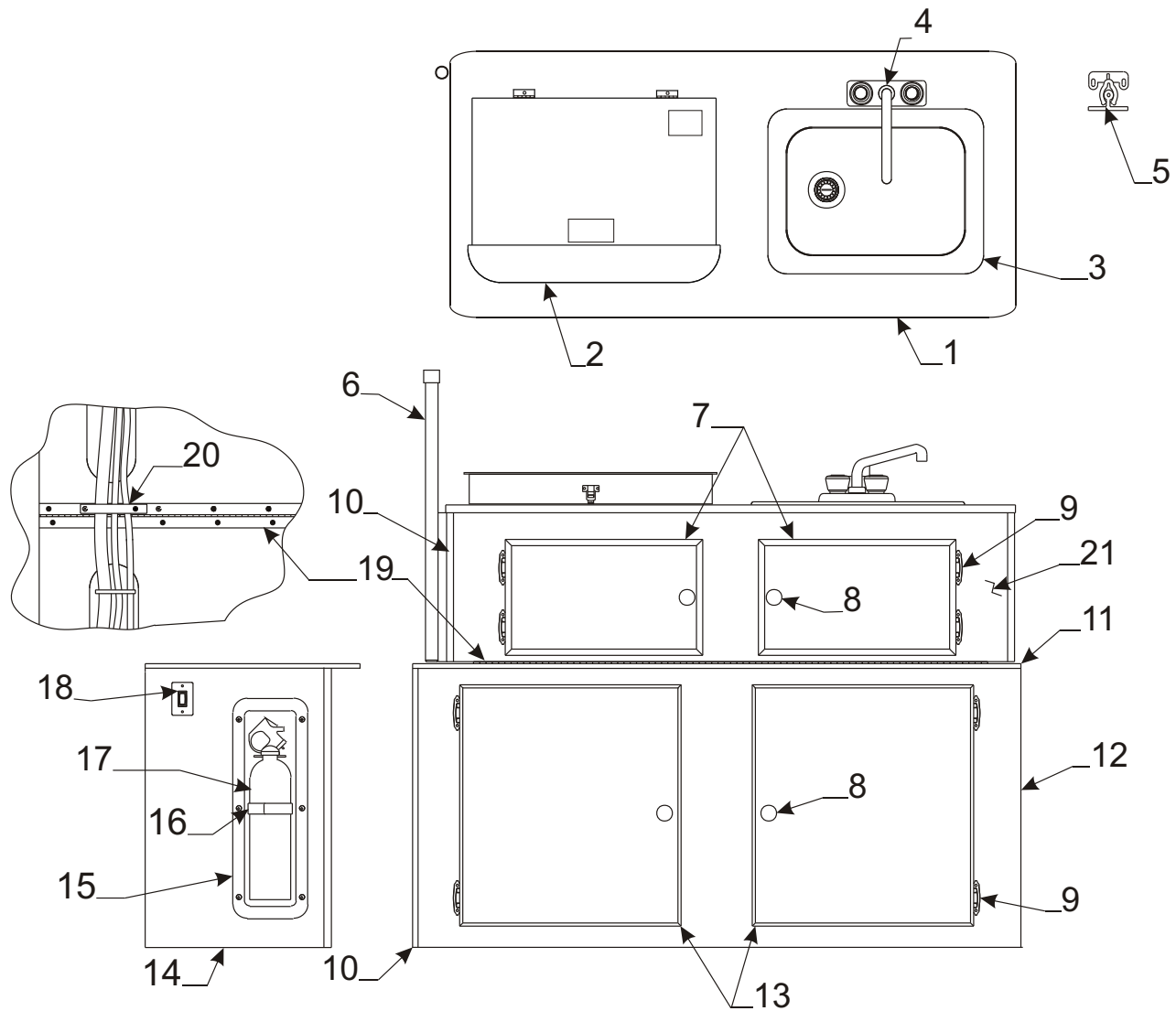


\*\* Used on units produced with Vitco Stove Assemblies  
 \*\*\* Used on units produced with Suburban Stove Assemblies

\* Add .50 with heater

**Upper & Lower Galley Assy. Components - 4256 Yuma**

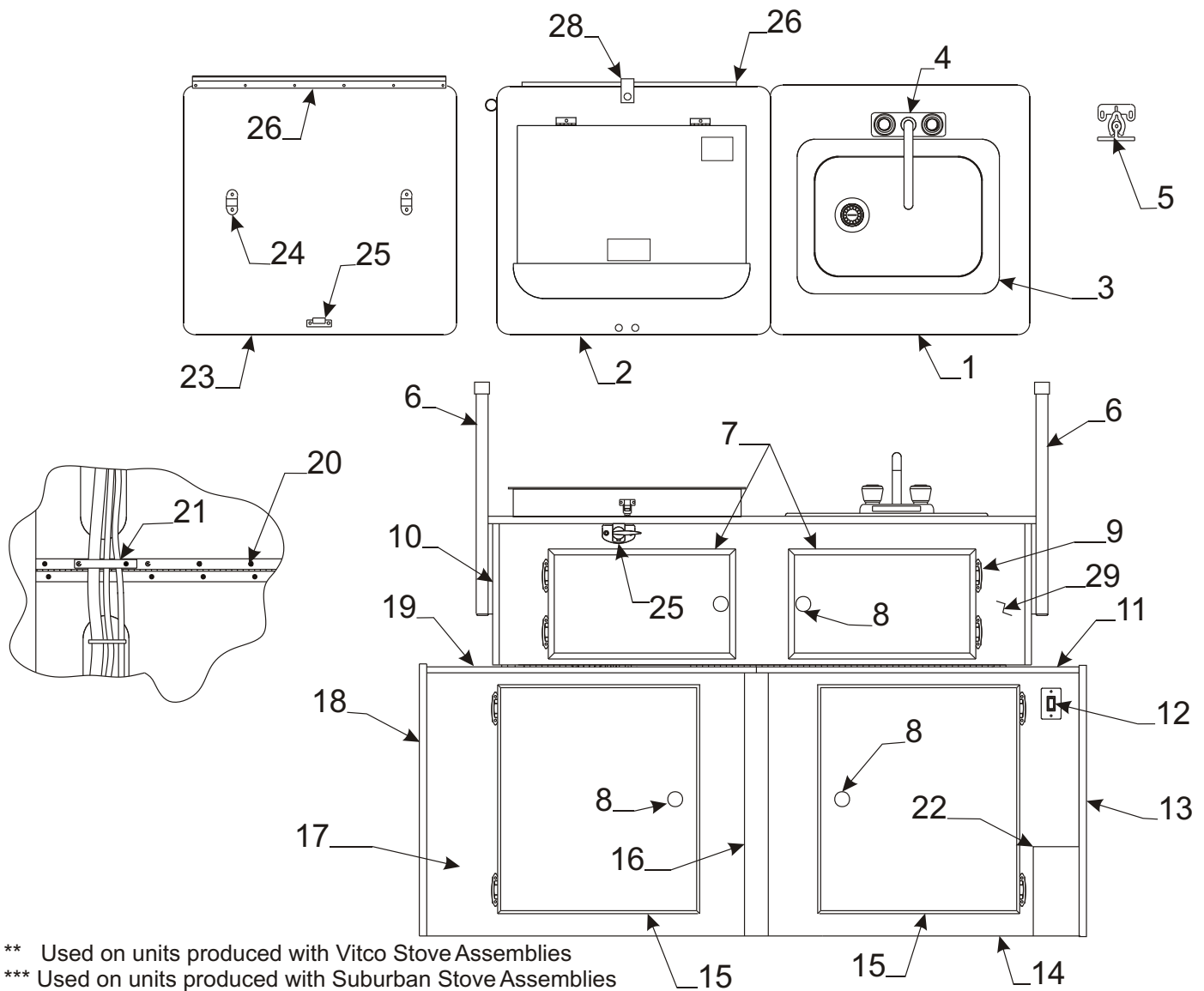
| FR    | Code | Part #   | Description                     | Flat Rate | Code | Part #      | Description                 |
|-------|------|--|---------------------------------|-----------|------|-------------|-----------------------------|
| 1.00  | 1    | 4702-4141  | sink upper galley top           | .10       | 13   | 4743-3551   | furnace grill               |
| 1.00  | 2    | 4702-4131  | **stove counter top (Vitco)     | *1.50     | 14   | 4759E2641   | lower galley frt. (rt.)     |
| 1.00  |      | 4702A4131  | ***stove counter top (Suburbun) | .15       | 15   | 4757C4041   | door panel 12" x 9 1/8"     |
|       |      | <b>Note: refer to page 14 for stove components</b> |                                 |           |      |             |                             |
| .30   | 3    | 4710F0301  | sink                            | .15       | 16   | 4759B3411   | door panel 19 1/4" x 9 1/4" |
|       |      | <b>Note: refer to page 12 for sink components</b>  |                                 |           |      |             |                             |
| 1.00  | 4    | 4745E2741  | mixer faucet                    | .25       | 17   | 4754A0481   | built-in cooler             |
|       |      | 4758-8508  | dual facet use decal            | .75       | 18   | 4759E4051   | lower galley frt. (lt.)     |
| .15   | 5    | 4744A9261  | knuckle latch m4                | .75       | 19   | 4759C4111   | lower galley seat gazoodi   |
|       |      | 4738-3088  | screw x2                        | .30       |      | 4060400093P | t-molding (12' pkg.)        |
| .25   | 6    | 4757C2991  | galley rest pole                | .50       | 20   | 4757-2621   | hinge                       |
|       |      | 4752-0551  | plastic end cap m2              | .10       | 21   | 4751A9711   | hose strap pkg.             |
|       |      | 4759-084   | nylon spacer x4 per pole        | .10       | 22   | 4702-6041   | lift-out counter top assy.  |
| .15   | 7    | 4702-4151  | door panel - 15 3/4" x 7 3/4"   | .10       | 23   | 4740A1891   | support leg brkt. m2        |
| .15   |      | 4733-6391  | latch & strike pkg.             | .10       | 24   | 4754A08861  | latch strike                |
| .10   | 8    | 4748C3951  | door pull (includes screw)      | .35       | 25   | 4754A0471   | hanger bracket              |
| .10   | 9    | 4762-4878  | hinge                           | .20       | 26   | 4754-0501   | latch                       |
| .65   | 10   | 4060137505P  | 3/8" f-channel 48" pc.          | .15       | 27   | 4723B5061   | safety strap                |
| *1.25 | 11   | 4759E2611  | lower galley top                | .05       |      | 4730A3548   | stud w/screw                |
| .20   |      | 4746C0971  | kill switch m4                  | 1.25      | 28   | 4759C2741   | upper galley front          |
| .20   | 12   | 4733C4981  | rocker switch (elec. pump)      |           |      | 6010415696P | galley bottom, back & sides |



\*\* Used on units produced with Vitco Stove Assemblies  
 \*\*\* Used on units produced with Suburban Stove Assemblies

### Upper & Lower Galley Assy. Components - 4276 Sedona

| FR   | Code | Part #   | Description                   | FR   | Code | Part #      | Description                 |
|------|------|--|-------------------------------|------|------|-------------|-----------------------------|
| 1.00 | 1    | ** 4759F9231                                       | galley top (Vitco stoves)     | .65  | 10   | 4060137505P | 3/8" f-channel 48" pc.      |
| 1.00 |      | ***4759H9231                                       | galley top (Suburban stoves)  | 1.25 | 11   | 4759D9271   | lower galley top            |
| .30  |      | 4060475014P  | t-molding (14' c. pkg.)       | .20  |      | 4746C0971   | kill switch m4              |
|      | 2    | <b>Note:</b> refer to page 14 for stove components |                               | 1.50 | 12   | 4759C9291   | lower galley front          |
| .30  | 3    | 4710F0301  | sink                          | .15  | 13   | 4759B2631   | door pnl. 15 3/4" x 19 1/4" |
|      |      | <b>Note:</b> refer to page 12 for sink components  |                               | .15  |      | 4733-6391   | latch & strike pkg.         |
| 1.00 | 4    | 4745E2741  | mixer faucet                  | .55  | 14   | 4759B3951   | lower galley side           |
|      |      | 4758-8508  | dual facet use decal          | .15  | 15   | 4737B4198   | recessed mount              |
| .15  | 5    | 4744A9261  | knuckle latch m4              |      |      | 4738-3088   | screw x6                    |
|      |      | 4738-3088  | screw x2                      | .05  | 16   | 4716-1191   | fire extinguisher strap m2  |
| .25  | 6    | 4757C2991  | galley rest pole              | .10  | 17   | 4737A5558   | fire extinguisher           |
|      |      | 4752-0551  | plastic cap m2                | .20  | 18   | 4733C4981   | rocker switch               |
|      |      | 4759-084   | nylon spacer x4 per pole      | .50  | 19   | 4747A9671   | hinge                       |
| .15  | 7    | 4702-4151  | door panel - 15 3/4" x 7 3/4" |      | 20   | 4751A9711   | hose strap pkg.             |
| .15  |      | 4733-6391  | latch & strike pkg.           | 2.00 | 21   | 4752H1311   | upper galley front          |
| .10  | 8    | 4748C3951  | door pull (includes screw)    |      |      | 6010415696P | galley bottom, back & sides |
| .10  | 9    | 4762-4878  | hinge                         |      |      |             |                             |

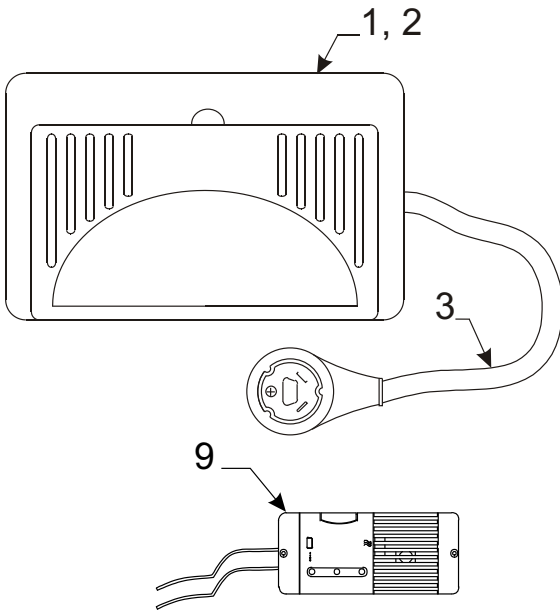


\*\* Used on units produced with Vitco Stove Assemblies  
 \*\*\* Used on units produced with Suburban Stove Assemblies

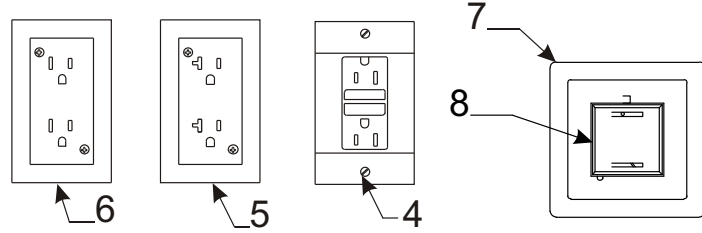
**Upper & Lower Galley Assy. Components - 4227 Westlake**

| FR   | Code | Part #   | Description                     | FR   | Code | Part #      | Description                 |
|------|------|--|---------------------------------|------|------|-------------|-----------------------------|
| 1.00 | 1    | 4767C9931  | sink upper galley top           | .75  | 14   | 4768A0511   | lower galley frt. (rt.)     |
| 1.00 | 2    | 4754F0451  | **stove counter top (Vitco)     | .15  | 15   | 4759B9221   | door panel 18" x 15 1/4"    |
| 1.00 |      | 4754G0451  | ***stove counter top (Suburban) | .15  |      | 4733-6391   | latch & strike pkg.         |
|      |      | <b>Note:</b> refer to page 14 for stove components |                                 |      |      |             |                             |
| .30  | 3    | 4710F0301  | sink                            | .75  | 16   | 4758-9131   | lower galley trim           |
|      |      | <b>Note:</b> refer to page 12 for sink components  |                                 |      |      |             |                             |
| 1.00 | 4    | 4745E2741  | mixer faucet                    | .75  | 17   | 4768-0151   | lower galley frt. (lt.)     |
|      |      | 4758-8508  | dual facet use decal            | .30  | 18   | 4754B3881   | lower galley gazoodi (lt.)  |
| .15  | 5    | 4744A9261  | knuckle latch m4                | 1.25 | 19   | 4060400093P | t-molding (12' pkg.)        |
|      |      | 4738-3088  | screw x2                        | .50  |      | 4756G0541   | lower galley top (lt)       |
| .25  | 6    | 4767-99761   | galley rest pole                | .50  | 20   | 4747-8941   | black plastic cap m2        |
|      |      | 4752-0551  | plastic end cap m2              |      |      | 4757-2621   | hinge                       |
|      |      | 4759-084   | nylon spacer x4 per pole        |      | 21   | 4751A9711   | hose strap pkg.             |
| .15  | 7    | 4754D1481  | door panel - 15 3/4" x 9 1/4"   | .10  | 22   | 4768-016    | hose cover                  |
| .15  |      | 4733-6391  | latch & strike pkg.             | .10  | 23   | 4757C4411   | lift-out counter top assy.  |
| .10  | 8    | 4748C3951  | door pull (includes screw)      | .35  | 24   | 4740A1891   | support leg brkt. m2        |
| .10  | 9    | 4762-4878  | hinge                           | .20  | 25   | 4754A08861  | latch strike                |
| .65  | 10   | 4060137505P  | 3/8" f-channel 48" pc.          | .15  | 26   | 4754A0471   | hanger bracket              |
| 1.25 | 11   | 4768B0001  | lower galley top (rt.)          | .05  | 27   | 4754-0501   | latch                       |
| .20  |      | 4746C0971  | kill switch m4                  | 2.00 | 28   | 4723B5061   | safety strap                |
| .20  | 12   | 4733C4981  | rocker switch (elec. Pump)      |      |      | 4730A3548   | stud w/screw                |
| .75  | 13   | 4767-9991  | lower galley gazoodi (rt.)      |      | 29   | 4701C8171   | upper galley front          |
| .30  |      | 4060400093P  | t-molding (12' pkg.)            |      |      | 6010415696P | galley bottom, back & sides |

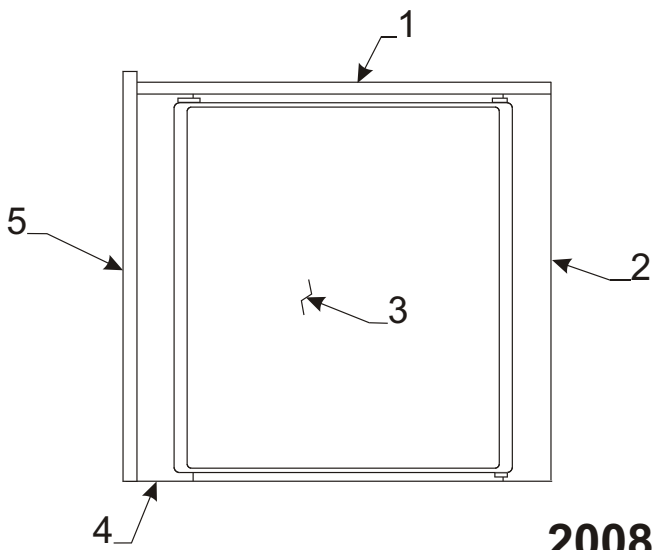
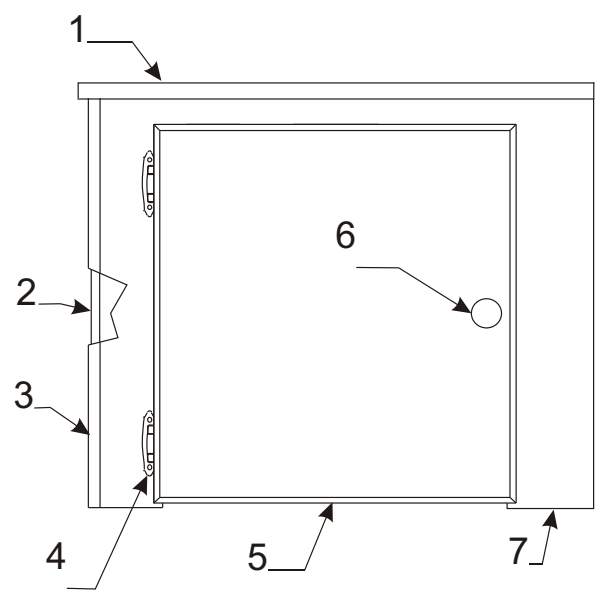
**WORLD FRIENDSHIP CO., LTD**  
 Warranty: 800-900-2468



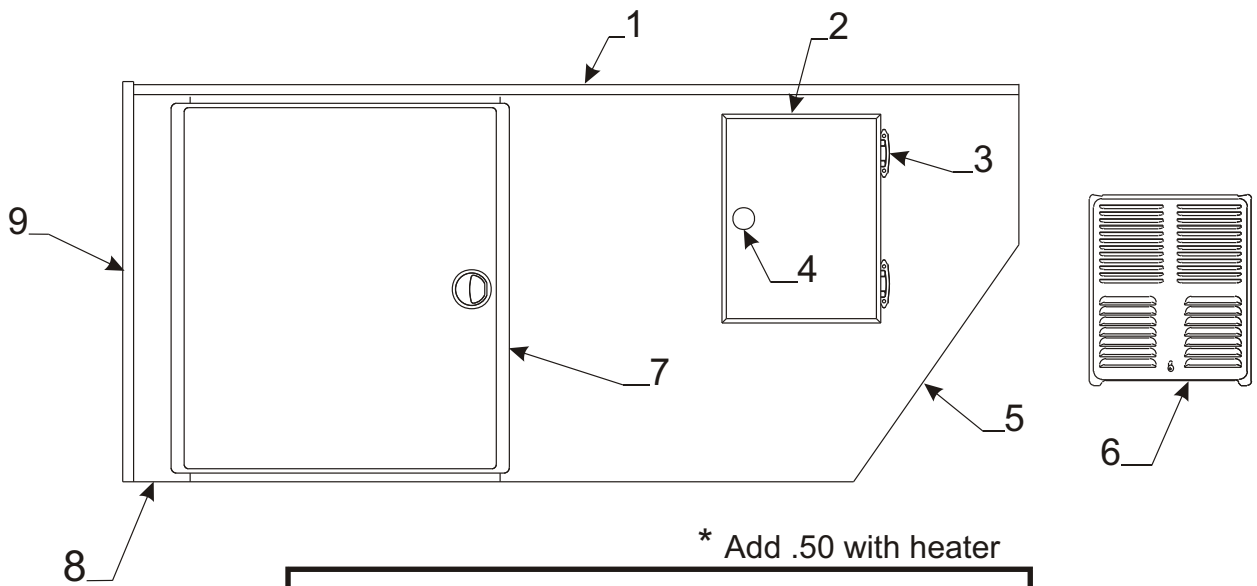
| Flat Rate | Code | Part #    | Description                           |
|-----------|------|-----------|---------------------------------------|
| 1.00      | 1    | 4753E8201 | converter 25 amp WFCO                 |
| .15       | 2    | 4716D1301 | converter face cover w/door (plastic) |
| .60       | 3    | 4772-1601 | power cord 31 ft.                     |
| .35       | 4    | 4746E3841 | 15 amp GFI receptacle w/cover (wht.)  |
| .35       |      | 4755-8321 | 20 amp GFI receptacle w/cover (wht.)  |
| .20       | 5    | 4752-2371 | 20 amp receptacle w/cover (wht.)      |
| .20       | 6    | 4752-2361 | 15 amp receptacle w/cover (wht.)      |
|           |      | 4746A3851 | receptacle box                        |
|           | 7    | 4752A8461 | thermostat                            |
| .20       | 8    | 4756B8811 | plastic base & bracket                |
| .25       | 9    | 4753B9171 | lp gas detector                       |



| FR  | Code | Part #      | Description                     |
|-----|------|-------------|---------------------------------|
| .25 | 1    | 4759E2531   | cabinet top 4256                |
| .25 |      | 4759B9731   | cabinet top 4276                |
| .25 |      | 4701A9441   | cabinet top 4275                |
| .30 |      | 4060462511P | t-molding 10' pkg.              |
| .30 | 2    | 4759F254    | cabinet side 4256               |
| .30 |      | 4759C925    | cabinet side 4276               |
| .30 |      | 4701B946    | cabinet side 4275               |
| .65 | 3    | 4060137505P | 3/8" f-channel 48" pc.          |
| .10 | 4    | 4762-4878   | hinge                           |
| .15 | 5    | 4759B9221   | dr. pnl. 15 1/4" x 18" 4256     |
| .15 |      | 4757C4041   | dr. pnl. 9 1/8" x 12" 4276      |
| .15 |      | 4769-0881   | dr. pnl. 17 1/4" x 15 1/8" 4275 |
| .15 |      | 4733-6391   | latch & strike pkg.             |
| .10 | 6    | 4748C3951   | door pull (includes screw)      |
| .50 | 7    | 4759C926    | cabinet front 4256              |
| .50 |      | 4759D926    | cabinet front 4276              |
| .50 |      | 4701D947    | cabinet front 4275              |

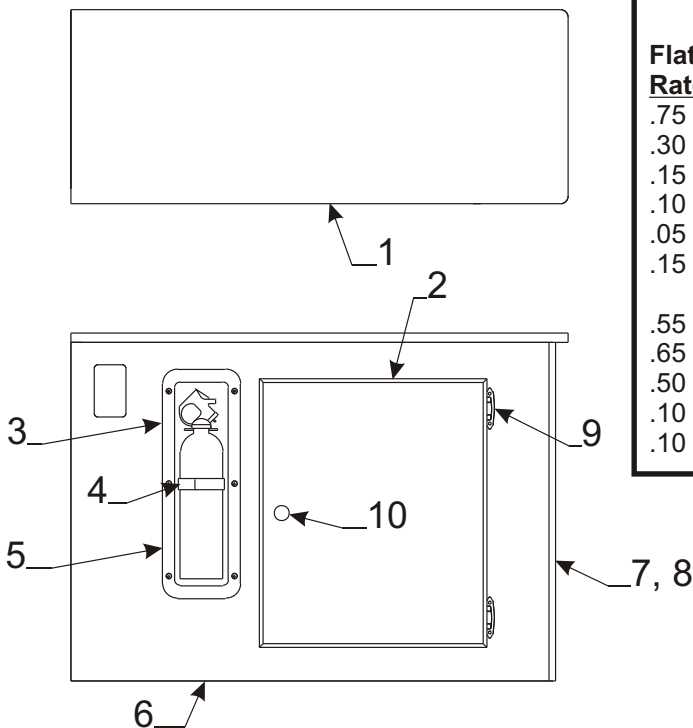


| FR   | Code | Part #      | Description                |
|------|------|-------------|----------------------------|
| 1.00 | 1    | 4769-0071   | hutch top                  |
| .30  |      | 4060462511P | t-molding pkg. (14' pc.)   |
|      | 2    | 4769-006    | cabinet front rt.          |
|      | 3    | 6010415696P | reefer insert panel (wood) |
|      | 4    | 4769-005    | cabinet front lt.          |
| .75  | 5    | 4769A0081   | seat gazoodi               |
| .30  |      | 4060400093P | lipped t-molding 5/8"      |

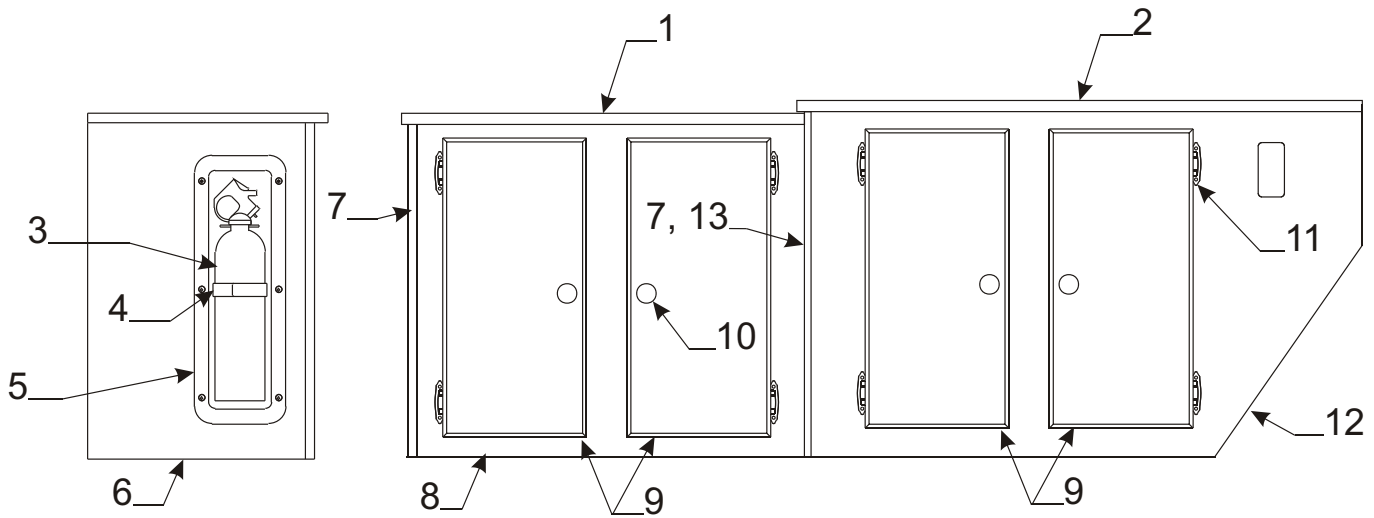


\* Add .50 with heater

| RS Frt. Hutch Assy. Components - 4227 Westlake |      |             |                                 |  |
|--|------|-------------|---------------------------------|--|
| Flat Rate                                      | Code | Part #      | Description                     |  |
| 1.00   | 1    | 4753H2741   | hutch top                       |  |
| .30  |      | 4060462511P | t-molding pkg. (14' pc.)        |  |
|  |      | 4747-8941   | plastic cap m2                  |  |
| .15  | 2    | 4757C4041   | door panel - 12" x 9 1/8"       |  |
| .15  |      | 4733-6391   | latch & strike pkg.             |  |
| .10  | 3    | 4762-4878   | hinge                           |  |
| .10  | 4    | 4748C3951   | door pull (includes screw)      |  |
| 1.50   | 5    | * 4757A1381 | hutch frt. (rt.)                |  |
| .10  | 6    | 4743-3551   | furnace grill                   |  |
| .25  | 7    | 4754A0481   | built-in cooler                 |  |
| .75  | 8    | 4753E276    | hutch frt. (lt.)                |  |
| .75  | 9    | 4767-9991   | hutch gazoodi                   |  |
| .30  |      | 4060400093P | t-molding 5/8" lipped (12' pc.) |  |

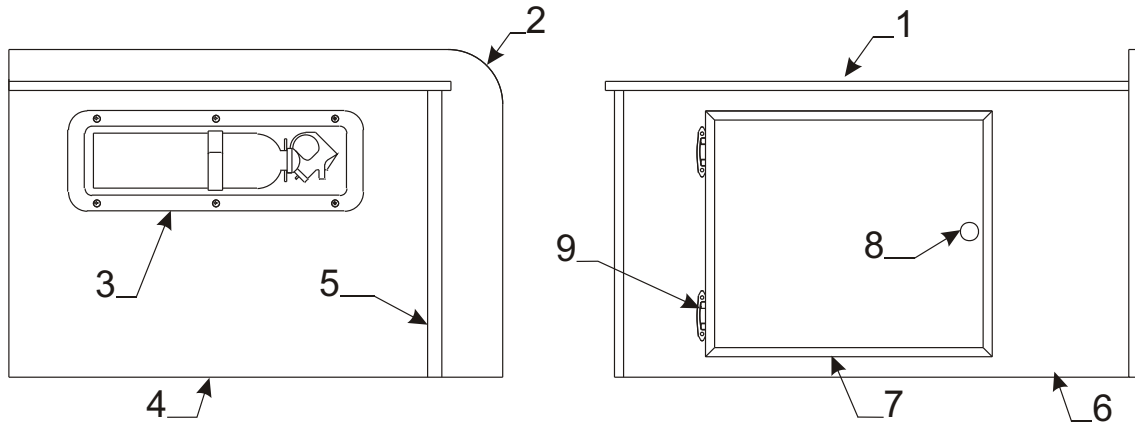


| CS Doorway Cabinet Assy. 4227 Westlake |      |             |                            |  |
|--|------|-------------|----------------------------|--|
| Flat Rate                              | Code | Part #      | Description                |  |
| .75                                    | 1    | 4754D3981   | cabinet top                |  |
| .30                                    |      | 4060462511P | t-molding pkg. (14' pc.)   |  |
| .15                                    | 2    | 4759B9221   | door pnl. 18" x 15 1/4"    |  |
| .10                                    | 3    | 4737A5558   | fire extinguisher          |  |
| .05                                    | 4    | 4716-1191   | fire extinguisher strap m2 |  |
| .15                                    | 5    | 4737B4198   | recessed mount             |  |
|  |      | 4738-3088   | screw x6                   |  |
| .55                                    | 6    | 4754E3971   | cabinet side               |  |
| .65                                    | 7    | 4060137505P | 3/8" f-channel 48" pc.     |  |
| .50                                    | 8    | 6010415696P | universal paneling         |  |
| .10                                    | 9    | 4762-4878   | hinge                      |  |
| .10                                    | 10   | 4748C3951   | door pull (includes screw) |  |



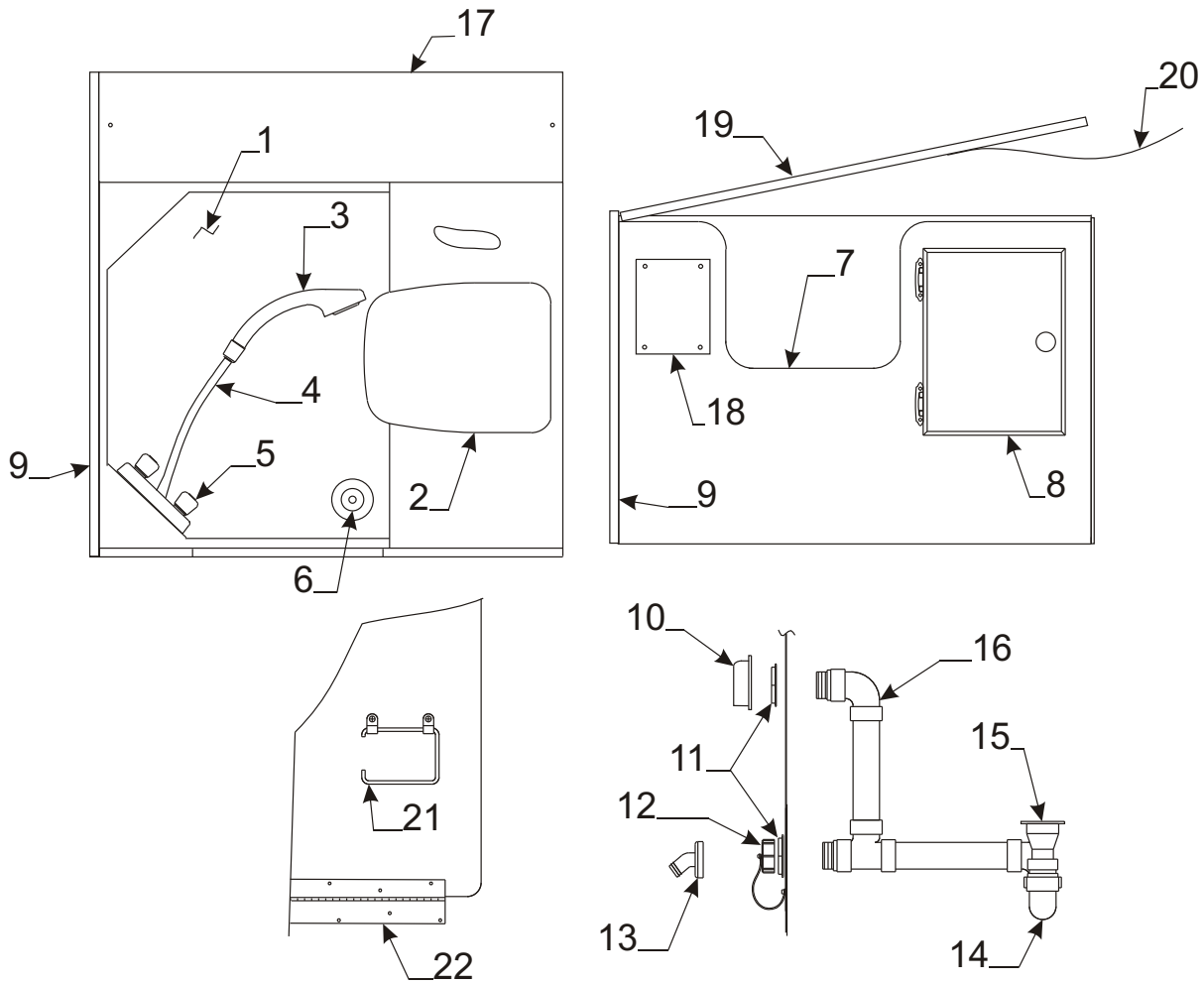
**Curbside Hutch Assy. 4256 Yuma**

| Flat Rate | Code | Part #      | Description                | Flat Rate | Code | Part #      | Description                 |
|-----------|------|-------------|----------------------------|-----------|------|-------------|-----------------------------|
| .75       | 1    | 4767C8991   | hutch top lt. (small)      | .65       | 7    | 4060137505P | 3/8" f-channel 48" pc.      |
| .30       |      | 4060462511P | t-molding pkg. (14' pc.)   | .50       | 8    | 4759C3961   | hutch front "lt."           |
| .75       | 2    | 4759F3941   | hutch top rt. (Large)      | .15       | 9    | 4759B3411   | door panel 19 1/4" x 9 1/4" |
| .10       | 3    | 4737A5558   | fire extinguisher          | .10       | 10   | 4748C3951   | door pull w/screw           |
| .05       | 4    | 4716-1191   | fire extinguisher strap m2 | .10       | 11   | 4762-4878   | hinge                       |
| .15       | 5    | 4737B4198   | recessed mount             | 1.00      | 12   | 4767A4681   | hutch front "rt."           |
|           |      | 4738-3088   | screw x6                   | .50       | 13   | 4767A469    | hutch center panel          |
| .55       | 6    | 4759B3951   | hutch side                 |           |      |             |                             |



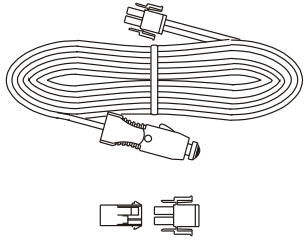
| Flat Rate | Code | Part #      | Description              | Flat Rate | Code | Part #      | Description                 |
|-----------|------|-------------|--------------------------|-----------|------|-------------|-----------------------------|
| .75       | 1    | 4759D4221   | cabinet top              | .65       | 5    | 4060137505P | 3/8" f-channel 48" pc.      |
| .30       |      | 4060462511P | t-molding pkg. (14' pc.) | .50       | 6    | 4759B4211   | cabinet front               |
| .35       | 2    | 4759D4251   | gazoodi                  | .15       | 7    | 4759B3421   | dr. pnl. 15 3/4" x 13 1/2"  |
| .30       | 3    | 4060400093P | t-molding pkg. (14' pc.) | .10       | 8    | 4748C3951   | door pull (includes screws) |
|           | 4    | 4759B4231   | cabinet side             | .10       | 9    | 4762-4878   | hinge                       |



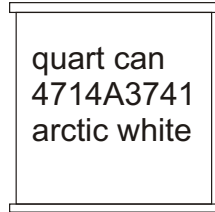


| Shower Stall Components - 4227 Westlake |      |             |                          |      |      |           |                          |
|---|------|-------------|--------------------------|------|------|-----------|--------------------------|
| FR                                      | Code | Part #      | Description              | Rate | Code | Part #    | Description              |
| 1.50                                    | 1    | 4759B1001   | shower pan               | .50  | 11   | 4757-0921 | metal nut "white"        |
| .75                                     | 2    | 4746D2461   | cassette potty           | .10  | 12   | 4714A2861 | cap & strap              |
| .15                                     | 3    | 4767-0101   | shower head w/bracket    |      | 13   | 4737-9138 | drain adapter            |
|   |      | 4767-0111   | shower head brkt.        | .40  | 14   | 4752-3621 | p-trap w/union joint     |
| .20                                     | 4    | 4741B2051   | shower hose (72" length) |      | 15   | 4757-8561 | drain plug adapter       |
| .50                                     | 5    | 4741B2071   | shower diverter          | 1.00 | 16   | 4741B9301 | vent system              |
| .10                                     |      | 4716-0848   | shower hose connector    | .15  | 17   | 4768C0121 | tub storage cover w/hole |
| .50                                     | 6    | 4746A1821   | basket & strainer        | .25  | 18   | 4757C2171 | access cover             |
| 1.50                                    | 7    | 4768A0051   | shower threshold         | .40  | 19   | 4767-7141 | shower cover board       |
| .30                                     |      | 4060300083P | t-molding (12' pc.)      | .15  | 20   | 4757A6701 | hold-up strap            |
| .15                                     | 8    | 4768-0021   | door pnl. 12" x 14 3/4"  | .15  | 21   | 4756-9121 | TP holder                |
| .75                                     | 9    | 4768-0031   | shower wall              |      |      | 4747-2531 | nylon clamp m2           |
| .30                                     |      | 4060400093P | t-molding pkg. (12' pc.) | .25  | 22   | 4756-4441 | hinge                    |
| .20                                     | 10   | 4757-9261   | vent cover "plastic"     |      | 23   | 4741D6361 | tub package (Not Shown)  |

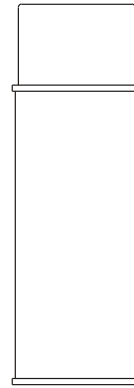
4733D6701 auto extension



4716A4701 12 volt cap & plug m2



quart can  
4714A3741  
arctic white

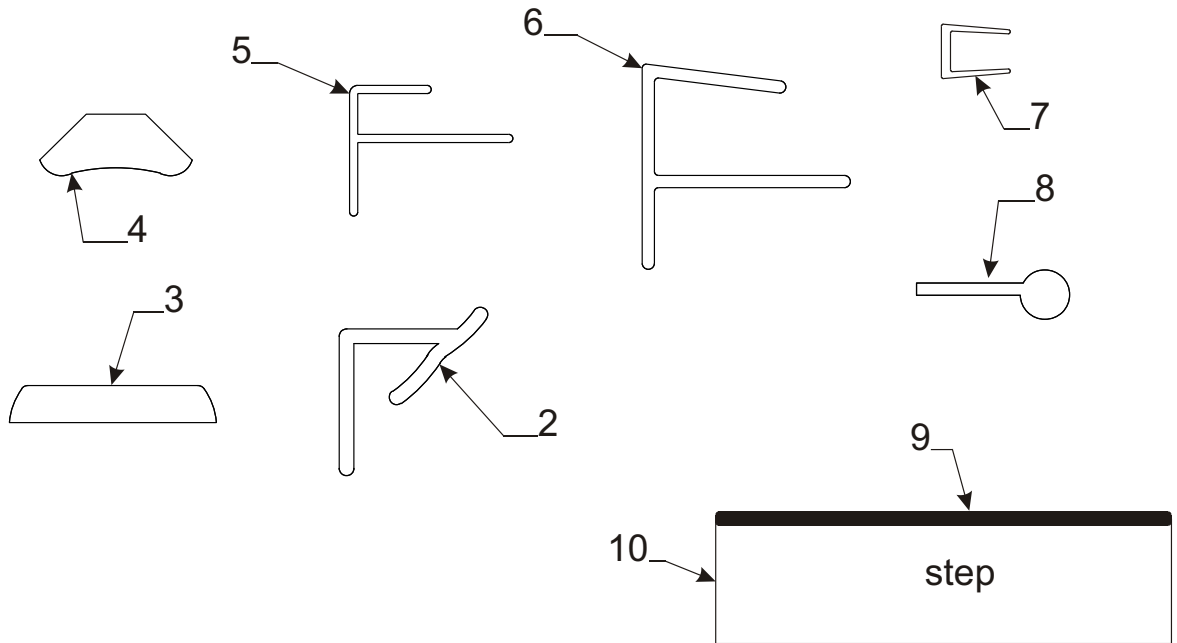


16 oz. spray

- 0008-2561 arctic white
- 0008-2641 black "textured"
- 0008-2571 black
- 0008-2701 summit ash (brown)

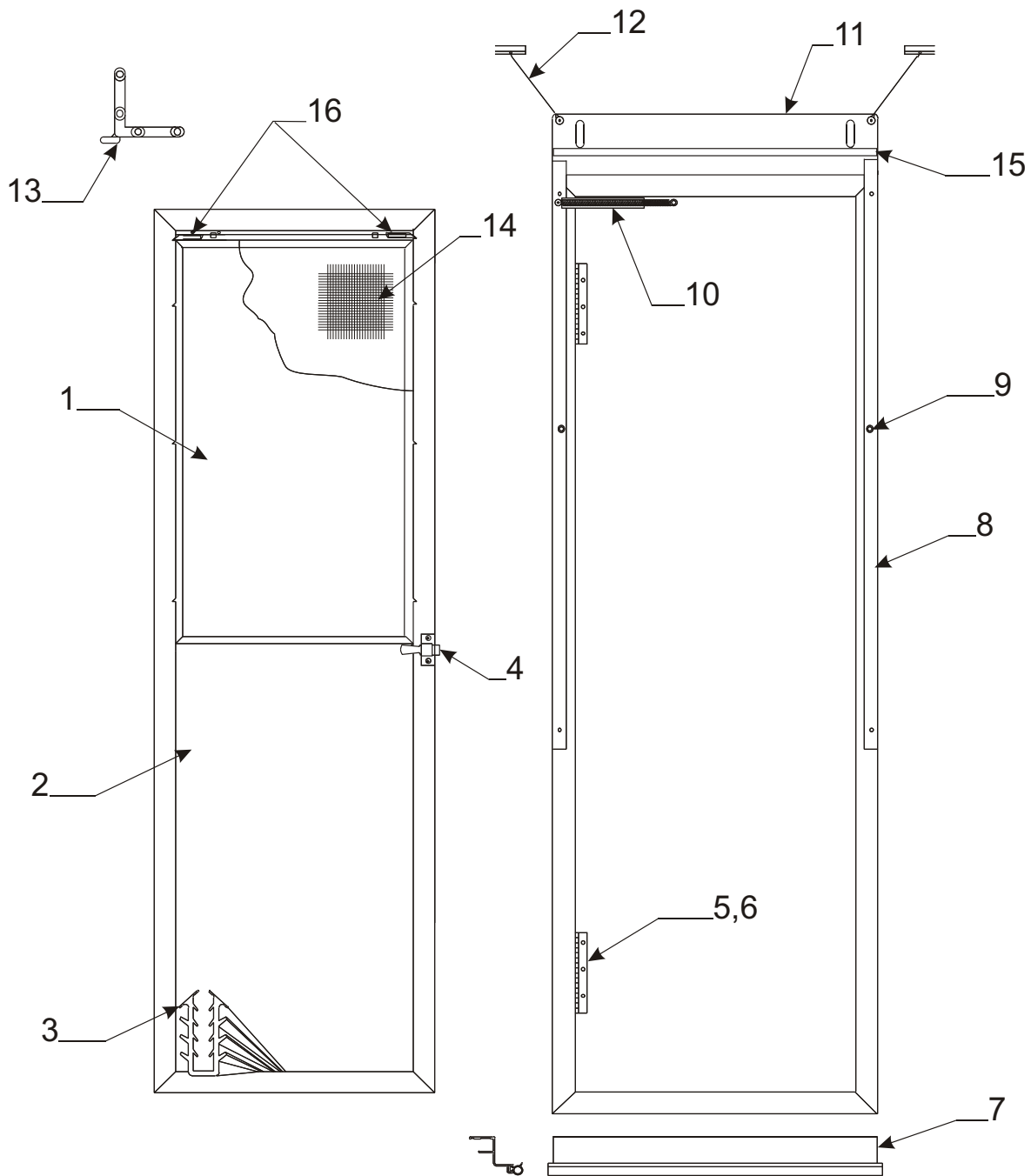


4745C3908  
caulking  
arctic white



\* Prior Authorization Needed

| Flat Rate | Paneling/Trim & Step Carpet (Must Cut To Size)          |
|-----------|---|
| Code      | Part # Description                                      |
| * 1       | 6010415696P woodgrain wall panel (summit ash) 48" x 48" |
| * 2       | 4060400379P plastic corner divider (summit ash) 48" pc. |
| * 3       | 4066500069P wood batten strip (summit ash) 48" pc.      |
| * 4       | 4060475011P wood inside corner (summit ash) 48" pc.     |
| * 5       | 4060115605P 5/32" F-channel woodgrain 48" (summit ash)  |
| * 6       | 4060137505P 3/8" F-channel woodgrain 48" (summit ash)   |
| 7         | 4060015604P 5/32" U-channel 48" (summit ash)            |
| 8         | 4060000031P sponge gimp 3/16" (21' pc. pkg.) brown      |
| 9         | 4350500005P 1" wood grain tape (summit ash) 150' roll   |
| 9         | 4769-1161 carpet "brown" 39" x 11 3/4" - Yuma, Westlake |
| 10        | 4769-1011 step front panel - Yuma, Westlake             |



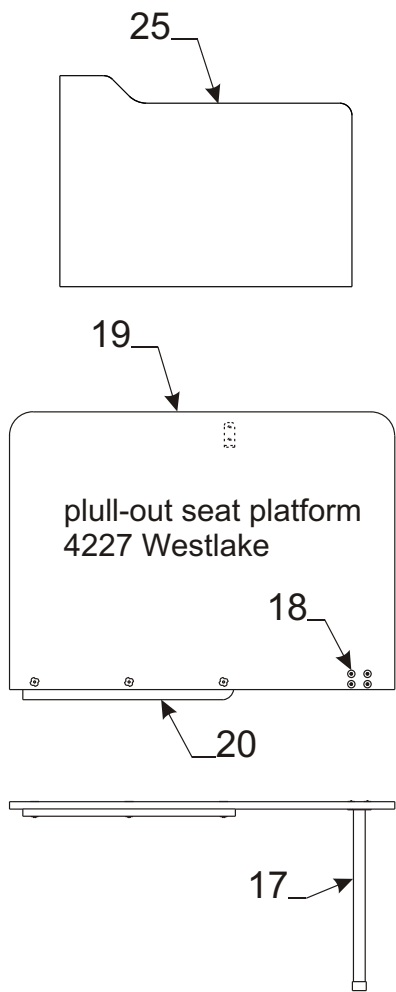
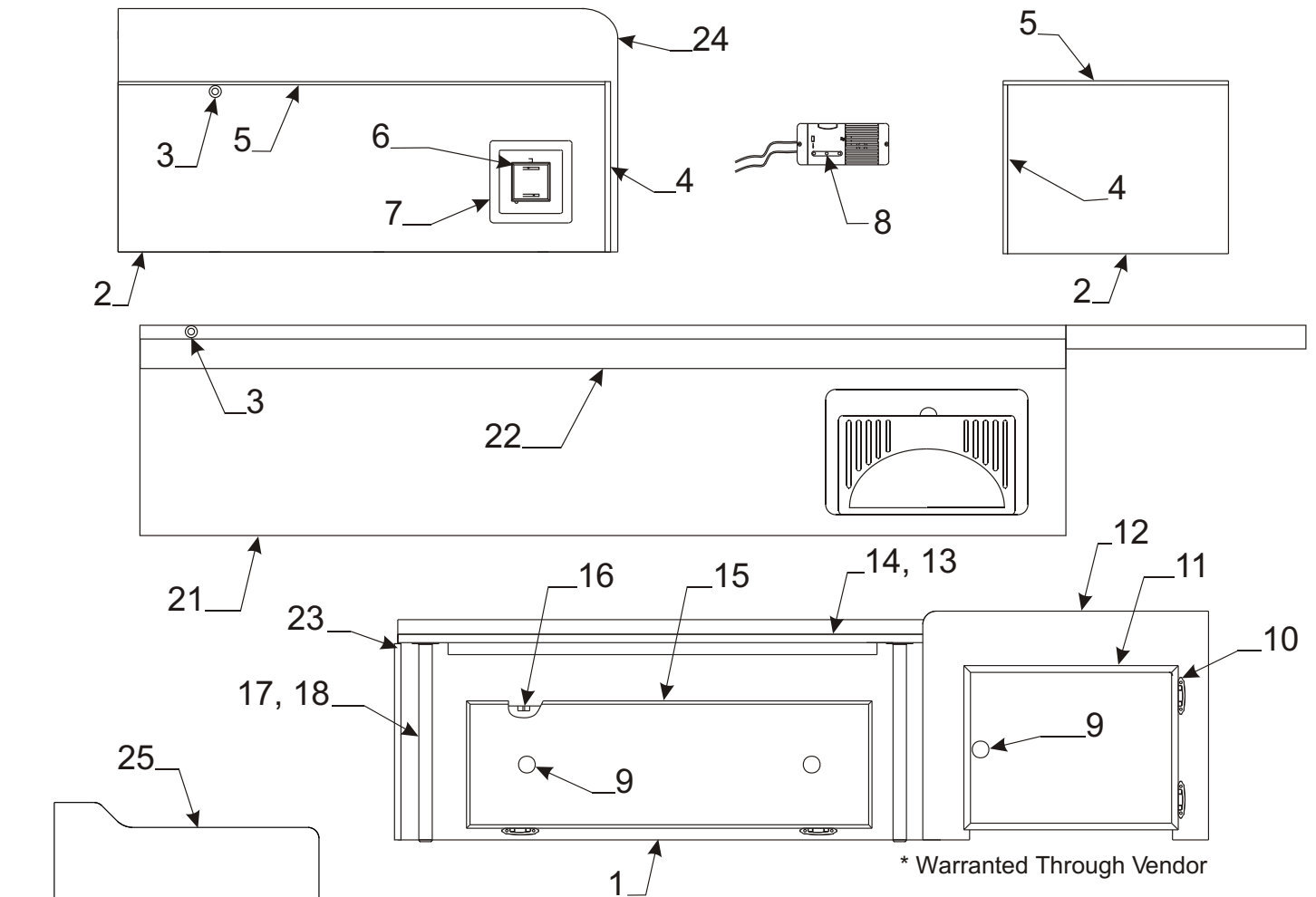
4769B5011 Screen Door Complete less latch - 4276, 4256, 4288, 4227

4701B6801 Screen Door Complete less latch - 4275 Taos

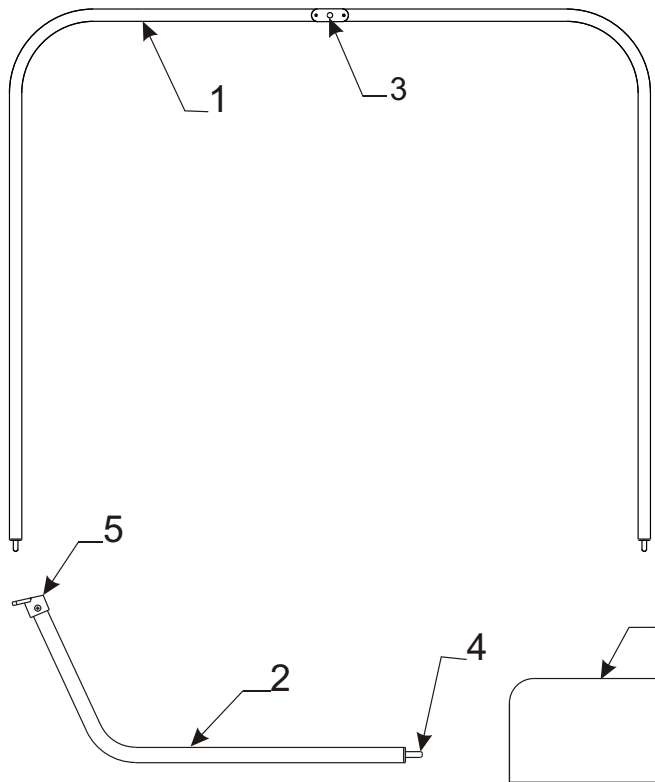
.30 Flat Rate Screen Door Complete

Note: parts marked w/\* asterisk are not included w/screen door

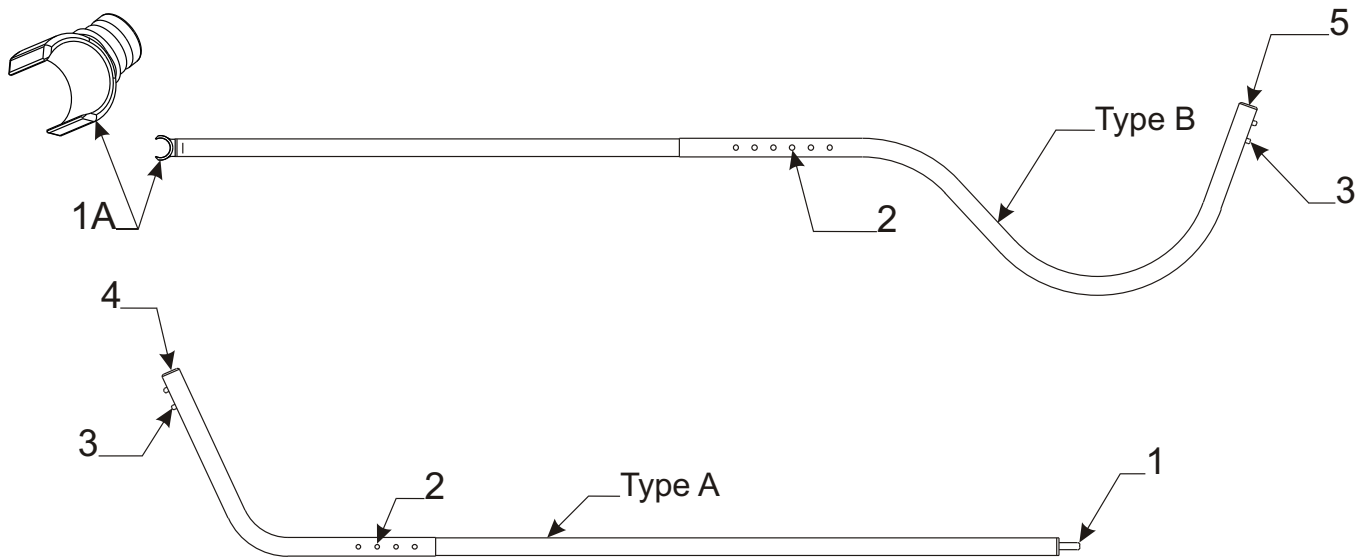
| Screen Door Components |      |              |                                       |           |      |             |                              |
|------------------------|------|--------------|---------------------------------------|-----------|------|-------------|------------------------------|
| Flat Rate              | Code | Part #       | Description                           | Flat Rate | Code | Part #      | Description                  |
| .10                    | 1    | 4716E3401    | top sliding window pane               | .05       | 9    | 4730A3548   | stud w/screw x2              |
| .40                    | 2    | 4754D1541    | stationary pane (all except Taos)     | .20       | 10   | 4731A8201   | spring package               |
| .40                    |      | 4701A1601    | stationary pane 4275 Taos             | .30       | 11   | 4758C0571   | top bracket 4256, 76, 88, 27 |
| .15                    | 3    | 4060000086F  | rubber seal (sold/foot)               | .30       |      | 4758C0561   | top bracket 4275 Taos        |
|                        |      |              | Note: around perimeter of window pane | .15       | 12   | 4734D5211   | cable assy. m6               |
| .15                    | 4    | *4742-9671   | door latch assembly                   | .50       | 13   | 4710-3791   | corner brace hinge m2        |
| .15                    | 5    | 4720C3601    | hinge x2                              | .75       | 14   | 4716-1381   | screened stationary pane     |
|                        | 6    | 1203-8641    | rivet m25                             | .20       |      | 4716-1111   | screening 36" x 18 1/2"      |
| .25                    | 7    | *4747B5621   | screen door support                   | .50       | 15   | 4060000023P | d-seal "white" (5' pkg.)     |
|                        |      | *4060000399F | rubber seal (sold/foot)               |           | 16   | 4716-3811   | window lock pkg. rt./lt.     |
| .20                    | 8    | 4754A3811    | vel-stick (pkg. of 2)                 |           |      |             |                              |



| Flat Rate | Code | Part #      | Description                                  |
|-----------|------|-------------|--|
| 1.00      | 1    | 4767B194    | bench front 4288 Sea Pine                    |
| .50       | 2    | 6010415696P | wood grain wall panel (summit ash) 48" x 48" |
| .05       | 3    | 4724-2608   | stop button                                  |
|           |      | 1103B1012   | #10 - 3/4" screw                             |
| .35       | 4    | 4060115605P | 5/32" f-channel 48" pc.                      |
| .50       | 5    | 4060015604P | 5/32" u-channel 48" pc.                      |
| *         | 6    | 4752A8461   | thermostat                                   |
| .20       | 7    | 4756B8811   | plastic base & bracket                       |
| .25       | 8    | 4753B9171   | lp gas detector                              |
| .10       | 9    | 4748C3951   | door pull w/screw                            |
| .10       | 10   | 4762-4878   | hinge  |
| .15       | 11   | 4759B3421   | door pnl. 15 3/4" x 13 1/2" - 4288, 4276     |
| .30       | 12   | 4767A2041   | seat end curbside bench - 4288 Sea Pine      |
| .40       | 13   | 4767-195    | bench wood w/slots - 4288 Sea Pine           |
|           | 14   | 4754A7581   | pull-out seat platform - 4288 Sea Pine       |
| .15       | 15   | 4767A2001   | door pnl. 30 1/4" x 9 1/4"                   |
| .15       | 16   | 4766-0371   | roller latch                                 |
| .25       | 17   | 4767B1931   | platform leg 4288, 4227                      |
| .10       |      | 4752-0551   | plastic end cap m2                           |
|           |      | 4756-1591   | rivet m25 (affix leg to platform)            |
|           | 19   | 4756B8021   | pull-out seat platform 4227 Westlake         |
| .50       | 20   | 4755A4251   | table rest 4227 Westlake                     |
|           | 21   | 4754B237    | seat panel 4227 Westlake                     |
| .50       | 22   | 4754B2391   | table rest 4227 Westlake                     |
| .15       | 23   | 4060400379P | corner trim 48" pc.                          |
| .75       | 24   | 4759C4111   | seat gazoodi 4256 Yuma                       |
| .75       |      | 4769A0081   | seat gazoodi 4276 Sedona                     |
| .30       | 25   | 4749J9881   | seat end curbside bench 4275 Taos            |
| .35       |      | 4749L9891   | seat end roadside bench 4275 Taos            |
| .30       |      | 4060400093P | t-molding 5/8" lipped (12' pc. pkg.)         |

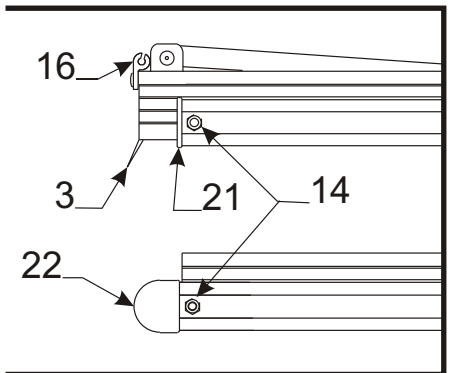
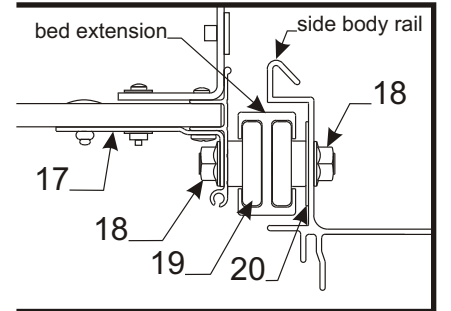
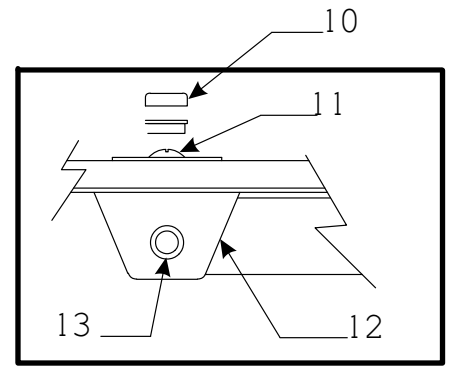
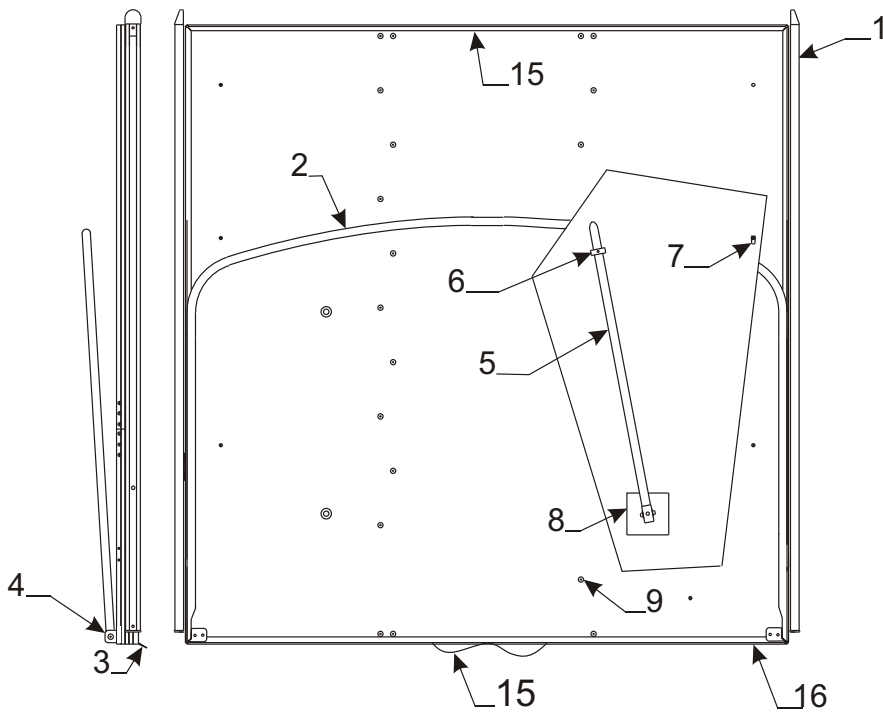


| Flat Rate | Code | Part #    | Description              |
|-----------|------|-----------|--------------------------|
| .10       | 1    | 4759A5761 | tip-out tent bow assy.   |
| .05       | 2    | 4759B5751 | tip-out tent support     |
| .10       | 3    | 4754B275  | bow reinforcement plate  |
| .20       | 4    | 8470-1728 | black pin m10            |
| .10       | 5    | 4757-1351 | tent support tip w/screw |
| .10       | 6    | 4755-0971 | tip-out support board    |



| Flat Rate | Code | Part #    | Description             |
|-----------|------|-----------|-------------------------|
| .20       | 1    | 8470-1728 | pole pin "black" m10    |
| .20       | 1A   | 4757-4301 | tent support clasp m10  |
| .10       | 2    | 4734-6708 | spring assy.            |
| .10       | 3    | 4734A6708 | spring assy.            |
| .10       | 4    | 4730B4648 | tube closure "white"    |
| .10       | 5    | 4752A0561 | tube closure "black" m2 |

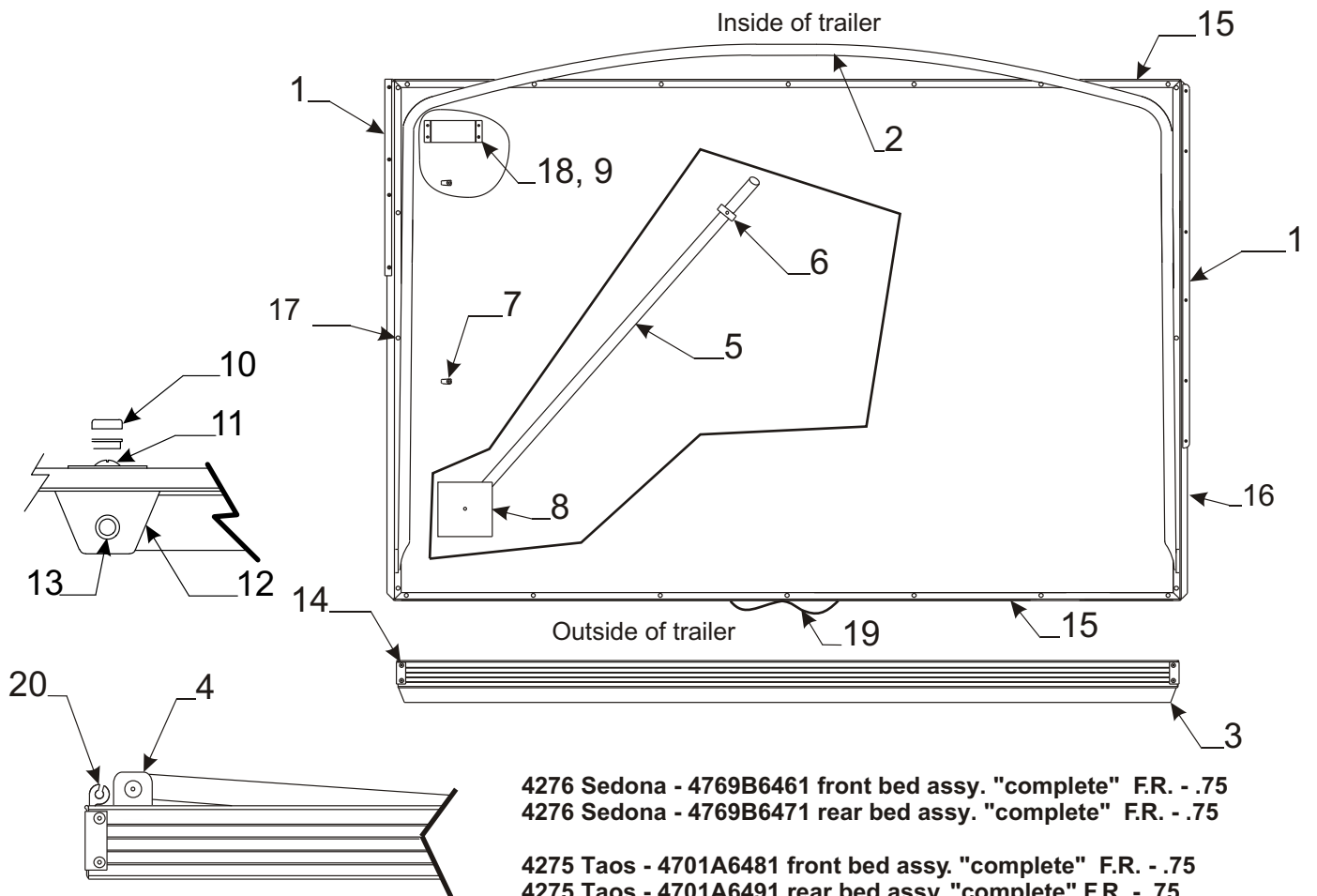
| Tent Support Assemblies (Complete) |      |           |      |           |
|------------------------------------|------|-----------|------|-----------|
| Flat Rate .10 per Tent Support     |      |           |      |           |
| Model                              | Type | Front Bed | Type | Rear Bed  |
| 4276 Sedona                        | A    | 4754A7511 | A    | 4754A7501 |
| 4275 Taos                          | A    | 4800-6781 | A    | 4701-6591 |
| 4256, 4288                         | B    | 4769B5641 | B    | 4759A6891 |
| 4227 Westlake                      | B    | 4772B6021 | B    | 4772B6021 |



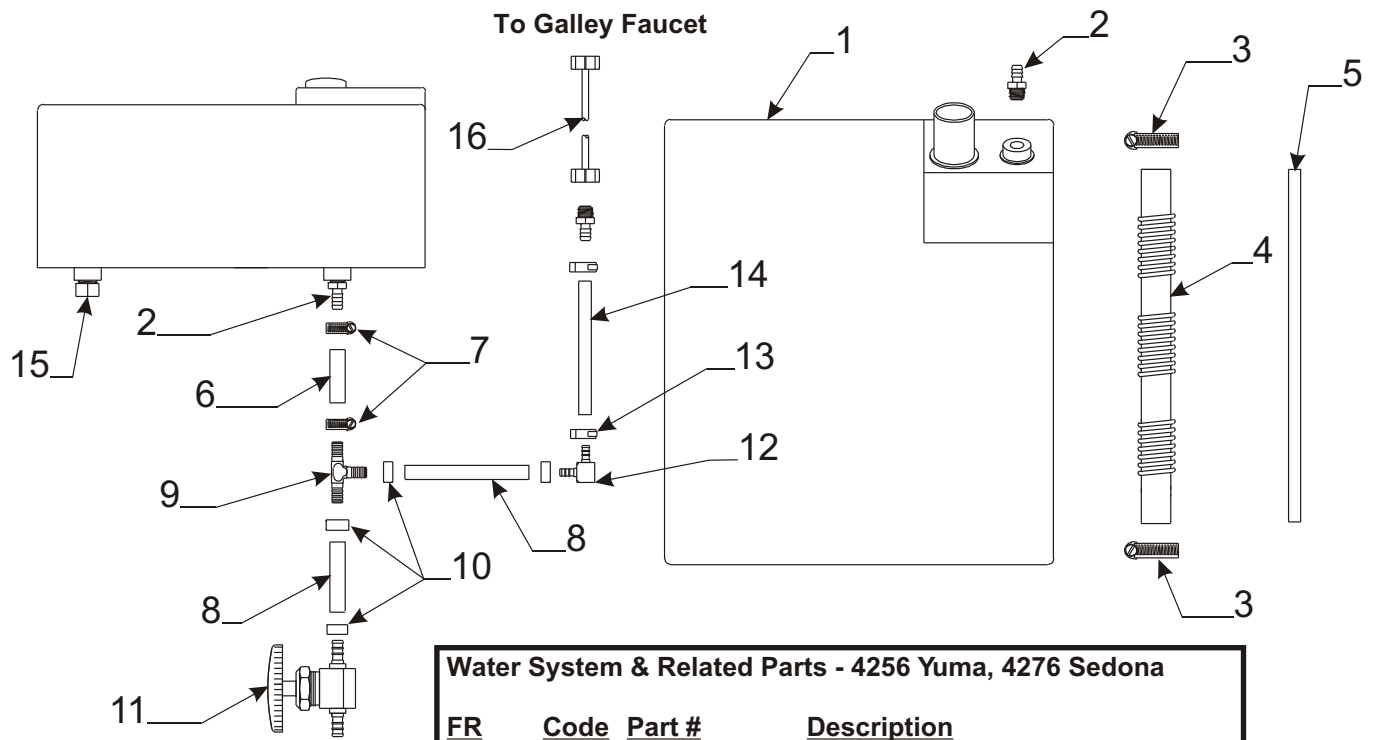
- |               |           |  |
|---------------|-----------|--|
| 4256 Yuma     | 4757-7121 | Front Bed Assy. "Complete" (Queen) F.R. - .75  |
| 4256, 4288    | 4754-7641 | Rear Bed Assy. "Complete" (Double) F.R. .75    |
| 4288 Sea Pine | 4769-5751 | Front Bed Assy. "Complete" (Queen) F. R. - .75 |
| 4227 Westlake | 4755E5161 | Front Bed Assy. "Complete" (King) F.R. - .75   |
| 4227 Westlake | 4754H5691 | Rear Bed Assy. "Complete" (King) F.R. .75      |

| Flat Rate | Front/Rear Bed Assy. Code | Components Part # | Description                                    |
|-----------|---------------------------|-------------------|--|
| **        | 1                         | 4716U4031         | bed extension (x2 per bed)                     |
|           |                           |                   | <b>Note: must cut to size were applicable.</b> |
| .25       | 2                         | 4714C1901         | tent bow/leg package                           |
| .25       | 3                         | 4060300339P       | vinyl bed seal pkg. (8' pc.)                   |
| .15       | 4                         | 4720K5631         | bed bow bracket M2                             |
| .05       |                           | 4757-9241         | 1 1/2" nylon fender washer m4                  |
| .20       | 5                         | 4734E5881         | bed leg assy. m2 (x2 front beds 4256, 4288)    |
| .20       |                           | 4753-3811         | bed leg assy. (x2 rear beds 4256, 4288, 4227)  |
| .20       |                           | 4767-20561        | bed leg assy. m2 (x2 front beds 4227 Westlake) |
| .15       | 6                         | 4720C0771         | bed leg clip m4                                |
|           |                           | 1203-8831         | rivet m25 (rivet clip to bed)                  |
| .15       | 7                         | 4720E4021         | lashing hook m6                                |
|           |                           | 1203-8741         | rivet m25 (rivet hook to bed)                  |
| .20       | 8                         | 4737A4178         | support plate                                  |
|           | 9                         | 1203C8721         | rivet m25                                      |
|           | 10                        | 4739E2908         | screw cap m10                                  |
|           |                           | 4739-2918         | screw cap washer m10                           |
|           | 11                        | 4716-074          | screw  |
|           |                           | 1202B2528         | washer   |
| .20       | 12                        | 4734A5141         | bed leg bracket                                |
|           | 13                        | 4720A2361         | rod & pal nut                                  |
| .20       | 14                        | 1034B16128        | flat head screw                                |
|           |                           | 1201B6378         | lock nut                                       |
| .20       | 15                        | 4758-9481         | pull-out handle strap & rivets                 |
|           |                           | 4758-8001         | rivet "black" m25                              |
| .20       | 16                        | 4758-8301         | tent retainer track & rivets                   |
|           | 17                        | 4755A2591         | bed brkt. w/mounting hardware x4               |
|           | 18                        | 4739-2298         | lock nut                                       |
| .50       | 19                        | 4754-8101         | bed roller, nut, bolt, & washer pkg.           |
|           | 20                        | 1202B2908         | washer   |
| .15       | 21                        | 4754-8631         | bed slide end cap                              |
| .15       | 22                        | 4754-4821         | bed slide wedge                                |

\*\* .50 first extension  
 \*\* .25 second extension

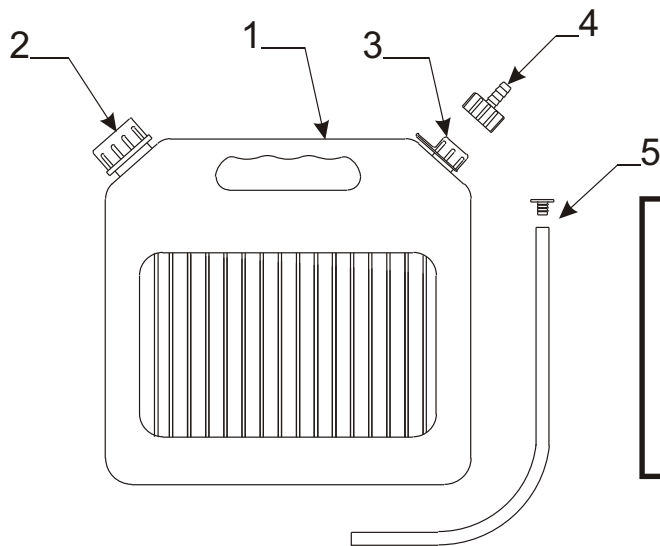


| Flat Rate | Frnt. & Rear Bed Components - Sedona, Taos | Code        | Part #                            | Description |
|-----------|--|-------------|-----------------------------------|-------------|
| .40       | 1  | 4747C4051   | plastic bed slide 18"             |             |
| .40       |  | 4747D3691   | plastic bed slide 48"             |             |
|           |  | 4752-3061   | rivet m25                         |             |
| .25       | 2  | 4714A1901   | tent bow/leg package              |             |
| .25       | 3  | 4060300339P | vinyl bed seal pkg. (8' pc.)      |             |
| .15       | 4  | 4720K5631   | bed bow bracket m2                |             |
| .20       | 5  | 4734E5881   | frt./rr bed leg assy. 4276 Sedona |             |
| .20       |  | 4701-4881   | frt./rr bed leg assy. 4275 Taos   |             |
| .15       | 6  | 4720C0771   | bed leg clip m4                   |             |
|           |  | 1203-8831   | rivet m25                         |             |
| .15       | 7  | 4720E4021   | lashing hook m6                   |             |
|           |  | 1203-8741   | rivet m25                         |             |
| .20       | 8  | 4737A4178   | support plate                     |             |
|           | 9  | 1203C8721   | rivet m25                         |             |
|           | 10   | 4739E2908   | screw cap m10                     |             |
|           |  | 4739-2918   | screw cap washer m10              |             |
|           | 11   | 4716-074    | screw                             |             |
|           |  | 1202B2528   | washer                            |             |
| .20       | 12   | 4734A5141   | bed leg bracket                   |             |
|           | 13   | 4720A2361   | rod & pal nut                     |             |
| .20       | 14   | 4747A3221   | corner angle x4                   |             |
|           |  | 1203-8641   | rivet m25                         |             |
| .50       | 15   | 4747A3241   | front & rear bed frame            |             |
| .60       | 16   | 4702-4031   | side rail csf/rsf 4275, 4276      |             |
| .60       | 17   | 4702-4011   | side rail csr/rsr 4275, 4276      |             |
| .20       | 18   | 4749B4891   | bed stop                          |             |
| .20       | 19   | 4758-9481   | pull-out strap & rivets           |             |
|           |  | 4758-8001   | rivet "black" m25                 |             |
| .50       | 20   | 4758-8301   | tent retainer track & rivets      |             |



**Water System & Related Parts - 4256 Yuma, 4276 Sedona**

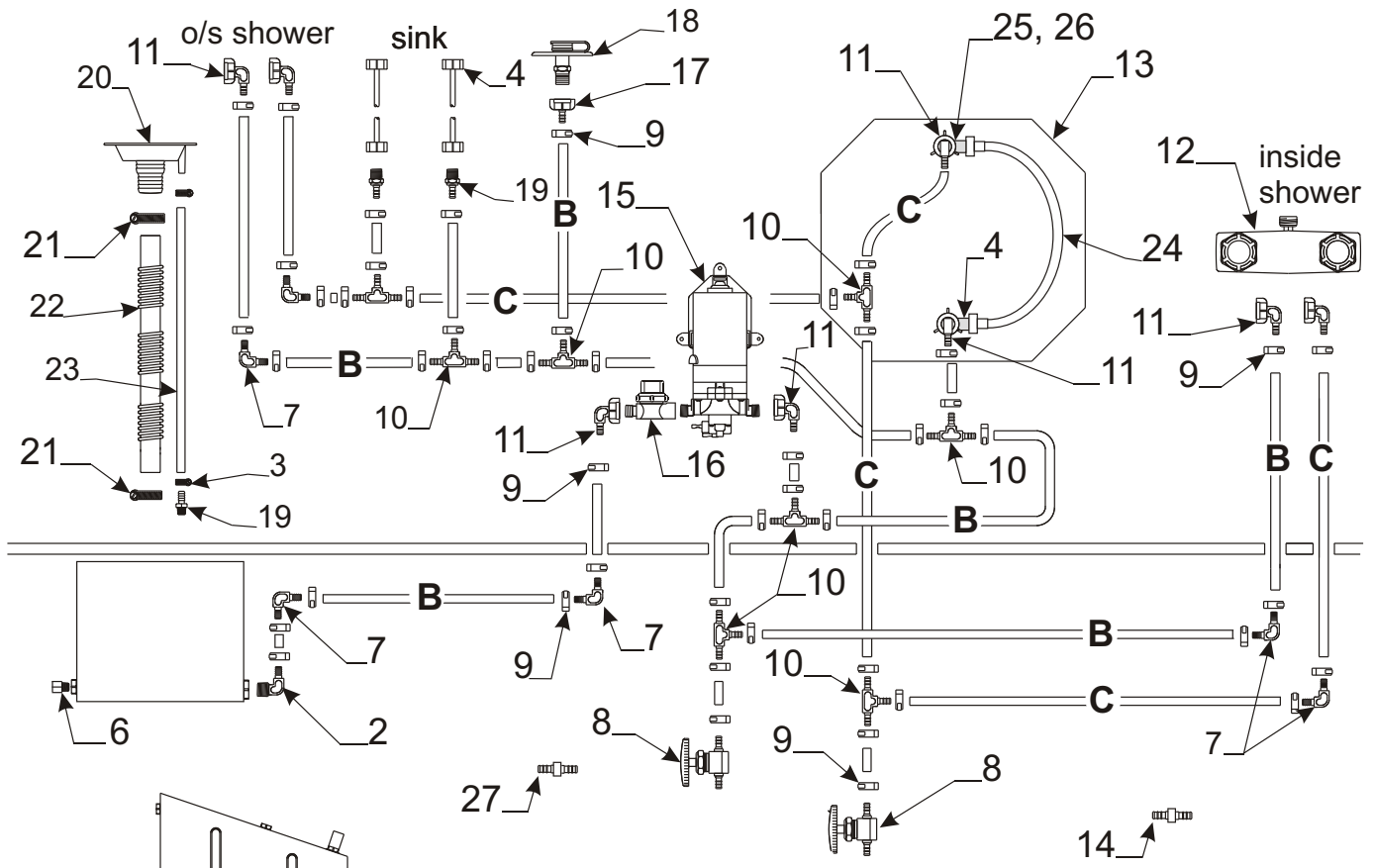
| FR  | Code | Part #      | Description                           |
|-----|------|-------------|---------------------------------------|
| .50 | 1    | 4733Y1411   | water tank (10 gallon) <b>Yuma</b>    |
| .50 |      | 4733J1411   | water tank (10 gallon) <b>Sedona</b>  |
| .15 | 2    | 4769-0638   | hose adapter                          |
|     | 3    | 4715-4501   | 1 1/4" hose clamp                     |
| .35 | 4    | 4731H1081   | water fill hose 24" pc.               |
|     | 5    | 4060050003F | 1/2" h.p. hose (sold/foot)            |
| .25 | 6    | 4750C5861   | o/s shower complete                   |
|     |      | 4716-7511   | key Ch751 m2                          |
| .15 |      | 4750A2961   | lock assy. w/key                      |
|     | 7    | 4731-3058   | adjustable hose clamp                 |
|     | 8    | 4060050006P | pex tubing "cold" (20' pc. pkg.)      |
| .25 | 9    | 4769-0608   | barbed tee 1/2"                       |
|     | 10   | 4741A2751   | stainless steel clamp M100            |
| .20 | 11   | 4769-0598   | line drain 1/2" barbed                |
| .25 | 12   | 4769-0618   | 1/2" barbed elbow                     |
| .25 | 13   | 4741A2751   | stainless steel clamp m100            |
|     | 14   | 4060050006P | pex tubing "cold" (20' pc. pkg.)      |
| .15 | 15   | 1218-7001   | drain plug                            |
|     | 16   | 4769-1291   | 60" water line w/ 1/2" FIP x 1/2" FIP |



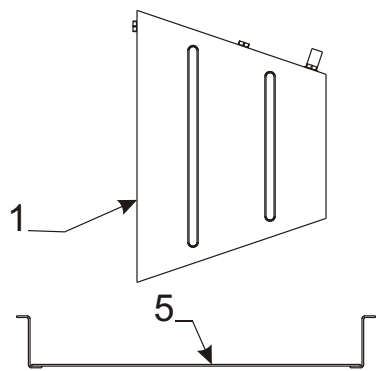
**Flat Rate Portable Water Tank - 4275 Taos**

| Flat Rate | Code | Part #    | Description                  |
|-----------|------|-----------|------------------------------|
| .10       | 1    | 4735-2131 | water tank 5 gal. (complete) |
|           |      | 4735C0988 | water tank decal             |
|           | 2    | 4714-0231 | large cap                    |
|           | 3    | 4714-0221 | small cap & strap            |
|           | 4    | 4714-0241 | barb stem & collar           |
|           | 5    | 4714A0671 | suction stem                 |



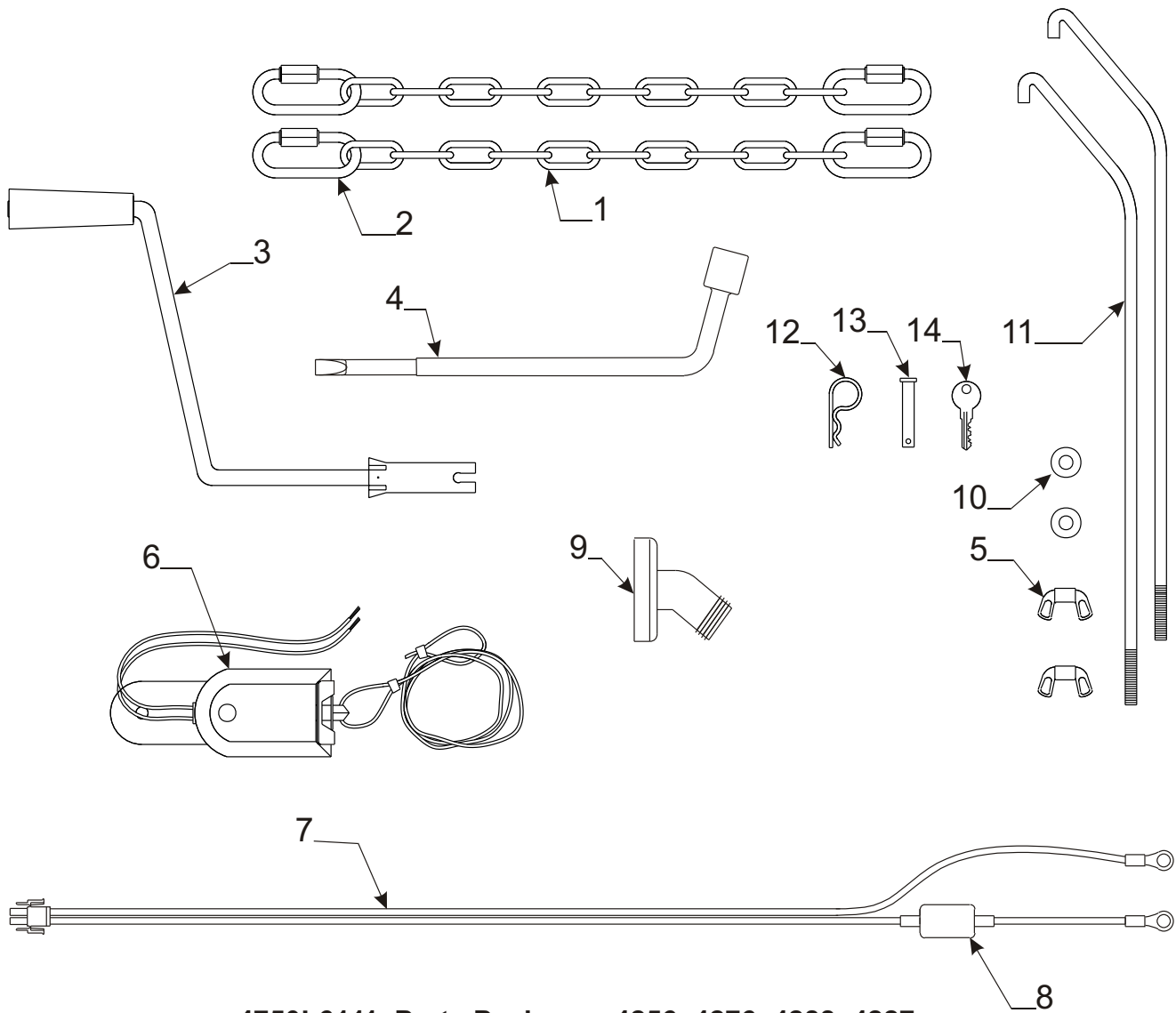


**B** 4066550013P 1/2" I.D. pex tubing "cold" (20' pc. pkg.)  
**C** 4066550014P 1/2" I.D. pex tubing "hot" (20' pc. pkg.)



\* Warranted By Vendor

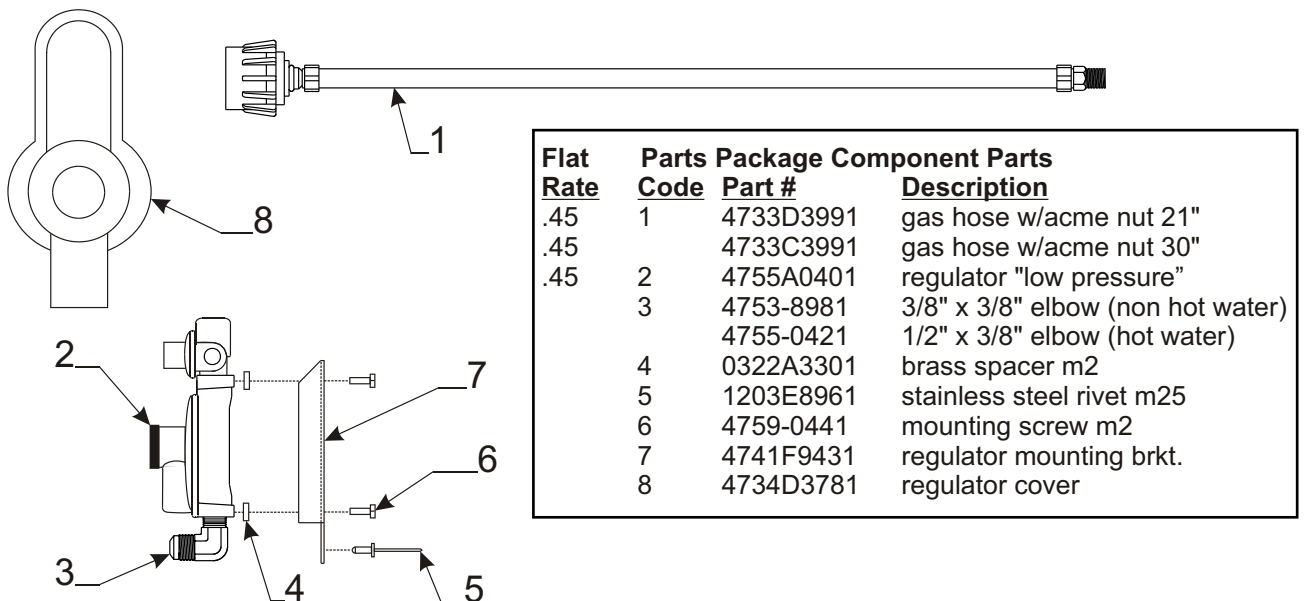
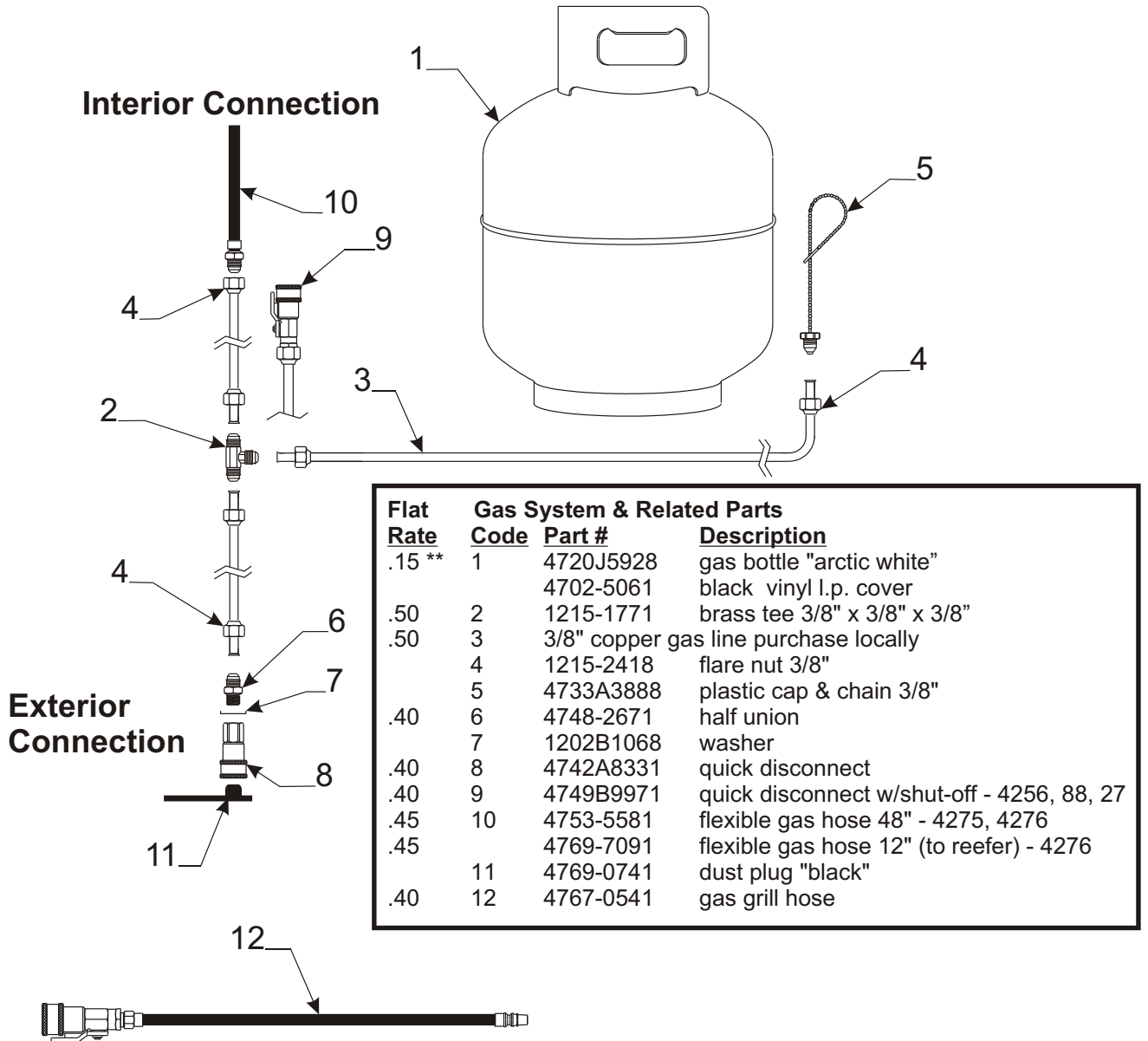
| Water System & Related Parts - Sea Pine, Westlake |      |             |                                 |
|---|------|-------------|---------------------------------|
| FR  | Code | Part #      | Description                     |
| 1.50  | 1    | 4757B0521   | water tank <b>4288 Sea Pine</b> |
| 1.50  |      | 4768-0271   | water tank <b>4227 Westlake</b> |
| .25   | 2    | 4769-0648   | 1/2" barb x 1/2" mpt elbow      |
|   | 3    | 4731-3058   | adjustable hose clamp 3/8"      |
|   | 4    | 4769-1301   | 48" water line 1/2" FIP ends    |
| .20   | 5    | 4758-5381   | tank hanger x2 (all)            |
| .15   | 6    | 1218-7001   | tank plug                       |
| .25   | 7    | 4769-0618   | 1/2" x 1/2" barbed elbow        |
| .20   | 8    | 4769-0598   | 1/2" barbed line drain          |
| .25   | 9    | 4765-2351   | 1/2" ss clamp m100              |
| .25   | 10   | 4769-0608   | 1/2" barbed tee                 |
| .25   | 11   | 4769-0628   | 1/2" b x 1/2" fpt swivel elbow  |
| .50   | 12   | 4741B2071   | shower diverter                 |
| *   | 13   | 4750-3421   | water heater                    |
|   | 14   | 4755A4828   | 1/2" x 1/2" insert coupler      |
| .50   | 15   | 4741F5571   | electric water pump             |
| .25   | 16   | 4747A8311   | water filter                    |
| .20   | 17   | 4769-0588   | 1/2" straight swivel adapter    |
| .30   | 18   | 4732F1521   | city fill                       |
| .15   | 19   | 4769-0638   | 1/2" b x 1/2" mpt adapter       |
| .30   | 20   | 4731D1711   | fill spout                      |
|   | 21   | 4715-4501   | adjustable hose clamp           |
| .35   | 22   | 4731H1081   | water fill hose (3' pc.)        |
| .20   | 23   | 4060050003F | 1/2" h.p. hose (sold/ft.)       |
|   | 24   | 4767-1381   | nylon bypass hose 8"            |
|   |      | 4767-1371   | 1/2" MPT brass tee              |
|   |      | 4767-1391   | brass check valve               |
|   |      | 4767-1401   | 3 way MPT shut off valve        |



**4750L6111 Parts Package - 4256, 4276, 4288, 4227**  
**4747J5871 Parts Package - 4275 Taos**

| <b>Parts Package Component Parts</b> |               |   |
|--------------------------------------|---------------|---|
| <b>Code</b>                          | <b>Part #</b> | <b>Description</b>                              |
| 1                                    | 4757-3901     | 29" tow chain w/quick links m2                  |
| 2                                    | 4757-3891     | quick link (sold/signally)                      |
| 3                                    | 4747G4141     | crank handle                                    |
| 4                                    | 4749A1861     | lug nut wrench                                  |
| 5                                    | 1201-6258     | wing nut x2                                     |
| 6                                    | 4746-0401     | breakaway switch                                |
| 7                                    | 4749B5531     | battery harness w/15 amp breaker                |
| 8                                    | 4751-4811     | 15 amp circuit breaker                          |
|                                      | 4759-0081     | 40 amp circuit breaker (power lift models only) |
| 9                                    | 4737-9138     | drain adapter                                   |
| 10                                   | 1202B0468     | washer x2 m10                                   |
| 11                                   | 4733G6281     | gas bottle mounting brkt. pkg.                  |
|                                      |               | Note: pkg. includes (2) wing nuts, washers      |
| 12                                   | 4732A4791     | safety pin m10                                  |
| 13                                   | 4771-2631     | hitch pin m5                                    |
| 14                                   | 4730B3211     | key m10 # 8025 (gold plated)                    |
|                                      | 4716-7511     | key m2 Ch751                                    |

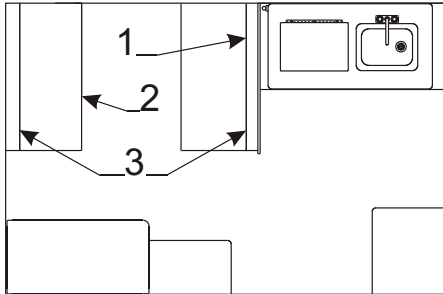
**\*\* Serial Number Of Gas Bottle Must Be Supplied When Submitting Warranty**



Dinette Area Cushion/Backrest Assys. & Covers - 2008 Sedona, Taos Flat Rate .10 Assembly - .25 Cover

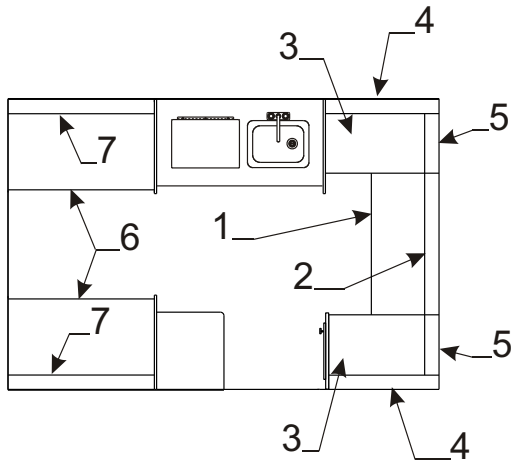
| Model       | Cushion Assy. | Cushion Cover | Model       | Backrest Assembly | Backrest Cover |
|-------------|---------------|---------------|-------------|-------------------|----------------|
| 4276 Sedona | 4769A7051     | 4714A7051     | 4276 Sedona | 4769A7061         | 4714A7061      |
| 4275 Taos   | 4701B6771     | 4714B6771     | 4275 Taos   | 4701A6761         | 4714A6761      |

Plastic Cushion Button x2 - 4710-2681 m5



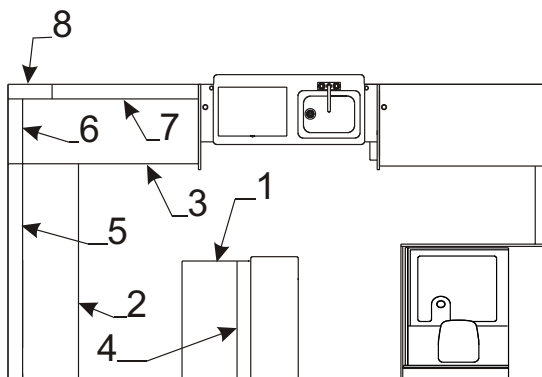
| Flat Rate | Cushion & Backrest Assy.'s | Code      | Part #                               | Description |
|-----------|----------------------------|-----------|--------------------------------------|-------------|
| .10       | 1                          | 4759G8921 | cushion assy. 40 3/4" x 17 1/4" x 4" |             |
| .25       |                            | 4714G8921 | cushion cover                        |             |
| .10       | 2                          | 4759F8851 | cushion assy. 40 3/4" x 15" x 4"     |             |
| .25       |                            | 4714F8851 | cushion cover                        |             |
| .10       | 3                          | 4759F8931 | backrest assy. 40" x 16 3/4" x 4"    |             |
| .25       |                            | 4714F8931 | backrest cover                       |             |

Plastic Cushion Button x2 - 4710-2681 m5



| Flat Rate | Cushion & Backrest Assy.'s | Code      | Part #                            | Description |
|-----------|----------------------------|-----------|-----------------------------------|-------------|
| .10       | 1                          | 4754C7711 | cushion assy. 40 1/2" x 22" x 4"  |             |
| .25       |                            | 4714C7711 | cushion cover                     |             |
| .10       | 2                          | 4754C7721 | backrest assy. 40 1/2" x 13" x 4" |             |
| .25       |                            | 4714C7721 | backrest cover                    |             |
| .10       | 3                          | 4754D7731 | cushion assy. 35 1/2" x 20" x 4"  |             |
| .25       |                            | 4714D7731 | cushion cover                     |             |
| .10       | 4                          | 4754C7741 | backrest assy. 35 1/2" x 13" x 4" |             |
| .25       |                            | 4714C7741 | backrest cover                    |             |
| .10       | 5                          | 4754C7751 | backrest assy. 15" x 13" x 4"     |             |
| .25       |                            | 4714C7751 | backrest cover                    |             |
| .10       | 6                          | 4759F8991 | cushion assy. 40 5/8" x 15" x 4"  |             |
| .25       |                            | 4714F8991 | cushion cover                     |             |
| .10       | 7                          | 4759F8901 | backrest assy. 39 1/2" x 14" x 4" |             |
| .25       |                            | 4714F8901 | backrest cover                    |             |

Plastic Cushion Button x2 - 4710-2681 m5



| Flat Rate | Cushion & Backrest Assy.'s | Code      | Part #                                | Description |
|-----------|----------------------------|-----------|---------------------------------------|-------------|
| .10       | 1                          | 4754F6611 | cushion assy. 31 3/4" x 15 3/4" x 4"  |             |
| .25       |                            | 4714F6611 | cushion cover                         |             |
| .10       | 2                          | 4754F6621 | cushion assy. 57 3/4" x 20" x 4"      |             |
| .25       |                            | 4714F6621 | cushion cover                         |             |
| .10       | 3                          | 4754F6631 | cushion assy. 52" x 22 1/2" x 4"      |             |
| .25       |                            | 4714F6631 | cushion cover                         |             |
| .10       | 4                          | 4754F6581 | backrest assy. 31 3/4" x 15 3/4" x 4" |             |
| .25       |                            | 4713F6581 | backrest cover                        |             |
| .10       | 5                          | 4754F6701 | backrest assy. 42 1/2" x 14 3/4" x 4" |             |
| .25       |                            | 4714F6701 | backrest cover                        |             |
| .10       | 6                          | 4754G5991 | backrest assy. 32 1/2" x 14 3/4" x 4" |             |
| .25       |                            | 4714G5991 | backrest cover                        |             |
| .10       | 7                          | 4754F6591 | backrest assy. 47" x 14" x 4"         |             |
| .25       |                            | 4715F6591 | backrest cover                        |             |
| .10       | 8                          | 4756C8051 | backrest assy. 8 1/2" x 14 3/4" x 4"  |             |
| .25       |                            | 4714C8051 | backrest cover                        |             |

**Drape Package (Less Valance Pkg.) - FR .30****Note: Package includes privacy curtains**

| <u>Model</u>  | <u>Drape Pkg.</u> | <u># Of Panels</u> |
|---------------|-------------------|--------------------|
| 4256 Yuma     | 4767G5821         | 8                  |
| 4288 Sea Pine | 4769F5931         | 9                  |
| 4227 Westlake | 4767B7221         | 10                 |
| 4276 Sedona   | 4724W8361         | 8                  |
| 4275 Taos     | 4768-7131         | 8                  |

**Drape Tab C-Shape - FR .05**

4750-2891 drape tab M60

**Privacy Curtain Pkgs. (Set of 2 Panels) - FR .15**

4713G5821 - Yuma, Sea Pine, Westlake, Sedona

4713-7131 - Taos

**Shower Curtain "Vinyl" 4757-7301- 4227 Westlake**

Flat Rate - .20 4748-8161 shower curtain clip m10

**Dressing Room Curtain - FR .20**

4768A7041- 4227 Westlake

**Single Drape Panel w/Safety Strap - FR .15**

4713-7231 Single Drape Panel 23.5" x 48 1/2" - 4275 Taos

4713-7481 Single Drape Panel 48" x 48 1/2" - 4275 Taos

4713-8171 Single Drape Panel 17" x 43 1/2" - 4276 Sedona

4713-8361 Single Drape Panel 36" x 43 1/2" - 4276 Sedona

4713A2521 Single Drape Panel 52" x 45" - 4256 Yuma

4713A2351 Single Drape Panel 35" x 45" - 4256, 4288

4713A2431 Single Drape Panel 43" x 45" - 4288 Sea Pine

4713A2111 Single Drape Panel 11" x 45" - 4227 Westlake

4713A2161 Single Drape Panel 17" x 45" - 4227 Westlake

4713B2321 Single Drape Panel 32" x 45" - 4227 Westlake

**Valance Package - FR .25**

4755L2761 - 4275 Taos, 4276 Sedona

4755C7541 - 4256 Yuma

4759F8891 - 4288 Sea Pine

4767A7231 - 4227 Westlake

**Drape Tie Package (Qty. 1) - FR .05**

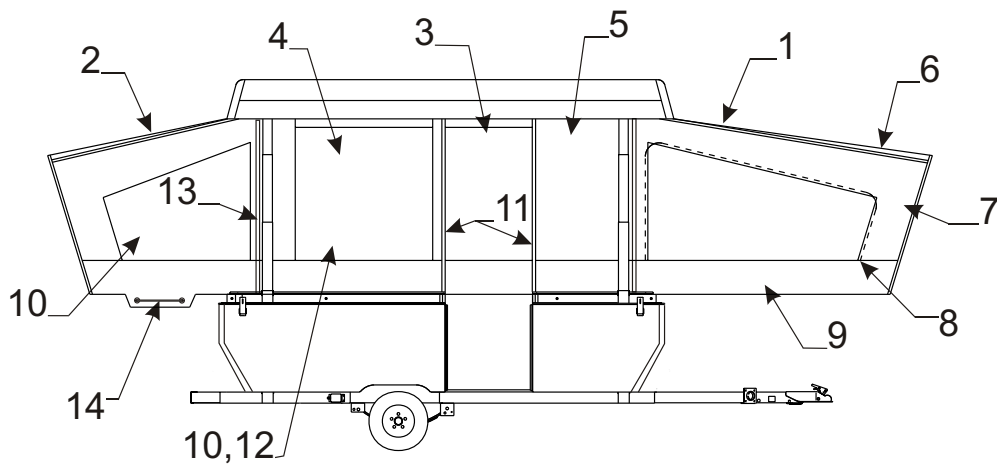
4767-8371 - All models

**Mattress Assemblies & Covers Flat Rate .50 per cover****Flat Rate .10 Matt assy.**

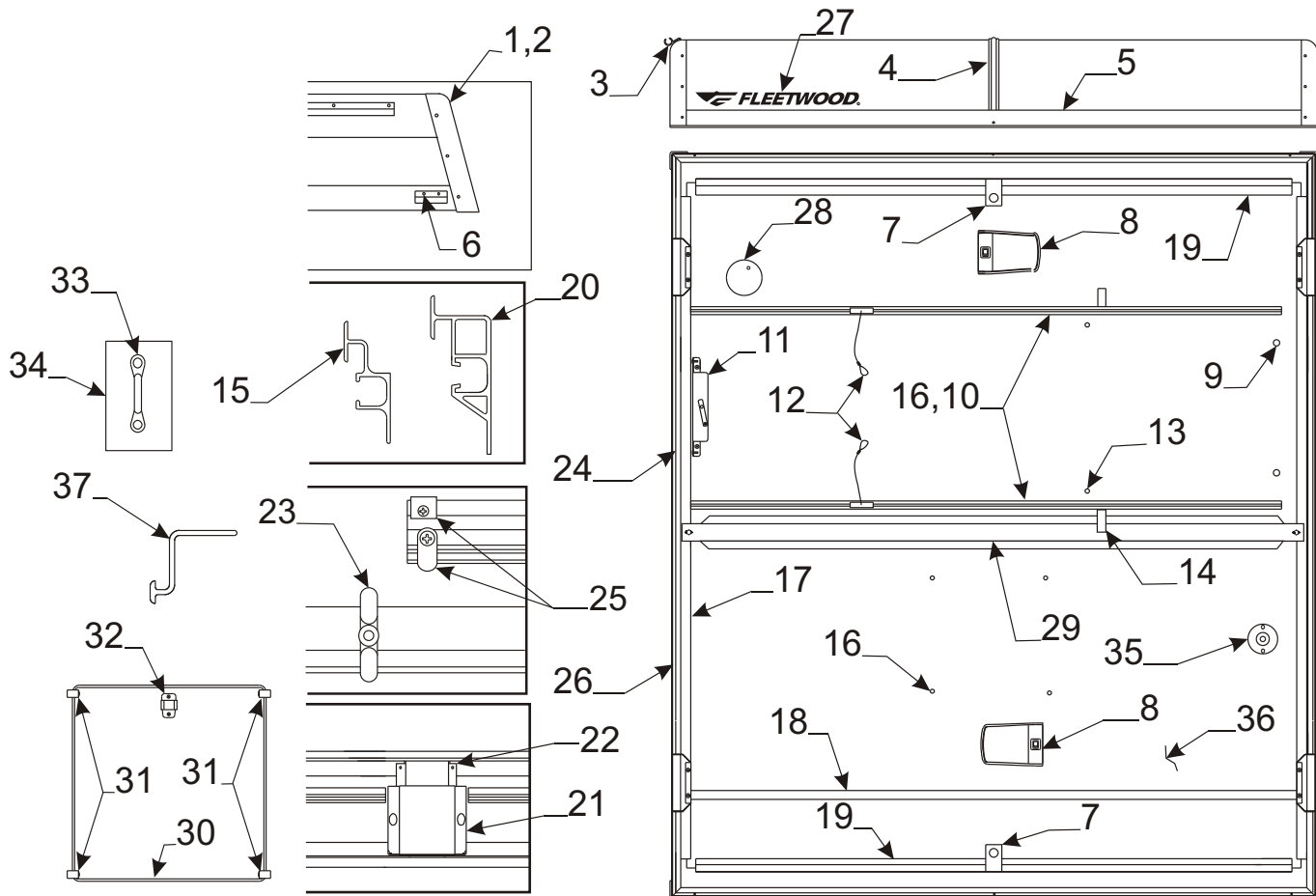
| <u>Model</u>   | <u>Frnt. Matt. assy.</u> | <u>Frnt. Matt. Cover</u> | <u>Model</u>   | <u>Rear Matt. assy.</u> | <u>Rear Matt. Cover</u> |
|----------------|--------------------------|--------------------------|----------------|-------------------------|-------------------------|
| Yuma, Sea Pine | 4769F8681                | 4714D8681                | Yuma, Sea Pine | 4769F8691               | 4714F8691               |
| 4227 Westlake  | 4767B9881                | 4714A9881                | 4227 Westlake  | 4767B9881               | 4714B9881               |
| 4276 Sedona    | 4754G7491                | 4714G7491                | 4276 Sedona    | 4754G7481               | 4714G7481               |
| 4275 Taos      | 4701H9431                | 4714H9431                | 4275 Taos      | 4701H9421               | 4714H9421               |

**Mattress Assembly Dimensions**

| <u>Model</u>   | <u>Frnt. Matt. Assy.</u> | <u>Rear Matt. Assy.</u> |
|----------------|--------------------------|-------------------------|
| Yuma, Sea Pine | 77" x 66" x 3 1/2"       | 77" x 48" x 3 1/2"      |
| 4227 Westlake  | 77" x 70" x 3 1/2"       | 77" x 70" x 3 1/2"      |
| 4276 Sedona    | 77" x 56" x 3 1/2"       | 77" x 40" x 3 1/2"      |
| 4275 Taos      | 72" x 56" x 3 1/2"       | 72" x 40" x 3 1/2"      |



| <b>Sunbrella Tenting &amp; Components</b> |             |               |  |
|---|-------------|---------------|--|
| <b>Flat Rate</b>                          | <b>Code</b> | <b>Part #</b> | <b>Description</b>                               |
| .50                                       | 1           | 4769D5711     | front boot 66" 4256 Yuma, 4288 Sea Pine          |
| .50                                       |             | 4767B7181     | front boot 4227 Westlake                         |
| .50                                       |             | 4754C7521     | front boot 4276 Sedona                           |
| .50                                       |             | 4701B6691     | front boot 4275 Taos                             |
| .50                                       | 2           | 4769D5701     | rear boot 48" 4256 Yuma, 4288 Sea Pine           |
| .50                                       |             | 4767B7181     | rear boot 4227 Westlake                          |
| .50                                       |             | 4754C7531     | rear boot 4276 Sedona                            |
| .50                                       |             | 4747K6531     | rear boot 4275 Taos                              |
| .20                                       | 3           | 4769D5661     | large window 4256 Yuma                           |
| .20                                       |             | 4759D8711     | large window 4288 Sea Pine                       |
| .20                                       |             | 4767B7191     | large window 4227 Westlake                       |
| .20                                       |             | 4769C6401     | large window 4276 Sedona                         |
| .20                                       |             | 4747L6501     | large window 4275 Taos                           |
| .20                                       | 4           | 4769D5681     | small window 4256 Yuma                           |
| .20                                       |             | 4759D8731     | small window 4288 Sea Pine                       |
| .20                                       |             | 4767B7201     | small window 4227 Westlake                       |
| .20                                       |             | 4769C6411     | small window 4276 Sedona                         |
| .20                                       |             | 4747M6521     | small window 4275 Taos                           |
| .15                                       | 5           | 4769D5691     | door seal 4256 Yuma                              |
| .15                                       |             | 4759D8721     | door seal 4288 Sea Pine                          |
| .15                                       |             | 4767B7211     | door seal 4227 Westlake                          |
| .15                                       |             | 4769D6421     | door seal 4276 Sedona                            |
| .15                                       |             | 4757C7351     | door seal 4275 Taos                              |
|   | 6           | 8118501430P   | top vinyl pkg. (85" x 3 yards)                   |
|   | 7           | 4716C0851     | sunbrella patch package (12" x 14")              |
|   | 8           | 6650500131F   | zipper (sold/yard) used around window            |
|   |             | 1225A4461     | zipper pull m5                                   |
|   | 9           | 8118001438P   | green bottom vinyl facing pkg. (3 yd. x 80")     |
|   | 10          | 4714E1611     | screen package (54" x 3 yards)                   |
|   |             | 4714A0361     | screen package (54" x 13 yards)                  |
|   |             | 4350000009P   | 1" velcro hook (10' pc. Pkg.)                    |
|   |             | 4716A2401     | clear window vinyl (42 1/2" x 3 yards)           |
|   | 12          | 1225G3768     | 45 1/2" side zipper pin half 4256, 88, 27, 76    |
|   |             | 1225G3758     | 45 1/2" side zipper slider half 4256, 88, 27, 76 |
|   |             | 1225-3658     | 52 1/2" side zipper pin half 4275 Taos           |
|   |             | 1225-3668     | 52 1/2" side zipper slider half 4275 Taos        |
| .50                                       | 14          | 4060000245CP  | shock cord (150' package)                        |
| .50                                       |             | 4714C6021     | shock cord & hooks m2 (two 14' lengths)          |
| .15                                       |             | 4724A2011     | shock cord termination (plastic hook) m10        |
|   | 15          | 406000024F    | arrowhead seal (sold/foot)                       |
| .30                                       | 16          | 4735D6721     | extension harness                                |
| .50                                       | 17          | 4743-1588     | k-kote seam sealer                               |
|   | 18          | 4728-5641     | tent retainer pkg.                               |
| .30                                       | 19          | 4710-1001     | vinyl daubing "white" m2                         |
| .30                                       |             | 4710-1011     | vinyl daubing "grey"                             |
| .30                                       |             | 4710-1021     | vinyl daubing "green" m2                         |



4768F5041 Top Assembly 4256 Yuma F.R. - 3.00  
 4754C7651 Top Assembly 4288 Sea Pine F.R. - 3.00  
 4767B7241 Top Assembly 4227 Westlake F.R. - 3.00

4768F5011 Top Assembly 4276 Sedona F.R. - 3.00  
 4701C6501 Top Assembly 4275 Taos F.R. - 3.00

| FR   | Code | Part #      | Description                          | FR  | Code | Part #      | Description                   |
|------|------|-------------|--------------------------------------|-----|------|-------------|-------------------------------|
| .50  | 1    | 4716U1981   | top corner pkg. (pkg. of 4)          | .20 | 16   | 1203-9258   | plastic accordion rivet m25   |
|      |      | 4356500043P | 1" x 3/16" butyl tape (20' pc. pkg.) |     | 17   | 4769-253    | side cove cs/rs               |
|      |      | 4745C3908   | caulking "white" silaprene           |     | 18   | 4350400004F | vinyl tape (sold/foot)        |
|      | 2    | 4745-3968   | screw "white"                        |     | 19   | 4756B0671   | cove (front/rear)             |
| .50  | 3    | 4757-3561   | canopy track (must cut to size)      |     |      | 4747-2558   | expansion rivet m25           |
| 1.00 | 4    | 4752-02791  | center seam (must cut to size)       | .30 | 20   | 4060000092P | tent track (must cut to size) |
|      |      | 4060400096F | vinyl screw cover (sold/foot)        |     |      | 1103E1018   | screw stainless steel         |
|      |      | 4741-3508   | hex head screw                       | .20 | 21   | 4747D5521   | lift pocket cover x4 (all)    |
|      |      | 4350000101P | 1" x 1/8" butyl tape (30' pc. pkg.)  |     |      | 4741D3558   | hole plug x2                  |
| .50  | 5    | 4756A0681   | frt./rr. seal extrusion              |     |      | 4351400005F | velcro loop (sold/yard)       |
| .15  | 6    | 4750A9581   | top strike m2                        | .25 | 22   | 4741B5431   | lift pocket x4                |
|      |      | 4744C2461   | torx head screw "painted" m2         |     |      | 1201B6378   | lock nut ( x2 per pocket)     |
|      |      | 1201B6958   | nut (x2 per strike)                  | .15 | 23   | 4743-2501   | plastic screen dr. latch pkg. |
| .15  | 7    | 4741F11381  | tent support brkt.                   | .50 | 24   | 4060100399P | rubber top seal (40' package) |
|      |      | 4741C9368   | screw "painted" x2                   | .20 | 25   | 4728A5641   | tent retaining pkg.           |
| .15  | 8    | 4737K5911   | single dome light                    | .05 |      | 4750-2891   | drape tab c-shape m60         |
| .15  |      | 4744E4741   | double dome light                    |     |      | 4738-3088   | screw                         |
|      |      | 4758-1361   | dome light lens                      | .75 | 26   | 4759B241    | side seal extrusion 4256      |
|      |      | 1103B1028   | screw x4                             | .75 |      | 4759B335    | side seal extrusion 4288      |
|      | 9    | 4737-3211   | rubber button m8                     | .75 |      | 4754E980    | side seal extrusion 4227      |
| .30  | 10   | 4733H47181  | screen door track x2                 | .75 |      | 4747E129    | side seal extrusion 4275,4276 |
|      |      | 4744B4611   | expansion rivet m25                  | .25 | 27   | 4761-1958   | fleetwood decal               |
| .20  | 11   | 4749C5571   | screen door bracket                  | .15 | 28   | 4767A4641   | carbon monoxide detector      |
|      |      | 4747-2558   | expansion rivet m25                  |     | 29   | 4716A8991   | roof brace kit                |
|      |      | 4749-2138   | snap button m2                       | .10 | 30   | 4755B5231   | shower curtain rod 4227       |
|      |      | 1203-8631   | rivet m25                            | .20 | 31   | 4755-5211   | shower rod strap x4 4227      |
| .15  | 12   | 4734D5211   | screen door cable m6 (all)           | .15 | 32   | 4767-0111   | shower head brkt. 4227        |
|      | 13   | 4730A3548   | stud w/screw x2                      |     | 33   | 4733B4511   | steel loop m2                 |
| .15  | 14   | 4723A5061   | strap x2                             |     | 34   | 4350000125P | 3" x 4" flextrud white        |
| .30  | 15   | 4060000093P | tent track (frt./rr.)                |     | 35   | 4756A8291   | aux. light jack w/rivets      |
|      |      | 1103E1018   | screw stainless steel                |     | 36   | 6009435020P | ceiling panel 4' x 8'         |
|      |      | 4747-2558   | expansion rivet m25                  |     | 37   | 4060000082  | valance pvc track 140" pc.    |