



2008

Americana Series

Repair Parts Catalog

4289 Santa Fe 10'

4296 Cheyenne 10'

4250 Williamsburg 12'

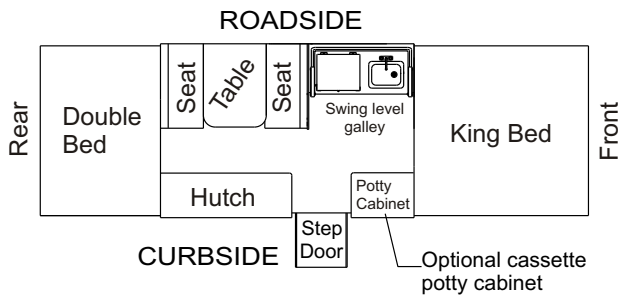
4291 Sun Valley 12'

4278 Bayside 12'

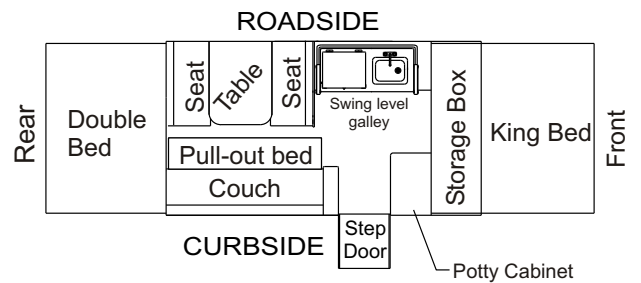
4281 Utah 12'

2008 AMERICANA SERIES

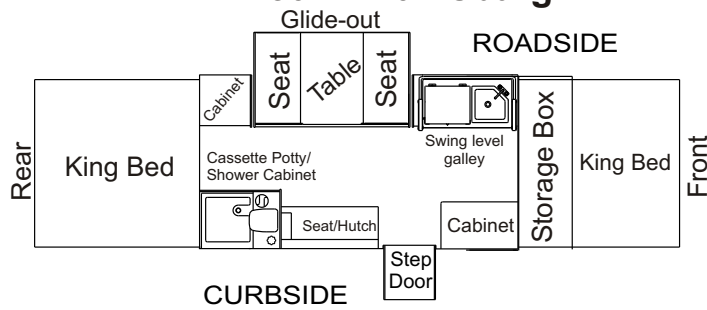
4289 Santa Fe 10'



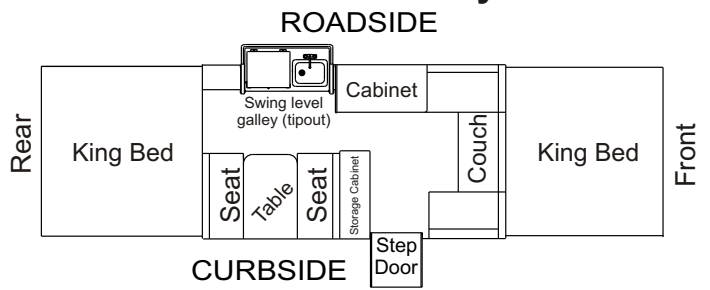
4296 Cheyenne 10'



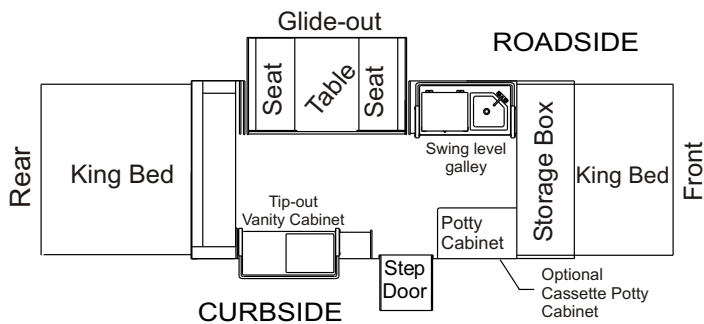
4250 Williamsburg 12'



4291 Sun Valley 12'



4278 Bayside 12'



4281 Utah 12'

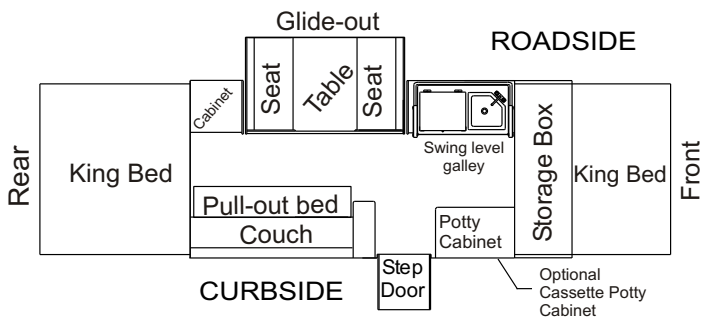
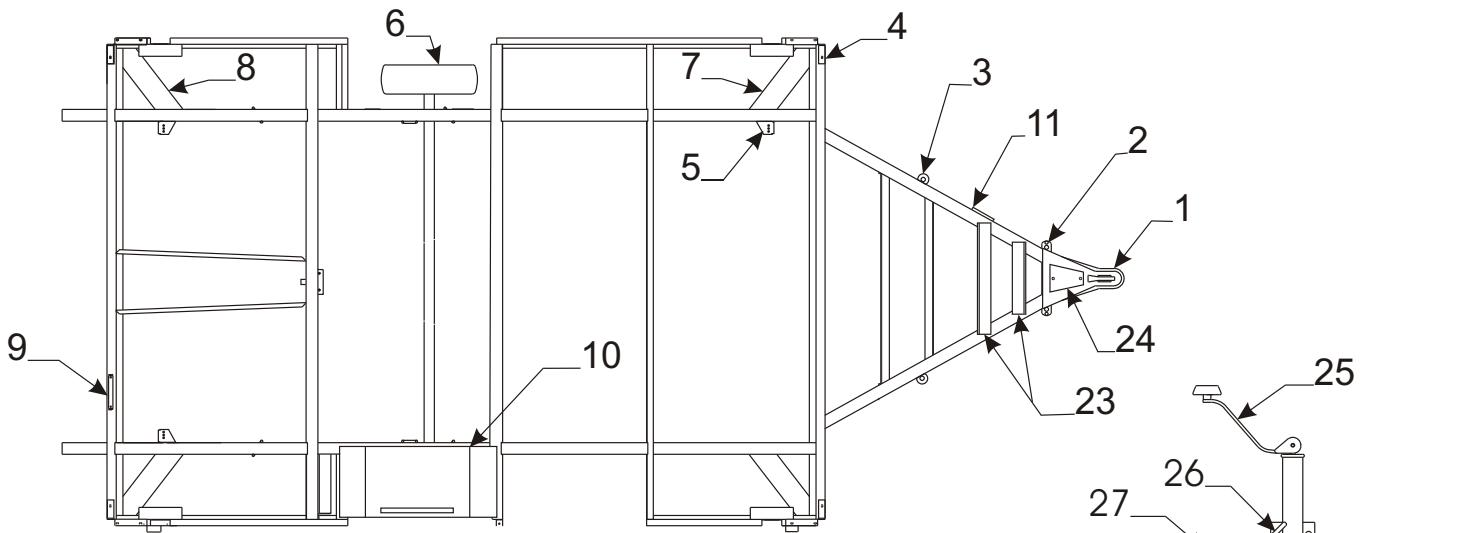
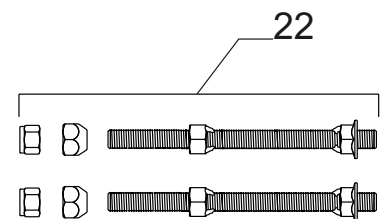
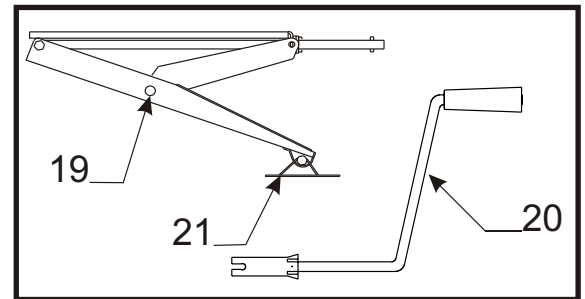
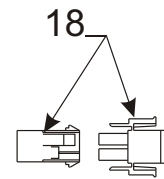
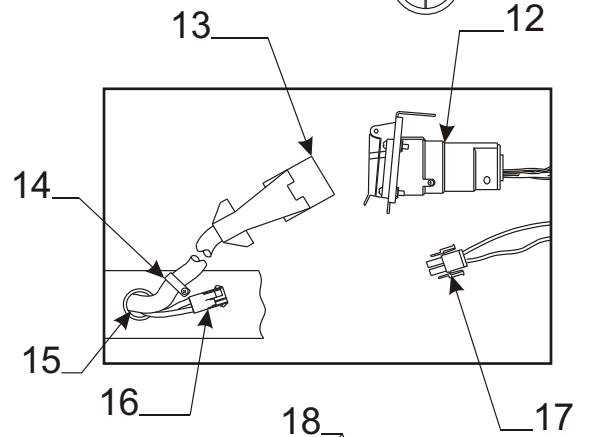


TABLE OF CONTENTS

<u>DESCRIPTION</u>	<u>PAGE</u>	<u>DESCRIPTION</u>	<u>PAGE</u>
Access door key	30	Potty curtain - 4289, 4278, 4281	33
Access door assembly & related parts	9	Potty hatch door - 4289, 4278, 4281	8
Auto extension	13	Power cord (converter)	22
Axle assemblies & related parts	3	Power lift components	5
Backrest assemblies & covers	32	Receptacle (exterior)	8
Bed assemblies.....	28	Receptacle (interior)	22
Bed extensions & related parts	28	Refrigerator vents	10
Body panel right rear (curbside)	8	Regulator & fittings	31
Body panel left side (roadside)	10	Safety chains	30
Body panel left side glide-out (roadside)	10	Screen door & related parts	19
Body panel front & rear (plastic)	7	Seat bench component parts	26
Body panel right front (curbside)	9	Seat bench "rear center" - Bayside	25
Body panel frt. (storage box units)	7	Shower curtain - Williamsburg	33
Bumper & related parts	7	Shower curtain rod - Williamsburg	35
Cabinet assembly (csf corner cabinets)	23	Shower stall w/potty - Williamsburg	20
Cabinet assy. "rsr corner cab." - 4250, 4281	21	Shower head & hose (Inside shower)	20
Cabinet/potty assy. csf - 4289, 4278, 4281	24	Shower (Outside shower assy.)	10
Caulking	13	Sink & related parts	12
Converter & related parts	22	Spare tire cover (black vinyl)	2
Corner bulkhead assembly	2	Spare tire mount package	2
Coupler assembly	2	Stabilizer assembly	2
Crank components (upper crank)	5	Stabilizer handle/lug wrench combo	30
Crank handle	30	Storage box components	6
Cushion assemblies & covers	32	Stove components (upper galley)	12
Door bulkheads	8	Stove (high pressure outdoor stove)	14
Drain assy./drain hose (used on sinks)	12	Table assemblies & related parts	13
Drape packages & related parts	31	Taillights (rear body panel)	7
Drawer assembly components	20	Tent support assemblies & related parts	27
Electric brakes & related parts	3	Tenting & related parts (sunbrella)	33
Fire extinguisher & components	22	Thermostat (Hydro Flame)	22
Floor covering	2	Thrust bearing/nut	4
Frame assembly & related parts	2	Tie backs (curtains)	33
Gas detector	22	Tip-out/Glide-out tent bow & support	27
Gas hose (gas bottle hook-up)	31	Tire & rim	2
Gas bottle mounting brackets	30	Tire cover "black vinyl"	2
Gas quick disconnect (outside h.p. stove)	31	Tongue jack & related parts	2
Gas bottle cover (black vinyl)	31	Top assemblies & related parts	34, 35
Gas bottle & related parts	31	Trim tape kits	7,8,9,10
Glide-out components	11	Upper crank assy. & components	5
Glide-out tent bow & support	27	Upper galley compts - 4289, 96, 50, 78, 81	16
Grease cap (EZ lube cap)	3	Upper galley components - Sun Valley	17
Hub assembly & related parts	3	Upper cs vanity cab. components - Bayside	18
Hutch assembly roadside - Sun Valley	21	Valance package	33
Hutch assembly csr - Santa Fe	24	Water heater	29
Hutch/Seat assy. csr - Cheyenne, Utah	23	Water faucet	16, 17
Hutch assy. doorway lt. - Sun Valley	23	Water system & related parts	29
Lift assemblies & related parts	4	Wheel well	2
Lift trim & miter covers	8, 9	Whiffletree & related parts	4
Lower galley assy. - 4289, 96, 50, 78, 81	16	Zippers (tenting assemblies)	33
Lower galley components - Sun Valley	17		
Lower cs vanity cabinet components - Bayside	18	Axle/Brakes - Dexter	574/295-7888
Lug wrench	30	Cassette Potty - Thetford	800/354-4135
Mattress assemblies & covers	28	Converter - World Friendship Co.	800/900-2468
Outside shower assy.	10	Furnace - Hydro Flame #7916-11	800/546-8759
Paint (spray & quart can)	13	Hand pump - Leisure Components.....	562/865-0401
Paneling & trim	13	Power Lift - Barker	888/367-6978
Parts package & components	30	Refrigerator - Dometic	800/216-5115
Pigtail (car end)	2	Oven/Range - Atwood Greenbrier	800/646-8557
Potty cabinet curbside frt. - 4289, 4278, 4281	24	Stove (high pressure) - Atwood	574/264-2131
Potty "cassette"	20, 24	Stove (low pressure) - Suburban	423/775-2131
		Tires - Kenda	800/225-4714
		Water heater - Suburban #5031E	423/775-2131
		Yakima bike rack - to obtain repair parts .	800/925-4621



Flat Rate	Code	Part #	Description
1.50	1	4772-4231	coupler assembly
.75	2	4748-6611	chain bar w/pins
.75		4720A3561	chain bar w/o pins
.50	3	4758-0381	bed leg pin & washer
.10		4747-8941	pin cover m2 (plastic)
2.00	4	4758D6731	corner bulkhead csf/rsr
2.00		4758C6691	corner bulkhead rsf/csr
		1203C8751	rivet m25 (rivet bulkhead to frame)
.75	5	4732E3671	adjustable pulley brkt. x4
.50		4715A5371	pulley & bearing m10
		4720C1578	short pin m4
		1204B1081	cotter pin m10
.25	6	4772-3598	mag tire & rim 13" Id "D"
.25		4753E8168	spare tire & rim 13" Id "D"
.25		4716E8168	13" LR "D" tire only Kenda
.05		4723G3161	13" tire cover "black vinyl"
.05		4772A3601	lug nuts "stainless steel" m5
.25		4772-4141	star mag center cover
1.00	7	4755B6641	stabilizer plate csf/rsr
1.00	8	4755B6651	stabilizer plate rsf/csr
1.00	9	4754F5101	spare tire support "rear"
2.00	10	4759-0931	wheel well Assy. 4289
2.00		4759-0791	wheel well Assy. (all except 4289)
.75	11	4720B3331	jack bracket (welded to tongue)
	12	4746A5591	pigtail - "car end"
	13	4716-5871	wire harness repair kit (8' section)
	14	1201-8738	3/8" clamp
		1203C8721	steel rivet m25
	15	4742-8108	1 1/4" snap bushing
	16	4716A5001	12 volt power harness
.15	17	4749B5531	12v harness w/15 amp breaker m2
.15		4768-6291	12v harness w/40 amp breaker
	18	4716A4701	12 volt cap & plug m2
.25	19	4751B3351	stabilizer Assy. (screw down)
		4751-8208	tapping screw (3 per stab.)
	20	4747G4141	crank handle
.10	21	4755A6841	sand shoe (pkg. of 4)
.25	22	4741B5791	spare tire mount kit (all)
*	23	4716A1751	battery angle pkg. (non box models)
		4716A7151	battery angle pkg. (box models)
.10	24	4767A873	coupler hole cover plate
.15	25	4720C6661	tongue jack Assy
.15		4716-1951	jack handle kit
.15	26	4716-1981	locking plunger kit
.10	27	4720A3341	snap ring m2
.25	28	4716-1971	jack wheel nut & bolt

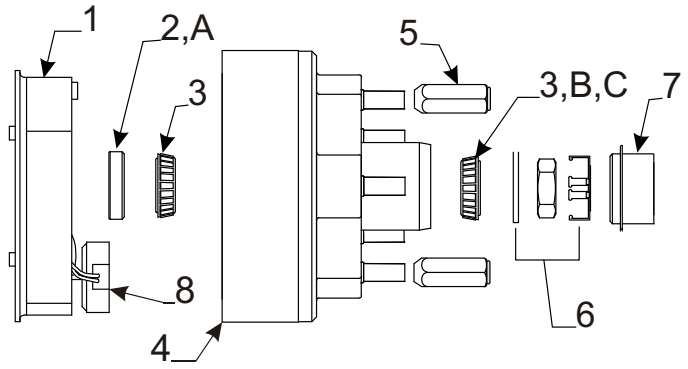


* 6610007211P floor covering pkg. (7 1/2' x 14')
 * Prior Authorization Needed From Factory

Flat Rate .50 Per Side

Electric Brake Pkg. 10" x 2 1/4" (4714J2011)

Flat Rate	Code	Part #	Description
.50	1	4716-6251	10" brake assembly (right hand)
.50		4716-6261	10" brake assembly (left hand)
.50	2	4716A1441	10" grease seal (2 per pack)
.50	3	4716A1451	10" bearing, race & seal pkg.
.30	4	4716-1431	10" hub & drum x2
.05	5	4772A3601	lug nuts "stainless steel" m5
.10	6	4714A3061	retainer package
.05	7	4714C0621	EZ lube grease cap m4
.40	8	4716-2881	10" magnet, spring & clip pkg.



Crossover Numbers To Purchase Locally

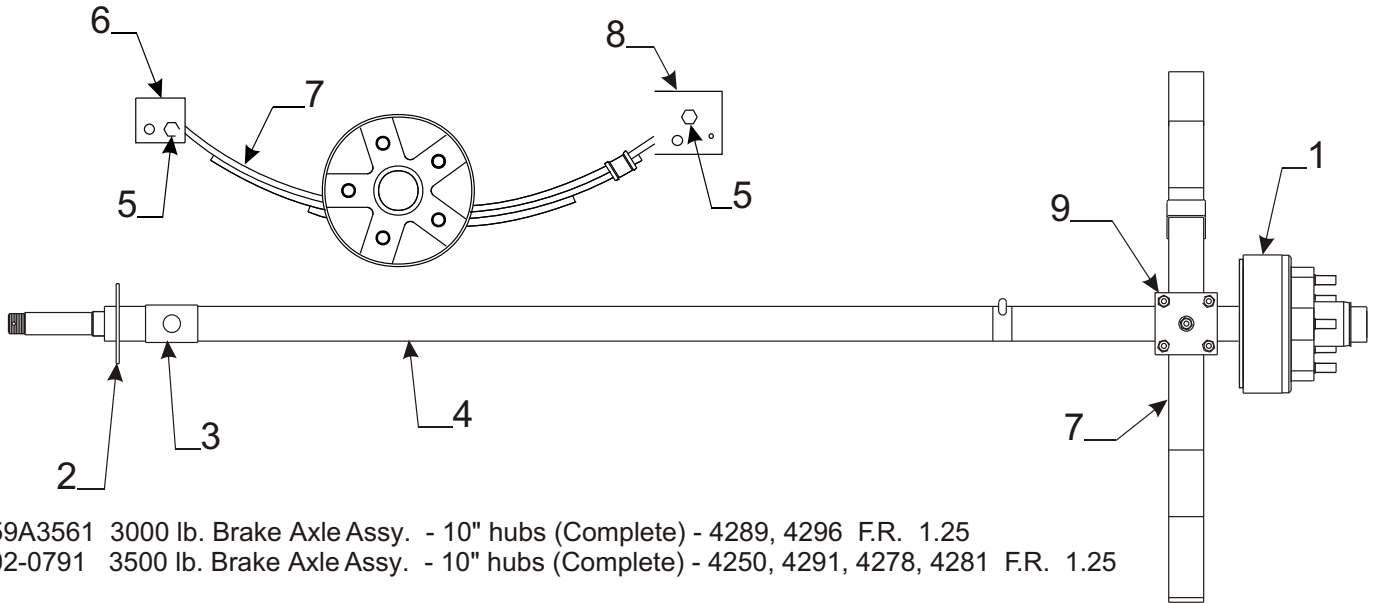
A K71-303-00 Grease Seal

B L44649 Bearing "outer"

L68149 Bearing "inner"

C L44610 Race "outer"

L68111 Race "inner"



4759A3561 3000 lb. Brake Axle Assy. - 10" hubs (Complete) - 4289, 4296 F.R. 1.25

4702-0791 3500 lb. Brake Axle Assy. - 10" hubs (Complete) - 4250, 4291, 4278, 4281 F.R. 1.25

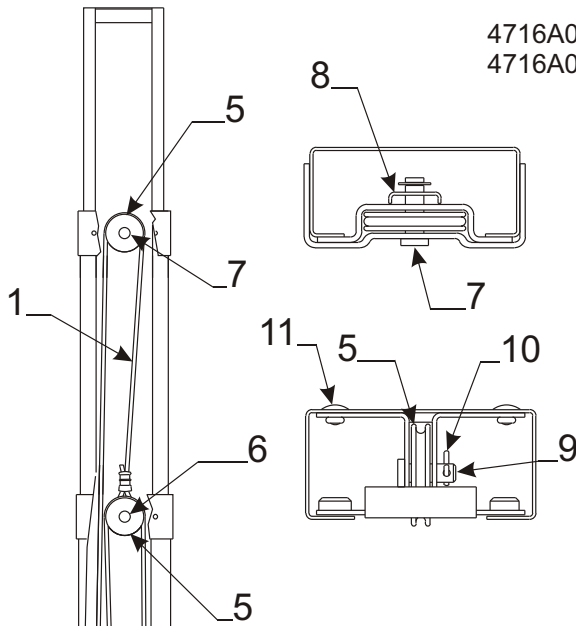
NOTE: limited parts stocked for Dexter Axles, for required part (s) phone - 219/295-1900

Flat Rate	Code	Part #	Description
	1	Note: refer above for hub & components	
*	2	4741A8471	brake plate 3000 lb. axle
*	3	4741-8461	spring pad channel m2
1.00	4	4716F6251	axle beam 3000 lb. axle
.25	5	4737A1318	shackle bolt
		4741-9498	shackle bolt nut
2.00	6	4741A3398	spring shackle (rear)
.75	7	4735G22081	leaf spring (3 ply) 3000 lb. axle
.75		4735H22081	leaf spring (4 ply) 3500 lb. axle
2.00	8	4741C3398	spring shackle (front)
.50	9	4741-8458	u-bolt plate 3000 lb. Axle

* **PRIOR AUTHORIZATION NEEDED FROM FACTORY**

Flat Rate 1.25 Per Lift Assembly

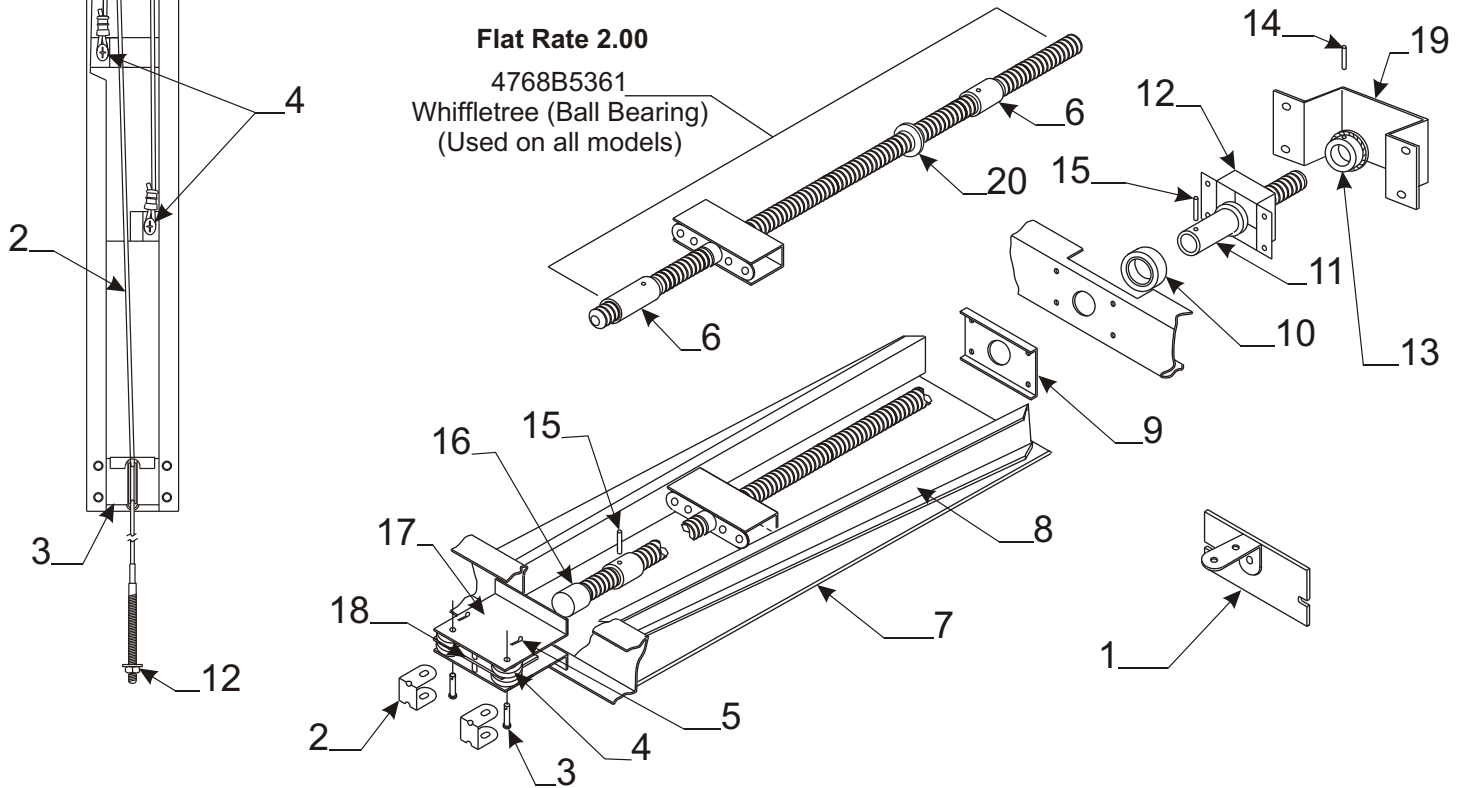
4716A0031 lift assembly roadside rear/curbside front (all)
 4716A0041 lift assembly roadside front/curbside rear (all)



Flat Rate	Lift Assembly Code	Component Part #	Description
.75	1	4720D5271	cable assembly x1 m2
		4720C1691	cable crimp m20
1.25	2	4773A2291	225 3/4" long cable & crimp
		4744-1318	copper cable crimp m10
1.25	3	4731C5801	butterfly bracket assy.
.05	4	4749-2081	screw m6
.50	5	4715A5371	steel pulley & bearing m10
.25	6	4747-8931	long pin x2
		4730B0981	retaining ring m12
.25	7	4749-4061	short pin m4
		4730B0981	retaining ring m12
.25	8	4749A2028	retaining clip
.45	9	4720C1578	lift pin m4
	10	1204B1081	cotter pin m10
	11	1203-8641	rivet m25
	12	1201B6378	1/4" lock nut

Flat Rate 2.00

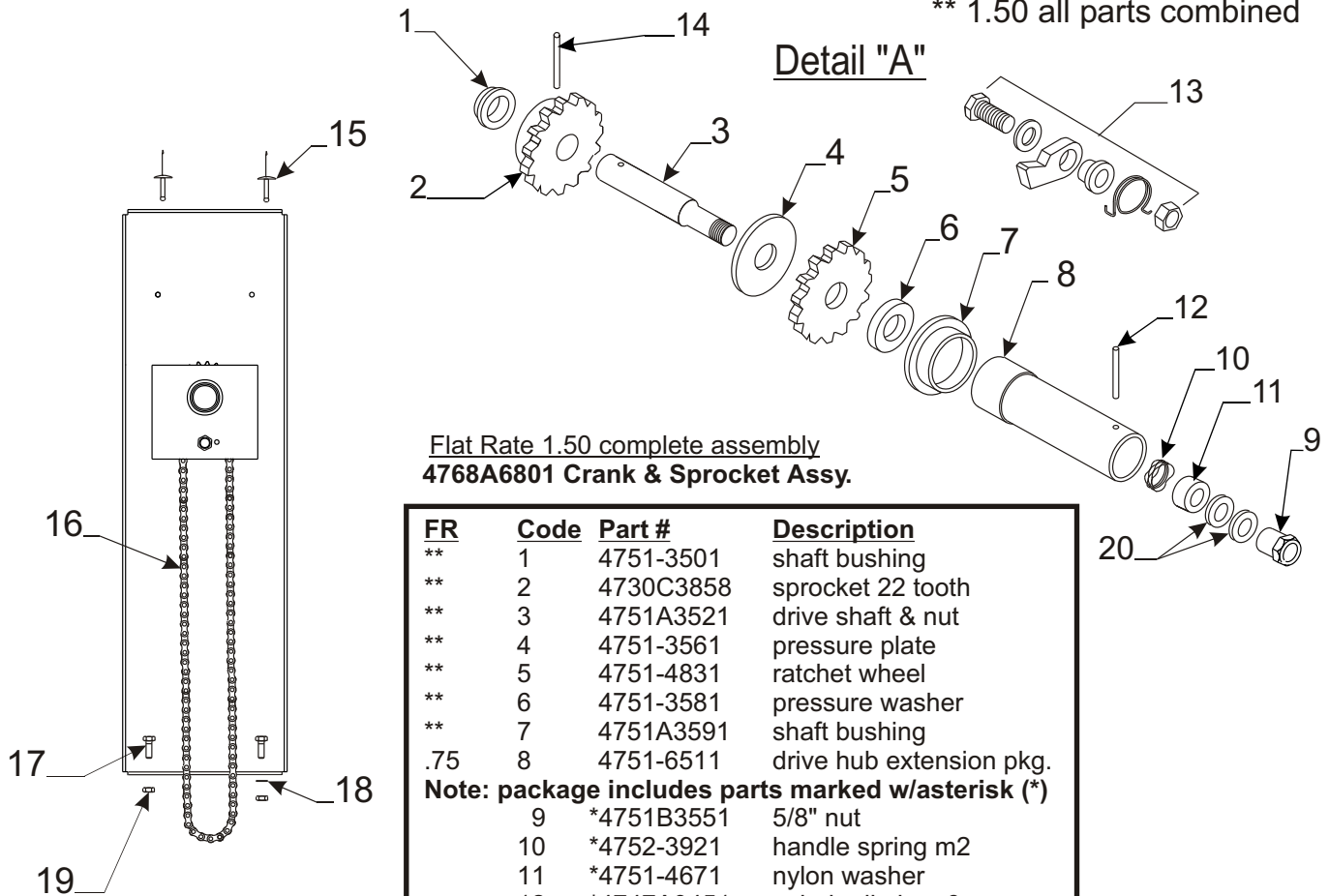
4768B5361
 Whiffletree (Ball Bearing)
 (Used on all models)



Flat Rate	Whiffletree & Related Parts Code	Part #	Description	Flat Rate	Code	Part #	Description
.15	1	4749A821	mud flap & brkt.	1.50	10	4720B2421	thrust nut bearing
.50	2	4744B1741	cable retainer x2	1.50	11	4720B2388	thrust nut
.20	3	4720J1561	long pin m4	1.50	12	4720B2408	bearing housing
.50	4	4715A5371	pulley & bearing m10	1.00	13	4730C3848	sprocket 12 tooth
.10	5	1204B1081	cotter pin m10	.10	14	4720D1481	roll pin m10
1.60	6	4710C4248	bushing 3/4"	1.00	15	4744B1301	shear pin m10
1.60		4773-8808	bushing 2 1/4"	2.00	16	4730D1291	screw socket (welded)
.25	7	4752B4921	whiffletree pan cover	2.00	17	4720-1551	pulley plate
.25	8	4720F237	pan cover side (welded)	.50	18	4715D5661	pulley spacer
.15	9	4720C2418	plate	.15	19	4758A0481	chain cover
					20	4755A401	washer

** 1.50 all parts combined

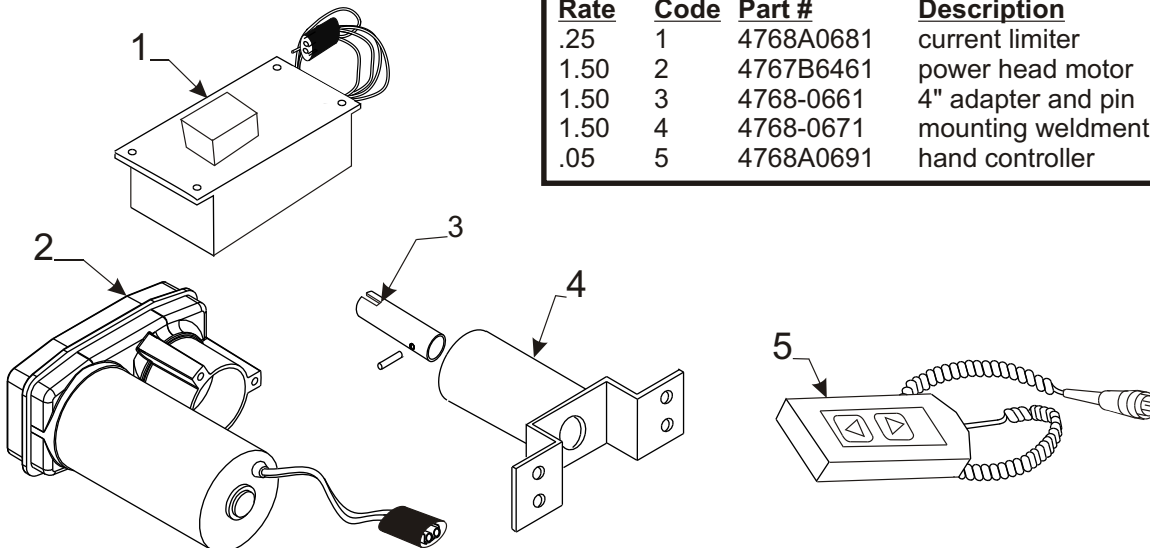
Detail "A"

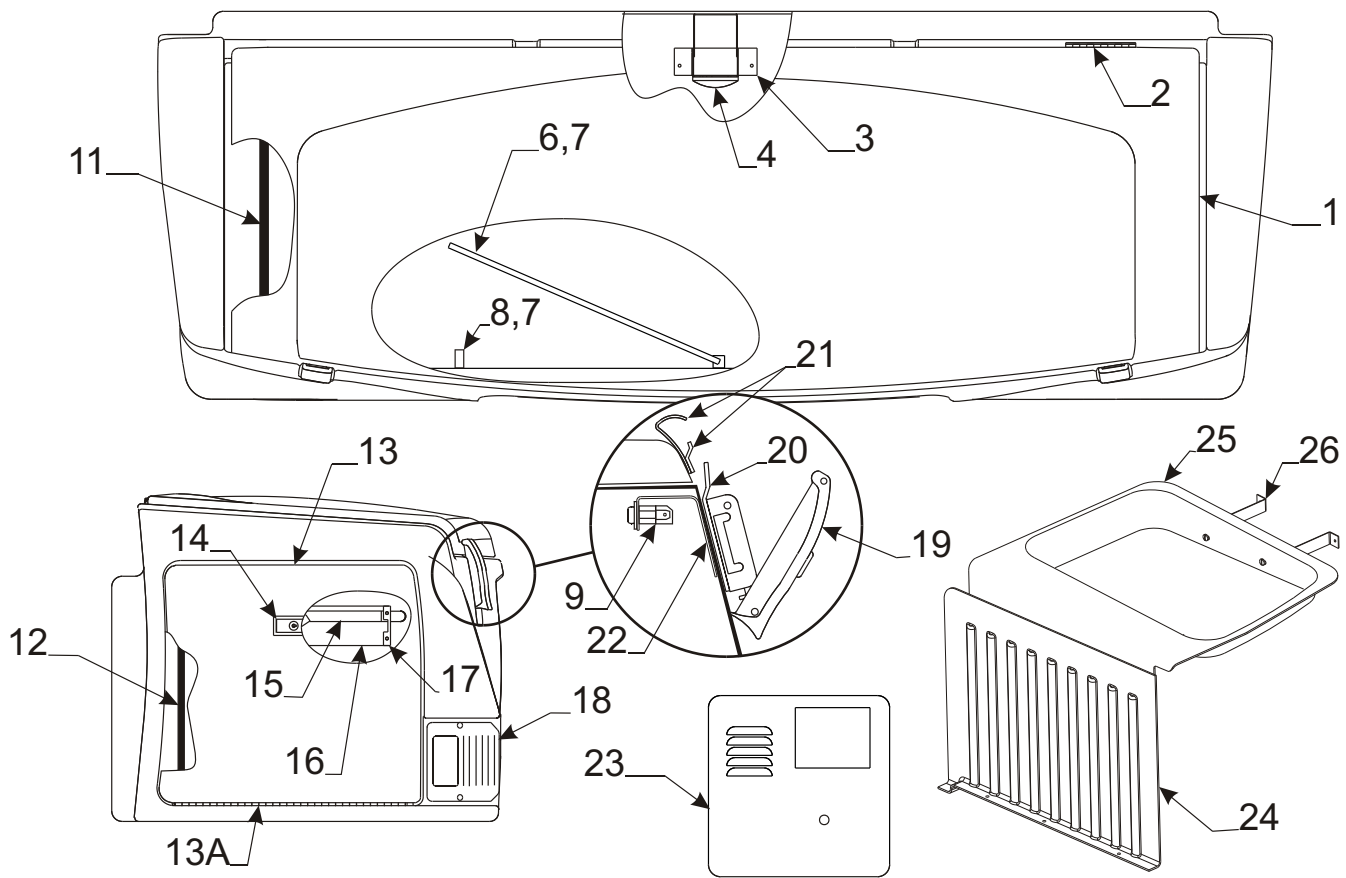


**Flat Rate 1.50 complete assembly
4768A6801 Crank & Sprocket Assy.**

FR	Code	Part #	Description
**	1	4751-3501	shaft bushing
**	2	4730C3858	sprocket 22 tooth
**	3	4751A3521	drive shaft & nut
**	4	4751-3561	pressure plate
**	5	4751-4831	ratchet wheel
**	6	4751-3581	pressure washer
**	7	4751A3591	shaft bushing
.75	8	4751-6511	drive hub extension pkg.
Note: package includes parts marked w/asterisk (*)			
	9	*4751B3551	5/8" nut
	10	*4752-3921	handle spring m2
	11	*4751-4671	nylon washer
	12	*4747A9451	spiral roll pin m6
.60	13	4716-1221	ratchet pawl package
	14	4759-0621	1 1/2" shear pin m10
	15	1203C8721	rivet m25
1.50	16	4759-8031	chain (w/connecting link)
		4730A3811	connecting link
	17	4731-3878	hex head bolt x2
	18	1202B0438	washer
	19	1201B6038	hex head nut
**	20	* 4757-3938	washer

Flat Rate	Power Lift Components Code	Part #	Description
.25	1	4768A0681	current limiter
1.50	2	4767B6461	power head motor
1.50	3	4768-0661	4" adapter and pin
1.50	4	4768-0671	mounting weldment
.05	5	4768A0691	hand controller



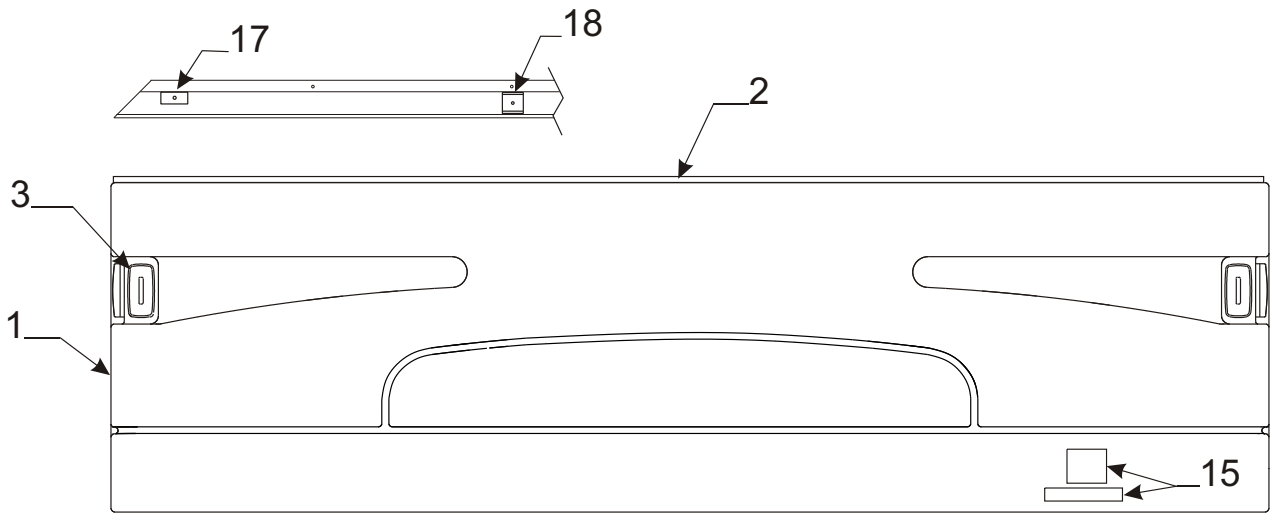


Front Storage Box Assy. - 4296, 4250, 4278, 4281

1.25 box replacement, add .75 for water heater

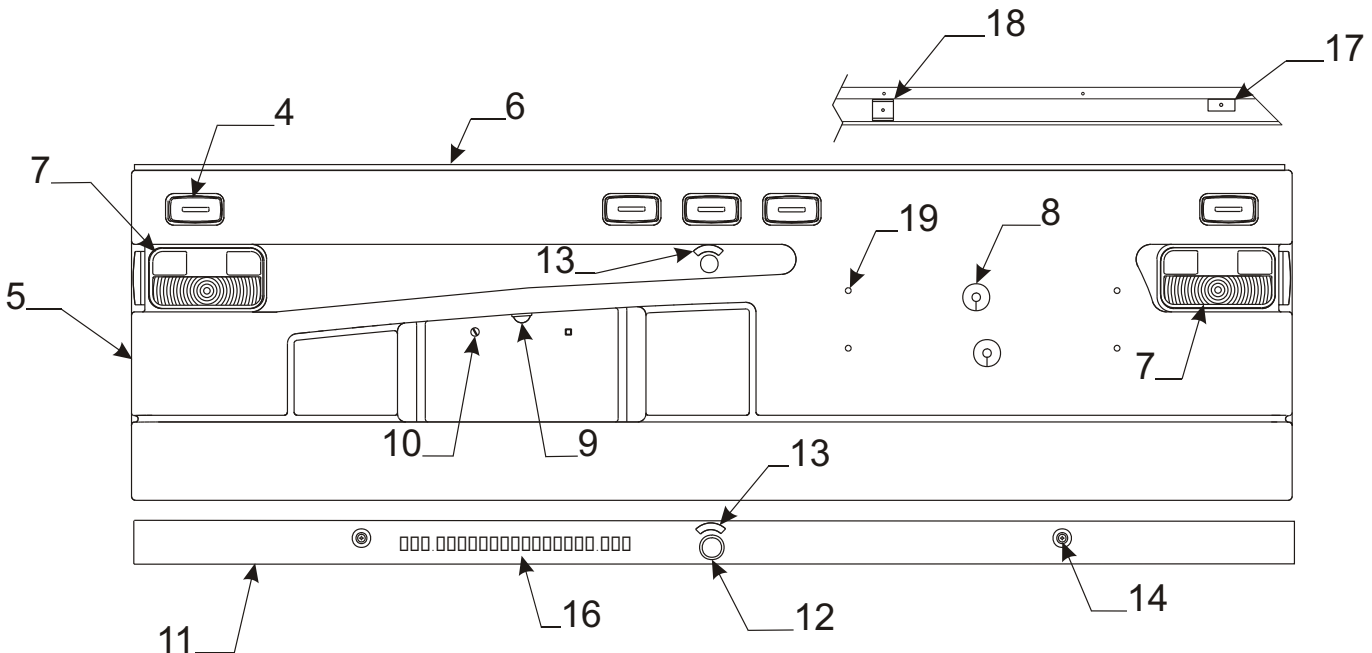
Flat Rate	Storage Box Component Parts	Flat Rate	Code	Part #	Description		
.50	1	4758-9861	storage box lid	15	4768-6631	cargo door lock bar assy.	
.20	2	4759B0041	lid hinge x3		1202B1068	fender washer m12	
		4759-1711	3/8" ss screw m12	16	4759-0031	cargo door lock pan "black"	
		1202E1111	ss washer m12		4747-2558	expansion rivet m25	
.50	3	4769-5001	support post assy.	17	4759-0371	lock pan angles x2 "black"	
		1203-8831	rivets m25		1203-8651	rivet m25	
.25	4	4759-1721	cargo light	.15	18	4759-0261	wraparound marker light amber
	5	4744C4611	expansion rivet m25		4716-1001	amber lens	
	6	4759-0911	drain plug (not shown)		4758-1201	expansion rivet m25	
		4751B1181	prop rod		4759-1871	1/2" black vinyl seal washer m12	
		4751-1208	push nut		4350000028P	butyl tape 6' pc. pkg.	
		4751C1191	prop rod bracket	.15	19	4759-0191	lid latch "locking"
.10	7	4734-2431	gripper clip m4				
*	8	4739B2901	snap cap & washer m12		20	4759A0521	lid stop bkr. "black"
	9	4759-0381	cargo light on/off switch			4759-0551	flat head tek screw m12
	10	4060037501P	3/8" convoluted tubing 10' pkg. 15	21	4759-0201	lid latch strike	
			Note: Tubing covers interior box wire harness		4767-0891	finger pull tab	
.75	11	4060000601P	lid seal pkg. (15' pc.)		4759-0218	strike screw x2	
.20	12	4060000689P	cargo door seal (6' pc. pkg.)		1201B6958	keps nut x2	
.50	13	4758-9851	cargo door (less hardware)		22	4759-0361	switch bracket
.50	13A	4759A0071	cargo door hinge	.25	23	4716A1331	water heater door "gray"
		4747-2558	expansion rivet m25	.30	24	4759A2681	water heater cover side
		4759-1711	3/8" ss screw m12	.30	25	4759A2671	water heater cover top
.15	14	4730C3111	cargo door lock w/key		26	4759-2661	water heater cover brkt.
		4759-0531	lock seal			4732-1181	plastic grommet m4
		1032E10168	10-24 x1 ss screw x2			1121C1618	screw x2
		4759-0548	female threaded screw x2				

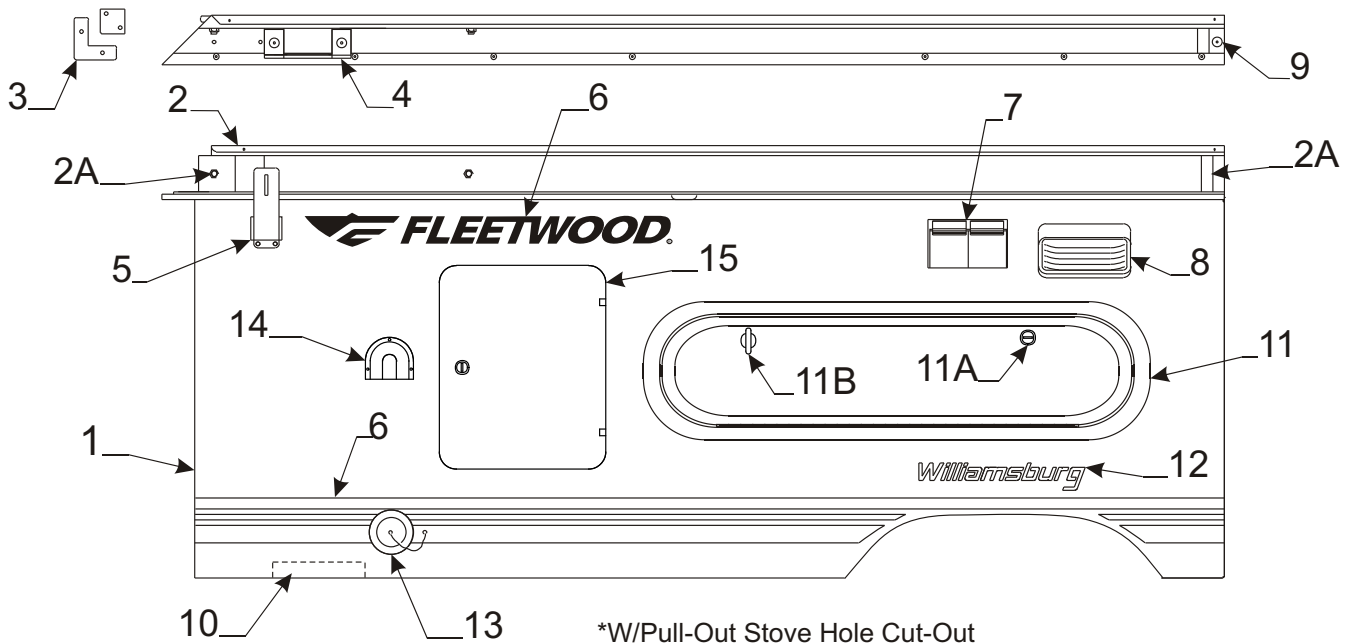
Note: lockable latch used in place nonlocking latch



4716A3931 Frt./Rear Hardware & Decal Kit (F.R. .15)

Flat Rate	Code	Part #	Description	Flat Rate	Code	Part #	Description
1.50	1	4767A2391	front body pnl. 4289, 4291	.20	7	4749B4321	taillight x2
2.50		4759C0881	frt. body pnl. 4296, 50, 78, 81	.10		4716A1061	taillight lens
.75	2	4754B8681	front end rail			4747-2558	expansion rivet m25
		1203-8651	rivet x5 m25	.10	8	4754-3871	foam gasket m2
Note: refer to opposite page for storage box body rail				.15	9	4739B4311	tag light
.15	3	4714J08481	amber marker light x4	.05	10	4732-1181	plastic grommet m4
.10		4716A4571	amber lens (lens only)	.05		1121C1618	license plate screw x2
.25		4733H1311	socket & harness	.30	11	4756F2371	bumper (all except 4289)
		4747-2558	expansion rivet m25	.30		4759-2261	bumper 4289 only
.15	4	4714J08581	red marker light x7	.10	12	4756-9761	2" hole plug
.10		4716A4561	red lens (lens only)	.10	13	4730H3188	"open" decal
Note: refer to code # 3 for hardware				.10	14	4714-0391	rear bed leg pin pkg.
2.50	5	4757B1961	rear body pnl. (all)	.05	15	4759-8488	warning/caution decal
		4741D96568	expansion rivet m25 "white"	.05		4739D1168	patent decal
.75	6	4754F8691	rear end rail	.10	16	4767-0888	www.com decal
		4758-1141	rivet w/rubber washer m25	.15	17	4754A8491	nylon bed rest & screw
				.15	18	4754B8921	nylon bed ramp & screw
					19	4767-0171	plastic hole plug m4

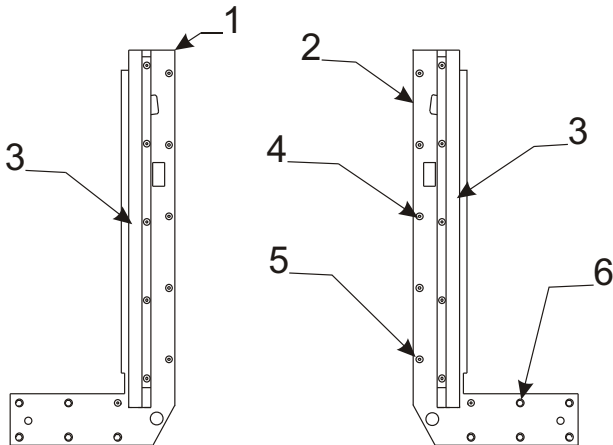




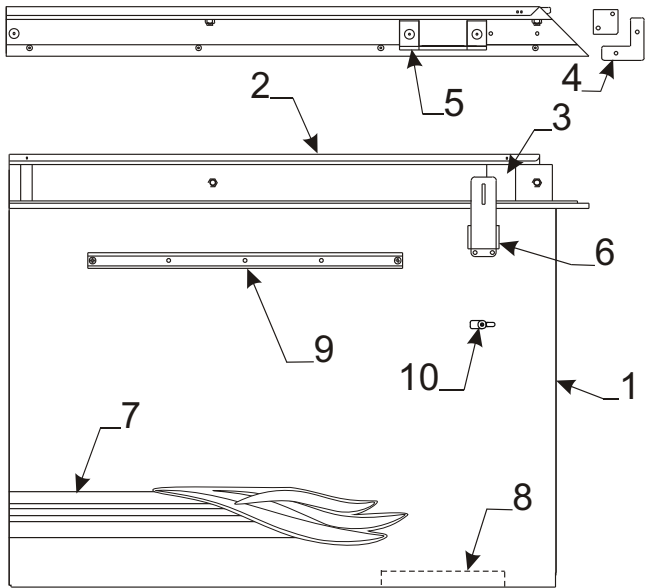
4716C3941 Curbside Trim Tape/Hardware Kit

*W/Pull-Out Stove Hole Cut-Out
 **W/O Pull-Out Stove Hole Cut-Out

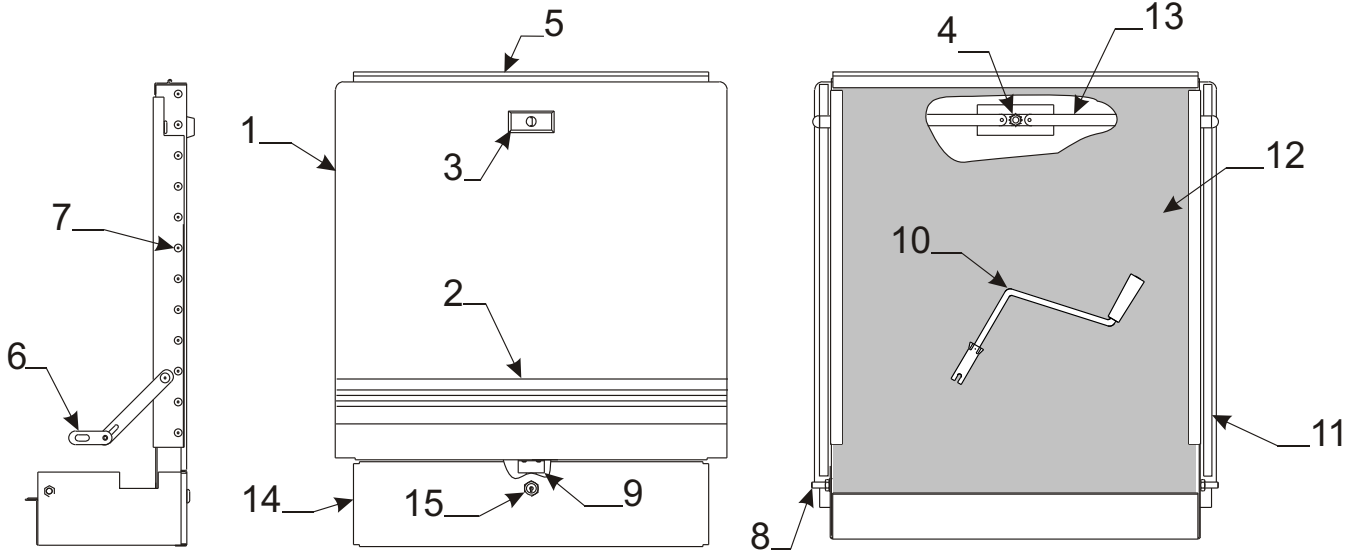
Flat Rate	Code	Part #	Description	Flat Rate	Code	Part #	Description
1.00	1	4757G3071	*csr body panel 4289 Santa Fe	.25	8	4752-9921	porch light
1.00		4757H3071	**csr body panel 4289 Santa Fe	.10		4716-5511	porch light lens "amber"
1.00		4757G9631	csr body panel 4296 Cheyenne	.15	9	4738-3941	turn button & rivet
1.00		4754L9701	csr body panel 4291 Sun Valley		10	4060050008P	foam tape(12' pkg.)
1.00		4759F1371	csr body panel 4281 Utah	.25	11	4702-4171	stove hatch door
1.00		4702-4381	csr body panel 4278 Bayside			4060000023P	D-seal "white" (6'pkg.)
1.00		4755W0431	csr body pnl 4250 Williamsburg	.15	11A	4772-9201	hatch door cam lock
1.00	2	4757C3081	csr body rail 4289 Santa Fe			4730B3211	key m10 (#8025)
1.00		4757B9661	csr body rail 4296 Cheyenne	.15	11B	4765-9981	chrome thumb turn
1.00		4754F9511	csr body rail 4291 Sun Valley	.25	12	4749T4438	Santa Fe name decal
1.00		4767B3151	csr body rail 4250, 4281, 4278	.25		4751P0658	Cheyenne name decal
.10	2A	4716-2771	vel-stick body rail pkg.	.25		4756H3498	Bayside name decal
.15	3	4716-7061	inner/outer miter cover pkg.m4	.25		4757F8148	Sun Valley name decal
			Note: pkg. Includes rivets	.25		4767B3188	Williamsburg name decal
.25	4	4734F4121	lift trim, rivets & gasket pkg. m4	.25		4755H4738	Utah name decal
		4733-3398	nylon flange bushing x2 per trim	.25		4755H4818	CP decal
.15	5	4741C6041	top latch w/out lock tab	.10	13	4714A2861	shower drain cap & strap
		4749-4848	foam pad	.15	14	4757-9261	vent cover "plastic"
.50	6	4716C3941	trim tape & hardware kit	.50	15	4759-6341	potty hatch dr. 4250
.25	7	4746A3861	duplex cover & outlet	.15		4751D8301	lock & o-ring
.35		4746-3871	duplex box			4060000023P	D-seal "white" (6'pkg.)
		1203-8678	rivet m25 (rivet box to pnl.)			4060000402P	black d-seal pkg. (6' pc.)



Flat Rate	Code	Part #	Description
1.25	1	4768B6821	csf bulkhead (all)
1.25	2	4768B6831	csr bulkhead (all)
.35	3	4745D0811	rubber door seal
	4	1203-8641	rivet m25
	5	1203-8978	countersunk rivet m25
	6	4744A0501	hex head tek screw m25



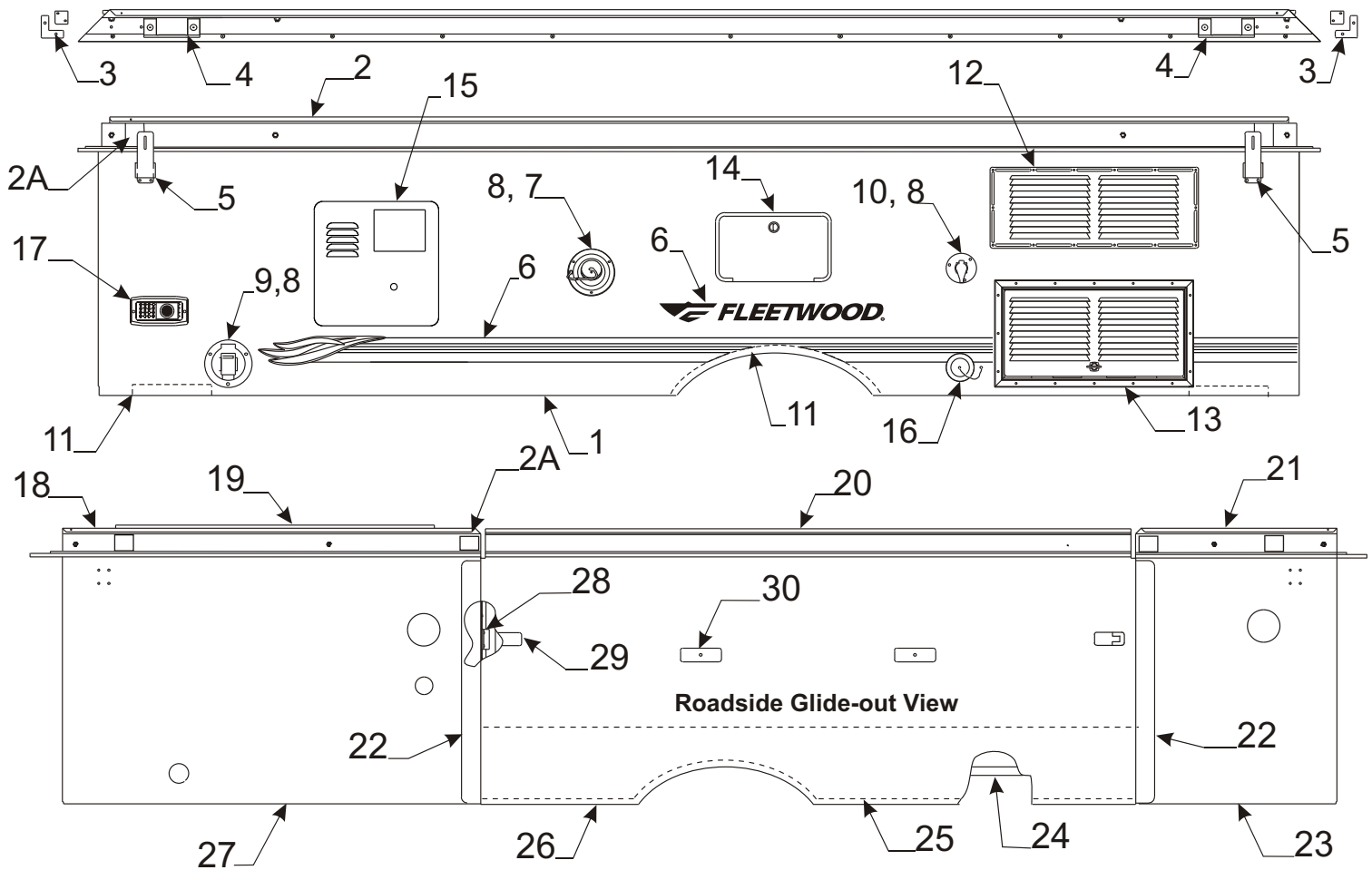
4716C3941 Curbside Trim Tape/Hardware Kit			
Curbside Right Front Body Pnl. & Components			
Flat Rate	Code	Part #	Description
.85	1	4757G3111	csf body panel 4289 Santa Fe
.85		4759C0731	csf body panel 4296 Cheyenne
.85		4756G9281	csf body panel 4291 Sun Valley
.85		4756G4361	csf body panel 4250, 4278, 4281
1.00	2	4757F3121	csf body rail 4289 Santa Fe
1.00		4757B9651	csf body rail 4296 Cheyenne
1.00		4767B3141	csf body rail 4250, 4278, 4281
1.00		4754F9501	csf body rail 4291 Sun Valley
.10	3	4716-2771	vel-stick body rail pkg.
.15	4	4716-7061	inner/outer miter cover pkg. m4
.25	5	4734F4121	lift trim, rivets & gasket pkg. m4
		4733-3398	nylon flange bushing x2 per trim
.15	6	4741C6041	top latch w/out lock tab
		4749-4848	foam pad
		4350000022F	foam tape (sold/foot)
.50	7	4716C3941	trim tape & hardware kit
	8	4060050008P	1/2" x 1" foam tape pkg.(12' pc.)
.25	9	4767-3921	stove hanger bracket
		4745-3968	screw
		4744C2461	torx screw m2
		1201B6958	nut x2
.15	10	4738-3941	turn button & rivet
		1203-8831	rivet m25



4757A7131 Access Door Assembly "complete" less trim tape

FLAT RATE 1.25 complete door assembly

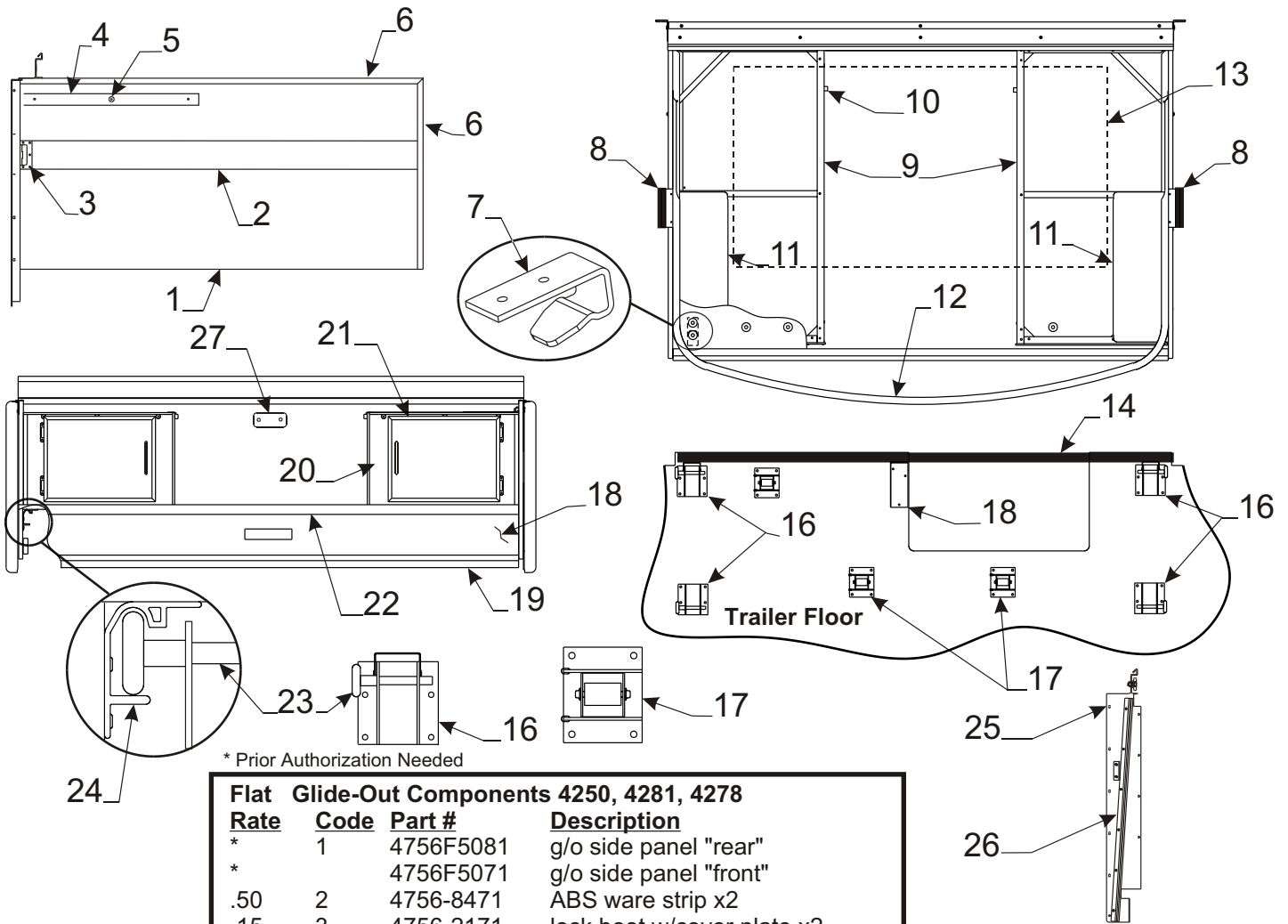
Access Door Component Parts							
Flat Rate	Code	Part #	Description	Flat Rate	Code	Part #	Description
1.00	1	4759B0661	door skin		8	1006B2428	bolt x2
.25	2	4350002060P	trim tape (12' pc. pkg.)			1201B5188	nut (to affix bolt to door)
1.00	3	4730C3111	lock handle (with key)			1201B6448	nut (affix door to trailer)
		4716-081	screw x2			1202B0468	washer m10
		1201B6958	keps nut x2	.10	9	4747A2521	latch angle w/rivets
1.00	4	4741-1438	reinforcement plate		10	4747G4141	crank handle
.25	5	4731E2331	access door cap	.20	11	4060025006P	foam tape pkg. (4' pc.)
		1203-8651	rivet m25	1.00	12	4758B4711	step covering "black flextrud"
.15	6	4744-6981	swing arm pkg. (w/rivet & washer)	.25	13	4741A6551	lock bar assembly
		1203C8721	rivet m25		14	4754-6921	lower dr. w/hinges - less lock
		1202B0468	washer m10	.25		1203-8951	rivet m25 (affix door in place)
	7	4733G0601	rivet "black" m25	.25	15	4751F8301	lock assembly w/o-ring



* Add .50 For Heater Vent |1.00 For Refrigerator |.50 For Hot Water Heater

4716C3951 Roadside Trim Tape/Hardware Kit

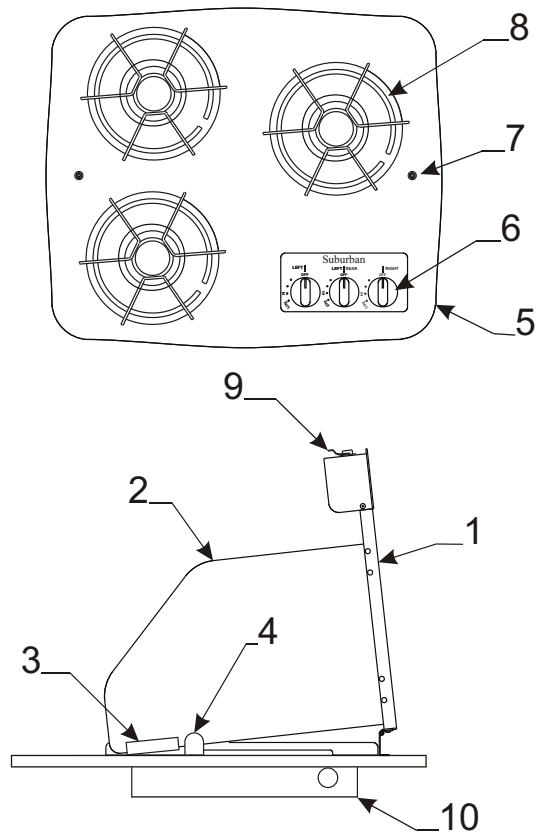
Flat Rate	Code	Part #	Description	Flat Rate	Code	Part #	Description
*2.00	1	4757P3091	left side body pnl. 4289	.25	15	4716-1331	water heater door
*2.00		4759D0721	left side body pnl. 4296	.10	16	4714A2861	drain cap & strap
*2.00		4754U2141	left side body pnl. 4291	.10	17	4741C9471	8" furnace vent
3.00	2	4757C9641	body rail 4289, 4296	1.00	18	4767B3271	left frt body rail (all)
3.00		4767C3161	body rail 4291 Sun Valley	.10	19	4737D2231	curtain track
.10	2A	4716-2771	vel-stick body rail pkg.	.75	20	4756A9951	glide-out body rail
		4757-0731	wire grommet & nut	1.00	21	4767B3241	left rr body rail (all)
.15	3	4716-7061	miter cover/rivet pkg. M4			4757-0731	wire grommet & nut.
.25	4	4734F4121	lift trim/gasket pkg. m4	.25	22	4716-8041	angle seal pkg. frt./rr
.15	5	4741C6041	top latch w/lock tab			4060000023P	d-seal "white" (5' pc.)
		4749-4848	foam pad	1.50	23	4767D3191	left rr pnl 4250, 4281
.50	6	4716C3951	trim tape & hardware kit	1.50		4757J9161	left rr body pnl 4278
.30	7	4731D1711	water tank spout	.20	24	4756-2651	L- channel 48" pc
	8	4741-3508	hex head tek screw x3	1.25	25	4757B5601	g/o cover plate "black"
.15	9	4733B23361	cable hatch	1.00	26	4756H6641	g/o body panel (all)
.30	10	4732F1521	city fill	1.50	27	4757J0961	lt. frt pnl 4250,78,81
	11	4060050008P	1/2" x 1" foam tape(12' pc.)	.75	28	4756A4171	strike w/screws
.50	12	4747D8321	refrigerator vent "upper"			4756-3251	shim
		4745-3968	painted screw arctic wht.	.75	29	4755-4091	latch & gasket
.50	13	4747D8331	reefer vent hinged "lower"	.75	30	4756-1181	pull handle
.25	14	4750C5861	o/s shower complete			4738-2608	tek screw "black"
		4716-7511	key Ch751 m2				
.15		4750A2961	lock assy. w/key				



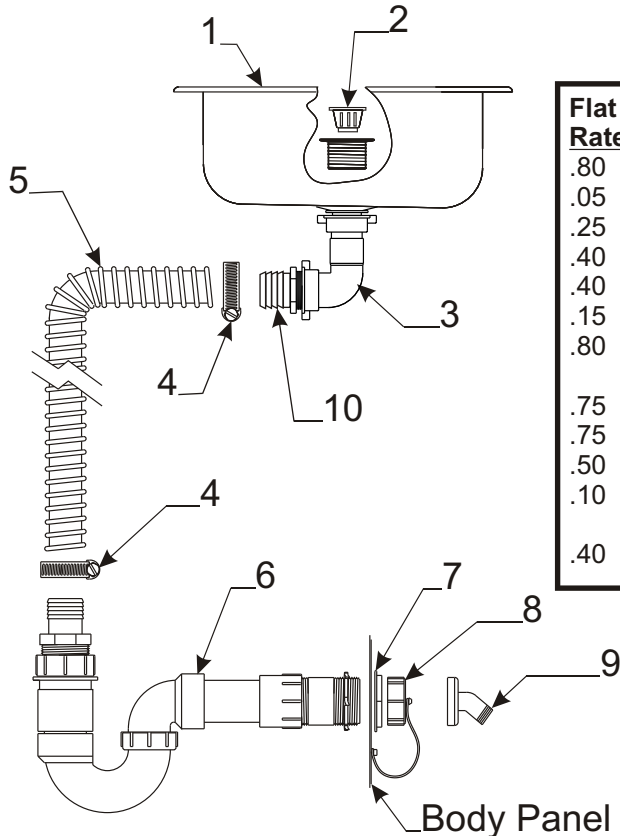
* Prior Authorization Needed

Flat Glide-Out Components 4250, 4281, 4278

Rate	Code	Part #	Description
*	1	4756F5081	g/o side panel "rear"
*		4756F5071	g/o side panel "front"
.50	2	4756-8471	ABS ware strip x2
.15	3	4756-2171	lock boot w/cover plate x2
.25	4	4754-3811	vel-stick (must cut to size)
	5	4730A3548	stud w/screw x2
.20	6	4756C1461	9/16" U-channel 48" pc.
.50	7	4756-1201	glide-out catch x2
.10	8	4756A1151	5 1/2" brush seal x2
	9	4759B6021	glide-out bench frames x2
	10	4724-2608	stop button "plastic"
.40	11	4756C6131	metal flip-up backrest x2
.10	12	4756C2071	glide-out tent bow
1.25	13	3568803202P	ware plate "galvanized" 30 x 55
1.25	14	4757B5601	g/o cover plate assy. "black"
	15	4756A136	cover support brkt. x1
1.25	16	4756C6591	outer tower x4
1.25	17	4756-6651	inner tower roller assy. x3
.25	18	4756D6041	wood kick plate assy.
.50	19	4757A2351	floor sweep
.50	20	6010415696P	universal paneling
.15	21	4758B3131	door panel 10" x 14 1/4"
.50	22	4773-209	71" edge cap "brown"
.75	23	4756-1161	glide-out roller x4
	24	4756A125	glide-out roller track x2
1.65	25	4759D5031	g/o bulkhead left front
1.65		4759D5041	g/o bulkhead left rear
.35	26	4756-3521	rsf g/o seal track
.35		4756-3511	rsr g/o seal track
.25		4064700589P	sweep seal "black" (8' pc. pkg.)
.25	27	4754B0901	table rest block "plastic"

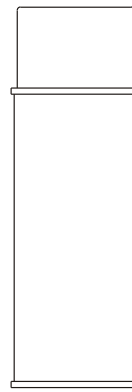
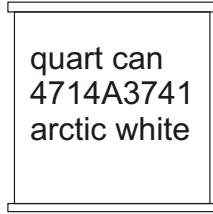
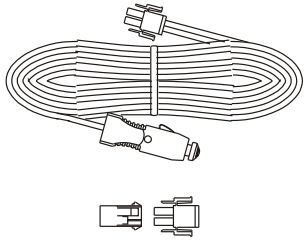


Stove Component Parts (Upper Galley Assy.'s)			
Flat Rate	Code	Part #	Description
.15	1	4758B1601	stove cover assy. "black"
	2	ITEM NOT SOLD SEPARATELY	
.05	3	4732A2291	edge molding m2
.15	4	4716A2641	stove fin stay brkt. m2
.15	5	4763A1461	3 burner cook top "black"
.05	6	4716B1861	knob x3
.05	7	4716A2631	stove top screw/washer m2
.05	8	4752B9881	stove grate x3
.15	9	4733-4018	stove cover latch
.15		4733-4028	stove cover strike
.75	10	4739J2931	3 burner stove box



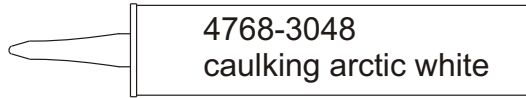
Sink & Component parts			
Flat Rate	Code	Part #	Description
.80	1	4768-1831	sink "black acrylic"
.05	2	4714C0661	crumb cup "only" (wht. threaded)
.25		4730E3151	crumb cup & basket
.40	3	4757-0861	elbow, nut & washer
.40		4757A9131	black rubber washer
.15	4	4715-4501	1 1/4" hose clamp
.80	5	4060012503P	1 1/4" drain hose pkg. (10' pc.)
		Note: must cut hose to length	
.75	6	4758F5431	drain trap assy. (all except 4289)
.75		4759C5411	drain trap assy. 4289 Santa Fe
.50	7	4757-0921	1 1/2" metal nut "white"
.10	8	4714A2861	cap & strap
	9	4737-9138	drain adapter
.40	10	4757A0871	adaptor 1 1/4" barb

4733D6701 auto extension

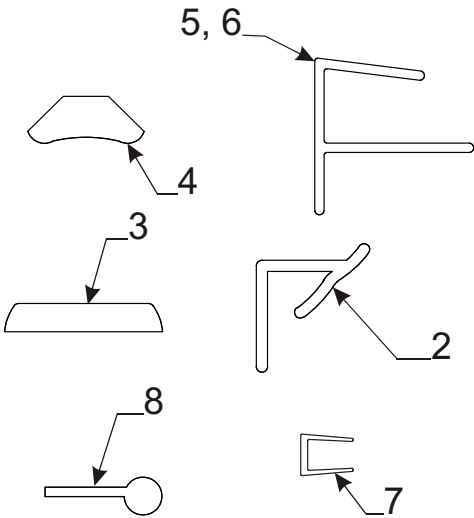


16 oz. spray
 0008-2561 arctic white
 0008-2571 black
 0008-2641 black textured
 0008-2701 summit ash

4716A4701 12 volt cap & plug m2

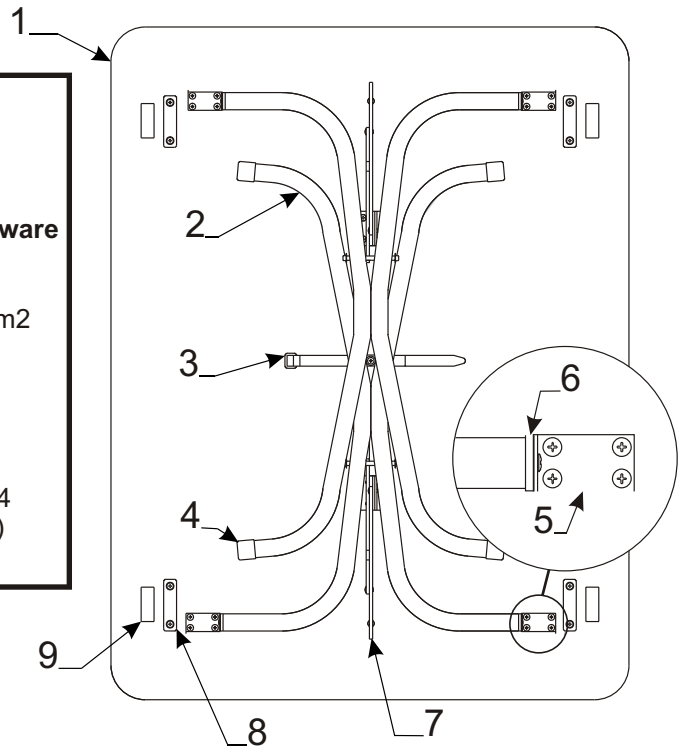


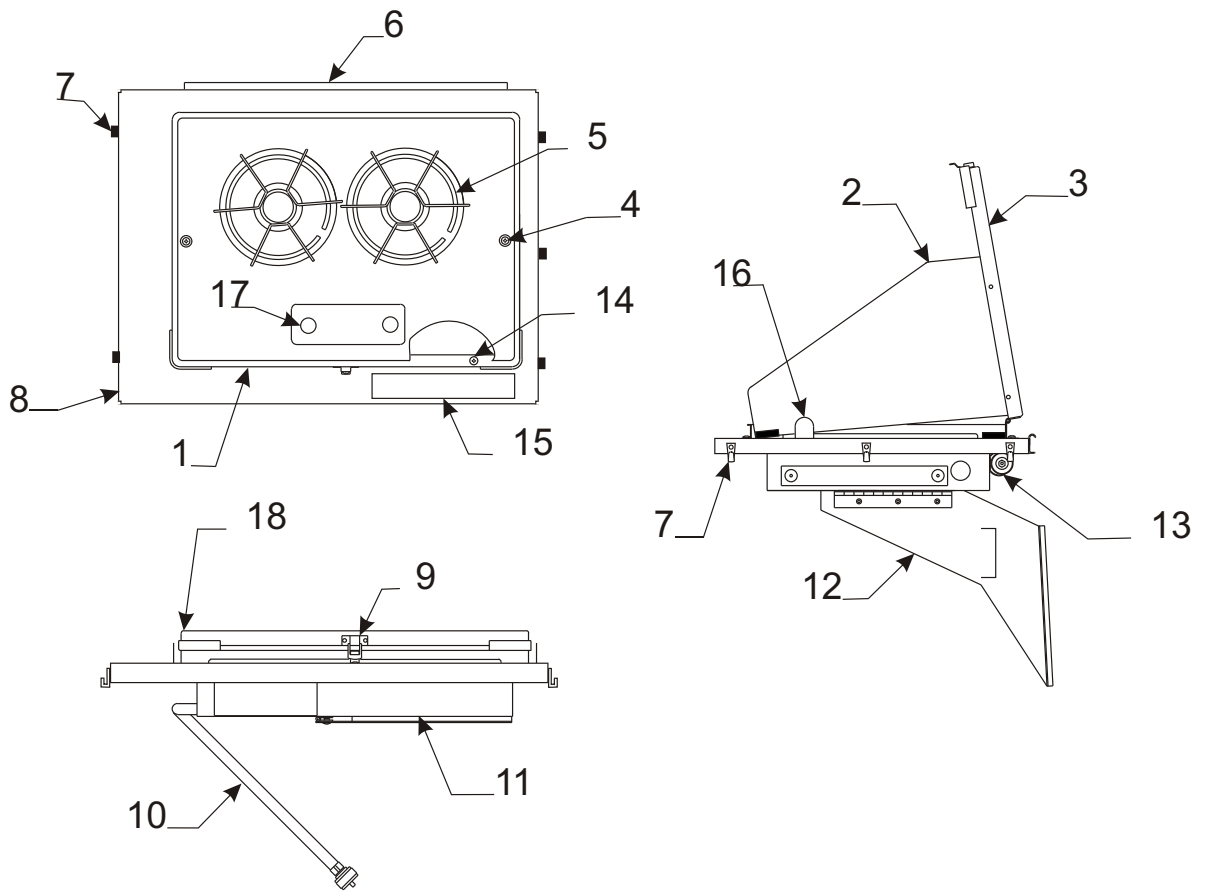
* Prior Authorization Needed



Flat Rate	Code	Part #	Description
*	1	6010010997P	wall panel (mozart pebble) 96" x 48"
*		6010415696P	woodgrain luan panel (summit ash) 48" x 48"
*	2	4060400380P	plastic corner divider (mozart pebble) 48" pc.
*		4060400379P	plastic corner divider (summit ash) 48" pc.
*	3	4066500065P	wood batten strip (mozart pebble) 96" pc.
*		4066500069P	wood batten strip (summit ash) 48" pc.
*	4	4060475011P	wood inside corner (summit ash) 48" pc.
*	5	4060115605P	5/32" F-channel woodgrain 48" (summit ash)
*	6	4060137505P	3/8" F-channel woodgrain 48" (summit ash)
	7	4060015604P	5/32" U-channel 48" (summit ash)
		4060095603P	3/8" U-channel 48" (summit ash)
		4756C1461	9/16" U-channel 48" (summit ash)
	8	4060000031P	sponge gimp 3/16" (21' pc. pkg.) brown
		4356500012P	1" vinyl seam tape (mozart pebble) 150' roll
		4350500005P	1" wood grain tape (summit ash) 150' roll

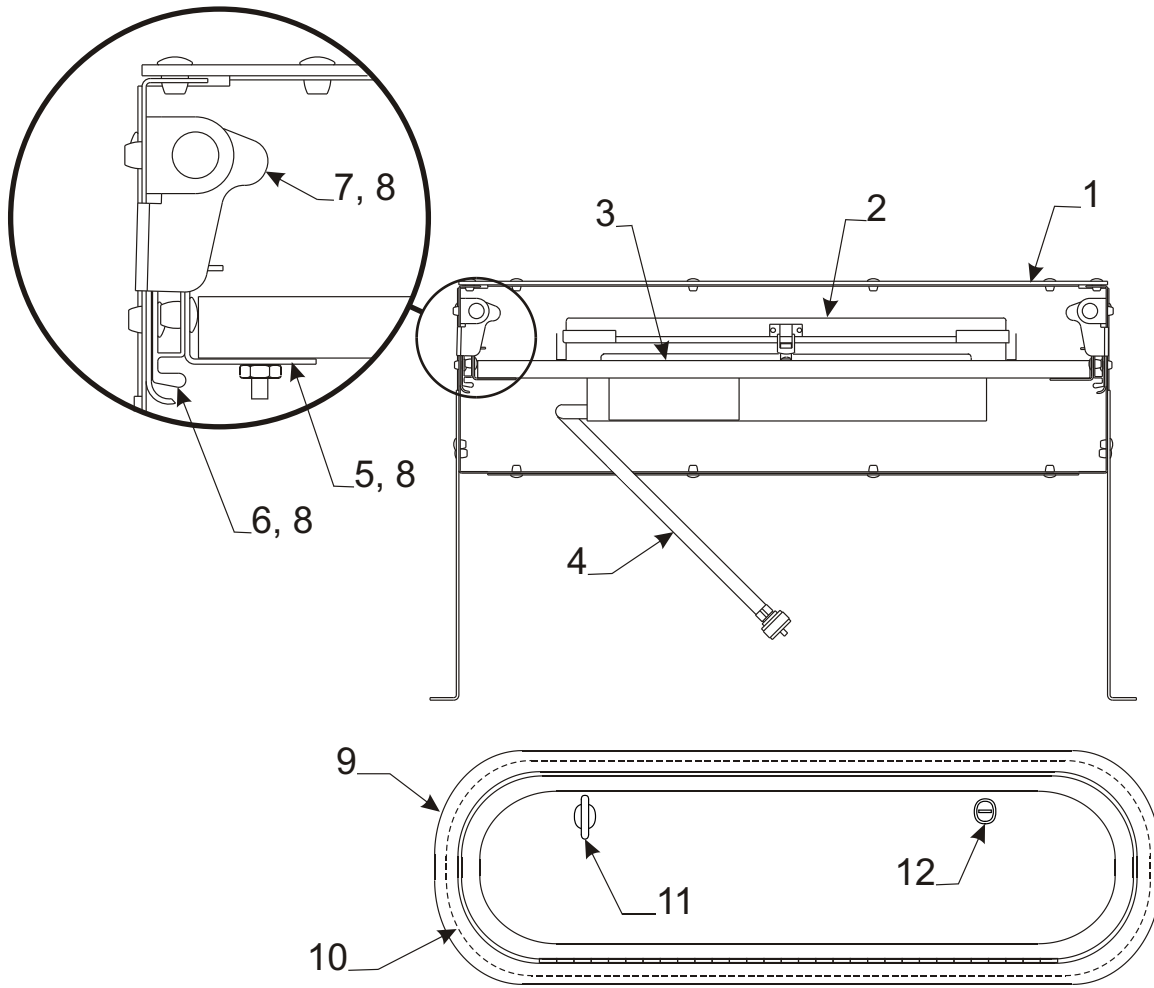
Flat Rate	Code	Part #	Description
.50	1	4759B4361	table top (39" x 30")
.50	2	4745K5271	table leg package
Note: pkg. includes 2 legs & required mounting hardware			
.10	3	4751A9711	strap & screw pkg.
.10	4	4752-0551	white plastic cap m2
.15	5	4720H1211	table leg mounting brace m2
		1103E1018	5/8" wood screw
.15	6	4752A0561	table leg insert cap m2
		4747-2558	expansion rivet m25
.25	7	4744-6971	lock brace assy. x2
		1103E1018	5/8" wood screw
.15	8	4756-8741	table top plastic spacer m4
		1103B08148	7/8" screw (x2 per spacer)
.05	9	4724D2631	velcro fastener m4





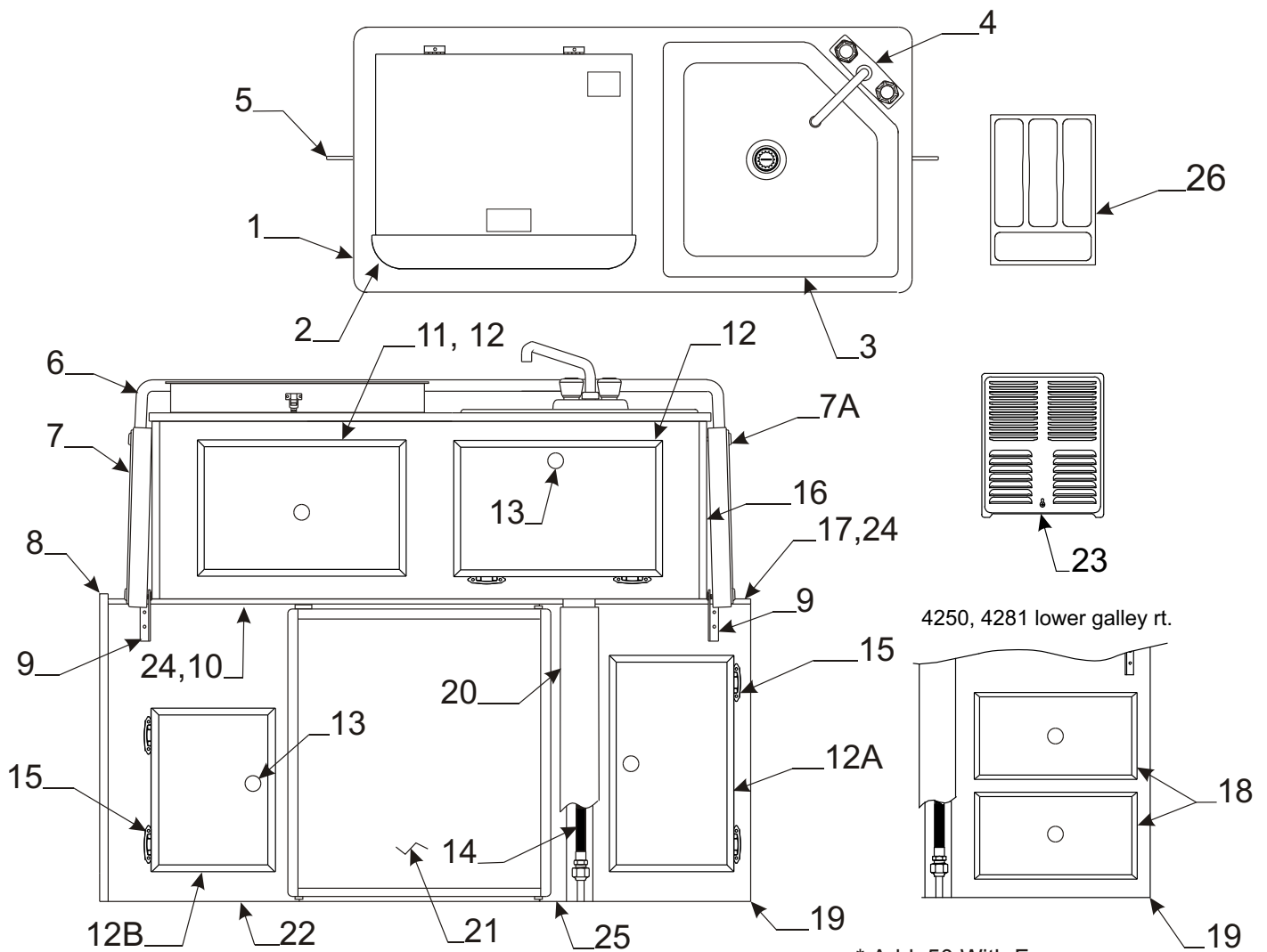
H.P. STOVE ASSY. COMPLETE - 4767C5891
 Vinyl Stove Storage Pouch (4752B6601)

Flat Rate	Code	Part #	Description
Outside H.P. Stove Components			
.15	1	4701-1201	2 burner cook top (Vitco)
.15		4713-0671	2 burner cook top (Atwood)
	2	Note: Item not sold separately	
.15	3	4701-1191	stove cover assy. (Vitco)
.15		4713-0711	stove cover assy. (Atwood)
.05	4	4716-2631	screw/washer m2 (Vitco)
.05		4716A0881	screw/washer m2 (Atwood)
.05	5	4752A9881	grate x2
.35	6	4754C0471	stove hanger brkt.
.15	7	4720E4021	lashing hook m6
.60	8	4758D1971	metal counter top (Vitco)
.60		4758H1971	metal counter top (Atwood)
.15	9	4733-4018	latch
.15		4733-4028	latch strike
.25	10	4746A9891	gas hose
.75	11	4746C9481	2 burner stove box (Vitco)
.75		4713-0691	2 burner stove box (Atwood)
.25	12	4767A5561	outside stove flap
.15	13	4734-2431	gripper clip m4
.10	14	4716-4591	screw & weld pin m4
.15	15	4742-9538	h.p. decal
.15	16	4716A2641	fin stay brkt. M2
.15		17	4716-2681stove knob (Vitco)
.15		4713-0681	stove knob (Atwood)
.05	18	4732A2291	edge molding m2



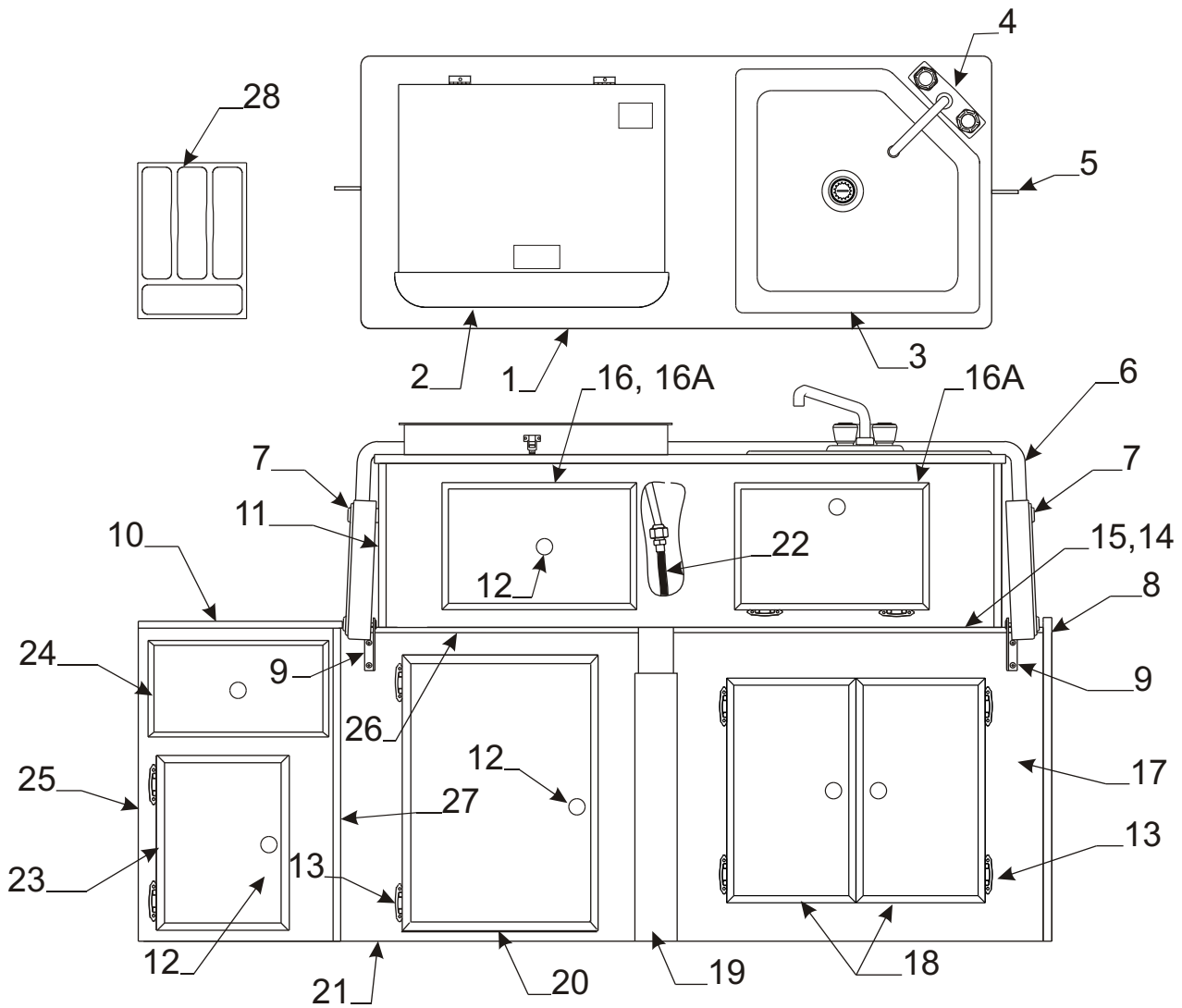
STOVE ASSY. COMPLETE - 4744M5551

Flat Rate	Code	Part #	Description1
		Pull-Out HP Stove Components 4289, 96, 81, 50	
.50	1	4744F5821	stove box assy.
	2	Note: Refer to Hp stove assy. page 14	
.60	3	4744J2141	stove counter top (Vitco stove)
.60		4744K2141	stove counter top (Atwood stove)
.25	4	4746A9891	gas hose
.15		4734-2431	gripper clip m4
.75	5	4744C3181	slide angle "black" x2
.75	6	4744B3211	stove slide set 16" (rt./lt.)
.25	7	4744C5841	latch assy. "left"
.25		4744C5851	latch assy. "right"
	8	1203-8651	rivet m25
.25	9	4702-4171	stove hatch door
.20	10	4060000402P	D-seal foam "white" (6'pc. pkg.)
.15	11	4765-9981	chrome thumb turn
.15	12	4772-9201	stove door cam lock
		4730B3211	cam lock key m10 (#8025)



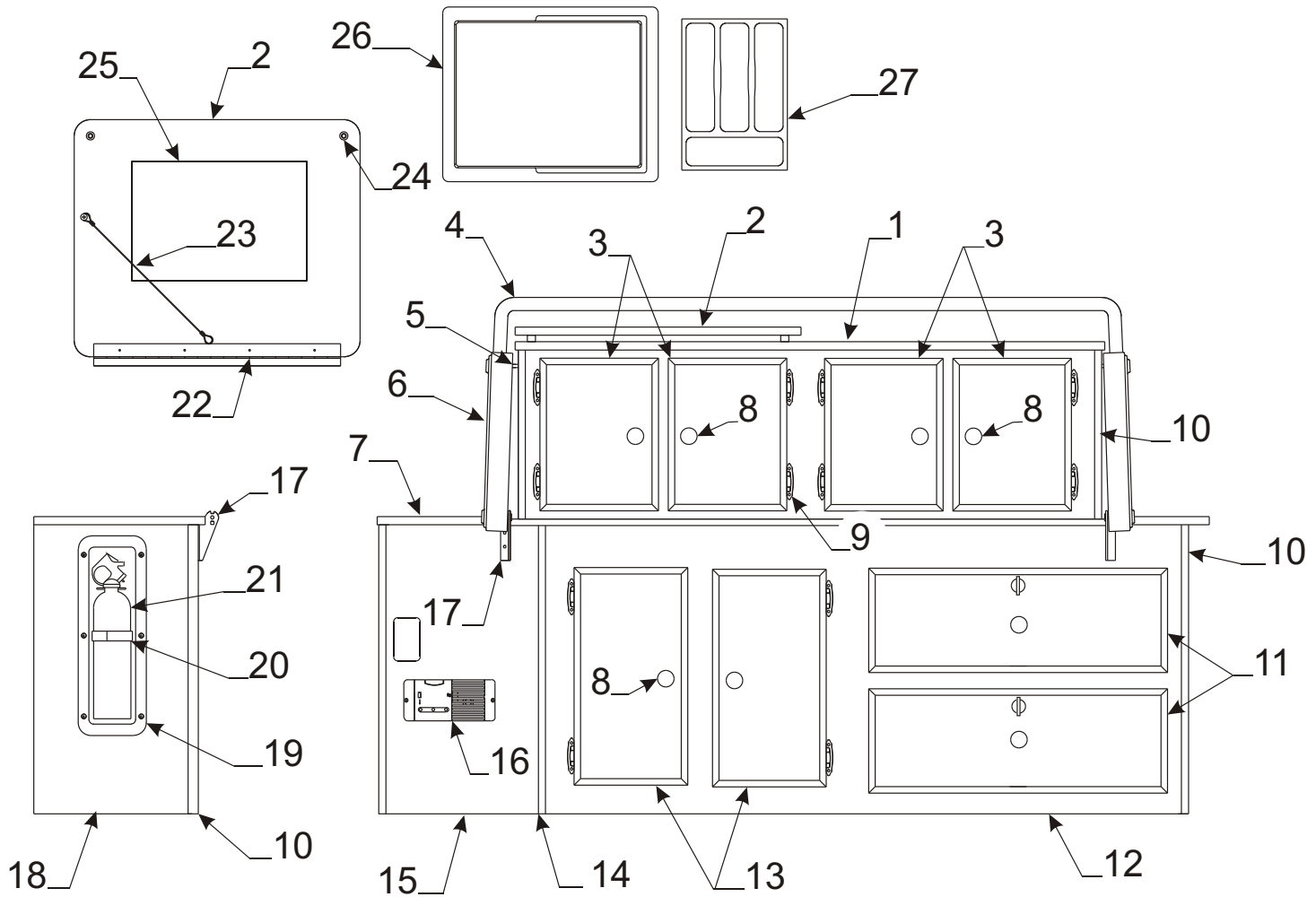
Flat Rate	Upper/Lower Galley 4289, 4296, 4250, 4278, 4281	Code	Part #	Description	FR	Code	Part #	Description	
1.25		1	4752U9071	galley top (Suburban Stove)	.15	12	4758B3131	door/drawer pnl. 14 1/4" x 10"	
1.25			4752T9071	galley top (Vitco Stove)	.15		4733-6391	latch & strike pkg.	
		2	Note: refer to page 12 for stove components			.15	12A	4767A4771	door panel 8 3/4" x 16 3/4"
.80		3	4768-1831	sink "black acrylic"	.15	12B	4758B4041	door panel 12" x 9 1/8"	
			Note: refer to page 12 for sink components			.10	13	4748C3951	door pull w/screws
1.00		4	4745E2741	mixer faucet	.25	14	4753-5581	flexible gas hose	
.75		5	4756A6631	upper galley pivot brkt. (lt. & rt.)	.10	15	4762-4878	hinge	
			4744D4601	rivet "elm" m25	.65	16	4060137505P	3/8" f-channel 48" pc.	
1.00		6	4756H1511	galley lift bar	1.00	17	4767B2191	lower galley top rt. 4289, 96	
			4744-6321	galley bar chain assy. x2	1.00		4767B3311	lwr galley top rt. 4250,78, 81	
			4737B9238	upper 12 tooth sprocket	.10	18	4755A7681	drawer assy. 4150, 4281	
			4737A9238	lower 12 tooth sprocket	.15		4767A3201	drawer front 13" x 8"	
.15		7	4757D1941	chain cover lt. "plastic"	1.00	19	4754E8401	lower galley frt. rt. 4289, 4296	
.15		7A	4757D1951	chain cover rt. "plastic"	1.00		4756L0521	lower galley frt. rt. 4250, 4281	
.75		8	*4758C0871	seat gazoodi 4289, 4296	1.00		4754F8341	lower galley frt. rt. 4278	
.75			*4756D0011	seat gazoodi 4250, 4278, 4281	.25	20	4750J6731	filler assembly	
.30			4060400093P	lipped t-molding 12' pc. pkg.	.50	21	6010415696P	reefer door wood insert	
.60		9	4716B1821	lower galley brkt. pkg.	.75	22	*4767B2181	lower galley frt. lt. 4289, 96	
1.00		10	*4758C8421	lower galley top lt. 4289, 4296	.75		4754M3281	lower gal. frt. lt. 4250, 78, 81	
1.00			4757J1621	lower galley top lt. 4250, 78, 81	.10	23	4743-3551	furnace grill	
.20			4746C0971	kill switch m4	.10	24	4060175000P	edge trim wood grain 6' pc.	
.20			4733C4981	rocker switch (elec. pump)	.75	25	4757B496	lower galley frt. sm 4289, 96	
.15		11	4702-5801	drawer assy.(all)	.75		4755H464	lower gal. frt. sm. 4250, 78, 81	
					.05	26	4755-4481	cutlery tray	

* Add .50 With Furnace



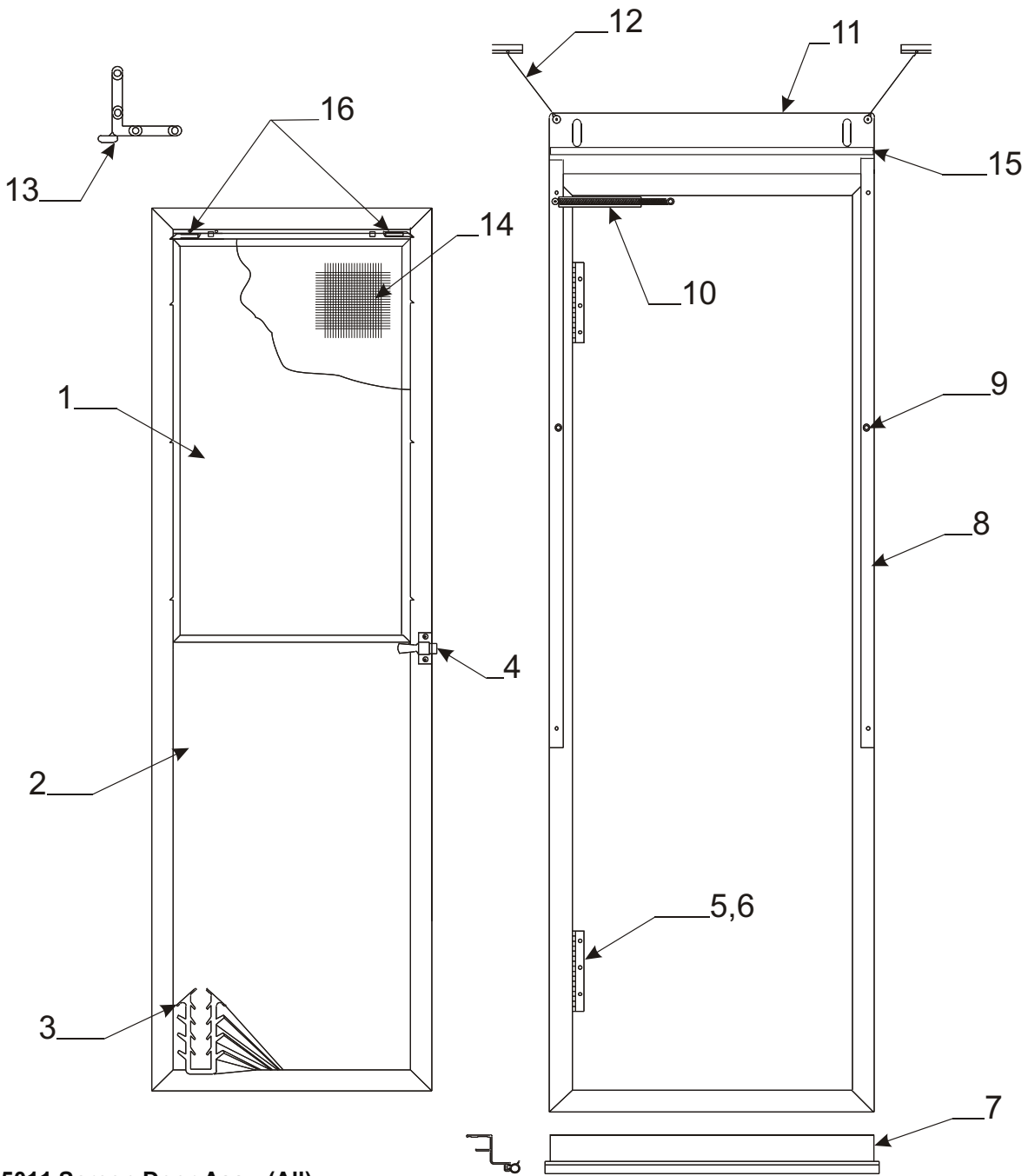
* Add .50 with furnace

Flat Rate	Upper/Lower Galley - 4291 Sun Valley	Flat Rate	
Code	Part # Description	Code	Part # Description
2.00	1 4759F3221 galley top (Surburban Stove)	.10	14 4060175000P 1/2" x 3/4" trim angle 6' pc.
2.00	4759E3221 galley top (Vitco Stove)	1.00	15 4767A2461 lower galley top rt.
	2 Note: refer to page 12 for stove components	.20	4746C0971 kill switch m4
.80	3 4768-1831 sink "black porcelain"	.20	4733C4981 rocker switch (elec. pump)
	Note: refer to page 12 for sink components	.15	16 4702-5801 drawer assy.
1.00	4 4745E2741 mixer faucet	.15	16A 4758B3131 dr/drawer pnl. 14 1/4" x 10"
.75	5 4752A9271 galley pivot brkt. (lt. & rt.)	1.00	17 4757C8161 lower galley front rt.
	4744D4601 rivet "brown" m25	.15	18 4767A4771 door pnl. 8 3/4" x 16 3/4"
1.00	6 4756D4071 galley lift bar	.25	19 4750J6731 filler assembly
	4757-6341 chain assy x2 per bar	.15	20 4758B3061 dr. panel 18 1/2" x 12"
.15	7 4757D1911 plastic chain cover (left)	.15	4733-6391 latch & strike pkg.
.15	4757D1921 plastic chain cover (right)	1.00	21 4767B4051 lower galley front lt.
.75	8 4767A2471 seat gazoodi	.45	22 4753-5581 flexible gas hose 48"
.30	4060400093P lipped t-molding 12' pc. pkg.	.15	23 4758B4041 door assy. 12" x 9 1/8"
.60	9 4716B1821 lower galley brkt. pkg.	.15	24 4767A3201 drawer pnl. 13" x 8"
1.00	10 4767C4081 cabinet top	.10	4767B6981 drawer assy.
.10	4747-8941 black plastic cap m2	Note: refer to page 20 for drawer components	
.65	11 4060137505P 3/8" f-channel 24"pc.	.75	*25 4767A4061 cabinet front
.10	12 4748C3951 door pull w/screws	.75	26 4757H0051 lower galley top lt.
.10	13 4762-4878 hinge	.75	27 4767A4071 cabinet side panel
		.05	28 4755-4481 cutlery tray



CS Swing Level Vanity Cabinet Assy. - 4278 Bayside

FR	Code	Part #	Description	Flat Rate	Code	Part #	Description
1.25	1	4767C2911	cabinet top	1.00	12	4767C2801	lower cabinet frt. rt.
.50	2	4767C2921	lift up board assy.	.15	13	4767A4771	door panel 8 3/4" x 16 3/4"
.15	3	4758B4041	door pnl. 9 1/8" x 11 3/4"	.15		4733-6391	latch & strike pkg.
1.00	4	4756D4071	lift bar	.50	14	4767A289	panel connector
		4744-6321	chain assy. x2 per bar	1.00	15	4767D2811	lower cabinet frt. lt.
.75	5	4756A6631	pivot bracket	.25	16	4753B9171	lp gas detector
		4734K1861	rivet "elm" m25	.60	17	4716B1821	lower cabinet brkt. pkg.
.15	6	4757D1911	plastic chain cover (left)	.50	18	4767B2861	cabinet side lt
.15		4757D1921	plastic chain cover (right)	.15	19	4737B4198	recessed mount
.25	7	4767D2841	lower cabinet top			4738-3088	screw x6
.10		4747-8941	black plastic cap m2	.05	20	4716-1191	fire extinguisher strap m2
.20		4746C0971	kill switch m4	.10	21	4737A5558	fire extinguisher
.10	8	4748C3951	door pull w/screws	.15	22	4767-293	hinge
.10	9	4762-4878	door hinge		23	4755-7181	stop cable
.65	10	4060137505P	3/8" f-channel 48" pc.	.05	24	4724-2608	stop button x2
.15	11	4767A47861	drawer frt. 22 3/4" x 7 3/4"	.25	25	4757-0161	mirror
.10		4755B7211	drawer assembly		26	4773-0311	vanity bin (plastic)
.15		4767-3601	chrome thumb turn lock	.05	27	4755-4481	cutlery tray

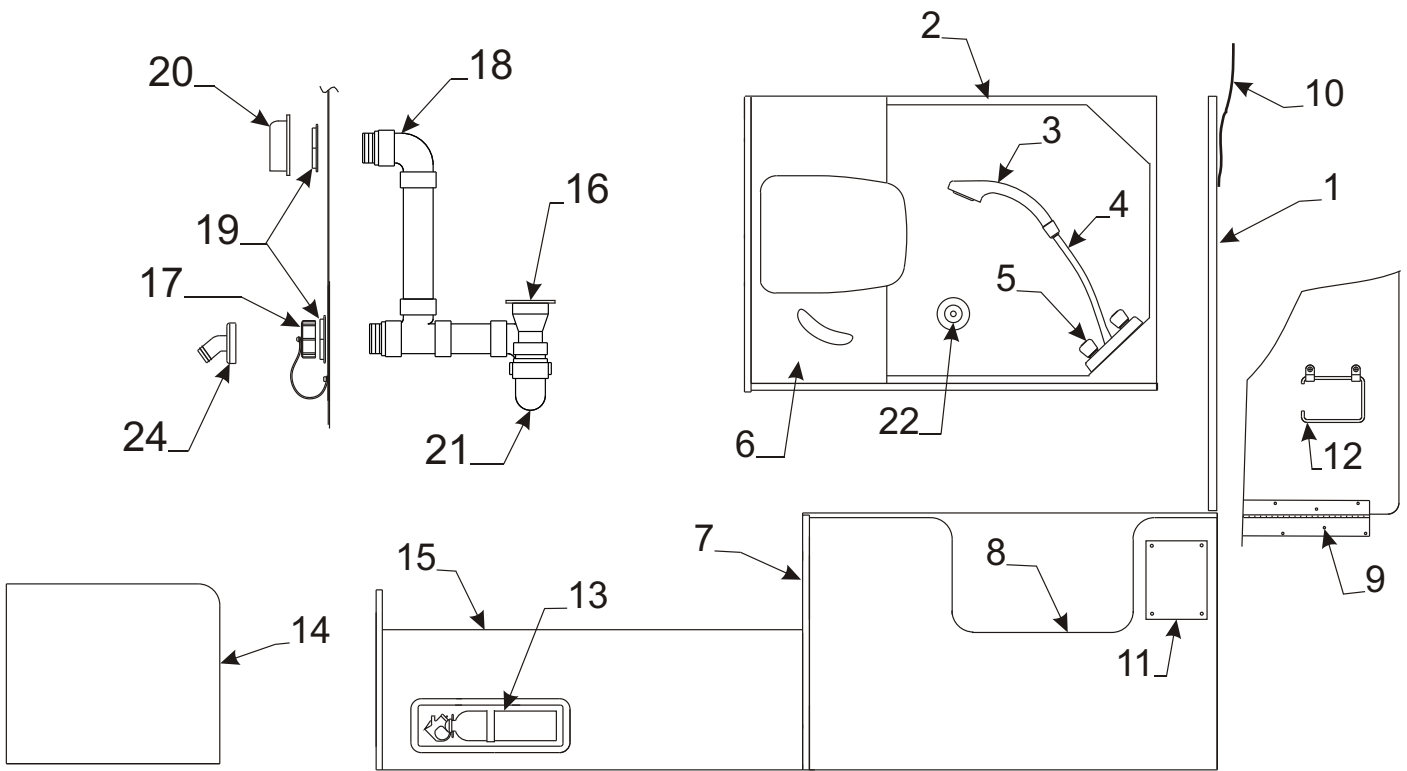


4769B5011 Screen Door Assy. (All)

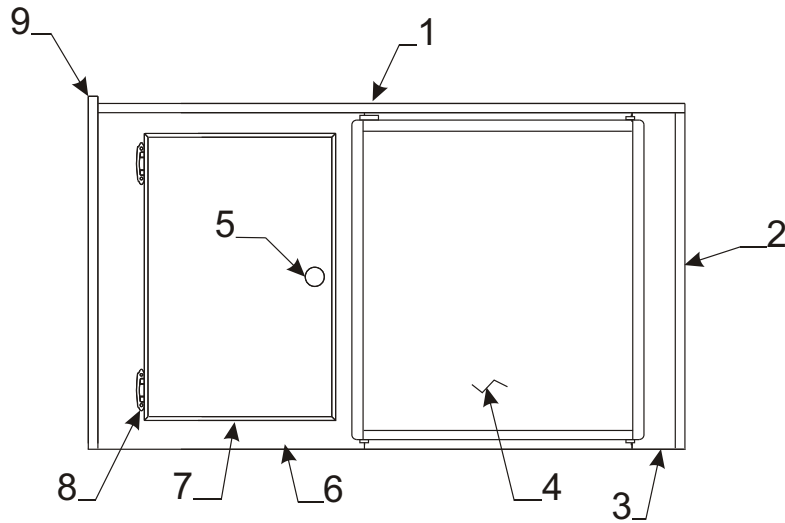
.30 Flat Rate Screen Door Complete

Note: parts marked w/* asterisk are not included w/screen door

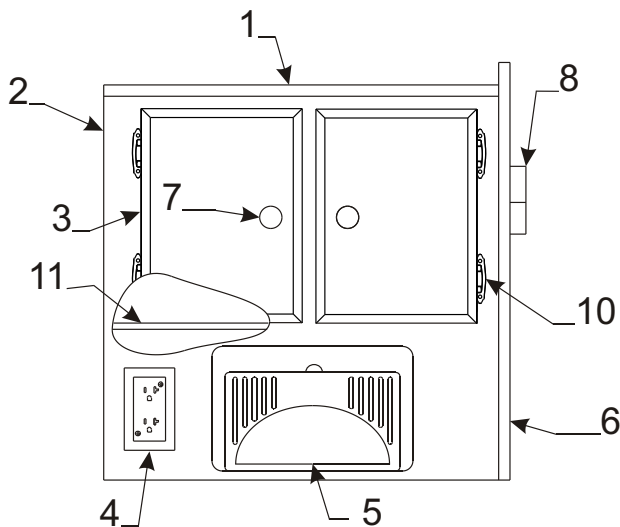
Flat Rate	Screen Door Assy. Components	Flat Rate	Screen Door Assy. Components
Code	Part #	Code	Part #
	Description		Description
.10	1 4716E3401 top sliding window pane	.05	9 4730A3548 stud w/screw x2
.40	2 4754D1541 stationary window pane	.20	10 4731A8201 spring package
.15	3 4060000086F rubber seal (sold/foot)	.30	11 4758C0571 top bracket
	Note: around perimeter of window pane	.15	12 4734D5211 cable assy. m6
.15	4 *4742-9671 door latch assembly	.50	13 4710-3791 corner brace hinge m2
.15	5 4720C3601 hinge x2	.10	14 4716-1381 screened stationary pane
	6 1203-8641 rivet m25	.75	4716-1111 screening 36" x 18 1/2"
.25	7 *4747A5621 screen door support	.10	15 4060000023P d-seal "white" (5' pkg.)
	*4060000399F rubber seal (sold/foot)	.50	16 4716-3811 window lock pkg. rt./lt.
.20	8 4754A3811 vel-stick (pkg. of 2)		



Flat Shower Stall Components - 4250 Williamsburg				
Rate	Code	Part #	Description	
.40	1	4755A7991	shower cover board	
.30		4060450008P	1/2" t-molding pkg. (12' pc.)	
1.50	2	4759B1001	shower pan	
1.50		4757F6721	shower cabinet assy.	
.15	3	4767-0101	shower head w/bracket	
		4767-0111	shower head bracket	
.20	4	4741B2051	shower hose (72" length)	
.50	5	4741B2071	shower diverter	
.10		4716-0848	shower hose connector	
.75	6	4746D2461	electric flush cassette potty	
.75	7	4754F3861	shower wall	
.30		4060400093P	5/8" t-molding pkg. (12' pc.)	
1.50	8	4756F4621	shower threshold	
.30		4060300083P	t-molding (threshold) (12' pc.)	
.25	9	4756-4441	shower board hinge	
.15	10	4757A6701	hold-up trap	
.25	11	4757C2171	shower hose cover	
.15	12	4756-9121	TP holder	
		4747-2531	1/4" nylon clamp m2	
	13	Note: refer to page 22 for fire extinguisher		
.30	14	4756E4921	seat end	
.30		4060400093P	5/8" t-molding pkg. (12' pc.)	
.15	15	6010415696P	seat front panel 48" x 48"	
	16	4757-8561	drain plug adapter	
.10	17	4714A2861	cap & strap	
1.00	18	4741B9301	vent system	
		4757-928	1 7/8" vent screen	
.50	19	4757-0921	metal nut "white"	
.20	20	4757-9261	vent cover "plastic"	
.40	21	4752-3621	p-trap w/union joint	
.50	22	4746A1821	basket & strainer	
	23	4741D6361	tub package.	
	24	4737-9138	drain adapter	

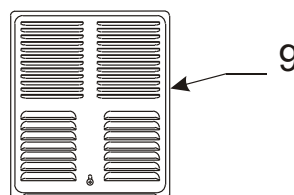


Flat Rate	RS Code	Hutch Assy. - 4291 Sun Valley Part #	Description
1.50	1	4767D2501	hutch top
.30	2	4757C8771	hutch side
.75	3	4767A249	hutch frt. rt.
.25	4	6010415696P	reefer wood insert panel
.10	5	4748C3951	door pull (includes screw)
.75	6	4752M4551	hutch front "left"
.15	7	4758B3061	door pnl. 18 1/2" x 12"
.10	8	4762-4878	hinge
.75	9	4767A2471	gazoodi
.30		4060400093P	lipped t-molding (12' pc. pkg.)



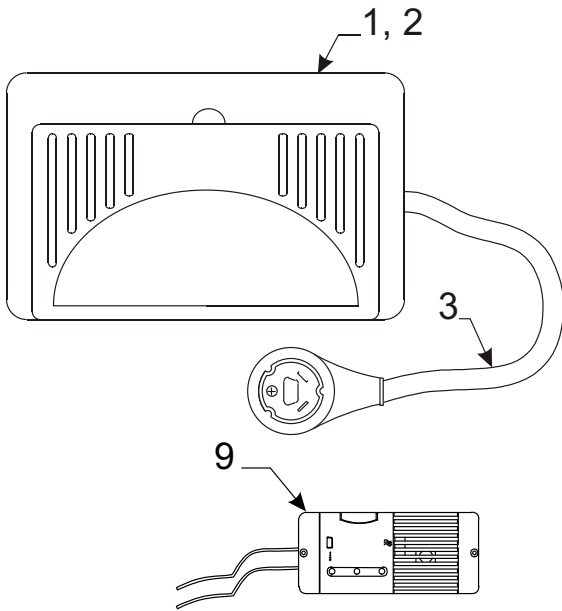
Flat Rate	RSR Code	Corner Cabinet Assy. - 4250, 4281 Part #	Description
.25	1	4756N0081	cabinet top
.75	2	4756N0071	cabinet front
.15	3	4758B4041	door panel 12" x 9"
.20	4	4752-2371	20 amp receptacle
1.00	5	4753E8201	converter 25 Amp
1.00	6	4756D0011	gazoodi
.30		4060400093P	t-molding pkg. (14' pc.)
.10	7	4748C3951	door pull w/screw
*	8	4755B8201	nylon block x2
.10	9	4743-3551	furnace grill
.10	10	4762-4878	hinge (spring loaded)
.20	11	4755G358	converter cover shelf x2

* Prior Authorization from factory needed.

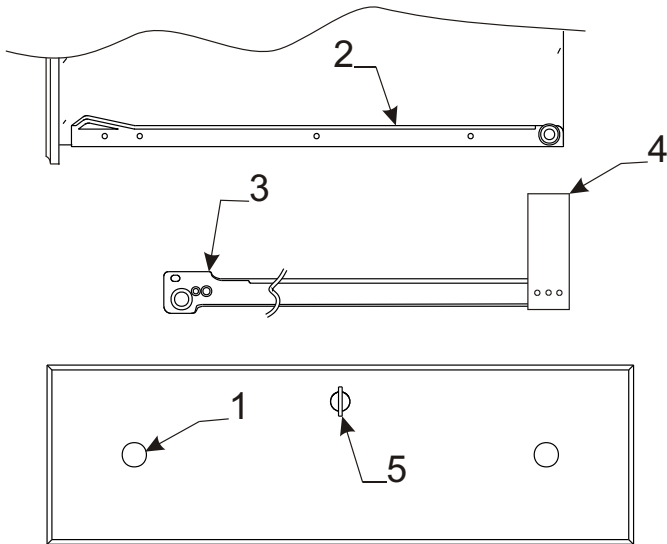
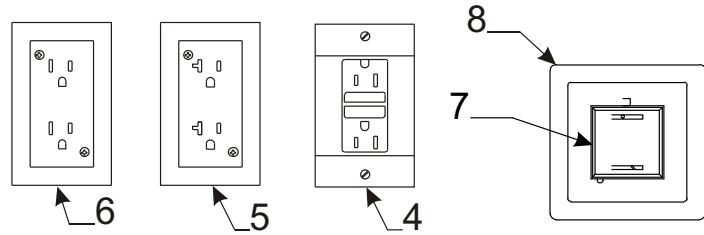


* Item warranted through vendor

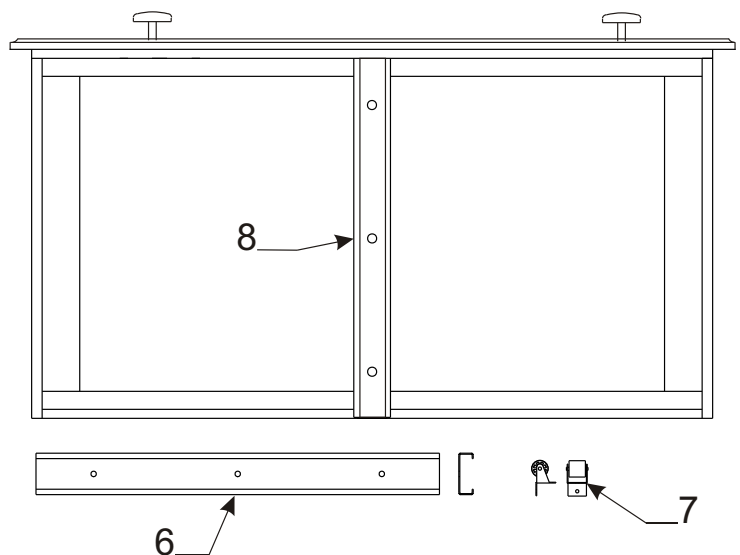
WORLD FRIENDSHIP CO., LTD
Warranty: 800-900-2468

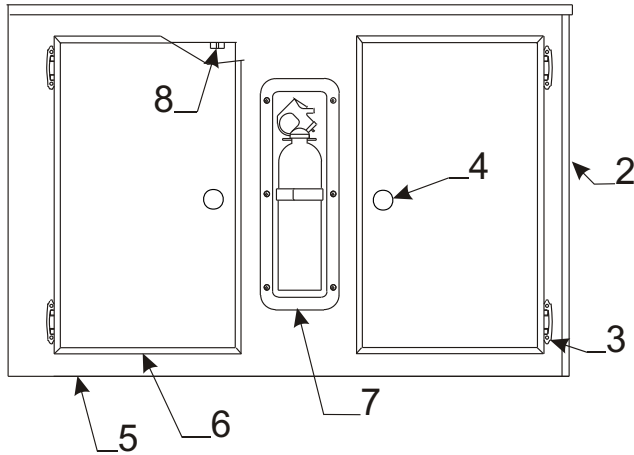
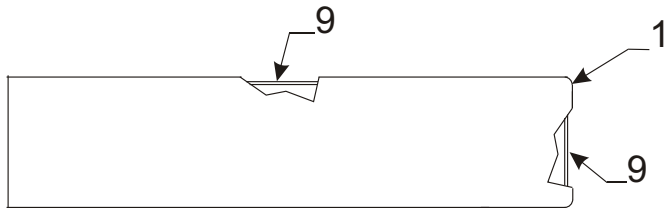


Flat Rate	Code	Part #	Description
1.00	1	4753E8201	converter 25 amp WFCO
.15	2	4716D1301	face cover w/door (plastic)
.60	3	4772-1601	power cord 32 ft.
.35	4	4746E3841	15 amp GFI receptacle (white)
.35		4746D3841	15 amp GFI receptacle (brown)
.20	5	4752-2371	20 amp receptacle (white)
.20		4744-3081	20 amp receptacle (brown)
.20	6	4752-2361	15 amp receptacle (white)
.20		4710B3551	15 amp receptacle (brown)
.20		4765-4041	15 amp reefer receptacle (white)
.40		4746A3851	receptacle box
.50	7	4752A8461	*thermostat
.20	8	4756B8811	plastic base & bracket

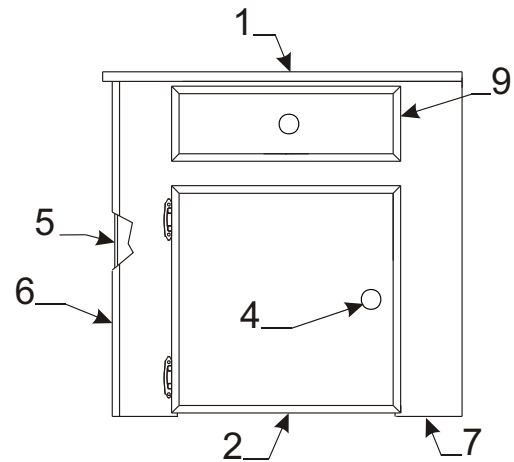
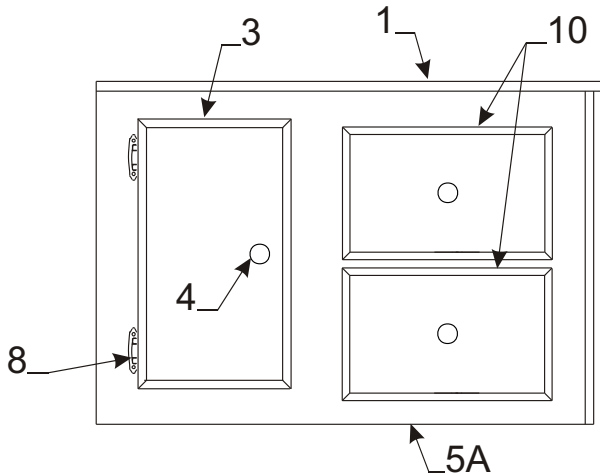


Flat Rate	Code	Part #	Description
.10	1	4748C3951	door pull w/screw
.50	2	4758A102	12" drawer slide LHD
.50		4758A103	12" drawer slide RHD
.50		4758A104	18" drawer slide LHD
.50		4758A105	18" drawer slide RHD
.50	3	4755A8861	20" drawer guide RT./LT.
.50		4755A8821	14" drawer guide RT./LT.
.25	4	4758A292	drawer guide brkt. 14" x 4 3/4"
.25		4758B173	drawer guide brkt. 12 1/4" x 8"
.15	5	4767-3601	thumb turn lock
.25	6	4757B8891	17" metal drawer guide
.10	7	4757-8911	drawer roller m2
.25	8	4758-8391	20" pvc i-beam drawer guide

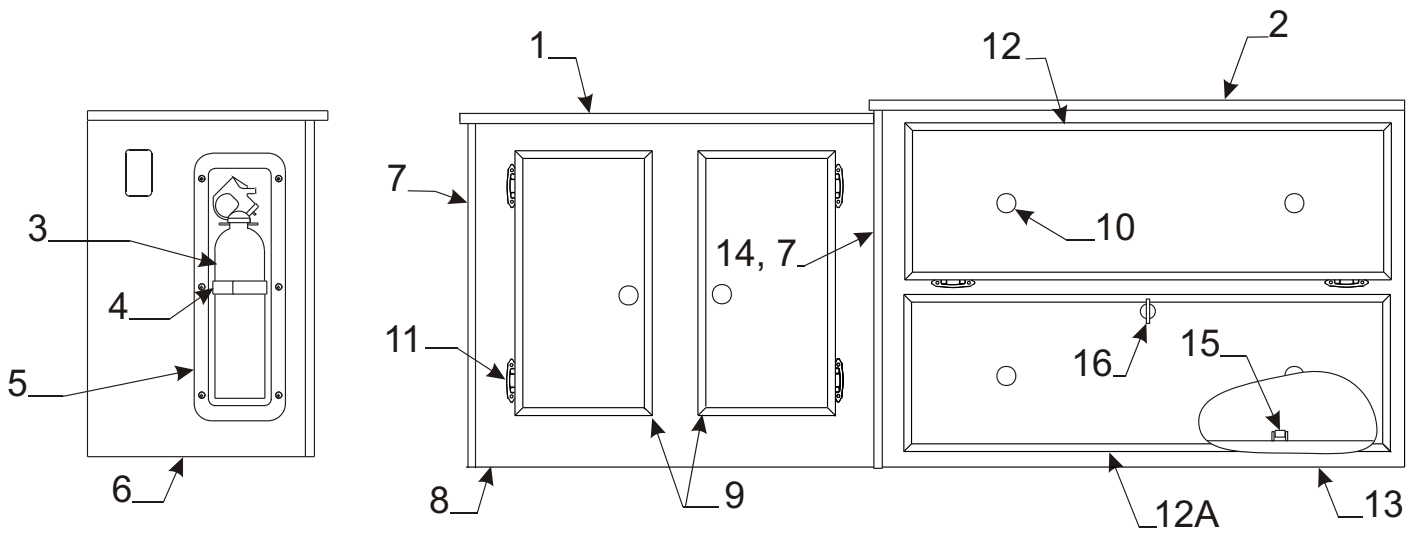




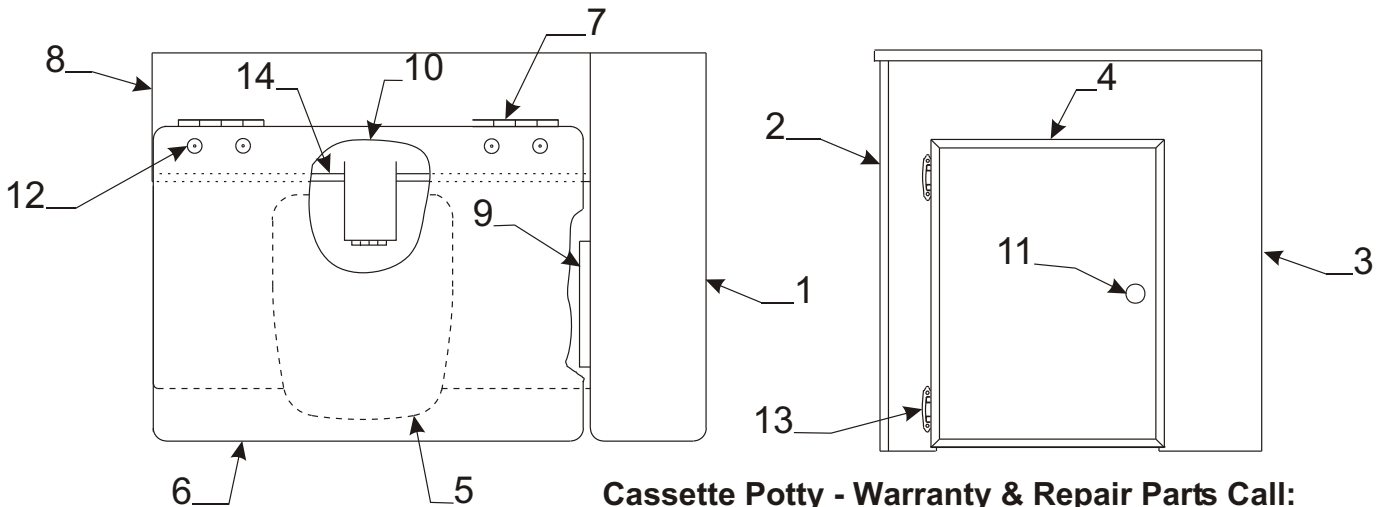
Doorway Hutch Assembly - 4291 Sun Valley			
Flat Rate	Code	Part #	Description
.25	1	4767C2661	cabinet top
.65	2	4060137505P	3/8" f-channel 48" pc.
.10	3	4762-4878	hinge
.10	4	4748C3951	door pull (includes screw)
.30	5	4767C2651	cabinet side
.15	6	4758B3061	door pnl. 18 1/2" x 12"
.15	7	4737B4198	recessed mount
		4738-3088	screw x6
.10		4737A5558	fire extinguisher
.05		4716-1191	fire extinguisher strap m2
.15	8	4733-6391	latch & strike pkg.
.50	9	6010415696P	luan wood grain panel



Flat CSF Corner Cabinet 4289, 4296, 4278, 4281, 4250				Flat			
Rate	Code	Part #	Description	Rate	Code	Part #	Description
.50	1	4758D2961	cabinet top 4296	.65	6	4060137505P	3/8" f-channel 48" pc.
.50		4767B4761	cabinet top 4289, 4281, 4278	.50	7	4754F8211	cabinet side 4296
.50		4756K0031	cabinet top 4250	.50		4759B0961	cabinet side 4289, 78, 81
.15	2	4758B4261	dr. pnl. 15 1/8" x 15 1/8" 4296, 78	.50		4767A4801	cabinet side 4250
.15		4733-6391	latch & strike	.10	8	4762-4878	hinge
.15	3	4767A4771	dr. pnl. 16 3/4" x 8 3/4"	.15	9	4758B3081	drawer frt. 14 3/4" x 4 3/4"
.10	4	4748C3951	door pull w/screw	.10		4767D5451	drawer assy. 4296
.50	5	6010415696P	5/32" wood luan side 4296	.15	10	4767A3201	drawer frt. 13" x 8" 4250
.75	5A	4756F4671	cabinet front 4289, 78, 81	.10		4755A7681	drawer assy. 4250
.75		4756G0041	cabinet front 4250				

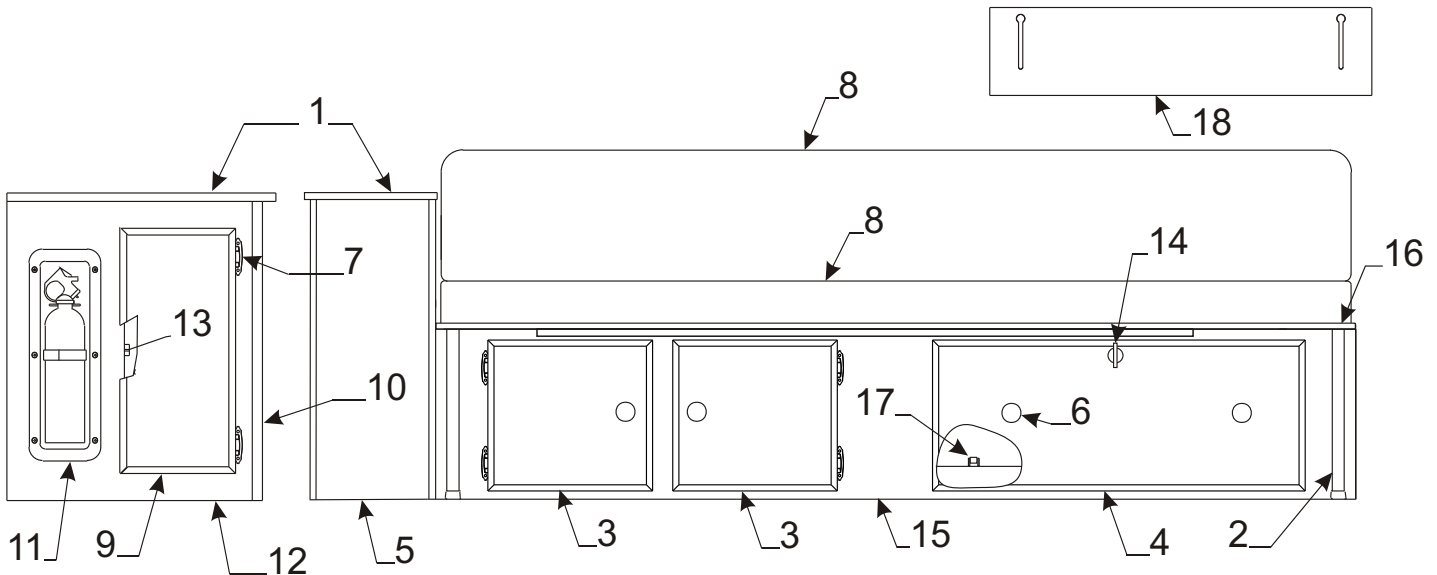


Flat Rate	Code	Part #	Description	Flat Rate	Code	Part #	Description
.75	1	4767A9031	hutch top "left"	.10	10	4748C3951	door pull (includes screws)
.75	2	4759D1621	hutch top "right"	.10	11	4762-4878	hinge
.10	3	4737A5558	fire extinguisher	.15	12	4767B2401	door front 30 1/4" x 9 1/4"
.05	4	4716-1191	fire extinguisher strap m2	.15	12A	4767B24061	drawer front 30 1/4" x 9 1/4"
.15	5	4737B4198	recessed mount	.10		4754B7921	drawer Assy. x1
		4738-3088	screw x6				Note: refer to page 20 drawer components
.55	6	4767B2331	hutch side	1.25	13	4754H0551	hutch front "right"
.65	7	4060137505P	3/8" f-channel 48" pc.	1.00	14	4767-904	center panel
.50	8	4754H0491	hutch front "left"	.10	15	4757-8911	drawer roller guide m2
.15	9	4767A4771	door pnl. 8 3/4" x 16 3/4"	.15	16	4767-3601	thumb turn lock



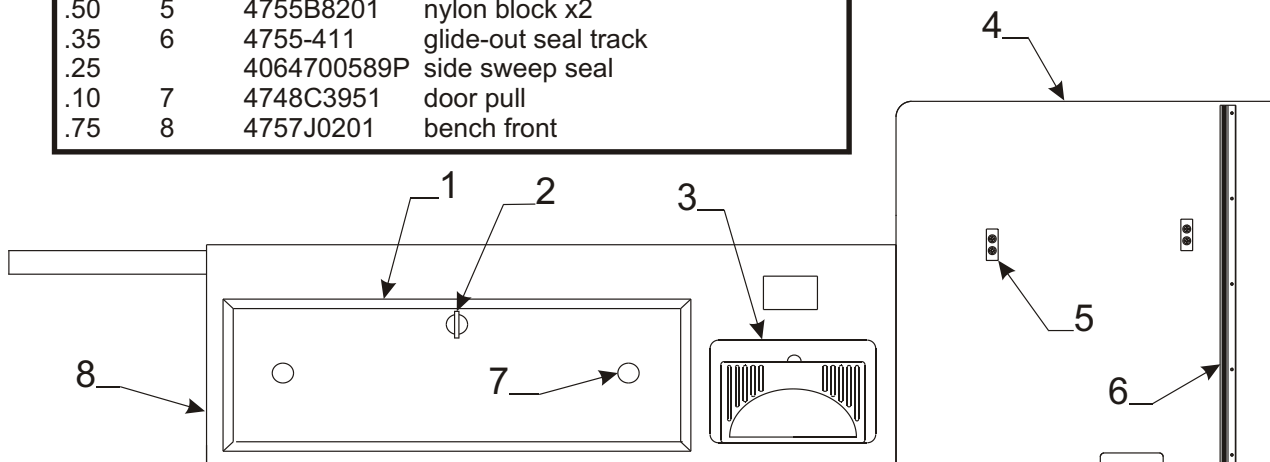
**Cassette Potty - Warranty & Repair Parts Call:
Thetford - Phone # 1-800/354-4135**

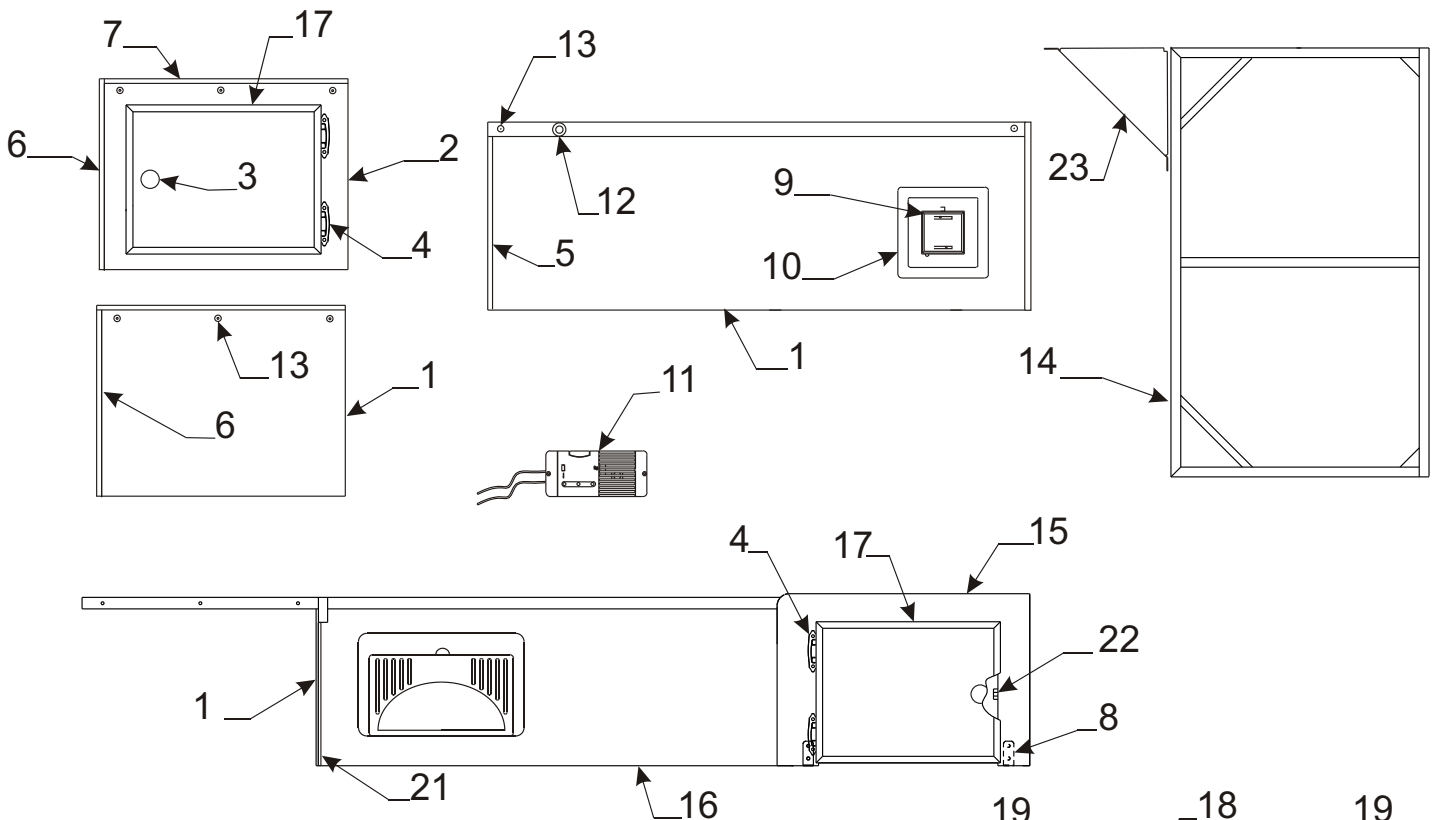
Flat Rate	Code	Part #	Description	Flat Rate	Code	Part #	Description
.25	1	4758B3931	cabinet top	.20	7	4750-3921	lid hinge x2
.30		4060450008P	t-molding pkg. (12' pc.)	.10	8	4750F389	wood filler
.35	2	4060115605P	5/32" f-channel 48" pc.	.15	9	4750D391	wood lid support rt./lt.
.40	3	4751F996	cabinet side	.15	10	4755C6911	flip-up lid prop (metal)
.15	4	4758B3061	door panel 12" x 18 1/2"	.10	11	4748C3951	door pull w/screws
.75	5	4746D2461	elec. flush cassette potty	.05	12	4744D4601	5/8" headed rivet M25
.25	6	4767B0511	flip-up lid	.10	13	4762-4878	hinge
.30		4060450008P	t-molding pkg. (12' pc.)		14	4060095603P	3/8" U-channel 48" pc.



Flat Rate	Code	Part #	Description	Flat Rate	Code	Part #	Description
.25	1	4759C4401	cabinet top 4296	.15	9	4767A4771	door panel 8 3/4" x 16 3/4"
.25		4756K8241	cabinet top 4281	.65	10	4060137505P	3/8" f-channel (48" pc.)
.25	2	4758D6151	cushion leg x2		11	Note: refer to page 23 fire extinguisher	
		4756B1591	rivet m25	.50	12	4754M1621	cabinet side 4296, 4281
.05		4752-0551	plastic cap m2	.15	13	4733-6391	latch & strike pkg.
.15	3	4767A2371	door panel 13 3/8" x 12 1/4"	.15	14	4767-3601	thumb turn lock
.15	4	4758C8491	drawer frt. 30 1/4" x 9 1/4"	1.00	15	4754L1641	bench front 4296
.10		4759E6751	drawer assy. 4296, 4281	1.00		4702A0771	bench front 4281
		Note: refer to page 20 for drawer components			16	4755L556	platform w/legs 4296
1.25	5	4767A236	hutch front 4296			4769C515	platform w/legs 4281
1.25		4754M165	hutch front 4281	.10	17	4757-8911	drawer roller guide M2
.10	6	4748C3951	door pull (includes screws)	.40	18	4752B0341	bench top w/slots 4296
.10	7	4762-4878	hinge	.40		4759-1751	bench top w/slots 4281
	8	Note: Refer to page 32 for this item					

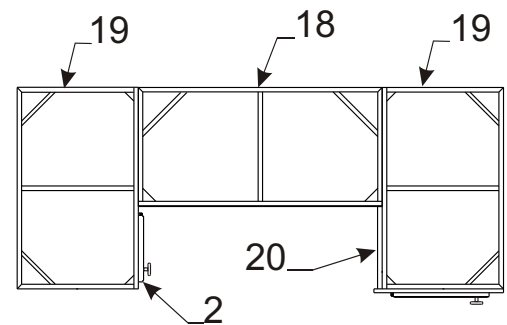
Flat Rate	Code	Part #	Description
.15	1	4758C8491	drawer front panel 30 1/4" x 9 1/4"
.10		4753N5451	drawer assy.
.15	2	4767-3601	chrome thumb turn
1.00	3	4753E8201	converter
1.00	4	4756D0011	gazoodi
.30		4060400093P	lipped t-molding (12' pc.)
.50	5	4755B8201	nylon block x2
.35	6	4755-411	glide-out seal track
.25		4064700589P	side sweep seal
.10	7	4748C3951	door pull
.75	8	4757J0201	bench front



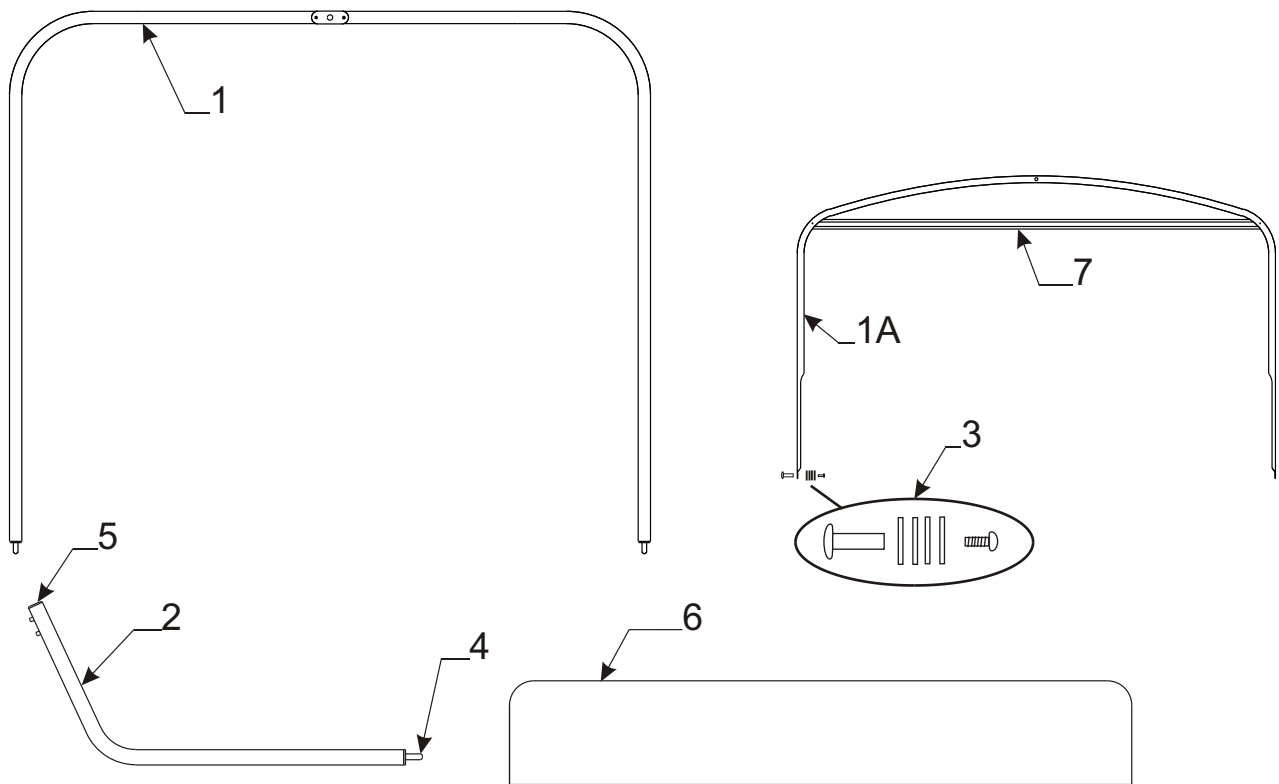


* Warranted Through Vendor

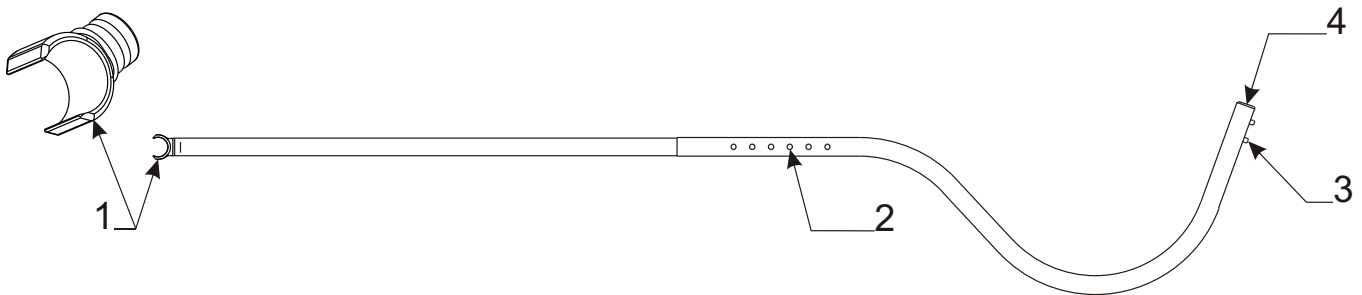
Flat Rate	Seat Bench Component Code	Part #	Description
.50	1	6010415696P	universal luan panel 48" x 48"
.15	2	4758B4041	door panel 12" x 9 1/8"
.10	3	4748C3951	door pull w/screws
.10	4	4762-4878	hinge
.15	5	4060400379P	corner molding 48" pc.
.35	6	4060115605P	5/32" f-channel 48" pc.
.50	7	4060015604P	5/32" u-channel 48" pc.
.10	8	4734A3851	L-bracket
.50	9	4752A8461	*thermostat
.20	10	4756B8811	plastic base & bracket
.25	11	4753B9171	lp gas detector
.05	12	4724-2608	stop button
		1103B1012	#10 - 3/4" screw
	13	4734K1861	rivet m25
		1202B0268	washer
	14	4759B6021	glide-out bench frame x2
		4759B6021	dinette bench frame x2 - 4289, 4296
		4759B5961	dinette bench frame x2 - 4291
.35	15	4767A2551	seat end csf bench - 4291
.75	16	4767B256	center seat front - 4291
.15	17	4758B3131	door panel 10" x 14 1/4"
.15		4758B4261	door panel 15 1/8" x 15 1/8" - 4291
	18	4754A7951	center bench frame - 4291
	19	4755B7031	cs/rs bench frame - 4291
.50	20	4752E4731	pull-out cushion support "wood"
	21	4060000031P	sponge gimp pkg. (21' pc.)
.15	22	4733-6391	latch & strike pkg.
.15	23	4757G055	outside shower cover - 4289



Front wraparound bench view
Model 4291 Sun Valley

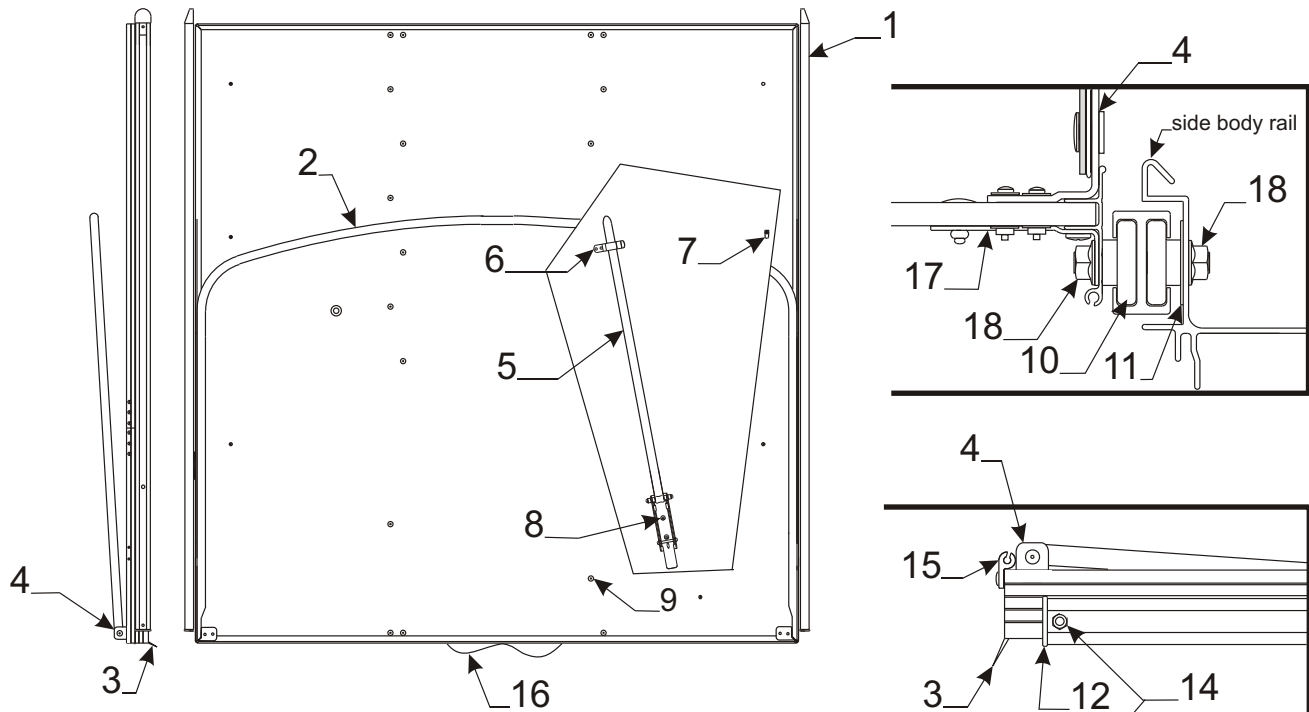


Tip-Out/Glide-Out Tent Bow - 4250, 4291, 4278, 4281			
<u>Flat Rate</u>	<u>Code</u>	<u>Part #</u>	<u>Description</u>
.10	1	4755B7101	tip-out tent bow assy. 4278 Bayside
.10		4759A5761	tip-out tent bow assy. 4291 Sun Valley
.10	1A	4756C2071	glide-out tent bow 4250, 4278, 4281
.05	2	4759B5751	tip-out tent support 4278, 4291
.05		4773B5131	glide-out tent support 4250, 4278, 4281
.10	3	4716-4451	glide-out bow mounting pkg.
.20	4	8470-1728	black pin m10
.10	5	4752A0561	tube closure "black" m2
.10	6	4757-4281	tip-out support board 4278 Bayside
.10		4755-0971	tip-out support board 4291 Sun Valley
.40	7	4757A8021	glide-out curtain track 4250, 4278, 4281
		1203-8951	rivet m25
.10	8	4734A6708	spring assy.



Tent Support Components			
<u>Flat Rate</u>	<u>Code</u>	<u>Part #</u>	<u>Description</u>
.20	1	4757-4301	tent support clasp m10
.10	2	4734-6708	spring assy.
.10	3	4734A6708	spring assy.
.10	4	4752A0561	tube closure "black" m2

Tent Support Assemblies (Complete)	
Flat Rate .10 per Tent Support	
King Beds	Double Beds
4772B6021	4759A6891



Flat Rate .75 Bed assy. replacement

4289, 4296	4759C5861	Rear Bed Assy. "Complete"(DOUBLE)
4250, 91, 78, 81	4759C5821	Rear Bed Assy. "Complete"(KING)
4250, 78, 96, 81	4759C5831	Front Bed Assy. "Complete" (KING)
4289, 4291	4759C5841	Front Bed Assy. "Complete" (KING)

Flat Rate	Front/Rear Bed Assy. Code	Part #	Components Description
*	1	4716U4031	bed extension (x2 per bed)
Note: must cut to size if where applicable			
.25	2	4714C1901	tent bow/leg package
.25	3	4060300339P	vinyl bed seal (8' pc. pkg.)
.15	4	4720K5631	bed bow bracket m2
		4757-9241	1 1/2" plastic fender washer m4
		1203C8721	steel rivet m25 (affix bow to brkt.)
		1016B10148	machine screw x2 per brkt.
		1201B6958	wiznut x2 per brkt.
.20	5	4759A5881	rear bed leg assy. (double bed)
.20		4759A5871	rear bed leg assy. (king bed)
.20		4759B5901	frt. bed leg assy. 4250, 96, 78, 81
.20		4759A5891	frt. bed leg assy. m2 4289, 4291
.15	6	4757-4331	bed leg clip
		1203-8831	rivet m25 (rivet clip to bed)
.15	7	4720E4021	lashing hook m6
		1203-8741	rivet m25 (rivet hook to bed)
.20	8	4757-4471	slotted support plate 7 1/2"
.20		4714-4521	mounting screws (pkg. of 3 each)
	9	1203C8721	rivet m25
.50	10	4754-8101	bed roller, nut, bolt, & washer pkg.
	11	1202B2908	washer
.15	12	4754-8631	bed slide end cap
.15	13	4754-4821	bed slide wedge
.20	14	1034B16128	flat head screw
		1201B6378	lock nut
.50	15	4758-8301	bed end retainer track & rivets
.20	16	4758-9481	pull-out handle strap & rivets
		4758-8001	rivet "black" m25
.20	17	4755A2591	bed brkt. w/hardware x4
	18	4739-2298	lock nut

** .50 first extension
** .25 second extension

Flat Rate .50 per cover
Flat Rate .10 Matt assy.

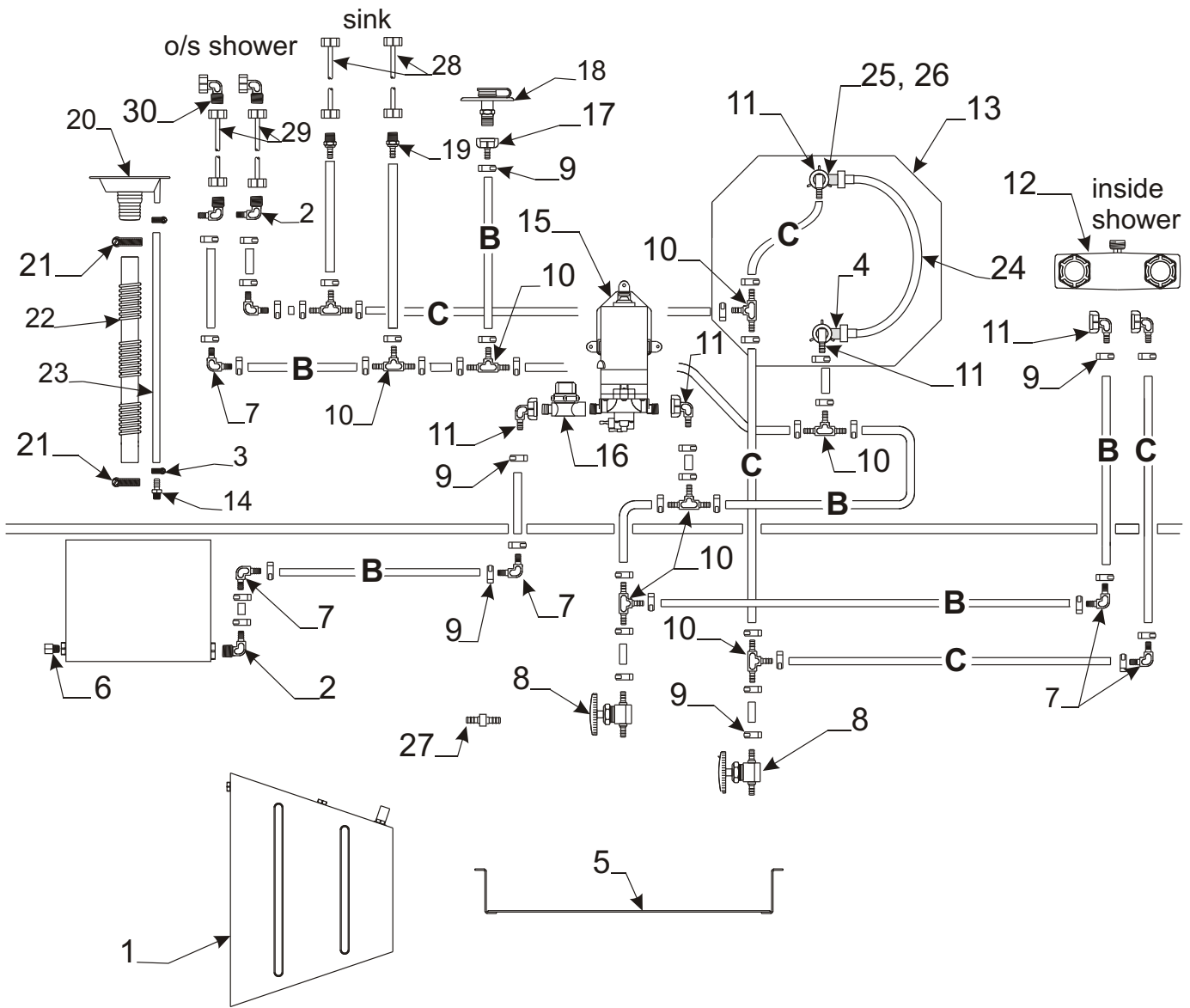
Quilted Mattress Assembly & Covers

KING Mattress Assy. - 4757L6421
KING Mattress Cover. - 4714L6421

DOUBLE Mattress Assy. - 4757M5091
DOUBLE Mattress Cover - 4716M5091

Mattress Assembly Dimensions

KING Mattress Size - 77" x 70" x 3 1/2"
DOUBLE Mattress Size - 77" x 48" x 3 1/2"



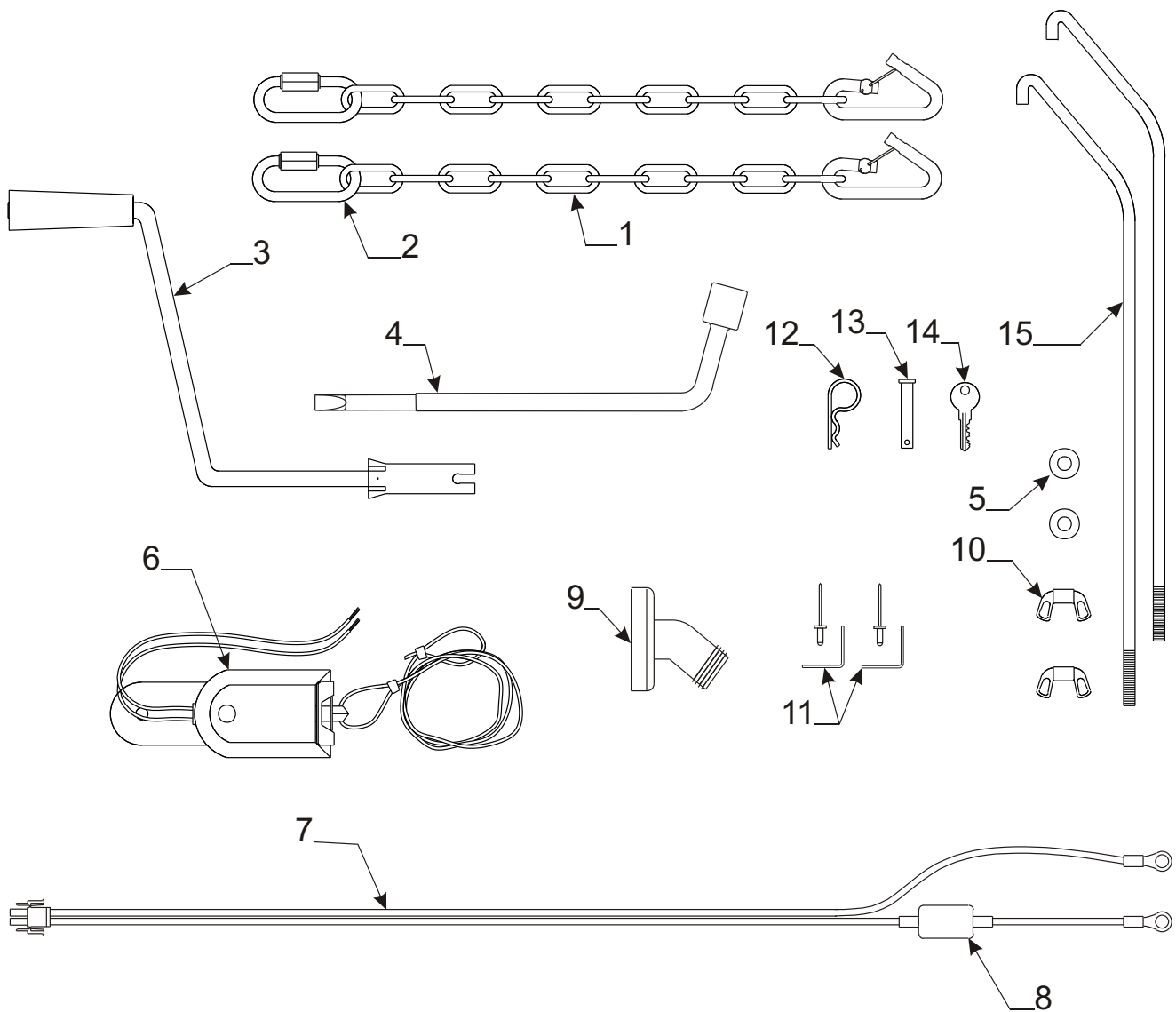
B 4066550013P 1/2" I.D. pex tubing "cold" (20' pc. pkg.)

C 4066550014P 1/2" I.D. pex tubing "hot" (20' pc. pkg.)

4060050003F 1/2" I.D. High pressure hose (sold/foot)

Flat Rate	Water System & Related Parts		FR	Code	Part #	Description
	Code	Part #				
1.50	1	4757B0471	.25	16	4747A8311	water filter
.25	2	4769-0648	.20	17	4769-0588	1/2" straight swivel adapter
.15	3	4731-3058	.30	18	4732F1521	city fill
.25	4	4767-1401	.20	19	4769-0638	1/2" b x 1/2" mpt adapter
.20	5	4758-5381	.30	20	4731D1711	fill spout
.15	6	1218-7001	.15	21	4715-4501	adjustable hose clamp
.25	7	4769-0618	.35	22	4731H1081	water fill hose (3' pc.)
.20	8	4769-0598	.20	23	4060050003F	1/2" h.p. hose (sold/ft.)
.25	9	4765-2351	.15	24	4767-1381	nylon bypass hose 8"
.25	10	4769-0608	.25	25	4767-1371	1/2" MPT brass tee
.20	11	4769-0628	.25	26	4767-1391	brass check valve
.50	12	4741B2071	.25	27	4755A4828	1/2" x 1/2" insert coupler
*	13	4750-3421	.25	28	4769-1301	48" water line assy.
.15	14	4732B4561	.25	29	4769-1291	60" water line assy.
.50	15	4741F5571	.25	30	4769-1318	swivel elbow

* Warranted By Vendor

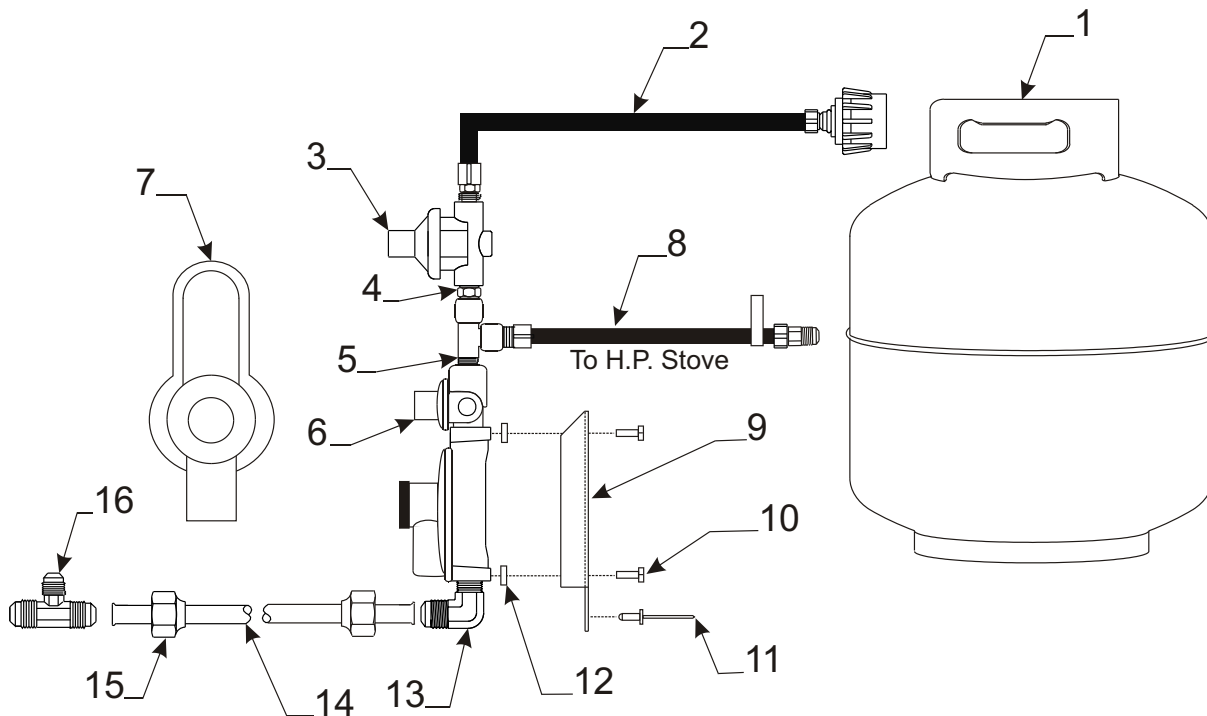


4750L6111 Parts Package (All)

Parts Package Component Parts

<u>Code</u>	<u>Part #</u>	<u>Description</u>
1	4757A3901	29" tow chain w/quick links m2
2	4757-3891	quick link (sold/signally)
3	4747G4141	crank handle
4	4749A1861	lug nut wrench
5	1202B0468	washer x2 m10
6	4746-0401	breakaway switch
7	4749B5531	battery harness w/15 amp breaker m2
8	4751-4811	15 amp circuit breaker
9	4737-9138	drain adapter
10	1201-6258	wing nut x2
11	4753E6781	battery angle pkg.
12	4732A4791	safety pin m10
13	4771-2631	hitch pin m5
14	4730B3211	key m10 # 8025 (gold plated)
	4716-7511	outside shower key m2 #Ch751
15	4733G6281	gas bottle mounting brkt. pkg.

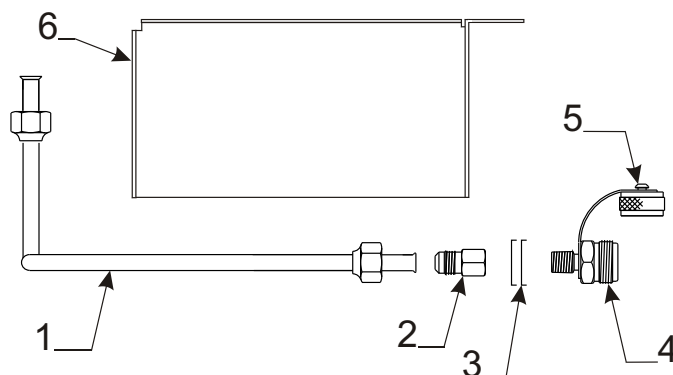
Note: pkg. includes (2) wing nuts, washers



** Serial Number Of Gas Bottle Must Be Supplied When Submitting Warranty

Flat Rate	Code	Part #	Description
.15 **	1	4720J5928	gas bottle
.05		4702-5061	vinyl bottle cover
.45	2	4733D3991	gas hose w/acme nut 21"
.45	3	4742B8041	h.p. regulator
.25	4	4755-0661	1/4" hex nipple
.50	5	4739-6998	street tee
.45	6	4755A0401	regulator "low pressure"
.05	7	4734D3781	regulator cover
.45	8	4742-8081	h.p. gas hose
	9	4741F9431	regulator mounting brkt.
	10	4759-0441	mounting screw m2
	11	1203E8961	stainless steel rivet m25
	12	0322A3301	brass spacer m2
	13	4753-8981	brass elbow 3/8" x 3/8"
.25	14	1/2" or 3/8"	copper gas line purchase locally
	15	1215-2438	1/2" flare nut
.15		1215-2418	3/8" flare nut
.15	16	1215-1771	brass tee 3/8" x 3/8" x 3/8"
.15		1215-1781	brass tee 1/2" x 3/8" x 3/8"

Flat Rate	Code	Part #	Description
.50	1	3/8" copper gas line	purchase locally
.15		1215-2418	3/8" flare nut
.40	2	4742-8061	female coupling
.40	3	1202B1068	washer x2
.40	4	4739-6978	cylinder adapter
.40	5	4742-8071	brass cap & strap
.50	6	4765-8661	gas line protector



Dinette Area Cushion/Backrest Assemblies & Covers - 2008 Americana Series Flat Rate .10 Assembly - .25 Cover

Model	Cushion Assy.	Cushion Cover	Model	Backrest Assembly	Backrest Cover
4289,96,50,78,81	4754N5241	4714N5241	4289, 4296	4754N5231	4714N5231
4291	4756M5631	4714M5631	4250, 4278, 4281	4757L5591	4714L5591
			4291	4758K5741	4714K5741

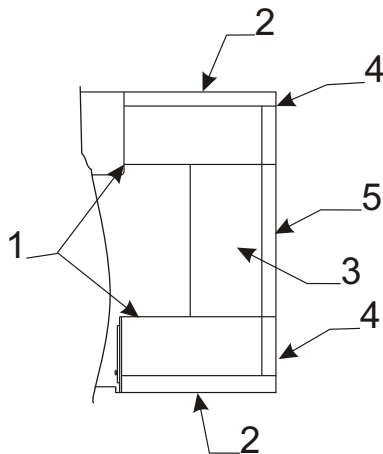
Plastic Cushion Button x2 - 4710-2681 m5

Curbside Couch Cushion & Backrest - 4196, 4181		
Model	Cushion Assy.	Cushion Cover
4296	4758H6191	4714H6191
4281	4769D5311	4714D5311

Model	Backrest Assy.	Backrest Cover
4296	4758H6201	4714H6201
4281	4769D5301	4714D5301

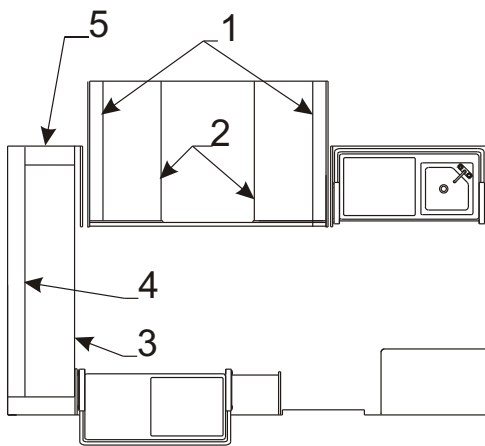
Dinette Cushion/Backrest Dimensions	
Part #	Cushion Assembly
4754N5241	43 1/4" x 19 3/8" x 4"
4756M5631	39 1/2" x 18" x 4"

Part #	Backrest Assembly
4754N5231	43 1/4" x 16 3/8" x 4"
4757L5591	42 1/4" x 15 5/8" x 4"
4758K5741	38 1/2" x 15 3/4" x 4"



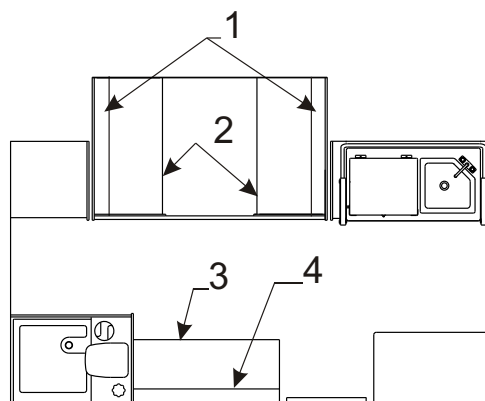
Flat Rate .10 Assembly - .25 Cover

Flat Rate	Cushion & Backrest Assy.'s - 4291 Sun Valley
Code	Part # Description
.10	1 4753P6021 cushion assy. 41" x 19 3/8"
.25	4714P6021 cushion cover
.10	2 4753N6071 backrest assy. 41 3/8" X 11 3/8"
.25	4716N6071 backrest cover
.10	3 4757A7411 cushion assy. 41 3/8" x 19"
.25	4714A7411 cushion cover
.10	4 4756M5401 backrest assy. 14" x 11 3/8"
.25	4716M5401 backrest cover
.10	5 4759J5791 backrest assy. 41 3/8" x 15 3/4"
.25	4716J5791 backrest cover



Flat Rate .10 Assembly - .25 Cover

Flat Rate	Cushion & Backrest Assy.'s - 4278 Bayside
Code	Part # Description
.10	1 4757L5591 backrest assy. 42 1/4" x 15 5/8 x 4"
.25	4714L5591 backrest cover
.10	2 4754N5241 cushion assy. 43 1/4" x 19 3/8" x 4"
.25	4714N5241 cushion cover
.10	3 4757J6591 cushion assy. 80 1/4" x 21 1/4" x 4"
.25	4714J6591 cushion cover
.10	4 4757J6581 backrest assy. 72 1/4" x 14" x 5"
.25	4714J6581 backrest cover
.10	5 4755C7091 arm rest 21 1/4" x 14" x 5"
.25	4714C7091 arm rest cover



Flat Rate .10 Assembly - .25 Cover

Flat Rate	Cushion & Backrest Assy.'s 4250 Williamsburg
Code	Part # Description
.10	1 4757L5591 backrest assy. 42 1/4" x 15 5/8 x 4"
.25	4714L5591 backrest cover
.10	2 4754N5241 cushion assy. 43 1/4" x 19 3/8" x 4"
.25	4714N5241 cushion cover
.10	3 4757J6761 cushion assy. 49 3/16" x 25" x 4"
.25	4714J6761 cushion cover
.10	4 4757J6771 backrest assy. 47" x 14" x 5"
.25	4714J6771 backrest cover

Flat Rate	Sunbrella Tenting & Components		
	Code	Part #	Description
.50	1	4768C5181	king tent boot
.50	2	4768C5171	double tent boot
.20	3	4759F5241	large window 4289 Santa Fe, 4296 Cheyenne
.20		4759F5721	large window "w/tip-out" 4291 Sun Valley
.40		4756L6751	large window "w/glide-out" 4250, 4278, 4281
.20	4	4759F5251	small window 4289 Santa Fe
.20		4754B7821	small window 4296 Cheyenne
.20		4756H6761	small window 4250 Williamsburg, 4281 Utah
.20		4758F6771	small window 4291 Sun Valley
.20		4757M5871	small window "w/tipout" 4278 Bayside
.15	5	4759G5261	door seal 4289 Santa Fe
.15		4754B7811	door seal 4296 Cheyenne
.15		4756J6771	door seal 4250 Williamsburg, 4278 Bayside, 4281 Utah
.15		4758F6861	door seal 4291 Sun Valley
	6	8118501430P	top vinyl pkg. (85" x 3 yards)
	7	4716C0851	sunbrella patch package (12" x 14")
	8	6650500131F	zipper (sold/yard) used around window
		1225A4461	zipper pull m5
	9	8118001439P	bottom vinyl facing pkg. "blue" (3 yd. x 80")
	10	4714E1611	screen package (84" x 3 yards)
		4714A0361	screen package (84" x 13 yards)
	11	4350000009P	1" velcro hook (10' pc. Pkg.)
	12	4716A2401	clear window vinyl (42 1/2" x 3 yards)
	13	1225-3678	47 1/2" side zipper pin half
		1225-3688	47 1/2" side zipper slider half
.50	14	4060000245CP	shock cord (150' package)
.50		4714C6021	shock cord & hooks m2 (two 14' lengths)
.15		4724A2011	shock cord termination (plastic hook) m10
	15	4060000024F	arrowhead seal (sold/foot)
.30	16	4735D6721	extension harness
.50	17	4743-1588	k-kote seam sealer
	18	4728-5641	tent retainer pkg.
.30	19	4710-1001	vinyl daubing "white" m2
.30		4710-1011	vinyl daubing "grey"
.30		4710A1021	vinyl daubing "blue" m2

Drape Package (Less Valance Pkg.) Flat Rate .30

Note: Package includes privacy curtains

Model	Drape Pkg.	# Of Panels
4289 Santa Fe	4754P5711	9
4296 Cheyenne	4754N5501	9
4291 Sun Valley	4755N6181	11
4278 Bayside	4755N2981	13
4250, 4281	4757M5531	13

Drape Tab C-Shape m60 - 4750-2891 Flat Rate - .05

Privacy Curtain Pkgs. (Set of 2 Panels)

.15 4713A2981 - (all models)

Single Drape Panel w/Safety Straps

.15	4713A1481	Single Drape Panel 48 1/2" x 47"
.15	4713A1431	Single Drape Panel 43" x 47"
.15	4713A1351	Single Drape Panel 35" x 47"
.15	4713A1261	Single Drape Panel 26" x 47"
.15	4713A1221	Single Drape Panel 21 1/2" x 47"

Tip-out valance - 4757G4951 - 4291, 4278

Flat Rate - .20

Drape Tie Package (Qty. 1) - 4767A8371 (all)

Flat Rate - .05

Dressing Room Curtain - Flat rate - .20

4756L6331 - 4250 Williamsburg

Shower Curtain "Vinyl" 4757-7301 - 4250 Williamsburg

Flat Rate - .20 4748-8161 shower curtain clip m10

Valance Package - Flat Rate - .25

4768F6181 - 4289 Santa Fe

4768F6171 - 4296 Cheyenne

4755C7481 - 4291 Sun Valley

4757B7041 - 4278 Bayside, 4281 Utah, 4250 Williamsburg

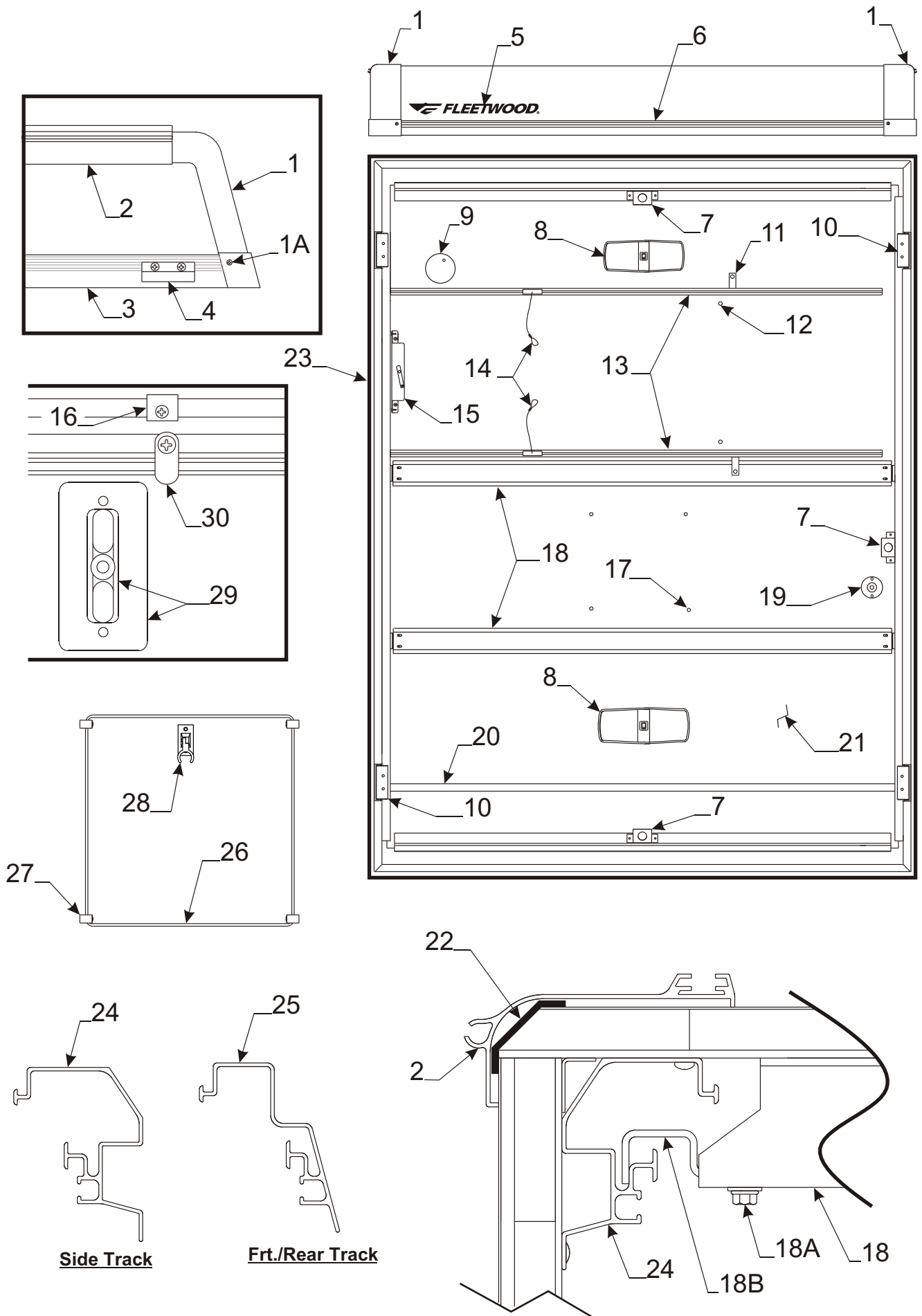
Glide-Out Curtain & Valance - Flat Rate - .20

4714N5531 - 4250, 4278, 4281

Potty Curtain Pkg. 4289, 4278, 4281 - 4756L8401

(Factory Installed CSF Potty Cab.)

Flat Rate - .20



4768E5021 Top Assembly 4289 Santa Fe
 4768E5031 Top Assembly 4296 Cheyenne
 4768E5061 Top Assembly 4291 Sun Valley
 4768C5251 Top Assembly 4250 Williamsburg
 4768F5221 Top Assembly 4278 Bayside
 4755B7491 Top Assembly 4281 Utah

3.00 Top Replacement | 1.50 For A/C | 1.00 For Crossbars | .50 For Disposal

FR	Code	Part #	Description
.50	1	4713-9011	plastic corner cap csf/rsr (1 cap per pkg.)
.50		4713-9001	plastic corner cap rsf/csr (1 cap per pkg.)
		4356500043P	butyl tape 1" x 3/16" (20' pc.)
		4350000022F	foam tape 1/2" wide x 1/4" thick (sold/foot)
		4759-1401	flat head screw 3/4" "stainless steel" x2, M12
	1A	4767-9001	flat head tek screw 3/4" "white" x2, M12
	2	4767A909	canopy/rack track extrusion 4250, 4291, 4281, 4278
		4767A937	canopy/rack track extrusion 4289, 4296
	3	4767A913	side seal extrusion 4250, 4291, 4281, 4278
		4767A934	side seal extrusion 4289, 4296
.15	4	4769-2541	top strike csf (used x1)
.15		4750A9581	top strike m2 (used x3)
		4744C2461	torx head screw "painted" m2
		1201B6958	nut (x2 per strike)
		4702-2961	strike foam gasket m4
.25	5	4761-1958	Fleetwood logo
	6	4767-9141	end seal extrusion frt./rear (all)
.15	7	4767A9081	tent support bracket x2
		4733F41361	screw m12
.15	8	4744E4741	double light
.10		4758-1361	dome light lens
		1103B1028	screw x4
.15	9	4767A4641	carbon monoxide detector
.25	10	4767-7001	lift pocket x4
		1201B6378	lock nut 1/4-20
.15	11	4723A5061	strap x2
	12	4730A3548	stud w/screw x2
.30	13	4733H47181	screen door track x2
		4744B4611	expansion rivet m25
.15	14	4734D5211	screen door cable m6
.20	15	4749C5571	screen door bracket
		4747-2558	expansion rivet m25
		4749-2138	snap button m2
		1203-8631	rivet m25
.05	16	4750-2891	drape tab c-shape m60
	17	1203-9258	plastic accordion rivet m25
	18	4800-4811	a/c brace
	18A	4738A0898	hex bolt
		1202E0408	washer
	18B	4800-6861	a/c brace mounting bracket x2
.15	19	4756A8291	aux. light jack w/rivets
.20	20	4350400004F	vinyl seam tape (sold/foot)
	21	6009435020P	ceiling panel 4' x 8' sheet
	22	4350000047	1/8" x 2 1/2" eterna-bond tape (sold/roll)
.50	23	4060100399P	rubber top seal "sides" (40' package)
.50		4060100398P	rubber top seal "frt./ rear" (16' package)
	24	4767-911	side tent/drape track (must cut to size)
	25	4767-910	frt./rear tent/trape track (all)
.10	26	4755A5231	shower curtain rod
.20	27	4755-5211	shower rod strap x4
.15	28	4767-0111	shower head brkt.
.15	29	4743A2501	screen door latch & plate assy. (2 per pkg.)
.20	30	4728A5641	tent retaining pkg.