



**2007**

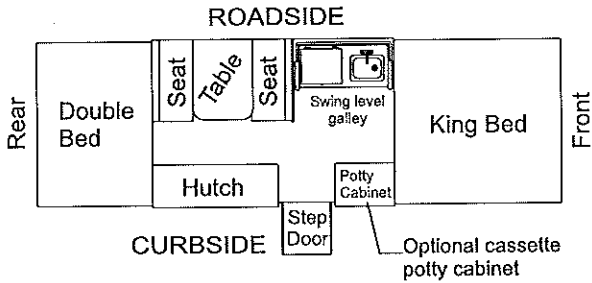
## **Americana Series**

### **Repair Parts Catalog**

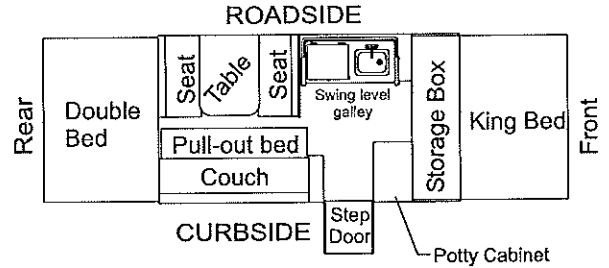
- 4189 Santa Fe 10'
- 4196 Cheyenne 10'
- 4150 Williamsburg 12'
- 4191 Sun Valley 12'
- 4178 Bayside 12'
- 4181 Utah 12'

# 2007 AMERICANA SERIES

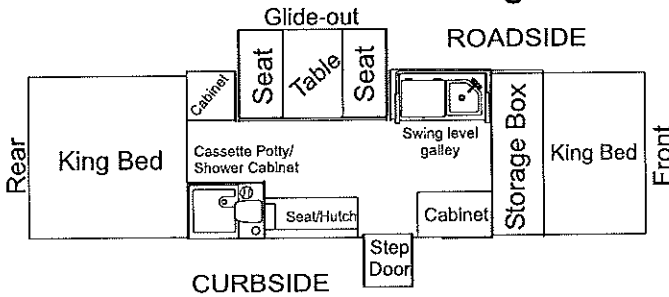
**4189 Santa Fe 10'**



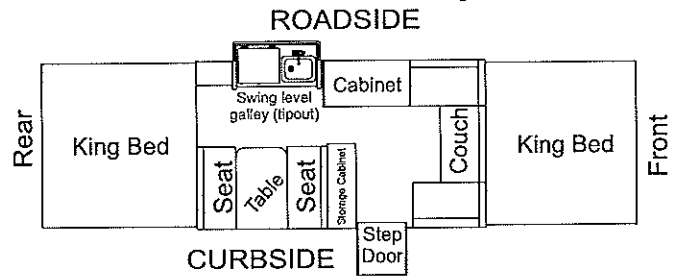
**4196 Cheyenne 10'**



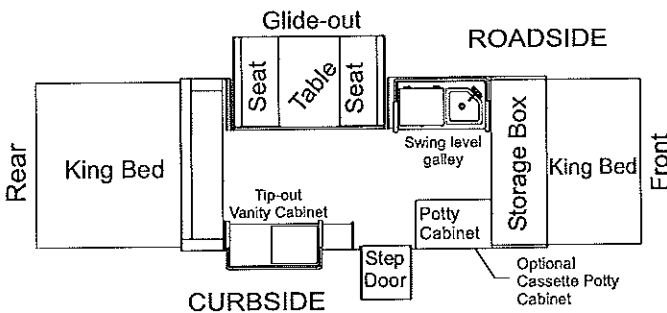
**4150 Williamsburg 12'**



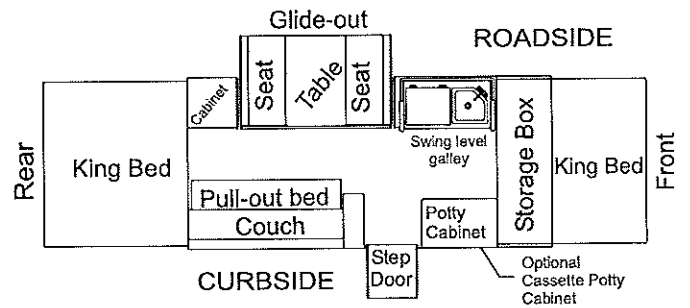
**4191 Sun Valley 12'**



**4178 Bayside 12'**



**4181 Utah 12'**

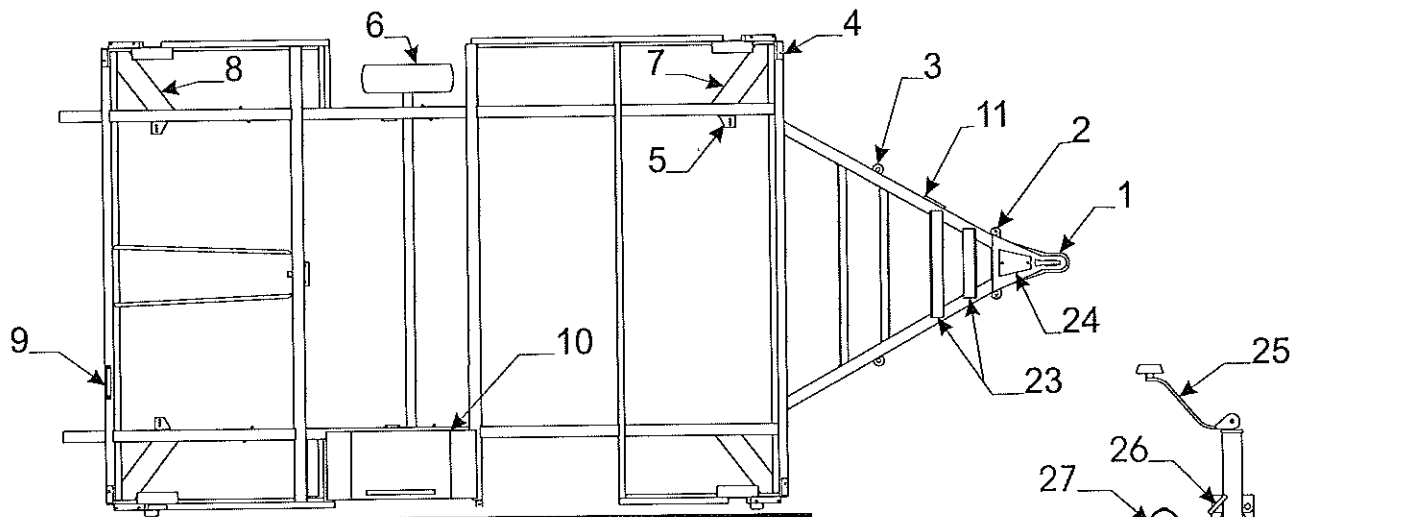


## TABLE OF CONTENTS

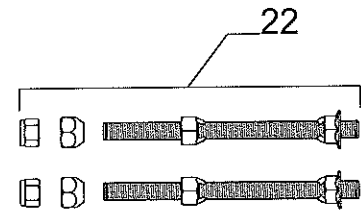
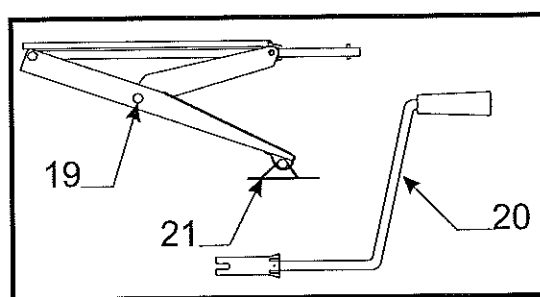
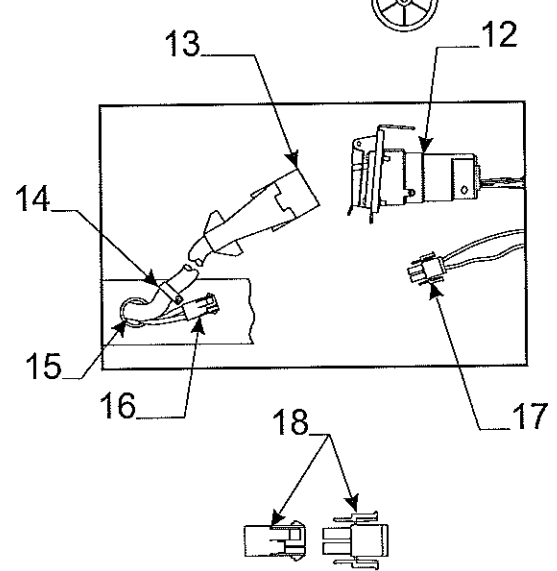
<u>DESCRIPTION</u>	<u>PAGE</u>
Access door key .....	28
Access door assembly & related parts .....	9
Auto extension .....	13
Axle assemblies & related parts .....	3
Backrest assemblies & covers .....	30
Bed assemblies.....	26
Bed extensions & related parts .....	26
Body panel right rear (curbside) .....	8
Body panel left side (roadside) .....	10
Body panel left side glide-out (roadside) .....	10
Body panel front & rear (plastic) .....	7
Body panel right front (curbside) .....	9
Body panel frt. (storage box units) .....	6
Bumper & related parts .....	7
Cabinet assembly (csf corner cabinets) .....	21
Cabinet assy. "rsr corner cab." - <b>4150, 4181</b> .....	19
Cabinet/potty assy. csf - <b>4189, 4178, 4181</b> .....	22
Caulking .....	13
Converter & related parts .....	20
Corner bulkhead assembly .....	2
Coupler assembly .....	2
Crank components (upper crank) .....	5
Crank handle .....	28
Cushion assemblies & covers .....	30
Door bulkheads .....	8
Drain assy./drain hose (used on sinks) .....	12
Drape packages & related parts .....	31
Drawer assembly components .....	20
Electric brakes & related parts .....	3
Fire extinguisher & components .....	22
Floor covering .....	2
Frame assembly & related parts .....	2
Gas detector .....	20
Gas hose (gas bottle hook-up) .....	29
Gas hose (RVQ grill) .....	29
Gas bottle mounting brackets .....	28
Gas quick disconnect (outside stove/grill) .....	29
Gas bottle cover (black vinyl) .....	29
Gas bottle & related parts .....	29
Glide-out components .....	11
Glide-out tent bow & support .....	25
Grease cap (EZ lube cap) .....	3
Hub assembly & related parts .....	3
Hutch assembly roadside - <b>Sun Valley</b> .....	19
Hutch assembly csr - <b>Santa Fe</b> .....	22
Hutch/Seat assy. csr - <b>Cheyenne, Utah</b> .....	23
Hutch assy. dr.way lt. - <b>Sun Valley</b> .....	21
Lift assemblies & related parts .....	4
Lift trim & miter covers .....	8, 9
Lower galley assy. - <b>4189, 96, 50, 78, 81</b> .....	14
Lower galley components - <b>Sun Valley</b> .....	15
Lower cs vanity cabinet components - <b>Bayside</b> .....	16
Lug wrench .....	28
Mattress assemblies & covers .....	26
Outside shower assy. ....	10
Paint (spray & quart can) .....	13
Paneling & trim .....	13
Parts package & components .....	28
Pigtail (car end) .....	2
Potty cabinet curbside frt. - <b>4189, 4178, 4181</b> ....	22
Potty "cassette" .....	18, 22

<u>DESCRIPTION</u>	<u>PAGE</u>
Potty curtain - <b>4189, 4178, 4181</b> .....	31
Potty hatch door - <b>4189, 4178, 4181</b> .....	8
Power cord (converter) .....	20
Power lift components .....	5
Receptacle (exterior) .....	8
Receptacle (interior) .....	20
Refrigerator vents .....	10
Regulator & fittings .....	29
Safety chains .....	28
Screen door & related parts .....	17
Seat bench component parts .....	24
Seat bench "rear center" - <b>Bayside</b> .....	23
Shower curtain <b>Williamsburg</b> .....	31
Shower curtain rod - <b>Williamsburg</b> .....	33
Shower stall w/potty - <b>Williamsburg</b> .....	18
Shower head & hose (Inside shower) .....	18
Shower (Outside shower assy.) .....	10
Sink & related parts .....	12
Spare tire cover (black vinyl) .....	2
Spare tire mount package .....	2
Stabilizer assembly .....	2
Stabilizer handle/lug wrench combo .....	28
Storage box components .....	6
Stove components (upper galley) .....	12
Table assemblies & related parts .....	13
Taillights (rear body panel) .....	7
Tent support assemblies & related parts .....	25
Tenting & related parts (sunbrella) .....	31
Thermostat (Hydro Flame) .....	24
Thrust bearing .....	4
Tie backs (curtains) .....	31
Tip-out/Glide-out tent bow & support .....	25
Tire & rim .....	2
Tire cover "black vinyl" .....	2
Tongue jack & related parts .....	2
Top assemblies & related parts .....	33
Trim tape kits .....	7,8,9,10
Upper crank assy. & components .....	5
Upper galley compts - <b>4189, 96, 50, 78, 81</b> .....	14
Upper galley components - <b>Sun Valley</b> .....	15
Upper cs vanity cab. components - <b>Bayside</b> .....	16
Valance package .....	31
Water heater .....	27
Water faucet .....	14, 15
Water system & related parts .....	27
Wheel well .....	2
Whiffletree & related parts .....	4
Zippers (tenting assemblies) .....	31

Axle/Brakes - Dexter .....	574/295-7888
Cassette Potty - Theftford .....	800/354-4135
Converter - World Friendship Co. ....	800/900-2468
Furnace - Hydro Flame #7916-11 .....	800/546-8759
Hand pump - Leisure Components.....	562/865-0401
Power Lift - Barker .....	888/367-6978
Refrigerator - Dometic .....	800/216-5115
Oven/Range - Atwood Greenbrier .....	800/646-8557
Stove/Grill - Vitco .....	877/825-8528
Tires - Kenda .....	800/225-4714
Water heater - Suburban #5031E .....	423/775-2131
Yakima bike rack - to obtain repair parts .	800/925-4621



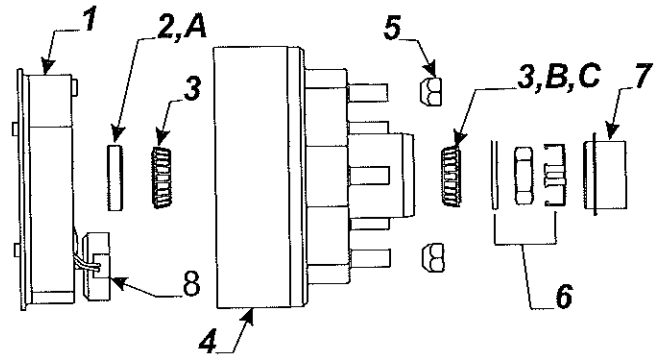
Flat Rate	Code	Part #	Description
1.50	1	4772-4231	coupler assembly
.75	2	4748-6611	chain bar w/pins
.75		4720A3561	chain bar w/o pins
.50	3	4758-0381	bed leg pin & washer
.10		4747-8941	pin cover m2 (plastic)
2.00	4	4758D6731	corner bulkhead csf/rsr
2.00		4758C6691	corner bulkhead rsf/csr
		1203C8751	rivet m25 (rivet bulkhead to frame)
.75	5	4732E3671	adjustable pulley brkt. x4
.25		4715A5371	pulley & bearing m10
		4720C1578	short pin m4
		1204B1081	cotter pin m10
.25	6	4772-3598	mag tire & rim 13" ld "D"
		4753E8168	spare tire & rim 13" ld "D"
		4716E8168	13" LR "D" tire only Kenda
		4723G3161	13" tire cover "black vinyl"
.05		4772-3601	chrome lug nuts m5
.25		4772-4141	star mag center cover
	7	4755B6641	stabilizer plate csf/rsr
	8	4755B6651	stabilizer plate rsf/csr
1.00	9	4754F5101	spare tire support "rear"
2.00	10	4759-0931	wheel well assy. 4189
2.00		4759-0791	wheel well assy. (all except 4189)
.75	11	4720B3331	jack bracket (welded to tongue)
	12	4746A5591	pigtail - "car end"
	13	4716-5871	wire harness repair kit (8' section)
	14	1201-8738	3/8" clamp
		1203C8721	steel rivet m25
	15	4742-8108	1 1/4" snap bushing
	16	4716A5001	12 volt power harness
.15	17	4749B5531	12v harness w/15 amp breaker m2
.15		4768-6291	12v harness w/40 amp breaker
	18	4716A4701	12 volt cap & plug m2
.25	19	4751B3351	stabilizer assy. (screw down)
		4751-8208	tapping screw (3 per stab.)
	20	4747G4141	crank handle
.10	21	4755A6841	sand shoe (pkg. of 4)
.25	22	4741B5791	spare tire mount kit (all)
*	23	4716A1751	battery angle pkg. (non box models)
		4716A7151	battery angle pkg. (box models)
.10	24	4767A873	coupler hole cover plate
.15	25	4720C6661	tongue jack assy
.15		4716-1951	jack handle kit
.15	26	4716-1981	locking plunger kit
.10	27	4720A3341	snap ring m2
.25	28	4716-1971	jack wheel nut & bolt



\* 6610007209P floor covering pkg. (7 1/2' x 14')  
 \* Prior Authorization Needed From Factory

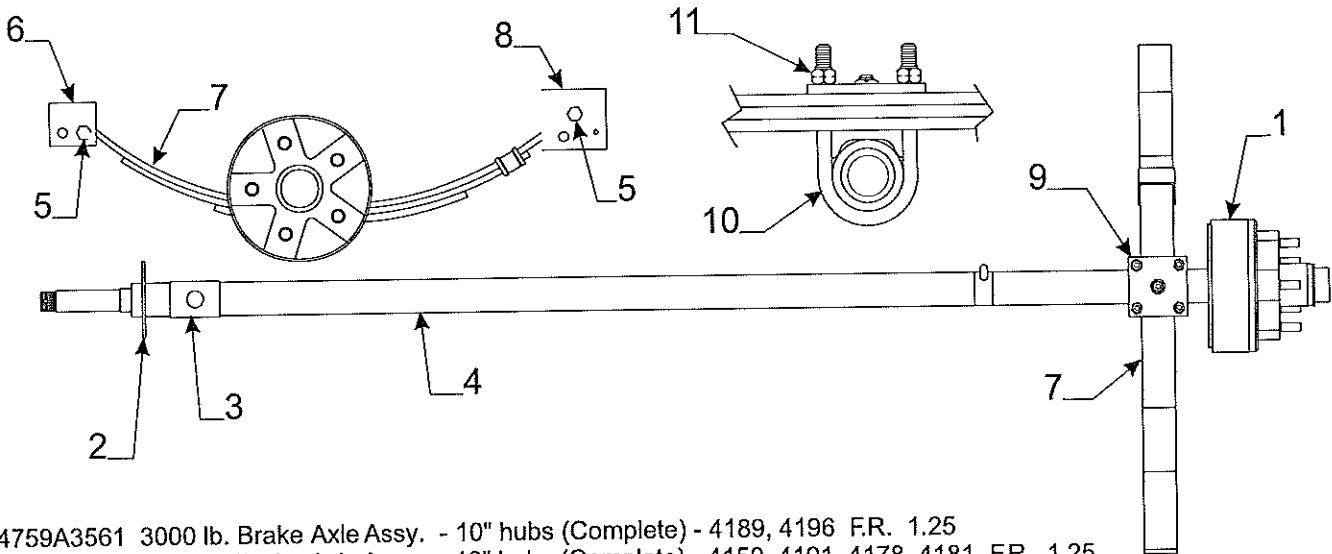
Flat Rate .50 Per Side  
Electric Brake Pkg. 10" x 2 1/4" (4714J2011)

Flat Rate	Code	Part #	Description
.50	1	4716-6251	10" brake assembly (right hand)
.50		4716-6261	10" brake assembly (left hand)
.50	2	4716A1441	10" grease seal (2 per pack)
.50	3	4716A1451	10" bearing, race & seal pkg.
.30	4	4716-1431	10" hub & drum x2
.05	5	4747A9528	lug nuts x5
.10	6	4714A3061	retainer package
.05	7	4714C0621	EZ lube grease cap m4
	8	4716-2881	10" magnet, spring & clip pkg.



**Crossover Numbers To Purchase Locally**

- A** K71-303-00 Grease Seal
- B** L44649 Bearing "outer"  
L68149 Bearing "inner"
- C** L44610 Race "outer"  
L68111 Race "inner"



4759A3561 3000 lb. Brake Axle Assy. - 10" hubs (Complete) - 4189, 4196 F.R. 1.25  
4702-0791 3500 lb. Brake Axle Assy. - 10" hubs (Complete) - 4150, 4191, 4178, 4181 F.R. 1.25

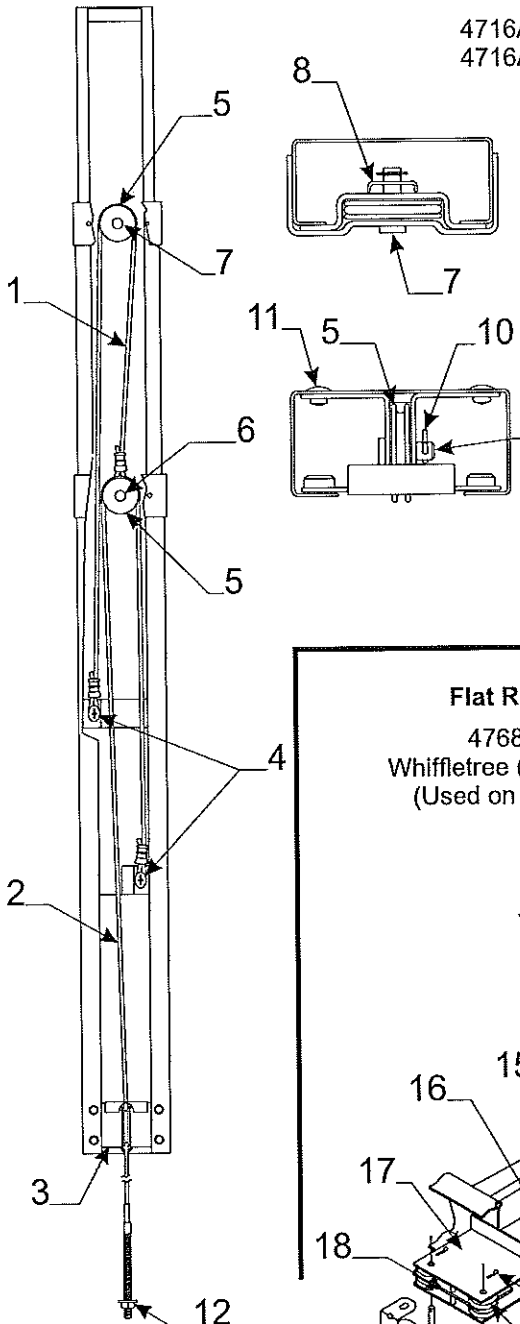
NOTE: limited parts stocked for Dexter Axles, for required part (s) phone - 219/295-1900

Flat Rate	Code	Part #	Description	Flat Rate	Code	Part #	Description	
	1	Note: refer above for hub & components			.75	7	4735G22081	leaf spring (3 ply) 3000 lb. axle
*	2	4741A8471	brake plate 3000 lb. axle	.75		4735H22081	leaf spring (4 ply) 3500 lb. axle	
*	3	4741-8461	spring pad channel m2	2.00	8	4741C3398	spring shackle (front)	
1.00	4	4716F6251	axle beam 3000 lb. axle	.50	9	4741-8458	u-bolt plate 3000 lb. axle	
.25	5	4737A1318	shackle bolt	.25	10	4741A8438	u-bolt 3000 lb. axle	
		4741-9498	shackle bolt nut		11	4741-9358	u-bolt nut 3000 lb. axle	
2.00	6	4741A3398	spring shackle (rear)					

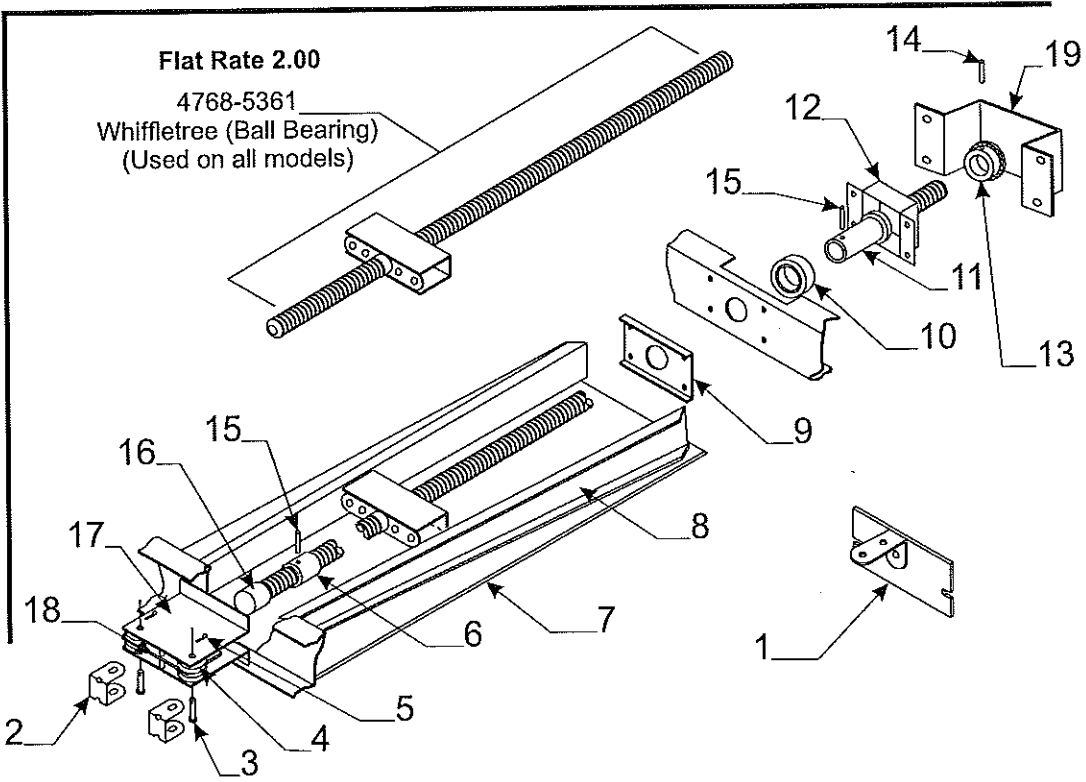
\* PRIOR AUTHORIZATION NEEDED FROM FACTORY

**Flat Rate 1.25 Per Lift Assembly**

4716A0031 lift assembly roadside rear/curbside front (all)  
 4716A0041 lift assembly roadside front/curbside rear (all)



Flat Rate	Lift Assembly Code	Component Part #	Description
.75	1	4720D5271	cable assembly x1 m2
		4720C1691	cable crimp m20
1.25	2	4773-2291	225 3/4" long cable & crimp
		4744-1318	copper cable crimp m10
1.25	3	4731C5801	butterfly bracket assy.
.05	4	4749-2081	screw m6
.50	5	4715A5371	steel pulley & bearing m10
.25	6	4747-8931	long pin x2
		4730B0981	retaining ring m12
.25	7	4749-4061	short pin m4
		4730B0981	retaining ring m12
.25	8	4749A2028	retaining clip
.45	9	4720C1578	lift pin m4
	10	1204B1081	cotter pin m10
	11	1203-8641	rivet m25
	12	1201B6378	1/4" lock nut



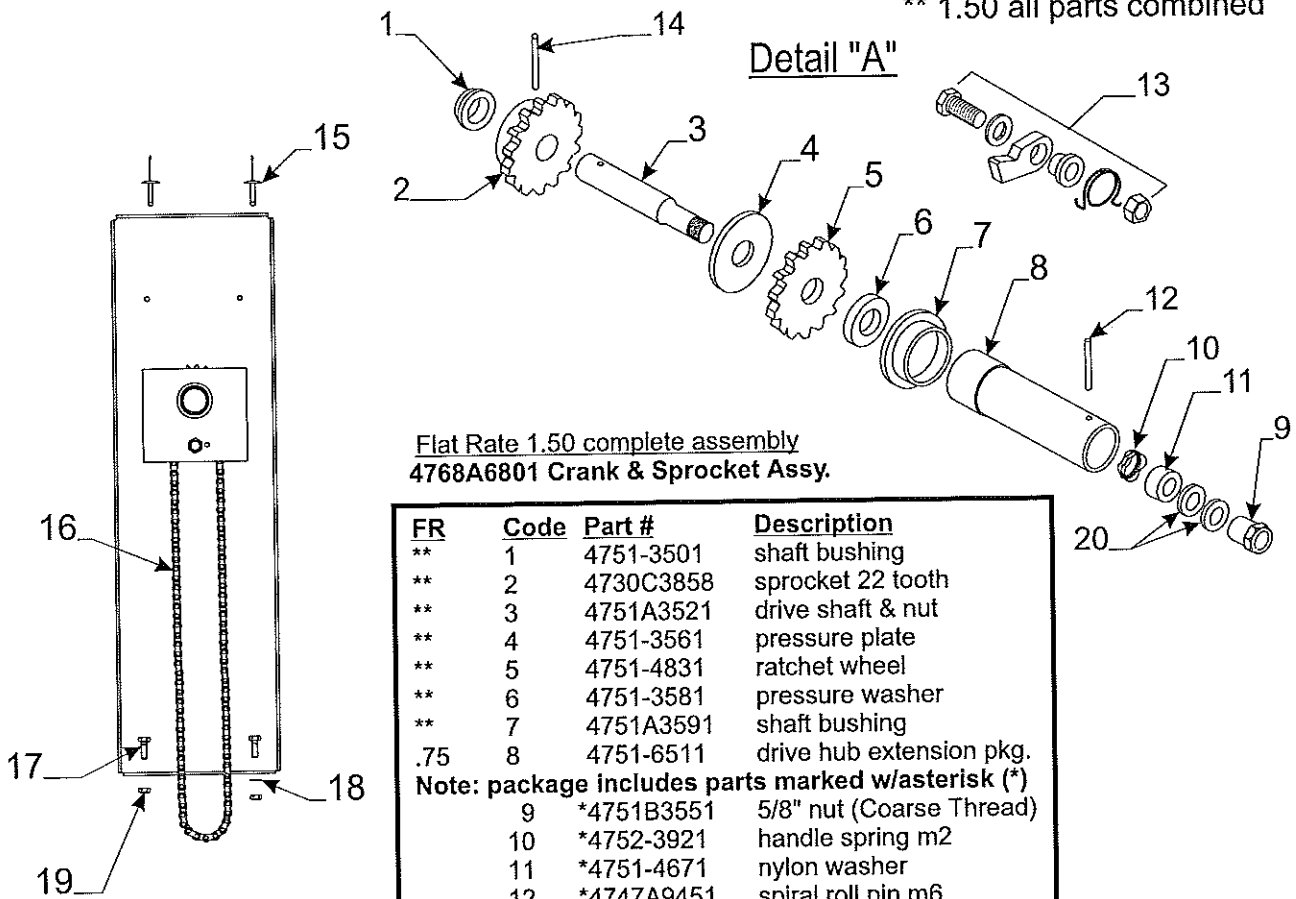
**Flat Rate 2.00**

4768-5361  
 Whiffletree (Ball Bearing)  
 (Used on all models)

Flat Rate	Whiffletree & Related Parts Code	Part #	Description	Flat Rate	Code	Part #	Description
.15	1	4749A821	mud flap & brkt.	1.50	10	4720B2421	thrust nut bearing
.50	2	4744B1741	cable retainer x2	1.50	11	4720B2388	thrust nut
.20	3	4720J1561	long pin m4	1.50	12	4720B2408	bearing housing
.50	4	4715A5371	pulley & bearing m10	1.00	13	4730C3848	sprocket 12 tooth
.10	5	1204B1081	cotter pin m10		14	4720D1481	roll pin m10
1.60	6	4710B4248	bushing	1.00	15	4744A1301	shear pin m10
.25	7	4752B4921	whiffletree pan cover	2.00	16	4730D1291	screw socket (welded)
.25	8	4720F237	pan cover side (welded)	2.00	17	4720-1551	pulley plate
	9	4720C2418	plate	.50	18	4715D5661	pulley spacer
					19	4758A0481	chain cover

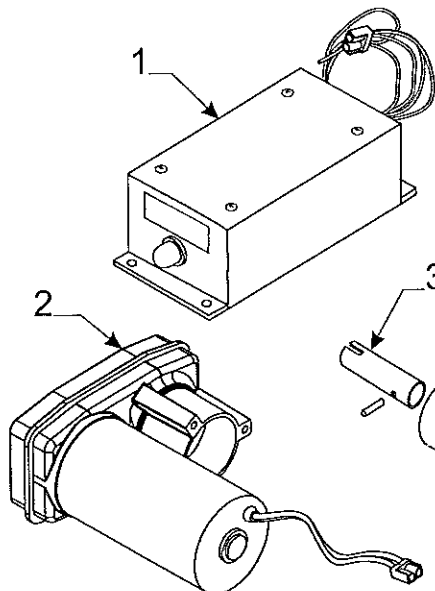
\*\* 1.50 all parts combined

**Detail "A"**

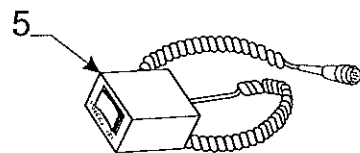


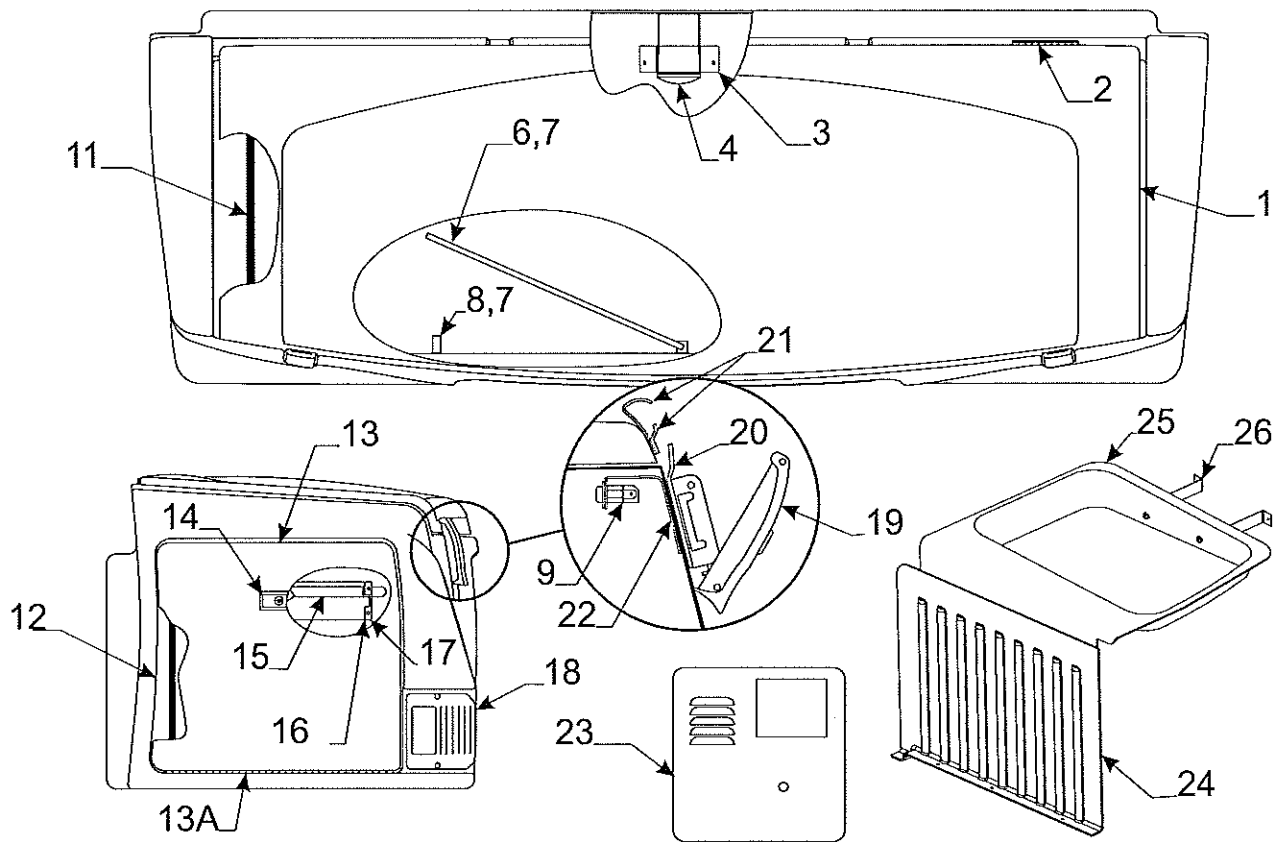
Flat Rate 1.50 complete assembly  
4768A6801 Crank & Sprocket Assy.

FR	Code	Part #	Description
**	1	4751-3501	shaft bushing
**	2	4730C3858	sprocket 22 tooth
**	3	4751A3521	drive shaft & nut
**	4	4751-3561	pressure plate
**	5	4751-4831	ratchet wheel
**	6	4751-3581	pressure washer
**	7	4751A3591	shaft bushing
.75	8	4751-6511	drive hub extension pkg.
<b>Note: package includes parts marked w/asterisk (*)</b>			
	9	*4751B3551	5/8" nut (Coarse Thread)
	10	*4752-3921	handle spring m2
	11	*4751-4671	nylon washer
	12	*4747A9451	spiral roll pin m6
.60	13	4716-1221	ratchet pawl package
	14	4759-0621	1 1/2" shear pin m10
	15	1203C8721	rivet m25
1.50	16	4759-8031	chain (w/connecting link)
		4730A3811	connecting link
	17	4731-3878	hex head bolt x2
	18	1202B0438	washer
	19	1201B6038	hex head nut
**	20	*4757-3938	washer



Flat Rate	Code	Part #	Description
.25	1	4768-0681	current limiter w/black twist lock jack
.25		4768A0681	current limiter w/silver push lock jack
1.50	2	4767-6461	power head motor
1.50	3	4768-0661	4" adapter and pin
1.50	4	4768-0671	mounting weldment
.05	5	4768-0691	hand controller w/black twist lock plug
.05		4768A0691	hand controller w/silver push lock plug



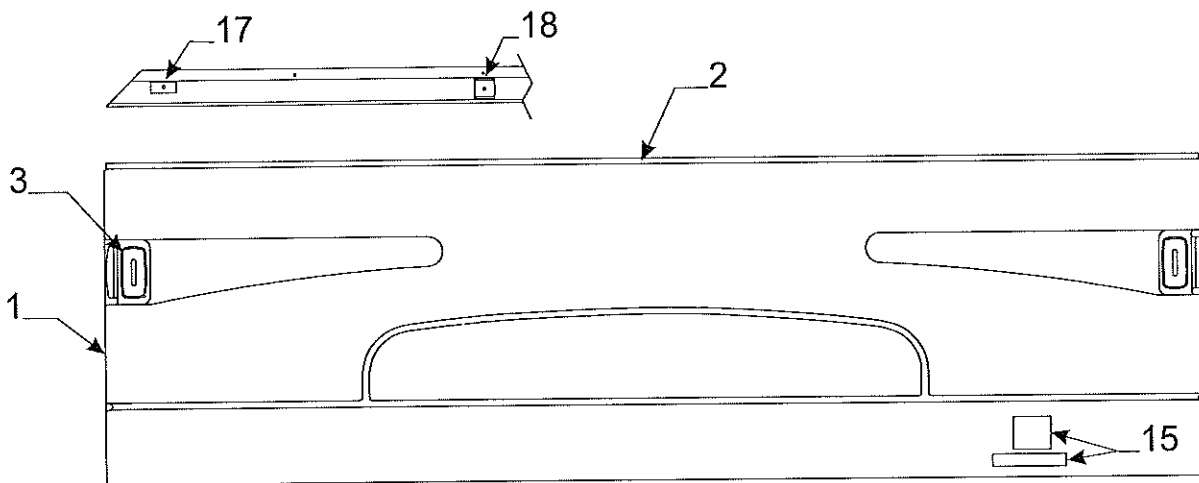


Front Storage Box Assy. - 4196, 4150, 4178, 4181

1.25 box replacement, add .75 for water heater

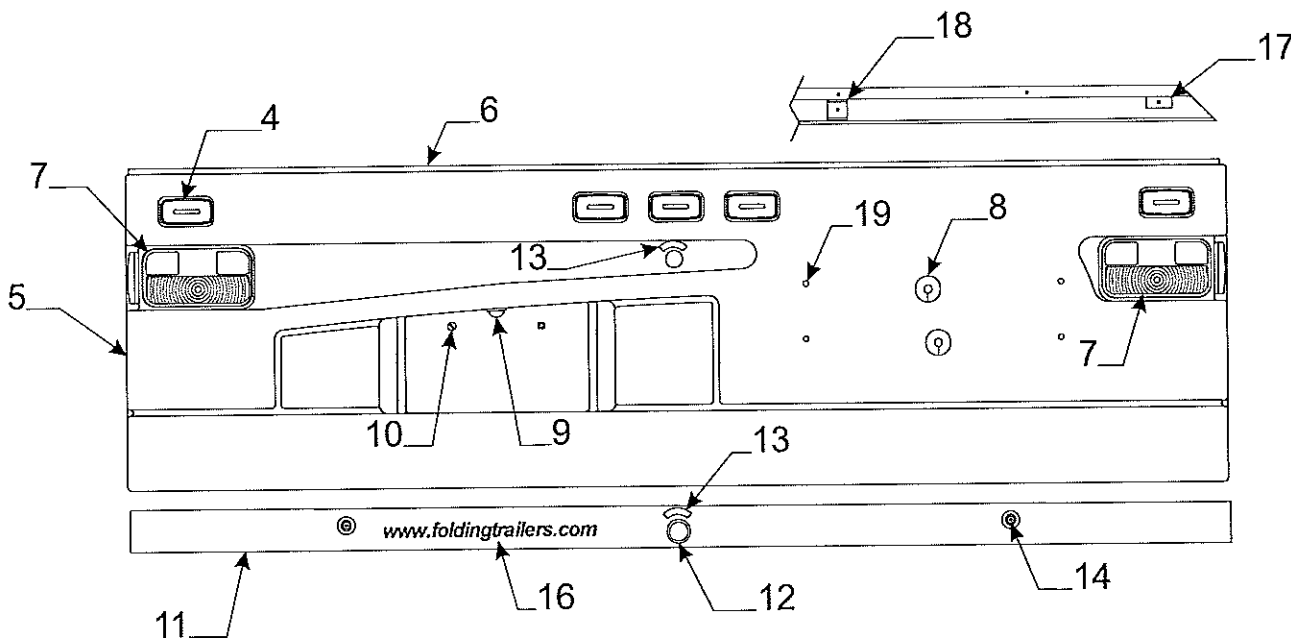
Flat Rate	Code	Part #	Description	Flat Rate	Code	Part #	Description
.50	1	4758-9861	storage box lid	.15	15	4768-6631	cargo door lock bar assy.
.20	2	4759B0041	lid hinge x3			1202B1068	fender washer m12
		4759-1711	3/8" ss screw m12		16	4759-0031	cargo door lock pan "black"
		1202E1111	ss washer m12			4747-2558	expansion rivet m25
.50	3	4769-5001	support post assy.		17	4759-0371	lock pan angles x2 "black"
		1203-8831	rivets m25			1203-8651	rivet m25
.25	4	4759-1721	cargo light	.15	18	4759-0261	wraparound marker light amber
		4744C4611	expansion rivet m25			4716-1001	amber lens
	5	4759-0911	drain plug (not shown)			4758-1201	expansion rivet m25
	6	4751B1181	prop rod			4759-1871	1/2" black vinyl seal washer m12
		4751-1208	push nut			4350000028P	butyl tape 6' pc. pkg.
		4751C1191	prop rod bracket	.15	19	4759-0191	lid latch "locking"
.10	7	4734-2431	gripper clip m4		<b>Note: lockable latch used in place nonlocking latch</b>		
*	8	4739B2901	snap cap & washer m12		20	4759A0521	lid stop bkrt. "black"
	9	4759-0381	cargo light on/off switch			4759-0551	flat head tek screw m12
	10	4060037501P	3/8" convoluted tubing 10' pkg.	.15	21	4759-0201	lid latch strike
		Note: Tubing covers interior box wire harness				4767-0891	finger pull tab
.75	11	4060000601P	lid seal pkg. (15' pc.)			4759-0218	strike screw x2
.20	12	4060000689P	cargo door seal (6' pc. pkg.)			1201B6958	keps nut x2
.50	13	4758-9851	cargo door (less hardware)		22	4759-0361	switch bracket
.50	13A	4759-0071	cargo door hinge	.25	23	4716A1331	water heater door "gray"
		4747-2558	expansion rivet m25	.30	24	4759A2681	water heater cover side
		4759-1711	3/8" ss screw m12	.30	25	4759A2671	water heater cover top
.15	14	4730C3111	cargo door lock w/key		26	4759-2661	water heater cover brkt.
		4759-0531	lock seal			4732-1181	plastic grommet m4
		1032E10168	10-24 x1 ss screw x2			1121C1618	screw x2
		4759-0548	female threaded screw x2				

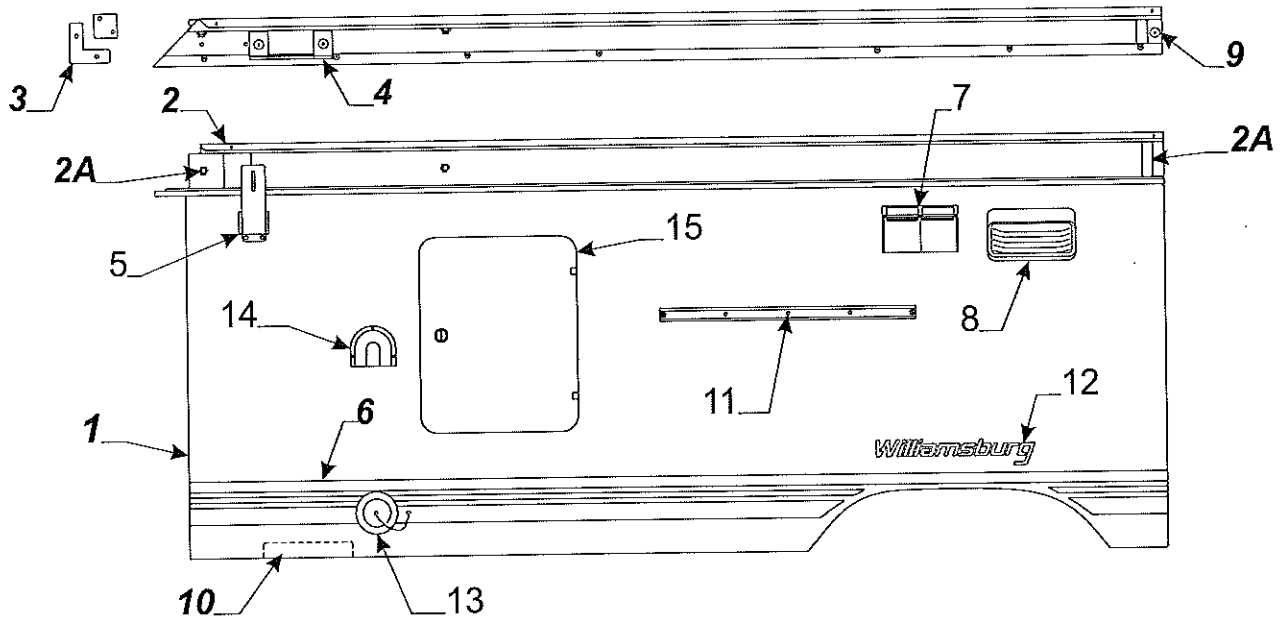




4716A3931 Frt./Rear Hardware & Decal Kit

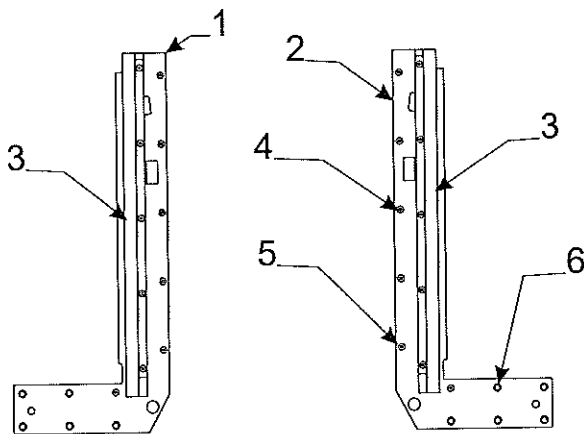
Flat Rate	Code	Part #	Description	Flat Rate	Code	Part #	Description
* 1.50 Flat Rate Front Panel/2.50 Rear Panel							
<b>Front &amp; Rear Body Panel Components</b>							
*	1	4767A2391	front body pnl. 4189, 4191	.10		4716A1061	taillight lens
2.50		4759C0881	frt. body pnl. 4196, 50, 78, 81			4747-2558	expansion rivet m25
.75	2	4754B8681	front end rail	.10	8	4754-3871	foam gasket m2
		1203-8651	rivet x5 m25	.15	9	4739B4311	tag light
<b>Note: refer to opposite page for storage box body rail</b>							
.15	3	4714J08481	amber marker light x4	.05	10	4732-1181	plastic grommet m4
.10		4716A4571	amber lens (lens only)	.05		1121C1618	license plate screw x2
.25		4733H1311	socket & harness	.30	11	4756F2371	bumper (all except 4189)
		4747-2558	expansion rivet m25	.30		4759-2261	bumper 4189 only
.15	4	4714J08581	red marker light x7	.10	12	4756-9761	2" hole plug
.10		4716A4561	red lens (lens only)	.10	13	4730H3188	"open" decal
		<b>Note: refer to code # 3 for hardware</b>		.25	14	4714-0391	rear bed leg pin pkg.
*	5	4757B1961	rear body pnl. (all)	.05	15	4759-8488	warning/caution decal
		4741D96568	expansion rivet m25 "white"	.05		4739D1168	patent decal
.75	6	4754C8691	rear end rail	.10	16	4767-0888	www.com decal
		4758-1141	rivet w/rubber washer m25	.15	17	4754A8491	nylon bed rest & screw
				.15	18	4754B8921	nylon bed ramp & screw
					19	4767-0171	plastic hole plug m4



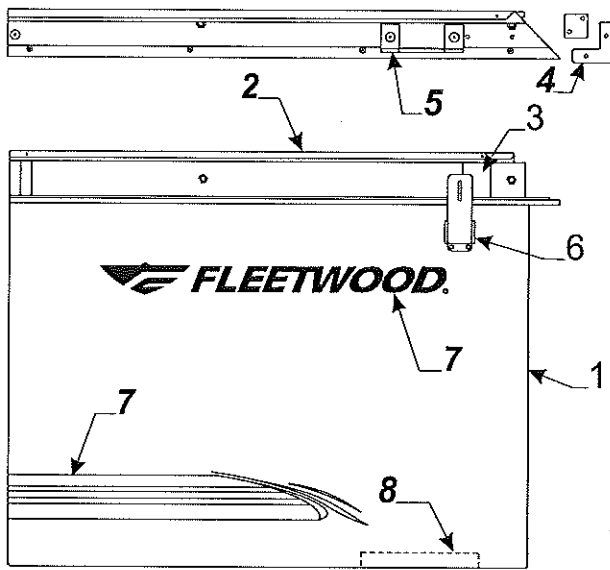


4716B3941 Curbside Trim Tape/Hardware Kit

Flat Rate	Code	Part #	Description	Flat Rate	Code	Part #	Description
1.00	1	4757F3071	csr body panel 4189 Santa Fe	.25	8	4752-9921	porch light
1.00		4757D9631	csr body panel 4196 Cheyenne	.10		4716-5511	porch light lens "amber"
1.00		4754K9701	csr body panel 4191 Sun Valley	.15	9	4738-3941	turn button & rivet
1.00		4759C1371	csr body panel 4178, 4181		10	4060050008P	foam tape(12' pkg.)
1.00		4755S0431	csr body pnll 4150 Williamsburg	.25	11	4767-3921	stove support brkt.
1.00	2	4757B3081	csr body rail 4189 Santa Fe			4745-3968	screw
1.00		4757A9661	csr body rail 4196 Cheyenne			4744C2461	torx screw m2
1.00		4754C9511	csr body rail 4191 Sun Valley			1201B6958	nut x2
1.00		4767A3151	csr body rail 4150, 4181, 4178	.25	12	4749T4438	Santa Fe name decal
.10	2A	4716-2771	vel-stick body rail pkg.	.25		4751P0658	Cheyenne name decal
.15	3	4716-7061	inner/outer miter cover pkg.m4	.25		4756J3498	Bayside name decal
			<b>Note: pkg. Includes rivets</b>	.25		4757F8148	Sun Valley name decal
.25	4	4734C4121	lift trim, rivets & gasket pkg. m4	.25		4767B3188	Williamsburg name decal
		4733-3398	nylon flange bushing x2 per trim	.25		4755H4738	Utah name decal
.15	5	4741C6041	top latch w/out lock tab	.25		4755H4818	CP decal
		4749-4848	foam pad	.10	13	4714A2861	shower drain cap & strap
.50	6	4716B3941	trim tape & hardware kit	.15	14	4757-9261	vent cover "plastic"
.25	7	4746A3861	duplex cover & outlet	.50	15	4759-6341	potty hatch dr. 4150
.35		4746-3871	duplex box	.15		4751D8301	lock & o-ring
		1203-8678	rivet m25 (rivet box to pnl.)			4350000028P	3/4" butyl tape pkg. (6' pc.)
						4060000402P	black d-seal pkg. (6' pc.)

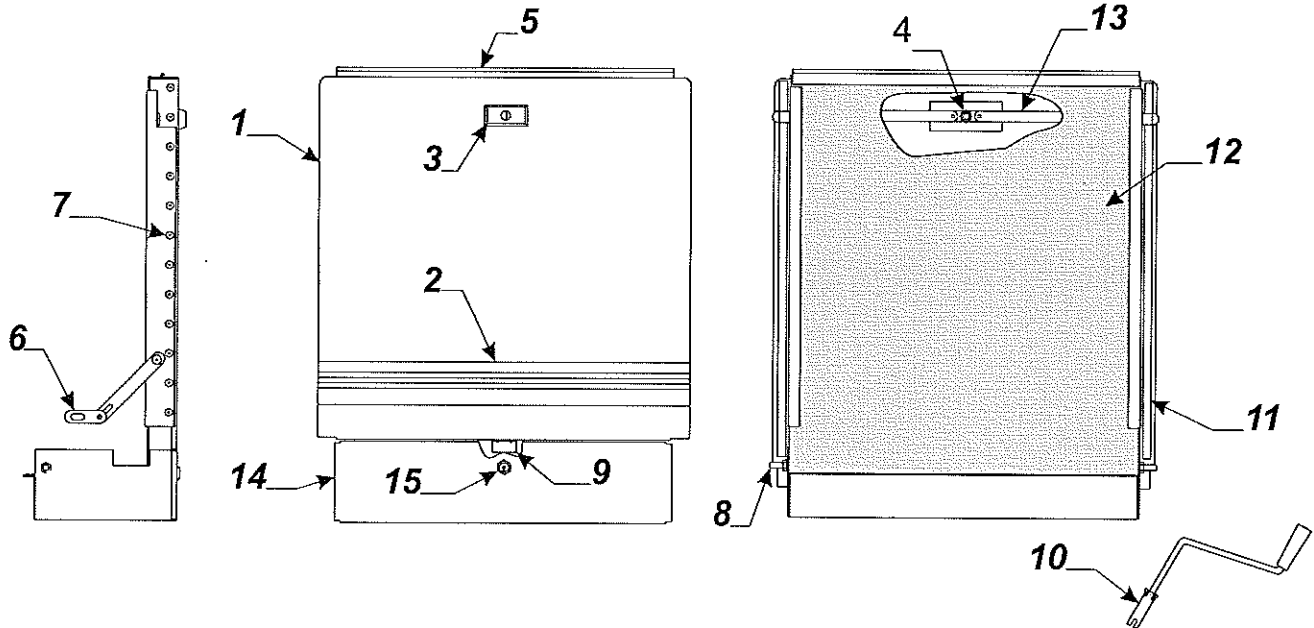


Flat Rate	Code	Part #	Description
1.25	1	4768B6821	csf bulkhead (all)
1.25	2	4768B6831	csr bulkhead (all)
.35	3	4745B0811	rubber door seal
	4	1203-8641	rivet m25
	5	1203-8978	countersunk rivet m25
	6	4744A0501	hex head tek screw m25



**4716B3941 Curbside Trim Tape/Hardware Kit**

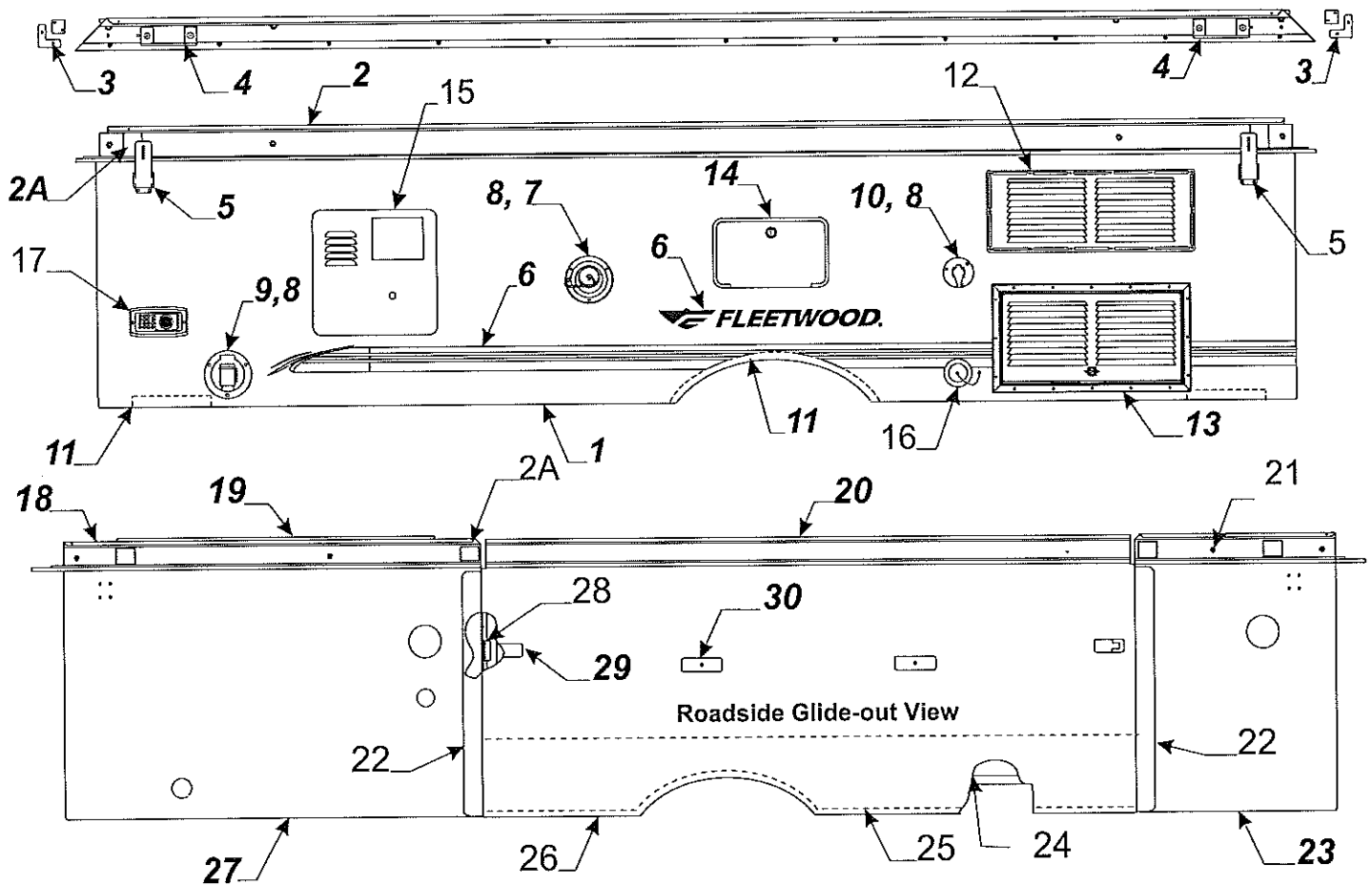
Flat Rate	Code	Part #	Description
.85	1	4757F3111	csf body panel 4189 Santa Fe
.85		4759B0731	csf body panel 4196 Cheyenne
.85		4756F9281	csf body panel 4191 Sun Valley
.85		4756F4361	csf body panel 4150, 4178, 4181
1.00	2	4757D3121	csf body rail 4189 Santa Fe
1.00		4757A9651	csf body rail 4196 Cheyenne
1.00		4767A3141	csf body rail 4150, 4178, 4181
1.00		4754E9501	csf body rail 4191 Sun Valley
.10	3	4716-2771	vel-stick body rail pkg.
.15	4	4716-7061	inner/outer miter cover pkg. m4
.25	5	4734C4121	lift trim, rivets & gasket pkg. m4
		4733-3398	nylon flange bushing x2 per trim
.15	6	4741C6041	top latch w/out lock tab
		4749-4848	foam pad
		435000022F	foam tape (sold/foot)
.50	7	4716B3941	trim tape & hardware kit
	8	4060050008P	1/2" x 1" foam tape pkg.(12' pc.)



**4757-7131 Access Door Assembly "complete" less trim tape**

**FLAT RATE 1.25 complete door assembly**

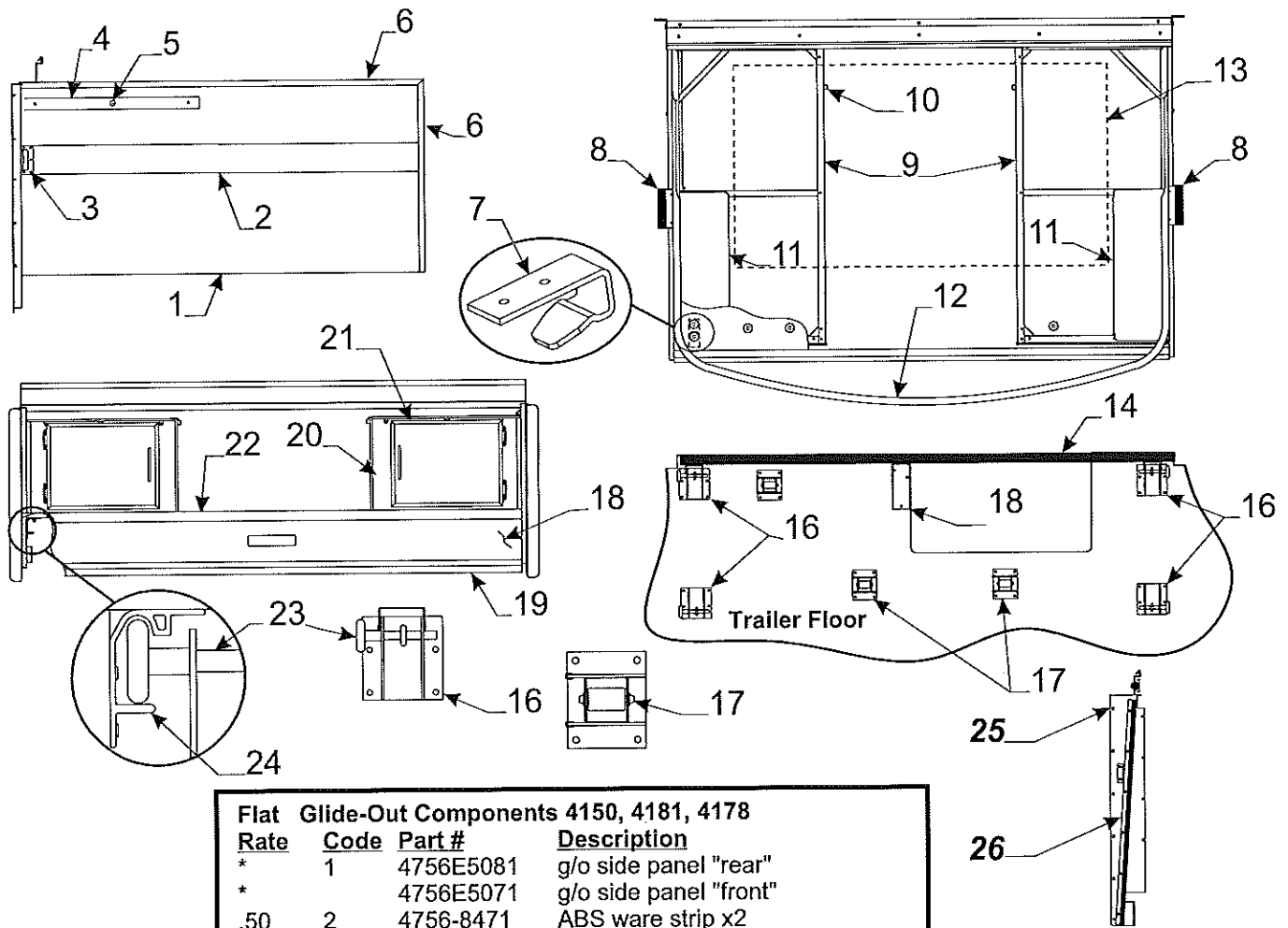
Flat Rate	Code	Part #	Description	Flat Rate	Code	Part #	Description
1.00	1	4759A0661	door skin		8	1006B2428	bolt x2
	2	4350002059P	trim tape (12' pc. pkg.)			1201B5188	nut (to affix bolt to door)
1.00	3	4730C3111	lock handle (with key)			1201B6448	nut (affix door to to trailer)
		4716-081	screw x2			1202B0468	washer m10
		1201B6958	keps nut x2	.10	9	4747A2521	latch angle w/rivets
1.00	4	4741-1438	reinforcement plate		10	4747G4141	crank handle
.25	5	4731E2331	access door cap	.20	11	4060025006P	foam tape pkg. (4' pc.)
		1203-8651	rivet m25	1.00	12	4758B4711	step covering "black flextrud"
.15	6	4744-6981	swing arm pkg. (w/rivet & washer)	1.00	13	4741A6551	lock bar assembly
		1203C8721	rivet m25	.25	14	4754-6921	lower dr. w/hinges - less lock
		1202B0468	washer m10			1203-8951	rivet m25 (affix door in place)
	7	4733G0601	rivet "black" m25	.25	15	4751D8301	lock assembly w/o-ring



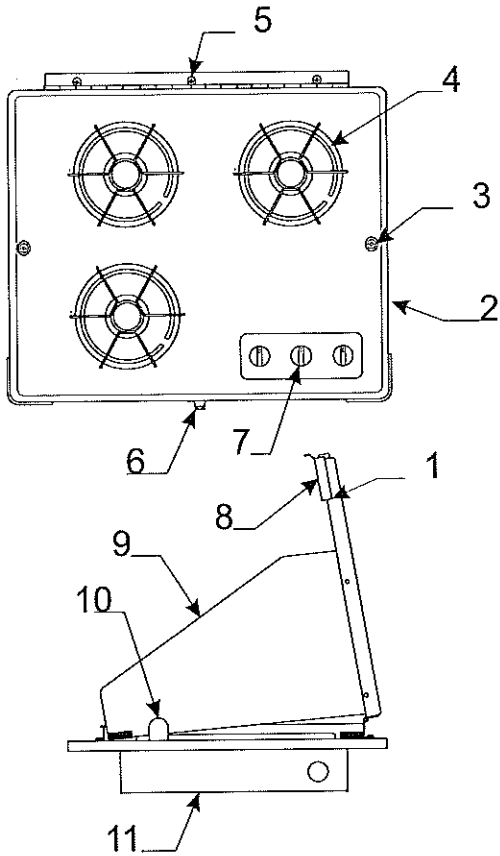
\* Add .50 For Heater Vent |1.00 For Refrigerator|.50 For Hot Water Heater

4716B3951 Roadside Trim Tape/Hardware Kit

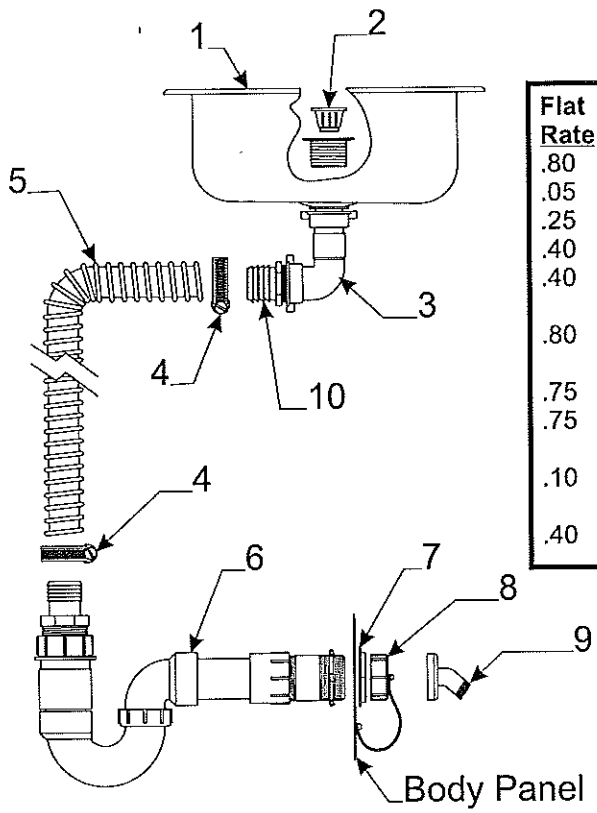
Flat Rate	Code	Part #	Description	Flat Rate	Code	Part #	Description
*2.00	1	4757N3091	left side body pnl. 4189	.25	15	4716-1331	water heater door
*2.00		4759C0721	left side body pnl. 4196	.10	16	4714A2861	drain cap & strap
*2.00		4754T2141	left side body pnl. 4191	.10	17	4741C9471	8" furnace vent
3.00	2	4757B9641	body rail 4189, 4196	1.00	18	4767A3271	left frt body rail (all)
3.00		4767B3161	body rail 4191 Sun Valley	.10	19	4737D2231	curtain track
.10	2A	4716-2771	vel-stick body rail pkg.	.75	20	4756A9951	glide-out body rail
		4757-0731	wire grommet & nut	1.00	21	4767A3241	left rr body rail (all)
.15	3	4716-7061	miter cover pkg. m4			4757-0731	wire grommet & nut.
		<b>Note: pkg. Includes rivets</b>		.25	22	4716-8041	angle seal pkg. frt./rr
.25	4	4734C4121	lift trim/gasket pkg. m4			4060000023P	d-seal "white" (5' pc.)
.15	5	4741C6041	top latch w/lock tab	1.50	23	4767C3191	left rr pnl 4150, 4181
		4749-4848	foam pad	1.50		4757H9161	left rr body pnl 4178
.50	6	4716B3951	trim tape & hware kit	.20	24	4756-2651	L- channel 48" pc
.30	7	4731D1711	water tank spout	1.25	25	4757B5601	g/o cover plate "black"
	8	4741-3508	hex head tek screw x3	1.00	26	4756G6641	g/o body panel (all)
.15	9	4733B23361	cable hatch	1.50	27	4757H0961	lt. frt pnl 4150,78,81
.30	10	4732F1521	city fill	.75	28	4756A4171	strike w/screws
	11	4060050008P	1/2" x 1" foam tape(12' pc.)			4756-3251	shim
.50	12	4747D8321	refrigerator vent "upper"	.75	29	4755-4091	latch & gasket
		4745-3968	painted screw arctic wht.	.75	30	4756-1181	pull handle
.50	13	4747D8331	reefer vent hinged "lower"			4738-2608	tek screw "black"
.25	14	4750C5861	o/s shower complete				
		4716-7511	key Ch751 m2				
.15		4750A2961	lock assy. w/key				



Flat Glide-Out Components 4150, 4181, 4178				
Rate	Code	Part #	Description	
*	1	4756E5081	g/o side panel "rear"	
*		4756E5071	g/o side panel "front"	
.50	2	4756-8471	ABS ware strip x2	
.15	3	4756-2171	lock boot w/cover plate x2	
.25	4	4754-3811	vel-stick (must cut to size)	
	5	4730A3548	stud w/screw x2	
.20	6	4060015603P	U-channel 48" pc.	
	7	4756-1201	glide-out catch x2	
.10	8	4756A1151	5 1/2" brush seal x2	
	9	4759B6021	glide-out bench frames x2	
	10	4724-2608	stop button "plastic"	
.40	11	4756C6131	metal flip-up backrest x2	
.10	12	4756C2071	glide-out tent bow	
1.25	13	3568803202P	ware plate "galvanized" 30x55	
1.25	14	4757B5601	g/o cover plate assy. "black"	
	15	4756A136	cover support brkt. x1	
	16	4756B6591	adjustable tower "front"	
		4757-7321	adjustable tower "rear"	
	17	4756-6651	short tower roller assy. x3	
.25	18	4756D6041	wood kick plate assy.	
.50	19	4757A2351	floor sweep	
	20	6010415696P	universal paneling	
	21	4756C8921	door panel 12 1/4" x 16"	
.50	22	4773-209	71" edge cap "brown"	
	23	4756-1161	glide-out roller x4	
	24	4756A125	glide-out roller track x2	
1.65	25	4759D5031	g/o bulkhead left front	
1.65		4759D5041	g/o bulkhead left rear	
.35	26	4756-3521	rsf g/o seal track	
.35		4756-3511	rsr g/o seal track	
		4064700589P	sweep seal "black" (8' pc. pkg.)	

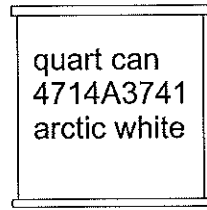
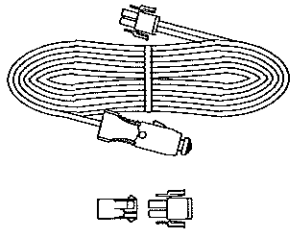


Stove Component Parts (Upper Galley Assy.'s)			
Flat Rate	Code	Part #	Description
.15	1	4758A1601	stove cover assy. "black"
.15	2	4763-1461	3 burner cook top "black"
.05	3	4716-2631	stove top screw/washer m2
.05	4	4752A9881	stove grate x3
.10	5	4716A2671	stove cover hinge
.15	6	4733-4018	stove cover latch
.15		4733-4028	stove cover strike
.05	7	4716A1861	knob
	8	4732A2291	edge molding m2
.25	9	4716A2651	stove fin "black"
.15	10	4716A2641	stove fin stay brkt. m2
.75	11	4739H2931	3 burner stove box

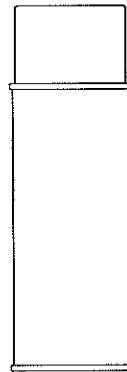


Sink & Component parts			
Flat Rate	Code	Part #	Description
.80	1	4745E2801	sink "black porcelain"
.05	2	4714C0661	crumb cup "only" (wht. threaded)
.25		4730E3151	crumb cup & basket
.40	3	4757-0861	elbow, nut & washer
.40		4757-9131	black rubber washer
.80	4	4715-4501	1 1/4" hose clamp
	5	4060012503P	1 1/4" drain hose pkg. (10' pc.)
<b>Note: must cut hose to length</b>			
.75	6	4758C5431	drain trap assy. (all except 4189)
.75		4759B5411	drain trap assy. 4189 Santa Fe
	7	4757-0921	1 1/2" metal nut "white"
.10	8	4714A2861	cap & strap
	9	4737-9138	drain adapter
.40	10	4757A0871	adaptor 1 1/4" barb

4733D6701 auto extension

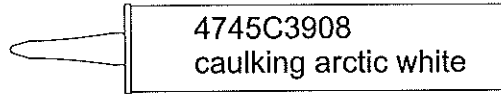


quart can  
4714A3741  
arctic white



16 oz. spray  
0008-2561 arctic white  
0008-2571 black  
0008-2641 black textured  
0008-2701 summit ash

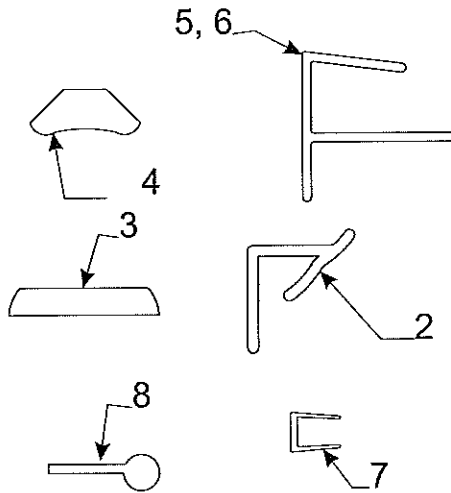
4716A4701 12 volt cap & plug m2



4745C3908  
caulking arctic white

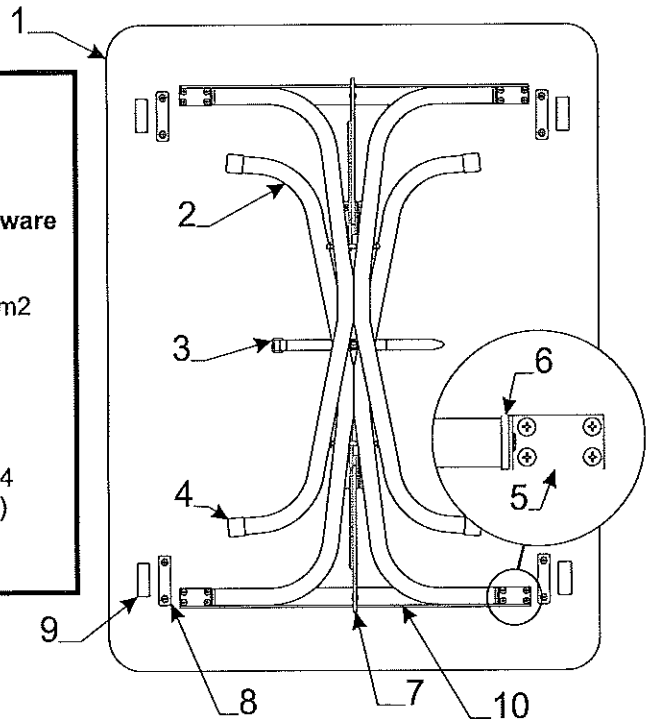
4767-4608  
TPO caulking arctic white

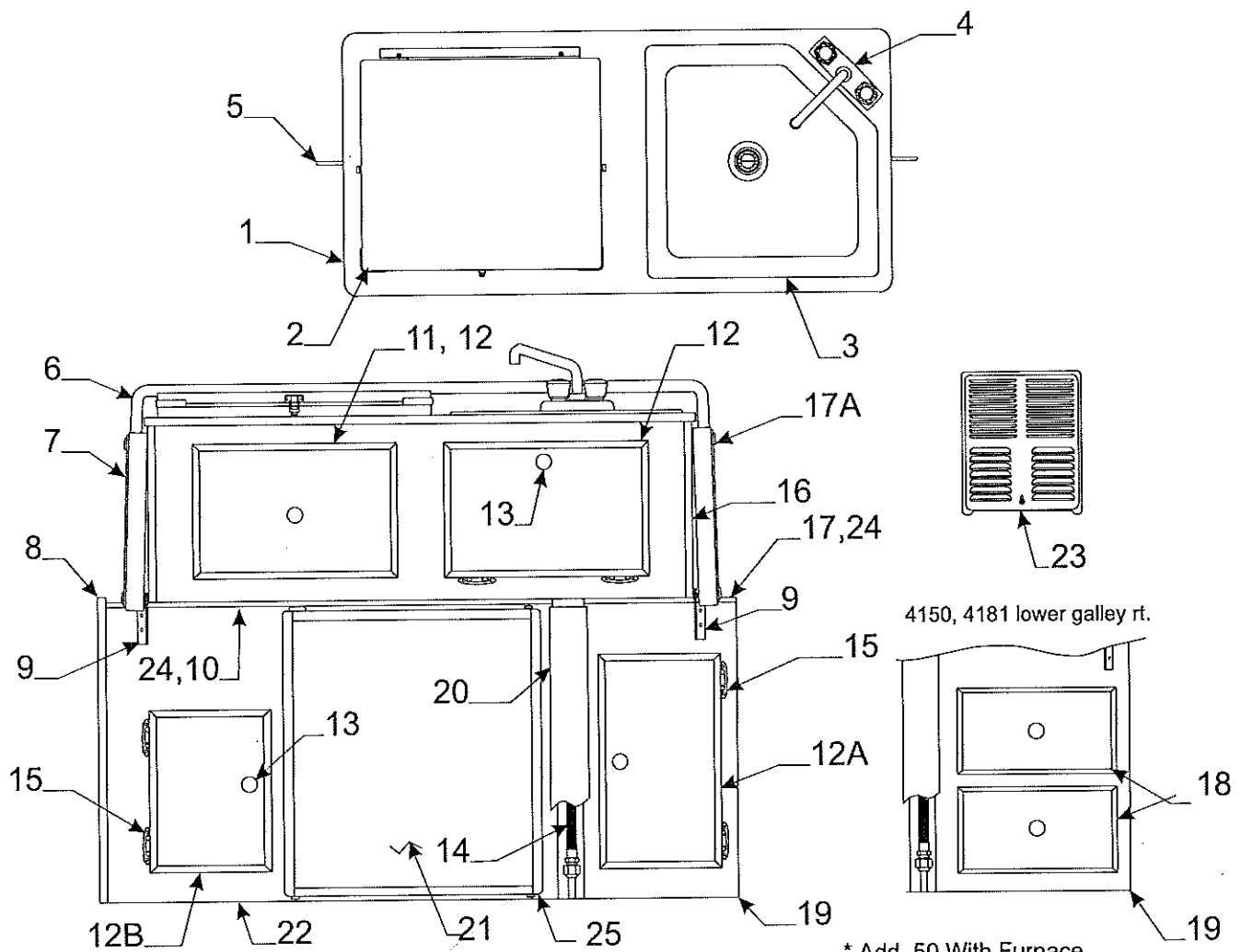
\* Prior Authorization Needed



Flat Rate	Code	Part #	Description
*	1	6010010997P	wall panel (mozart pebble) 96" x 48"
*		6010415696P	woodgrain luan panel (summit ash) 48" x 48"
*	2	4060400380P	plastic corner divider (mozart pebble) 48" pc.
*		4060400379P	plastic corner divider (summit ash) 48" pc.
*	3	4066500065P	wood batten strip (mozart pebble) 96" pc.
*		4066500069P	wood batten strip (summit ash) 48" pc.
*	4	4060475011P	wood inside corner (summit ash) 48" pc.
*	5	4060115605P	5/32" F-channel woodgrain 48" (summit ash)
*	6	4060137505P	3/8" F-channel woodgrain 48" (summit ash)
	7	4060015604P	5/32" U-channel 48" (summit ash)
		4060015603P	9/16" U-channel 48" (summit ash)
	8	4060000031P	sponge gimp 3/16" (21' pc. pkg.) brown
		4356500012P	1" vinyl seam tape (mozart pebble) 150' roll
		4350500005P	1" wood grain tape (summit ash) 150' roll

Flat Rate	Code	Part #	Description
.50	1	4759B4361	table top (39" x 30")
.50	2	4745K5271	table leg package
<b>Note: pkg. includes 2 legs &amp; required mounting hardware</b>			
.10	3	4751A9711	strap & screw pkg.
	4	4752-0551	white plastic cap m2
.15	5	4720H1211	table leg mounting brace m2
		1103E1018	5/8" wood screw
.15	6	4752A0561	table leg insert cap m2
		4747-2558	expansion rivet m25
.25	7	4744-6971	lock brace assy. x2
		1103E1018	5/8" wood screw
.15	8	4756-8741	table top plastic spacer m4
		1103B08148	7/8" screw (x2 per spacer)
.05	9	4724D2631	velcro fastener m4
	10	4759-9601	table brace brkt. x2

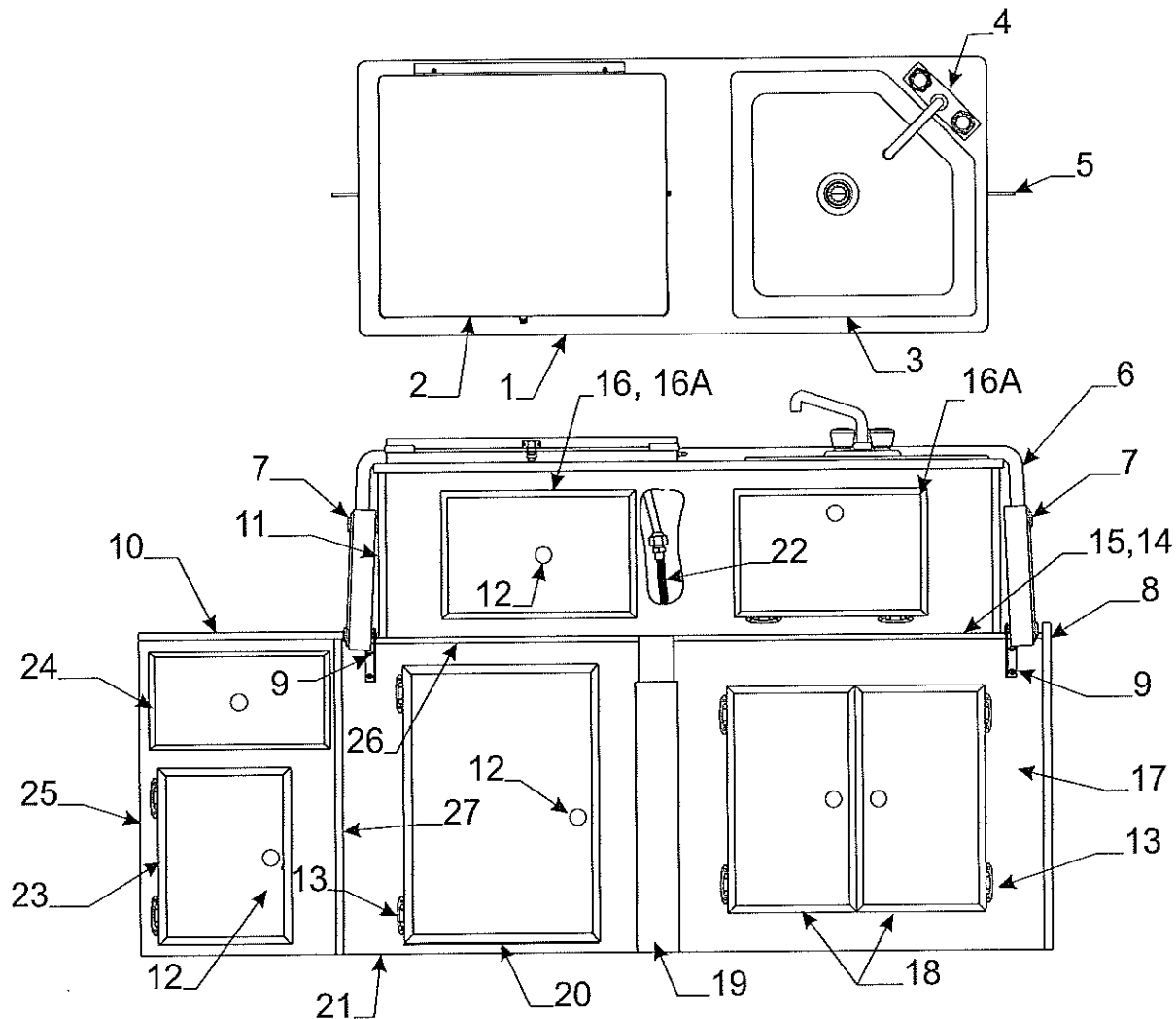




\* Add .50 With Furnace

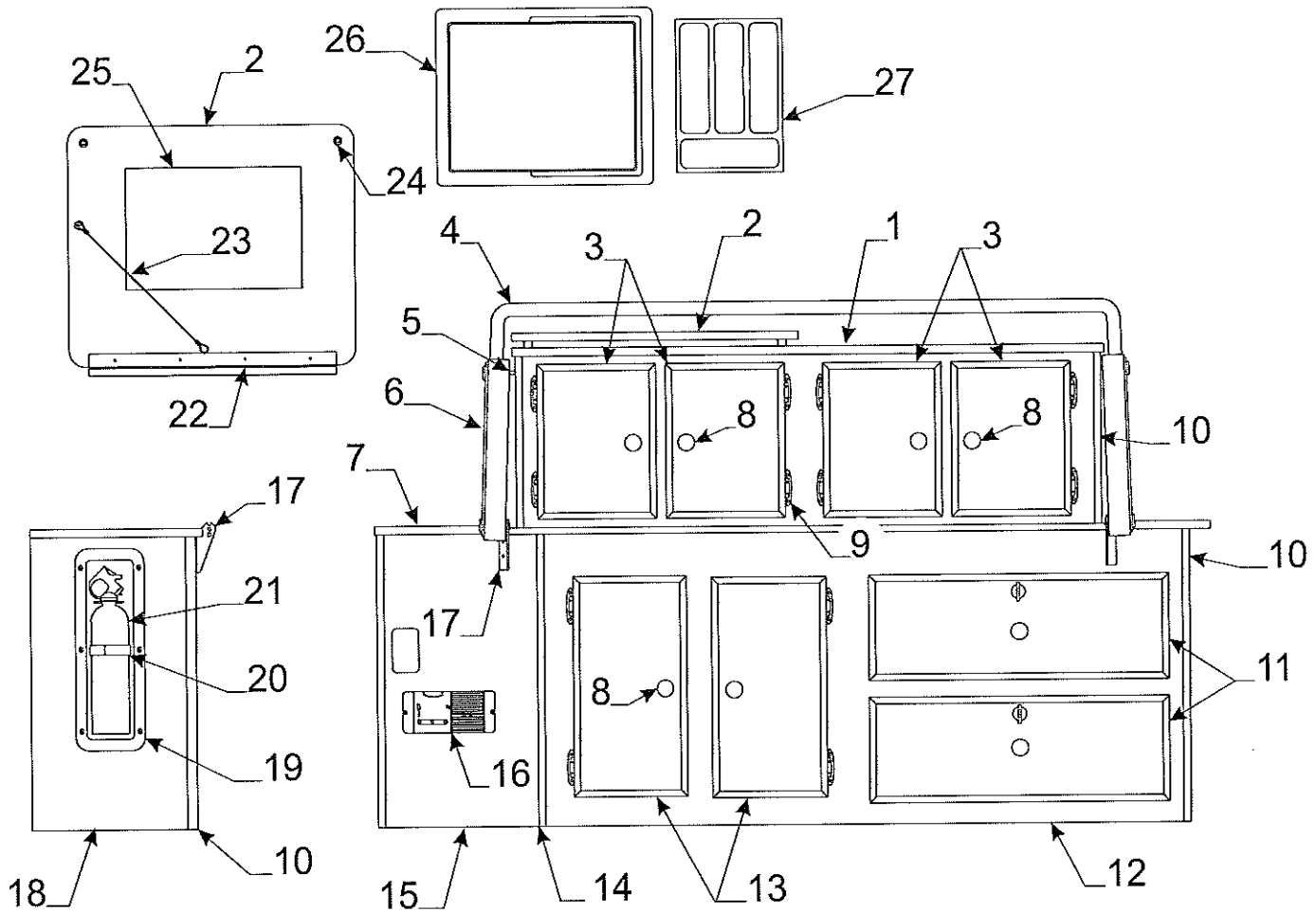
Flat Rate	Upper/Lower Galley 4189, 4196, 4150, 4178, 4181	Code	Part #	Description	FR	Code	Part #	Description
1.25		1	4752T9071	galley top	.15	12	4758B3131	door/drawer pnl. 14 1/4" x 10"
		2	<b>Note:</b> refer to page 12 for stove components				4733-6391	latch & strike pkg.
.80		3	4745E2801	sink "black porcelain"	.15	12A	4767A4771	door assy. 8 3/4" x 16 3/4"
			<b>Note:</b> refer to page 12 for sink components		.15	12B	4758B4041	door assy. 12" x 9 1/8"
1.00		4	4745E2741	mixer faucet	.10	13	4748C3951	door pull w/screws
.75		5	4756A6631	upper galley pivot brkt. (lt. & rt.)	.25	14	4753-5581	flexible gas hose
			4744D4601	rivet "elm" m25	.10	15	4762-4878	hinge
1.00		6	4756H1511	galley lift bar	.65	16	4060137505P	3/8" f-channel 48" pc.
			4744-6321	galley bar chain assy. x2	1.00	17	4767B2191	lower galley top rt. 4189, 96
			4737B9238	upper 12 tooth sprocket	1.00		4767B3311	lwr galley top rt. 4150,78, 81
			4737A9238	lower 12 tooth sprocket	.10	18	4755A7681	drawer assy. 4150, 4181
.15		7	4757D1941	chain cover lt. "plastic"	.15		4767A3201	drawer front 13" x 8"
.15		7A	4757D1951	chain cover rt. "plastic"	1.00	19	4754E8401	lower galley frt. rt. 4189, 96
.75		8	*4758C0871	seat gazoodi 4189, 4196	1.00		4756L0521	lower galley frt. rt. 4150, 4181
.75			*4756D0011	seat gazoodi 4150, 4178, 4181	1.00		4754F8341	lower galley frt. rt. 4178
.30			4060400093P	lipped t-molding 12' pc. pkg.	.25	20	4750J6731	filler assembly
.60		9	4716B1821	lower galley brkt. pkg.	.50	21	6010415696P	reefer door wood insert
1.00		10	*4758C8421	lower galley top lt. 4189, 4196	.75	22	*4767B2181	lower galley frt. lt. 4189, 96
1.00			4757J1621	lower galley top lt. 4150, 78, 81	.75		4754M3281	lower gal. frt. lt. 4150, 78, 81
.20			4746C0971	kill switch m4	.10	23	4743-3551	furnace grill
.20			4733C4981	rocker switch (elec. pump)	.10	24	4060175000P	edge trim wood grain 6' pc.
.15		11	4702-5801	drawer assy.(all)	.75	25	4757B496	lower galley frt. sm 4189, 96
					.75		4755H464	lower gal. frt. sm. 4150, 78, 81





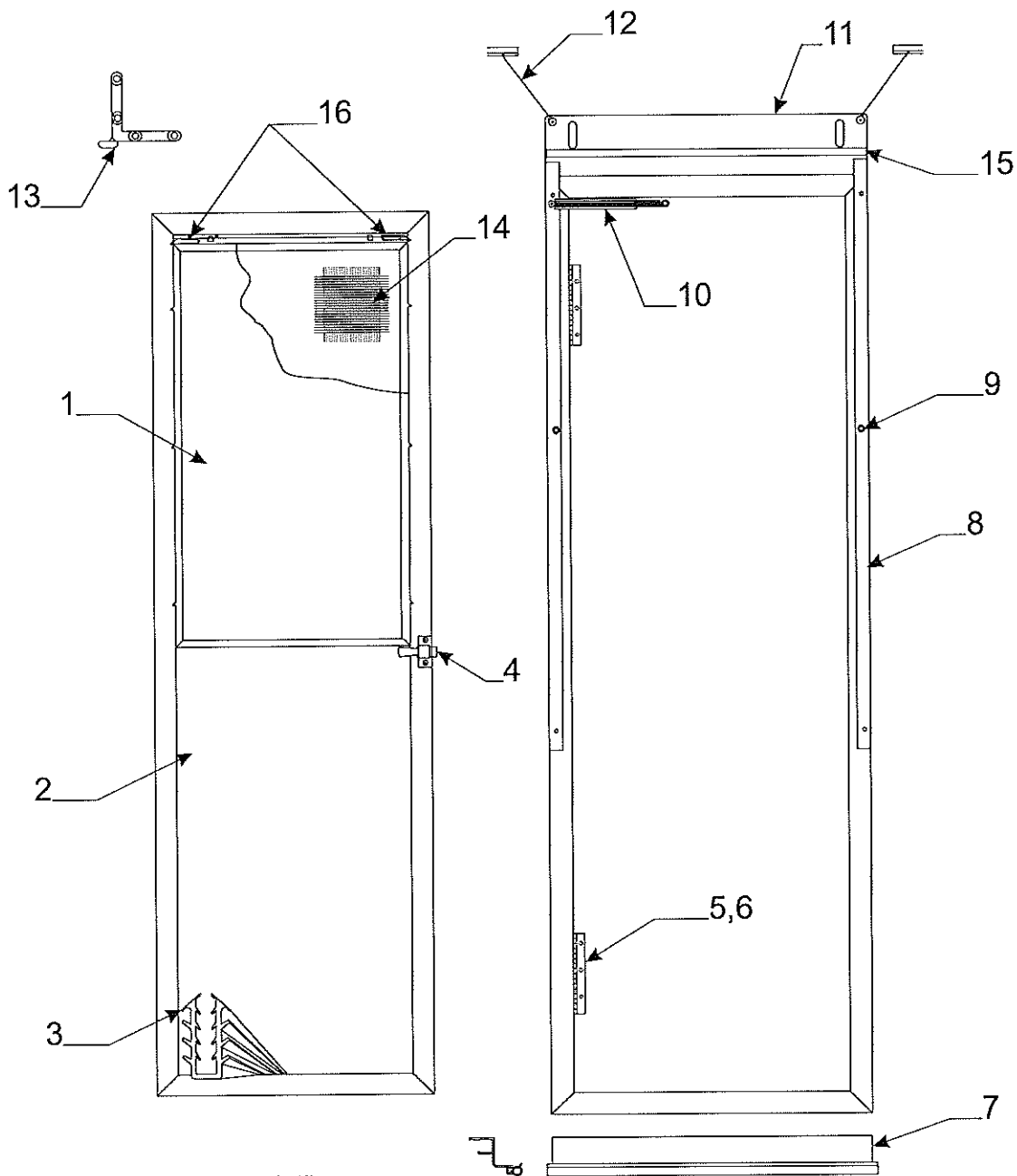
\* Add .50 with furnace

Flat Rate	Upper/Lower Galley 4191 Sun Valley	Code	Part #	Description	Flat Rate	Code	Part #	Description
2.00		1	4759E3221	galley top	.10	14	4060175000P	1/2" x 3/4" trim angle 6' pc.
		2	Note: refer to page 12 for stove components		1.00	15	4767A2461	lower galley top rt.
.80		3	4745E2801	sink "black porcelain"	.20		4746C0971	kill switch m4
			Note: refer to page 12 for sink components		.20		4733C4981	rocker switch (elec. pump)
1.00		4	4745E2741	mixer faucet	.15	16	4702-5801	drawer assy.
.75		5	4752A9271	galley pivot brkt. (lt. & rt.)	.15	16A	4758B3131	dr/drawer pnl. 14 1/4" x 10"
			4744D4601	rivet "brown" m25	1.00	17	4757C8161	lower galley front rt.
1.00		6	4756D4071	galley lift bar	.15	18	4767A4771	door pnl. 8 3/4" x 16 3/4"
			4757-6341	chain assy x2 per bar	.25	19	4750J6731	filler assembly
.15		7	4757D1911	plastic chain cover (left)	.15	20	4758B3061	dr. panel 18 1/2" x 12"
.15			4757D1921	plastic chain cover (right)			4733-6391	latch & strike pkg.
.75		8	4767A2471	seat gazoodi	1.00	21	4767B4051	lower galley front lt.
.30			4060400093P	lipped t-molding 12' pc. pkg.	.45	22	4753-5581	flexible gas hose 48"
.60		9	4716B1821	lower galley brkt. pkg.	.15	23	4758B4041	door assy. 12" x 9 1/8"
1.00		10	4767C4081	cabinet top	.15	24	4767A3201	drawer pnl. 13" x 8"
			4747-8941	black plastic cap m2	.10		4767B6981	drawer assy.
.65		11	4060137505P	3/8" f-channel 24"pc.		Note: refer to page 20 for drawer components		
.10		12	4748C3951	door pull w/screws	.75	*25	4767A4061	cabinet front
.10		13	4762-4878	hinge	.75	26	4757H0051	lower galley top lt.
					.75	27	4767A4071	cabinet side panel



**CS Swing Level Vanity Cabinet Assy. - 4178 Bayside**

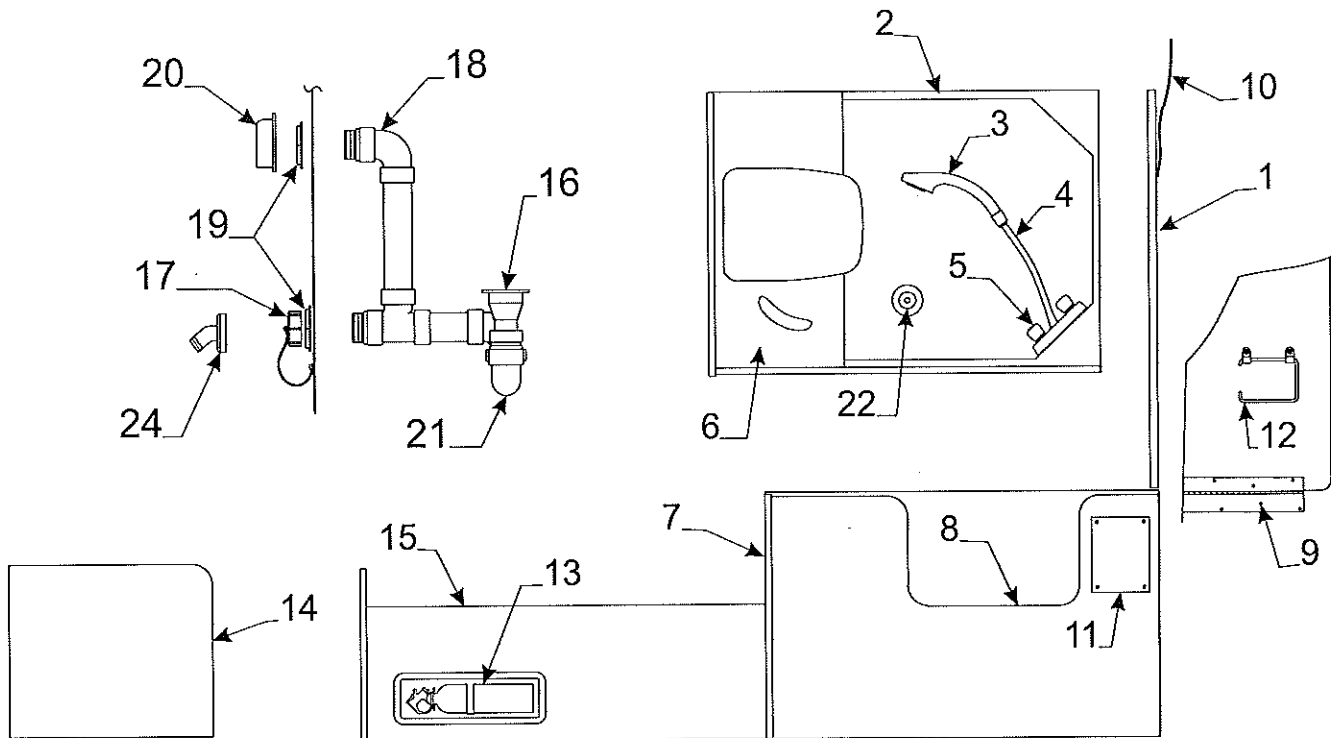
FR	Code	Part #	Description	Flat Rate	Code	Part #	Description	
1.25	1	4767C2911	cabinet top	1.00	12	4767C2801	lower cabinet frt. rt.	
.50	2	4767C2921	lift up board assy.	.15	13	4767A4771	door panel 8 3/4" x 16 3/4"	
.15	3	4758B4041	door pnl. 9 1/8" x 11 3/4"			4733-6391	latch & strike pkg.	
1.00	4	4756D4071	lift bar	.50	14	4767A289	panel connector	
		4744-6321	chain assy. x2 per bar	1.00	15	4767D2811	lower cabinet frt. lt.	
.75	5	4756A6631	pivot bracket	.25	16	4753B9171	lp gas detector	
		4734K1861	rivet "elm" m25	.60	17	4716B1821	lower cabinet brkt. pkg.	
.15	6	4757D1911	plastic chain cover (left)	.50	18	4767B2861	cabinet side lt	
.15		4757D1921	plastic chain cover (right)	.15	19	4737B4198	recessed mount	
.25	7	4767D2841	lower cabinet top			4738-3088	screw x6	
		4747-8941	black plastic cap m2	.05	20	4716-1191	fire extinguisher strap m2	
.20		4746C0971	kill switch m4	.10	21	4737A5558	fire extinguisher	
.10	8	4748C3951	door pull w/screws	.15	22	4767-293	hinge	
.10	9	4762-4878	door hinge			4755-7181	stop cable	
.65	10	4060137505P	3/8" f-channel 48" pc.	.05	24	4724-2608	stop button x2	
.15	11	4767A47861	drawer frt. 22 3/4" x 7 3/4"	.15	25	4757-0161	mirror	
.10		4755B7211	drawer assembly			26	4773-0311	vanity bin (plastic)
.15		4767-3601	chrome thumb turn lock			27	4755-4481	cutlery tray



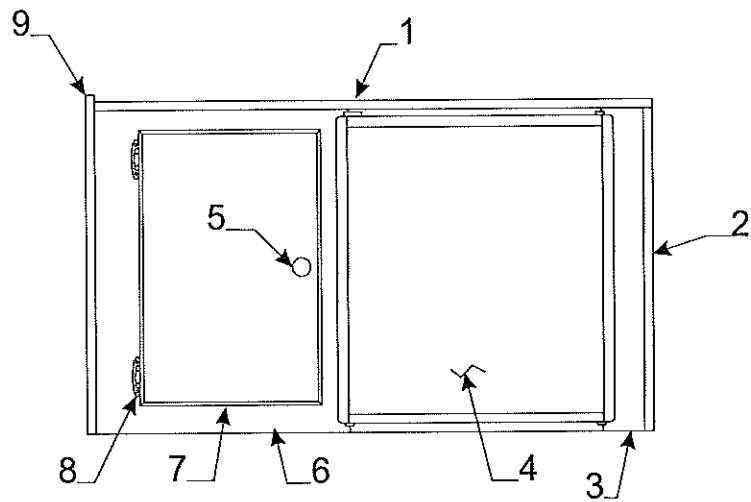
**4769A5011 Screen Door Assy. (All)**  
 .30 Flat Rate Screen Door Complete

Note: parts marked w/\* asterisk are not included w/screen door

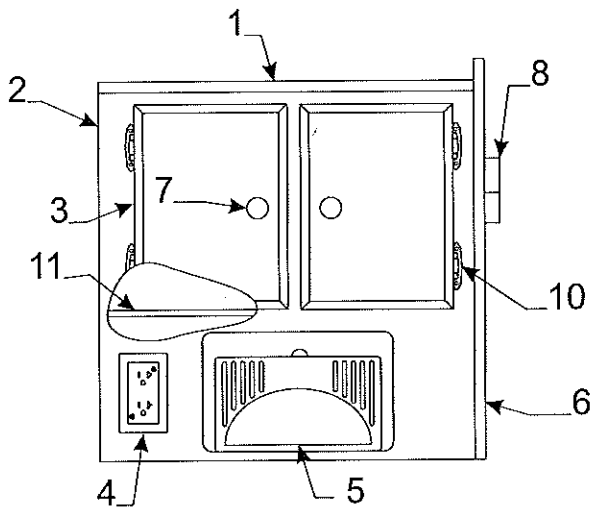
Flat Rate	Code	Part #	Description	Flat Rate	Code	Part #	Description
.10	1	4716E3401	top sliding window pane	.05	9	4730A3548	stud w/screw x2
.40	2	4754D1541	stationary window pane	.20	10	4731A8201	spring package
.15	3	406000086F	rubber seal (sold/foot) Note: around perimeter of window pane	.30	11	4758C0571	top bracket
.15	4	*4742-9671	door latch assembly	.15	12	4734D5211	cabl assy. m6
.15	5	4720C3601	hinge x2	.50	13	4710-3791	corner brace hinge m2
	6	1203-8641	rivet m25		14	4716-1381	screened stationary pane
.25	7	*4747A5621	screen door support	.75		4716-1111	screening 36" x 18 1/2"
.20	8	*4060000399F	rubber seal (sold/foot)	.10	15	4060000023P	d-seal "white" (5' pkg.)
		4754-3811	vel-stick (pkg. of 2)	.50	16	4716-3811	window lock pkg. rt./lt.



Shower Stall Components - 4150 Williamsburg				
Flat Rate	Code	Part #	Description	
.40	1	4755A7991	shower cover board	
.30		4060450008P	1/2" t-molding pkg. (12' pc.)	
1.50	2	4757A2091	shower pan	
1.50		4757F6721	shower cabinet assy.	
.15	3	4767-0101	shower head w/bracket	
		4767-0111	shower head bracket	
.20	4	4741B2051	shower hose (72" length)	
.50	5	4741B2071	shower diverter	
.10		4716-0848	shower hose connector	
.75	6	4746D2461	electric flush cassette potty	
.75	7	4754F3861	shower wall	
.30		4060400093P	5/8" t-molding pkg. (12' pc.)	
1.50	8	4756E4621	shower threshold	
.30		4060300083P	t-molding (threshold) (12' pc.)	
.25	9	4756-4441	shower board hinge	
.15	10	4757A6701	hold-up trap	
.25	11	4757C2171	shower hose cover	
.15	12	4756-9121	TP holder	
		4747-2531	1/4" nylon clamp m2	
	13	<b>Note: refer to page 22 for fire extinguisher</b>		
.30	14	4756E4921	seat end	
.30		4060400093P	5/8" t-molding pkg. (12' pc.)	
.15	15	6010415696P	seat front panel 48" x 48"	
	16	4757-8561	drain plug adapter	
.10	17	4714A2861	cap & strap	
1.00	18	4741B9301	vent system	
		4757-928	1 7/8" vent screen	
.50	19	4757-0921	metal nut "white"	
.20	20	4757-9261	vent cover "plastic"	
.40	21	4752-3621	p-trap w/union joint	
.50	22	4746A1821	basket & strainer	
	23	4741D6361	tub package.	
	24	4737-9138	drain adapter	

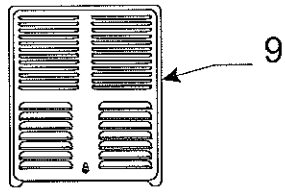


Flat Rate	Code	Part #	Description
1.50	1	4767D2501	hutch top
.30	2	4757C8771	hutch side
.75	3	4767A249	hutch frt. rt.
.25	4	6010415696P	reefer insert panel
.10	5	4748C3951	door pull (includes screw)
.75	6	4752M4551	hutch front "left"
.15	7	4758B3061	door pnl. 18 1/2" x 12"
.10	8	4762-4878	hinge
.30	9	4767A2471	gazoodi
.30		4060400093P	lipped t-molding (12' pc. pkg.)

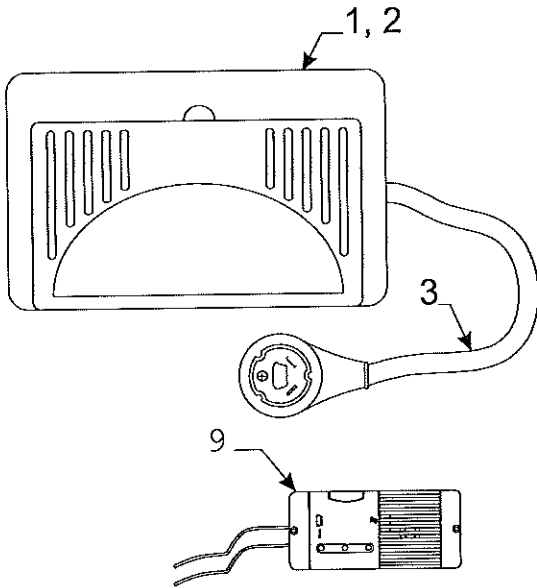


Flat Rate	Code	Part #	Description
.25	1	4756N0081	cabinet top
.75	2	4756N0071	cabinet front
.15	3	4758B4041	door panel 12" x 9"
.20	4	4752-2371	20 amp receptacle
1.00	5	4753E8201	converter 25 Amp
1.00	6	4756D0011	gazoodi
.30		4060400093P	t-molding pkg. (14' pc.)
.10	7	4748C3951	door pull w/screw
*	8	4755B8201	nylon block x2
.10	9	4743-3551	furnace grill
.10	10	4762-4878	hinge (spring loaded)
.20	11	4755G358	converter cover shelf x2

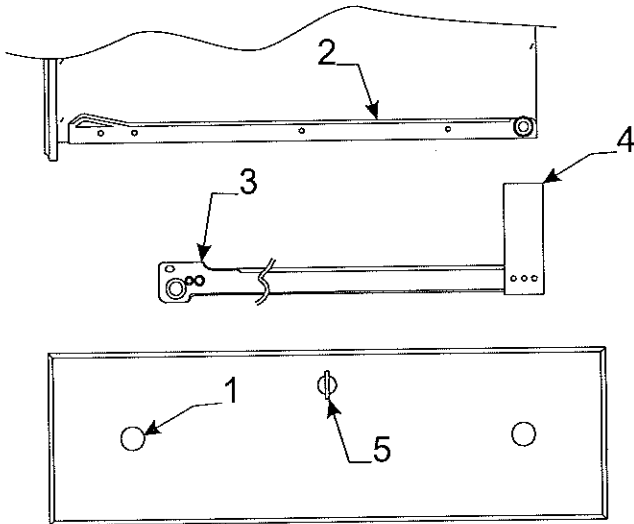
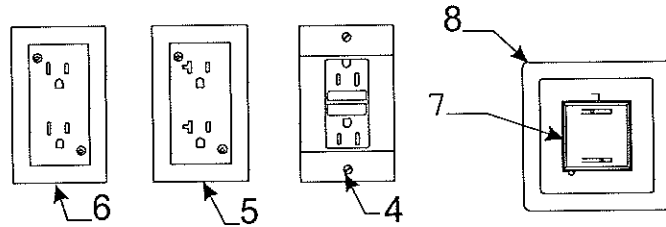
\* Prior Authorization from factory needed.



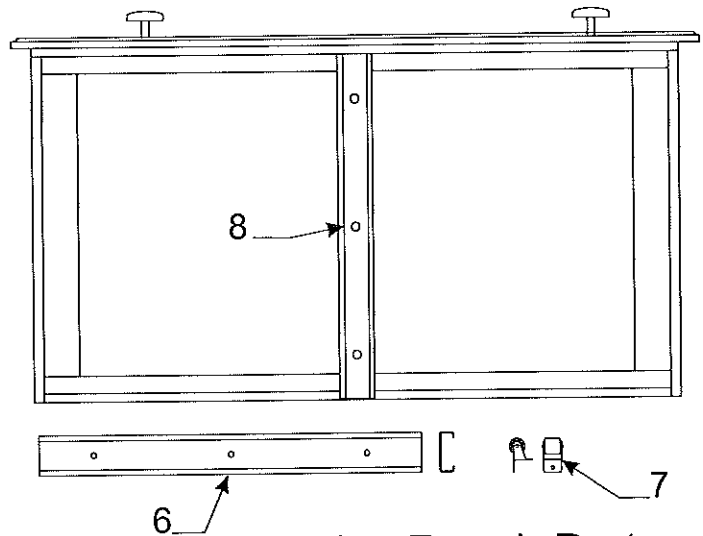
**WORLD FRIENDSHIP CO., LTD**  
 Warranty: 800-900-2468

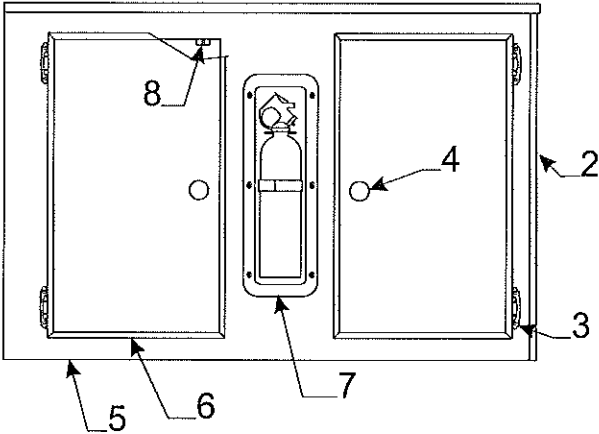
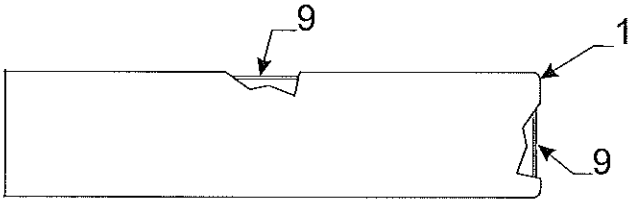


Flat Rate	Converter & Related Parts		
	Code	Part #	Description
1.00	1	4753E8201	converter 25 amp WFCO
.15	2	4716D1301	face cover w/door (plastic)
.60	3	4772-1601	power cord 32 ft.
.35	4	4746B3841	15 amp GFI receptacle w/cover (wht.)
.35		4755-8321	20 amp GFI receptacle w/cover (wht.)
.20	5	4752-2371	20 amp receptacle w/cover (wht.)
.20	6	4752-2361	15 amp receptacle w/cover (wht.)
		4746A3851	receptacle box
	7	4752A8461	thermostat
.20	8	4756B8811	plastic base & bracket
.25	9	4753B9171	lp gas detector

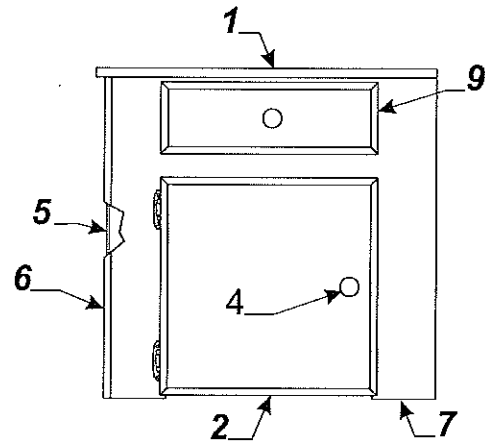
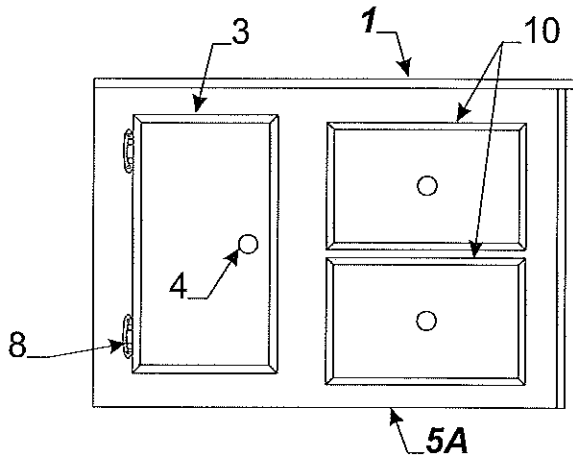


Flat Rate	Drawer Assy. Component Parts		
	Code	Part #	Description
.10	1	4748C3951	door pull w/screw
.50	2	4758A102	12" drawer slide LHD
.50		4758A103	12" drawer slide RHD
.50		4758A104	18" drawer slide LHD
.50		4758A105	18" drawer slide RHD
.50	3	4755A8861	20" drawer guide RT./LT
.50		4755A8821	14" drawer guide RT./LT
.25	4	4758A292	drawer guide brkt. 14" X 4 3/4"
.25		4758B173	drawer guide brkt. 12 1/4" x 8"
.15	5	4767-3601	thumb turn lock
.25	6	4757B8891	17" metal drawer guide
.10	7	4757-8911	drawer roller m2
.25	8	4758-8391	20" pvc i-beam drawer guide

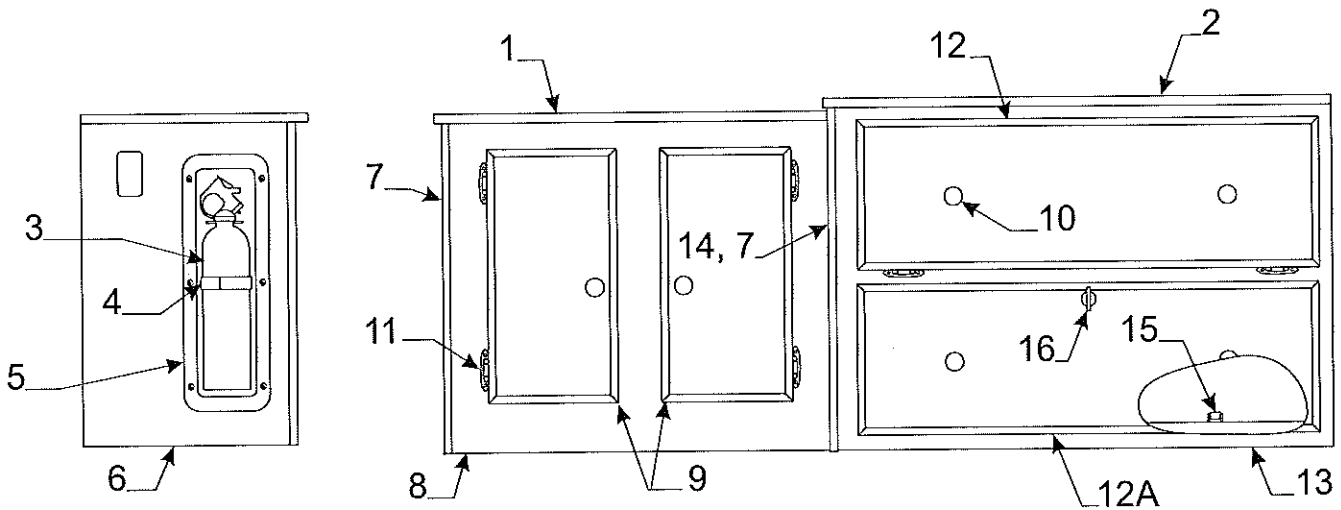




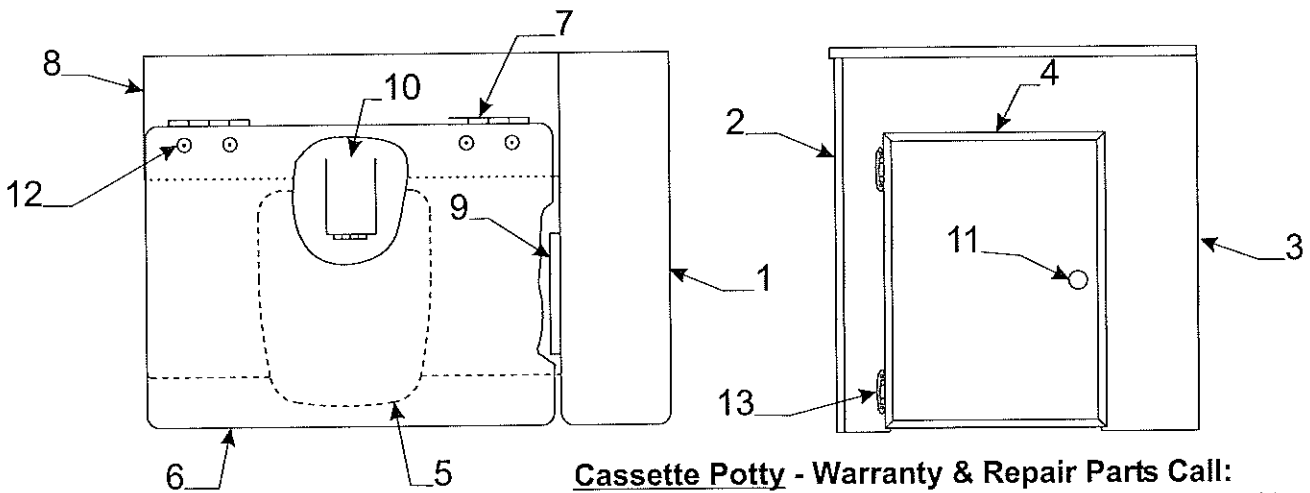
Flat Rate	Code	Part #	Description
.25	1	4767C2661	cabinet top
.35	2	4060137505P	3/8" f-channel 48" pc.
.10	3	4762-4878	hinge
.10	4	4748C3951	door pull (includes screw)
.30	5	4767C2651	cabinet side
.15	6	4758B3061	door pnl. 18 1/2" x 12"
.15	7	4737B4198	recessed mount
		4738-3088	screw x6
.10		4737A5558	fire extinguisher
.05		4716-1191	fire extinguisher strap m2
.15	8	4733-6391	latch & strike pkg.
.30	9	6010415696P	luan wood grain panel



Flat Rate	Code	Part #	Description	Flat Rate	Code	Part #	Description
.50	1	4758D2961	cabinet top 4196	.65	6	4060137505P	3/8" f-channel 48" pc.
.50		4767B4761	cabinet top 4189, 4181, 4178	.50	7	4754F8211	cabinet side 4196
.50		4756K0031	cabinet top 4150	.50		4759B0961	cabinet side 4189, 78, 81
.15	2	4758B4261	dr. pnl. 15 1/8" x 15 1/8" 4196	.50		4767A4801	cabinet side 4150
.15		4733-6391	latch & strike	.10	8	4762-4878	hinge
.15	3	4767A4771	dr. pnl. 16 3/4" x 8 3/4"	.15	9	4758B3081	drawer frt. 14 3/4" x 4 3/4"
.10	4	4748C3951	door pull w/screw	.10		4767D5451	drawer assy. 4196
.75	5	6010415696P	5/32" wood luan side 4196	.15	10	4767A3201	drawer frt. 13" x 8" 4150
.75	5A	4756F4671	cabinet front 4189, 78, 81	.10		4755A7681	drawer assy. 4150
.75		4756G0041	cabinet front 4150				



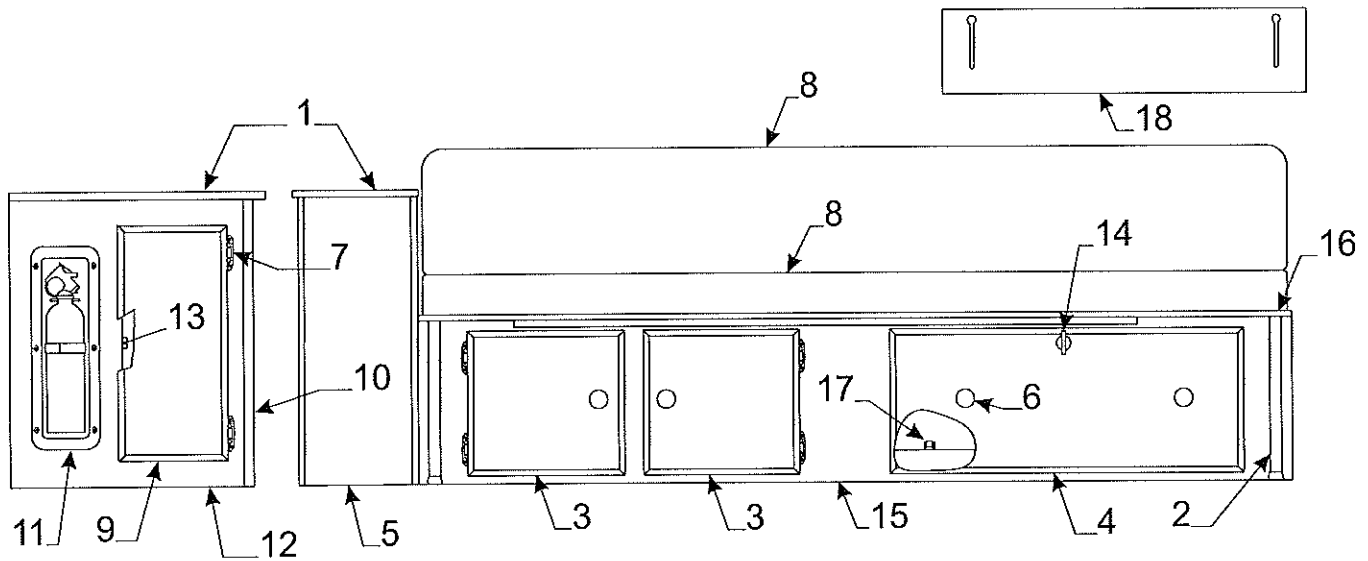
Curbside Hutch Assy. - 4189 Santa Fe							
Flat Rate	Code	Part #	Description	Flat Rate	Code	Part #	Description
.75	1	4767A9031	hutch top "left"	.10	10	4748C3951	door pull (includes screws)
.75	2	4759D1621	hutch top "right"	.10	11	4762-4878	hinge
.10	3	4737A5558	fire extinguisher	.15	12	4767B2401	door front 30 1/4" x 9 1/4"
.05	4	4716-1191	fire extinguisher strap m2	.15	12A	4767B24061	drawer front 30 1/4" x 9 1/4"
.15	5	4737B4198	recessed mount	.10		4754B7921	drawer assy. x1
		4738-3088	screw x6				<b>Note: refer to page 20 drawer components</b>
.55	6	4767B2331	hutch side	1.25	13	4754H0551	hutch front "right"
.65	7	4060137505P	3/8" f-channel 48" pc.	1.00	14	4767-904	center panel
.50	8	4754H0491	hutch front "left"	.10	15	4757-8911	drawer roller guide m2
.15	9	4767A4771	door pnl. 8 3/4" x 16 3/4"	.15	16	4767-3601	thumb turn lock



**Cassette Potty - Warranty & Repair Parts Call:  
Thetford - Phone # 1-800/354-4135**

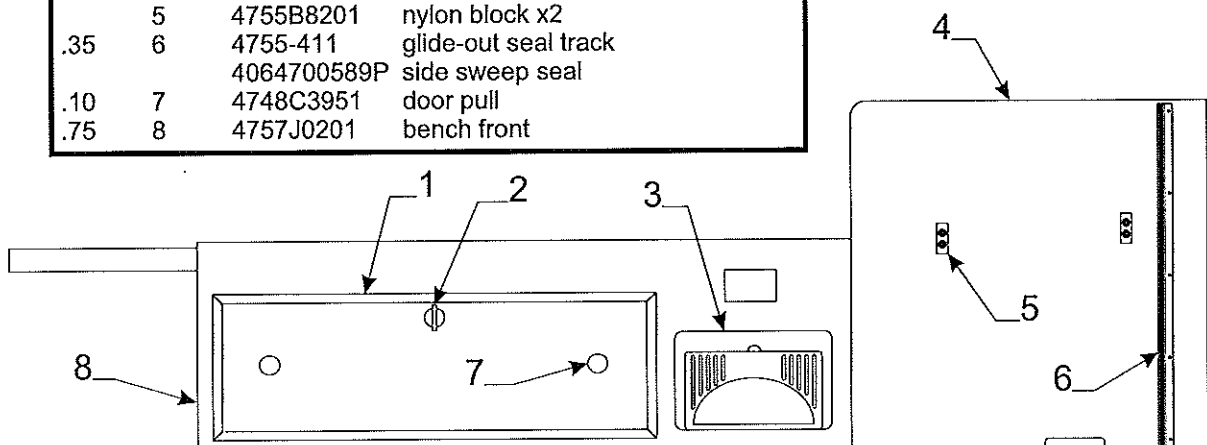
Potty Cabinet 4189, 4178, 4181							
Flat Rate	Code	Part #	Description	Flat Rate	Code	Part #	Description
.25	1	4758B3931	cabinet top	.20	7	4750-3921	lid hinge x2
.30		4060450008P	t-molding pkg. (12' pc.)	.10	8	4750F389	wood filler
.35	2	4060115605P	5/32" f-channel 48" pc.	.15	9	4750D391	wood lid support rt./lt.
.40	3	4751F996	cabinet side	.15	10	4755C6911	flip-up lid prop (metal)
.15	4	4758B3061	door panel 12" x 18 1/2"	.10	11	4748C3951	door pull w/screws
.75	5	4746D2461	elec. flush cassette potty	.05	12	4744D4601	5/8" headed rivet M25
.25	6	4767B0511	flip-up lid	.10	13	4762-4878	hinge
.30		4060450008P	t-molding pkg. (12' pc.)				

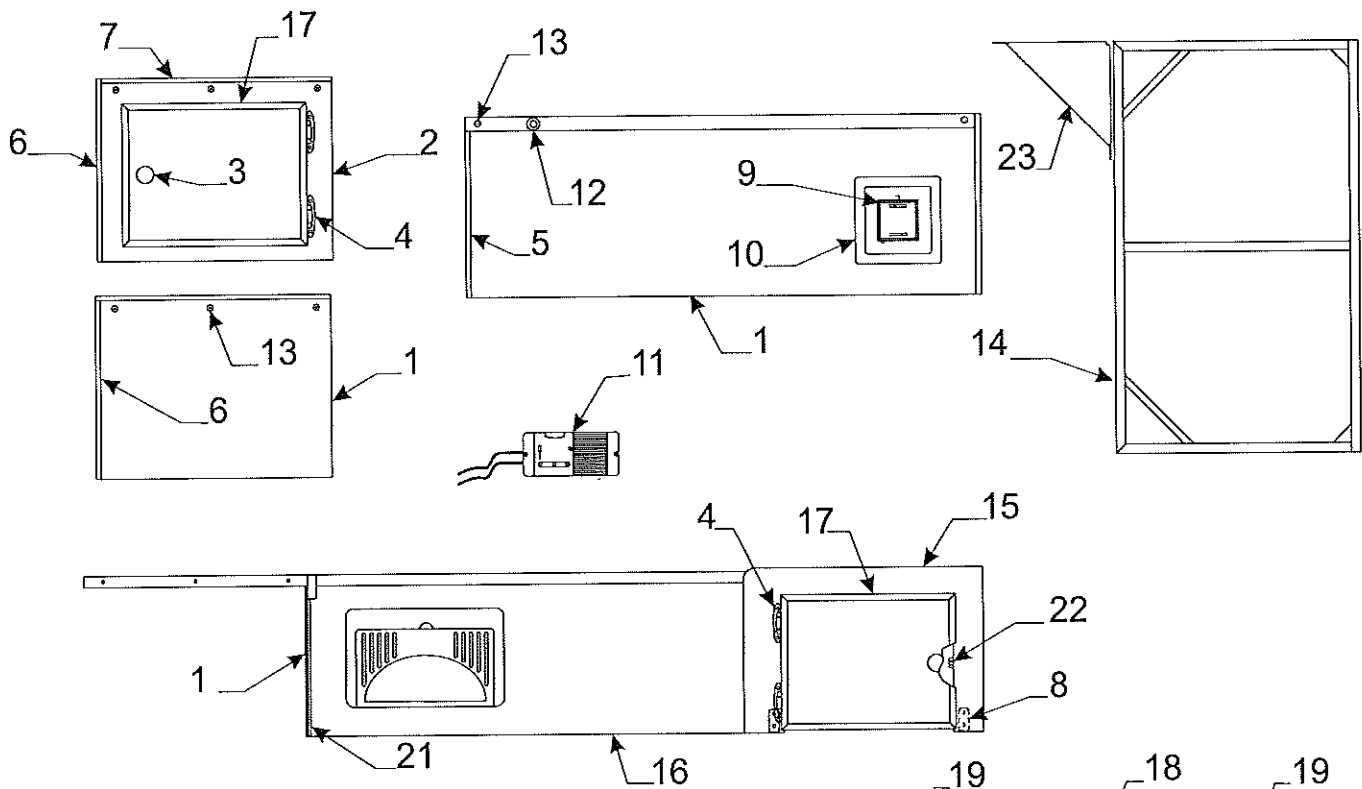




Flat Rate	Code	Part #	Description	Flat Rate	Code	Part #	Description
.25	1	4759C4401	cabinet top 4196	.15	9	4767A4771	door panel 8 3/4" x 16 3/4"
.25		4756K8241	cabinet top 4181	.65	10	4060137505P	3/8" f-channel (48" pc.)
.25	2	4758C6151	cushion leg x2		11	<b>Note: refer to page 22 fire extinguisher</b>	
		4756B1591	rivet m25	.50	12	4754M1621	cabinet side 4196, 4181
.05		4752-0551	plastic cap m2	.15	13	4733-6391	latch & strike pkg.
.15	3	4767A2371	door panel 13 3/8" x 12 1/4"	.15	14	4767-3601	thumb turn lock
.15	4	4758C8491	drawer frt. 30 1/4" x 9 1/4"	1.00	15	4754L1641	bench front 4196
.10		4759E6751	drawer assy. 4196, 4181	1.00		4702A0771	bench front 4181
		<b>Note: refer to page 20 for drawer components</b>			16	4755L556	platform w/legs 4196
1.25	5	4767A236	hutch front 4196			4769C515	platform w/legs 4181
1.25		4754M165	hutch front 4181	.10	17	4757-8911	drawer roller guide M2
.10	6	4748C3951	door pull (includes screws)	.40	18	4752B0341	bench top w/slots 4196
.10	7	4762-4878	hinge	.40		4759-1751	bench top w/slots 4181
	8	<b>Note: Refer to page 29 for this item</b>					

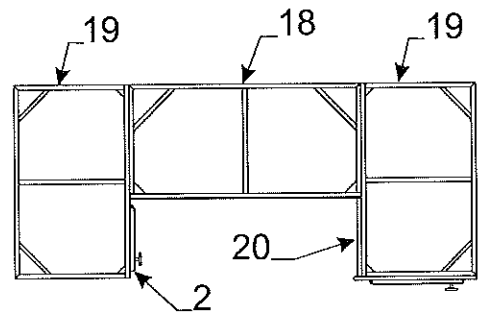
Flat Rate	Code	Part #	Description
.15	1	4758C8491	drawer front panel 30 1/4" x 9 1/4"
.10		4753N5451	drawer assy.
.15	2	4767-3601	chrome thumb turn
1.00	3	4753E8201	converter
1.00	4	4756D0011	gazoodi
.30		4060400093P	lipped t-molding (12' pc.)
	5	4755B8201	nylon block x2
.35	6	4755-411	glide-out seal track
		4064700589P	side sweep seal
.10	7	4748C3951	door pull
.75	8	4757J0201	bench front



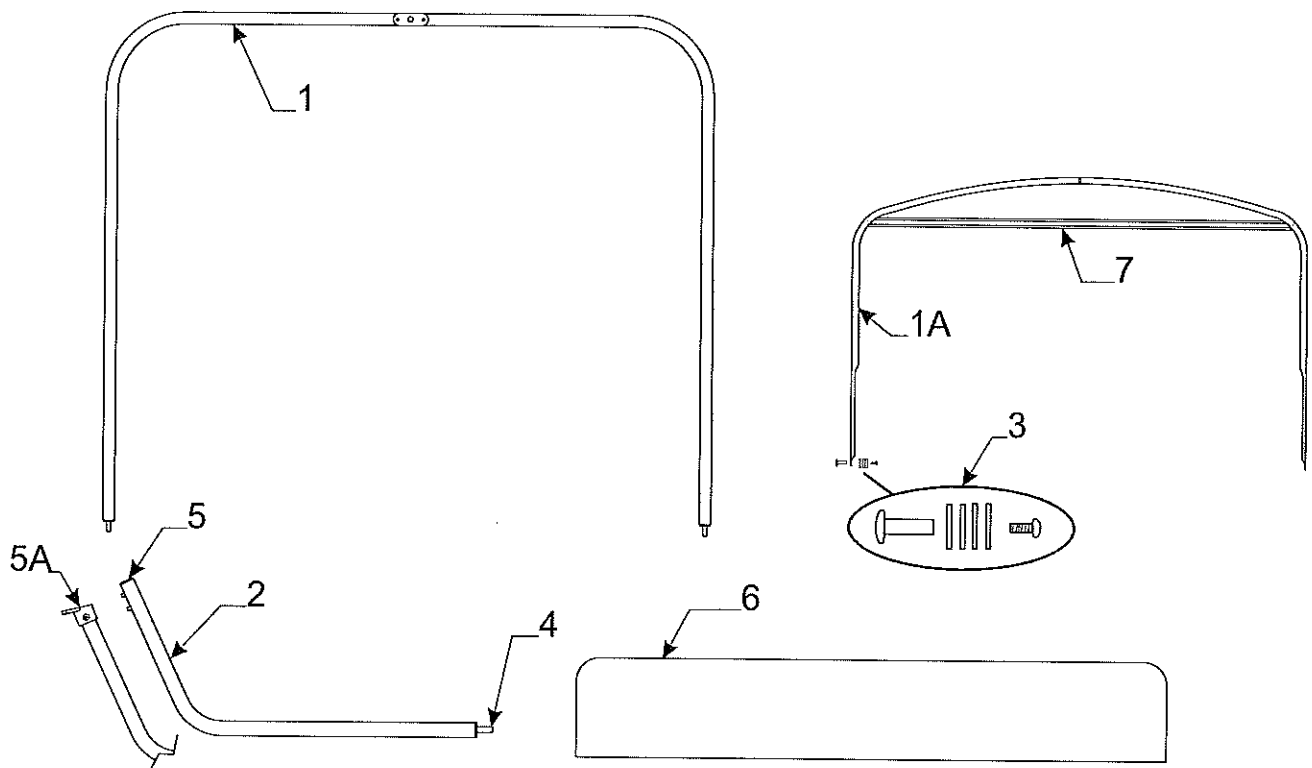


\* Warranted Through Vendor

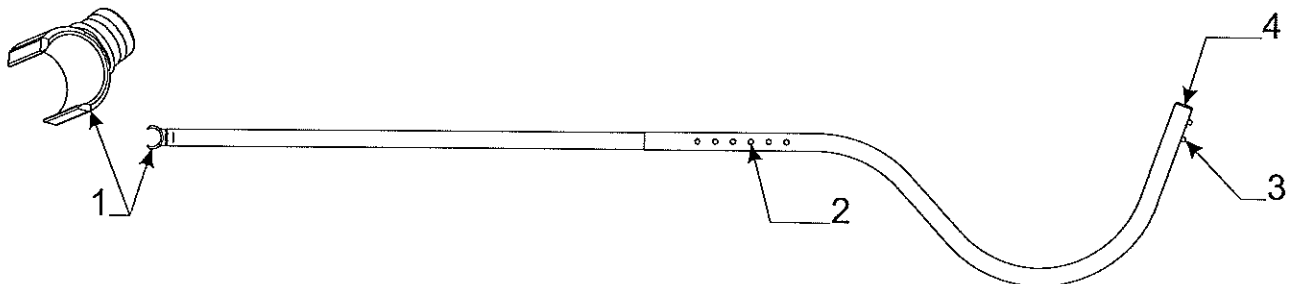
Flat Rate	Seat Bench Component Parts Code	Part #	Description
.30	1	6010415696P	universal luan panel 48" x 48"
.15	2	4758B4041	door panel 12" x 9 1/8"
.10	3	4748C3951	door pull w/screws
.10	4	4762-4878	hinge
.15	5	4060400379P	corner molding 48" pc.
.35	6	4060115605P	5/32" f-channel 48" pc.
.50	7	4060015604P	5/32" u-channel 48" pc.
	8	4734A3851	L-bracket
*	9	4752A8461	thermostat
.20	10	4756B8811	plastic base & bracket
.25	11	4753B9171	lp gas detector
.05	12	4724-2608	stop button
		1103B1012	#10 - 3/4" screw
	13	4734K1861	rivet m25
		1202B0268	washer
	14	4759B6021	glide-out bench frame x2
		4759B6021	dinette bench frame x2 - 4189, 4196
		4759B5961	dinette bench frame x2 - 4191
.35	15	4767A2551	seat end csf bench - 4191
.75	16	4767B256	center seat front - 4191
.15	17	4758B3131	door panel 10" x 14 1/4"
	18	4754A7951	center bench frame - 4191
	19	4755B7031	cs/rs bench frame - 4191
	20	4752E4731	pull-out cushion support "wood"
	21	4060000031P	sponge gimp pkg. (21' pc.)
	22	4733-6391	latch & strike pkg.
.15	23	4757G055	outside shower cover - 4189



Front wraparound bench view  
Model 4191 Sun Valley

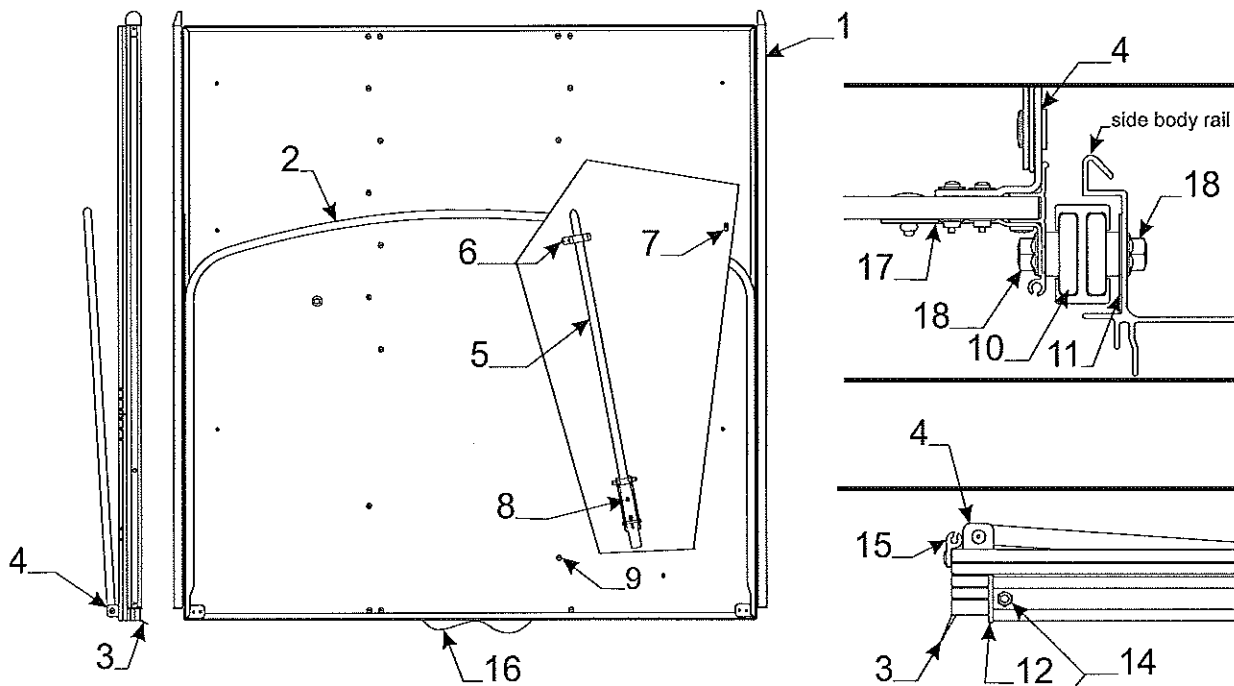


Tip-Out/Glide-Out Tent Bow - 4150, 4191, 4178, 4181			
Flat Rate	Code	Part #	Description
.10	1	4755B7101	tip-out tent bow assy. 4178 Bayside
.10		4759A5761	tip-out tent bow assy. 4191 Sun Valley
.10	1A	4756C2071	glide-out tent bow 4150, 4178, 4181
.05	2	4759B5751	tip-out tent support 4178, 4191
.05		4773B5131	glide-out tent support 4150, 4178, 4181
	3	4716-4451	glide-out bow mounting pkg.
.20	4	8470-1728	black pin m10
.10	5	4752A0561	tube closure "black" m2
.10	5A	4757-1351	tent support tip w/screw
.10	6	4757-4281	tip-out support board 4178 Bayside
.10		4755-0971	tip-out support board 4191 Sun Valley
.40	7	4757A8021	glide-out curtain track 4150, 4178, 4181
		1203-8951	rivet m25
.10	8	4734A6708	spring assy.



Tent Support Components			
Flat Rate	Code	Part #	Description
.20	1	4757-4301	tent support clasp m10
.10	2	4734-6708	spring assy.
.10	3	4734A6708	spring assy.
.10	4	4752A0561	tube closure "black" m2

Tent Support Assemblies (Complete)	
Flat Rate .10 per Tent Support	
King Beds	Double Beds
4772B6021	4759A6891



**Flat Rate .75 Bed assy. replacement**

4189, 4196	4759C5861	Rear Bed Assy. "Complete"(DOUBLE)
4150, 91, 78, 81	4759C5821	Rear Bed Assy. "Complete"(KING)
4150, 78, 96, 81	4759C5831	Front Bed Assy. "Complete" (KING)
4189, 4191	4759C5841	Front Bed Assy. "Complete" (KING)

Flat Rate	Front/Rear Bed Assy. Code	Components Part #	Description
*	1	4716U4031	bed extension (x2 per bed)
<b>Note: must cut to size if where applicable</b>			
.25	2	4714C1901	tent bow/leg package
.25	3	4060300339P	vinyl bed seal (8' pc. pkg.)
.15	4	4720K5631	bed bow bracket m2
		4757-9241	1 1/2" plastic fender washer m4
		1203C8721	steel rivet m25 (affix bow to brkt.)
		1016B10148	machine screw x2 per brkt.
		1201B6958	wiznut x2 per brkt.
.20	5	4759A5881	rear bed leg assy. (double bed)
.20		4759A5871	rear bed leg assy. (king bed)
.20		4759B5901	frt. bed leg assy. 4150, 96, 78, 81
.20		4759A5891	frt. bed leg assy. m2 4189, 4191
.15	6	4757-4331	bed leg clip
		1203-8831	rivet m25 (rivet clip to bed)
.15	7	4720D4021	lashing hook m6
		1203-8741	rivet m25 (rivet hook to bed)
.25	8	4757-4471	slotted support plate 7 1/2"
.20		4714-4521	mounting screws (pkg. of 3 each)
	9	1203C8721	rivet m25
.50	10	4754-8101	bed roller, nut, bolt, & washer pkg.
	11	1202B2908	washer
.15	12	4754-8631	bed slide end cap
.15	13	4754-4821	bed slide wedge
.20	14	1034B16128	flat head screw
		1201B6378	lock nut
.50	15	4758-8301	bed end retainer track & rivets
.20	16	4758-9481	pull-out handle strap & rivets
		4758-8001	rivet "black" m25
.20	17	4755A2591	bed brkt. w/hardware x4
	18	4739-2298	lock nut

\*\* .50 first extension  
\*\* .25 second extension

**Flat Rate .50 per cover**  
**Flat Rate .10 Matt assy.**

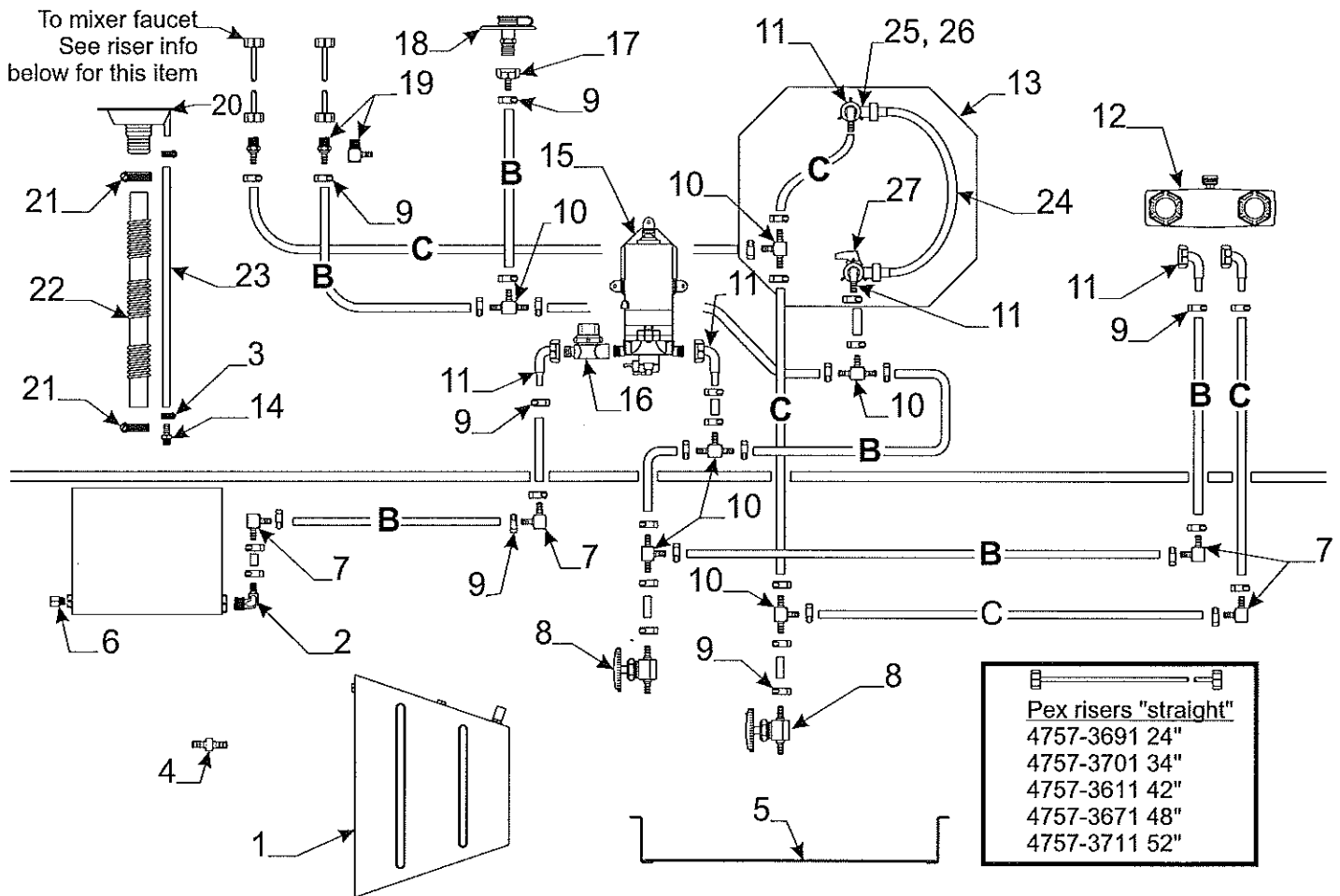
**Quilted Mattress Assembly & Covers**

**KING Mattress Assy. - 4757J6421**  
**KING Mattress Cover. - 4714J6421**

**DOUBLE Mattress Assy. - 4757K5091**  
**DOUBLE Mattress Cover - 4716K5091**

**Mattress Assembly Dimensions**

**KING Mattress Size - 77" x 70" x 3 1/2"**  
**DOUBLE Mattress Size - 77" x 48" x 3 1/2"**



**B** 4060050006P 3/8" I.D. Pex tubing "cold" (20' pc. pkg.)  
 4066550013P 1/2" I.D. Pex tubing "cold" (20' pc. pkg.)

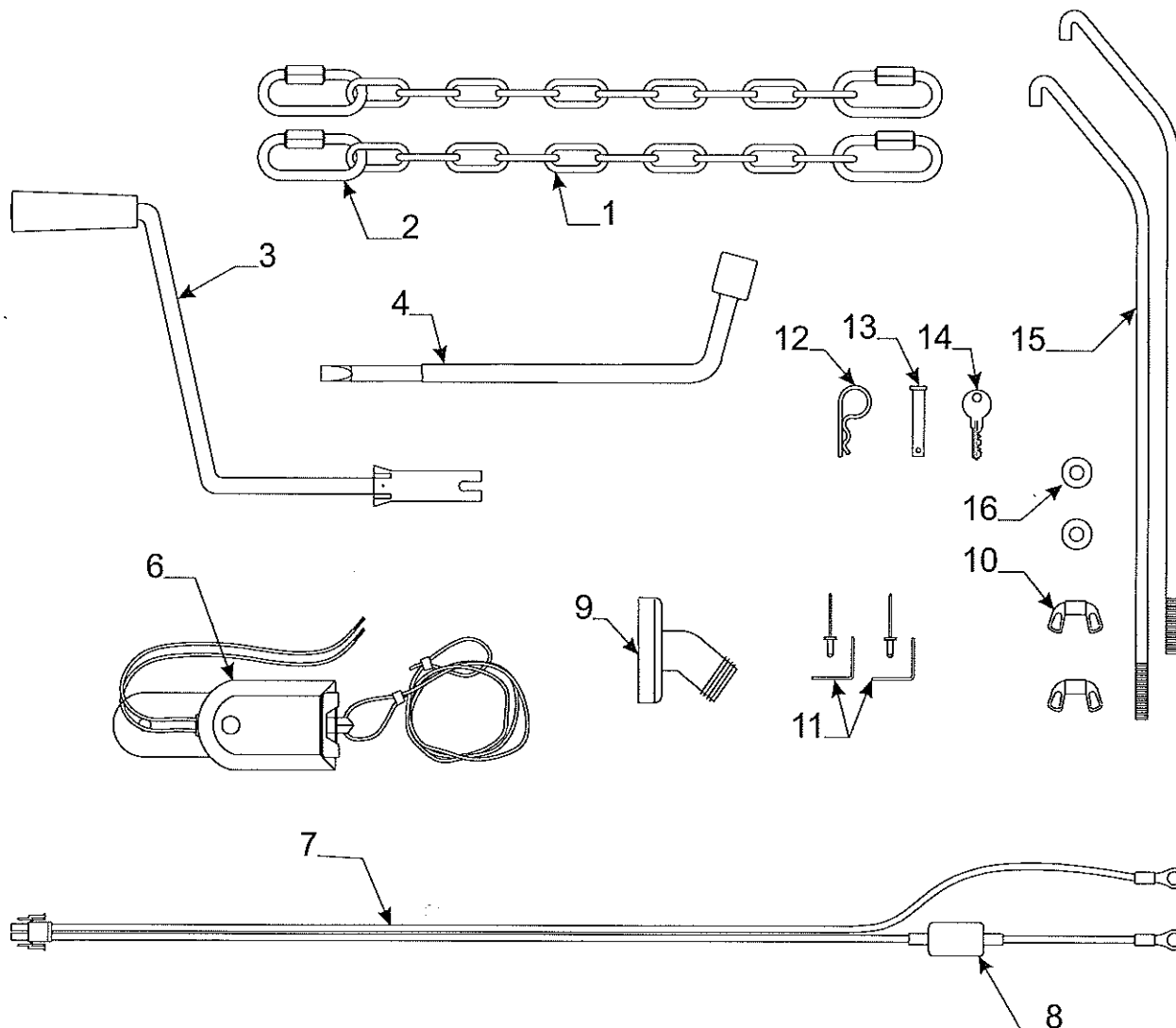
**C** 4060050007P 3/8" I.D. Pex tubing "hot" (20' pc. pkg.)  
 4066550014P 1/2" I.D. pex tubing "hot" (20' pc. pkg.)  
 4714-038 3/8" I.D. High pressure hose (sold/foot)

**Pex risers "straight"**  
 4757-3691 24"  
 4757-3701 34"  
 4757-3611 42"  
 4757-3671 48"  
 4757-3711 52"

**Pex risers "w/90° elbow"**  
 4757-3811 48"  
 4757-3831 52"  
 4757-3661 59"

Flat Rate	Code	Part #	Description	FR	Code	Part #	Description
1.50	1	4757B0471	water tank 20 GAL.	.50	12	4741B2071	shower diverter
.25	2	4741C2371	3/8" X 1/2" elbow "plastic"	*	13	4750-3421	water heater
.25		4741A2378	1/2" X 1/2" elbow "plastic"	.15	14	4732B4561	hose adapter
	3	4731-3058	adjustable hose clamp 3/8"	.50	15	4741F5571	electric water pump
	4	4755-4821	3/8" brass barbed union m10	.25	16	4747A8311	water filter
.20	5	4758-5381	tank hanger x2 (all)	.20	17	4741A9561	3/8" straight swivel adapter
.15	6	1218-7001	plug	.20		4765-2321	1/2" straight swivel adapter
.25	7	4741C2391	3/8" X 3/8" brass elbow m2	.30	18	4732F1521	city fill
.25		4765-2341	1/2" X 1/2" brass elbow	.20	19	4757-3631	brass adapter 3/8" barb
.20	8	4741E2361	3/8" brass line drain "Pex"	.30	20	4731D1711	fill spout
.20		4765-2311	1/2" brass line drain "Pex"		21	4715-4501	adjustable hose clamp
.25	9	4741A2751	3/8" ss clamp m100	.35	22	4731H1081	water fill hose (3' pc.)
.25		4765-2351	1/2" ss clamp m100	.20	23	4060050003F	1/2" h.p. hose (sold/ft.)
25	10	4741C2381	3/8" brass tee "Pex" m10		24	4767-1381	nylon bypass hose 8"
25		4765-2331	1/2" brass tee "Pex"		25	4767-1371	1/2" MPT brass tee
.20	11	4741B9061	3/8" copper swivel elbow		26	4767-1391	brass check valve
.20		4765-2361	1/2" copper swivel elbow		27	4767-1401	3 way MPT shut off valve

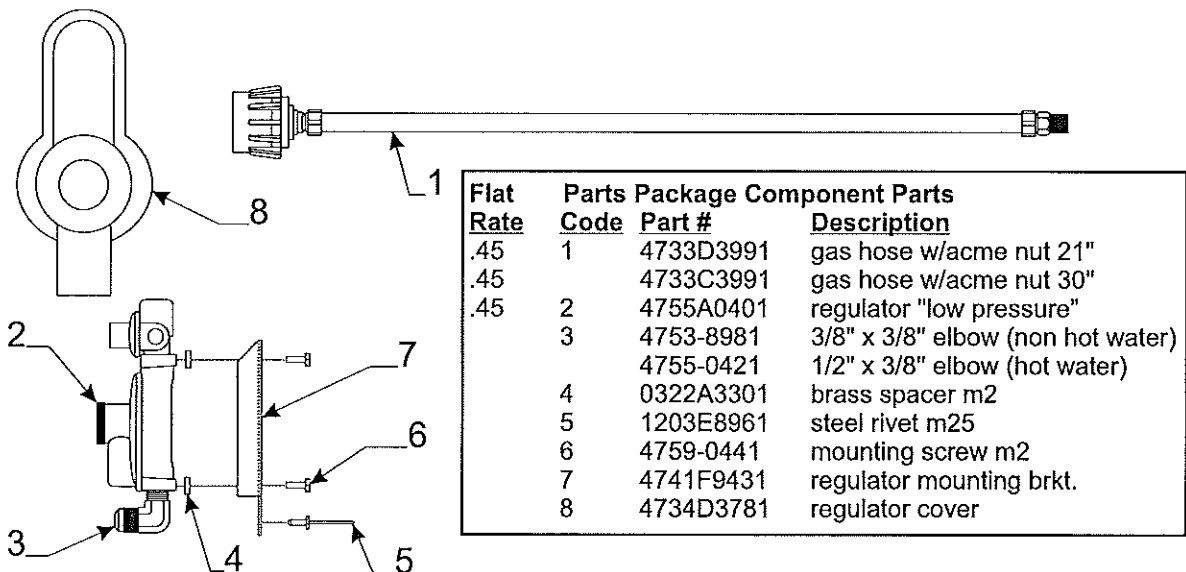
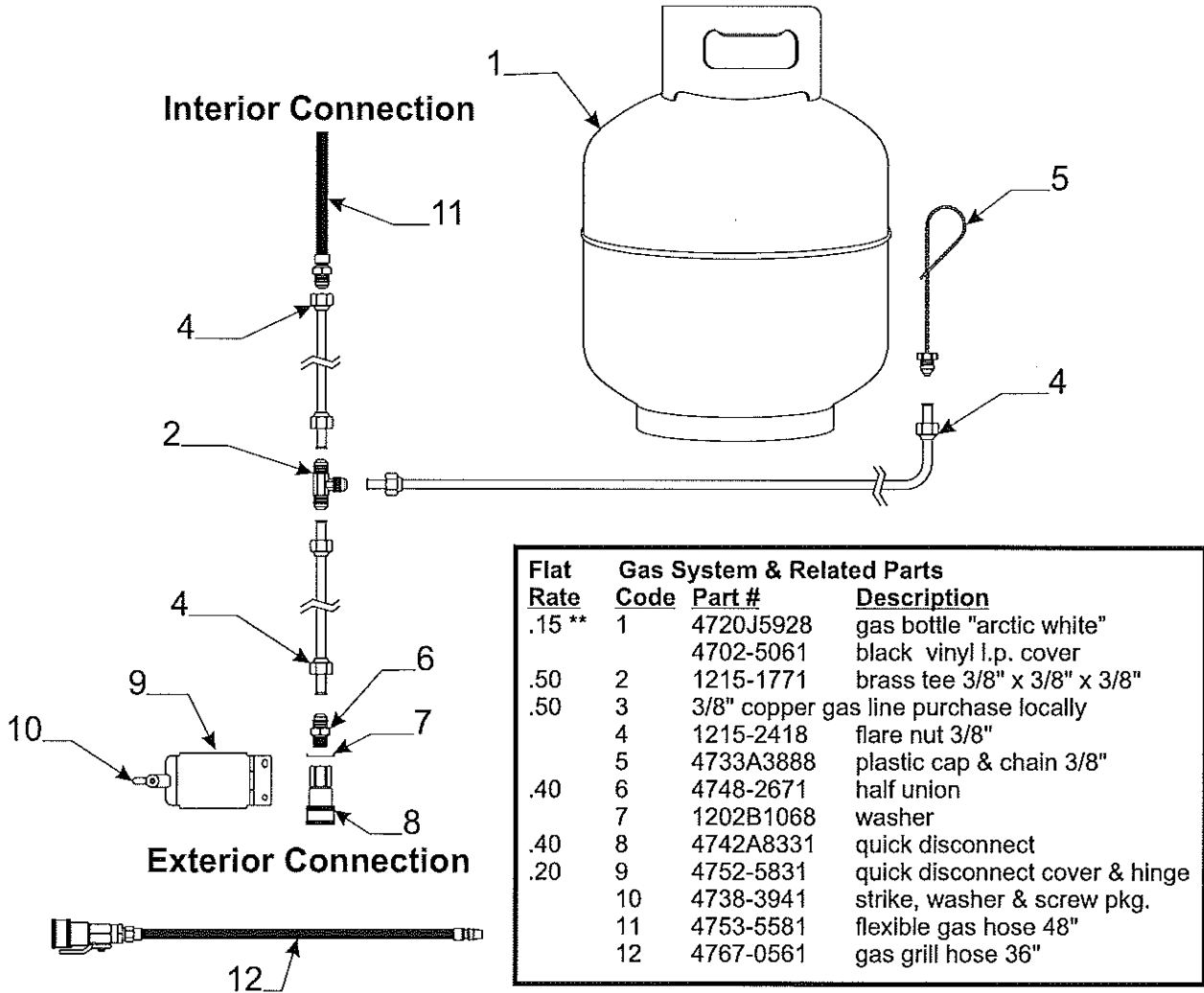
\* Warranted By Vendor



### 4750L6111 Parts Package (All)

Parts Package Component Parts		
Code	Part #	Description
1	4757-3901	29" tow chain w/quick links m2
2	4757-3891	quick link (sold/signally)
3	4747G4141	crank handle
4	4749A1861	lug nut wrench
5	4746-5381	winterizing adapter
6	4746-0401	breakaway switch
7	4749B5531	battery harness w/15 amp breaker m2
8	4751-4811	15 amp circuit breaker
9	4737-9138	drain adapter
10	1201-6258	wing nut x2
11	4753E6781	battery angle pkg.
12	4732A4791	safety pin m10
13	4771-2631	hitch pin m5
14	4730B3211	key m10 # 8025 (gold plated)
	4716-7511	outside shower key m2 #Ch751
15	4733G6281	gas bottle mounting brkt. pkg.
		Note: pkg. includes (2) wing nuts, washers
16	1202B0468	washer x2 m10

**\*\* Serial Number Of Gas Bottle Must Be Supplied When Submitting Warranty**



Dinette Area Cushion/Backrest Assemblies & Covers - 2007 Americana Series Flat Rate .10 Assembly - .25 Cover

Model	Cushion Assy.	Cushion Cover	Model	Backrest Assembly	Backrest Cover
4189,96,50,78,81	4754M5241	4714M5241	4189, 4196	4754M5231	4714M5231
4191	4756L5631	4714L5631	4150, 4178, 4181	4757K5591	4714K5591
			4191	4758J5741	4714J5741

Plastic Cushion Button x2 - 4710-2681 m5

**Curbside Couch Cushion & Backrest - 4196, 4181**

Model	Cushion Assy.	Cushion Cover
4196	4758G6191	4714G6191
4181	4769C5311	4714C5311

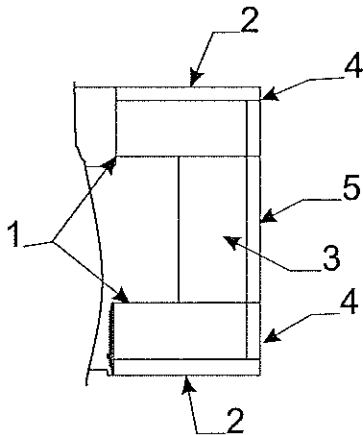
Model	Backrest Assy.	Backrest Cover
4196	4758G6201	4714G6201
4181	4769C5301	4714C5301

**Dinette Cushion/Backrest Dimensions**

Part #	Cushion Assembly
4754M5241	43 1/4" x 19 3/8" x 4"
4756L5631	39 1/2" x 18" x 4"

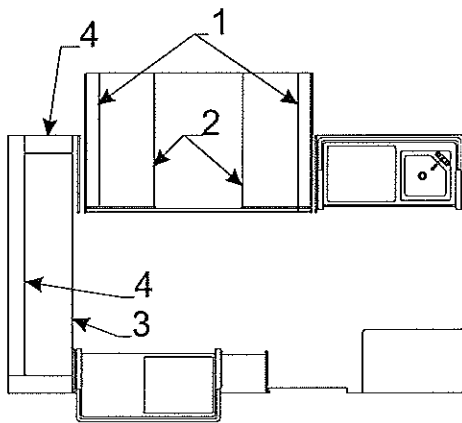
  

Part #	Backrest Assembly
4754M5231	43 1/4" x 16 3/8" x 4"
4757K5591	42 1/4" x 15 5/8" x 4"
4758J5741	38 1/2" x 15 3/4" x 4"



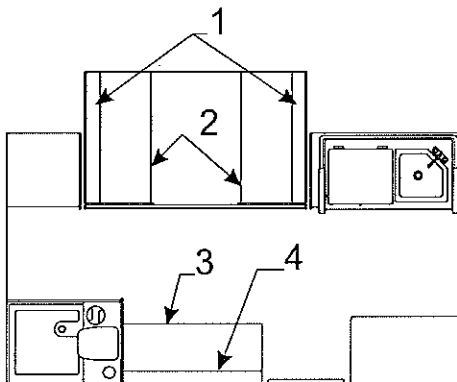
Flat Rate .10 Assembly - .25 Cover

Flat Rate	Cushion & Backrest Assy.'s - 4191 Sun Valley
	Code Part # Description
.10	1 4753N6021 cushion assy. 41" x 19 3/8"
.25	4714N6021 cushion cover
.10	2 4753M6071 backrest assy. 41 3/8" X 11 3/8"
.25	4716M6071 backrest cover
.10	3 4757-7411 cushion assy. 41 3/8" x 19"
.25	4714-7411 cushion cover
.10	4 4756L5401 backrest assy. 14" x 11 3/8"
.25	4716L5401 backrest cover
.10	5 4759H5791 backrest assy. 41 3/8" x 15 3/4"
.25	4716H5791 backrest cover



Flat Rate .10 Assembly - .25 Cover

Flat Rate	Cushion & Backrest Assy.'s - 4178 Bayside
	Code Part # Description
.10	1 4757K5591 backrest assy. 42 1/4" x 15 5/8 x 4"
.25	4714K5591 backrest cover
.10	2 4754M5241 cushion assy. 43 1/4" x 19 3/8" x 4"
.25	4714M5241 cushion cover
.10	3 4757H6591 cushion assy. 80 1/4" x 21 1/4" x 4"
.25	4714H6591 cushion cover
.10	4 4757H6581 backrest assy. 72 1/4" x 14" x 5"
.25	4714H6581 backrest cover
.10	5 4755B7091 arm rest 21 1/4" x 14" x 5"
.25	4714B7091 arm rest cover



Flat Rate .10 Assembly - .25 Cover

Flat Rate	Cushion & Backrest Assy.'s 4150 Williamsburg
	Code Part # Description
.10	1 4757K5591 backrest assy. 42 1/4" x 15 5/8 x 4"
.25	4714K5591 backrest cover
.10	2 4754M5241 cushion assy. 43 1/4" x 19 3/8" x 4"
.25	4714M5241 cushion cover
.10	3 4757H6761 cushion assy. 49 3/16" x 25" x 4"
.25	4714H6761 cushion cover
.10	4 4757H6771 backrest assy. 47" x 14" x 5"
.25	4714H6771 backrest cover



<b>Sunbrella Tenting &amp; Components</b>			
<u>Flat Rate</u>	<u>Code</u>	<u>Part #</u>	<u>Description</u>
.50	1	4768B5181	king tent boot
.50	2	4768B5171	double tent boot
.20	3	4759D5241	large window 4189 Santa Fe, 4196 Cheyenne
.20		4759E5721	large window "w/tip-out" 4191 Sun Valley
.40		4756K6751	large window "w/glide-out" 4150, 4178, 4181
.20	4	4759E5251	small window 4189 Santa Fe
.20		4754A7821	small window 4196 Cheyenne
.20		4756G6761	small window 4150 Williamsburg, 4181 Utah
.20		4758E6771	small window 4191 Sun Valley
.20		4757L5871	small window "w/tipout" 4178 Bayside
.15	5	4759F5261	door seal 4189 Santa Fe
.15		4754A7811	door seal 4196 Cheyenne
.15		4756H6771	door seal 4150 Williamsburg, 4178 Bayside, 4181 Utah
.15		4758E6861	door seal 4191 Sun Valley
	6	8118501430P	top vinyl pkg. (85" x 3 yards)
	7	4716C0851	sunbrella patch package (12" x 14")
	8	6650500131F	zipper (sold/yard) used around window
		1225A4461	zipper pull m5
	9	8118001439P	bottom vinyl facing pkg. "blue" (3 yd. x 80")
	10	4714E1611	screen package (84" x 3 yards)
		4714A0361	screen package (84" x 13 yards)
	11	4350000009P	1" velcro hook (10' pc. Pkg.)
	12	4716-2401	clear window vinyl (41" x 2 yards)
	13	1225-3678	47 1/2" side zipper pin half
		1225-3688	47 1/2" side zipper slider half
.50	14	4060000245CP	shock cord (150' package)
.50		4714C6021	shock cord & hooks m2 (two 14' lengths)
.15		4724A2011	shock cord termination (plastic hook) m10
	15	4060000024F	arrowhead seal (sold/foot)
.30	16	4735D6721	extension harness
.50	17	4743-1588	k-kote seam sealer
	18	4728-5641	tent retainer pkg.
.30	19	4710-1001	vinyl daubing "white" m2
.30		4710-1011	vinyl daubing "grey"
.30		4710A1021	vinyl daubing "blue" m2

**Drape Package (Less Valance Pkg.) Flat Rate .30**

**Note: Package includes privacy curtains**

<u>Model</u>	<u>Drape Pkg.</u>	<u># Of Panels</u>
4189 Santa Fe	4754N5711	9
4196 Cheyenne	4754M5501	9
4191 Sun Valley	4755M6181	11
4178 Bayside	4755M2981	13
4150, 4181	4757L5531	13

**Drape Tab C-Shape m60 - 4750-2891 Flat Rate - .05**

**Privacy Curtain Pkgs. (Set of 2 Panels)**

.15 4713-2981 - (all models)

**Single Drape Panel w/Safety Straps**

.15 4713-1481	Single Drape Panel 48 1/2" x 47"
.15 4713-1431	Single Drape Panel 43" x 47"
.15 4713-1351	Single Drape Panel 35" x 47"
.15 4713-1261	Single Drape Panel 26" x 47"
.15 4713-1221	Single Drape Panel 21 1/2" x 47"

**Tip-out valance - 4757F4951 - 4191, 4178  
Flat Rate - .20**

**Drape Tie Package (Qty. 1) - 4767-8371 (all)  
Flat Rate - .05**

**Dressing Room Curtain - Flat rate - .20  
4756J6331 - 4150 Williamsburg**

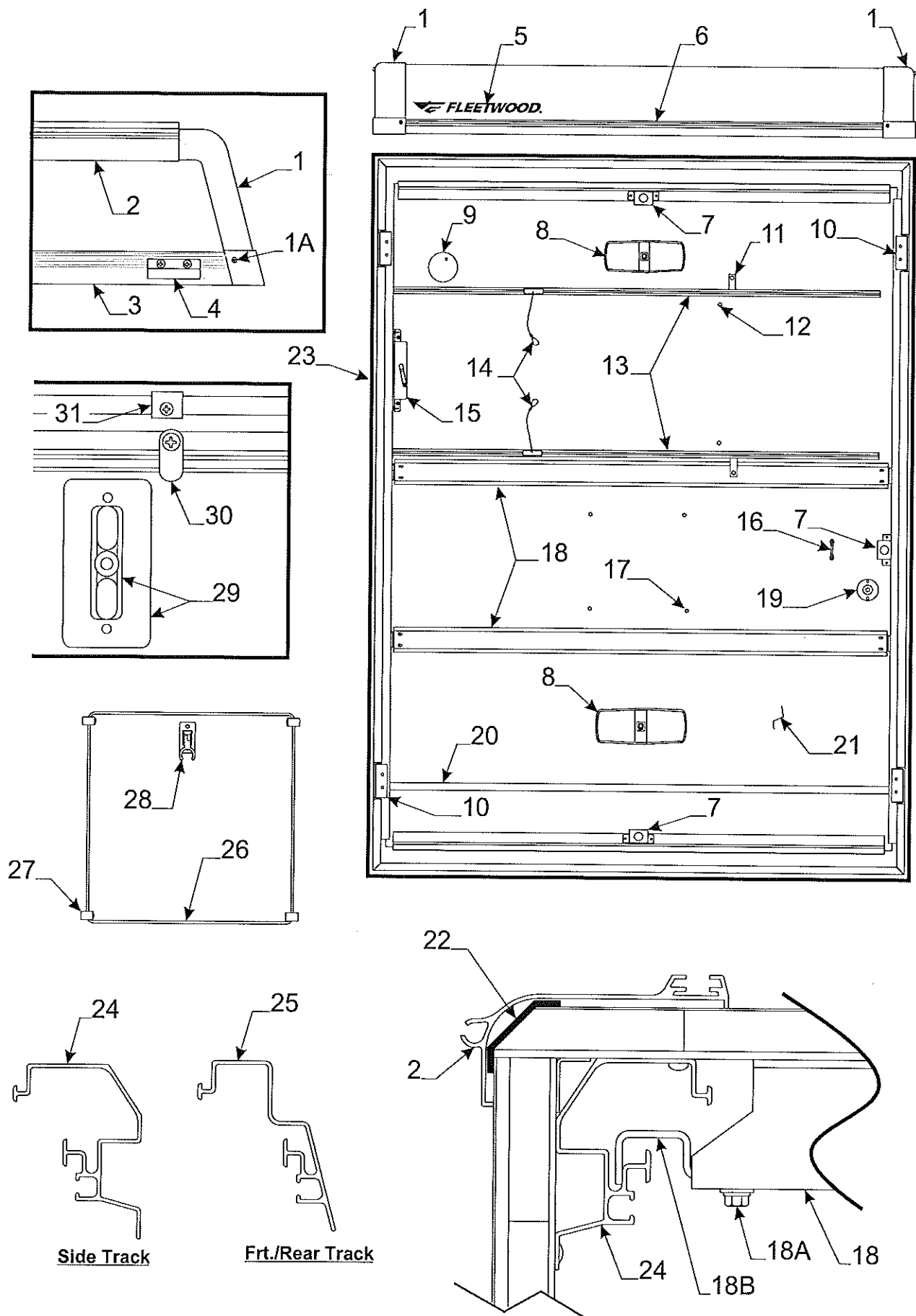
**Shower Curtain "Vinyl" 4757-7301- 4150 Williamsburg  
Flat Rate - .20 4748-8161 shower curtain clip m10**

**Valance Package - Flat Rate - .25**

4768D6181 - 4189 Santa Fe  
4768D6171 - 4196 Cheyenne  
4755B7481 - 4191 Sun Valley  
4757A7041 - 4178 Bayside, 4181 Utah  
4768-0711 - 4150 Williamsburg

**Glide-Out Curtain & Valance - Flat Rate - .20  
4714M5531 - 4150, 4178, 4181**

**Potty Curtain Pkg. 4189, 4178, 4181 - 4756K8401  
(Factory Installed CSF Potty Cab.)  
Flat Rate - .20**



4768E5021 Top Assembly 4189 Santa Fe  
 4768E5031 Top Assembly 4196 Cheyenne  
 4768E5061 Top Assembly 4191 Sun Valley  
 4768C5251 Top Assembly 4150 Williamsburg  
 4768F5221 Top Assembly 4178 Bayside  
 4755B7491 Top Assembly 4181 Utah

3.00 Top Replacement | 1.50 For A/C | 1.00 For Crossbars | .50 For Disposal

<u>FR</u>	<u>Code</u>	<u>Part #</u>	<u>Description</u>
.50	1	4713-9011	plastic corner cap csf/rsr (1 cap per pkg.)
.50		4713-9001	plastic corner cap rsf/csr (1 cap per pkg.)
		4356500043P	butyl tape 1" x 3/16" (20' pc.)
		4350000022F	foam tape 1/2" wide x 1/4" thick (sold/foot)
		4759-1401	flat head screw 3/4" "stainless steel" x2, M12
	1A	4767-9001	flat head tek screw 3/4" "white" x2, M12
	2	4767A909	canopy/rack track extrusion 4150, 4191, 4181, 4178
		4767A937	canopy/rack track extrusion 4189, 4196
	3	4767A913	side seal extrusion 4150, 4191, 4181, 4178
		4767A934	side seal extrusion 4189, 4196
.15	4	4750A9581	top strike m2, M12
		4744C2461	torx head screw "painted" m12
		1201B6958	nut (x2 per strike)
		4702-2961	strike foam gasket m4
.25	5	4761-1958	Fleetwood logo
	6	4767-9141	end seal extrusion frt./rear (all)
	7	4767A9081	tent support bracket x2
		4733F41361	screw m12
.15	8	4744E4741	double light
		4758-1361	dome light lens
		1103B1028	screw x4
.15	9	4767-4641	carbon monoxide detector 12v battery only
.15		4767A4641	carbon monoxide detector w/ wires & battery backup
	10	4767-7001	lift pocket x4
		1201B6378	lock nut 1/4-20
.15	11	4723A5061	strap x2
	12	4730A3548	stud w/screw x2
.30	13	4733H47181	screen door track x2
		4744B4611	expansion rivet m25
.15	14	4734D5211	screen door cable m6
.20	15	4749C5571	screen door bracket
		4747-2558	expansion rivet m25
		4749-2138	snap button m2
		1203-8631	rivet m25
	16	4733B4511	steel loop m2
		4350000125P	3" x 4" flextrud white tape
	17	1203-9258	plastic accordion rivet m25
	18	4800-4811	a/c brace
	18A	4738A0898	hex bolt
		1202E0408	washer
	18B	4800-6861	a/c brace mounting bracket x2
	19	4756A8291	aux. light jack w/rivets
.20	20	4350400004F	vinyl seam tape (sold/foot)
	21	6009435020P	ceiling panel 4' x 8' sheet
	22	4350000047	1/8" x 2 1/2" eterna-bond tape (sold/roll)
.50	23	4060100399P	rubber top seal "sides" (40' package)
.50		4060100398P	rubber top seal "frt./ rear" (16' package)
	24	4767-911	side tent/drape track (must cut to size)
	25	4767-910	frt./rear tent/trape track (all)
.10	26	4755A5231	shower curtain rod
.20	27	4755-5211	shower rod strap x4
.15	28	4767-0111	shower head brkt.
.15	29	4743A2501	screen door latch & plate assy. (2 per pkg.)
.20	30	4728A5641	tent retaining pkg.
.05	31	4750-2891	drape tab c-shape m60