



**2006**

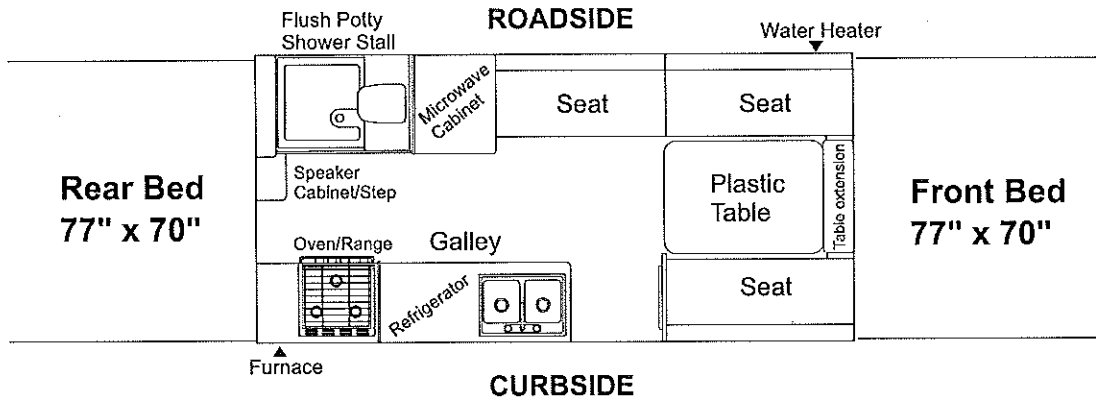
**Highlander Series**  
**Repair Parts Catalog**

4031 Sequoia 14'

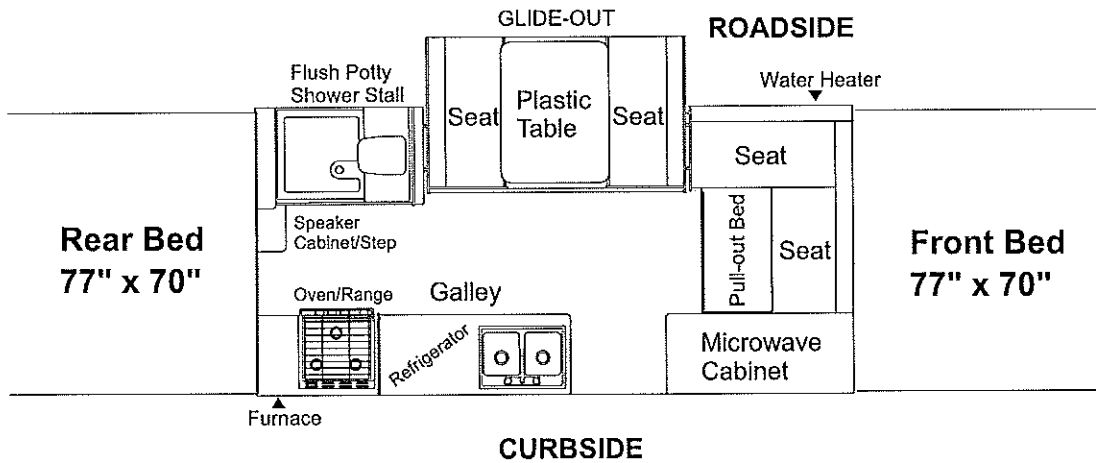
4033 Niagara 14'

# 2006 HIGHLANDER SERIES

## 4031 Sequoia 14'



## 4033 Niagara 14'

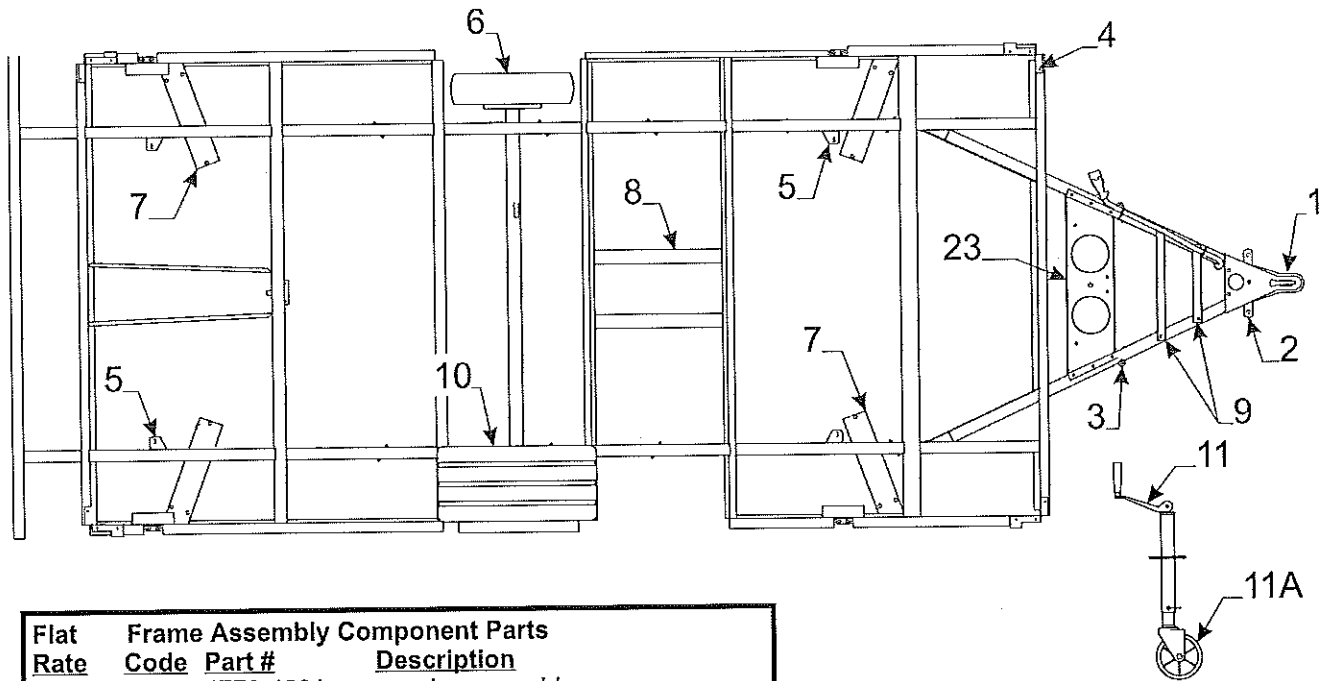


## TABLE OF CONTENTS

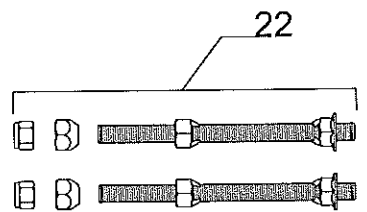
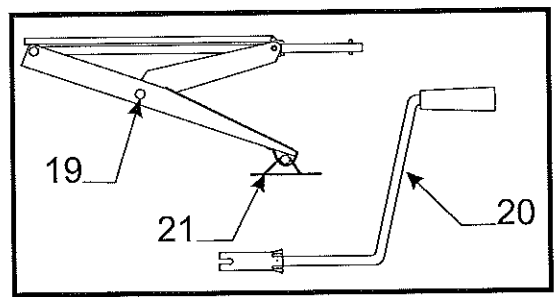
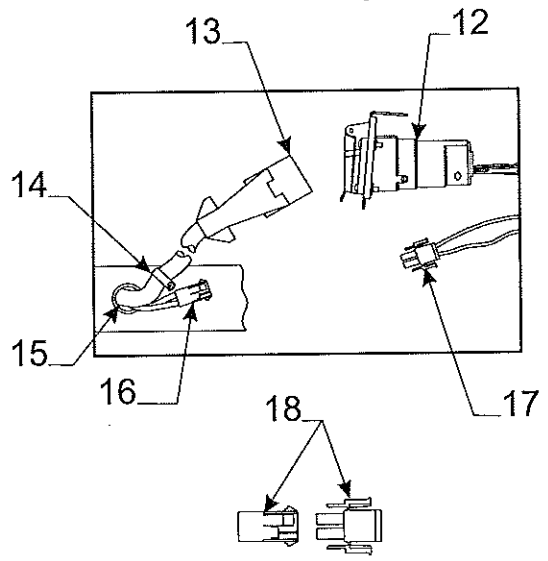
<u>DESCRIPTION</u>	<u>PAGE</u>
Access door key .....	26
Access door assembly & related parts .....	7
Auto extension .....	21
Axle assemblies & related parts .....	3
Backrest assemblies & covers .....	28
Bathroom area components .....	18, 19
Bed assemblies.....	22
Bed extensions & related parts .....	22
Body panel right rear (curbside) .....	8
Body panel roadside - <b>Sequoia</b> .....	10
Body panel roadside glide-out - <b>Niagara</b> .....	11
Body panel front & rear .....	6
Body panel right front (curbside) .....	9
Bumper & related parts .....	6
Cabinet assy. csf microwave cabinet - <b>Niagara</b> ..	17
Cabinet assy. rsr microwave cab. - <b>Sequoia</b> .....	19
Caulking .....	21
Converter & related parts .....	20
Corner bulkhead assembly .....	2
Coupler assembly .....	2
Crank-up/crank-down components .....	5
Crank handle .....	26
Cushion assemblies & covers .....	28
Door bulkheads .....	7
Drain assy. (used on sinks) .....	13
Drape packages & related parts .....	29
Drawer assembly components .....	20
Electric brakes & related parts .....	3
Fire extinguisher & components .....	12
Floor covering .....	2
Flush potty .....	19
Frame assembly & related parts .....	2
Gas detector .....	20
Gas hose (gas bottle hook-up) .....	27
Gas bottle mounting brackets .....	26
Gas quick disconnect (outside gas hookup) .....	27
Gas bottle cover (plastic/diamond plate) .....	14
Gas bottle cover (black vinyl) .....	27
Gas bottle & related parts .....	27
Glide-out curtain/valance .....	29
Glide-out tent bow/tent support .....	23
Grease cap (dust cap) .....	3
Hub assembly & related parts .....	3
Kill switch .....	21
Lift assemblies & related parts .....	4
Lift trim & miter covers .....	8, 9
Galley components - <b>Sequoia, Niagara</b> .....	12
Lug wrench .....	26
Mattress assemblies & covers .....	23
Microwave .....	17, 19
Outside shower assy. ....	10, 11
Oven/Range .....	12, 13
Paint (spray & quart can) .....	21
Paneling & trim .....	21
Parts package & components .....	26
Pigtail (car end) .....	2
Potty (flush potty) .....	19
Potty/shower cabinet .....	18, 19

<u>DESCRIPTION</u>	<u>PAGE</u>
Power cord (converter) .....	20
Radio/CD player .....	12, 17
Radio Antenna .....	12, 17
Receptacle (exterior) .....	8
Receptacle (interior) .....	20
Refrigerator vents .....	8
Regulator & fittings .....	27
Rock guard (frt. body panel) .....	6
Safety chains .....	26
Screen door & related parts .....	24
Seat bench component parts .....	15, 16
Seat components (glide-out) - <b>Niagara</b> .....	11
Shower curtain .....	29
Shower curtain rod .....	30, 31
Shower stall w/potty .....	18, 19
Shower head & hose .....	19
Shower (Outside shower assy.) .....	10
Sink .....	12
Sink drain & related parts .....	13
Spare tire cover (black vinyl) .....	2
Spare tire mount package .....	2
Speaker .....	17
Stabilizer assembly .....	2
Stabilizer handle/lug wrench combo .....	26
Step components (outside step) .....	7
Stove/Oven components .....	13
Table assemblies & related parts .....	14
Taillights (rear body panel) .....	6
Tent bow (bed assy.'s) .....	22
Tent bow/support (glide-out) .....	23
Tent support assemblies & related parts .....	23
Tenting & related parts (sunbrella) .....	29
Thermostat (Hydro Flame) .....	20
Thrust bearing .....	4
Tie backs (curtains) .....	29
Tire & rim .....	2
Tire cover "black vinyl" .....	2
Tongue jack & related parts .....	2
Top assemblies & related parts .....	30, 31
Trim tape kits .....	6,7,8,9
Valance package .....	29
Water heater .....	25
Water faucet .....	12
Water system & related parts .....	25
Wheel well .....	2
Whiffletree & related parts .....	4
Zippers (tenting assemblies) .....	29

Axle/Brakes - Dexter .....	219/295-1900
Converter - World Friendship Co. ....	800/900-2468
Furnace - Hydro Flame #7916-11 .....	800/546-8759
Mixer Faucet - Empire Brass .....	800/431-6440
Potty/Flush Toilet - Sealand .....	877/898-7088
Refrigerator - Dometic .....	800/216-5115
Range/Oven - Atwood Greenbrier .....	800/873-4328
Tires - Kenda .....	800/225-4714
Water heater - #5031E .....	423/775-2131
Yakima bike rack - to obtain repair parts .	800/925-4621



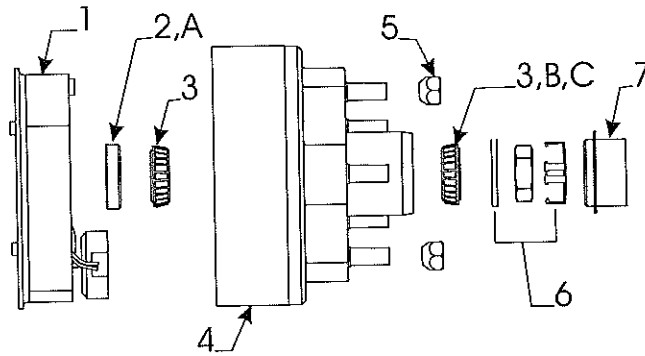
Flat Rate	Frame Assembly Code	Component Part #	Description
1.50	1	4772-4231	coupler assembly
.75	2	4720A3561	chain bar w/o pins
.50	3	4758-0381	bed leg pin & washer
2.00	4	4772-5051	corner bulkhead csr/rsf
2.00		4772-6311	corner bulkhead rsr/csf
		1203C8751	rivet m25 (rivet bulkhead to frame)
.75	5	4732E3671	adjustable pulley brkt. x4
.25		4715A5371	pulley & bearing m10
		4720C1578	short pin m4
		1204B1081	cotter pin m10
.25	6	4772-8868	tire & rim alum. mag 14"
.25		4766A1428	spare tire & rim 14" "white"
		4772-3601	chrome lug nuts m5
		4772-4141	star mag center cover
	7	4755B6641	stabilizer plate csf/rsr
		4755B6651	stabilizer plate rsf/csr
	8	4758-5381	water tank hanger brkt.
	9	4716A1751	battery angle pkg.
2.00	10	4772-3761	wheel well assy.
2.00		4759-0791	wheel well assy. rs 4033
.25	11	4772B4221	tongue jack "less wheel"
	11A	4773-0421	jack caster wheel
	12	4746A5591	pigtail - "car end"
	13	4772-5971	trailer harness
	14	1201-8708	3/8" clamp
		1203C8721	steel rivet m25
	15	4742-8108	1 1/4" snap bushing
	16	4716A5001	12 volt power harness
.15	17	4749B5531	12 volt wire harness m2
	18	4716A4701	12 volt cap & plug m2
.25	19	4751A3351	stabilizer assy. (screw down)
		4751-8208	tapping screw (3 per stab.)
	20	4747G4141	crank handle
.10	21	4755-6841	sand shoe (set of 4)
	22	4772B4211	dual gas bottle tray
.25	23	4768-6721	spare tire mount. pkg.



\* 6610007209P floor covering pkg. (8' x 14' )  
 \* Prior Authorization Needed From Factory

**Crossover Numbers To Purchase Locally**

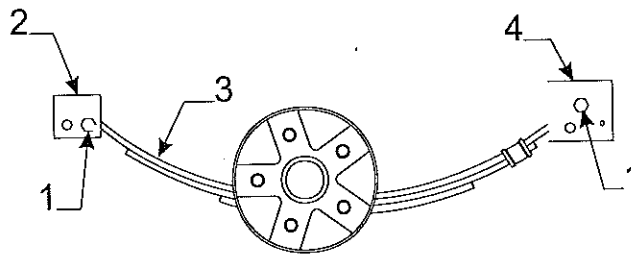
- A** K71-303-00 Grease Seal
- B** L44649 Bearing "outer"  
L68149 Bearing "inner"
- C** L44610 Race "outer"  
L68111 Race "inner"



Flat Rate .50 Per Side Electric Brake Pkg. 10" x 2 1/4" (4714J2011)			
Flat Rate	Code	Part #	Description
.50	1	4716-6251	10" brake assembly (right hand)
.50		4716-6261	10" brake assembly (left hand)
.50	2	4716A1441	10" grease seal (2 per pack)
.50	3	4716A1451	10" bearing, race & seal pkg.
.30	4	4716-1431	10" hub & drum x2
.05	5	4747A9528	lug nuts x5
.10	6	4714A3061	retainer package
.10	7	1204-1268	cotter pin x1
.05	8	4714C0621	EZ lube grease cap m4

4730W3011 3500 lb. Brake Axle Assy. (Complete) F.R. 1.25

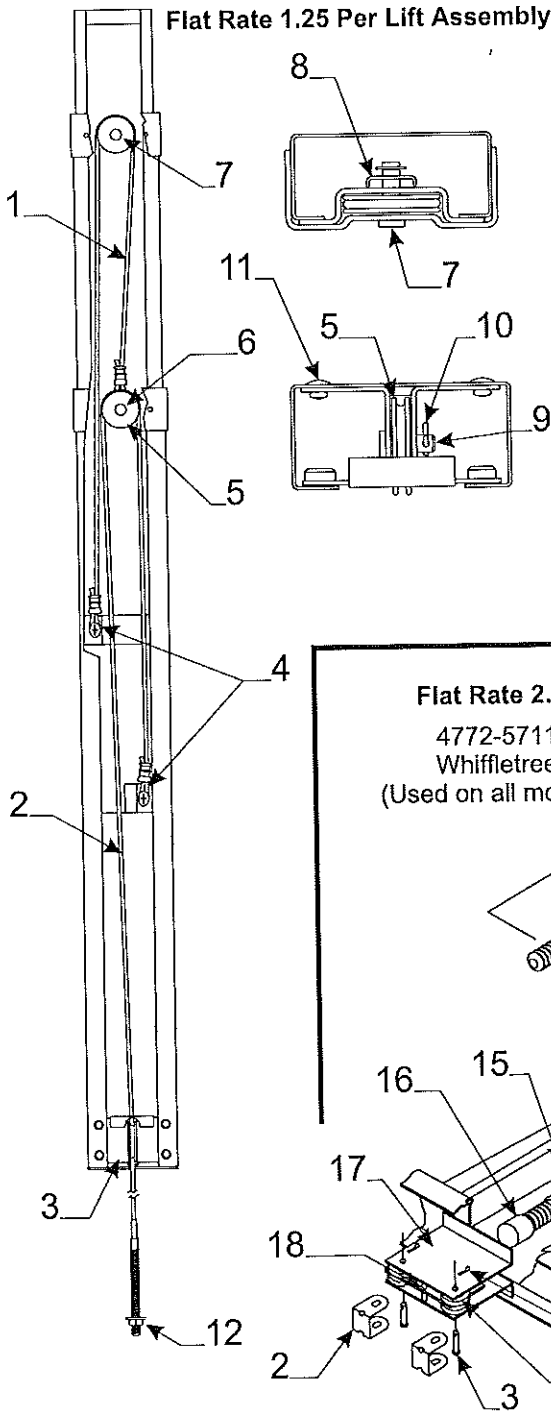
**NOTE: Limited parts stocked refer to Dexter Axle for required part (s) phone - 219/295-1900**



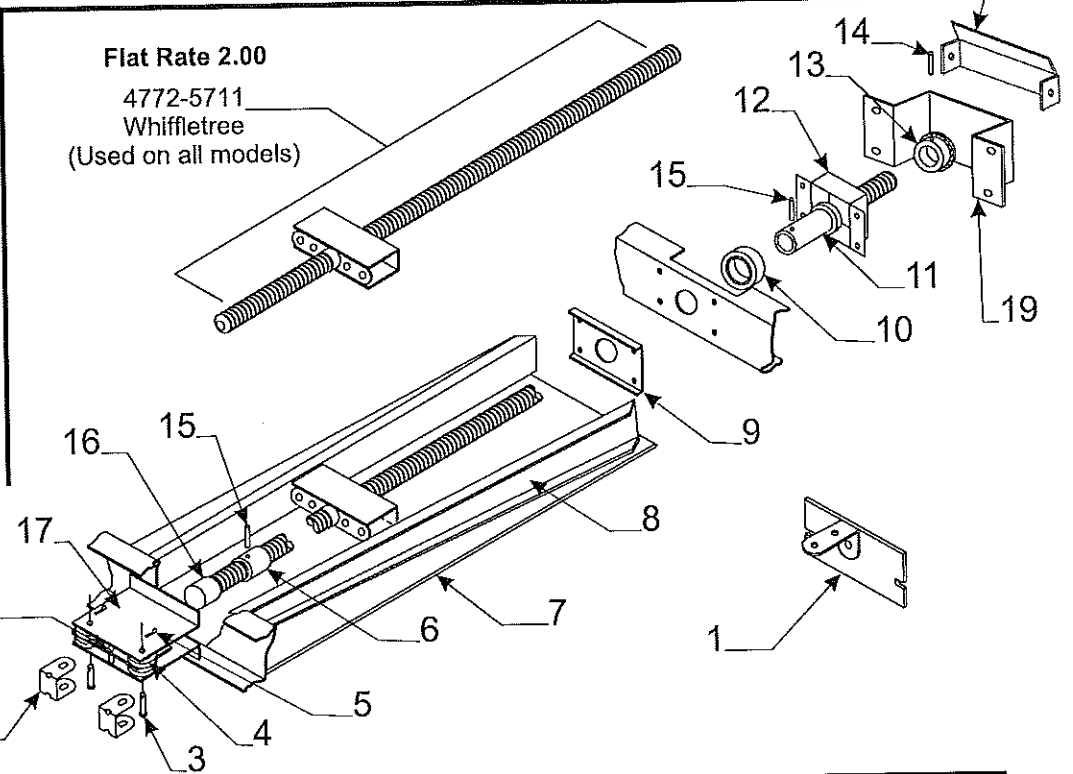
Flat Rate Axle & Spring Components			
Flat Rate	Code	Part #	Description
.25	1	4737A1318	shackle bolt
		4741-9498	shackle bolt nut
2.00	2	4741A3398	spring shackle "rear"
.75	3	4735H22081	leaf spring (4 ply) axle
2.00	4	4741C3398	spring shackle "front"

4772A5091 lift assembly roadside rear/curbside front  
 4772A5101 lift assembly roadside front/curbside rear

Flat Rate 1.25 Per Lift Assembly



Flat Rate	Lift Assembly Code	Part #	Description
.75	1	4720D5271	cable assembly x1 m2
		4720C1691	cable crimp m20
1.25	2	4772-0201	194 1/2" long cable & crimp
		4744-1318	copper cable crimp m10
1.25	3	4731C5801	butterfly bracket assy.
.05	4	4749-2081	screw m6
.50	5	4715A5371	steel pulley & bearing m10
.25	6	4747-8931	long pin x2
		4730B0981	retaining ring m12
.25	7	4749-4061	short pin m4
		4730B0981	retaining ring m12
.25	8	4749A2028	retaining clip
.45	9	4720C1578	lift pin m4
	10	1204B1081	cotter pin m10
	11	1203-8641	rivet m25
	12	1201B6378	1/4" lock nut
		1202E0408	washer
	13	4747-0321	lift cover bottom

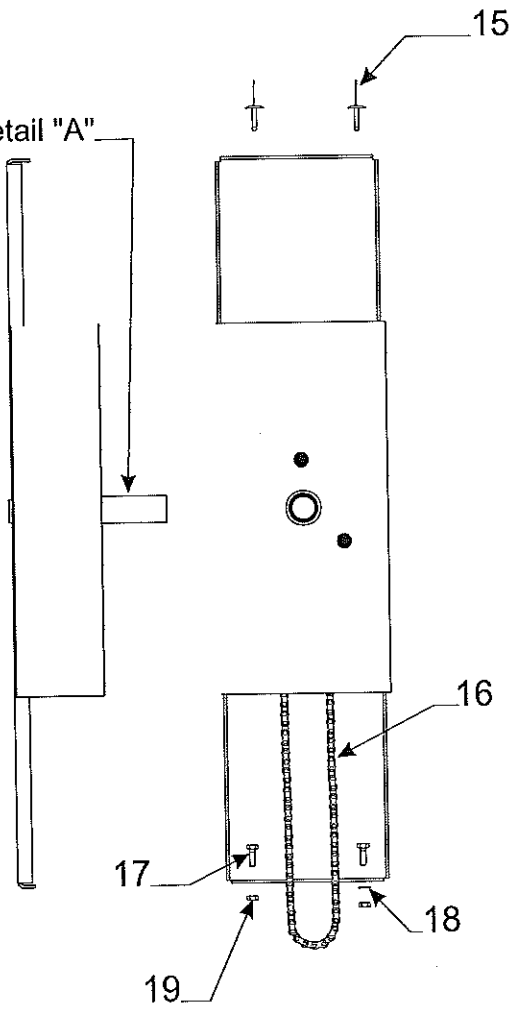


Flat Rate 2.00  
 4772-5711  
 Whiffletree  
 (Used on all models)

Flat Rate	Whiffletree & Related Parts Code	Part #	Description	Flat Rate	Code	Part #	Description
.15	1	4749A821	mud flap & brkt.	1.50	11	4720B2388	thrust nut
.50	2	4744B1741	cable retainer x2	1.50	12	4720B2408	bearing housing
.20	3	4720J1561	long pin m4	1.00	13	4730B3848	sprocket 12 tooth
.50	4	4715A5371	pulley & bearing m10		14	4720D1481	roll pin m10
.10	5	1204B1081	cotter pin m10	1.00	15	4744A1301	shear pin m10
1.60	6	4710B4248	bushing	2.00	16	4730D1291	screw socket (welded)
.25	7	4752C4921	whiffletree pan cover	2.00	17	4720-1551	pulley plate
.25	8	4720F237	pan cover side (welded)	.50	18	4715D5661	pulley spacer
	9	4720C2418	plate		19	4772-3661	chain cover
1.50	10	4720B2421	thrust nut bearing		19A	4772B3171	chain cutout cover

**4772C5121 Crank & Sprocket Assy.**  
 Flat Rate 1.50 complete assembly

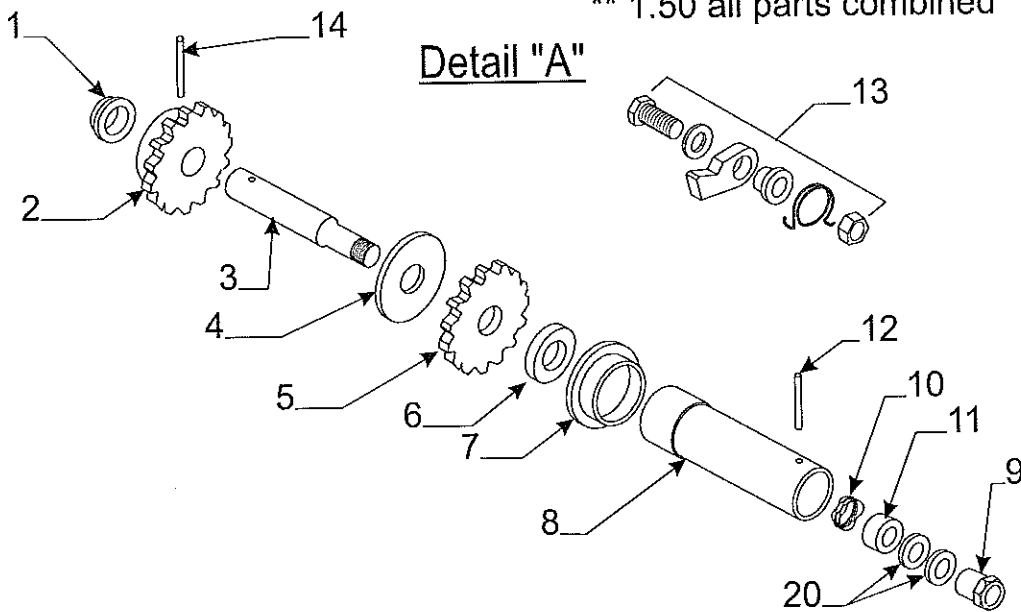
See Detail "A"

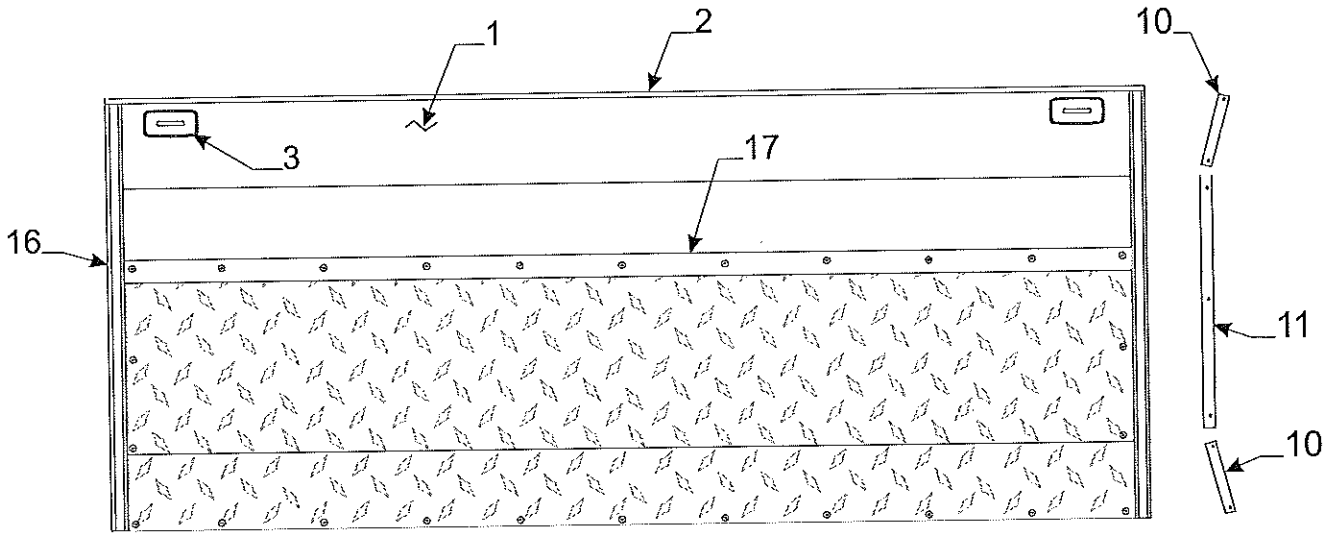


Flat Rate	Code	Part #	Description
**	1	4751-3501	shaft bushing
**	2	4730C3858	sprocket 22 tooth
**	3	4751A3521	drive shaft & nut
**	4	4751-3561	pressure plate
**	5	4751-4831	ratchet wheel
**	6	4751-3581	pressure washer
**	7	4751A3591	shaft bushing
.75	8	4716A1741	drive hub extension pkg.
<b>Note: package includes parts marked w/asterisk (*)</b>			
	9	*4751-3551	5/8" nut (Fine Thread)
		*4751B3551	5/8" nut (Coarse Thread)
	10	*4752-3921	handle spring m2
	11	*4751-4671	nylon washer
	12	*4747A9451	spiral roll pin m6
.60	13	4716-1221	ratchet pawl package
	14	4759-0621	1 1/2" shear pin m10
1.50	15	1203C8721	rivet m25
	16	4759-8031	chain (w/connecting link)
		4730A3811	connecting link
	17	4731-3878	hex head bolt x2
	18	1202B0438	washer
	19	1201B6038	hex head nut
**	20	*4757-3938	washer

\*\* 1.50 all parts combined

**Detail "A"**

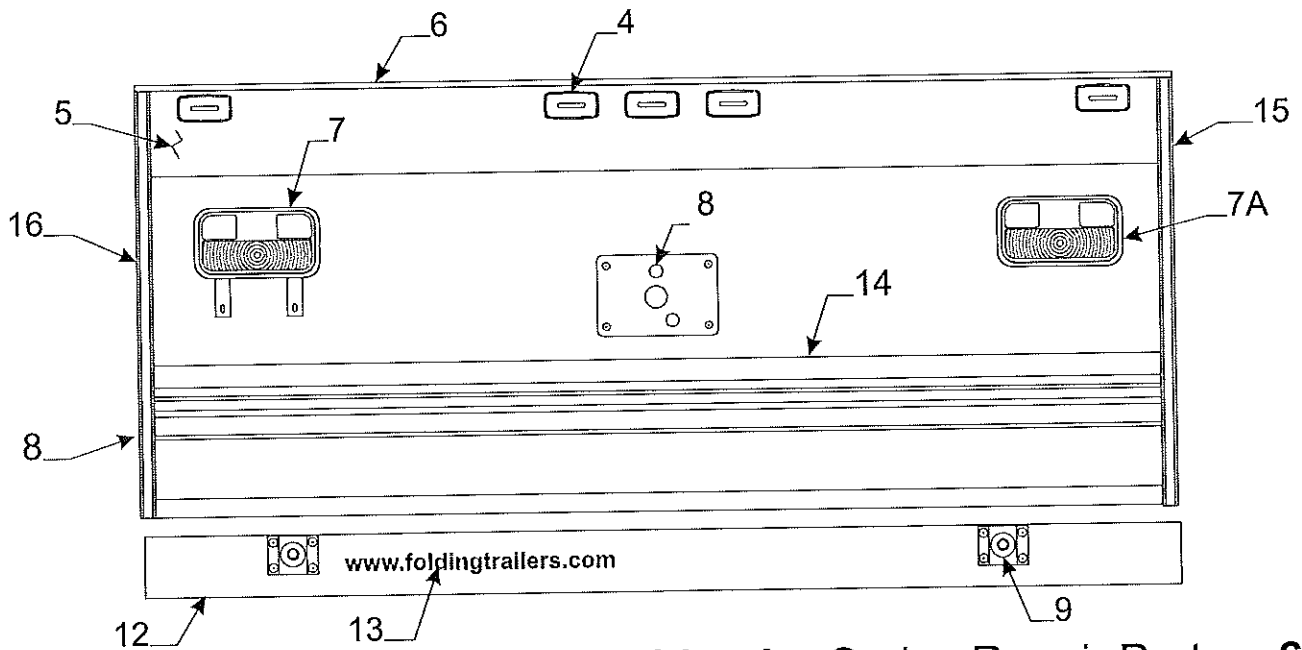




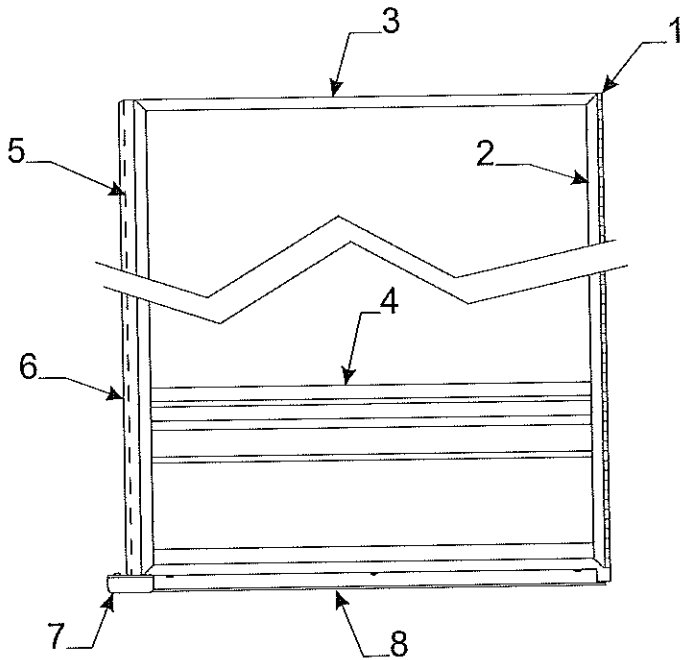
**\* 1.50 Flat Rate Front Panel/2.50 Rear Panel**

Flat Rate	Code	Part #	Description	Flat Rate	Code	Part #	Description
*	1	4772C1851	front body pnl.	.10	8	4772-3811	crank hole cover plate
						4733D0601	rivet m25
.75	2	4754-8681	front end rail	.15	9	4716-0671	bed leg pin & brkt.
		1203-8651	rivet x5 m25		10	4772-2421	screw plate angle 6"
.15	3	4714J08481	amber marker light		11	4772-2431	screw plate angle 21 1/2"
.10		4716A4571	amber lens (lens only)	.30	12	*4772B3771	bumper (storage bumper)
.25		4733H1311	socket & harness	.05		4766-8961	bumper end cap (cs)
		4747-2558	expansion rivet m25	.05		4766A8961	bumper end cap (rs)
.15	4	4714J08581	red marker light	.10		4730H3188	"open" decal
.10		4716A4561	red lens (lens only)		13	4767-0888	www.com decal
*	5	4772D1861	rear body pnl.	.10	14	4356512006P	trim tape pkg. 20' pkg.
.75	6	4772-0261	rear end rail	.30	15	4772C3391	csr/rsf corner trim
		4758-1141	rivet x5 m25			4733-4138	tek screw x10
.20	7	4765-3511	taillight w/license holder	.30	16	4060400096F	vinyl screw cover (sold/ft)
.20		4716A1061	taillight lens		17	4772C3631	rsr/csf corner trim
.20	7A	4749B4321	taillight x2			4772-4821	rock guard trim cap
.10		4716A1061	taillight lens			4734C1861	rivet m25
		4747-2558	expansion rivet m25				

**Note:** Pnl. includes stucco & diamond plate sections  
**Note:** refer to code # 3 for hardware

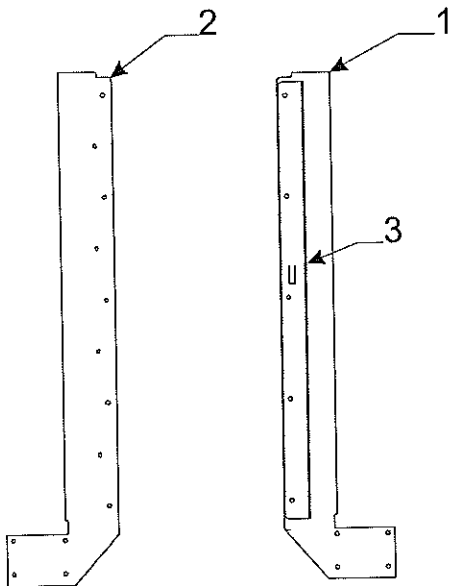






**4772E5151 Access Door Assy. F.R. .50**

Flat Rate	Code	Part #	Description
.25	1	4772A0311	door hinge
.35	2	4772A0321	door frame
.25	3	4749C9821	door cap
.25	4	4356512006P	trim tape pkg. (16' pc.)
.20	5	4060000023P	d-seal pkg. (5' pc.)
.25	6	4772C0331	door frame
.25	7	4750-6451	closeout brkt.
		4716-081	screw x2
.25	8	4747C3611	bottom trim
		4745-3968	screw x2

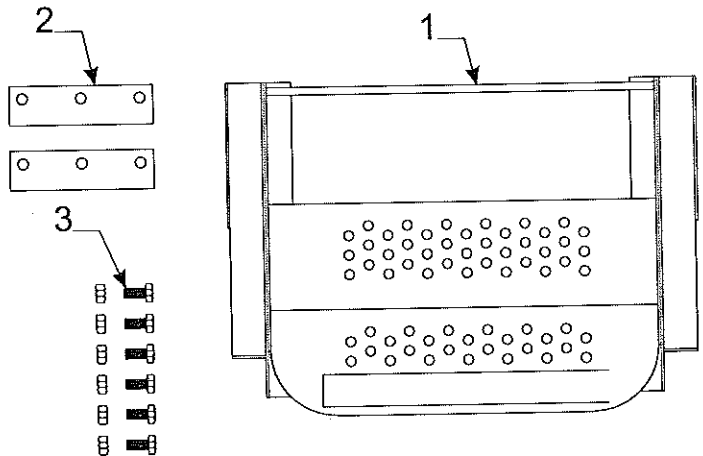


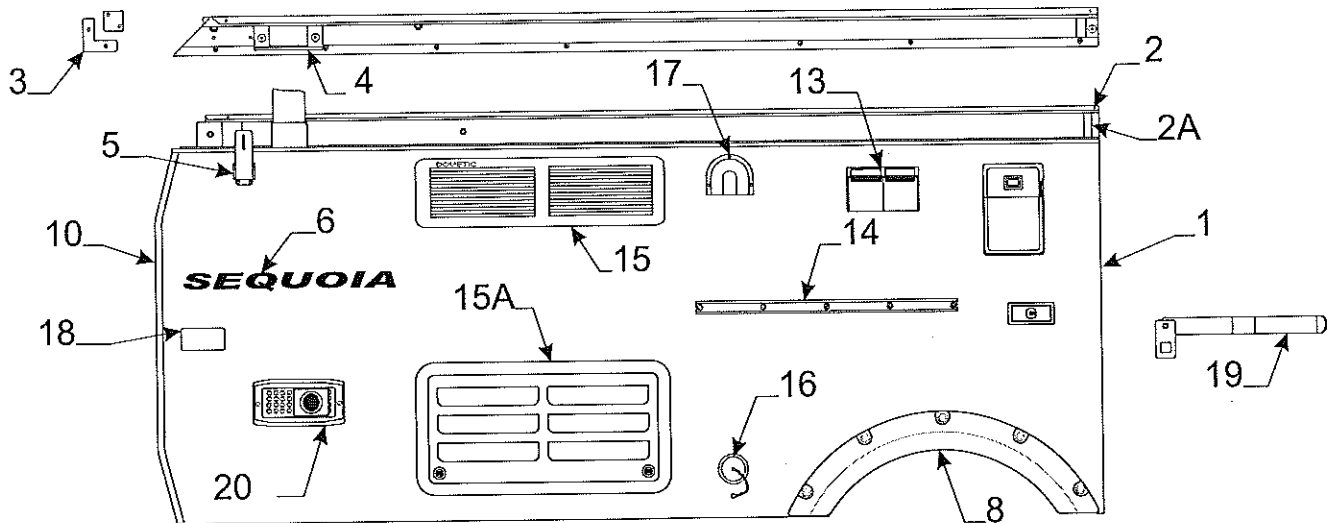
**Door Bulkheads & Components**

Flat Rate	Code	Part #	Description
1.25	1	4772A5141	csr bulkhead
1.25	2	4772A5131	csf bulkhead (all)
.35	3	4772A0301	door seal angle
		4733D0601	rivet m25 "white"

**Step Components**

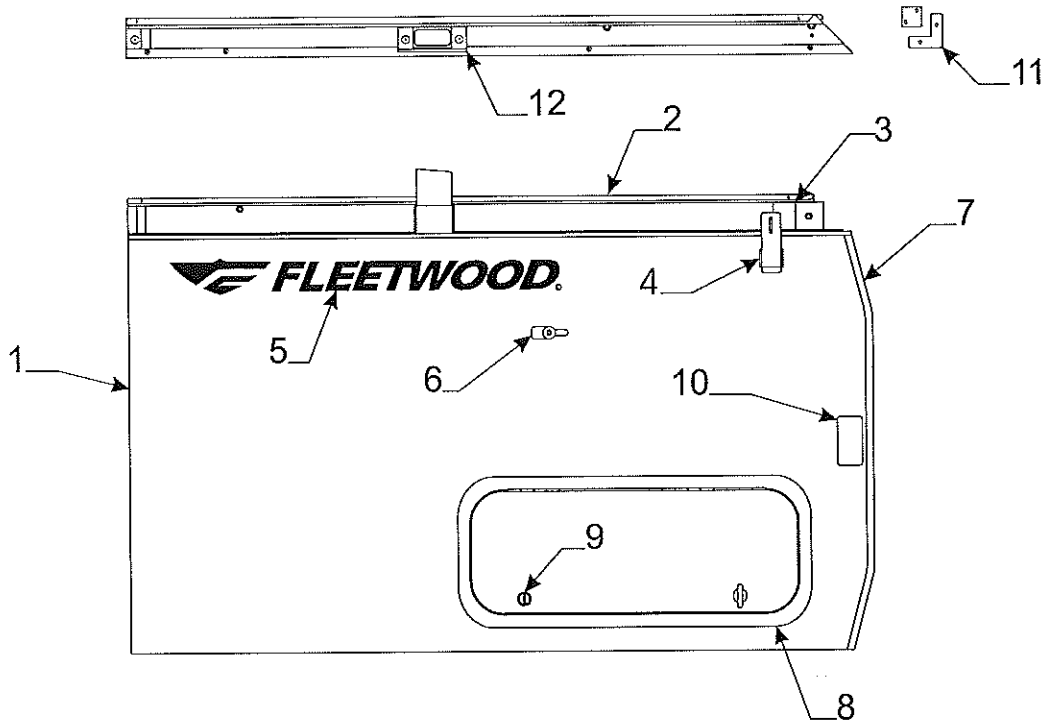
Flat Rate	Code	Part #	Description
.50	1	4747A9741	step
	2	4750-3361	step shim x2
	3	1200B3048	bolt x6
		1201B6068	nut x6





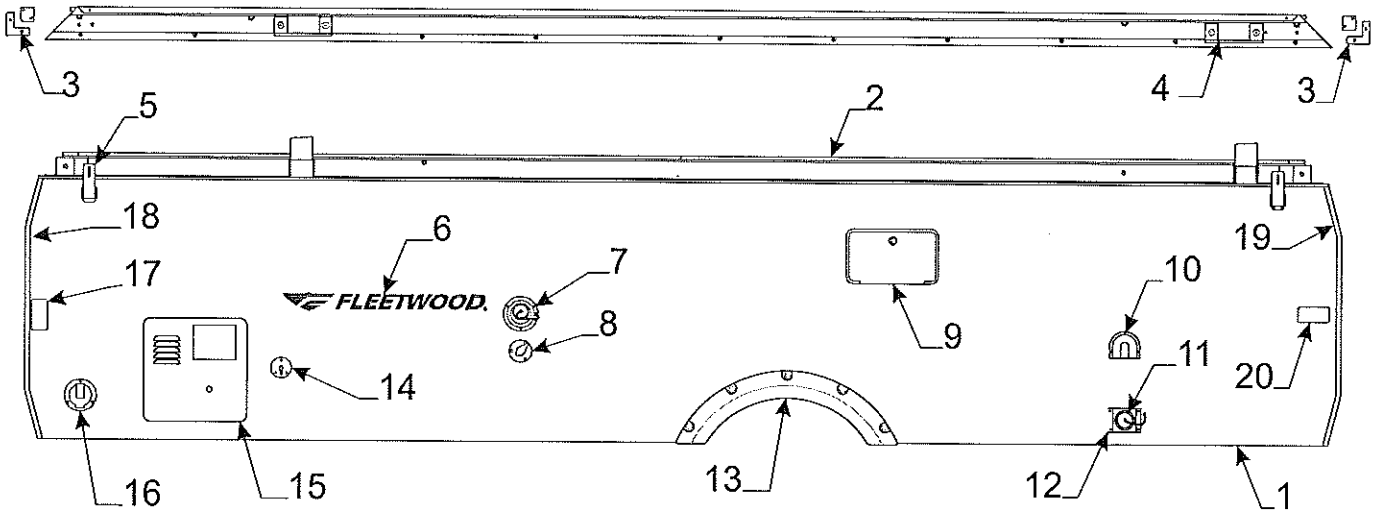
**4716B0721 Curbside Trim Tape/Hardware Kit**

Flat Rate	Curbside Right Rear Body Pnl. & Components Code	Part #	Description
1.00	1	4772D1751	csr body panel 4031 Sequoia
1.00		4772E4981	csr body panel 4033 Niagara
1.00	2	4772-0251	csr body rail 4031 Sequoia
1.00		4772-8031	csr body rail 4033 Niagara
.10	2A	4716-2771	vel-stick body rail pkg.
.15	3	4716-7061	inner/outer miter cover pkg.m4
.25	4	4734C4121	lift trim, rivets & gasket pkg. m4
		4733-3398	nylon flange bushing x2 per trim
.15	5	4741C6041	top latch w/out lock tab
		4767-1701	1 1/2" tek screw m12
		4749-4848	foam pad
.25	6	4772B1878	Sequoia name decal 4031
.25		4772B8048	Niagara name decal 4033
.25	7	4772-8881	bottom trim 8 3/4"
.25	8	4772-9401	wheel well trim
		4739F2901	chrome snap cap m12
.10	9	4714A2861	drain cap & strap
.15		4772A4161	hat section brkt.
.30	10	4772C3391	csr/rsf corner trim
		4733-4138	tek screw x10
		4060400096F	vinyl screw cover (sold/ft)
1.00	11	4730C3111	lock handle (with key)
.25	12	4757A1881	porch light
.10		4716A1881	porch light lens "amber"
.25	13	4746A3861	duplex cover & outlet
.35		4746-3871	duplex box
1.25	14	4767-3921	stove support brkt.
.50	15	4773-1041	small reefer vent & trim "plastic"
.50	15A	4747D8341	large reefer vent & trim "plastic"
.10		4716-4441	reefer vent clasp m4
	16	4714A2861	drain cap & strap
.15	17	4757-9261	vent cover "plastic"
.15	18	4714J08581	red marker light x4
.10		4716A4561	red lens (lens only)
1.00	19	4772-6411	latch & lever
	20	4741B9471	furnace vent 8"



**4716B0721 Curbside Trim Tape/Hardware Kit**

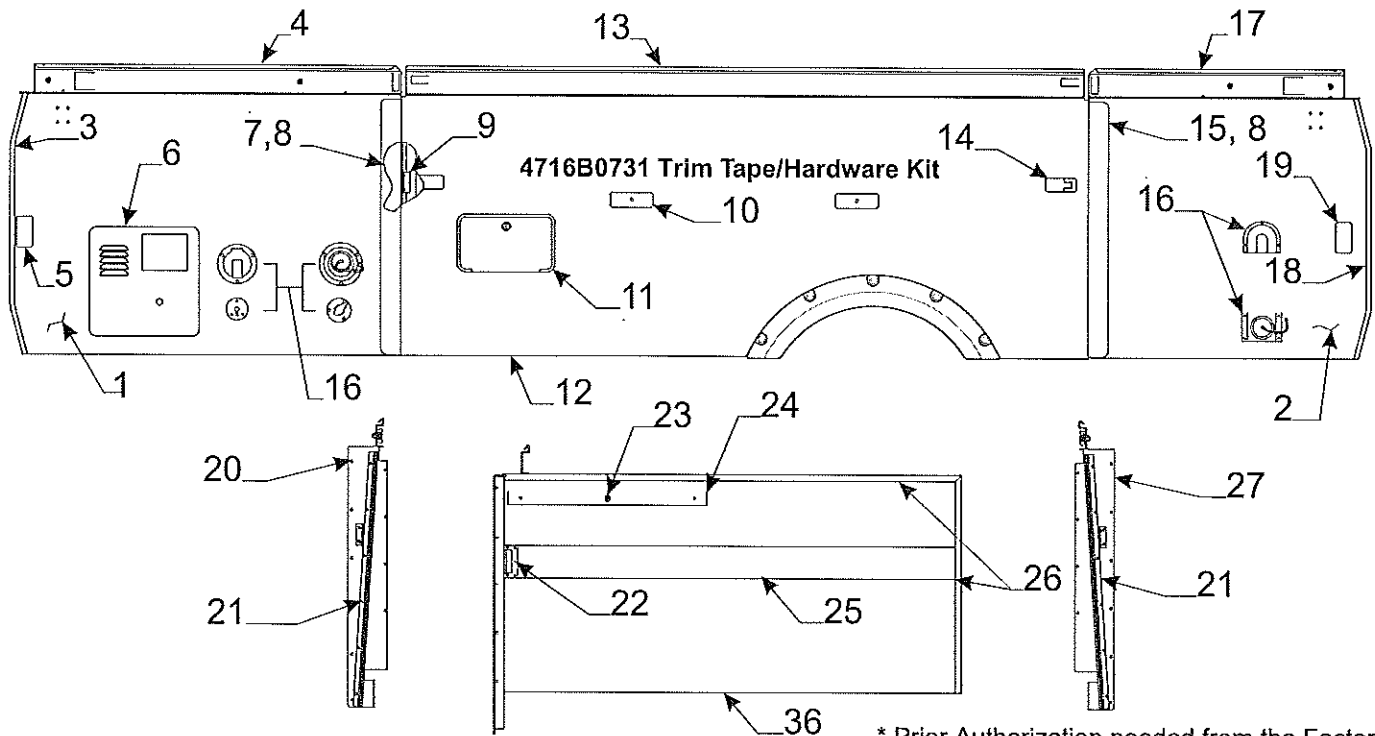
Flat Rate	Code	Part #	Description
	<b>Curbside Right Front Body Pnl. &amp; Components</b>		
.85	1	4772F1741	csf body panel 4031 Sequoia
.85		4772E8141	csf body panel 4033 Niagara
1.00	2	4772-0241	csf body rail 4031 Sequoia
1.00		4772-8151	csf body rail 4033 Niagara
.10	3	4716-2771	vel-stick body rail pkg.
.15	4	4741C6041	top latch w/out lock tab
		4767-1701	1 1/2" tek screw m12
		4749-4848	foam pad
.25	5	4761-1958	Fleetwood decal
.15	6	4738-3941	turn button & rivet
		1203-8831	rivet m25
.30	7	4772C3631	csf corner trim
		4733-4138	tek screw x10
		4060400096F	vinyl screw cover (sold/ft)
.50	8	4772A8161	hatch door 24" x 16" - 4033 Niagara
.50		4767-8171	hatch door 25" x 12" - 4031 Sequoia
.15	9	4772-9201	hatch door cam lock
		4716-7511	hatch door key m2 (#Ch751)
.15	10	4714J08481	amber marker light
.10		4716A4571	amber lens (lens only)
.25		4733H1311	socket & harness
		4747-2558	expansion rivet m25
.15	11	4716-7061	inner/outer miter cover pkg.m4
.25	12	4734C4121	lift trim, rivets & gasket pkg. m4



- \* Add .50 For Heater Vent
- \* Add 1.00 For Refrigerator
- \* Add .50 For Hot Water Heater

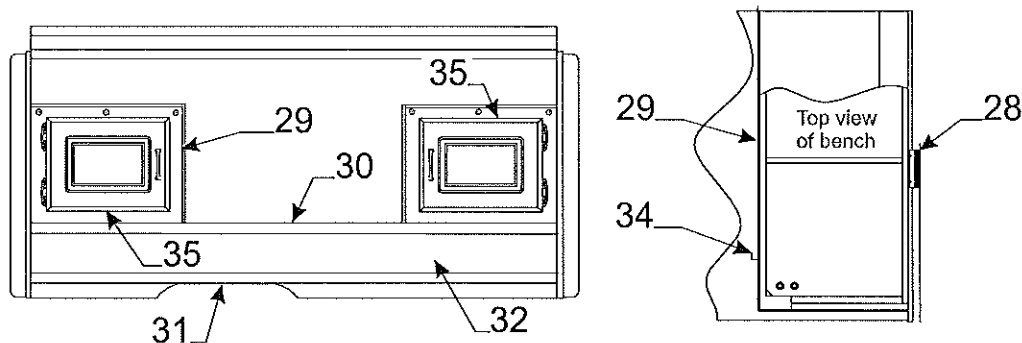
**4716B0731 Trim Tape/Hardware Kit**

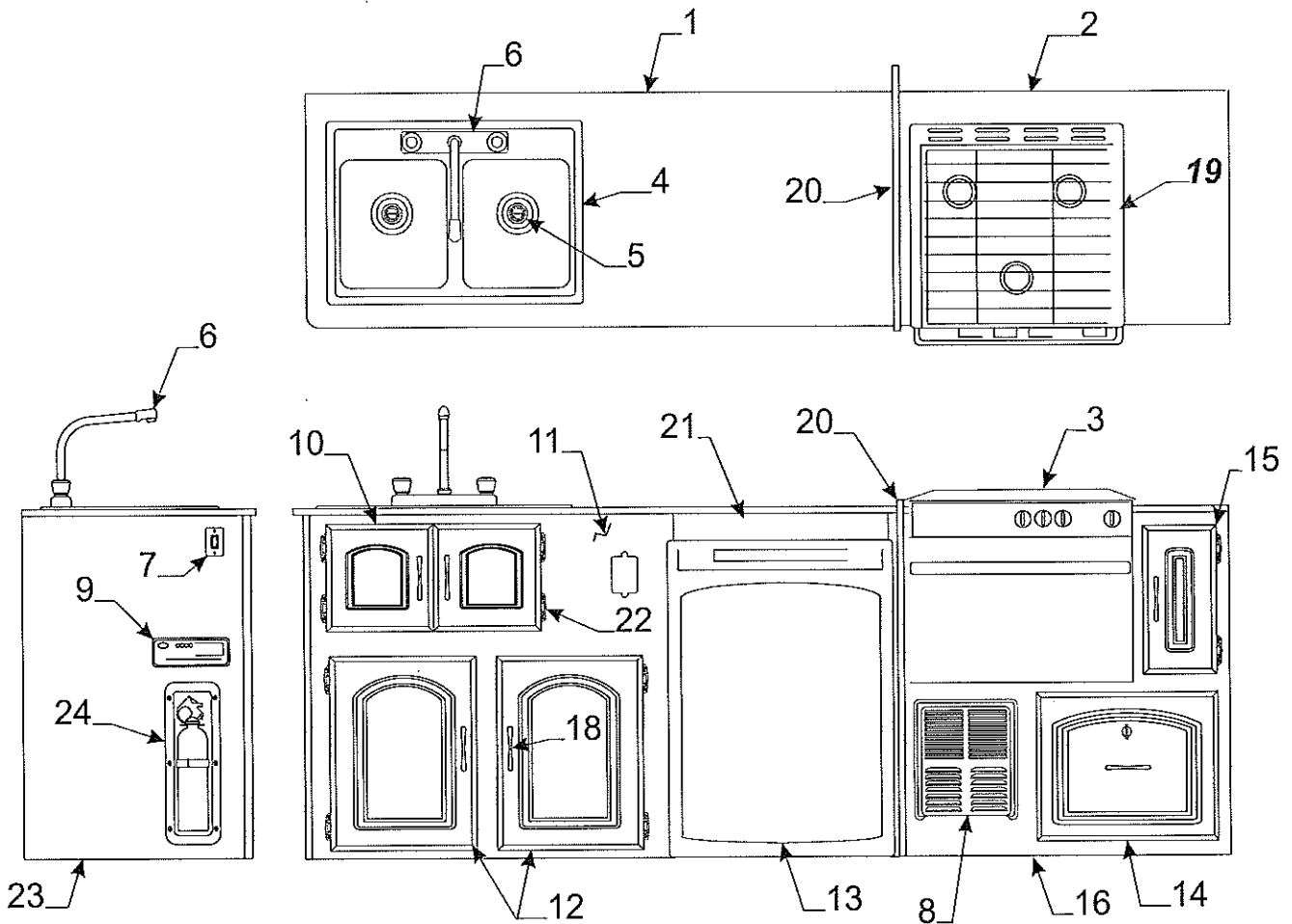
Flat Rate	Roadside Code	Left Body Panel - 4031 Sequoia Part #	Description
*2.00	1	4772J1731	left side body pnl.
*2.00	2	4772-0231	left side body rail
.10		4716-2771	vel-stick body rail pkg.
		4757-0731	wire grommet & nut
.15	3	4716-7061	inner/outer miter cover pkg. m4
.25	4	4734C4121	lift trim, rivets & gasket pkg. m4
.15	5	4741C6041	top latch
		4767-1701	1 1/2" tek screw m12
		4749-4848	foam pad
.50	6	4716B0731	trim tape kit
.30	7	4731D1711	water tank fill spout
		4741-3508	hex head tek screw x3
.30	8	4732F1521	city fill
.25	9	4750C5861	o/s shower complete
.15		4750A2961	lock assy. w/key
		4716-7511	key m2 # Ch751
.15	10	4757-9261	vent cover "plastic"
.10	11	4714A2861	drain cap & strap
.15	12	4772A4161	hat section brkt.
.25	13	4772-9401	wheel well trim
		4739F2901	chrome snap cap m12
		4060050008P	foam tape pkg. (12' pc.)
	14	4757A4871	coax out-let
		4741A9101	hex head tek screw m10
.25	15	4716-1331	water heater door
.15	16	4733B23361	cable hatch
.15	17	4714J08481	amber marker light
.10		4716A4571	amber lens (lens only)
.25		4733H1311	socket & harness
		4747-2558	expansion rivet m25
.30	18	4772C3631	rsf corner trim
		4060400096F	vinyl screw cover (sold/ft)
.30	19	4772C3391	rsr corner trim
		4733-4138	tek screw x10
.15	20	4714J08581	red marker light x4
.10		4716A4561	red lens (lens only)



\* Prior Authorization needed from the Factory

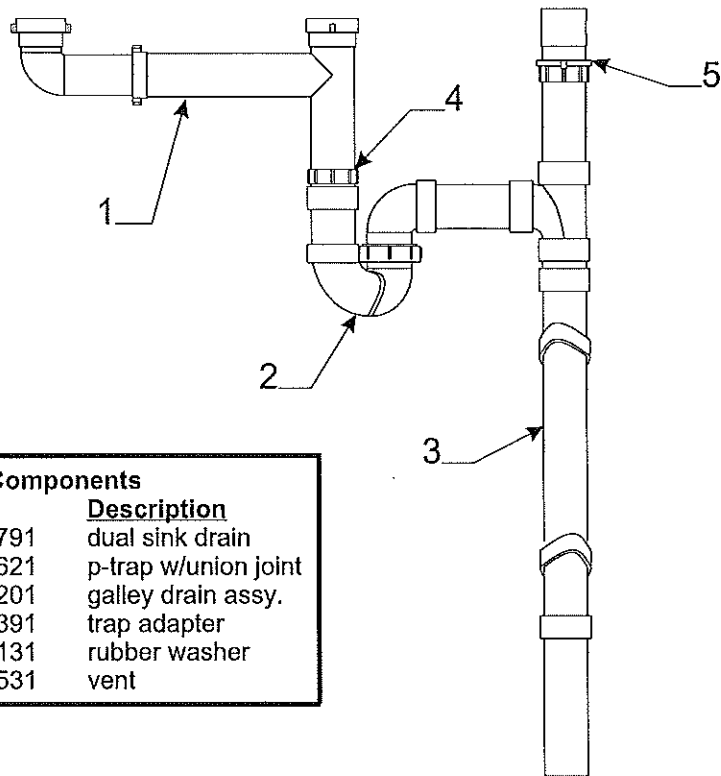
Flat Rate	Code	Part #	Description	Flat Rate	Code	Part #	Description
1.50	1	4772D8101	left front body panel	.30	18	4772C3631	rsr corner trim
1.50	2	4772D8061	left rear body panel	.15	19	4714J08581	red marker light x4
.30	3	4772C3391	rsf corner trim	.10		4716A4561	red lens (lens only)
		4733-4138	tek screw x10	.1.65	20	4759D5031	bulkhead left front
		4060400096F	vinyl screw cover (sold/ft)	.35	21	4772-8211	glide-out seal track
1.00	4	4772-8091	left frt. body rail			4064700589P	side seal "black" pkg. (8' pc.)
.15	5	4714J08481	amber marker light			4066500049P	wipe seal (10' pc.)
.10		4716A4571	amber lens (lens only)	.15	22	4756-2171	lock boot w/cover plate
.25	6	4716-1331	water heater door		23	4730A3548	stud w/screw
.25	7	4772A8731	angle seal "front"	.25	24	4754-3811	vel-stick (must cut to size)
	8	4060000023P	d-seal pkg. "white" (5' pc.)	.50	25	4756-8471	ABS ware strip x2
.75	9	4756A4171	strike w/screws	.20	26	4756C1461	U-channel 48" pc.
		4756-3251	shim	1.65	27	4772B6811	bulkhead left rear
.75	10	4756-1181	pull handle	.10	28	4756-1151	5 1/2" brush seal
		4738-2608	tek screw "black"		29	4714-6951	universal paneling
.25	11	4750C5861	o/s shower complete	.50	30	4757C2161	edge cap "painted brown"
		4716-7511	key Ch751	.50	31	4757-2351	floor sweep
1.00	12	4772B6981	glide-out body panel	.25	32	4756D6041	wood kick plate assy.
.75	13	4756A9951	glide-out body rail	1.25	33	3568803202P	ware plate "galvanized" 30x55
.75	14	4755-4091	latch & gasket		34	4724-2608	stop button
.25	15	4772A8731	angle seal "rear"	.15	35	4756B8921	dr. panel 12 1/4" x 16"
	16	<b>Note:</b> See opposite page for these items		*	36	4773A5021	g/o side panel "rear"
1.50	17	4772-8051	left rear body rail	*		4773A5011	g/o side panel "front"
		4757-0731	wire grommet & nut				





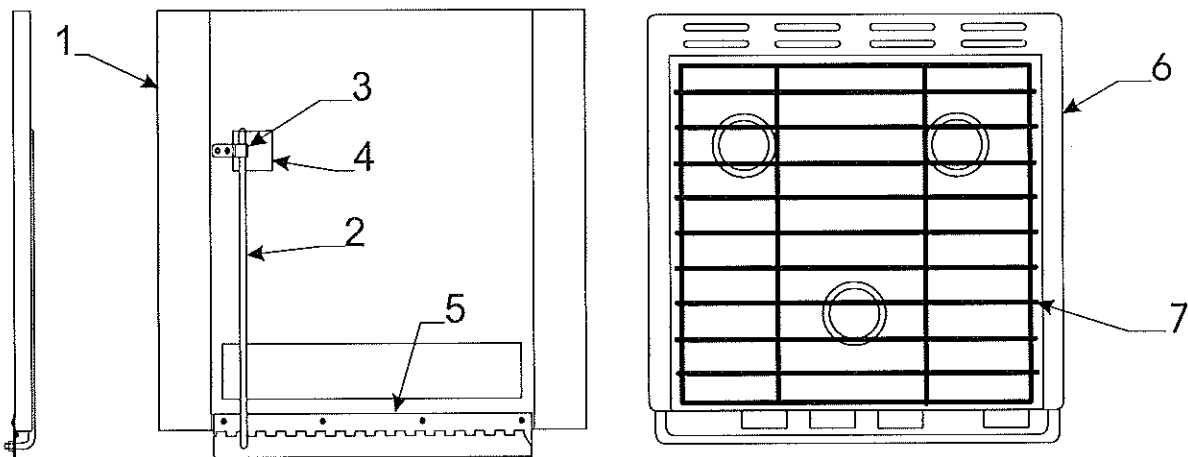
\* Add .50 with heater

Flat Rate	Galley Code	Components Part #	4031 Sequoia, 4033 Niagara Description	Flat Rate	Code	Part #	Description
1.00	1	4772C8291	galley top		14	4772B1991	drw. frt. pnl. 14 3/4" x 18
.30		4060475004P	t-molding pkg. (12' pc.)	.10		4772C5811	drawer assy.
1.00	2	4772C8241	range top	.15	15	4767-8221	door panel 14 1/4" x 7"
.30		4060475004P	t-molding pkg. (12' pc.)	1.00	16	4772C823	galley front rt.
.30	3	4772-5701	oven/range cover assy.	.20	17	4773-0601	microwave "Dometic"
.80	4	4767A0921	dual sink			4773-0681	microwave trim kit
		4772A9031	cutting board "plastic"	.10	18	4755B2681	door pull
.25	5	4730E3151	crumb cup & basket	.05	19	4716-2901	3 br. range/oven grate
.05		4714C0661	crumb cup	.10		4716A2911	3 br. range/oven cook top
1.00	6	4765B1941	faucet "brushed finish"	.50	20	4772B0561	galley gazoodl
		4733C4981	rocker switch	.20	21	4772B063	galley front
.10	8	4743-3551	furnace grill	.10	22	4762-4878	hinge
.50	9	4765C1121	cd radio		23	4772B828	galley side 4031 Sequoia
.15		4733-6391	latch & strike pkg.			4772A828	galley side 4033 Niagara
.15	10	4772A1161	door panel 10 1/4" x 10 1/4"	.65		4060137504P	3/8" f-channel 48" pc.
*1.00	11	4772C827	galley front lt.	.15	24	4737B4198	recessed mount
.15	12	4772A1181	door panel 14" x 18 1/2"			4738-3088	screw x6
		4755-4471	spice rack	.10		4737A5558	fire extinguisher
	13	4772B245	refrigerator 3.7 RM7401R1	.05		4716-1191	fire extinguisher strap m2

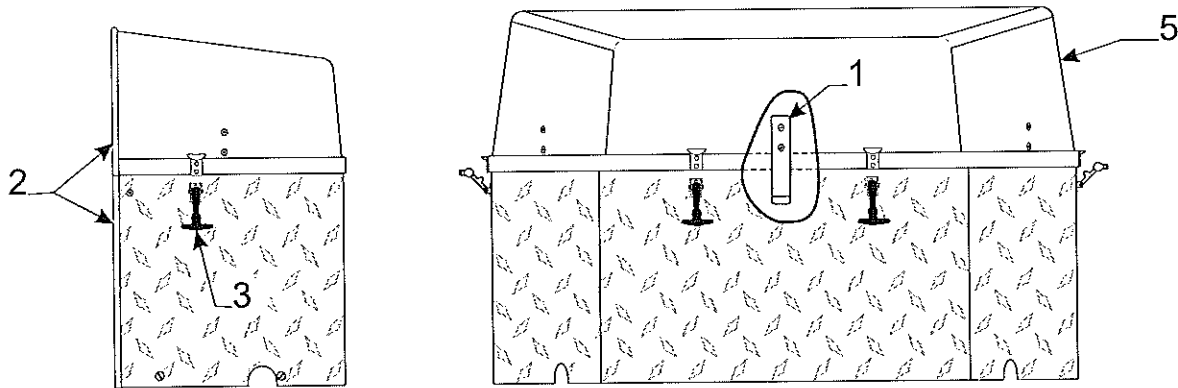
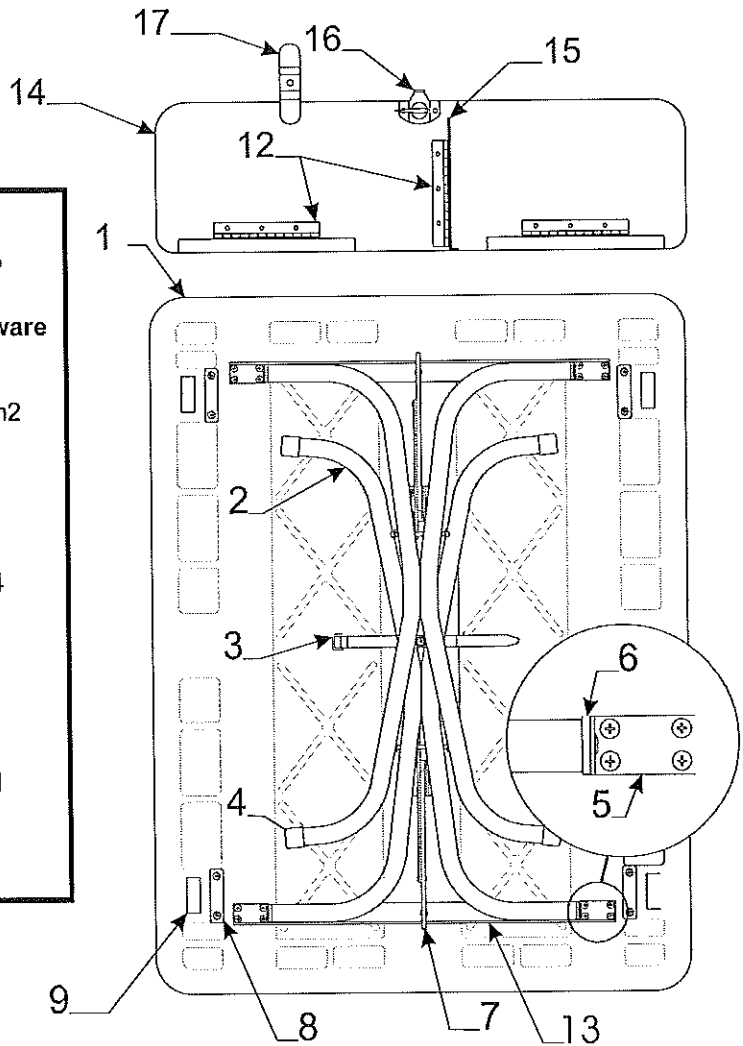


Galley Drain Components				
Flat Rate	Code	Part #	Description	
.40	1	4772-4791	dual sink drain	
.40	2	4752-3621	p-trap w/union joint	
.75	3	4757-7201	galley drain assy.	
.40	4	4758-1391	trap adapter	
		4757-9131	rubber washer	
.40	5	4765-3531	vent	

Oven/Range Components				
Flat Rate	Code	Part #	Description	
	1	4772A5701	oven/range cover assy.	
.15	2	4772A1801	steel prop rod	
		4772-283	nylon washer x2	
		1201B6378	nut	
	3	4720A0721	plastic clip m2	
		4734J1861	rivet "black" m25	
	4	4350000126	flextrud abrasion tape	
	5	4772A397	cover hinge	
.10	6	4716A2911	3 br. range/oven cook top	
.05	7	4716-2901	3 br. range/oven grate	



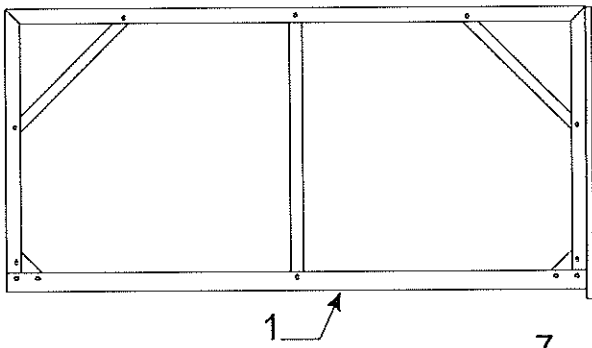
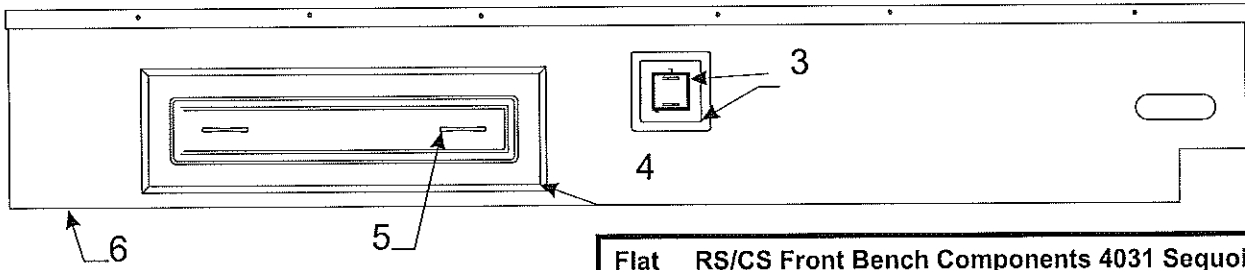
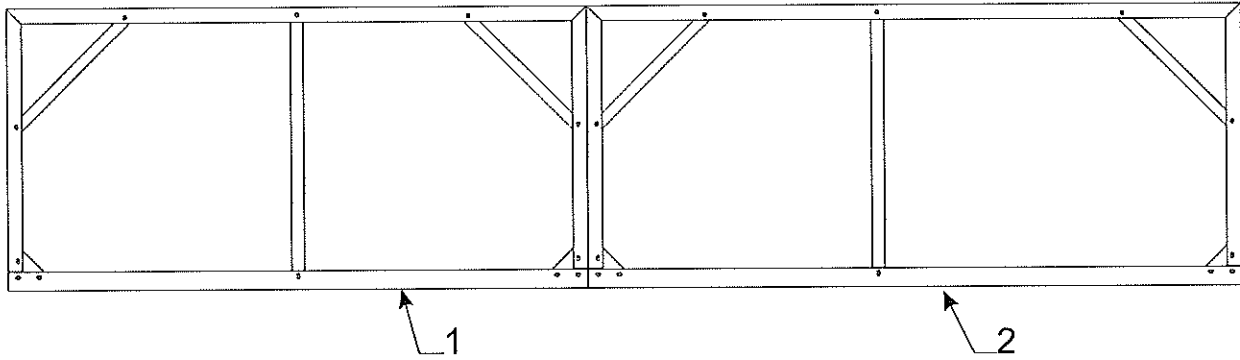
Flat Rate	Code	Part #	Description
.50	1	4759-4361	table top "plastic" 30" x 39"
.50	2	4745K5271	table leg package
<b>Note: pkg. includes 2 legs &amp; required mounting hardware</b>			
.10	3	4751A9711	strap & screw pkg.
	4	4752-0551	white plastic cap m2
.15	5	4720F1211	table leg mounting brace m2
		1103E1018	5/8" wood screw
.15	6	4752A0561	table leg insert cap m2
		4747-2558	expansion rivet m2
.25	7	4744-6971	lock brace assy. x2
		1103E1018	5/8" wood screw
.15	8	4756-8741	table top plastic spacer m4
		1103B08148	7/8" screw (x2 per spacer)
.05	9	4724D2631	velcro fastener m4
	10	4741-8658	sash lock x2
	11	4772-6171	table brkt. assy.
	12	4720C3601	hinge
	13	4759-9601	table brace brkt. x2
	14	4757-7171	table extension assy. 4031
	15	4767-8241	support arm
	16	4754-0501	latch
	17	4767-8251	retainer w/rievet & spacer



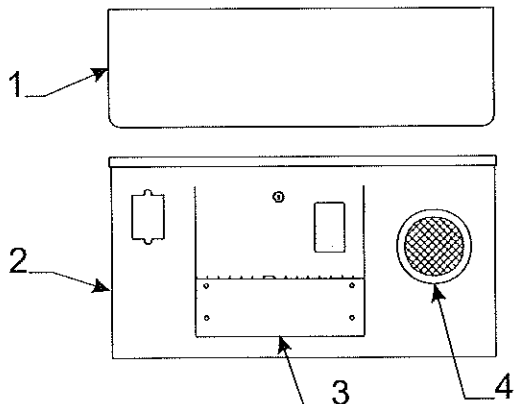
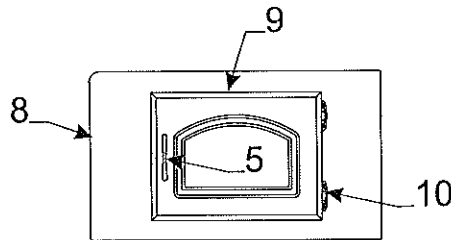
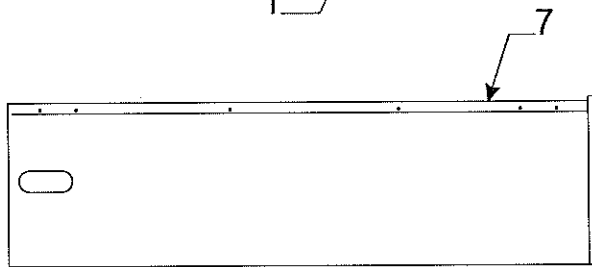
**4773-5871 Gas Bottle Cover Assy. (Complete)**

Flat Rate	Code	Part #	Description
.15	1	4755-8101	lid clip x3
	2	4060000014P	edge molding (8' pc. pkg.)
.15	3	4755-8111	latch, strike & rivet x4
.10	4	4772A9431	cover keeper w/rivets x4
.05		4732-1181	screw grommet m4
		1121C1618	license plate screw x2
	5	4773A5291	plastic cover w/hardware



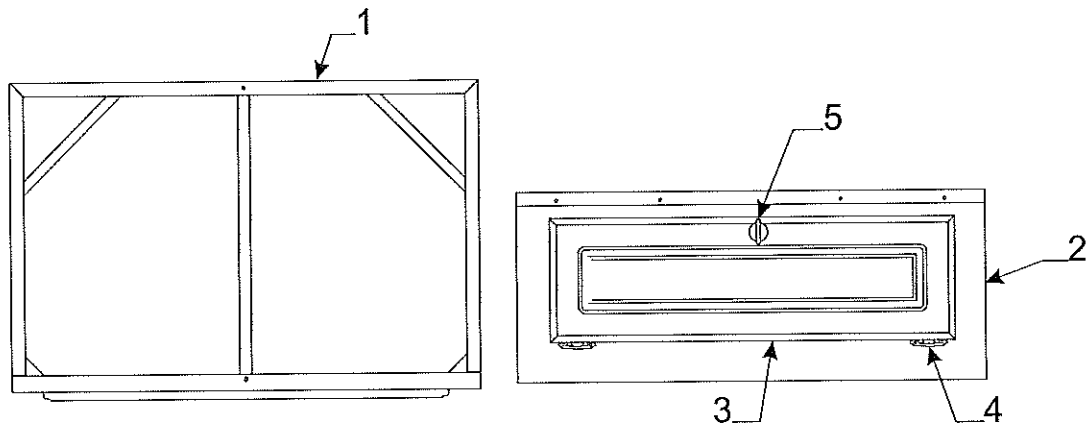
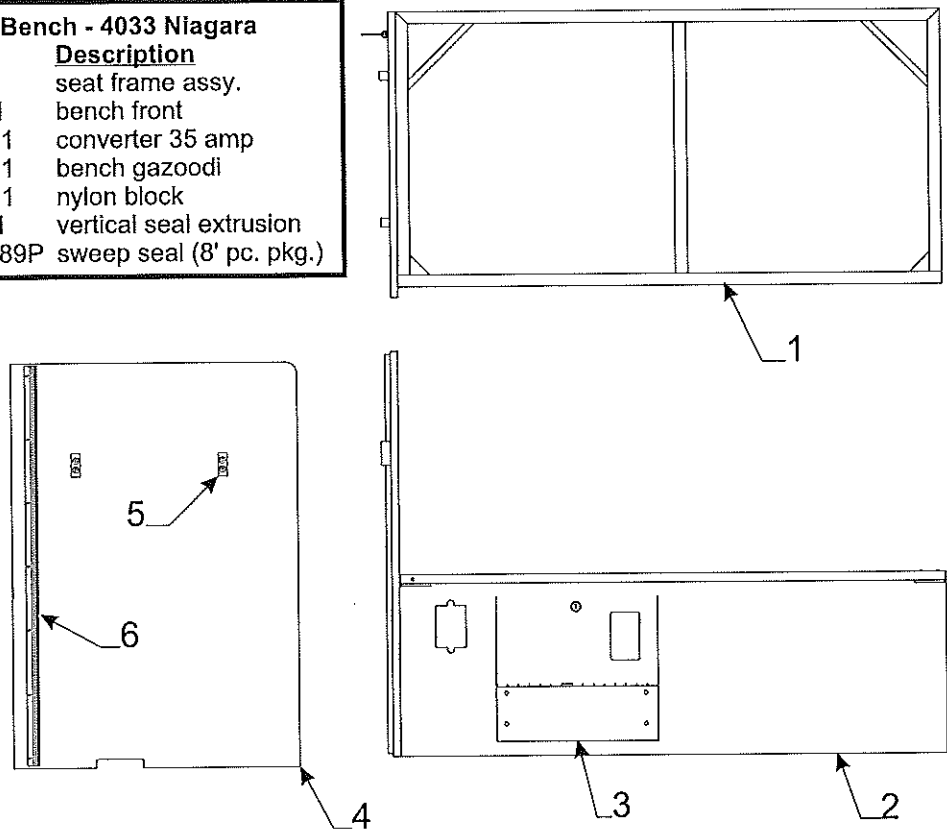


Flat Rate	RS/CS Code	Front Bench Components 4031 Sequoia Part #	Description
.25	1	4772B554	rs seat bench frame
.25	2	4772B522	rs seat bench frame
	3	4752A8461	thermostat
.20		4747-8391	plastic base & bracket
.15	4	4772A5801	drawer front 9 1/4" x 30 1/4"
.15		4772A5821	drawer assy.
.10	5	4755B2681	door pull
.20	6	4767-830T	bench front
.25	7	4767-497	cs seat bench frt.
.35	8	4767-4961	cs seat end
.15	9	4756B8921	door panel 12 1/4" x 16"

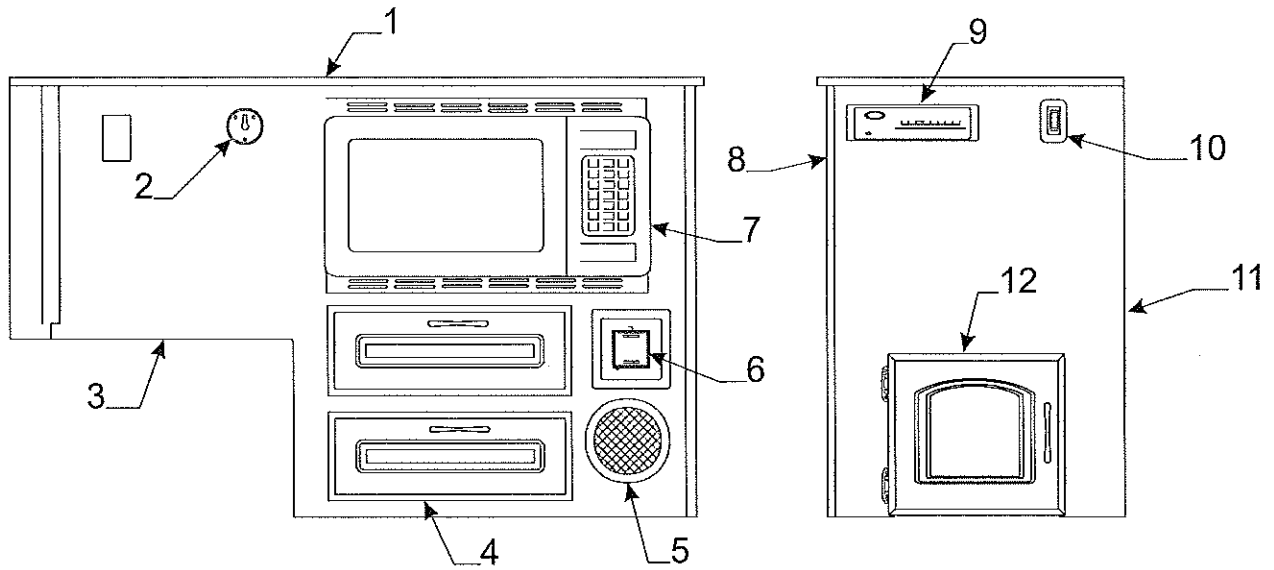


Flat Rate	Code	Front Center Bench Cabinet 4031 Sequoia Part #	Description
.25	1	4767A8211	cabinet top
.30		4060475001P	t-molding (14' pkg.)
1.00	2	4767-820	cabinet front
	3	4772A2441	converter 35 amp
.15	4	4765-1131	speaker/grill

Flat Rate	Code	Part #	Description
.25	1	4772A686	seat frame assy.
.20	2	4714-6951	bench front
1.00	3	4772A2441	converter 35 amp
.75	4	4772A8411	bench gazoodi
.50	5	4755B8201	nylon block
.50	6	4772-8471	vertical seal extrusion
		4064700589P	sweep seal (8' pc. pkg.)

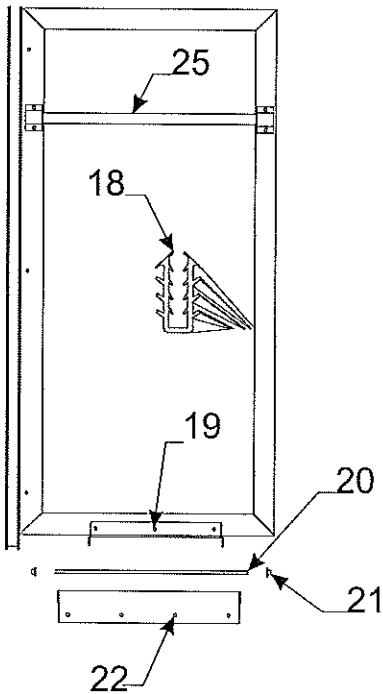
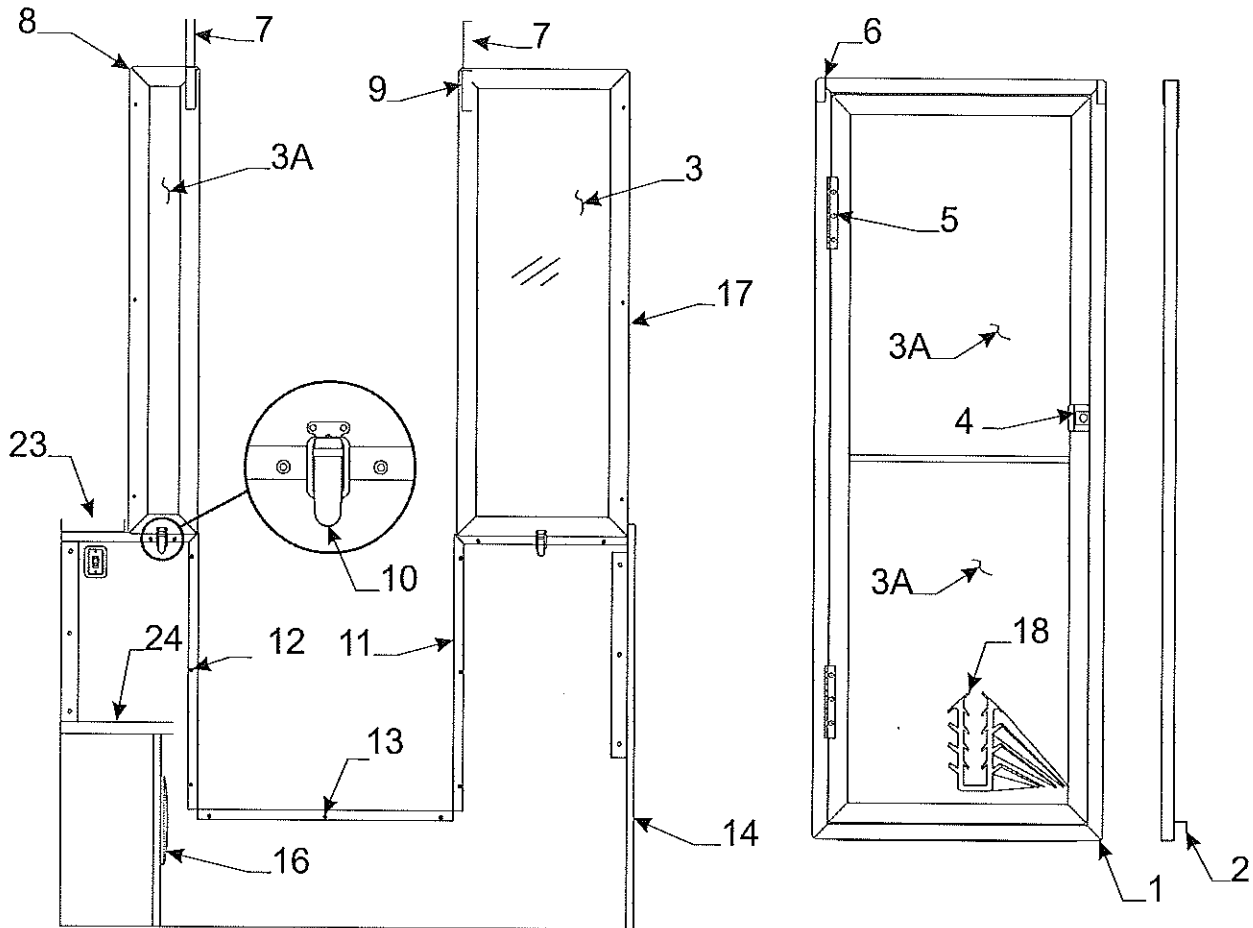


Flat Rate	Code	Part #	Description
.25	1	4772A6881	seat frame assy.
.20	2	4772B846	bench front
.15	3	4757B8501	door panel 30 1/4" x 9 1/4"
.10	4	4762-4878	hinge
.15	5	4767-3601	chrome thumb turn lock

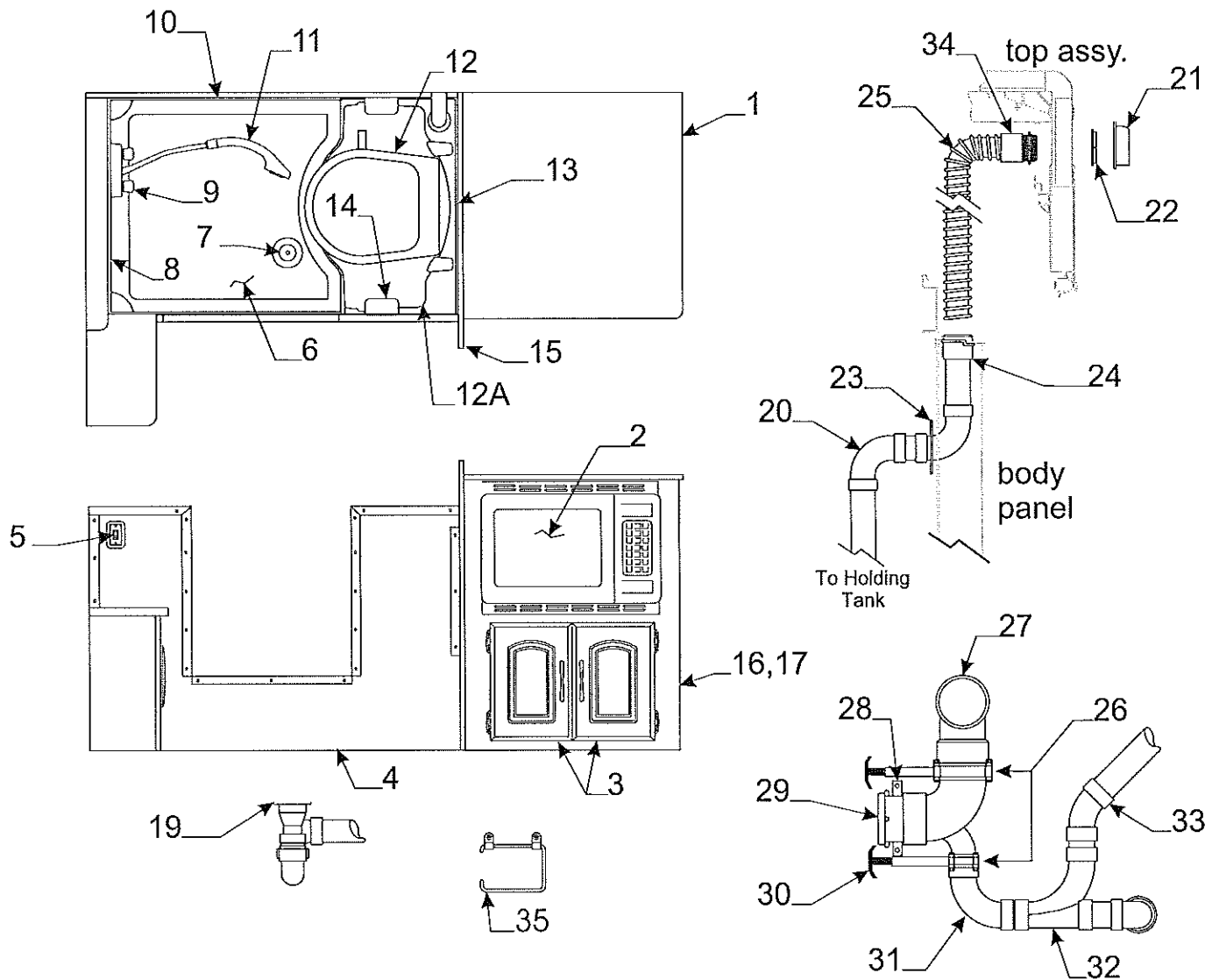


\* Warranted Through Vendor

Flat Rate	Code	Part #	Description
.75	1	4772A8311	bench cabinet top
.30		4060475004P	t-molding pkg. (9' pc.)
	2	4757A4871	coax outlet
1.00	3	4772C832	cabinet front
.15	4	4772A3521	drawer front 6 3/4" x 18 3/4"
.10		4772A6401	drawer assy.
.15	5	4765-1131	speaker/grill
*	6	4752A8461	thermostat
.20		4747-8391	plastic base & bracket
.20	7	4773-0601	microwave "Dometic"
		4773-0681	microwave trim kit
.65	8	4060137504P	3/8" f-channel (48" pc.)
.15	9	4765C1121	am/fm cd radio
		4765A1141	wire antenna w/plug
.10	10	4733A4981	rocker switch
.50	11	4772B883	cabinet side
.15	12	4757A4621	door panel 13 3/8" x 12 1/4"
.10		4762-4878	hinge
.10		4755B2681	door pull w/screws

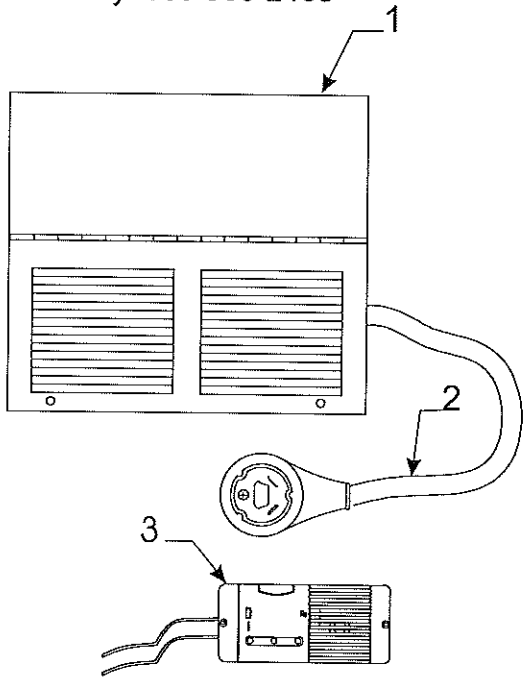


Flat Rate	Code	Part #	Description
.10	1	4772C6131	shower door
		4772-9101	vinyl end protector x2
.15	2	4772B4311	shower door stay brkt.
.40	3	4772A9001	mirror
.40	3A	4772-4461	universal fiberglass panel
.40		4772-8871	5/32" wood panel 18 3/8 x 57 5/8"
.15	4	4772-2901	latch assy.
.15	5	4720C3601	hinge
		4734E1861	rivet m25
	6	4351400012F	grey velcro loop (sold/yd.)
	7	4772-6641	shower door strap assy. x2
.25	8	4772C6921	rt. shower wall assy.
	9	4351400005F	gray velcro hook (sold/yd.)
.15	10	4772-4261	latch & strike
.10	11	4772C851	shower wall cap lt.
.10	12	4772B850	shower wall cap rt.
.10	13	4772D316	threshold cap
1.50	14	4772B8521	shower wall gazoodi
2.00	15	4772B8481	shower wall threshold
	16	4765-1131	speaker grill
.25	17	4772C6911	lt. shower wall assy.
	18	4060000086F	rubber seal (sold/ft.)
.20	19	4772A4441	wall pivot brkt.
.10	20	4772-4541	pivot rod & pal nuts
	21	1201B7071	pal nut m6
1.50	22	4772-4531	shower wall pivot brkt. x2
.50	23	4772A8541	shower cabinet top
	24	4772-862	speaker cainet. top
		4773-039	top carpet
	25	4765B1211	towel bar

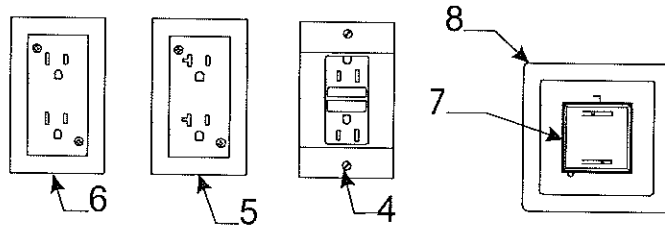


Flat Rate	Code	Part #	Description	Flat Rate	Code	Part #	Description
.50	1	4767-8001	microwave cabinet top	1.50	15	4772B8521	shower wall gazoodi
.30		4060475004P	t-molding pkg. (12' pc.)	.75	16	4767-801	cabinet front panel
.20	2	4773-0601	microwave	.75	17	4767A802	cabinet side panel
		4773-0681	microwave trim kit	.40	18	4752-3621	p-trap w/union joint
.15	3	4772-9241	door panel 14 1/4" x 10"	.19	19	4757-8561	drain plug adapter
2.00	4	4772B8481	shower wall threshold	1.00	20	4773-1051	1 1/4" vent elbow
.10	5	4733C4981	rocker switch	.20	21	4757-9261	vent cover "plastic"
1.00	6	4767-8291	shower pan	.50	22	4757-0911	metal nut
.50	7	4746A1821	basket & strainer	.10	23	4767A8271	vent closeout washer
1.00	8	4772-4801	tub surround rear	.40	24	4773-1001	vent coupler
.50	9	4741B2071	shower diverter	.80	25	4060012503P	vent hose (10' pc. pkg.)
1.00	10	4772A2981	tub surround center	.40	26	4765-3681	waste valve
.15	11	4767-0101	shower head w/bracket	.40	27	4765-812	3" elbow
.20		4767-0111	shower head brkt.	.40	28	4766-4681	conduit strap 4"
.20		4741B2051	shower hose 72"	.05	29	4765-3701	waste cap & strap
.10		4716-0848	shower hose connector	.10	30	4713-0191	v-handle "threaded"
.75	12	4767-8261	flush potty	.40	31	4766-075	90° elbow long
.75	12A	4767-8431	holding tank 9.5 gal.	.40	32	4766-920	long tee
		4713-0491	flange kit	.40	33	4765-356	45 elbow
1.00	13	4772B4811	tub surround frt.	.40	34	4773-1011	roof vent fitting
.15	14	4772-4561	wall rest block x2	.15	35	4756-9121	TP holder

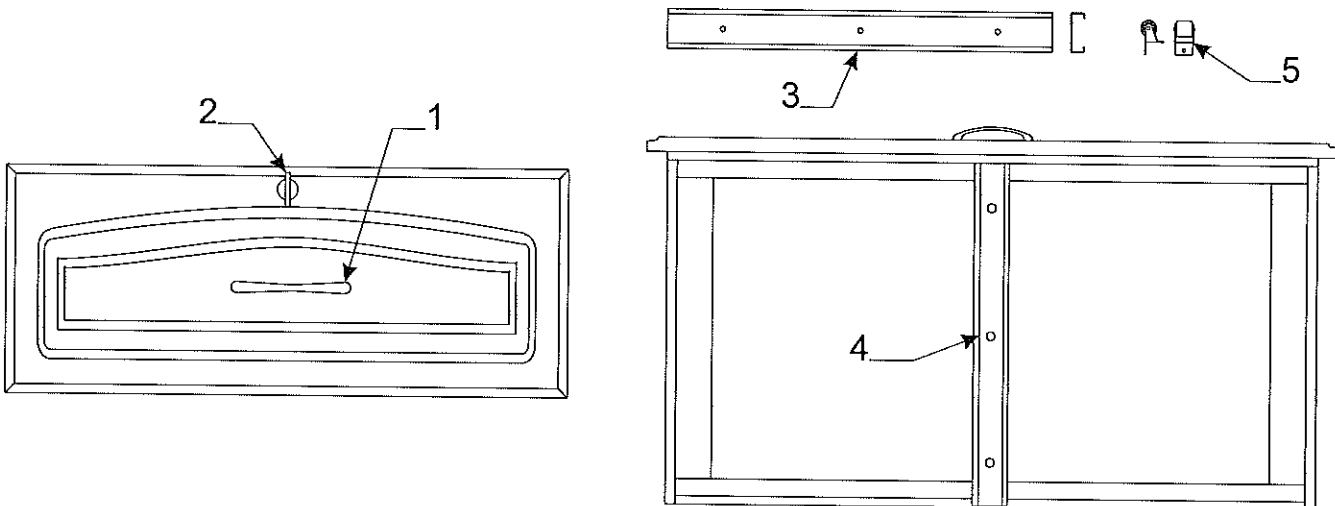
**WORLD FRIENDSHIP CO., LTD**  
 Warranty: 800-900-2468

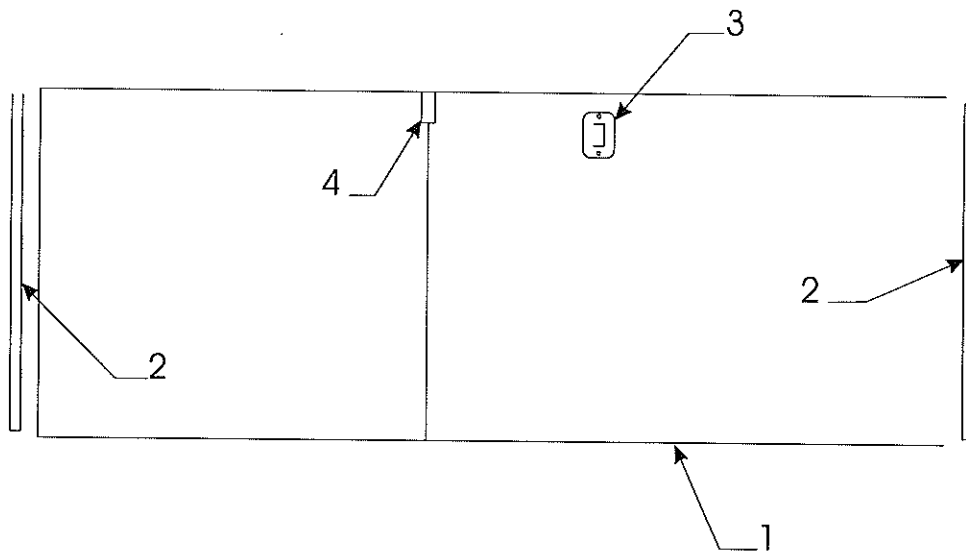


Flat Rate	Code	Part #	Description
1.00	1	4772A2441	converter 35 amp WFCO
.30		4757-3401	15/20 amp double breaker
.30		4757-3411	15/15 amp double breaker
.30		4765-9841	15 amp single breaker
.30		4757-8601	30 amp main breaker
.60	2	4772-1601	power cord 32 ft.
.25	3	4753C9171	lp gas detector
.35	4	4746B3841	15 amp GFI receptacle (white)
.35		4746D3841	15 amp GFI receptacle (brown)
.20	5	4752-2371	20 amp receptacle (white)
.20		4744-3081	20 amp receptacle (brown)
.20	6	4752-2361	15 amp receptacle (white)
.20		4710B3551	15 amp receptacle (brown)
.20		4765-4041	15 amp reefer receptacle (white)
		4746A3851	receptacle box
	7	4752A8461	thermostat
.20	8	4747-8391	plastic base & bracket



Flat Rate	Code	Part #	Description
.10	1	4755B2681	door pull w/screws
.15	2	4767-3601	chrome thumb turn lock
.15	3	4757A9091	14" metal drawer guide
.15		4757-8891	17" metal drawer guide
.25	4	4772-2011	20" pvc i-beam drawer guide
.10	5	4757-8911	drawer roller m2

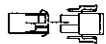
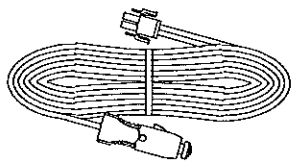




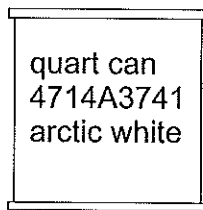
\* Prior Authorization Needed

Flat Rate	Code	Part #	Description
*	1	6010010997P	universal wall panel 4' x 8'
*	2	4060400380P	universal corner divider m2 48" pc.
.20	3	4746C0971	kill switch m4
.20	4	4356500012P	vinyl seam tape 1" x 150" roll

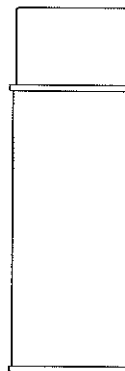
4733D6701 auto extension



4716A4701 12 volt cap & plug m2



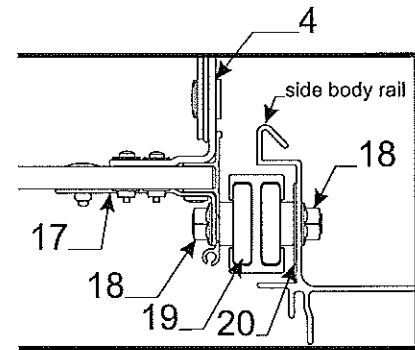
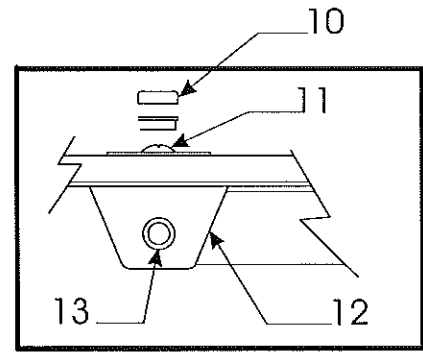
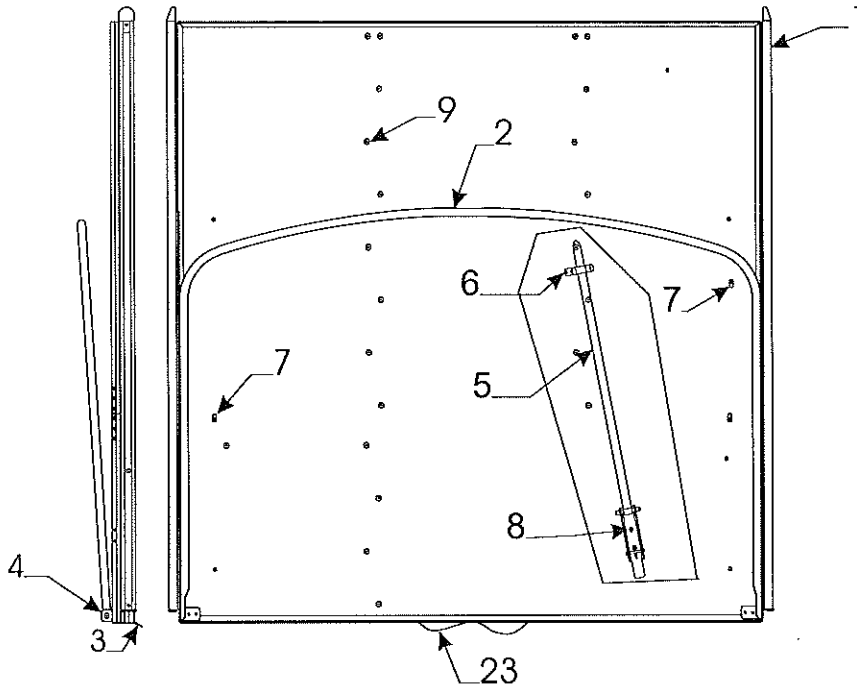
quart can  
4714A3741  
arctic white



16 oz. spray  
0008-2561 arctic white  
0008-2571 black  
0008-2641 black textured  
0008-2681 windsor birch



4745C3908  
caulking arctic white  
4767-4608  
TPO caulking arctic white

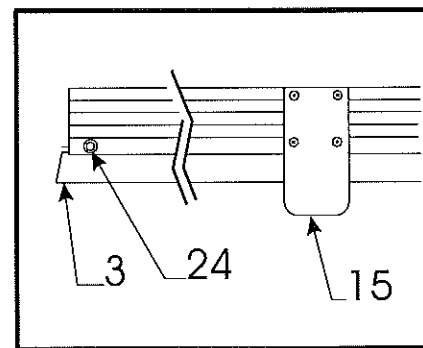
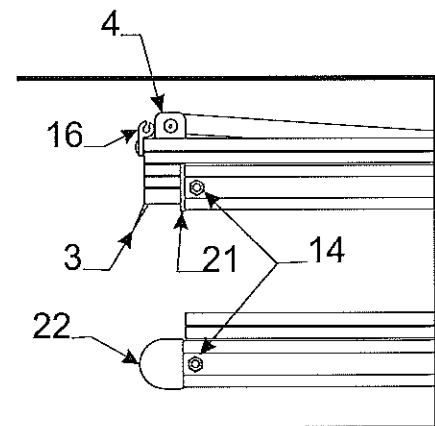


4031, 4033 - 4772A5321 Front Bed Assy. "Complete"  
 4031, 4033 - 4772A5311 Rear Bed Assy. "Complete"

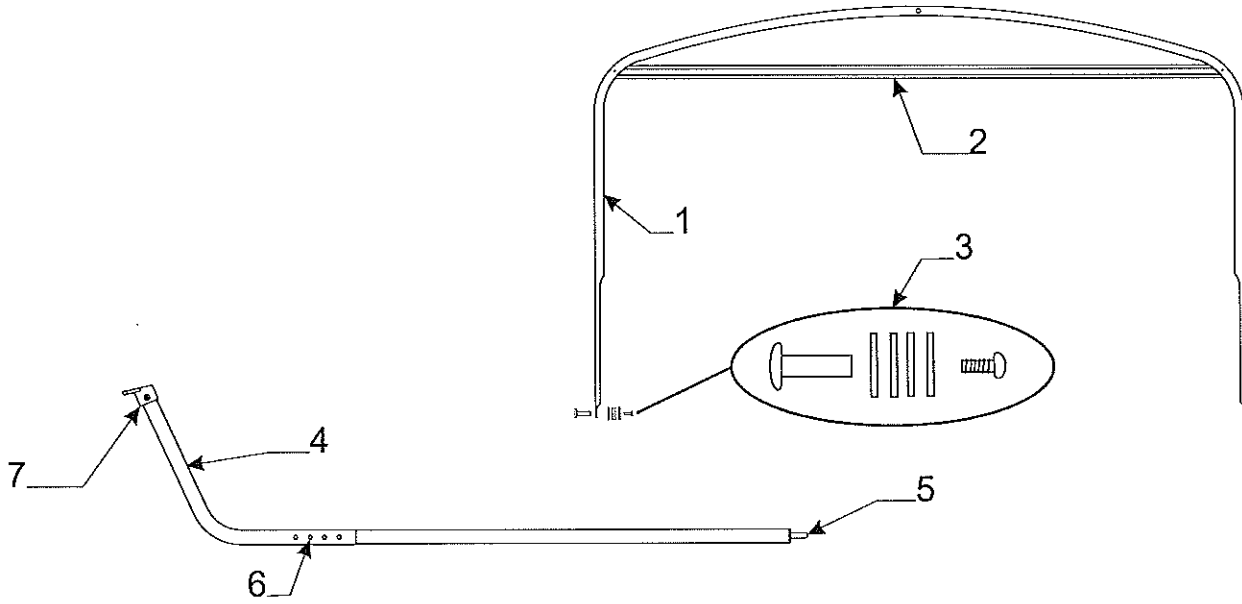
Flat Rate .75 Bed assy. replacement

Flat Rate	Front/Rear Bed Assy. Code	Components Part #	Description
*	1	4716U4031	bed extension (x2 per bed)
.25	2	4772A2091	tent bow/leg package
.25	3	4060300339P	vinyl bed seal (8' pc. pkg.)
.15	4	4720K5631	bed bow bracket m2
		4757-9241	1 1/2" plastic fender washer m4
		1203C8721	steel rivet m25 (affix bow to brkt.)
		1016B10148	machine screw x2 per brkt.
		1201B6958	wiznut x2 per brkt.
.30	5	4773-5311	bed leg assy. (x2 rear bed)
.30		4773-5321	bed leg assy. (x2 front bed)
.15	6	4757-4331	bed leg clip
		1203-8831	rivet m25 (rivet clip to bed)
.15	7	4720D4021	lashing hook m6
		1203-8741	rivet m25 (rivet hook to bed)
.20	8	4714-4521	mounting screws (pkg. x3)
	9	1203C8721	rivet m25
	10	4739E2908	screw cap m10
		4739-2918	screw cap washer m10
	11	4716-074	screw
		1202B2528	washer
.20	12	4734A5141	bed leg bracket
	13	4720A2361	rod & pal nut
.20	14	1034B16128	flat head screw
		1201B6378	lock nut
1.50	15	4772C1131	kill switch plate
		4746C0971	kill switch m4
.50	16	4758-8301	bed end retainer track & rivets
.20	17	4755A2591	bed brkt. w/hardware x4
	18	4739-2298	lock nut
.50	19	4754-8101	bed roller, nut, bolt, & washer pkg.
	20	1202B2908	washer
.15	21	4754-8631	bed slide end cap
.15	22	4754-4821	bed slide wedge
.20	23	4758-9481	pull-out handle strap & rivets
		4758-8001	rivet "black" m25
	24	4730A3548	snap stud w/screw

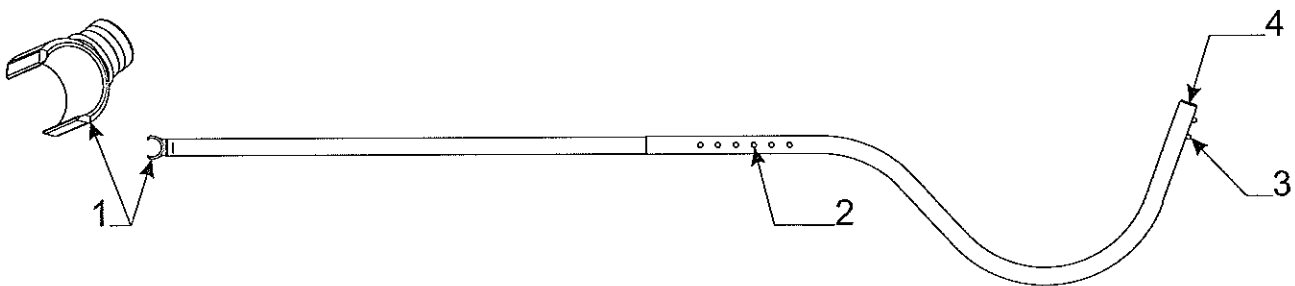
\* .50 First Bed Extension  
 \* .25 Second Bed Extension







Flat Rate	Code	Part #	Description
.10	1	4756C2071	glide-out tent bow
.40	2	4757A8021	curtain track
	3	4716-4451	bow mounting hardware pkg.
.05	4	4773A5131	glide-out tent support
.20	5	8470-1728	black pin m10
.10	6	4734-6708	snap spring
.10	7	4757-1351	tent support tip w/screw

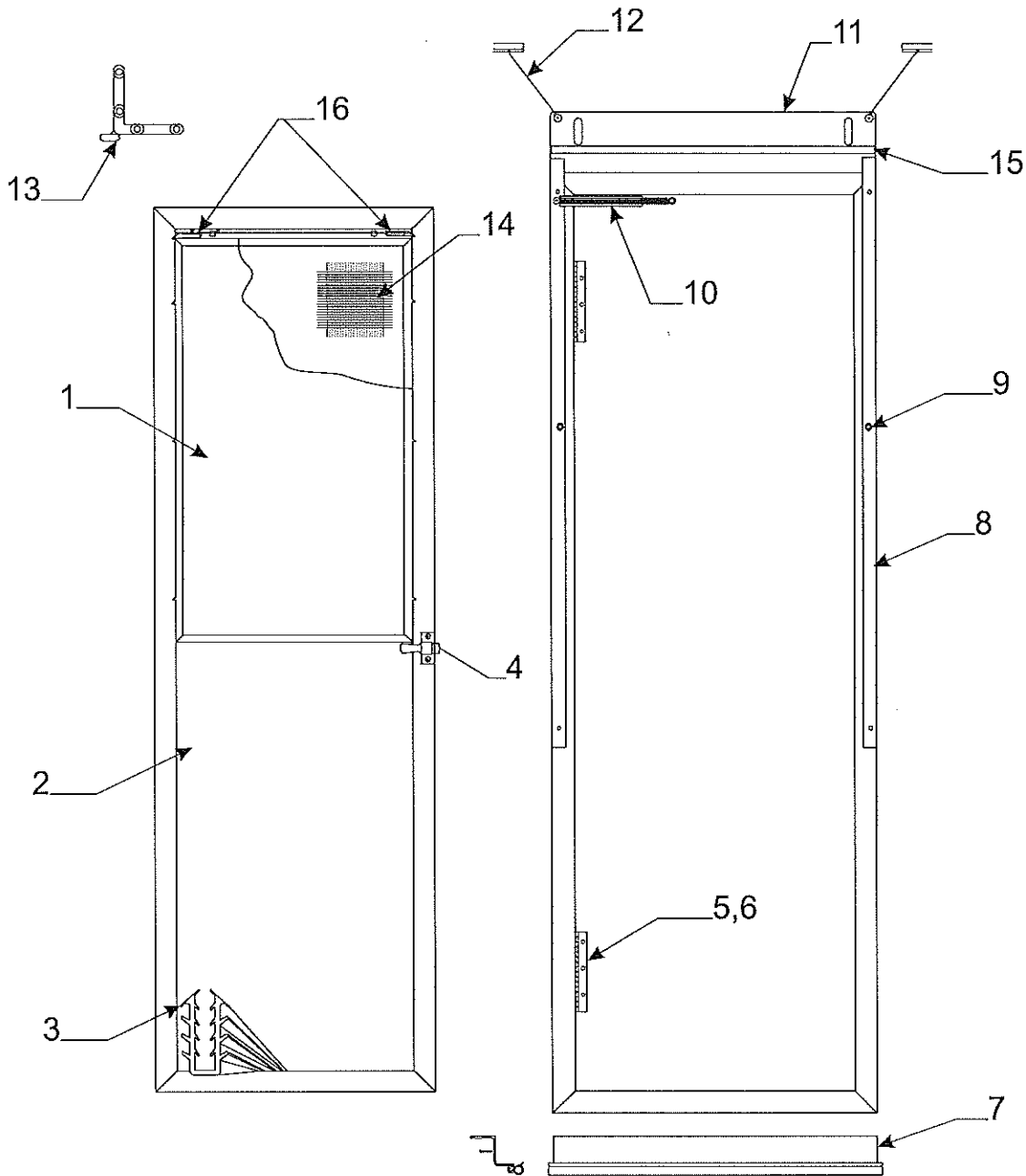


Flat Rate	Code	Part #	Description
.20	1	4757-4301	tent support clasp m10
.10	2	4734-6708	spring assy.
.10	3	4734A6708	spring assy.
.10	4	4752A0561	tube closure "black" m2

**Tent Support Assemblies (Complete)**  
**Flat Rate .10 per Tent Support**

**Front & Rear Beds**  
 4772B6021

<u>Mattress Assemblies &amp; Covers</u>		Flat Rate - Mattress Assy. .10/Cover .50
<u>Fr./Rear Matt. assy.</u>	<u>Fr./Rear Matt. Cover</u>	<u>Mattress Size</u>
4754K5341	4716K5341	Fr./Rear Bed - 77" x 70"

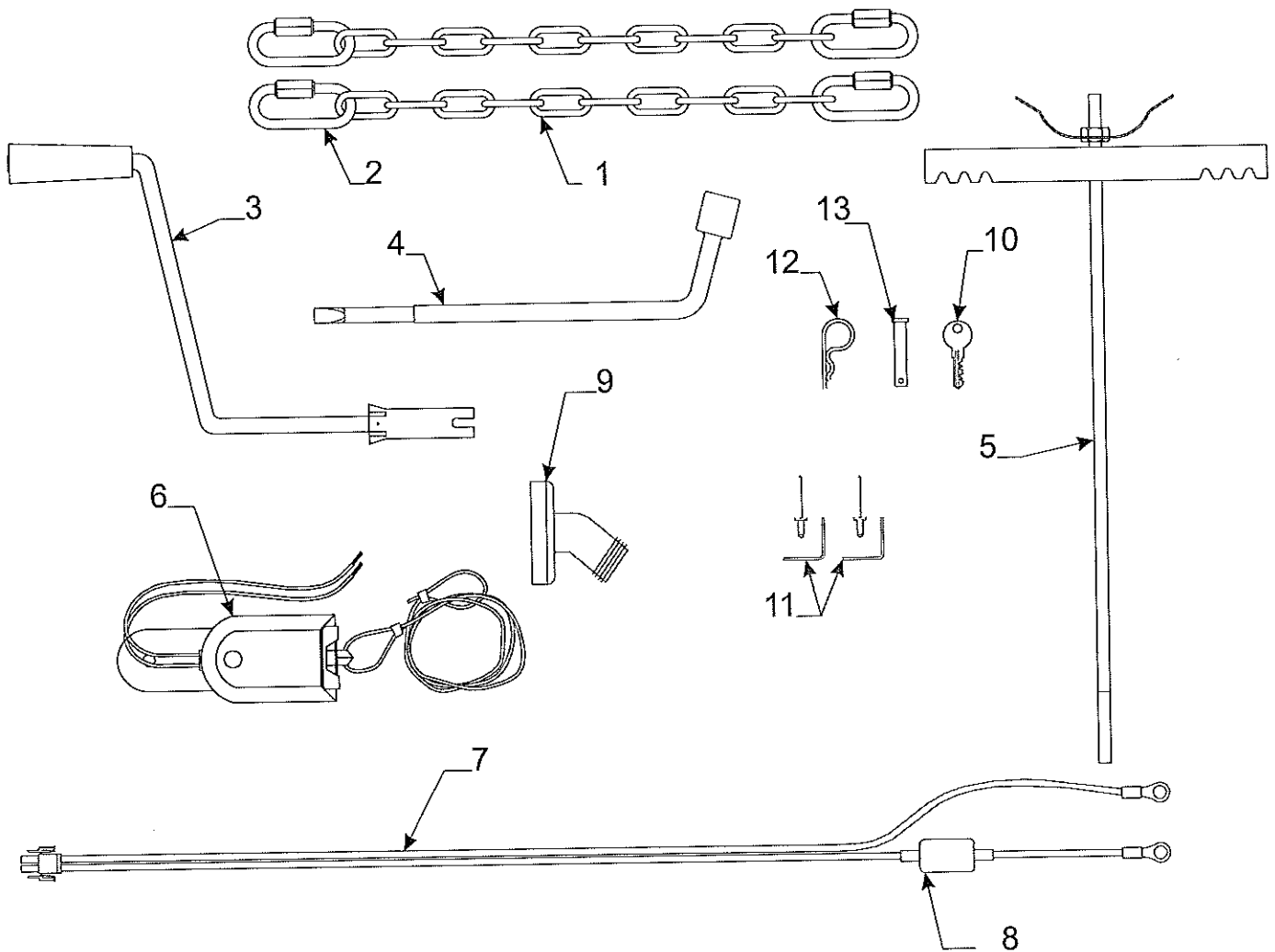


.30 Flat Rate Screen Door Complete

Note: parts marked w/\* asterisk are not included w/screen door

Flat Rate	Code	Part #	Description	Flat Rate	Code	Part #	Description
<b>4772A5031 Screen Door Assy.</b>							
.10	1	4716E3401	top sliding window pane	.05	9	4730A3548	stud w/screw x2
.40	2	4772-0361	stationary window pane	.20	10	4731A8201	spring package
.15	3	4060000086F	rubber seal (sold/foot)	.50	11	4773-0611	top bracket
			Note: around perimeter of window pane	.50		4773-063	top bracket hinge
.15	4	*4742-9671	door latch assembly	.15	12	4772A5181	cabl assy. m2
.15	5	4720C3601	hinge x2	.50	13	4710-3791	corner brace hinge m2
	6	1203-8641	rivet m25		14	4716-1381	screened stationary pane
.25	7	*4747A5621	screen door support	.75		4716-1111	screening 36" x 18 1/2"
		*4060000399F	rubber seal (sold/foot)	.10	15	4060000023P	d-seal "white" (5' pkg.)
.20	8	4754-3811	vel-stick (pkg. of 2)	.50	16	4716-3811	window lock pkg. rt./lt.

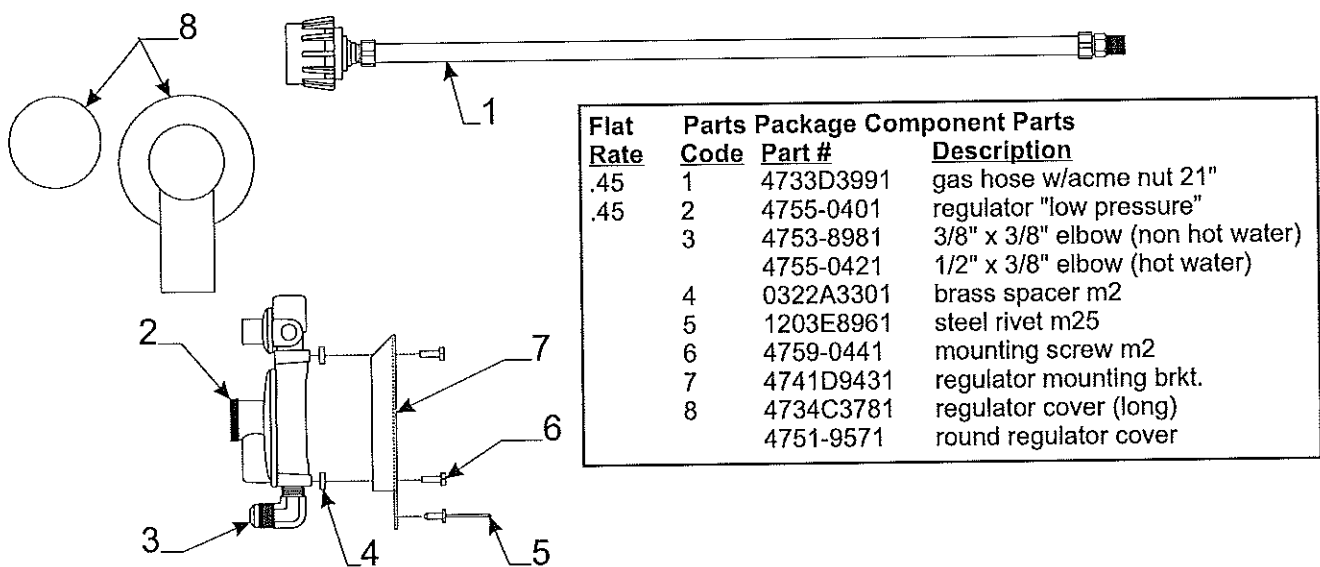
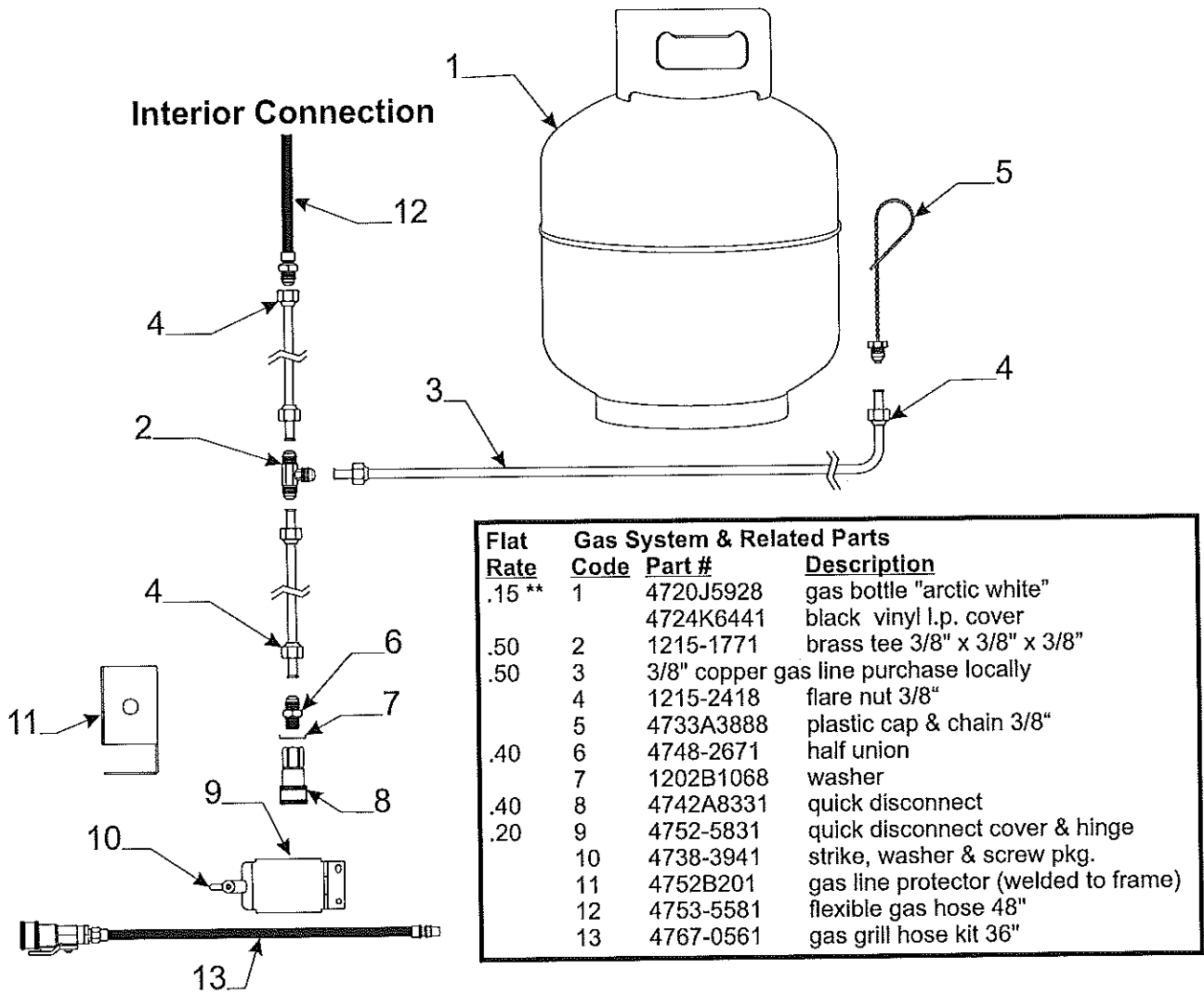


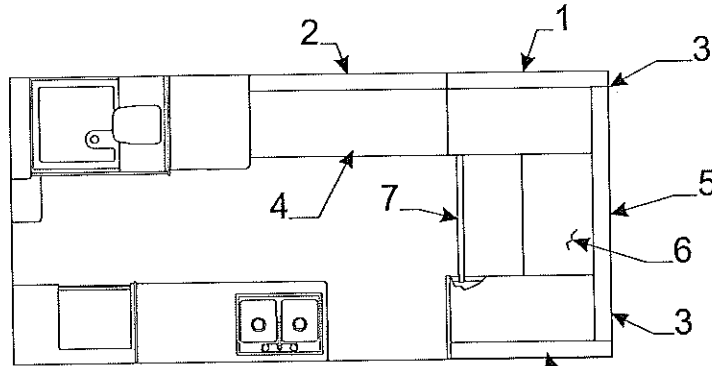


### 4772A6141 Parts Package

Parts Package Component Parts		
Code	Part #	Description
1	4757-3901	29" tow chain w/quick links m2
2	4757-3891	quick link (sold/signally)
3	4747G4141	crank handle
4	4749A1861	lug nut wrench
5	4772A9521	gas bottle hold down kit
6	4746-0401	breakaway switch
7	4749B5531	battery harness w/15 amp breaker m2
8	4751-4811	15 amp circuit breaker
9	4737-9138	drain adapter
10	4730B3211	key m10 # 8025 (gold plated)
	4716-7511	outside shower key m2 #CH751
11	4753E6781	battery angle pkg.
12	4732A4791	safety pin m10
13	4757-4491	hitch pin m5

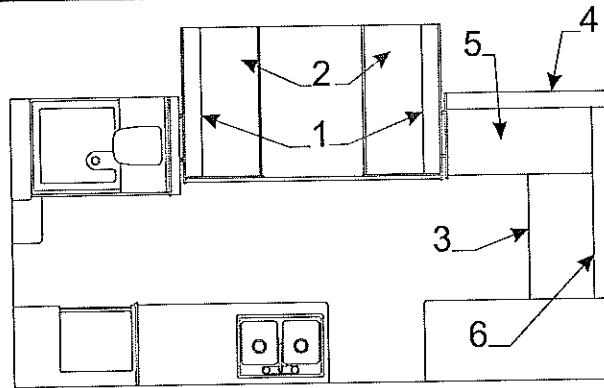
**\*\* Serial Number Of Gas Bottle Must Be Supplied When Submitting Warranty**





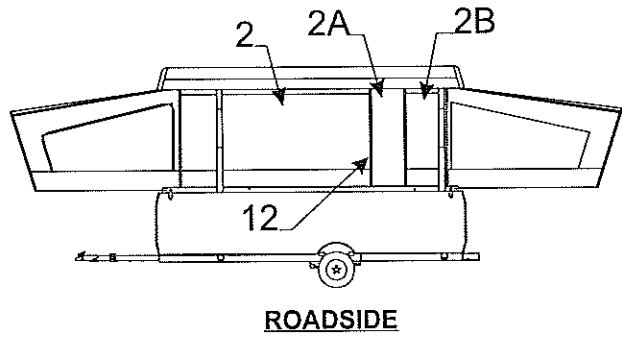
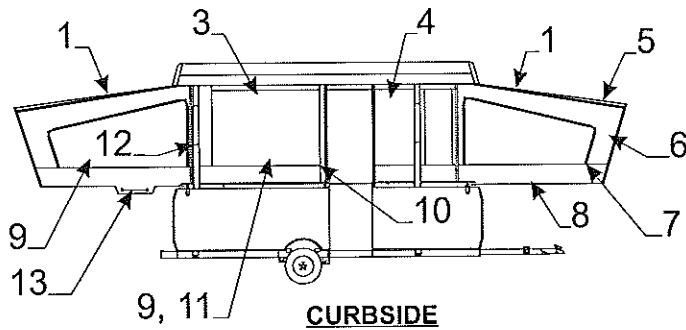
4773-6041 sequoia dinette/bed conversion kit  
used on units produced prior to 9/01/05

Flat Rate	Cushion & Backrest Assy's 4031 Sequoia		
	Code	Part #	Description
.10	1	4757-7091	backrest assy. 51 3/8" x 17 3/8"
.25		4715-7091	backrest cover
.10	2	4757-7101	backrest assy. 44 5/8" x 17 3/8"
.25		4715-7101	backrest cover
.10	3	4757-7081	cushion assy. 51 3/8" x 23"
.25		4715-7081	cushion cover
.10	4	4757-7071	cushion assy. 44 5/8" x 23"
.25		4715-7071	cushion cover
.10	5	4773-6021	cushion assy. 28" x 20"
.25		4715-6021	cushion cover
.10	6	4773-6031	backrest assy. 73" x 13"
.25		4715-6031	backrest cover
	7	4773-1301	cushion slat x3



Flat Rate .10 Assembly - .25 Cover

Flat Rate	Cushion & Backrest Assy's 4033 Niagara		
	Code	Part #	Description
.10	1	4755A7521	backrest assy. 42 1/4" x 15 5/8"
.25		4714A7521	backrest cover
.10	2	4755A7511	cushion assy. 42 1/4" x 19 3/8"
.25		4714A7511	cushion cover
.10	3	4773B5051	cushion assy. 35" x 23"
.25		4713B5051	cushion cover
.10	4	4773B5061	backrest assy. 45 3/8" x 13 1/2"
.25		4715B5061	backrest cover
.10	5	4773B5041	cushion assy. 35" x 23 1/4"
.25		4715B5041	cushion cover
.10	6	4773B5071	backrest assy. 54 1/2" x 13 1/2"
.25		4715B5071	backrest cover



Flat Rate	Code	Part #	Description
.50	1	4772B5901	front/rear boot 4031, 4033
.40	2	4772B5871	large window 4031 Sequoia
.40		4772B6761	large window "w/glide-out" 4033 Niagara
.15	2A	4773-5991	vent cover tent section 4031, 4033
.15	2B	4773-5981	rsr tent section 4031, 4033
.20	3	4772B6781	small window 4031, 4033
.15	4	4772B6771	door seal 4031, 4033
	5	8118501430P	top vinyl pkg. (85" x 3 yards)
	6	4716C0851	sunbrella patch package (12" x 14")
	7	6650500131F	zipper (sold/yard) used around window
		1225A4461	zipper pull m5
	8	8118001441P	bottom vinyl facing pkg. "burgundy" (3 yd. x 80")
	9	4714E1611	screen package (84" x 3 yards)
		4714A0361	screen package (84" x 13 yards)
	10	4350000009P	1" velcro hook (10' pc. Pkg.)
	11	4716-2401	clear window vinyl (41" x 2 yards)
	12	1225G3458	40 1/2" side zipper pin half
		1225G3448	40 1/2" side zipper slider half
.50	13	4060000245CP	shock cord (150' package)
.50		4714C6021	shock cord & hooks m2 (two 14' lengths)
.15		4724A2011	shock cord termination (plastic hook) m10
	14	4060000024F	arrowhead seal (sold/foot)
.30	15	4772-5921	extension harness
.50	16	4743-1588	k-kote seam sealer
	17	4728-5641	tent retainer pkg.
.30	18	4710-1001	vinyl daubing "white" m2
.30		4710-1011	vinyl daubing "grey"
.30		4713-0481	vinyl daubing "burgundy"

**Drape Package (Less Valance Pkg.)**

**Note: Drape Pkg. Includes Privacy Curtains x4**

Model	Drape Pkg.	# Of Panels	Flat Rate
4031 Sequoia	4772C5851	9	.30
4033 Niagara	4772C6791	9	.30

**Drape Tab C-Shape** m60 - 4750-2891 Flat Rate - .05

**Drape Tie Package** (Qty. 1) Flat Rate - .05  
4767-8371

**Valance Package**

4772C5861 - 4031 Sequoia  
4773A5671 - 4033 Niagara  
8166500030P - Valance C-shaped glide tape (3yd. pkg.)

**Privacy Curtain Pkg. (Set Of 2 Panels)**

.15 4715B0721 - Privacy Curtain pkg.

**Single Drape Panel W/Safety Straps**

.15 4715B0731 Drape pnl. 48" x 40"  
.15 4715B0741 Drape pnl. 21 1/2" x 40"

**Shower Curtain**

.15 4800A5741 - shower curtain pkg.  
4739-1191 - curtain carrier & hook m6  
4739-0671 - i-beam track stop  
4773A0821 - i-beam track  
4739-1201 - i-beam mounting brkt. m12

**Shower Valance** - 4772C2081

**Glide-Out Curtain & Valance**

4714K5531 - 4033 Niagara  
Flat Rate - .20

**Top Assy. (Complete) Flat Rate - 3.00**

4772B5011 Top Assembly 4031 Sequoia  
 4772B6741 Top Assembly 4033 Niagara

1.50 For A/C  
 1.00 For Crossbars  
 1.00 For Disposal

Flat Rate	Code	Part #	Description
.50	1	4772-0101	canopy track
.50	2	4716U1981	top corner pkg. (pkg. of 4)
		4350000058F	saturated foam tape (sold/foot)
		4745-3968	screw "painted"
.15	3	4750A9581	top strike m2
		4744C2461	torx head screw "painted" m2
		1201B6958	nut (x2 per strike)
1.00	4	4752-00791	center seam
		4060400096F	vinyl screw cover (sold/foot)
		4741-3508	hex head screw
		4350000058F	saturated foam tape (sold/foot)
.50	5	4756A0681	frt./rr. seal extru.
.30	6	4060000093P	tent track (frt./rear)
.30	7	4060000092P	tent track (side).
.05	8	4750-2891	drape tab c-shape m60
20	9	4728A5641	tent retaining pkg.
.15	10	4743-2501	screen dr. latch pkg.
	11	4767-3611	cove frt./rear
		4772A009	side cove rs/cs
		4747-2558	expansion rivet m25
	12	4733B4511	steel loop m2
		4350000125P	3" x 4" flexfred tape white
.20	13	4747D5521	lift pocket cover x4
		4741D3558	hole plug x2
.25	14	4741B5431	lift pocket x4
		1201B6378	lock nut ( x2 per pocket)
.15	15	4767-0111	shower head brkt.
.10	16	4755B5231	shower curtain i-beam track
		4739-1201	i-beam mounting brkt. m12
	17	1226D1381	stud w/rivet m2
	18	4759-1721	shower light
.15	19	4772-6631	curtain strap
.50	20	4060100399P	rubber top seal (40' package)
.25	21	4761-1958	fleetwood decal
.15	22	4744E4741	double light
		4758-1361	dome light lens
		1103B0814	screw x4
.15	23	4741F11381	tent support brkt.
		4741C9368	screw "painted" x2
	24	4716A8991	roof brace pkg.
.20	25	4350400004F	vinyl tape (sold/foot)
	26	1203-9258	plastic accordion rivet m25
.15	27	4734D5211	screen door cable m6
.15	28	4723A5061	strap x2
		4730A3548	stud w/screw x2
.30	29	4733H47181	screen door track x2
		4744B4611	expansion rivet m25
.10	30	4773A0821	i-beam track 3934
		4739-1201	i-beam mounting brkt. m12
		4753A9871	expansion rivet m25
.20	31	4749C5571	screen door bracket
		4747-2558	expansion rivet m25
		4749-2138	snap button m2
		1203-8631	rivet m25
	32	4758A4571	wardrobe hanger "plastic"
.15	33	4767-4641	carbon monoxide detector



