



2006

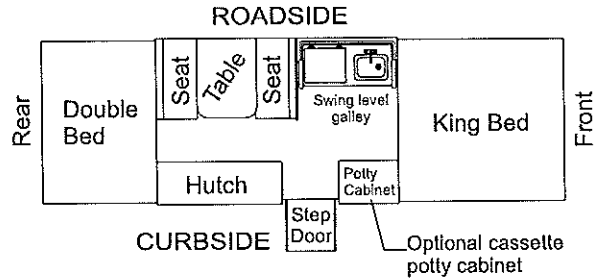
Americana Series

Repair Parts Catalog

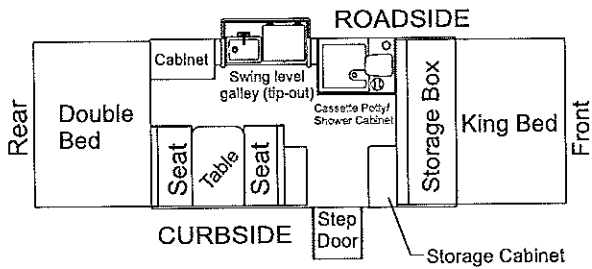
- 4089 Santa Fe 10'
- 4096 Cheyenne 10'
- 4059 Timberlake 10'
- 4050 Williamsburg 12'
- 4091 Sun Valley 12'
- 4078 Bayside 12'
- 4081 Utah 12'

2006 AMERICANA SERIES

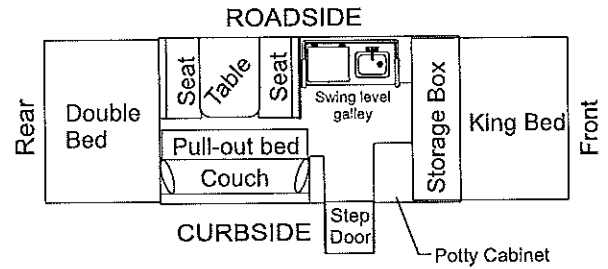
4089 Santa Fe 10'



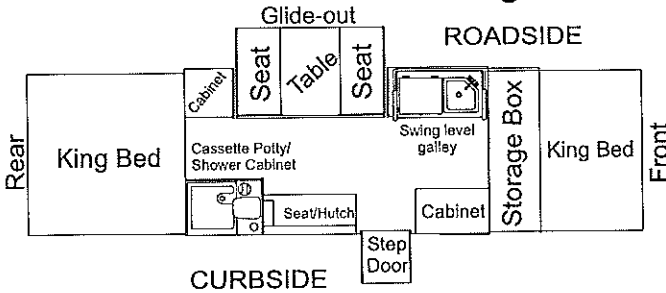
4059 Timberlake 10'



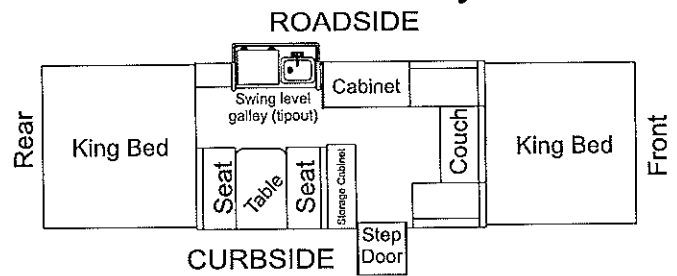
4096 Cheyenne 10'



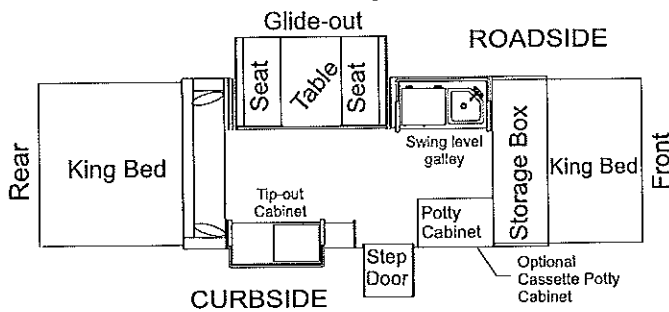
4050 Williamsburg 12'



4091 Sun Valley 12'



4078 Bayside 12'



4081 Utah 12'

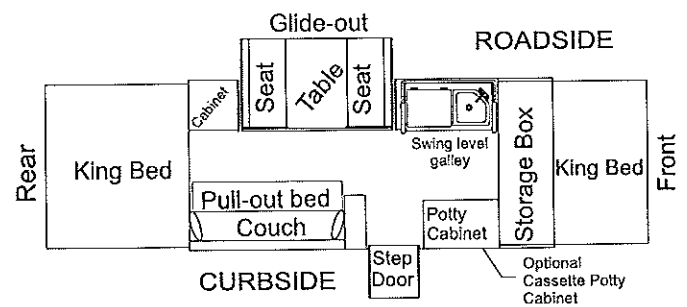
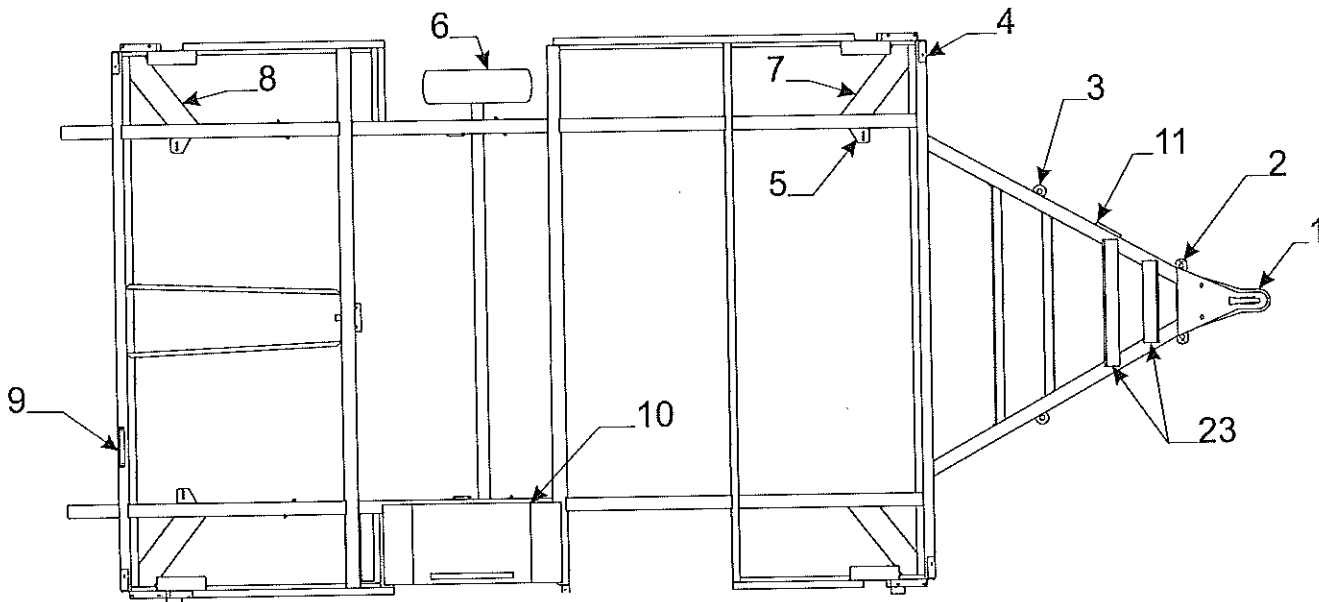


TABLE OF CONTENTS

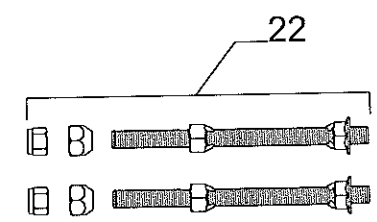
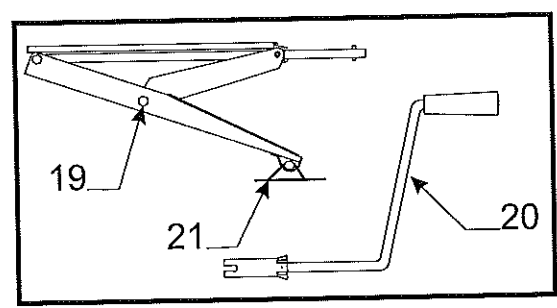
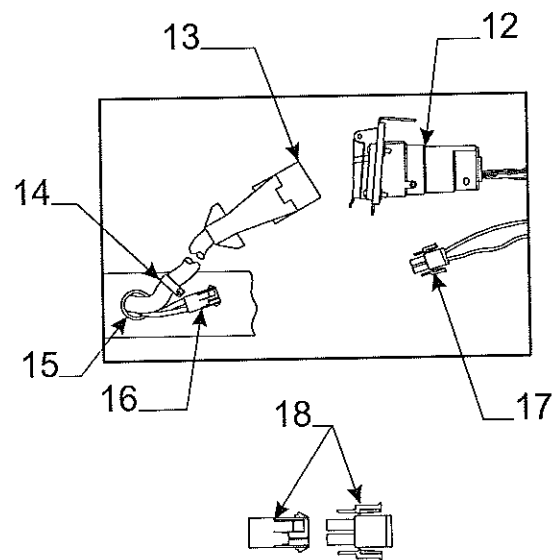
DESCRIPTION	PAGE
Access door key	30
Access door assembly & related parts	9
Auto extension	13
Axle assemblies & related parts	3
Backrest assemblies & covers	29
Bed assemblies.....	26
Bed extensions & related parts	26
Body panel right rear (curbside)	8
Body panel left side (roadside)	10
Body panel left side glide-out (roadside)	11
Body panel front & rear (plastic)	7
Body panel right front (curbside)	9
Body panel frt. (storage box units)	6
Bumper & related parts	7
Cabinet assembly (csf corner cabinets)	21
Cabinet assy. "rsr corner cab." - 4050, 4081	19
Cabinet/potty assy. csf - 4089, 4078, 4081	22
Caulking	13
Converter & related parts	20
Cooler (built-in)	14,17
Corner bulkhead assembly	2
Coupler assembly	2
Crank components (upper crank)	5
Crank handle	30
Cushion assemblies & covers	29
Door bulkheads	8
Drain assy./drain hose (used on sinks)	12
Drape packages & related parts	32
Drawer assembly components	20
Electric brakes & related parts	3
Fire extinguisher & components	22
Floor covering	2
Frame assembly & related parts	2
Gas detector	20
Gas hose (gas bottle hook-up)	31
Gas hose (RVQ grill)	31
Gas bottle mounting brackets	30
Gas quick disconnect (outside stove/grill)	31
Gas bottle cover (black vinyl)	31
Gas bottle & related parts	31
Glide-out components	11
Glide-out tent bow & support	25
Grease cap (EZ lube cap)	3
Hub assembly & related parts	3
Hutch assembly roadside - Sun Valley	19
Hutch assembly csr - Santa Fe	22
Hutch/Seat assy. csr - Cheyenne, Utah	23
Hutch assy. dr.way lt. - Timberlake, Sun Valley	21
Lift assemblies & related parts	4
Lift trim & miter covers	8, 9
Lower galley assy. - 4089,59,96,50,78,81	14
Lower galley components - Sun Valley	15
Lower cs vanity cabinet components - Bayside	16
Lug wrench	30
Mattress assemblies & covers	26
Outside shower assy.	10
Paint (spray & quart can)	13
Paneling & trim	13
Parts package & components	30
Pigtail (car end)	2

DESCRIPTION	PAGE
Potty cabinet curbside frt. - 4089, 4078, 4081	22
Potty "cassette"	17, 18, 22
Potty Curtain - 4089, 4078, 4081	29
Power cord (converter)	20
Receptacle (exterior)	8
Receptacle (interior)	20
Refrigerator vents	10
Regulator & fittings	31
Safety chains	30
Screen door & related parts	28
Seat bench component parts	24
Seat bench "rear center" - Bayside	23
Shower curtain	32
Shower curtain rod - Timberlake, Williamsburg ..	33
Shower stall w/potty - Timberlake	17
Shower stall w/potty - Williamsburg	18
Shower head & hose (inside shower)	17, 18
Shower (Outside shower assy.)	10
Sink & related parts	12
Spare tire cover (black vinyl)	2
Spare tire mount package	2
Stabilizer assembly	2
Stabilizer handle/lug wrench combo	30
Storage box components	6
Stove components (upper galley)	12
Table assemblies & related parts	13
Taillights (rear body panel)	7
Tent support assemblies & related parts	25
Tenting & related parts (sunbrella)	32
Thermostat (Hydro Flame)	24
Thrust bearing	4
Tie backs (curtains)	32
Tip-out/Glide-out tent bow & support	25
Tire & rim	2
Tire cover "black vinyl"	2
Tongue jack & related parts	5
Top assemblies & related parts	33
Trim tape kits	8,9,10,11
Upper crank assy. & components	5
Upper galley compts - 4089,59,96,50,78,81	14
Upper galley components - Sun Valley	15
Upper cs vanity cab. components - Bayside	16
Valance package	32
Water heater	27
Water faucet	14, 15
Water system & related parts	27
Wheel well	2
Whiffletree & related parts	4
Zipper (tenting assemblies)	32

Axle/Brakes - Dexter	219/295-1900
Cassette Potty - Thetford	800/444-7210
Converter - World Friendship Co.	800/900-2468
Furnace - Hydro Flame #7916-11	800/546-8759
Mixer Faucet - Empire Brass	800/431-6440
Refrigerator - Dometic	800/216-5115
Stove/Grill - Vitco	877/825-8528
Tires - Kenda	800/225-4714
Water heater - Suburban	423/775-2131
Yakima bike rack - to obtain repair parts ..	800/925-4621



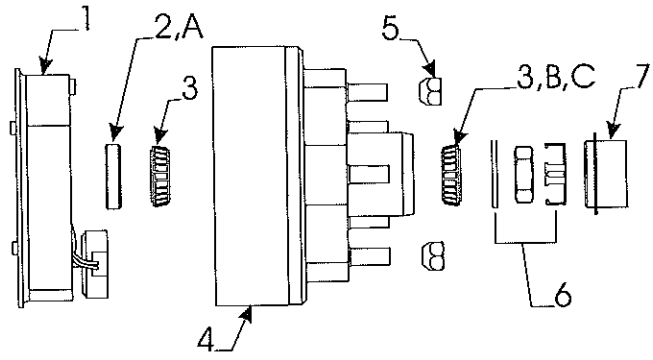
Flat Rate	Frame Code	Assembly Part #	Component Parts Description
1.50	1	4742-2001	coupler assembly
.25		4714A2211	coupler repair kit
.75	2	4748-6611	chain bar w/pins
.75		4720A3561	chain bar w/o pins
.50	3	4758-0381	bed leg pin & washer
.10		4747-8941	pin cover m2 (plastic)
2.00	4	4758A6681	corner bulkhead csf/rsr
2.00		4758A6691	corner bulkhead rsf/csr
		1203C8751	rivet m25 (rivet bulkhead to frame)
.75	5	4732E3671	adjustable pulley brkt. x4
.25		4715A5371	pulley & bearing m10
		4720C1578	short pin m4
		1204B1081	cotter pin m10
.25	6	4772-3598	mag tire & rim 13" Id "D"
		4753E8168	spare tire & rim 13" Id "D"
		4716E8168	13" LR "D" tire only Kenda
		4723G3161	13" tire cover "black vinyl"
.05		4772-3601	chrome lug nuts m5
.25		4772-4141	star mag center cover
	7	4755B6641	stabilizer plate csf/rsr
	8	4755B6651	stabilizer plate rsf/csr
1.00	9	4754F5101	spare tire support "rear"
2.00	10	4759-0931	wheel well assy. 4089
2.00		4759-0791	wheel well assy. (all except 4089)
.75	11	4720B3331	jack bracket (welded to tongue)
	12	4746A5591	pigtail - "car end"
	13	4753B3751	trailer harness
	14	1201-8738	3/8" clamp
		1203C8721	steel rivet m25
	15	4742-8108	1 1/4" snap bushing
	16	4716A5001	12 volt power harness
.15	17	4749B5531	12 volt wire harness m2
	18	4716A4701	12 volt cap & plug m2
.25	19	4751A3351	stabilizer assy. (screw down)
		4751-8208	tapping screw (3 per stab.)
	20	4747G4141	crank handle
.10	21	4755-6841	sand shoe (set of 4)
.25	22	4741B5791	spare tire mount kit (all)
*	23	4716A1751	battery angle pkg. (non box models)
		4716A7151	battery angle pkg. (box models)



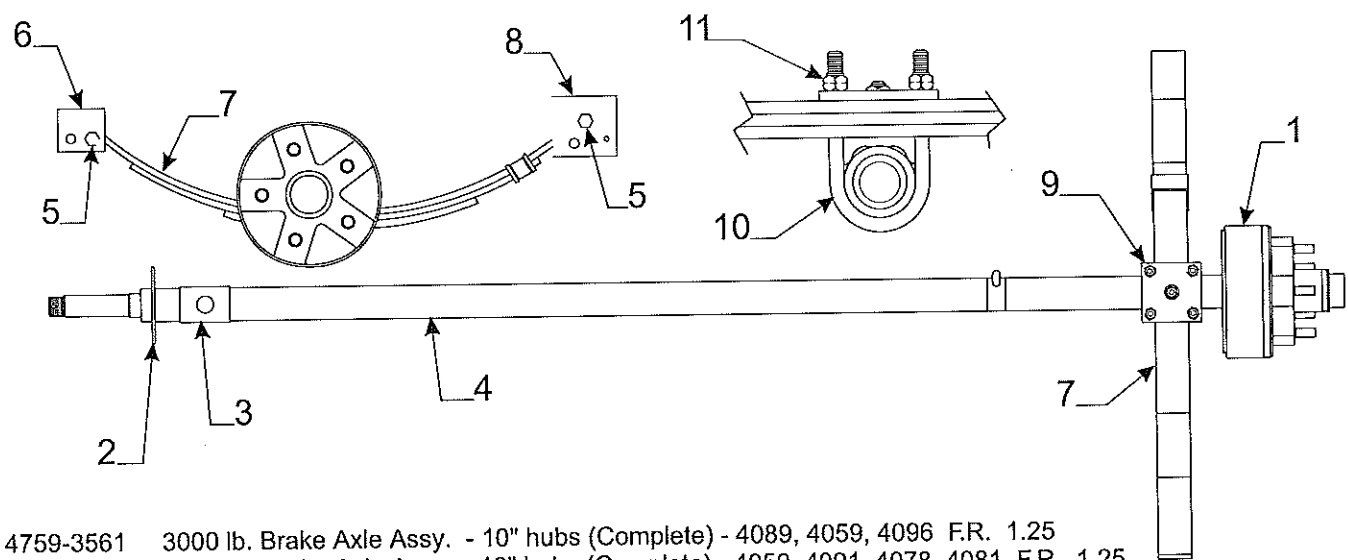
* 6610007209P floor covering pkg. (7 1/2' x 14')
 * Prior Authorization Needed From Factory

**Flat Rate .50 Per Side
Electric Brake Pkg. 10" x 2 1/4" (4714J2011)**

Flat Rate	Code	Part #	Description
.50	1	4716-6251	10" brake assembly (right hand)
.50		4716-6261	10" brake assembly (left hand)
.50	2	4716A1441	10" grease seal (2 per pack)
.50	3	4716A1451	10" bearing, race & seal pkg.
.30	4	4716-1431	10" hub & drum x2
.05	5	4747A9528	lug nuts x5
.10	6	4714A3061	retainer package
.10	7	1204-1268	cotter pin x1
.05	8	4714C0621	EZ lube grease cap m4



Crossover Numbers To Purchase Locally
A K71-303-00 Grease Seal
B L44649 Bearing "outer"
 L68149 Bearing "inner"
C L44610 Race "outer"
 L68111 Race "inner"



4759-3561 3000 lb. Brake Axle Assy. - 10" hubs (Complete) - 4089, 4059, 4096 F.R. 1.25
 4730W3011 3500 lb. Brake Axle Assy. - 10" hubs (Complete) - 4050, 4091, 4078, 4081 F.R. 1.25

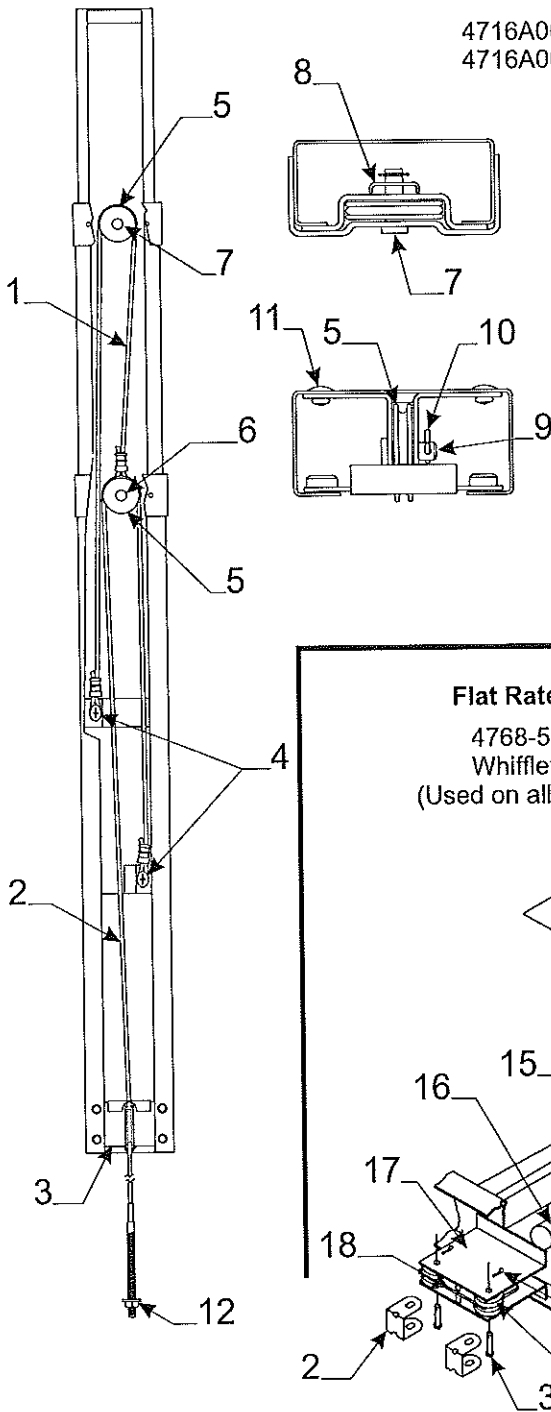
NOTE: limited parts stocked for Dexter Axles, for required part (s) phone - 219/295-1900

Flat Rate	Code	Part #	Description	Flat Rate	Code	Part #	Description
	1	Note: refer above for hub & components		.75	7	4735G22081	leaf spring (3 ply) 3000 lb. axle
*	2	4741A8471	brake plate 3000 lb. axle	.75		4735H22081	leaf spring (4 ply) 3500 lb. axle
*	3	4741-8461	spring pad channel m2	2.00	8	4741C3398	spring shackle (front)
1.00	4	4716F6251	axle beam 3000 lb. axle	.50	9	4741-8458	u-bolt plate 3000 lb. axle
.25	5	4737A1318	shackle bolt	.25	10	4741A8438	u-bolt 3000 lb. axle
		4741-9498	shackle bolt nut		11	4741-9358	u-bolt nut 3000 lb. axle
2.00	6	4741A3398	spring shackle (rear)				

* PRIOR AUTHORIZATION NEEDED FROM FACTORY

Flat Rate 1.25 Per Lift Assembly

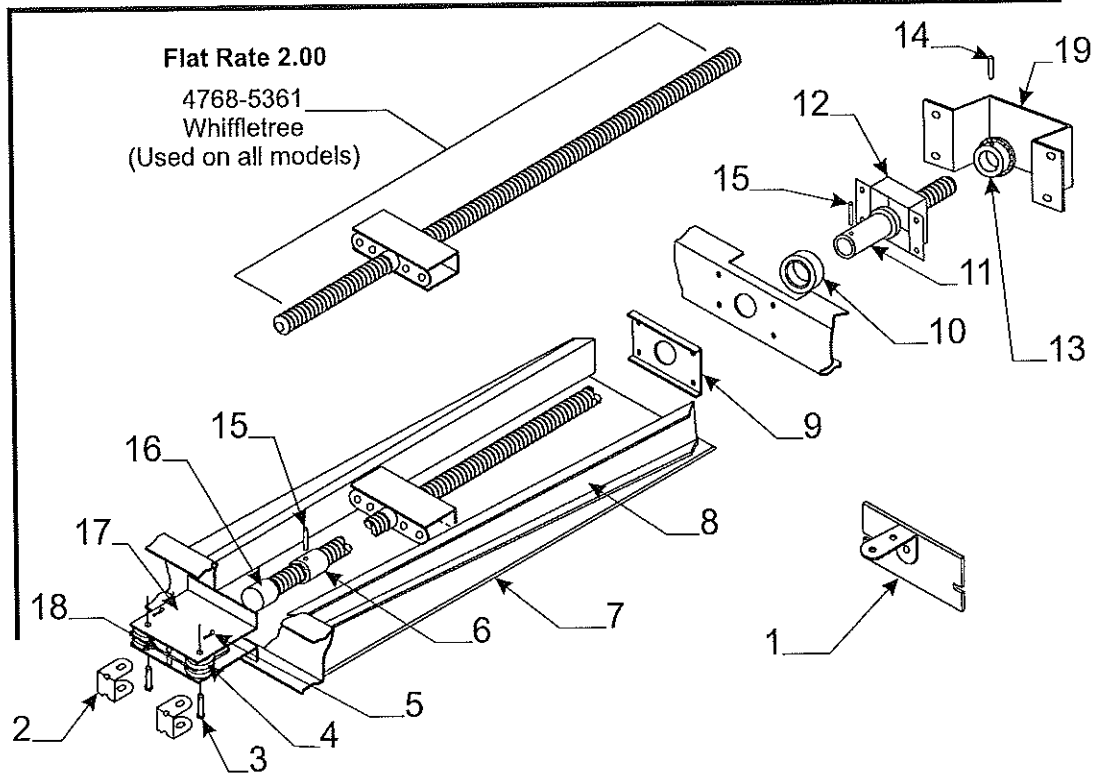
4716A0031 lift assembly roadside rear/curbside front (all)
 4716A0041 lift assembly roadside front/curbside rear (all)



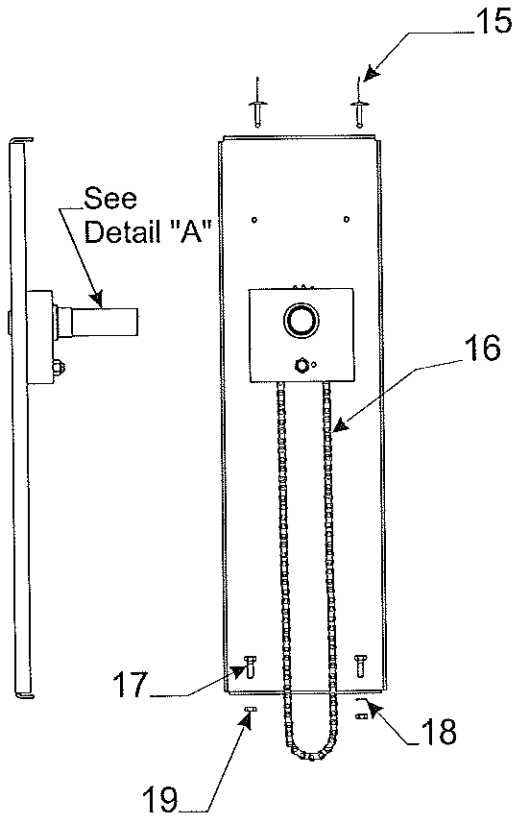
Flat Rate	Lift Assembly Code	Part #	Description
.75	1	4720D5271	cable assembly x1 m2
		4720C1691	cable crimp m20
1.25	2	4754A6121	184" long cable & crimp
		4744-1318	copper cable crimp m10
1.25	3	4731C5801	butterfly bracket assy.
.05	4	4749-2081	screw m6
.50	5	4715A5371	steel pulley & bearing m10
.25	6	4747-8931	long pin x2
		4730B0981	retaining ring m12
.25	7	4749-4061	short pin m4
		4730B0981	retaining ring m12
.25	8	4749A2028	retaining clip
.45	9	4720C1578	lift pin m4
	10	1204B1081	cotter pin m10
	11	1203-8641	rivet m25
	12	1201B6378	1/4" lock nut

Flat Rate 2.00

4768-5361 Whiffletree
 (Used on all models)



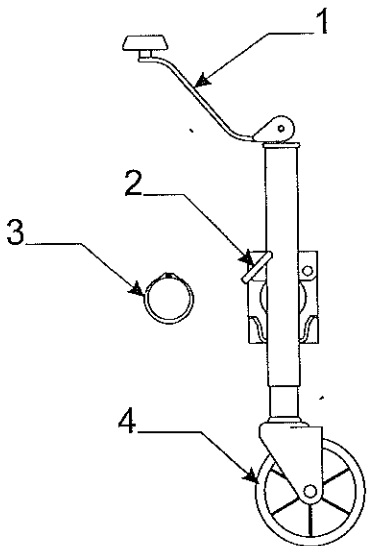
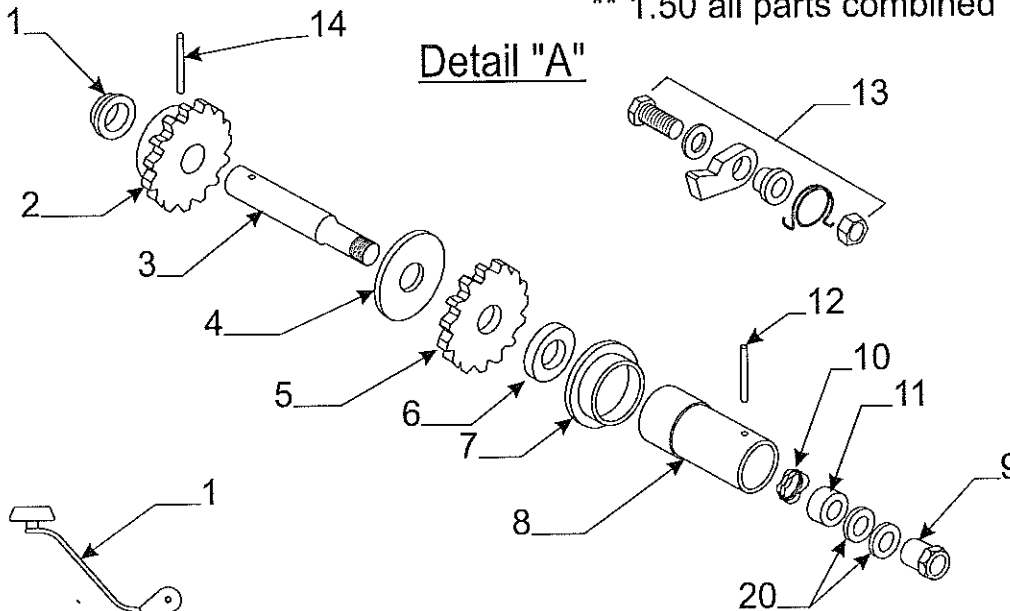
Flat Rate	Whiffletree & Related Parts Code	Part #	Description	Flat Rate	Code	Part #	Description
.15	1	4749A821	mud flap & brkt.	1.50	10	4720B2421	thrust nut bearing
.50	2	4744B1741	cable retainer x2	1.50	11	4720B2388	thrust nut
.20	3	4720J1561	long pin m4	1.50	12	4720B2408	bearing housing
.50	4	4715A5371	pulley & bearing m10	1.00	13	4730B3848	sprocket 12 tooth
.10	5	1204B1081	cotter pin m10		14	4720D1481	roll pin m10
1.60	6	4710B4248	bushing	1.00	15	4744A1301	shear pin m10
.25	7	4752B4921	whiffletree pan cover	2.00	16	4730D1291	screw socket (welded)
.25	8	4720F237	pan cover side (welded)	2.00	17	4720-1551	pulley plate
	9	4720C2418	plate	.50	18	4715D5661	pulley spacer
					19	4758A0481	chain cover



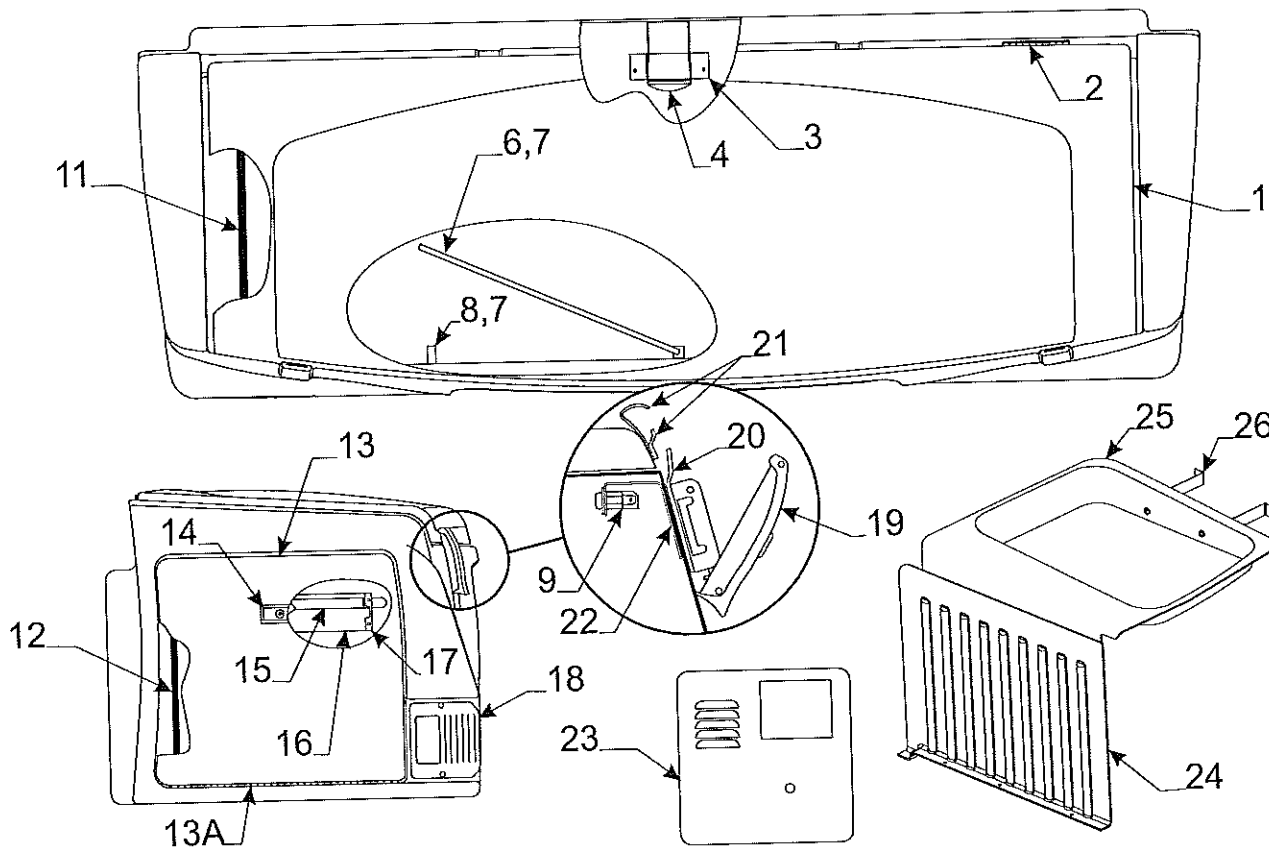
Flat Rate 1.50 complete assembly			
4768A6801 Crank & Sprocket Assy.			
Flat Rate	Code	Part #	Description
**	1	4751-3501	shaft bushing
**	2	4730C3858	sprocket 22 tooth
**	3	4751A3521	drive shaft & nut
**	4	4751-3561	pressure plate
**	5	4751-4831	ratchet wheel
**	6	4751-3581	pressure washer
**	7	4751A3591	shaft bushing
.75	8	4751-6511	drive hub extension pkg.
Note: package includes parts marked w/asterisk (*)			
	9	*4751-3551	5/8" nut (Fine Thread)
		*4751B3551	5/8" nut (Coarse Thread)
	10	*4752-3921	handle spring m2
	11	*4751-4671	nylon washer
	12	*4747A9451	spiral roll pin m6
.60	13	4716-1221	ratchet pawl package
	14	4759-0621	1 1/2" shear pin m10
	15	1203C8721	rivet m25
1.50	16	4759-8031	chain (w/connecting link)
		4730A3811	connecting link
	17	4731-3878	hex head bolt x2
	18	1202B0438	washer
	19	1201B6038	hex head nut
**	20	*4757-3938	washer

** 1.50 all parts combined

Detail "A"

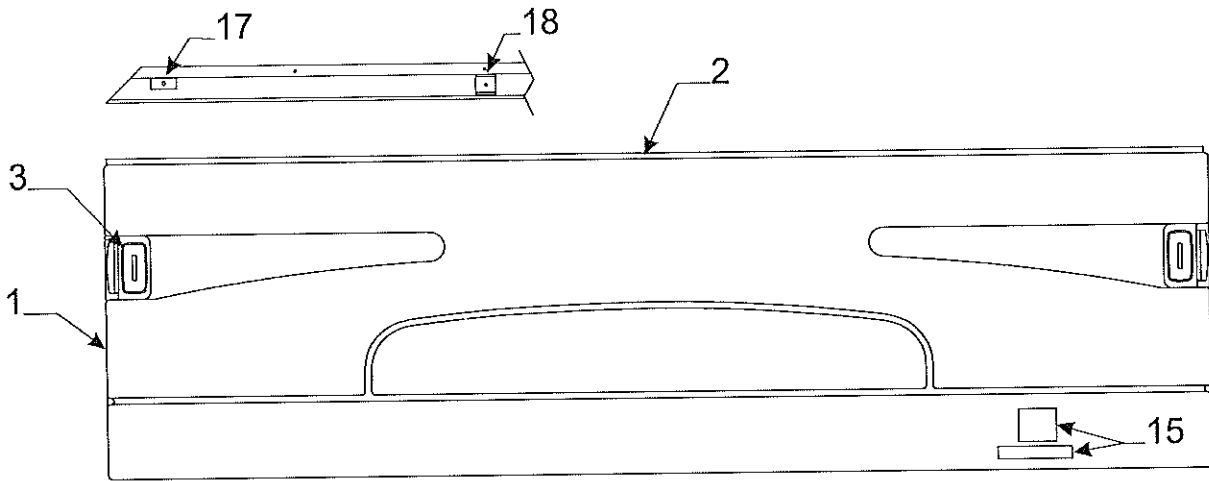


Flat Rate .10 Jack Removal			
Tongue Jack Assembly (4720C6661) "Norco"			
Flat Rate	Code	Part #	Description
.15	1	4716-1951	jack handle kit
.15	2	4716-1981	locking plunger kit
.10	3	4720A3341	snap ring
.25	4	4716-1971	jack wheel nut & bolt

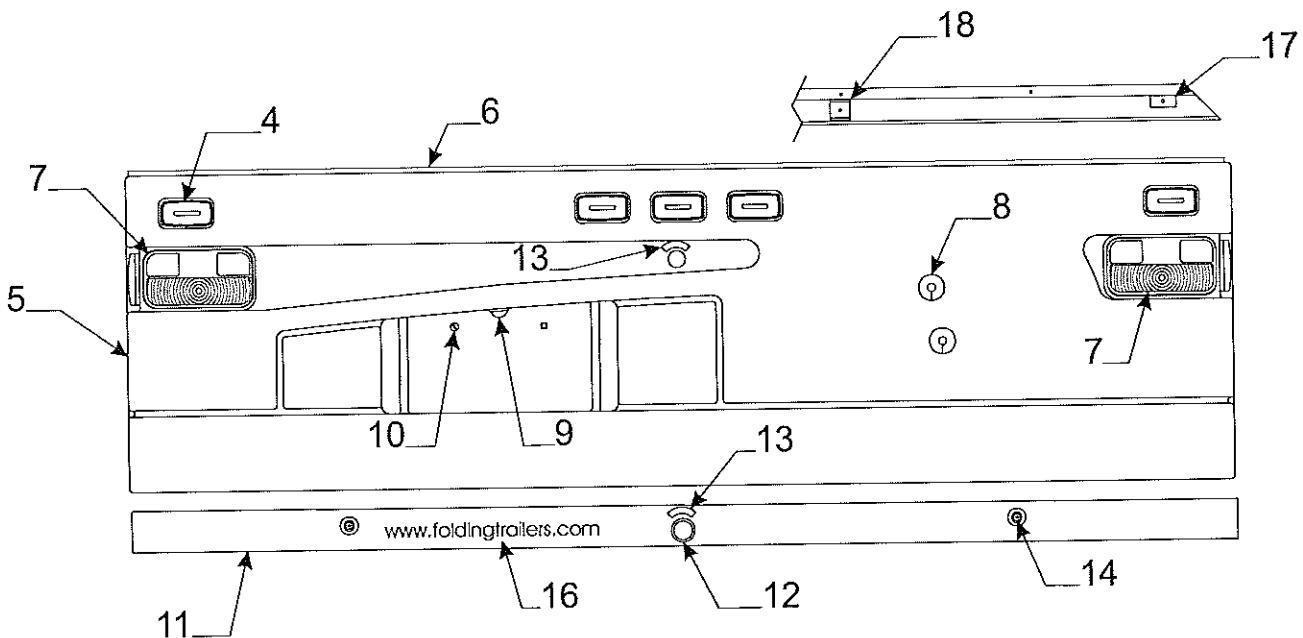


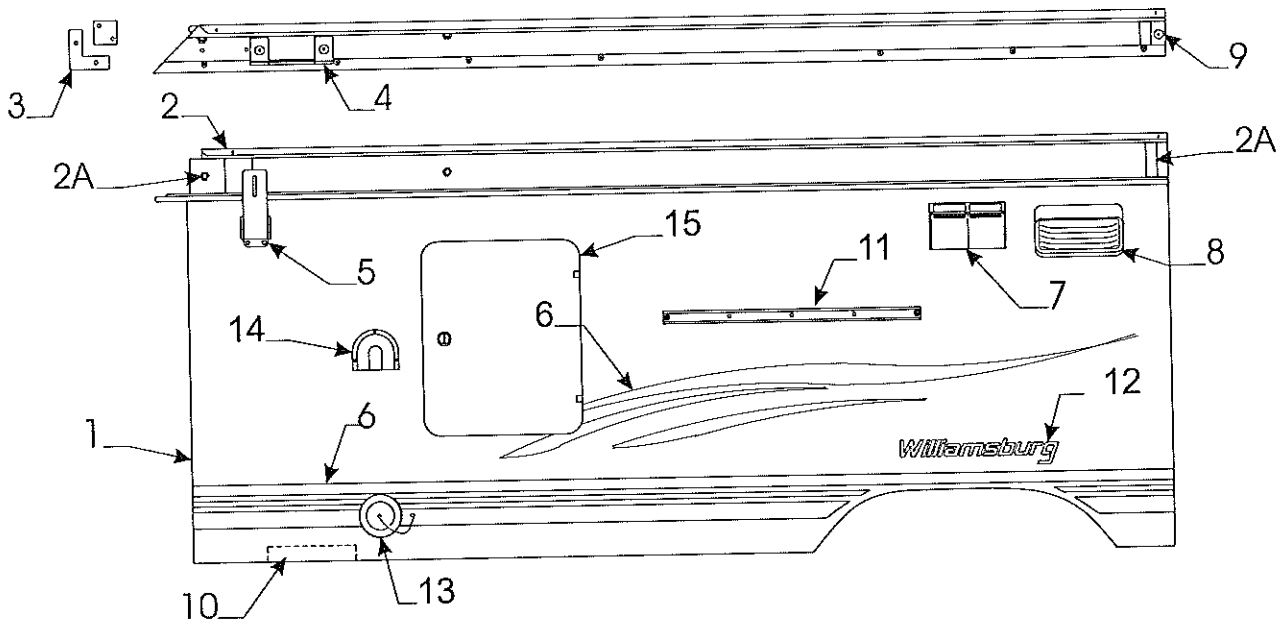
Front Storage Box Assy. - 4096, 4059, 4050, 4078, 4081 1.25 box replacement, add .75 for water heater

Flat Rate	Storage Box Component Parts	Flat Rate	Code	Part #	Description
	Code Part # Description				
.50	1 4758-9861 storage box lid		15	4768-6631	cargo door lock bar assy.
.20	2 4759B0041 lid hinge x3			1202B1068	fender washer
	4759-1711 3/8" ss screw m12		16	4759-0031	cargo door lock pan "black"
	1202E1111 ss washer m12			4747-2558	expansion rivet m25
.50	3 4769-5001 support post assy.		17	4759-0371	lock pan angles x2 "black"
	1203-8831 rivets m25			1203-8651	rivet m25
.25	4 4759-1721 cargo light	.15	18	4759-0261	wraparound marker light amber
	4744C4611 expansion rivet m25			4716-1001	amber lens
	5 4759-0911 drain plug (not shown)			4758-1201	expansion rivet m25
	6 4751B1181 prop rod			4759-1871	1/2" black vinyl seal washer m12
	4751-1208 push nut			4350000028P	butyl tape 6' pc. pkg.
	4751C1191 prop rod bracket	.15	19	4759-0191	lid latch "locking"
.10	7 4734-2431 gripper clip m4		Note: lockable latch used in place nonlocking latch		
*	8 4739B2901 snap cap & washer m12		20	4759A0521	lid stop bkrt. "black"
	9 4759-0381 cargo light on/off switch			4759-0551	flat head tek screw m12
	10 4060037501P 3/8" convoluted tubing 10' pkg. 15		21	4759-0201	lid latch strike
	Note: Tubing covers interior box wire harness			4767-0891	finger pull tab
.75	11 4060000601P lid seal pkg. (15' pc.)			4759-0218	strike screw x2
.20	12 4060000689P cargo door seal (6' pc. pkg.)			1201B6958	keps nut x2
.50	13 4758-9851 cargo door (less hardware)	.25	22	4759-0361	switch bracket
.50	13A 4759-0071 cargo door hinge	.30	23	4716A1331	water heater door "gray"
	4747-2558 expansion rivet m25	.30	24	4759A2681	water heater cover side
	4759-1711 3/8" ss screw m12	.30	25	4759A2671	water heater cover top
.15	14 4730C3111 cargo door lock w/key		26	4759-2661	water heater cover brkt.
	4759-0531 lock seal			4732-1181	plastic grommet m4
	1032E10168 10-24 x1 ss screw x2			1121C1618	screw x2
	4759-0548 female threaded screw x2				



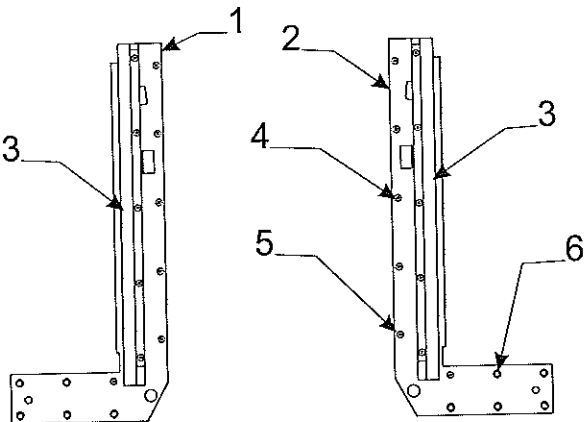
Flat Rate	Code	Part #	Description	Flat Rate	Code	Part #	Description
* 1.50 Flat Rate Front Panel/2.50 Rear Panel							
Front & Rear Body Panel Components							
*	1	4767A2391	front body pnl. 4089, 4091	.10	7	4749B4321	taillight x2
2.50		4759C0881	frt. body pnl. 4096,59,50,78,81			4716A1061	taillight lens
.75	2	4754-8681	front end rail	.10	8	4747-2558	expansion rivet m25
		1203-8651	rivet x5 m25	.15	9	4754-3871	foam gasket m2
				.05	10	4739B4311	tag light
				.05	10	4732-1181	plastic grommet m4
.15	3	4714J08481	amber marker light x4	.05		1121C1618	license plate screw x2
.10		4716A4571	amber lens (lens only)	.30	11	4756F2371	bumper (all except 4089)
.25		4733H1311	socket & harness	.30		4759-2261	bumper 4089
		4747-2558	expansion rivet m25	.10	12	4756-9761	2" hole plug
.15	4	4714J08581	red marker light x7	.10	13	4730H3188	"open" decal
.10		4716A4561	red lens (lens only)	.25	14	4714-0391	rear bed leg pin pkg.
			Note: refer to code # 3 for hardware	.05	15	4759-8488	warning/caution decal
*	5	4757B1961	rear body pnl. (all)	.05		4739D1168	patent decal
		4741D96568	expansion rivet m25 "white"	.10	16	4767-0888	www.com decal
.75	6	4754B8691	rear end rail	.15	17	4754A8491	nylon bed rest & screw
		4758-1141	rivet w/rubber washer m25	.15	18	4754B8921	nylon bed ramp & screw



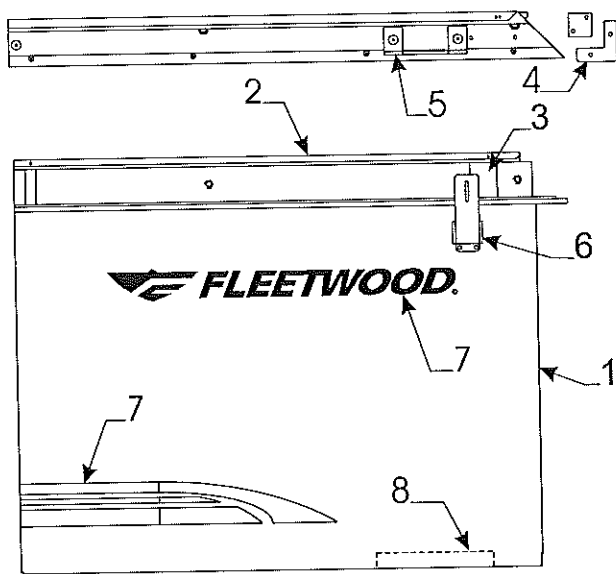


4716A3941 Curbside Trim Tape/Hardware Kit

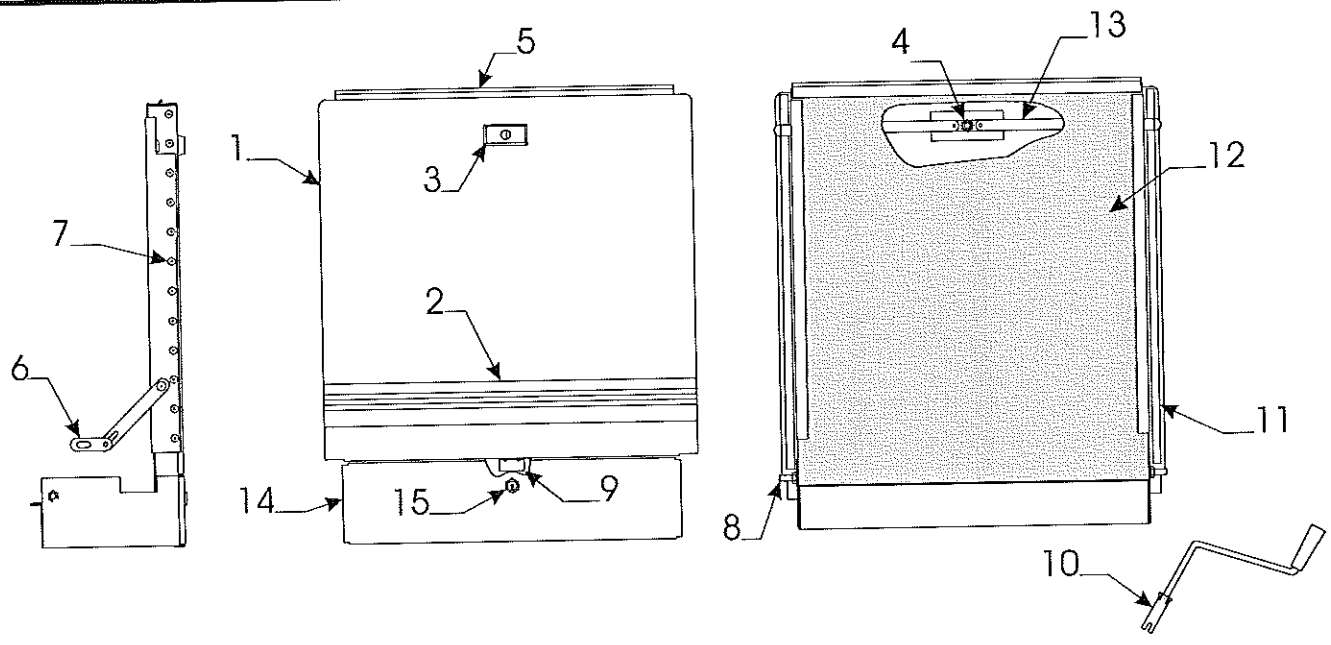
Flat Rate	Code	Part #	Curbside Right Rear Body Pnl. & Components Description	Flat Rate	Code	Part #	Description
1.00	1	4757F3071	csr body panel 4089 Santa Fe	.25	8	4752-9921	porch light
1.00		4757D9631	csr body panel 4059, 4096	.10		4716-5511	porch light lens "amber"
1.00		4754J9701	csr body panel 4091 Sun Valley	.15	9	4738-3941	turn button & rivet
1.00		4759B1371	csr body panel 4078, 4081		10	4060050008P	foam tape(12' pkg.)
1.00		4755R0431	csr body panel 4050	1.25	11	4767-3921	stove support brkt.
1.00	2	4757B3081	csr body rail 4089 Santa Fe			4745-3968	screw
1.00		4757A9661	csr body rail 4059, 4096			4744C2461	torx screw m2
1.00		4754C9511	csr body rail 4091 Sun Valley			1201B6958	nut x2
1.00		4767A3151	csr body rail 4050, 4081	.25	12	4749R4438	Santa Fe name decal
1.00		4767A3241	csr body rail 4078 Bayside	.25		4751N0658	Cheyenne name decal
.10	2A	4716-2771	vel-stick body rail pkg.	.25		4767B1498	Timberlake name decal
.15	3	4716-7061	inner/outer miter cover pkg.m4 Note: pkg. includes rivets	.25		4756H3498	Bayside name decal
.25	4	4734C4121	lift trim, rivets & gasket pkg. m4	.25		4757E8148	Sun Valley name decal
		4733-3398	nylon flange bushing x2 per trim	.25		4767A3188	Williamsburg name decal
.15	5	4741C6041	top latch w/out lock tab	.25		4755G4738	Utah name decal
		4749-4848	foam pad	.10	13	4755G4818	CP decal
.50	6	4716A3941	trim tape & hardware kit	.15	14	4714A2861	drain cap & strap
.25	7	4746A3861	duplex cover & outlet	.50	15	4757-9261	vent cover "plastic"
.35		4746-3871	duplex box	.15		4759-6341	potty hatch dr. 4150
		1203-8678	rivet m25 (rivet box to pnl.)			4751D8301	lock & o-ring
						4350000028P	3/4" butyl tape pkg. (6' pc.)
						4060000402P	black d-seal pkg. (6' pc.)



Flat Rate	Code	Part #	Access Door Bulkheads & Components Description
1.25	1	4768-6821	csf bulkhead (all)
1.25	2	4768-6831	csr bulkhead (all)
.35	3	4745B0811	rubber door seal
	4	1203-8641	rivet m25
	5	1203-8978	countersunk rivet m25
	6	4744A0501	hex head tek screw m25



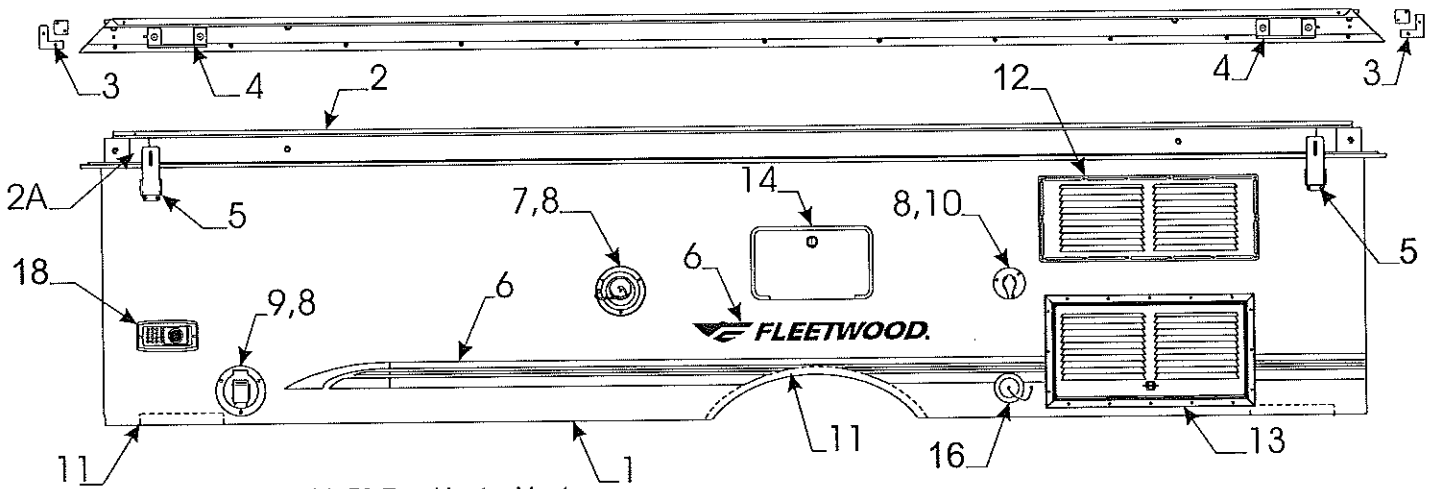
4716A3941 Curbside Trim Tape/Hardware Kit							
Curbside Right Front Body Pnl. & Components							
Flat Rate	Code	Part #	Description				
.85	1	4757F3111	csf body panel 4089 Santa Fe				
.85		4759B0731	csf body panel 4059, 4096				
.85		4756E9281	csf body panel 4091 Sun Valley				
.85		4756E4361	csf body panel 4050, 4078, 4081				
1.00	2	4757D3121	csf body rail 4089 Colonial				
1.00		4757-9651	csf body rail 4059, 4096				
1.00		4767A3141	csf body rail 4050, 4078, 4081				
1.00		4754E9501	csf body rail 4091 Sun Valley				
.10	3	4716-2771	vel-stick body rail pkg.				
.15	4	4716-7061	inner/outer miter cover pkg. m4				
.25	5	4734C4121	lift trim, rivets & gasket pkg. m4				
		4733-3398	nylon flange bushing x2 per trim				
.15	6	4741C6041	top latch w/out lock tab				
		4749-4848	foam pad				
		4350000022F	foam tape (sold/foot)				
.50	7	4716A3941	trim tape & hardware kit				
	8	4060050008P	1/2" x 1" foam tape pkg.(12' pc.)				



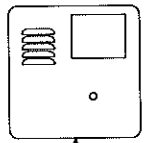
4757-7131 Access Door Assembly "complete" less trim tape

FLAT RATE 1.25 complete door assembly

Access Door Component Parts							
Flat Rate	Code	Part #	Description	Flat Rate	Code	Part #	Description
1.00	1	4759A0661	door skin		8	1006B2428	bolt x2
	2	4350002058P	trim tape (12' pc. pkg.)			1201B5188	nut (to affix bolt to door)
1.00	3	4730C3111	lock handle (with key)			1201B6448	nut (affix door to trailer)
		4716-081	screw x2			1202B0468	washer m10
		1201B6958	keps nut x2	.10	9	4747A2521	latch angle w/rivets
1.00	4	4741-1438	reinforcement plate		10	4747G4141	crank handle
.25	5	4731E2331	access door cap	.20	11	4060025006P	foam tape pkg. (4' pc.)
		1203-8651	rivet m25	1.00	12	4758B4711	step covering "black flextrud"
.15	6	4744-6981	swing arm pkg. (w/rivet & washer)	1.00	13	4741A6551	lock bar assembly
		1203C8721	rivet m25	.25	14	4754-6921	lower dr. w/hinges - less lock
		1202B0468	washer m10			1203-8951	rivet m25 (affix door in place)
	7	4733G0601	rivet "black" m25	.25	15	4751D8301	lock assembly w/o-ring

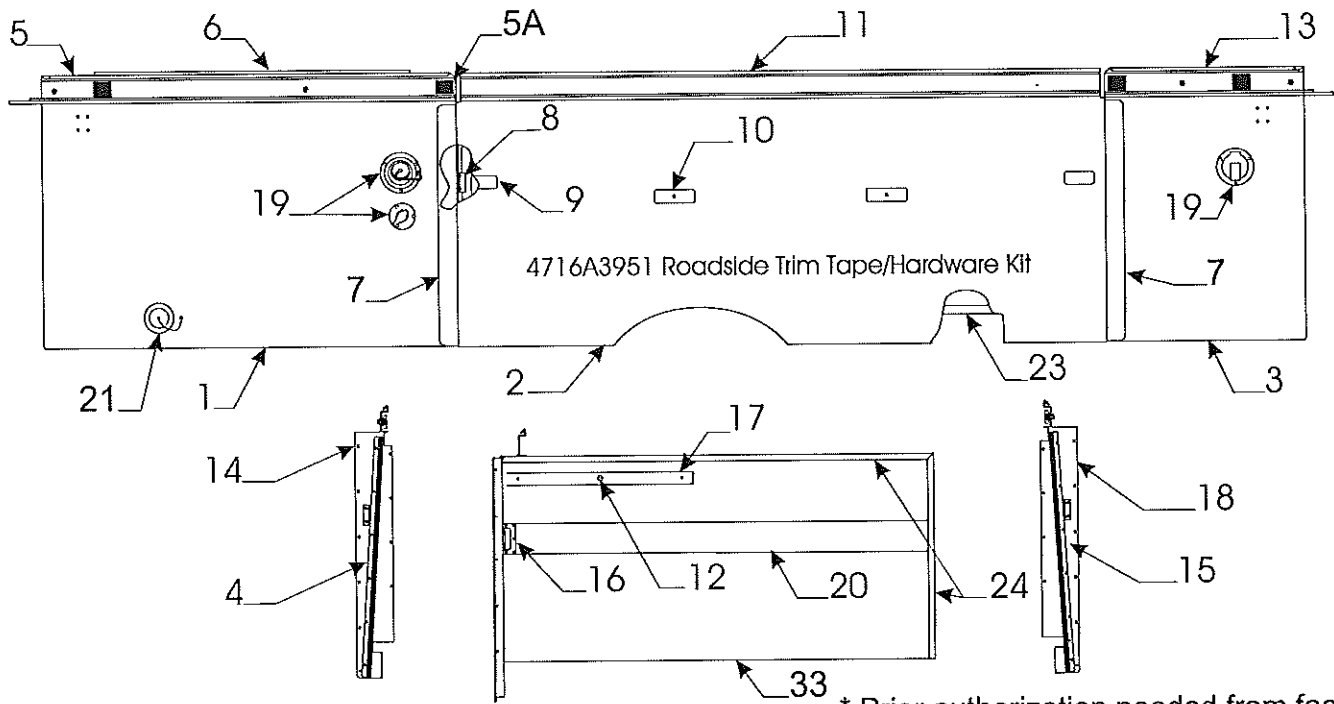


- * Add .50 For Heater Vent
- * Add 1.00 For Refrigerator
- * Add .50 For Hot Water Heater



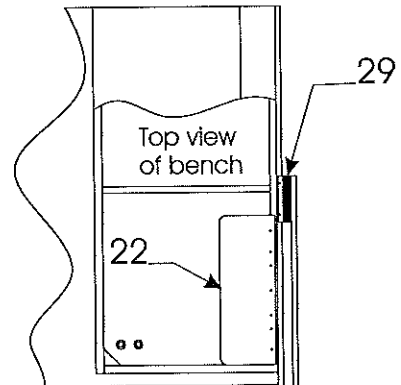
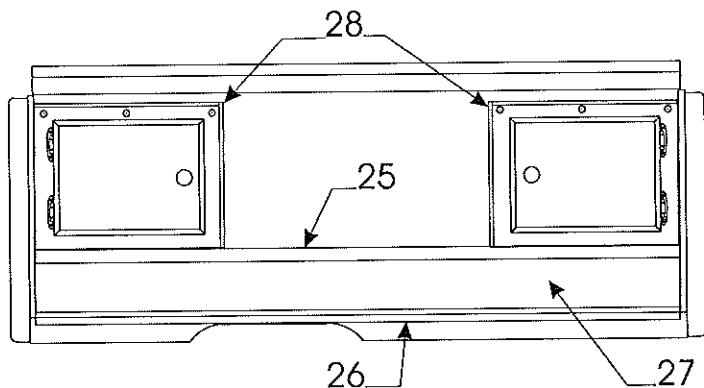
15

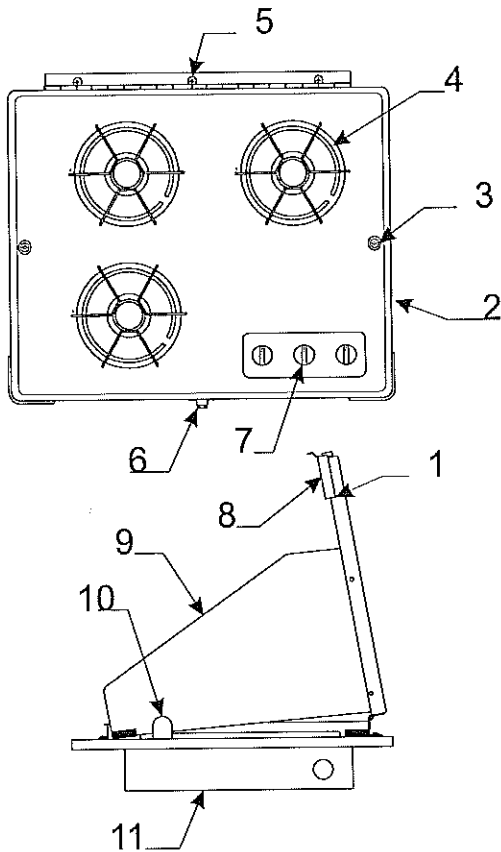
Flat Rate	Code	Part #	Description
		4716A3951 Roadside Trim Tape/Hardware Kit	
	Roadside Left Body Panel & Components		
*2.00	1	4757K3091	left side body pnl. 4089 Santa Fe
*2.00		4767D1481	left side body pnl. 4059 Timberlake
*2.00		4759B0721	left side body pnl. 4096 Cheyenne
*2.00		4754P2141	left side body pnl. 4091 Sun Valley
3.00	2	4757B9641	left side body rail 4089, 4059, 4096
3.00		4767B3161	left side body rail 4091 Sun Valley
.10	2A	4716-2771	vel-stick body rail pkg.
		4757-0731	wire grommet & nut
.15	3	4716-7061	inner/outer miter cover pkg. m4
		Note: pkg. Includes rivets	
.25	4	4734C4121	lift trim, rivets & gasket pkg. m4
.15	5	4741C6041	top latch w/lock tab
		4749-4848	foam pad
.50	6	4716A3951	trim tape & hardware kit
.30	7	4731D1711	water tank spout
	8	4741-3508	hex head tek screw x3
.15	9	4733B23361	cable hatch
.30	10	4732F1521	city fill
	11	4060050008P	1/2" x 1" foam tape pkg. (12' pc.)
.50	12	4747D8321	refrigerator vent "upper"
		4745-3968	painted screw arctic wht.
.50	13	4747D8331	refrigerator vent hinged "lower"
.25	14	4750C5861	o/s shower complete
		4716-7511	key Ch751 m2
.15		4750A2961	lock assy. w/key
.25	15	4716-1331	water heater door
.10	16	4714A2861	drain cap & strap
.25	17	4755-7501	power cord clip 4059 (not shown)
.25	18	4741B9471	8" furnace vent



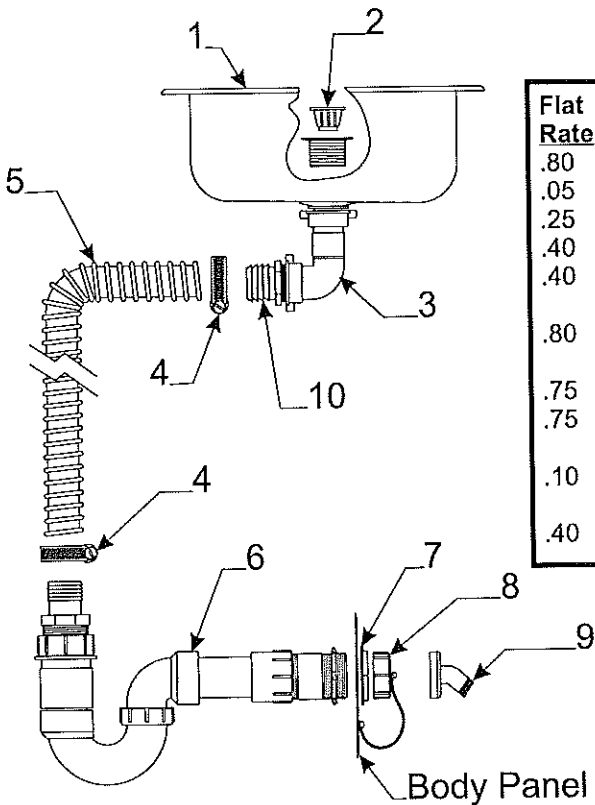
* Prior authorization needed from factory

Flat Rate	Code	Part #	Description	Flat Rate	Code	Part #	Description
RS Left Body Pnl. Components 4050, 4078, 4081							
1.50		4757G0961	lt. front body panel 4050,78,81	.35	15	4756-3511	rsr glide-out seal track
1.00	2	4756G6641	glide-out body panel (all)			4064700589P	side seal "black" pkg. (8' pc.)
1.50	3	4767A3191	left rear body panel 4050, 4081	.15	16	4756-2171	lock boot w/cover plate
1.50		4757F9161	left rear body panel 4078	.25	17	4754-3811	vel-stick (must cut to size)
.35	4	4756-3521	rsf glide-out seal track	1.65	18	4759D5041	bulkhead left rear
		4064700589P	sweep seal "black" pkg. (8' pc.)		19	Note: refer to page 10 for this item	
1.00	5	4767A3271	left front body rail (all)	.50	20	4756-8471	ABS ware strip x2
	5A	4716-2771	vel-stick pkg.		21	Note: refer to page 10 for this item	
.25	6	4737D2231	curtain track	.40	22	4756B6131	metal flip-up backrest x2
		1203-8678	rivet m25 (rivet track to rail)	.20	23	4756-2651	3/4" wht. L- channel 48" pc.
.25	7	4716-8041	angle seal pkg. frt./rr	.20	24	4756C1461	U-channel 48" pc.
		4060000023P	d-seal pkg. "white" (5' pc.)	.50	25	4757C2161	edge cap "painted maple"
.75	8	4756A4171	strike w/screws	.50	26	4757-2351	floor sweep
		4756-3251	shim	.25	27	4756D6041	wood kick plate assy.
.75	9	4755-4091	latch & gasket		28	Note: refer to page 24 for bench components	
.75	10	4756-1181	pull handle	.10	29	4756-1151	5 1/2" brush seal
		4738-2608	tek screw "black"	1.25	31	3568803202P	ware plate "galvanized" 30x55
.75	11	4756A9951	glide-out body rail			Note: Plate located on bottom side of floor	
1.00	12	4730A3548	stud w/screw	1.25	32	4757B5601	g/o cover plate assy. "black"
	13	4767A3241	left rear body rail (all)	*	33	4756D5081	g/o side panel "rear"
		4757-0731	wire grommet & nut	*		4756D5071	g/o side panel "front"
1.65	14	4759D5031	bulkhead left front				



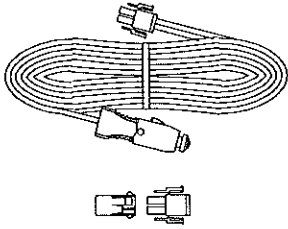


Stove Component Parts (Upper Galley Assy.'s)			
Flat Rate	Code	Part #	Description
.15	1	4758A1601	stove cover assy. "black"
.15	2	4763-1461	3 burner cook top "black"
.05	3	4716-2631	stove top screw/washer m2
.05	4	4752A9881	stove grate x3
.10	5	4716A2671	stove cover hinge
.15	6	4733-4018	stove cover latch
.15		4733-4028	stove cover strike
.05	7	4716A1861	knob
	8	4732A2291	edge molding m2
.25	9	4716A2651	stove fin "black"
.15	10	4716A2641	stove fin stay brkt. m2
.75	11	4763-1451	3 burner stove box

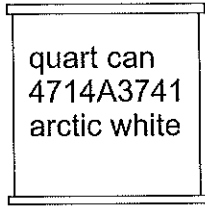


Sink & Component parts			
Flat Rate	Code	Part #	Description
.80	1	4745E2801	sink "black porcelain"
.05	2	4714C0661	crumb cup "only" (wht. threaded)
.25		4730E3151	crumb cup & basket
.40	3	4757-0861	elbow, nut & washer
.40		4757-9131	black rubber washer
	4	4715-4501	1 1/4" hose clamp
.80	5	4060012503P	1 1/4" drain hose pkg. (10' pc.)
Note: must cut hose to length			
.75	6	4758C5431	drain trap assy. (all except 4059)
.75		4767B5811	drain trap assy. 4059 Timberlake
	7	4757-0921	1 1/2" metal nut "white"
.10	8	4714A2861	cap & strap
	9	4737-9138	drain adapter
.40	10	4757A0871	adaptor 1 1/4" barb

4733D6701 auto extension



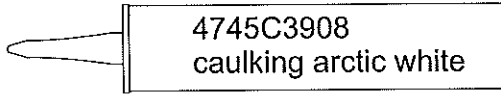
4716A4701 12 volt cap & plug m2



quart can
4714A3741
arctic white

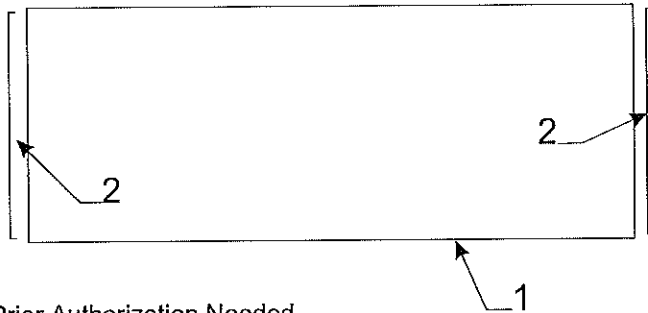


16 oz. spray
0008-2561 arctic white
0008-2571 black
0008-2641 black textured
0008-2681 windsor birch



4745C3908
caulking arctic white

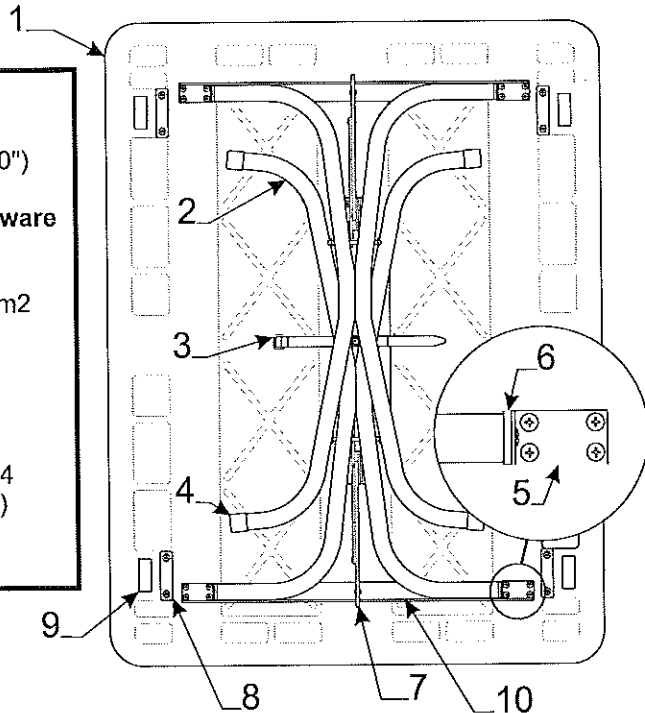
4767-4608
TPO caulking arctic white

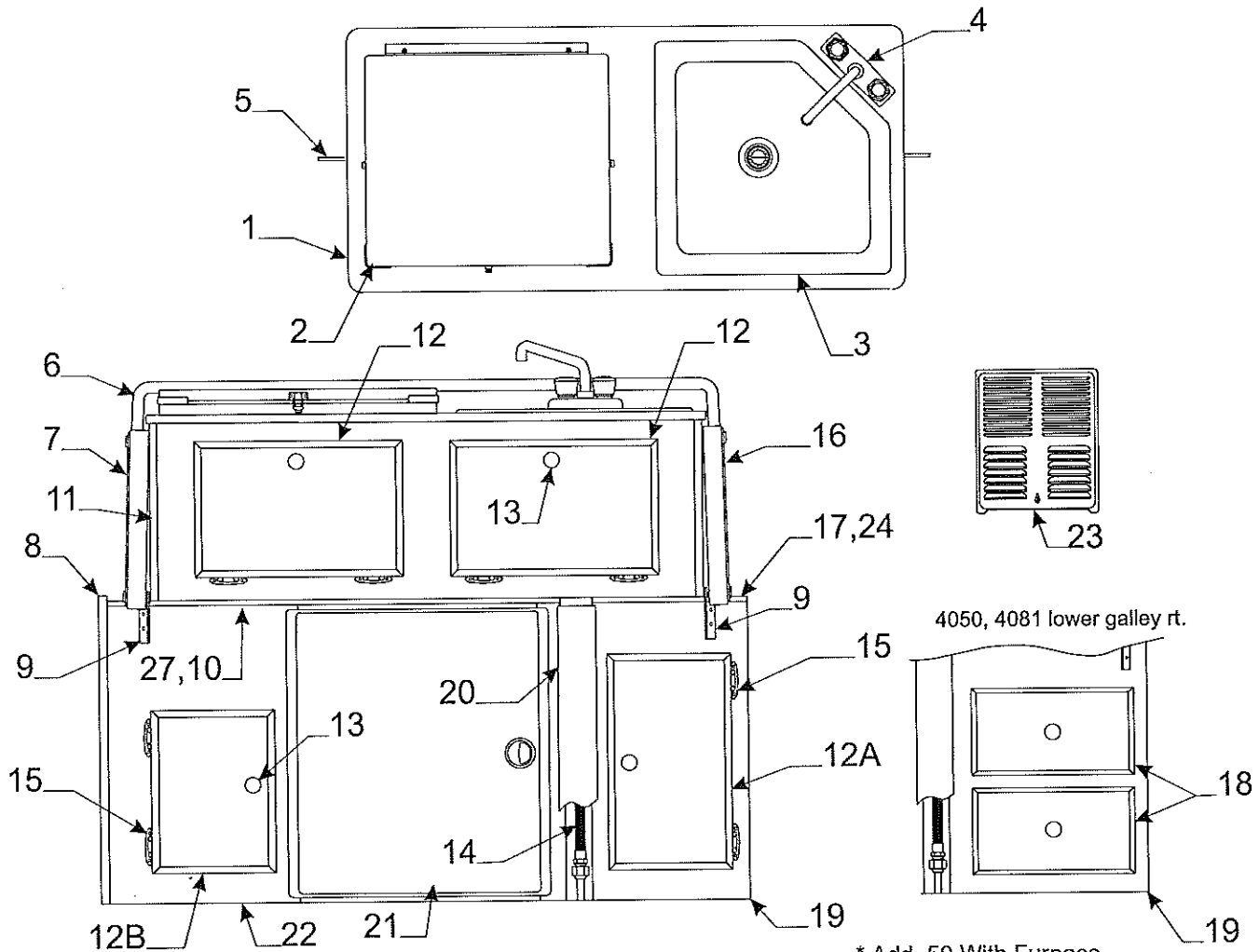


* Prior Authorization Needed

Flat Rate	Code	Part #	Description
*	1	4757C3301	universal wall panel 80" x 23 13/16"
*	2	4060400380P	universal corner divider m2 48" pc.

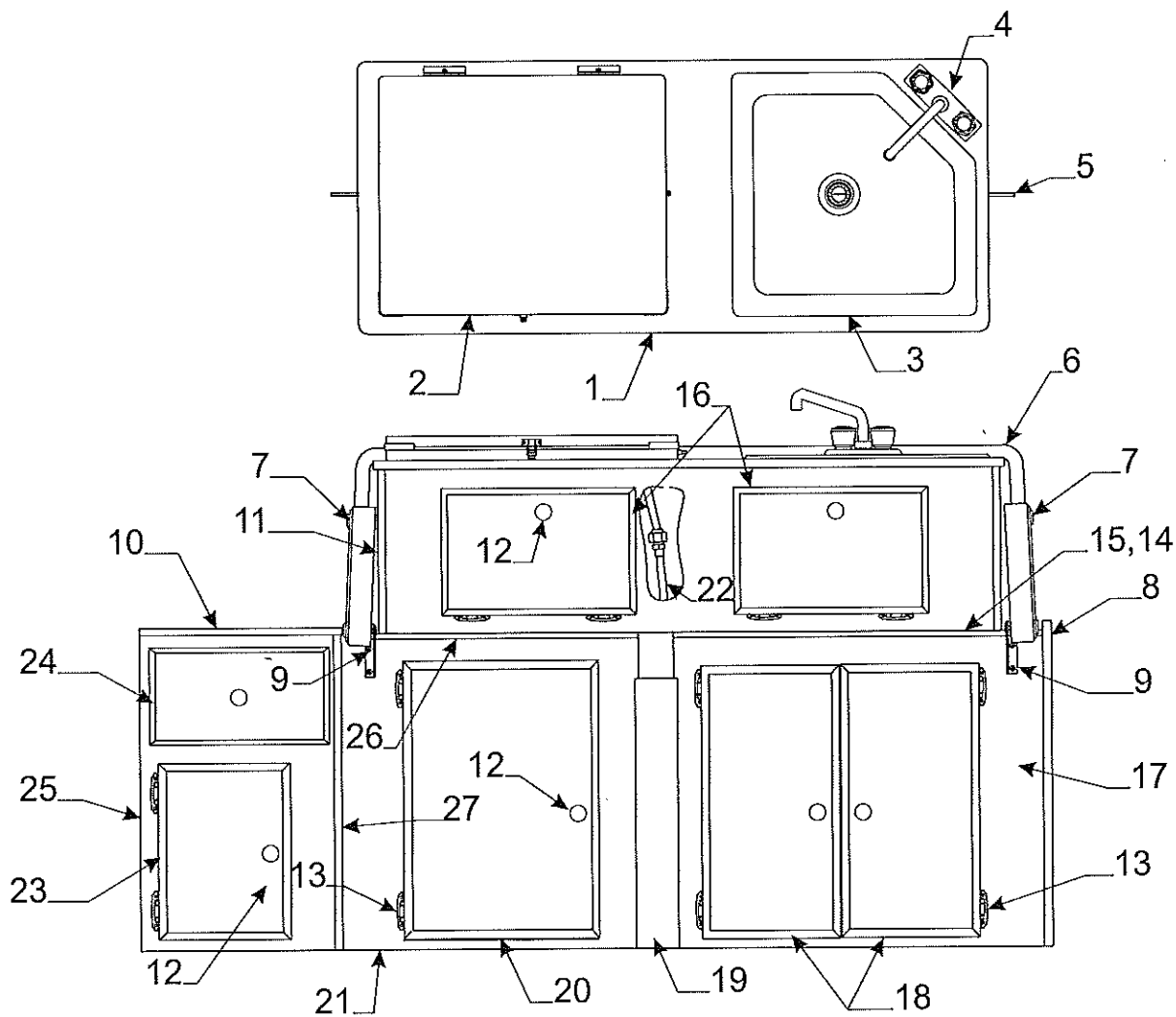
Flat Rate	Code	Part #	Description
.50	1	4759-4361	table top "plastic" (39" x 30")
.50	2	4745K5271	table leg package
Note: pkg. includes 2 legs & required mounting hardware			
.10	3	4751A9711	strap & screw pkg.
	4	4752-0551	white plastic cap m2
.15	5	4720F1211	table leg mounting brace m2
		1103E1018	5/8" wood screw
.15	6	4752A0561	table leg insert cap m2
		4747-2558	expansion rivet m2
.25	7	4744-6971	lock brace assy. x2
		1103E1018	5/8" wood screw
.15	8	4756-8741	table top plastic spacer m4
		1103B08148	7/8" screw (x2 per spacer)
.05	9	4724D2631	velcro fastener m4
	10	4759-9601	table brace brkt. x2





* Add .50 With Furnace

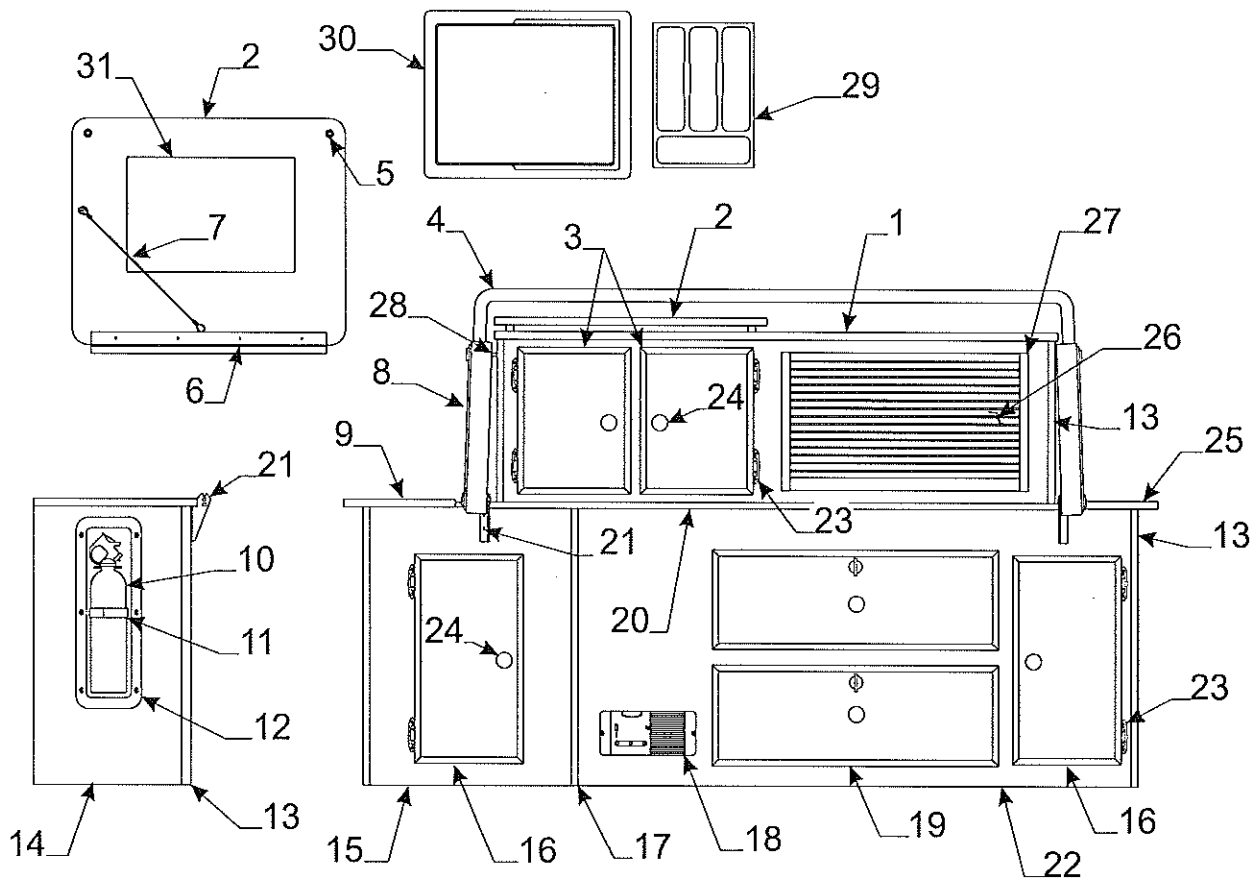
Flat Rate	Upper/Lower Galley 4089, 4059, 4096, 4050, 4078, 4081	Code	Part #	Description	FR	Code	Part #	Description
1.25		1	4752P9071	galley top		12A	4758A3101	door pnl. 8 3/4" x 18 1/2"
.30		2	4060475004P	t-molding pkg. (12' pc.)	.15		4758A4561	door pnl. 13 3/4" x 18 1/2"
.80		3	4745E2801	sink "black porcelain"	.15		4758A4041	door pnl. 12" x 9 1/8"
1.00		4	4745E2741	mixer faucet	.10	12B	4733-6391	latch & strike pkg.
.75		5	4756A6631	upper galley pivot brkt. (lt. & rt.)	.25	13	4748C3951	door pull w/screws
			4734E1861	rivet "elm" m25	.10	14	4753-5581	flexible gas hose
1.00		6	4756G1511	galley lift bar 4089, 96, 50, 81, 78	.15	15	4762-4878	hinge
1.00			4767A0971	galley lift bar 4059	.15	16	4757C1951	chain cvr rt. 4089,96,50,81,78
			4744-6321	chain assy x2 per bar	1.00		4757C1921	chain cover rt. 4059
.15		7	4757C1941	chain cover lt. 4089,96,50,81,78	1.00	17	4767-2191	lower galley top rt. 4089, 96
.15			4757C1911	chain cover lt. 4059	1.00		4767B1231	lower galley top rt. 4059
.75		8	*4758B0871	seat gazoodi 4089, 4096	.10		4767A3311	lwr galley top rt. 4050,78, 81
.75			*4756C0011	seat gazoodi 4050, 4078, 4081	.10	18	4755-7681	drawer assy. 4050, 4081
.30			4060400091P	lipped t-molding 12' pc. pkg.	1.00		4767-3201	drawer front 13" x 8"
.60		9	4716A1821	lower galley brkt. pkg.	1.00	19	4754D8401	lower galley frt. rt. 4089, 96
1.00		10	*4758A8421	lower galley top lt. 4089, 4096	1.00		4767B1241	lower galley frt. rt. 4059
1.00			4767C1261	lower galley top lt. 4059	1.00		4756K0521	lower galley frt. rt. 4050, 4081
1.00			4757G1621	lower galley top lt. 4050, 78, 81	.25		4754E8341	lower galley frt. rt. 4078
.20			4746C0971	kill switch m4	.50	20	4750G6731	filler assembly
.20			4733C4981	rocker switch (elec. pump)	.75	21	4754A0481	built-in cooler
.65		11	4716F0151	3/8" f-channel 24" pc.	.75	22	*4767-2181	lower galley frt. lt. 4089, 96
.15		12	4758A3131	door pnl. 14 1/4" x 10"	.75		4767B1251	lower galley frt. lt. 4059
					.10		4755G4641	lower gal. frt. lt. 4050, 78, 81
					.10	23	4743-3551	furnace grill
					.10	24	4060175000P	edge trim wood grain 6' pc.



* Add .50 with furnace

Flat Rate	Upper/Lower Galley	Code	Part #	Description	Flat Rate	Code	Part #	Description
2.00	1	4759C3221	galley top	.10	13	4762-4878	hinge	
.30		4060475004P	t-molding pkg. (12' pc.)	.10	14	4060175000P	1/2" x 3/4" trim angle 6' pc.	
.80	2	Note: refer to page 12 for stove components		1.00	15	4767-2461	lower galley top rt.	
	3	4745E2801	sink "black porcelain"	.20		4746C0971	kill switch m4	
		Note: refer to page 12 for sink components		.20		4733C4981	rocker switch (elec. pump)	
1.00	4	4745E2741	mixer faucet	.15	16	4767-2451	door panel	
.75	5	4752A9271	upper galley pivot brkt. (lt. & rt.)	1.00	17	4757B8161	latch & strike pkg.	
		4734E1861	rivet "elm" m25	.15	18	4758A3101	lower galley front rt.	
1.00	6	4756C4071	galley lift bar	.25	19	4750G6731	filler assembly	
		4757-6341	chain assy x2 per bar	.15	20	4758A4561	dr. panel 18 1/2" x 13 3/4"	
.15	7	4757C1911	plastic chain cover (left)	1.00	21	4767A4051	galley front lt.	
.15		4757C1921	plastic chain cover (right)	.45	22	4753-5581	flexible gas hose 48"	
.75	8	4767-2471	seat gazoodi	.15	23	4758A4041	door assy. 12" x 9 1/8"	
.30		4060400091P	lipped t-molding 12' pc. pkg.	.15	24	4767-3201	drawer pnl. 13" x 8"	
.60	9	4716A1821	lower galley brkt. pkg.	.10		4767A6981	drawer assy.	
1.00	10	4767A4081	cabinet top	.75	*25	4767-4061	cabinet front	
.30		4060475002P	t-molding pkg. (9' pc.)	.75	26	4757G0051	lower galley top lt.	
		4747-8941	black plastic cap m2	.75	27	4767-4071	cab. side panel	
.65	11	4716F0151	3/8" f-channel 24"pc.					
.10	12	4748C3951	door pull w/screws					

Note: refer to page 20 for drawer components

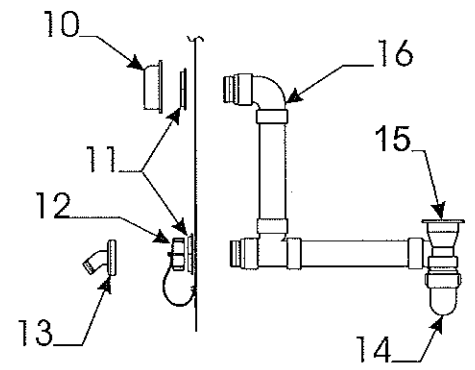
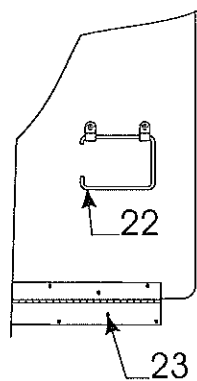
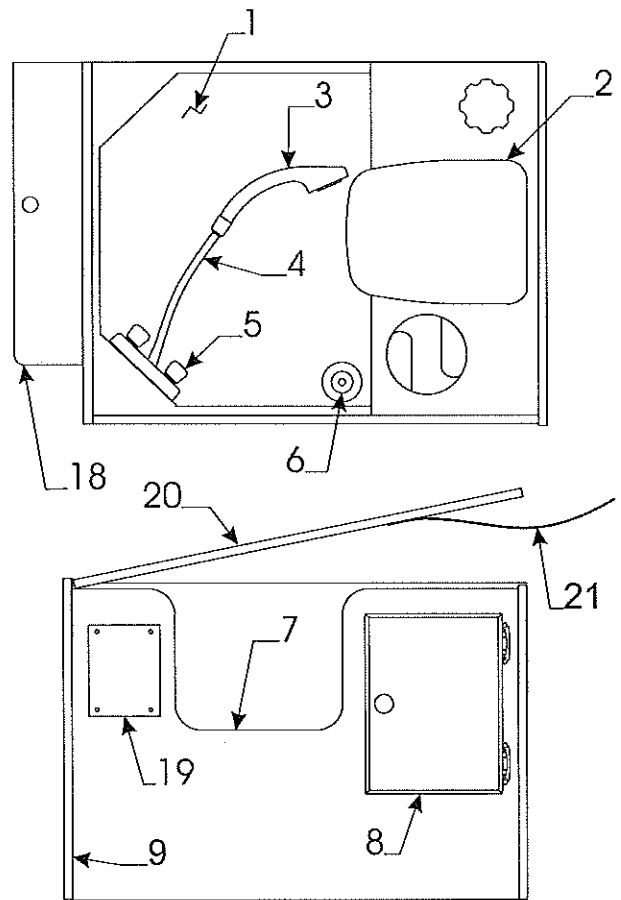


* Add .50 With Furnace

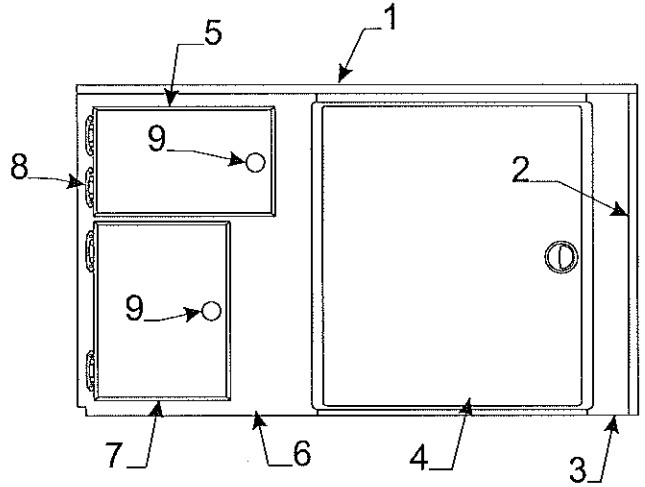
CS Swing Level Cabinet Assy. - 4078 Bayside

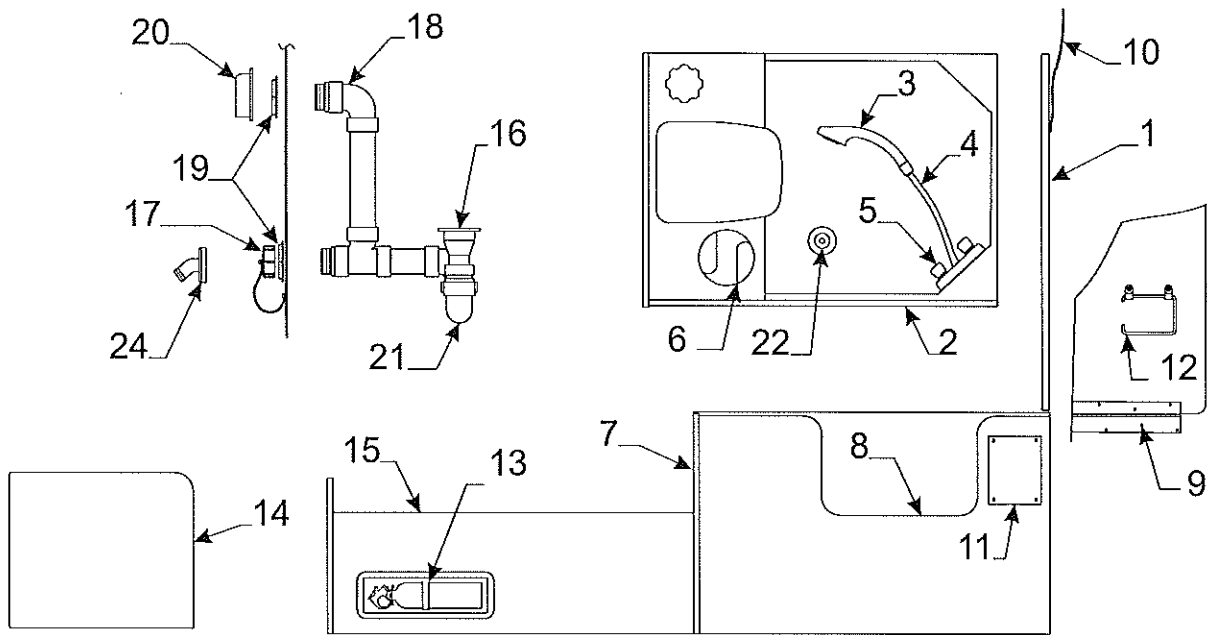
Flat Rate	Code	Part #	Description	Flat Rate	Code	Part #	Description
1.25	1	4767-2911	cabinet top	.15	16	4767A2901	door panel 8 3/4" x 16 3/4"
.30		4060475004P	t-molding pkg. (12' pc.)			4733-6391	latch & strike pkg.
.50	2	4767A2921	lift up board assy.	.50	17	4767-289	panel connector
.15	3	4758A4041	door pnl. 9 1/8" x 11 3/4"	.25	18	4753-9171	lp gas detector
1.00	4	4756C4071	lift bar	.15	19	4767A2991	drawer frt. 22 3/4" x 7 3/4"
		4744-6321	chain assy. x2 per bar	.10		4755A7211	drawer assembly
.05	5	4724-2608	stop button x2	.15		4767-3601	chrome thumb turn lock
.15	6	4767-293	hinge	1.00	20	4767B2841	lower cabinet top
	7	4755-7181	stop cable	.20		4746C0971	kill switch m4
.15	8	4757C1941	plastic chain cover (left)	.60	21	4716A1821	lower cabinet brkt. pkg.
.15		4757C1951	plastic chain cover (right)	1.00	22	4767B2801	lower cabinet frt. rt.
.25	9	4767B2831	cabinet top	.10	23	4762-4878	door hinge
.30		4060475004P	t-molding pkg. (12' pc.)	.10	24	4748C3951	door pull w/screws
		4747-8941	black plastic cap m2	.75	25	4767A2821	cabinet top lt.
.10	10	4737A5558	fire extinguisher	.75	26	4767-2981	roll top sliding door
.05	11	4716-1191	fire extinguisher strap m2	.10	27	4060175000P	1/2" x 3/4" trim angle 6' pc.
.15	12	4737B4198	recessed mount	.75	28	4756A6631	pivot bracket
		4738-3088	screw x6			4734E1861	rivet "elm" m25
.65	13	4716F0151	3/8" f-channel 24" pc.		29	4755-4481	cutlery tray
.50	14	4767-2861	cabinet side lt.		30	4773-0311	vanity bin (plastic)
1.00	15	4767B2811	lower cabinet frt. lt.	.15	31	4757-0161	mirror

Flat Rate	Code	Part #	Description
1.50	1	4759A1001	shower pan
.75	2	4746C2461	cassette potty
.15	3	4767-0101	shower head w/bracket
		4767-0111	shower head brkt. (c-shape)
.20	4	4741B2051	shower hose (72" length)
.50	5	4741B2071	shower diverter
.10		4716-0848	shower hose connector
.50	6	4746A1821	basket & strainer
1.50	7	4767A1131	shower threshold
.30		4060300083P	t-molding (threshold) (12' pc.)
.15	8	4758A3041	door pnl. 14 1/2" x 11 3/4"
.75	9	4767A1111	shower wall
.30		4060400091P	1/2" t-molding pkg. (12' pc.)
.20	10	4757-9261	vent cover "plastic"
.50	11	4757-0921	metal nut "white"
.10	12	4714A2861	cap & strap
	13	4737-9138	drain adapter
.40	14	4752-3621	p-trap w/union joint
	15	4757-8561	drain plug adapter
1.00	16	4741B9301	vent system
	17	4741D6361	tub package. (Not Shown)
	18	4767A1061	tub storage cover w/hole
		4747-8941	black plastic cap m2
	19	4757B2171	tub storage cover
	20	4754A7191	shower cover board
	21	4754-7401	hold-up strap
	22	4756-9121	TP holder
		4747-2531	nylon clamp m2
.25	23	4756-4441	shower board hinge

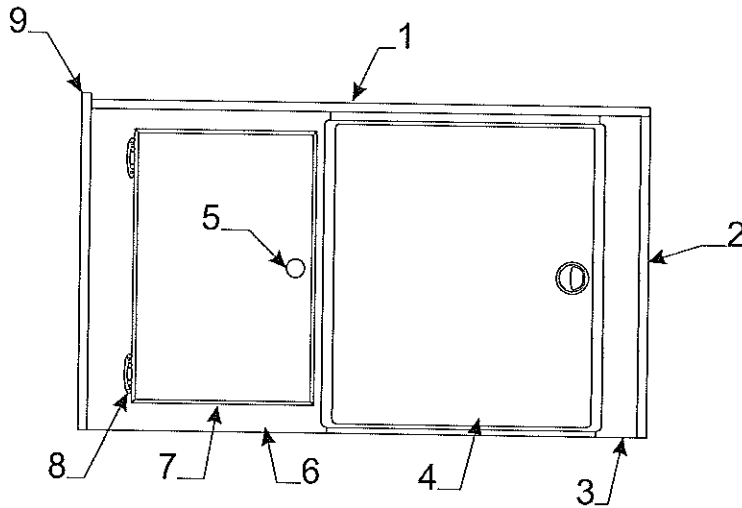


Flat Rate	Code	Part #	Description
1.50	1	4767A1171	hutch top
.30		4060475002P	t-molding pkg. (14' pc.)
		4747-8941	black plastic cap m2
.30	2	4767A1211	hutch side
.30	3	4767B1201	hutch front rt.
.25	4	4754A0481	built-in cooler
.15	5	4767A1551	door pnl. 11 1/2" x 7"
.75	6	4767C1181	cabinet frt. lt.
.15	7	4758A4041	door pnl. 9 1/8" x 12"
.10	8	4762-4878	hinge
.10	6	4748C3951	door pull (includes screw)

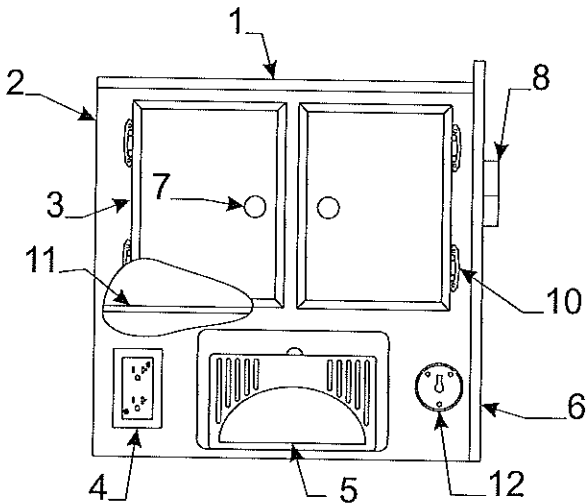




Flat Rate	Code	Part #	Description
.40	1	4755-7991	shower cover board
.30		4060450003P	1/2" t-molding pkg. (12' pc.)
1.50	2	4757D6721	shower pan & cabinet
.15	3	4767-0101	shower head w/bracket
.20	4	4767-0111	shower hose (72" length)
.50	5	4741B2071	shower diverter
.10		4716-0848	shower hose connector
.75	6	4746C2461	cassette potty
.75	7	4754F3861	shower wall
.30		4060400091P	1/2" t-molding pkg. (12' pc.)
1.50	8	4756E4621	shower threshold
.30		4060300083P	t-molding (threshold) (12' pc.)
.25	9	4756-4441	shower board hinge
.15	10	4757A6701	hold-up trap
.25	11	4757A2171	shower hose cover
.15	12	4756-9121	TP holder
		4747-2531	1/4" nylon clamp m2
	13	Note: refer to page 22 for fire extinguisher	
.30	14	4756D4921	seat end
.30		4060400091P	5/8" t-molding pkg. (12' pc.)
.15	15	4714-6951	seat front
	16	4757-8561	drain plug adapter
.10	17	4714A2861	cap & strap
1.00	18	4741B9301	vent system
.50	19	4757-0921	metal nut "white"
.20	20	4757-9261	vent cover "plastic"
.40	21	4752-3621	p-trap w/union joint
.50	22	4746A1821	basket & strainer
	23	4741D6361	tub package.
	24	4737-9138	drain adapter

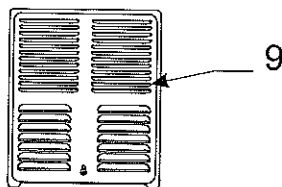


Flat Rate	RS Hutch Assy. 4091 Sun Valley	Code	Part #	Description
1.50	1	4767B2501	hutch top	
.30		4060462508P	t-molding pkg. (14' pc.)	
.30	2	4757A8771	hutch side	
.75	3	4767-249	hutch frt. rt.	
.25	4	4754A0481	built-in cooler	
.10	5	4748C3951	door pull (includes screw)	
.75	6	4752L4551	hutch front "left"	
.15	7	4758A4561	door pnl. 18 1/2" x 13 3/4"	
.10	8	4762-4878	hinge	
.30	9	4767-2471	gazoodi	
.30		4060400091P	lipped t-molding (12' pc. pkg.)	

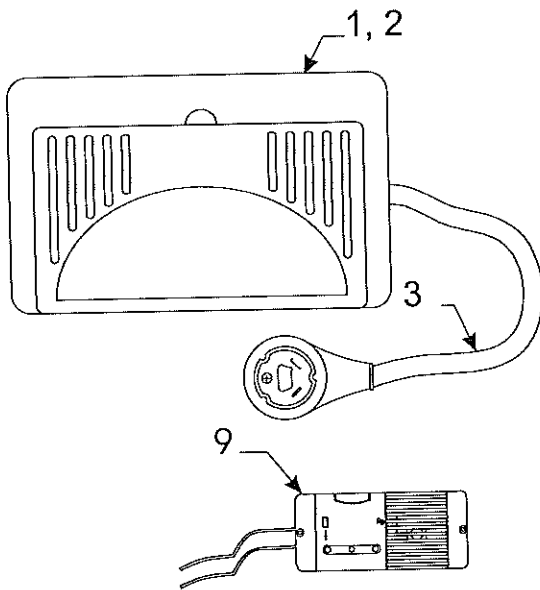


Flat Rate	RSR Corner Cabinet Assy. 4050, 4081	Code	Part #	Description
.25	1	4756L0081	cabinet top	
.30		4060475001P	t-molding (12' pc. Pkg.)	
.75	2	4756M0071	cabinet front	
.15	3	4758A4041	door panel 12" x 9"	
.20	4	4752-2371	20 amp receptacle	
1.00	5	4753E8201	converter 25 Amp	
1.00	6	4756C0011	gazoodi	
.30		4060400091P	t-molding pkg. (14' pc.)	
.10	7	4748C3951	door pull w/screw	
*	8	4755B8201	nylon block x2	
.10	9	4743-3551	furnace grill	
.10	10	4762-4878	hinge (spring loaded)	
.20	11	4755F3581	converter cover shelf x2	
.25	12	4757A4871	coax outlet	

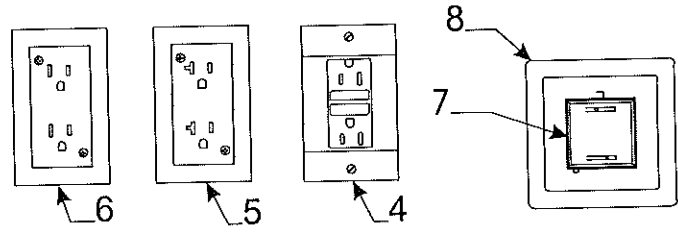
* Prior Authorization from factory needed.



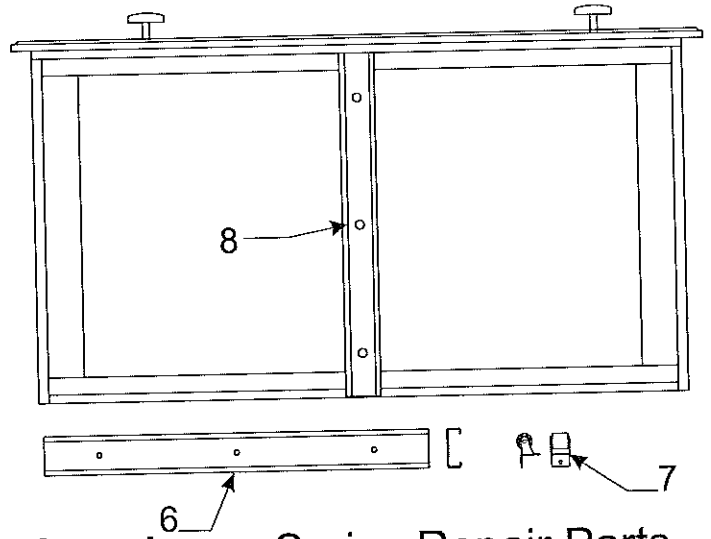
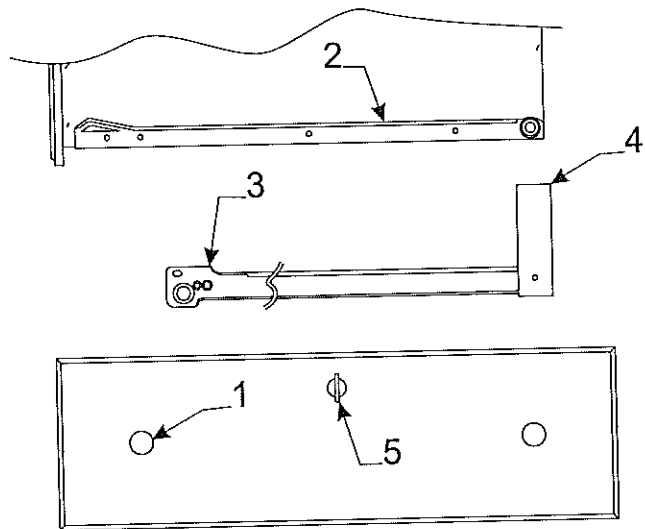
WORLD FRIENDSHIP CO., LTD
 Warranty: 800-900-2468

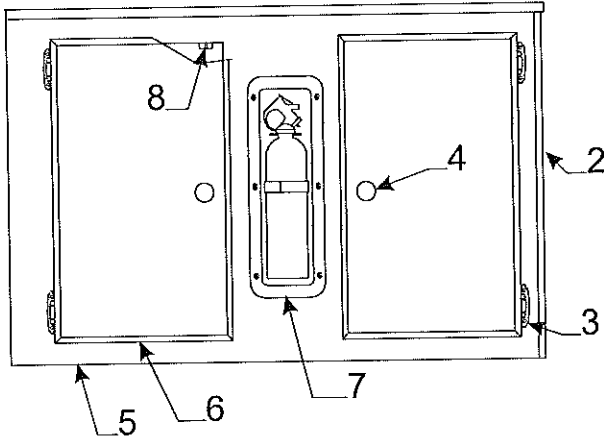
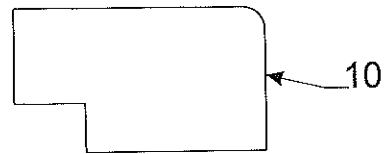
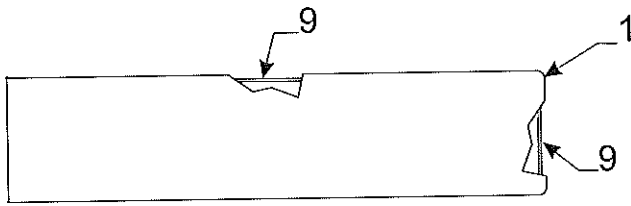


Flat Rate	Code	Part #	Description
1.00	1	4753E8201	converter 25 amp WFCO
.15	2	4716D1301	face cover w/door (plastic)
.60	3	4744A3101	power cord 31 ft.
.35	4	4746B3841	15 amp GFI receptacle w/cover (wht.)
.35		4755-8321	20 amp GFI receptacle w/cover (wht.)
.20	5	4752-2371	20 amp receptacle w/cover (wht.)
.20	6	4752-2361	15 amp receptacle w/cover (wht.)
		4746A3851	receptacle box
	7	4752A8461	thermostat
.20	8	4747-8391	plastic base & bracket
.25	9	4753C9171	lp gas detector



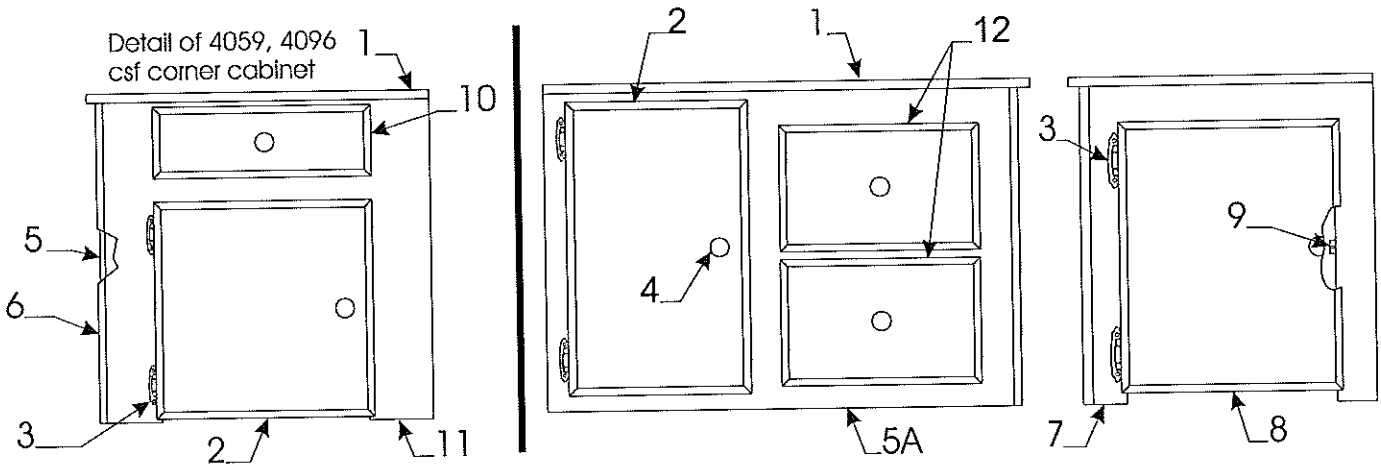
Flat Rate	Code	Part #	Description
.10	1	4748C3951	door pull w/screw
.50	2	4758-102	12" drawer slide LHD
.50		4758-103	12" drawer slide RHD
.50		4758-104	18" drawer slide LHD
.50		4758-105	18" drawer slide RHD
.50	3	4716-8911	22" drawer guide/socket set (Must cut to length)
.25	4	4758-292	drawer guide brkt. 14"
.15	5	4757A9081	brass thumb turn lock
.25	6	4757B8891	17" metal drawer guide
.10	7	4757-8911	drawer roller m2
.25	8	4758-8391	20" pvc i-beam drawer guide



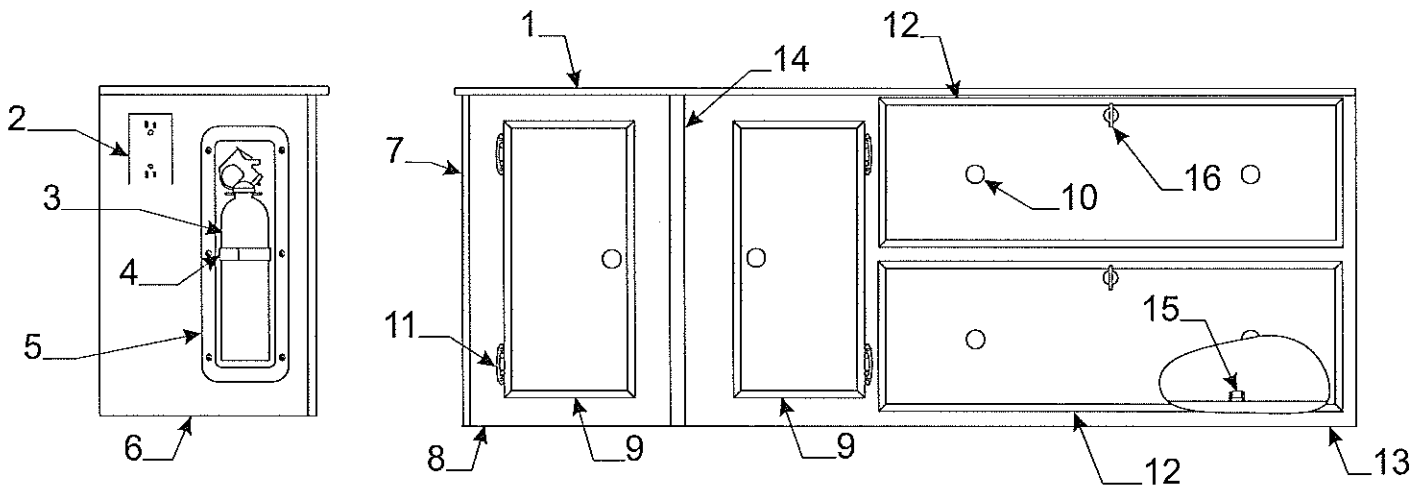


Doorway Hutch Assembly - 4059, 4091			
Flat Rate	Code	Part #	Description
.25	1	4767B1001	cabinet top 4059
.25		4767A2661	cabinet top 4091
.30		4060475001P	t-molding pkg. (14' pc.)
.35	2	4716F0151	3/8" f-channel 24" pc.
.10	3	4762-4878	hinge
.10	4	4748C3951	door pull (includes screw)
.30	5	4767A0981	cabinet side 4059
.30		4767A2651	cabinet side 4091
.15	6	4758A3061	door pnl. 18 1/2" x 12"
.15		4758A4561	door pnl. 18 1/2" x 13 3/4"
	7	Note: refer to page 22 for fire extinguisher	
.15	8	4733-6391	latch & strike pkg.
.30	9	4714-6951	universal panel
.30	10	4767A1011	gazoodi 4059
.30		4060400091P	lipped t-molding pkg. (12' pc.)

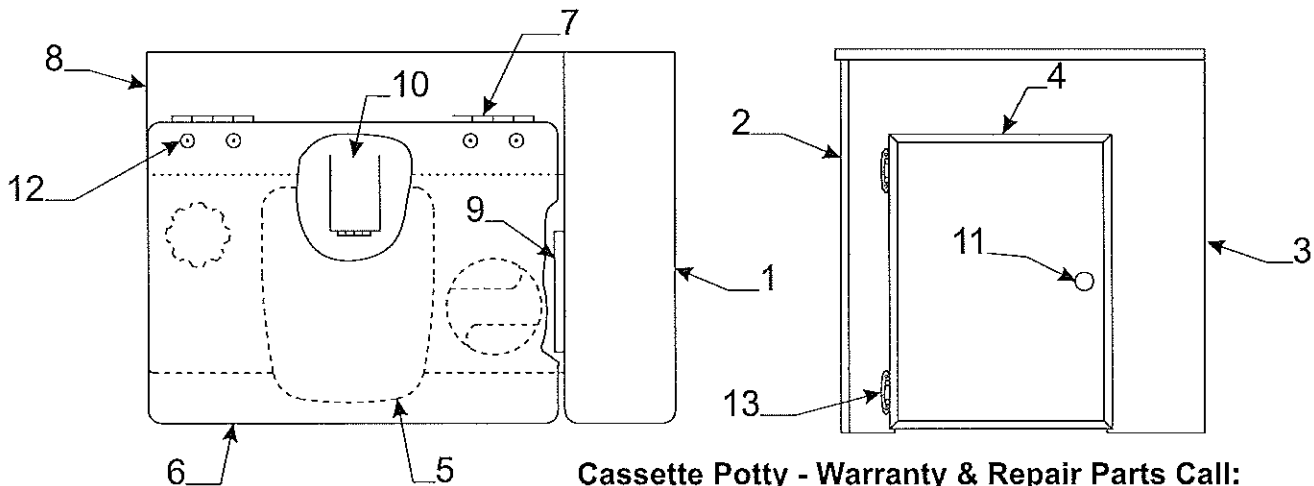
Detail of 4059, 4096
csf corner cabinet



Flat CSF Corner Cabinet 4089, 4059, 4096, 4078, 4081, 4050				Flat			
Rate	Code	Part #	Description	Rate	Code	Part #	Description
.50	1	4758B2961	cabinet top 4059, 4096	.65	6	4716F0151	3/8" f-channel 24" pc.
.50		4767-4761	cabinet top 4089, 4081, 4078	.50	7	4754D8211	cabinet side 4059, 4096
.50		4756H0031	cabinet top 4050	.50		4759A0961	cabinet side 4089, 78, 81
.30		4060462506P	5/8" t-molding pkg. (14' pc.)	.15	8	4758A3061	door pnl. 18 1/2" x 12"
.30		4060475002P	3/4" t-molding pkg. (14' pc.)	.15	9	4733-6391	latch & strike
.15	2	4758A4261	dr. pnl. 15 1/8" x 15 1/8" 4059, 96	.15	10	4758A3081	drawer frt. 14 3/4" x 4 3/4"
.15		4758B4671	dr. pnl. 16 5/8" x 17" 4089, 78, 81	.10		4767C5451	drawer assy. 4059, 4096
.15		4758A3061	dr. pnl. 18 1/2" x 12" 4050	.50	11	4754D8211	cabinet front 4059, 4096
.10	3	4762-4878	hinge	.50	11	4767-4801	cabinet front 4050
.10	4	4748C3951	door pull w/screw	.15	12	4767-3201	drawer frt. 13" x 8" 4050
.75	5	4714-6951	5/32" wood luan side 4059, 4096	.10		4755-7681	drawer assy. 4050
.75	5A	4756E4671	cabinet side 4089, 78, 81				
.75		4756F0041	cabinet side 4050				

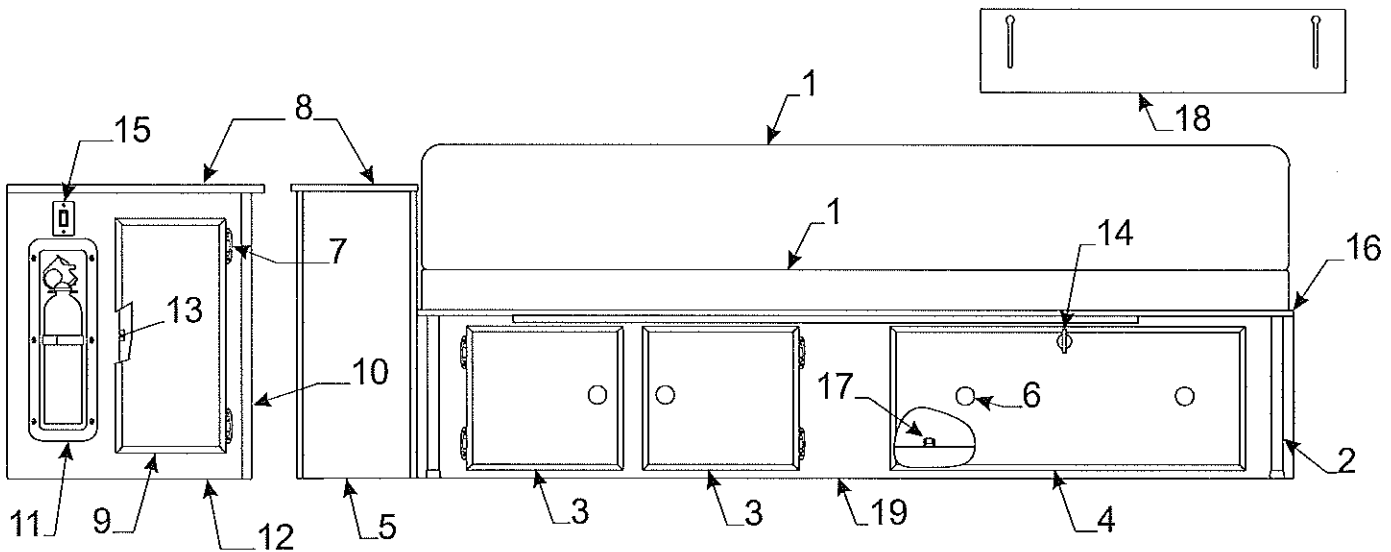


Flat Rate	Code	Part #	Description	Flat Rate	Code	Part #	Description
.75	1	4759B1621	hutch top	.15	9	4758A3101	door panel 8 3/4" x 18 1/2"
.30		4060462506P	t-molding pkg. (14' pc.)	.10	10	4748C3951	door pull (includes screws)
.20	2	4752-2361	15 amp receptacle	.10	11	4762-4878	hinge
.10	3	4737A5558	fire extinguisher	.15	12	4767A2401	door/drawer frt. 30 1/4" x 9 1/4"
.05	4	4716-1191	fire extinguisher strap m2	.10	12A	4754A7921	drawer assy. x2
.15	5	4737B4198	recessed mount	1.25	13	4754G0551	hutch front "large"
		4738-3088	screw x6	1.00	14	4060400176	3/8" h-channel connector
.55	6	4767-2331	hutch side	.10	15	4757-8911	drawer roller guide m2
.65	7	4716F0151	3/8" f-channel 24" pc.	.15	16	4767-3601	thumb turn lock
.50	8	4754G0491	hutch front "small"				Note: refer to page 20 drawer components



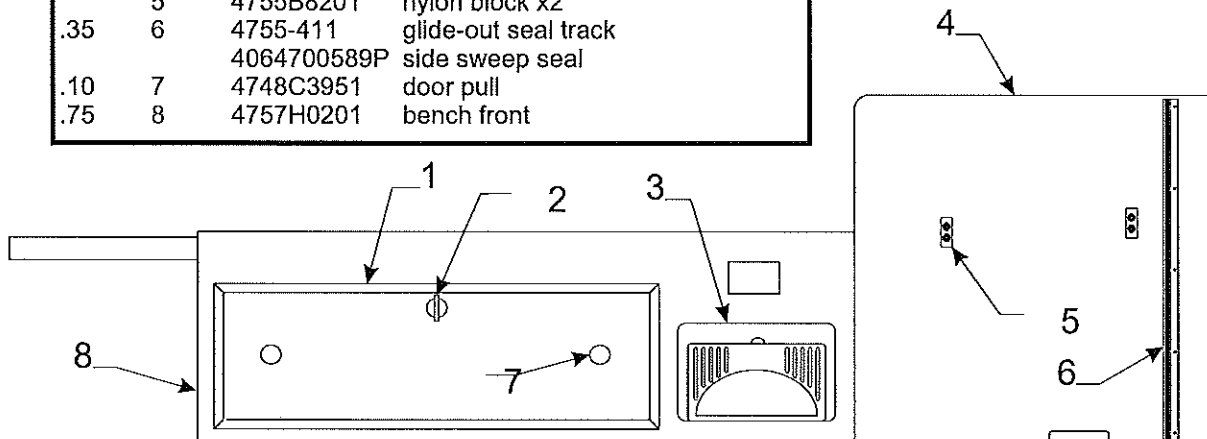
**Cassette Potty - Warranty & Repair Parts Call:
Theftford - Phone # 1-800/354-4135**

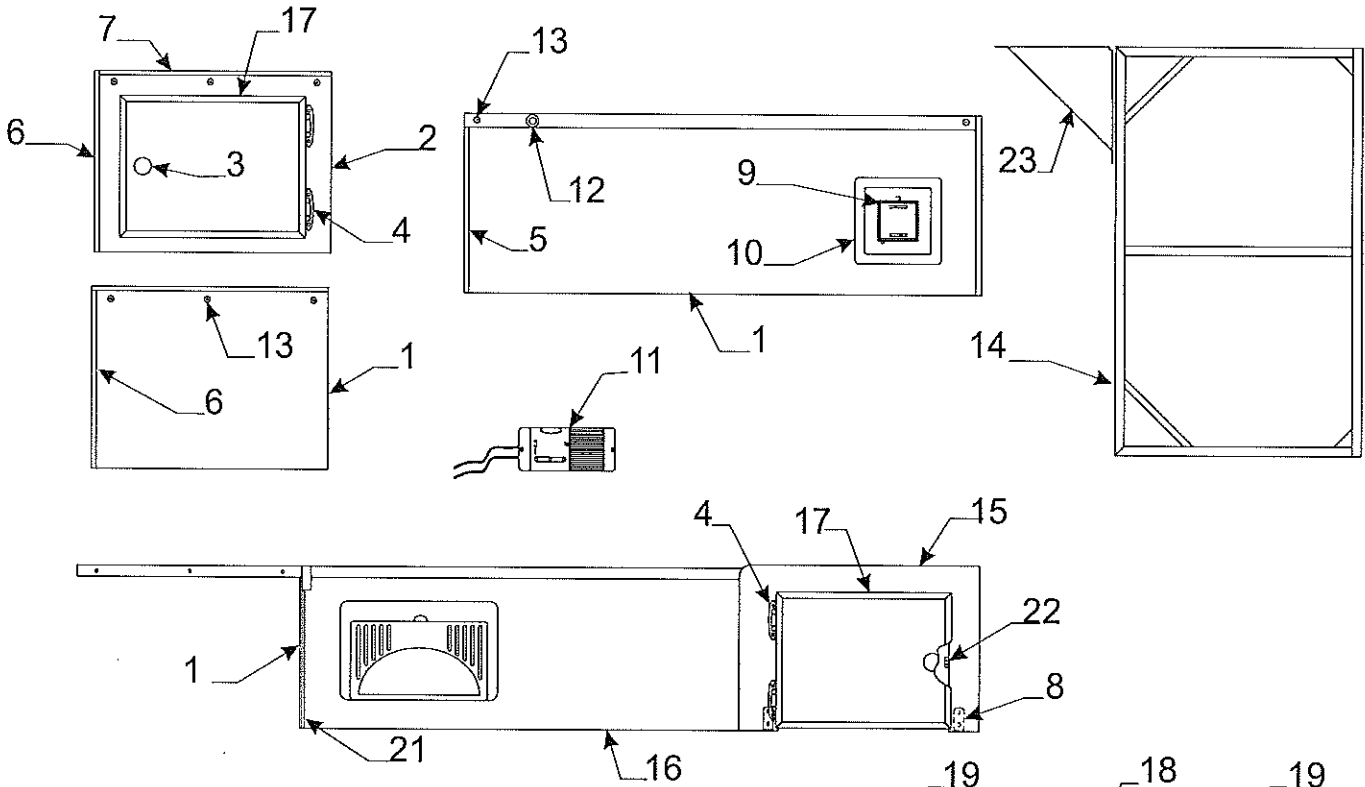
Flat Rate	Code	Part #	Description	Flat Rate	Code	Part #	Description
.25	1	4758A3931	cabinet top	.20	7	4750-3921	lid hinge x2
.30		4060450003P	t-molding pkg. (12' pc.)	.10	8	4750E3891	wood filler
.35	2	4716B1421	5/32" f-channel 24" pc.	.15	9	4750C3911	wood lid support rt./lt.
.40	3	4751E996	cabinet side	.15	10	4755C6911	flip-up lid prop (metal)
.15	4	4758A4561	door panel 13 3/4" x 18 1/2"	.10	11	4748C3951	door pull w/screws
.75	5	4746C2461	cassette potty	.05	12	4744D4601	5/8" headed rivet M25
.25	6	4767A0511	flip-up lid	.10	13	4762-4878	hinge
.30		4060450003P	t-molding pkg. (12' pc.)				



Flat Rate	Code	Part #	Description	Flat Rate	Code	Part #	Description
	1	Note: Refer to page 29 for this item		.65	10	4716F0151	3/8" f-channel (24" pc.)
.25	2	4758B6151	cushion leg x2		11	Note: refer to page 22 fire extinguisher	
		4756B1591	rivet m25	.50	12	4754L1621	cabinet side 4096, 4081
.05		4752-0551	plastic cap m2	.15	13	4733-6391	latch & strike pkg.
.15	3	4767-2371	door panel 13 3/8" x 12 1/4"	.15	14	4767-3601	thumb turn lock
.15	4	4758A8491	drawer frt. 30 1/4" x 9 1/4"	.20	15	4733C4981	rocker switch m4
.10		4759C6751	drawer assy. 4096, 4081		16	4755J5561	pull-out platform w/legs 4096
			Note: refer to page 20 for drawer components			4769C5151	pull-out platform w/legs 4081
1.25	5	4767-236	hutch front 4096			4754C288	cushion stiffener angle
1.25		4754L165	hutch front 4081	.10	17	4757-8911	drawer roller guide M2
.10	6	4748C3951	door pull (includes screws)	.40	18	4752B0341	bench top w/slots 4096
.10	7	4762-4878	hinge	.40		4759-1751	bench top w/slots 4081
.25	8	4759A4401	cabinet top 4096	1.00	19	4754K1641	bench front 4096
.25		4756H8241	cabinet top 4081	1.00		4767-228	bench front lt. 4081
.30		4060462506P	t-molding pkg. (10' pc.)	1.00		4756G825	bench front rt. 4081
.15	9	4758A3101	door panel 8 3/4" x 18 1/2"			4767-229	panel connector 4081

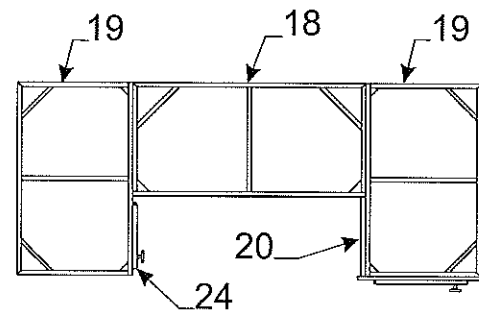
Flat Rate	Code	Part #	Description
.15	1	4758B8491	drawer front panel 30 1/4" x 9 1/4"
.10		4753M5451	drawer assy.
.15	2	4767-3601	chrome thumb turn
1.00	3	4753E8201	converter
1.00	4	4756C0011	gazoodi
	5	4755B8201	nylon block x2
.35	6	4755-411	glide-out seal track
		4064700589P	side sweep seal
.10	7	4748C3951	door pull
.75	8	4757H0201	bench front



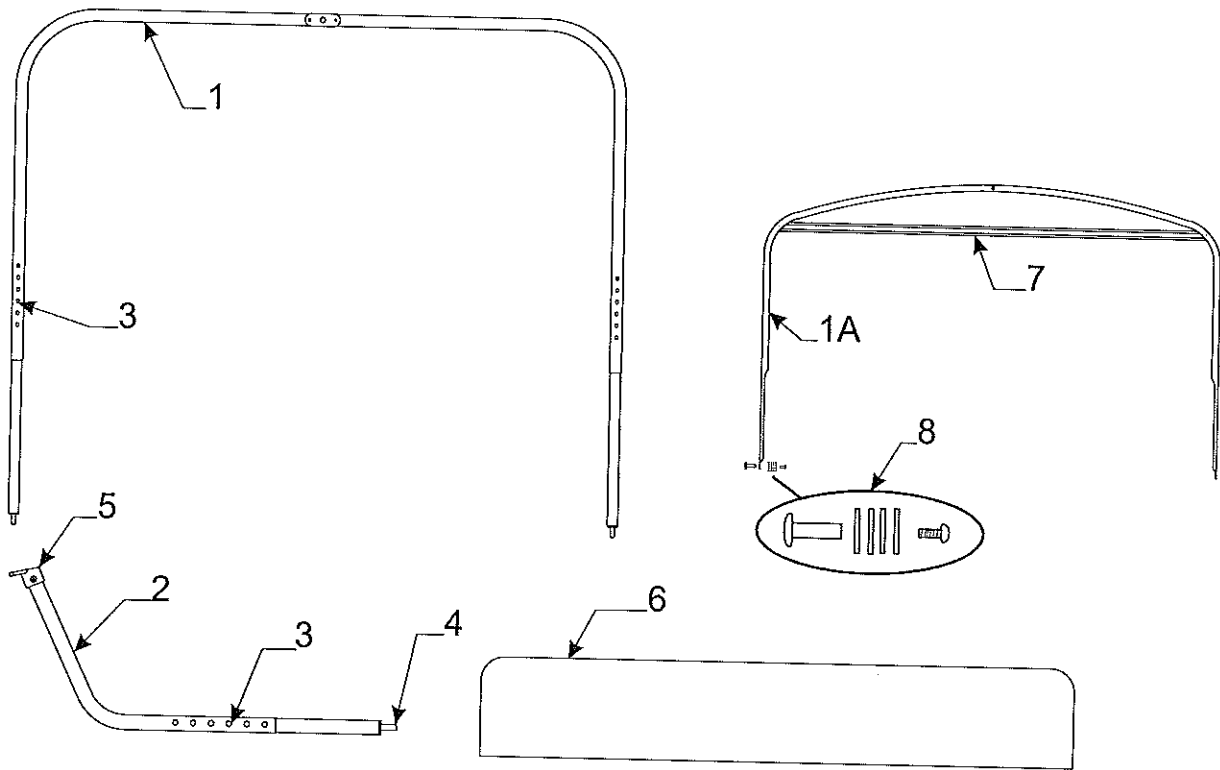


* Warranted Through Vendor

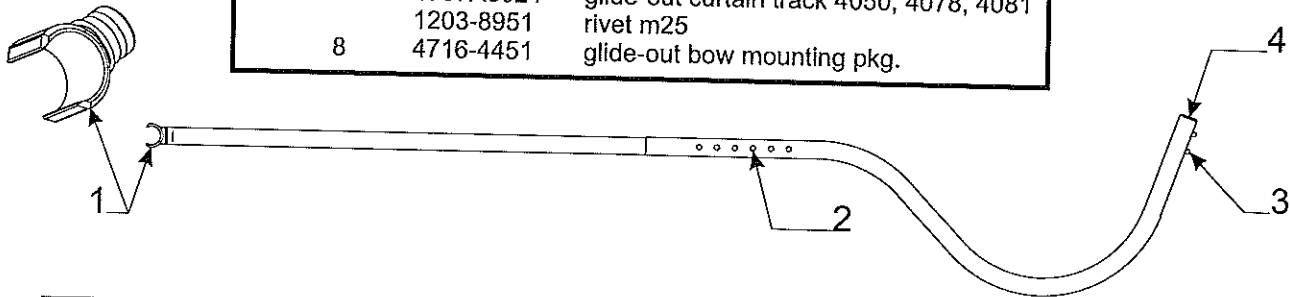
Flat Rate	Seat Bench Component Parts Code	Part #	Description
.30	1	4714-6951	universal luan panel 48" x 48"
.35	2	4754E0371	seat end (glide-out benches)
.10	3	4748C3951	door pull w/screws
.10	4	4762-4878	hinge
.15	5	4060400380P	corner molding 96" pc.
.35	6	4060115604P	5/32" f-channel 96" pc.
.50	7	4060015602P	5/32" u-channel 96" pc.
	8	4734A3851	L-bracket
*	9	4752A8461	thermostat
.20	10	4747-8391	plastic base & bracket
.25	11	4753-9171	lp gas detector
.05	12	4724-2608	stop button
		1103B1012	#10 - 3/4" screw
	13	4734E1861	rivet m25
		1202B0268	washer
	14	4759A6021	glide-out bench frame x2
		4767A5861	dinnett bench frame x2 4089, 4096
		4759A5961	dinnett bench frame x2 4059, 4091
.35	15	4767-2551	seat end csf bench 4091
.75	16	4767A256	center seat front 4091
.15	17	4758A3111	door panel 16" x 12 1/4"
	18	4754-7951	center bench frame 4091
	19	4755-7021	cs/rs bench frame 4091
	20	4752D4731	pull-out cushion support "wood"
	21	4060000031P	sponge gimp pkg. (21' pc.)
	22	4733-6391	latch & strike pkg.
.15	23	4757E055	outside shower cover 4089
.15	24	4758A4041	door panel 12" x 9 1/8"



Front wraparound bench view
Model 4091 Sun Valley

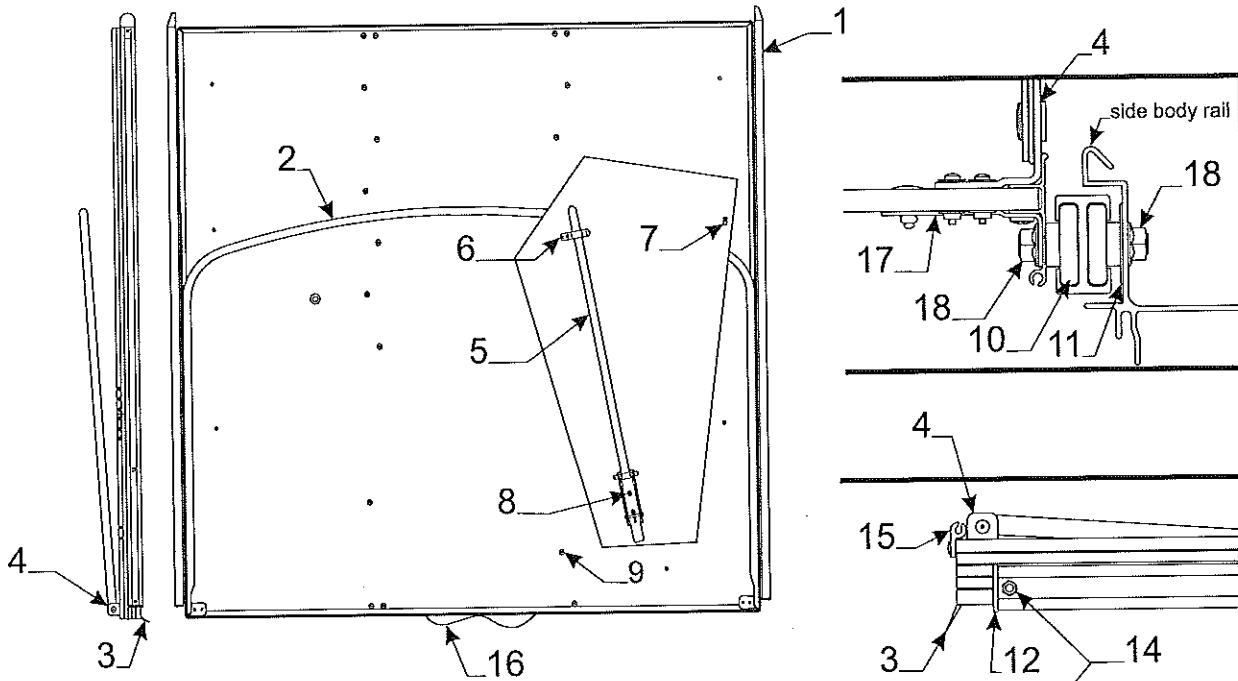


Tip-Out/Glide-Out Tent Bow 4050, 4059, 4091, 4078, 4081			
Flat Rate	Code	Part #	Description
.10	1	4754-7171	tip-out tent bow assy. 4059
.10		4755B7101	tip-out tent bow assy. 4078
.10		4759-5761	tip-out tent bow assy. 4091
.10	1A	4756C2071	glide-out tent bow 4050, 4078, 4081
.05	2	4754E6761	tip-out tent support 4059, 4078
.05		4759A5751	tip-out tent support 4091
.05		4773A5131	glide-out tent support 4050, 4078, 4081
.10	3	4734-6708	snap spring
.20	4	8470-1728	black pin m10
.10	5	4757-1351	tent support tip w/screw
		4757-4201	tip support shim
.10	6	4767-1051	tip-out support board 4059
.10		4757-4281	tip-out support board 4078
.10		4755-0971	tip-out support board 4091
.40	7	4757A8021	glide-out curtain track 4050, 4078, 4081
		1203-8951	rivet m25
	8	4716-4451	glide-out bow mounting pkg.



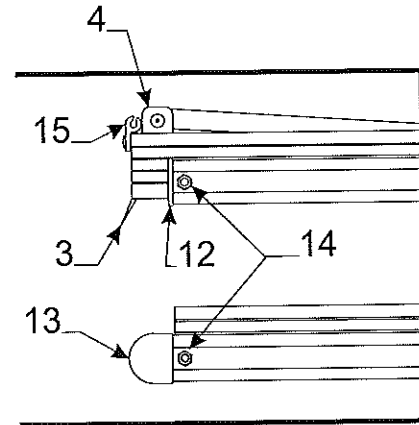
Tent Support Components			
Flat Rate	Code	Part #	Description
.20	1	4757-4301	tent support clasp m10
.10	2	4734-6708	spring assy.
.10	3	4734A6708	spring assy.
.10	4	4752A0561	tube closure "black" m2

Tent Support Assemblies (Complete)	
Flat Rate .10 per Tent Support	
King Bed	Double Bed
4772B6021	4759A6891



Flat Rate .75 Bed assy. replacement

4089, 96, 59	4759C5861	Rear Bed Assy. "Complete"(DOUBLE)
4050, 91, 78, 81	4759C5821	Rear Bed Assy. "Complete"(KING)
4050, 78, 59, 96, 81	4759C5831	Front Bed Assy. "Complete" (KING)
4089, 4091	4759C5841	Front Bed Assy. "Complete" (KING)



Flat Rate	Front/Rear Bed Assy. Components	Code	Part #	Description
*		1	4716U4031	bed extension (x2 per bed)
	Note: must cut to size if where applicable			
.25		2	4714C1901	tent bow/leg package
.25		3	4060300339P	vinyl bed seal (8' pc. pkg.)
.15		4	4720K5631	bed bow bracket m2
			4757-9241	1 1/2" plastic fender washer m2
			1203C8721	steel rivet m25 (affix bow to brkt.)
			1016B10148	machine screw x2 per brkt.
			1201B6958	wiznut x2 per brkt.
.20		5	4759A5881	rear bed leg assy. m2 (double bed)
.20			4759A5871	rear bed leg assy. m2 (king bed)
.20			4759B5901	frt. bed leg assy. m2 4050,59,96,78,81
.20			4759A5891	frt. bed leg assy. m2 4089, 4091
	Note: Individual bed leg pieces NOT AVAILABLE			
.15		6	4757-4331	bed leg clip
			1203-8831	rivet m25 (rivet clip to bed)
.15		7	4720D4021	lashing hook m6
			1203-8741	rivet m25 (rivet hook to bed)
.20		8	4714-4521	mounting screws (pkg. of 3 each)
	Pkg. includes screws, washers, plastic caps and washers			
		9	1203C8721	rivet m25
.50		10	4754-8101	bed roller, nut, bolt, & washer pkg.
		11	1202B2908	washer
.15		12	4754-8631	bed slide end cap
.15		13	4754-4821	bed slide wedge
.20		14	1034B16128	flat head screw
			1201B6378	lock nut
.50		15	4758-8301	bed end retainer track & rivets
.20		16	4758-9481	pull-out handle strap & rivets
			4758-8001	rivet "black" m25
.20		17	4755A2591	bed brkt. w/hardware x4
		18	4739-2298	lock nut

** .50 first extension
** .25 second extension

Flat Rate .50 per cover

Flat Rate .10 Matt assy.

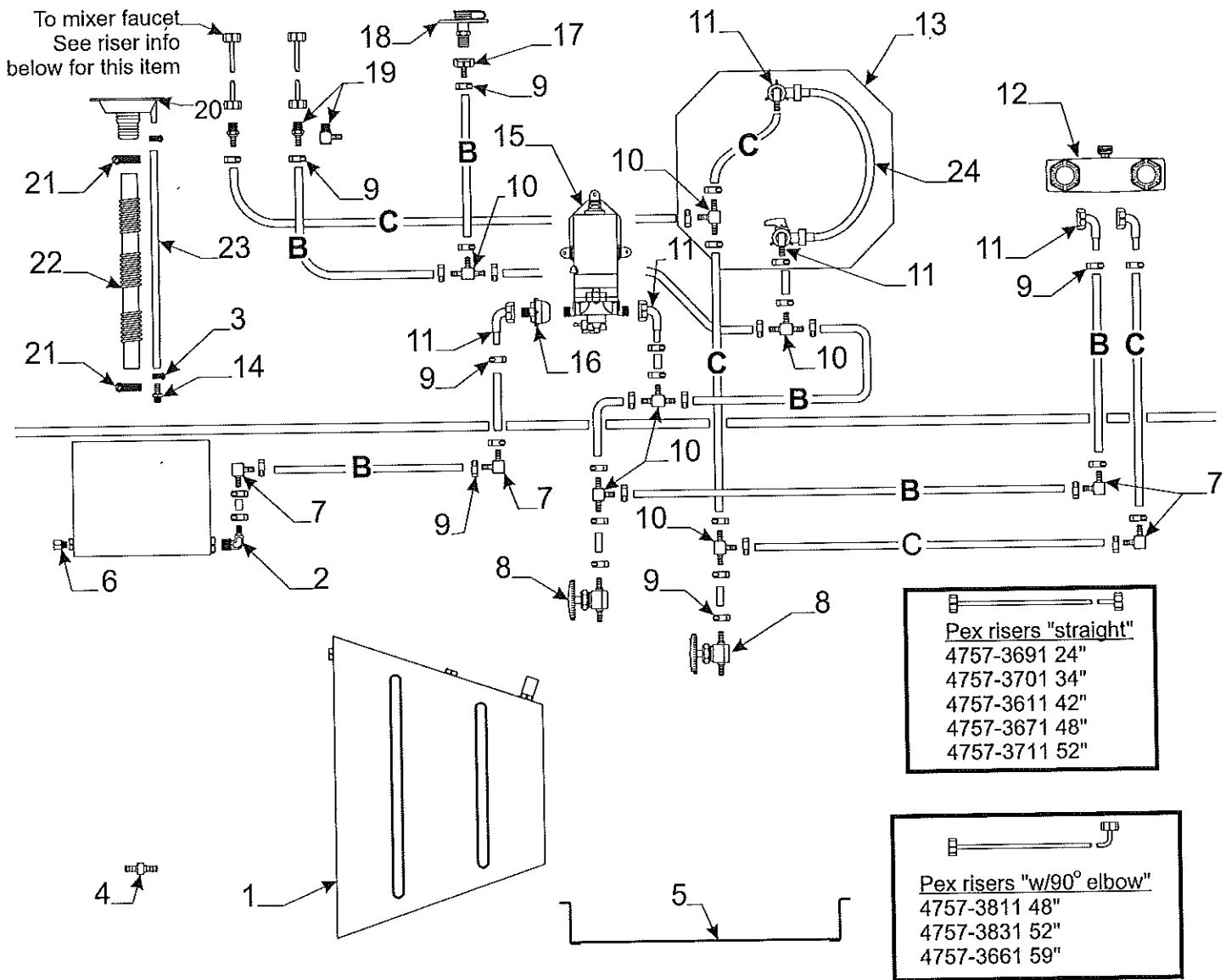
Quilted Mattress Assembly & Covers

KING Mattress Assy. - 4757H6421
KING Mattress Cover. - 4714H6421

DOUBLE Mattress Assy. - 4757J5091
DOUBLE Mattress Cover - 4716J5091

Mattress Assembly Dimensions

KING Mattress Size - 77" x 70" x 3 1/2"
DOUBLE Mattress Size - 77" x 48" x 3 1/2"

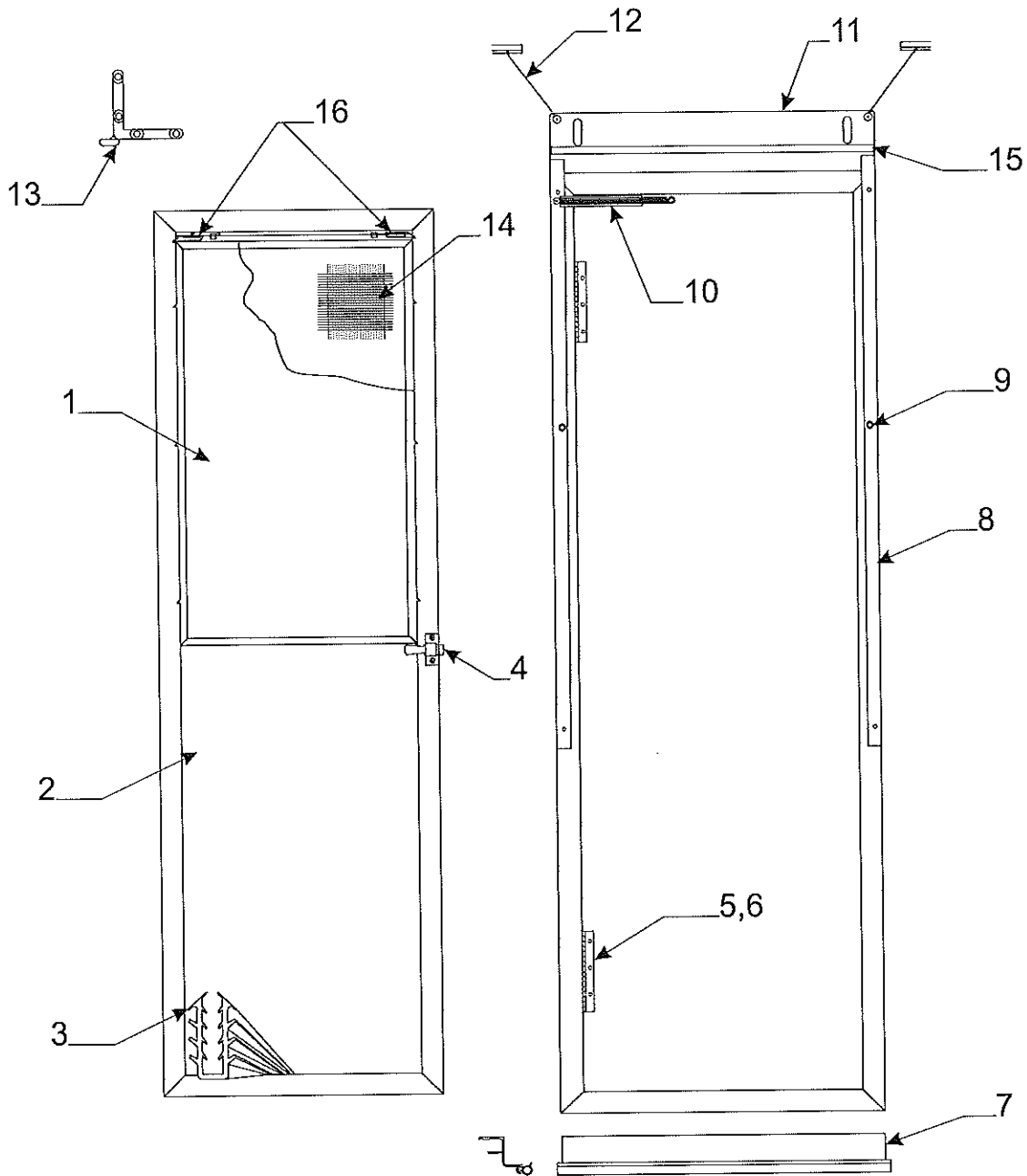


B 4060050006P 3/8" I.D. Pex tubing "cold" (20' pc. pkg.)
 C 4060050007P 3/8" I.D. Pex tubing "hot" (20' pc. pkg.)

4714-038 3/8" I.D. High pressure hose (sold/foot)

Flat Rate	Code	Part #	Description	Flat Rate	Code	Part #	Description
1.50	1	4757A0471	water tank 20 gal.	*	13	4750-3421	water heater (all)
.25	2	4741C2371	elbow "plastic"	.15	14	4732B4561	hose adapter
	3	4731-3058	adjustable hose clamp 3/8"	.50	15	4741D5571	electric water pump
	4	4755-4821	brass barbed union m10	.25	16	4747A8311	water filter
.20	5	4758-5381	tank hanger x2 (all)	.20	17	4741A9561	female adapter "copper"
.15	6	1218-7001	plug	.30	18	4732F1521	city fill
.25	7	4741C2391	brass elbow "Pex" m2	.20	19	4757-3631	brass adapter 3/8" barb "Pex"
.20	8	4741E2361	brass line drain "Pex"	.20		4758-1341	1/2" mpt x 3/8 elbow "Pex"
.25	9	4741A2751	stainless steel clamp m100	.30	20	4731D1711	fill spout
.25	10	4741C2381	brass tee "Pex" m10		21	4715-4501	adjustable hose clamp
.20	11	4741B9061	copper swivel elbow	.35	22	4731H1081	water fill hose (3' pc.)
.50	12	4741B2071	shower diverter	.20	23	4060050003F	1/2" h.p. hose (sold/ft.)
					24	4765-9971	water heater bypass kit

* Warranted By Vendor



4769-5011 Screen Door Assy.
 .30 Flat Rate Screen Door Complete

Note: parts marked w/* asterisk are not included w/screen door

Flat Rate	Screen Door Assy. Code	Components Part #	Description	Flat Rate	Code	Part #	Description
.10	1	4716E3401	top sliding window pane	.05	9	4730A3548	stud w/screw x2
.40	2	4754B1541	stationary window pane	.20	10	4731A8201	spring package
.15	3	4060000086F	rubber seal (sold/foot) Note: around perimeter of window pane	.30	11	*4759B0981	top bracket
.15	4	*4772-2901	door latch assembly	.15	12	4734D5211	cable assy. m6
.15	5	4720C3601	hinge x2	.50	13	4710-3791	corner brace hinge m2
.15	6	1203-8641	rivet m25	.75	14	4716-1381	screened stationary pane
.25	7	*4747A5621	screen door support	.10	15	4060000023P	d-seal "white" (5' pkg.)
.20	8	*4060000399F	rubber seal (sold/foot)	.50	16	4716-3811	window lock pkg. rt./lt.
		4754-3811	vel-stick (pkg. of 2)				

Dinette Area Cushion/Backrest Assemblies & Covers - 2006 Americana Series Flat Rate .10 Assembly - .25 Cover

Model	Cushion Assy.	Cushion Cover	Model	Backrest Assembly	Backrest Cover
4089,96,50,78,81	4754L5241	4714L5241	4089, 4096	4754L5231	4714L5231
4059, 4091	4756K5631	4714K5631	4050, 4078, 4081	4757J5591	4714J5591
			4059, 4091	4758H5741	4714H5741

Plastic Cushion Button x2 - 4710-2681 m5

Curbside Couch Cushion & Backrest - 4096, 4081

Model	Cushion Assy.	Cushion Cover
4096	4758F6191	4714F6191
4081	4769B5311	4714B5311

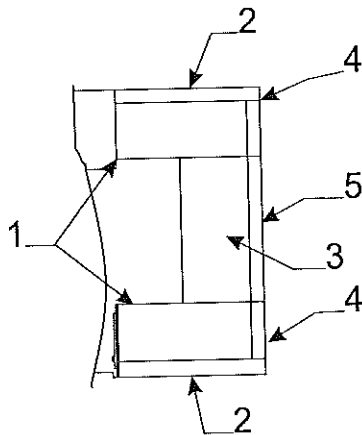
Model	Backrest Assy.	Backrest Cover
4096	4758F6201	4714F6201
4081	4769B5301	4714B5301

4767A3721- 16" x 16" throw pillow

Dinette Cushion/Backrest Dimensions

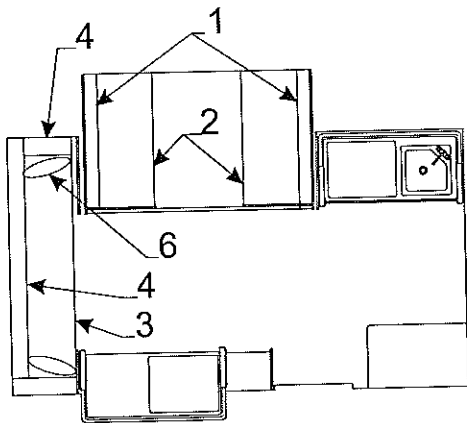
Part #	Cushion Assembly
4754L5241	43 1/4" x 19 3/8" x 4"
4756K5631	39 1/2" x 18" x 4"

Part #	Backrest Assembly
4754L5231	43 1/4" x 16 3/8" x 4"
4757J5591	42 1/4" x 15 5/8" x 4"
4758H5741	38 1/2" x 15 3/4" x 4"



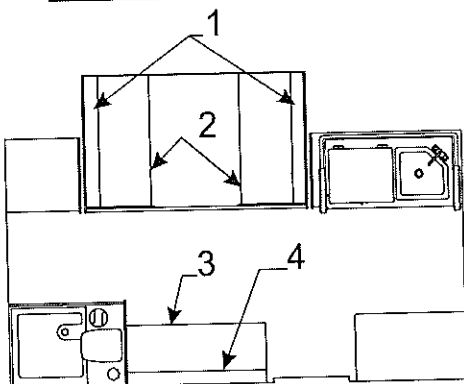
Flat Rate .10 Assembly - .25 Cover

Flat Rate	Cushion & Backrest Assy.'s 4091 Sun Valley
Code	Part # Description
.10	1 4753M6021 cushion assy. 41" x 19 3/8"
.25	4714M6021 cushion cover
.10	2 4753L6071 backrest assy. 41 3/8" X 11 3/8"
.25	4716L6071 backrest cover
.10	3 4759F5771 cushion assy. 41 3/8" x 19"
.25	4714F5771 cushion cover
.10	4 4756K5401 backrest assy. 14" x 11 3/8"
.25	4716K5401 backrest cover
.10	5 4759G5791 backrest assy. 41 3/8" x 15 3/4"
.25	4716G5791 backrest cover



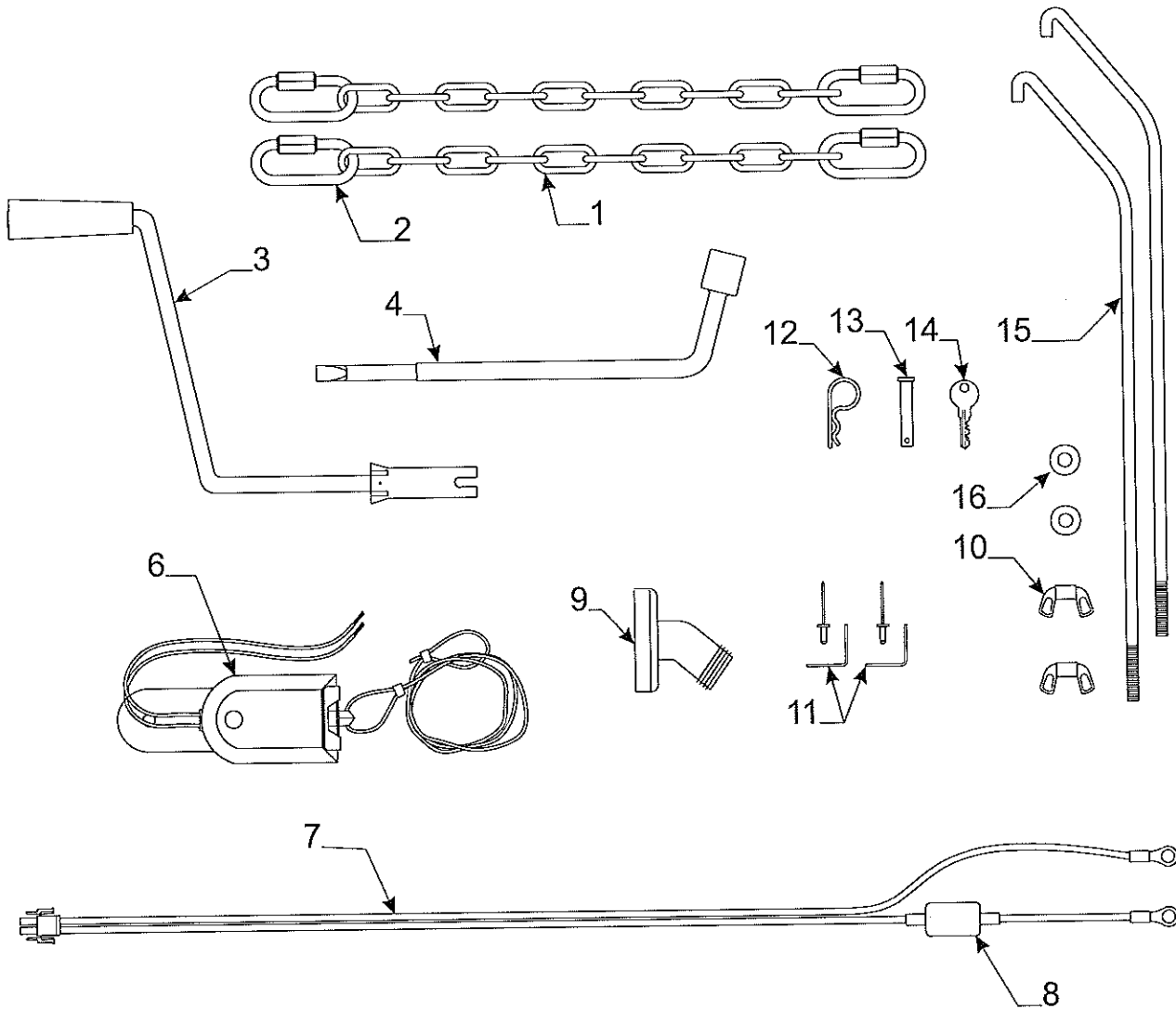
Flat Rate .10 Assembly - .25 Cover

Flat Rate	Cushion & Backrest Assy.'s 4078 Bayside
Code	Part # Description
.10	1 4754L5231 backrest assy. 43 1/4" x 16 3/8 x 4"
.25	4714L5231 backrest cover
.10	2 4754L5241 cushion assy. 43 1/4" x 19 3/8" x 4"
.25	4714L5241 cushion cover
.10	3 4757G6591 cushion assy. 80 1/4" x 21 1/4" x 4"
.25	4714G6591 cushion cover
.10	4 4757G6581 backrest assy. 72 1/4" x 14" x 5"
.25	4714G6581 backrest cover
.10	5 4755A7091 arm rest 21 1/4" x 14" x 5"
.25	4714A7091 arm rest cover
	6 4767A3721 throw pillow



Flat Rate .10 Assembly - .25 Cover

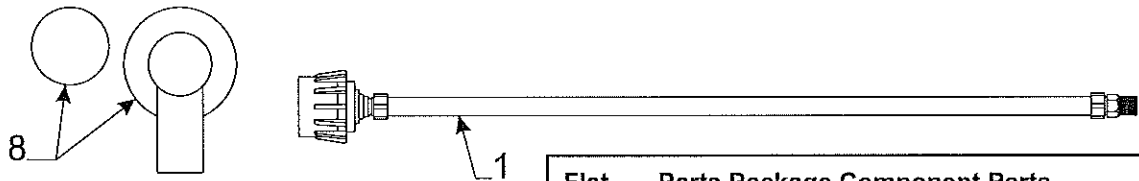
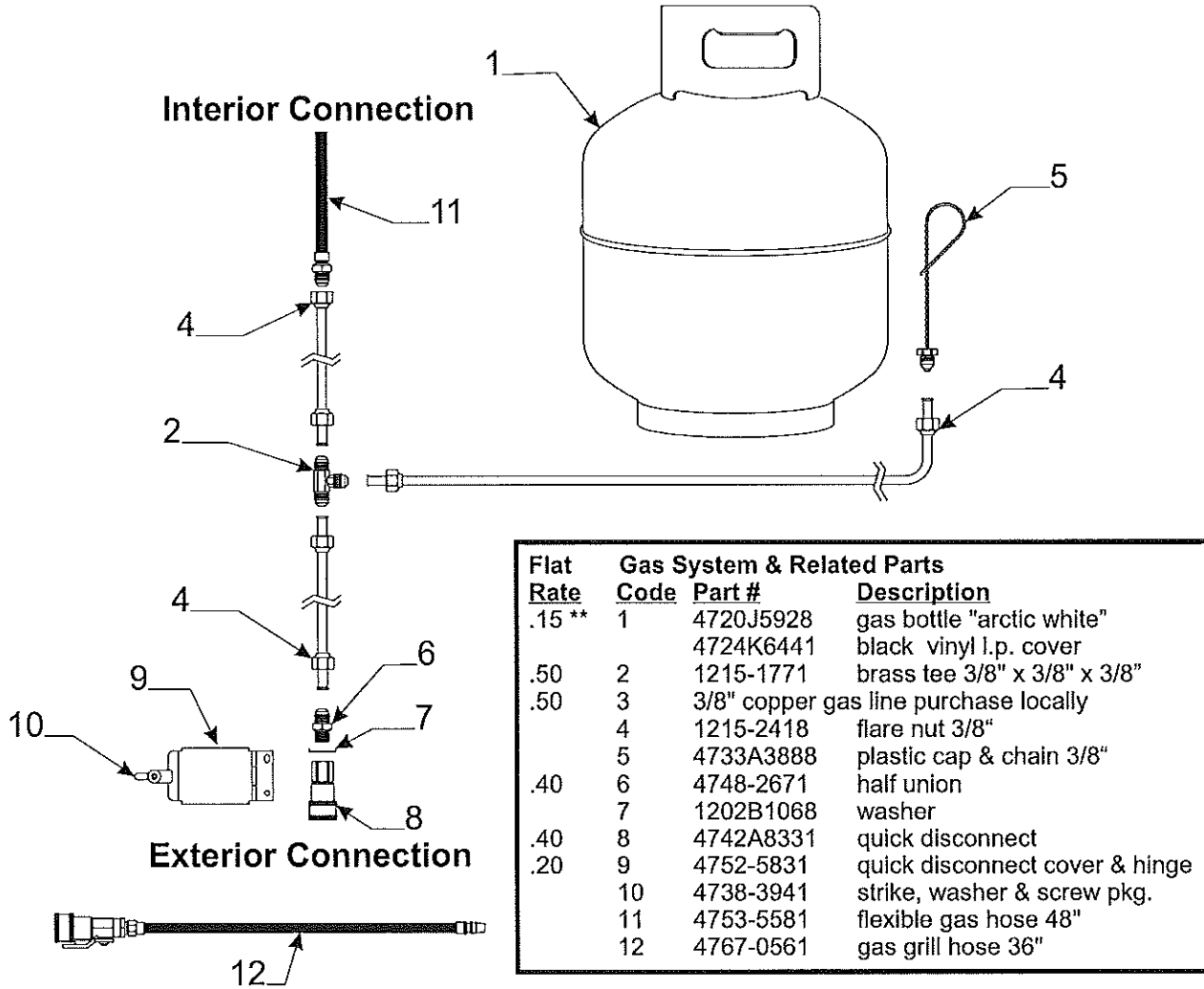
Flat Rate	Cushion & Backrest Assy.'s 4050 Williamsburg
Code	Part # Description
.10	1 4754L5231 backrest assy. 43 1/4" x 16 3/8 x 4"
.25	4714L5231 backrest cover
.10	2 4754L5241 cushion assy. 43 1/4" x 19 3/8" x 4"
.25	4714L5241 cushion cover
.10	3 4757F6761 cushion assy. 47" x 21 1/4" x 4"
.25	4714F6761 cushion cover
.10	4 4757F6771 backrest assy. 47" x 14" x 5"
.25	4714F6771 backrest cover



4750J6111 Parts Package (All)

Flat Rate	Parts Code	Package Part #	Component Parts Description
	1	4757-3901	29" tow chain w/quick links m2
	2	4757-3891	quick link (sold/signally)
	3	4747G4141	crank handle
	4	4749A1861	lug nut wrench
	5	4746-5381	winterizing adapter
	6	4746-0401	breakaway switch
	7	4749B5531	battery harness w/15 amp breaker
	8	4751-4811	15 amp circuit breaker
	9	4737-9138	drain adapter
	10	1201-6258	wing nut x2
	11	4753E6781	battery angle pkg.
	12	4732A4791	safety pin m10
	13	4771-2631	hitch pin m5
	14	4730B3211	key m10 # 8025 (gold plated)
		4716-7511	outside shower key m2 #Ch751
	15	4733G6281	gas bottle mounting brkt. pkg.
			Note: pkg. includes (2) wing nuts, washers
	16	1202B0468	washer x2 m10

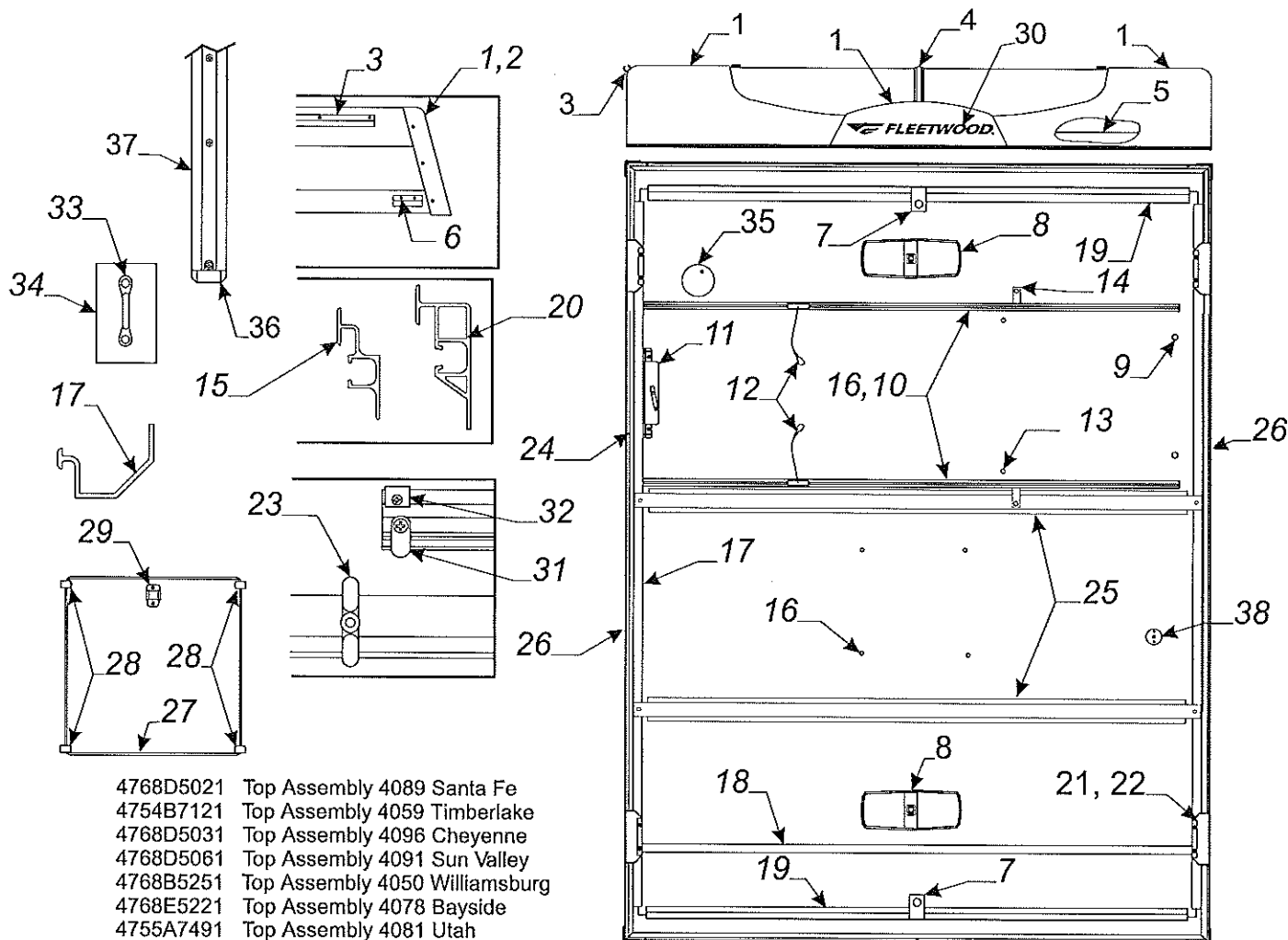
**** Serial Number Of Gas Bottle Must Be Supplied When Submitting Warranty**



Flat Rate	Parts Package Code	Component Parts Part #	Description
.45	1	4733D3991	gas hose w/acme nut 21"
.45		4733C3991	gas hose w/acme nut 30"
.45	2	4755-0401	regulator "low pressure"
	3	4753-8981	3/8" x 3/8" elbow (non hot water)
		4755-0421	1/2" x 3/8" elbow (hot water)
	4	0322A3301	brass spacer m2
	5	1203E8961	steel rivet m25
	6	4759-0441	mounting screw m2
	7	4741D9431	regulator mounting brkt.
	8	4734C3781	regulator cover (long)
		4751-9571	round regulator cover

Sunbrella Tenting & Components			
Flat Rate	Code	Part #	Description
.50	1	4768A5181	king tent boot
.50	2	4768A5171	double tent boot
.20	3	4759C5241	large window 4089 Santa Fe, 4096 Cheyenne
.20		4754B7311	large window "w/tip-out" 4059 Timberlake
.20		4759D5721	large window "w/tip-out" 4091 Sun Valley
.40		4756J6751	large window "w/glide-out" 4050, 4078, 4081
.20	4	4759D5251	small window 4089 Santa Fe
.20		4754-7821	small window 4059 Timberlake, 4096 Cheyenne
.20		4756F6761	small window 4050 Williamsburg, 4081 Utah
.20		4758D6771	small window 4091 Sun Valley
.20		4757K5871	small window "w/tipout" 4078 Bayside
.15	5	4759E5261	door seal 4089 Santa Fe
.15		4754-7811	door seal 4059 Timberlake, 4096 Cheyenne
.15		4756G6771	door seal 4050 Williamsburg, 4078 Bayside, 4081 Utah
.15		4758D6861	door seal 4091 Sun Valley
	6	8118501430P	top vinyl pkg. (85" x 3 yards)
	7	4716C0851	sunbrella patch package (12" x 14")
	8	6650500131F	zipper (sold/yard) used around window
		1225A4461	zipper pull m5
	9	8118001439P	bottom vinyl facing pkg. "blue" (3 yd. x 80")
	10	4714E1611	screen package (84" x 3 yards)
		4714A0361	screen package (84" x 13 yards)
	11	4350000009P	1" velcro hook (10' pc. Pkg.)
	12	4716-2401	clear window vinyl (41" x 2 yards)
	13	1225G3768	45 1/2" side zipper pin half
		1225G3758	45 1/2" side zipper slider half
.50	14	4060000245CP	shock cord (150' package)
.50		4714C6021	shock cord & hooks m2 (two 14' lengths)
.15		4724A2011	shock cord termination (plastic hook) m10
	15	4060000024F	arrowhead seal (sold/foot)
.30	16	4735D6721	extension harness
.50	17	4743-1588	k-kote seam sealer
	18	4728-5641	tent retainer pkg.
.30	19	4710-1001	vinyl daubing "white" m2
.30		4710-1011	vinyl daubing "grey"
.30		4710A1021	vinyl daubing "blue" m2

Drape Package (Less Valance Pkg.) Flat Rate .30	Drape Tie Package (Qty. 1) - 4767-4721 (all)
Note: Package includes privacy curtains	Flat Rate - .05
Model	Drape Pkg.
# Of Panels	
4059 Timberlake	4754B7241
4089 Santa Fe	4754M5711
4096 Cheyenne	4754L5501
4091 Sun Valley	4755L6181
4078 Bayside	4755L2981
4050, 4081	4757K5531
	7
	9
	9
	11
	13
	13
Drape Tab C-Shape m60 - 4750-2891 Flat Rate - .05	Dressing Room Curtain - Flat rate - .20
	4754B7451 - 4059 Timberlake
	4756H6331 - 4050 Williamsburg
	Shower Curtain "Vinyl" 4749A6661- 4050, 4059
	Flat Rate - .20 4748-8161 shower curtain clip m10
Privacy Curtain Pkgs. (Set of 2 Panels)	Valance Package - Flat Rate - .25
.15 4723N7901 - (all models)	4768C6181 - 4089 Santa Fe
	4768C6171 - 4059 Timberlake, 4096 Cheyenne
	4755A7481 - 4091 Sun Valley
	4757-7041 - 4050 Williamsburg, 4078 Bayside, 4081 Utah
Single Drape Panel w/Safety Straps	Glide-Out Curtain & Valance - Flat Rate - .20
.15 4716G7821 Single Drape Panel 48" x 45"	4714L5531 - 4050, 4078, 4081
.15 4716F8711 Single Drape Panel 43" x 45"	
.15 4716F8721 Single Drape Panel 35" x 45"	
.15 4716J9151 Single Drape Panel 22" x 45"	
Tip-out valance - 4757E4951 - 4059, 4091, 4078	Potty Curtain Pkg. 4089, 4078, 4081 - 4756J8401
	(Factory Installed Potty Cab.)



- 4768D5021 Top Assembly 4089 Santa Fe
- 4754B7121 Top Assembly 4059 Timberlake
- 4768D5031 Top Assembly 4096 Cheyenne
- 4768D5061 Top Assembly 4091 Sun Valley
- 4768B5251 Top Assembly 4050 Williamsburg
- 4768E5221 Top Assembly 4078 Bayside
- 4755A7491 Top Assembly 4081 Utah

Flat Rate	Code	Part #	Description	Flat Rate	Code	Part #	Description
.50	1	4716U2001	top end cap pkg. (rt./lt. & center)		17	4767-306	side cove x2 (must cut to size)
	2	4356500043P	butyl tape 1" x 3/16" (20' pc.)		18	4747-2558	expansion rivet m25
.50	3	4757-3561	screw "painted"	.20	19	4350400004F	vinyl tape (sold/foot)
1.00	4	4752-02791	canopy track (must cut to size)		20	4756B0671	cove (front/rear)
		4060400096F	center seam (must cut to size)	.30	21	4060000092P	tent & val. track
		4741-3508	vinyl screw cover (sold/foot)	.20	22	4747D5521	lift pocket cover x4
		4350000101P	hex head screw		23	4741D3558	hole plug x2
.50	5	4756A0681	butyl tape 1" x 1/8" (30' pc.)		24	4351400005F	velcro loop (sold/yard)
.15	6	4750A9581	frt./rr. seal extru.	.25	25	4741B5431	lift pocket x4
		4744C2461	top strike m2	.15	26	1201B6378	lock nut (x2 per pocket)
.15	7	1201B6958	torx head screw "painted" m2	.50	27	4743-2501	screen dr. latch pkg.
		4741F11381	nut (x2 per strike)	.75	28	4060100399P	rubber top seal (40' package)
.15	8	4741C9368	tent support brkt.	.10	29	4716A8991	roof brace kit
		4744E4741	screw "painted" x2	.75	30	4757C3171	side seal extrusion 4089, 59, 96
.15	9	4758-1361	double light	.10	31	4754D9801	side seal extrusion 4078,91,50,81
		1103B1028	dome light lens	.10	32	4755B5231	shower curtain rod 4059
.30	10	4737-3211	screw x4	.20	33	4755A5231	shower curtain rod 4050
		4733H47181	rubber button m8	.15	34	4755-5211	shower rod strap x4 4059, 4050
.20	11	4744B4611	screen door track x2	.15	35	4767-0111	shower head brkt. 4059, 4050
		4749C5571	expansion rivet m25	.20	36	4749-2138	fleetwood keystone
		4747-2558	screen door bracket	.05	37	4728A5641	expansion rivet m25
		1203-8631	expansion rivet m25		38	4750-2891	tent retaining pkg.
.15	12	4734D5211	screen door cable m6			4758C4981	drapery tab c-shape m60
.15	13	4730A3548	stud w/screw x2	.15		4758C4981	steel loop m2
.30	14	4723A5061	strap x2			4350000125P	3" x 4" flextrud white
		4060000093P	tent track (frt./rr.)			4767-4641	carbon monoxide detector
		1203-9258	plastic accordion rivet m25			4758A4461	track end cap "plastic"
						4758C4981	cargo track (must cut to size)
						4756A8291	aux. Light jack