

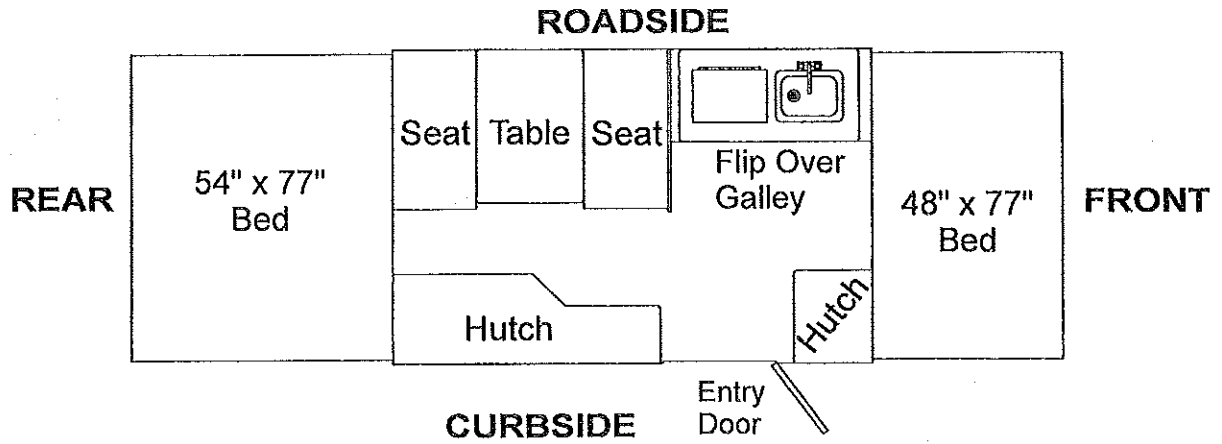


**2005**  
**Off Road Series**  
**Repair Parts Catalog**

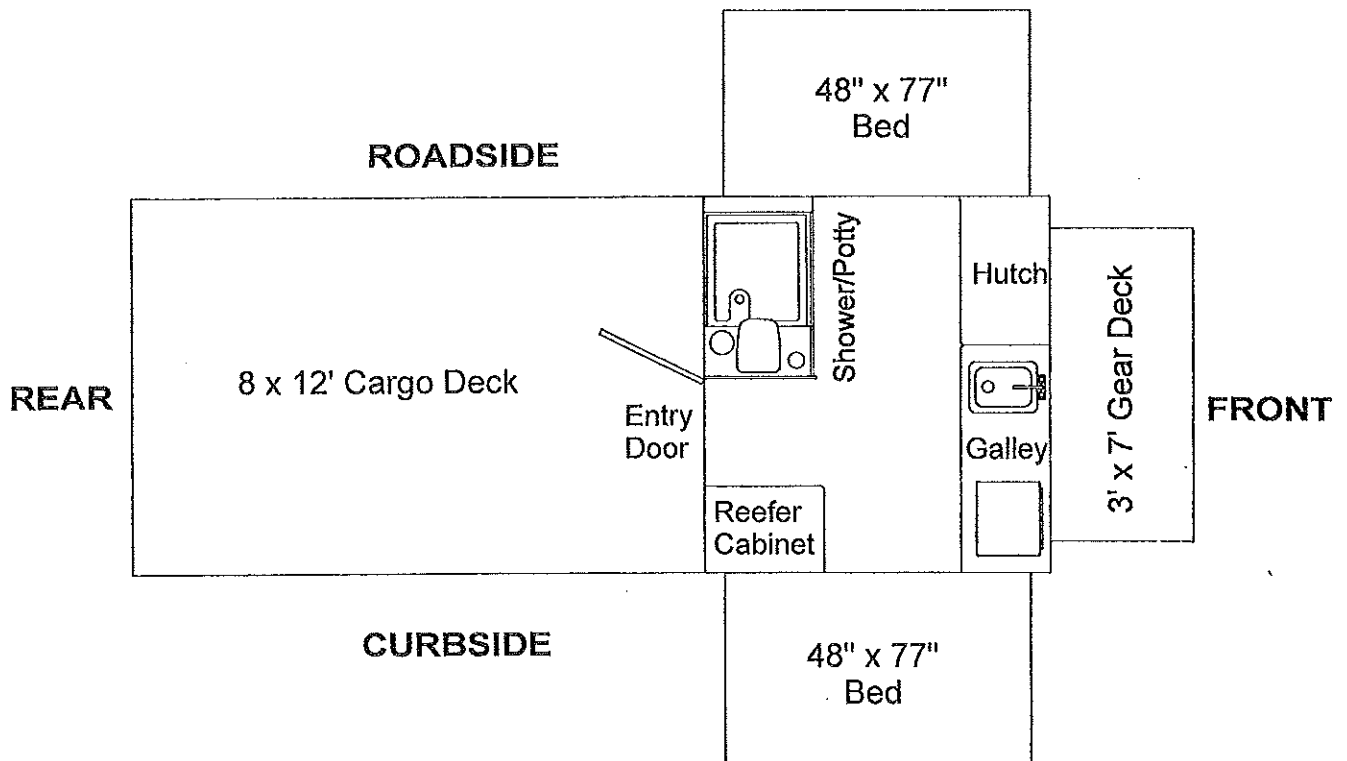
3947 Evolution  
3948 Scorpion

# 2005 OFF ROAD SERIES

## 3947 Evolution 9 1/2'



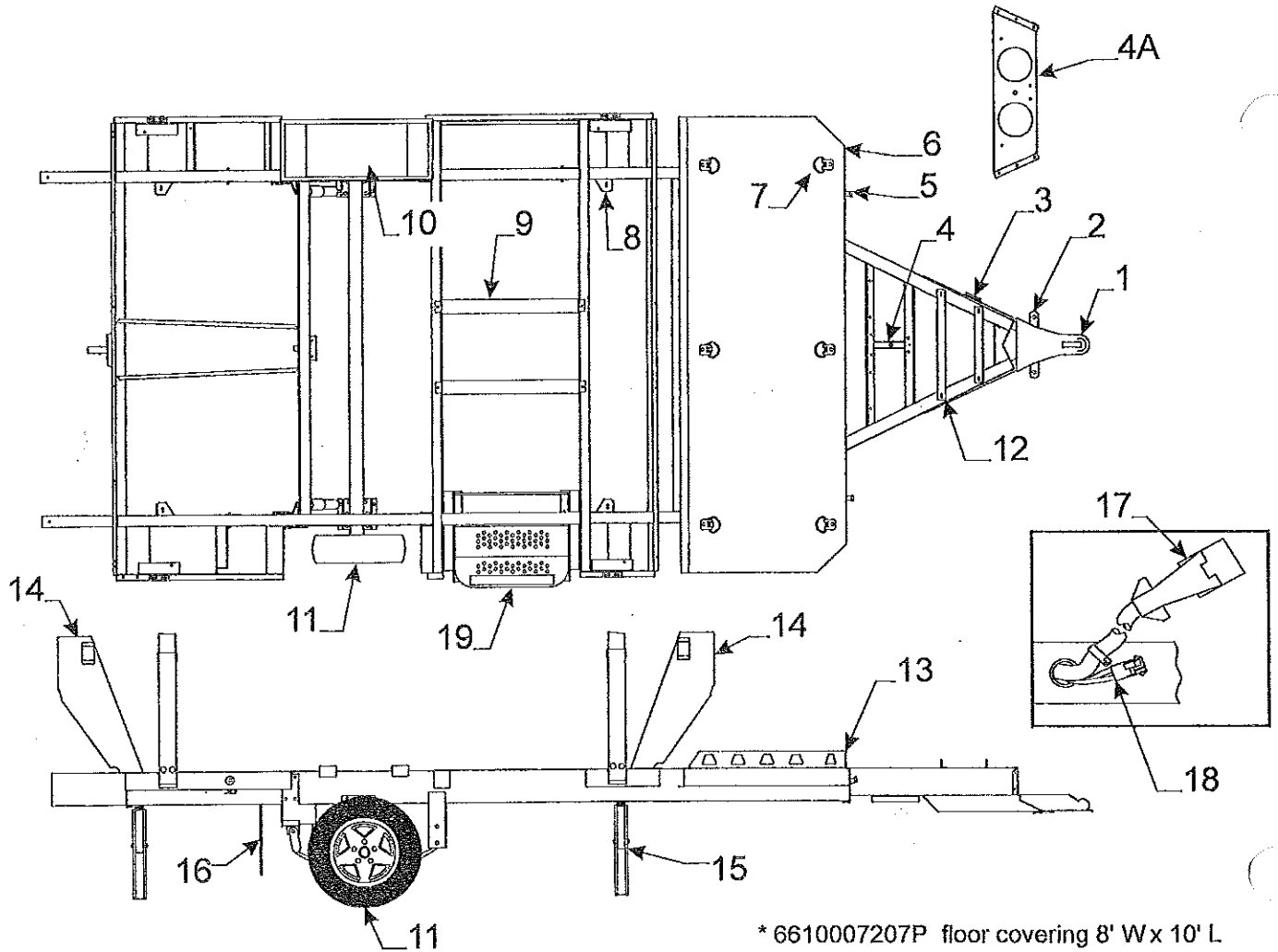
## 3948 Scorpion 8'



## TABLE OF CONTENTS

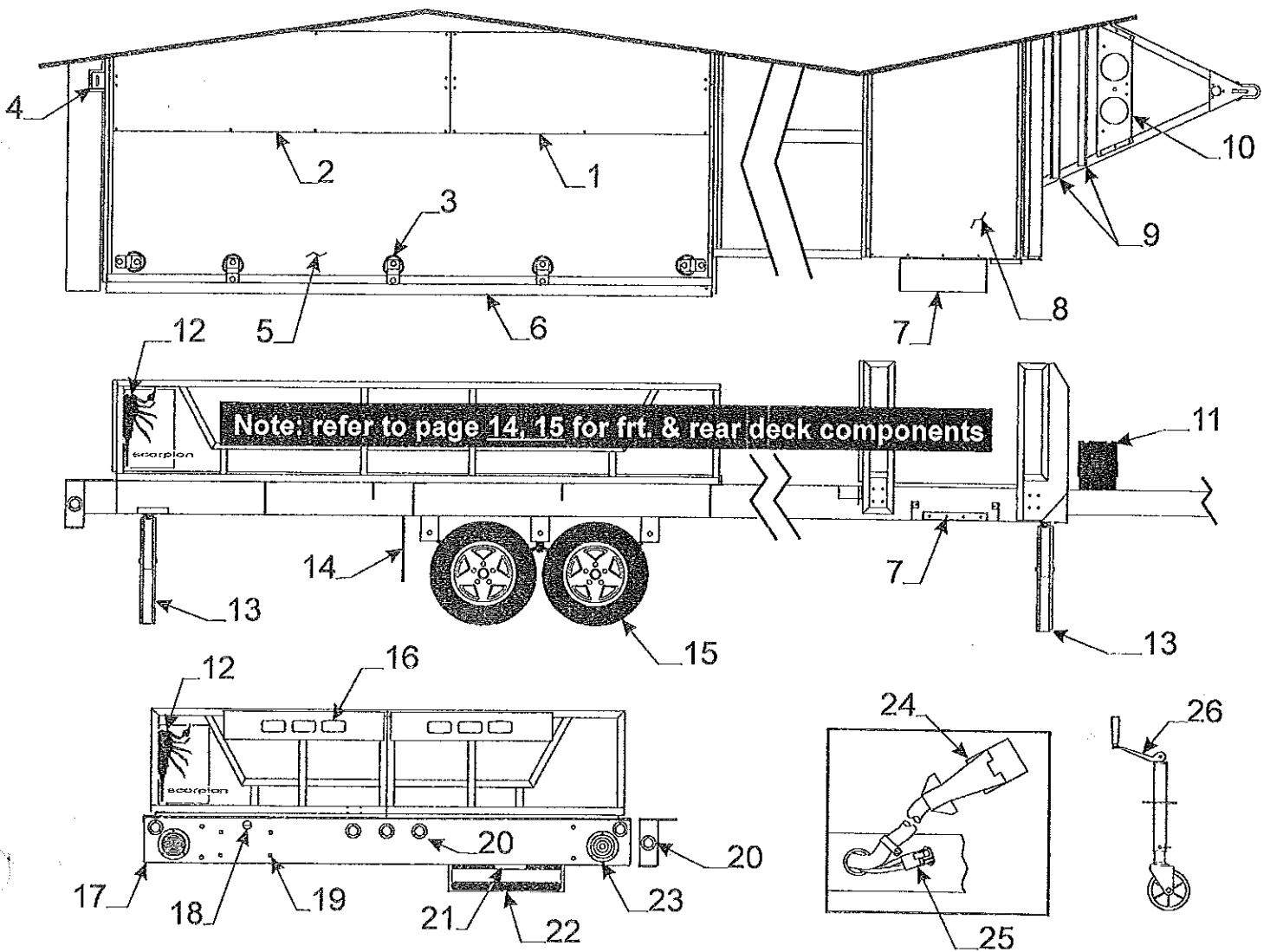
<u>DESCRIPTION</u>	<u>PAGE</u>	<u>DESCRIPTION</u>	<u>PAGE</u>
Access door key .....	28	Potty "cassette" (Scorpion) .....	21
Access door assembly & related parts .....	11	Power cord (converter) .....	22
Auto extension .....	7	Radio/cd player .....	20
Axle assemblies & related parts .....	6	Receptacle (exterior) .....	10, 12
Backrest assemblies & covers .....	27	Receptacle (interior) .....	22
Battery box (plastic) .....	3	Refrigerator vents .....	9, 13
Bed assemblies .....	24	Regulator & fittings .....	29
Bed extensions & related parts .....	24	Safety chains (Evolution) .....	28
Body panel right rear "curbside" (Evolution) .....	10	Screen door & related parts .....	26
Body panel left side "roadside" (Evolution) .....	9	Seat bench component parts (Evolution) .....	23
Body panel front & rear Evolution .....	8	Shock kit (Evolution) .....	6
Body panel right front "curbside" (Evolution) .....	11	Shower curtain (Scorpion) .....	27
Body panel front/rear (Scorpion) .....	10	Shower curtain track (Scorpion) .....	21
Body panel curbside/roadside (Scorpion) .....	13	Shower stall w/potty components (Scorpion) .....	21
Bumper & related parts .....	3, 8	Sink & related parts .....	16
Cabinet assembly (reefer/storage) .....	19	Spare tire cover (black vinyl) .....	2
Cabinet assembly roadside rear (Scorpion) .....	20	Spare tire mount & components .....	8, 15
Carbon monoxide detector .....	31	Speaker (Scorpion) .....	23
Caulking .....	7	Stabilizer assembly .....	2, 3
Converter & related parts .....	22	Stabilizer handle/lug wrench combo .....	28
Converter storage door (Scorpion) .....	20	Step components (Evolution) .....	7
Coupler assembly .....	2	Steps (Scorpion) .....	3
Crank-up/crank-down components .....	4	Stove components (galleys) .....	17
Crank handle .....	28	Table assemblies & related parts .....	17
Cushion assemblies & covers .....	27	Taillights (rear body panel) .....	3, 8
Cargo deck & gates "rear" (Scorpion) .....	14	Tent support assemblies & related parts .....	30
Cargo tie down anchors .....	2, 3	Tenting & related parts (sunbrella) .....	30
Gear deck & gates "front" (Scorpion) .....	15	Thermostat (Hydro Flame) .....	20
Deck platform (Evolution) .....	2	Thrust bearing .....	4
Door bulkheads .....	10, 11, 12	Tie backs (curtains) .....	27
Drain hose (used on sinks) .....	16	Tie down anchors .....	2, 3
Drape packages & related parts .....	27	Tire & rim .....	2, 3
Drawer assembly .....	19	Tire cover "black vinyl" .....	2, 3
Electric brakes & related parts .....	6	Tongue jack & related parts .....	3, 4
Fire extinguisher & components .....	19	Top assemblies & related parts .....	31
Floor covering .....	2, 3	Valance package .....	27
Frame assembly & related parts .....	2, 3	Water heater .....	25
Galley components (Evolution) .....	18	Water faucet .....	18, 20
Galley components (Scorpion) .....	20	Water system & related parts .....	25
Gas detector .....	22	Wheel well .....	2
Gas hose (gas bottle hook-up) .....	29	Whiffletree & related parts .....	5
Gas hose (outside grill hook-up) .....	29	Zippers (tenting assemblies) .....	30
Gas bottle mounting brackets .....	28		
Gas quick disconnect (outside gas hookup) .....	29		
Gas bottle cover (black vinyl) .....	2, 3		
Gas bottle & related parts .....	29		
Grease cap (dust cap) .....	6		
Heater vent (plastic) .....	20		
Heater vent (metal) .....	18		
Hub assembly & related parts .....	6		
Hutch assembly "curbside" (Evolution) .....	19		
Lift assemblies & related parts .....	5		
Lift trim & miter covers .....	10, 11		
Lug wrench .....	28		
Mattress assemblies & covers .....	27		
Microwave (Scorpion) .....	20		
Paint (spray & quart can) .....	7		
Paneling & trim .....	23		
Parts package & components .....	28		
Pigtail (car end) .....	2, 3		

Axle/Brakes - Dexter .....	219/295-1900
Cassette Potty - Thetford .....	800/444-7210
Converter - World Friendship Co. ....	800/900-2468
Furnace - Hydro Flame #7916-11 .....	800/546-8759
Hand pump - Shurflo .....	800/762-8094
Mixer Faucet - Empire Brass .....	800/431-6440
Refrigerator - Dometic .....	800/216-5115
Stove - Atwood Greenbrier .....	800/646-8557
Stove - Vitco .....	877/825-8528
Tires - Duro .....	800/966-8473
Water heater - #5031E .....	423/775-2131
Yakima bike rack - to obtain repair parts .	800/925-4621



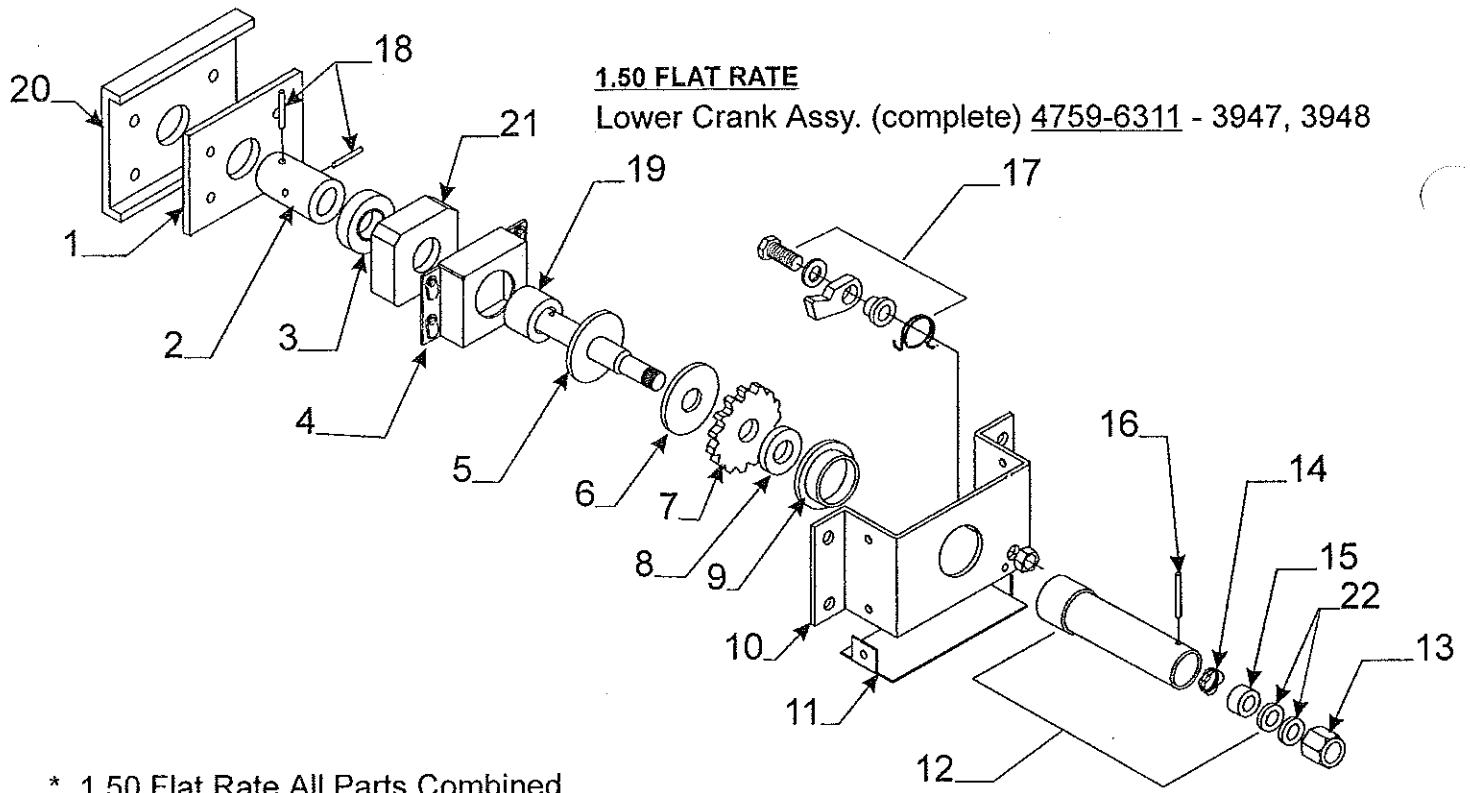
\* 6610007207P floor covering 8' W x 10' L  
 \* Prior Authorization Needed From Factory

Flat Rate	Frame Code	Component Part #	Description	Flat Rate	Code	Part #	Description
1.50	1	4742-2001	coupler assembly		12	4716A7151	frt./rear battery angle pkg.
.25		4714A2211	coupler repair kit	.50	13	4713-0041	deck rail kit
.75	2	4720A3561	chain bar	2.00	14	4701-509	corner bulkhead csr/rsf
.75	3	4720B3331	tongue jack bracket	2.00		4701-508	corner bulkhead rsr/csf
.15	4	4701-033	gas bottle support	.25	15	4701-2491	stabilizer assembly
.50	4A	4701-2631	dual gas bottle tray			4766A053	tek screw (x4 per stabilizer)
.10	5	4714-0391	bed leg pin pkg.			4766-0481	stabilizer crank handle
1.00	6	4701-1561	deck	.20	16	4713-0051	mud flap pkg. rt./lt.
.10	7	4701-1911	tie down anchor		17	4753B3751	trailer harness
.75	8	4732E3671	adjustable pulley brkt. x4			1201-8738	3/8" clamp
.25		4715A5371	pulley & bearing m10			1203C8721	steel rivet m25
		4720C1578	short pin m4			4742-8108	1 1/4" snap bushing
		1204B1081	cotter pin m10	.15	18	4716A5001	12 volt power harness
	9	4758-5391	water tank hanger x2	.50		4749B5531	12 volt wire harness m2
2.00	10	4701-557	wheel well x2	.50	19	4747A9741	single step
.25	11	4772-3598	tire & rim 13"	.50		4701-5341	double step
.25		4701-2388	tire & rim 15"				
		4701-5681	13" vinyl tire cover				
		4701-5671	15" vinyl tire cover				



\* 6610007208P floor covering 8' W x 9' L.  
 \* Prior Authorization Needed From Factory

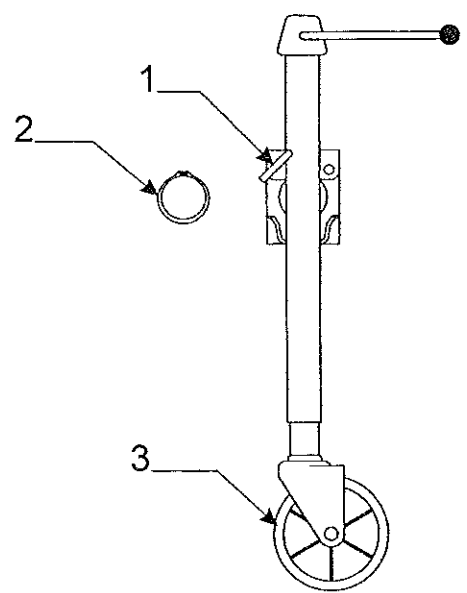
Flat Rate	Frame Code	Component Part #	Description	Flat Rate	Code	Part #	Description
.50	1	4800A183	kick stand plate "frt"	.15	16	4714J08581	red marker light
.50	2	4800A184	kick stand plate "rear"	.10		4716A4561	red lens (lens only)
.10	3	4701-1571	tie down anchor	1.00	17	4800-1441	bumper
.25	4	4800-2011	lock arm plate	.15	18	4739B4311	tag light
*	5	4800A564	cargo floor section cs/rs	.05	19	4732-1181	plastic grommet m4
*	6	3530800001	cs/rs alum. extrusion	.05		1121C1618	license plate screw x2
.50	7	4800-181	step cs/rs	.15	20	4800-1451	red marker light "round"
*	8	4767-4141	3/8" x 15" yellow stripe	.15	21	4800-0431	step light
		4800A554	front deck platform	.50	22	4800-2601	rear pull-out step
.30	9	4716B7151	battery angle pkg.	.20	23	4701-0601	taillight & gasket
.50	10	4763-404	dual gas bottle tray		24	4753B3751	trailer harness
	11	4751-8451	battery box "plastic" x2			1201-8738	3/8" clamp
.25	12	4800-2438	scorpion logo			1203C8721	steel rivet m25
.25	13	4701-2491	stabilizer assembly			4742-8108	1 1/4" snap bushing
		4766A053	tek screw		25	4716A5001	12 volt power harness
		4761-2401	stabilizer crank handle	.15		4749B5531	12v wire harness m2
.20	14	4800-5681	mud flap pkg. rt./lt.	.25	26	4800-1101	tongue jack
.25	15	4800-2338	tire rim ST205-75R-15				
		4772-3601	chrome lug nut m5				



**1.50 FLAT RATE**  
 Lower Crank Assy. (complete) 4759-6311 - 3947, 3948

\* 1.50 Flat Rate All Parts Combined

Flat Rate	Crank Up/Crank Down	Component Parts	Flat Rate	Code	Part #	Description
	1	4756-8321 bearing housing plate	*	11	4751-3721	housing cover plate
1.50	2	4756-8301 coupler bushing			1203-8641	rivet m25
1.50	3	4720C2421 thrust bearing	.75	12	4716A1741	drive hub ext. pkg.
*	4	4750A9251 bearing housing			<b>Note: pkg. Includes parts marked w/* asterisk</b>	
		4738A0898 hex bolt x4		13	*4751-3551	5/8" nut
*	5	4751-3701 drive shaft	.50	14	*4752-3921	handle spring x1 m2
*	6	4751-3561 pressure plate	.50	15	*4751-4671	nylon washer x1
*	7	4751-4831 ratchet wheel	.10	16	*4747A9451	spiral roll pin x1 m6
*	8	4751-3581 pressure washer	.60	17	4716-1221	ratchet pawl pkg.
*	9	4751A3591 shaft bushing	1.00	18	4744A1301	shear pin x1 m10
*	10	4751B3691 crank housing	1.50	19	4756A8311	spacer bushing
		4731-3878 hex head bolt x4		20	4750A9261	plate "painted"
		1201B6038 lock nut x4	1.50	21	4756-8441	bearing house square spacer
				22	4757-3938	washer x2



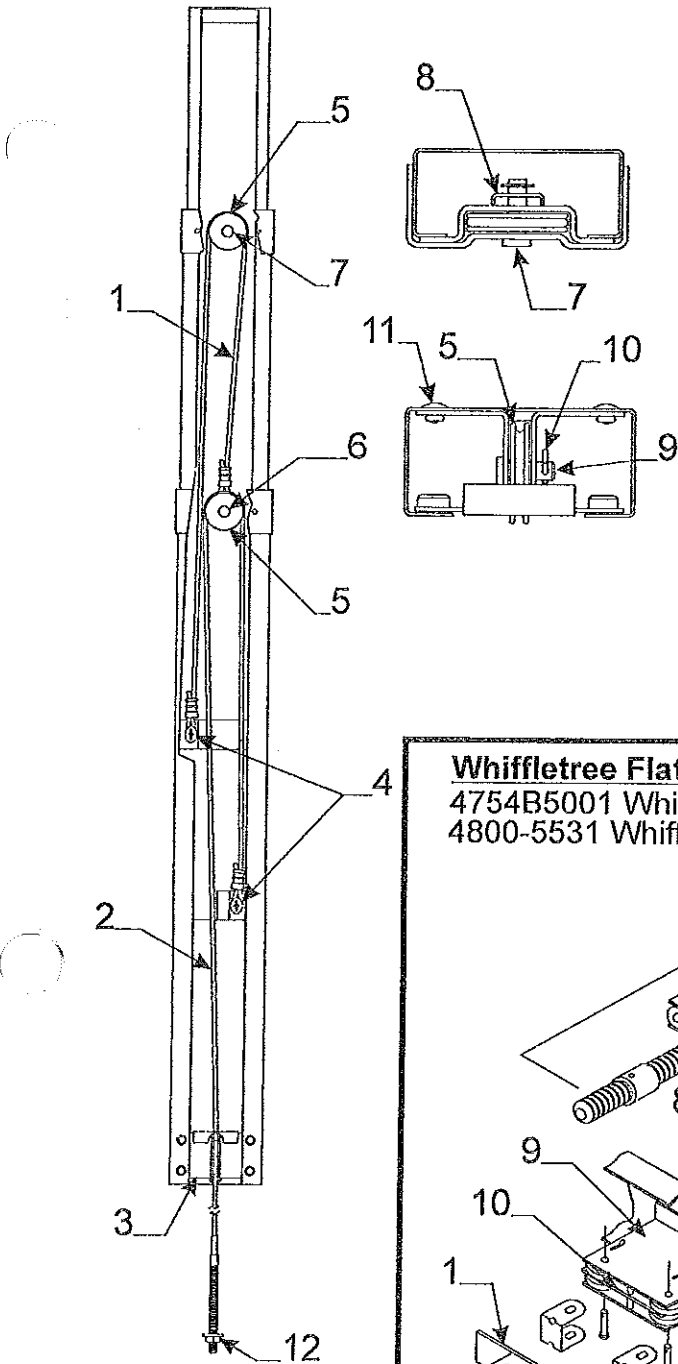
Flat Rate .10 Jack Removal - Evolution  
Flat Rate .25 Jack Removal - Scorpion

**Tongue Jack Assembly (4701-2081) 3947 Evolution**  
**Tongue Jack w/plate "center mount" (4800-1101) 3948 Scorpion**

Flat Rate	Code	Part #	Description
.15	1	4716-1981	locking plunger kit - 3947
.10	2	4720A3341	snap ring - 3947
.25	3	4716-1971	jack wheel nut & bolt - 3947

### Flat Rate 1.25

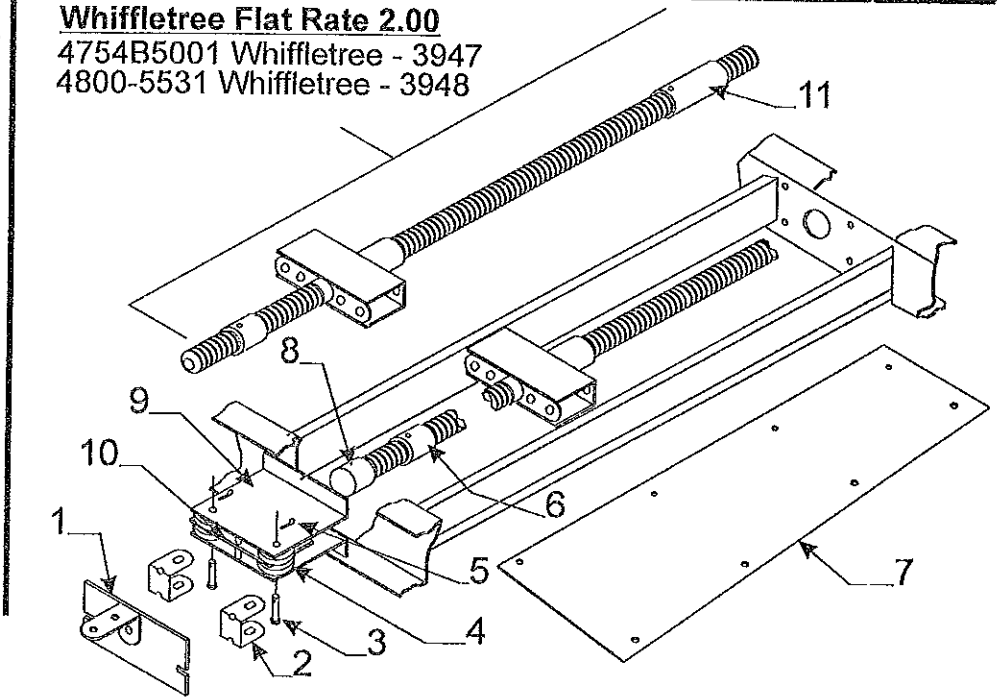
- 4716A0031 lift assy. roadside rear/curbside front - 3947 Evolution
- 4716A0041 lift assy. roadside front/curbside rear - 3947 Evolution
- 4772-5091 lift assy. roadside rear/curbside front - 3948 Scorpion
- 4772-5101 lift assy. roadside front/curbside rear - 3948 Scorpion



Flat Rate	Lift Assembly Code	Component Part #	Description
.75	1	4720D5271	cable assy. x1 m2
		4720C1691	cable crimp m20
1.25	2	4772-0201	194 1/2" long cable & crimp
		4744-1318	copper cable crimp m10
1.25	3	4731C5801	butterfly bracket assy.
.05	4	4749-2081	screw m6
.50	5	4715A5371	steel pulley & bearing m10
.25	6	4747-8931	long pin x2
		4730B0981	retaining ring m12
.25	7	4749-4061	short pin m4
		4730B0981	retaining ring m12
.25	8	4749A2028	retaining clip
.45	9	4720C1578	lift pin m4
	10	1204B1081	cotter pin m10
	11	1203-8641	rivet m25
	12	1201B6378	1/4" lock nut
		1202E0408	washer

### Whiffletree Flat Rate 2.00

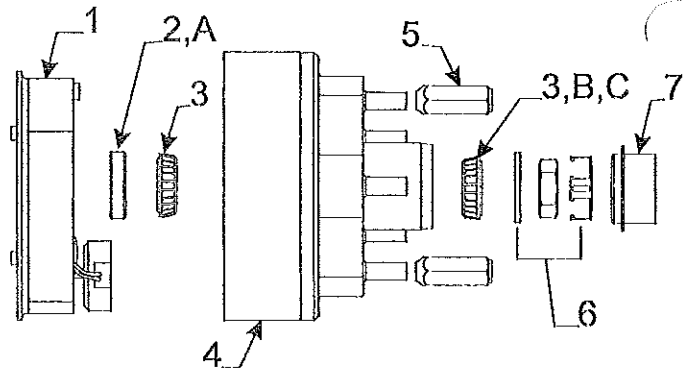
- 4754B5001 Whiffletree - 3947
- 4800-5531 Whiffletree - 3948



Flat Rate	Whiffletree & Related Parts Code	Part #	Description	Flat Rate	Code	Part #	Description
.15	1	4749A821	mud flap & brkt.	.25	7	4752B4921	whiffletree pan cover
.50	2	4744B1741	cable retainer x2			4755-4611	tek screw m25 (fasten pan in place)
.20	3	4720J1561	long pin m4	2.00	8	4730D1291	screw socket (welded)
.50	4	4715A5371	pulley & bearing m10	2.00	9	4720-1551	pulley plate
.10	5	1204B1081	cotter pin m10	.50	10	4715D5661	pulley spacer
1.60	6	4710B4248	bushing		11	4772A184	bushing 3"
		4744A1301	solid shear pin m10				

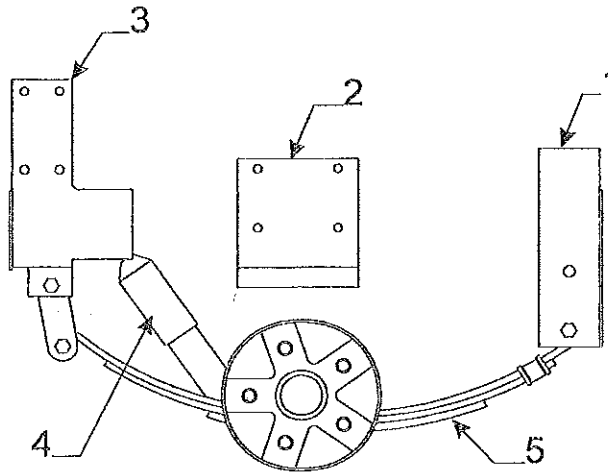
**Flat Rate .50 Per Side  
Electric Brake Pkg. 10 x 2 1/4" (4714J2011)**

Flat Rate	Code	Part #	Description
.50	1	4716-6251	10" brake assembly (right hand)
.50		4716-6261	10" brake assembly (left hand)
.50	2	4716A1441	10" grease seal (2 per pack)
.50	3	4716A1451	10" bearing, race & seal pkg.
.30	4	4716-1431	10" hub & drum x2
.05	5	4772-3601	lug nuts m5
.10	6	4714A3061	retainer package
.05	7	4714C0621	EZ lube grease cap m4



**Crossover Numbers To Purchase Locally**

- A K71-303-00 Grease Seal
- B L44649 Bearing "outer" - L68149 Bearing "inner"
- C L44610 Race "outer" - L68111 Race "inner"



4701-0411 3500 lb. Brake Axle Assy - 10" hubs (Complete) - 3947 Evolution  
4800A1431 Pro spec 2000 10" brake axle assy. x2 - 3948 Scorpion

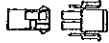
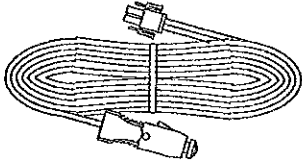
**NOTE: Refer to Dexter Axle for required part (s) phone - 219/295-1900**

Flat Rate	Code	Part #	Description
*	1	4701-502	frt. hanger brkt.
.25	2	4701-504	axle stop brkt.
*	3	4701-506	rear hanger assy.
.25	4	4701-0261	shock kit
.75	5	Must order through Dexter Axle	

\* Prior Authorization Needed from Factory



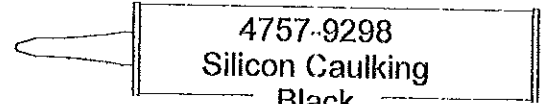
4733D6701 auto extension



4716A4701 12 volt cap & plug m2



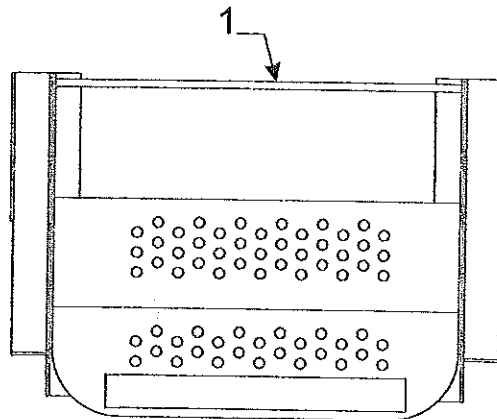
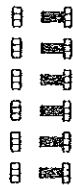
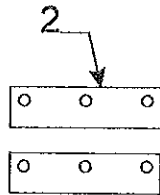
16 oz. spray



4757-9298  
Silicon Caulking  
Black

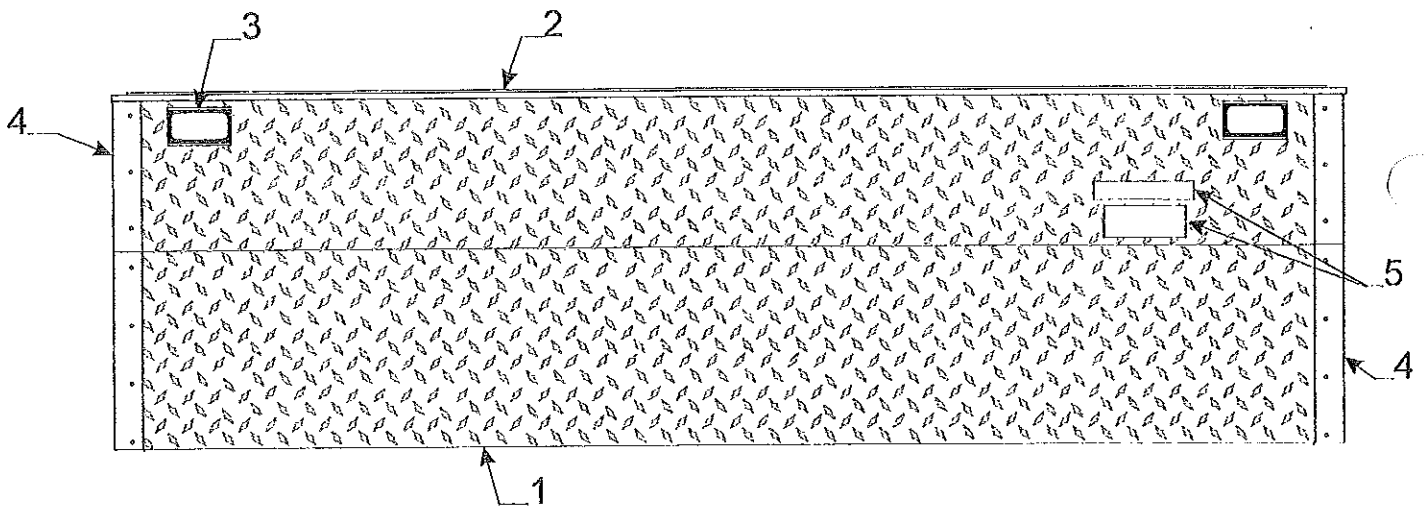
4745C3908  
Caulking Arctic White

0008-2571 black  
0008-2641 black textured



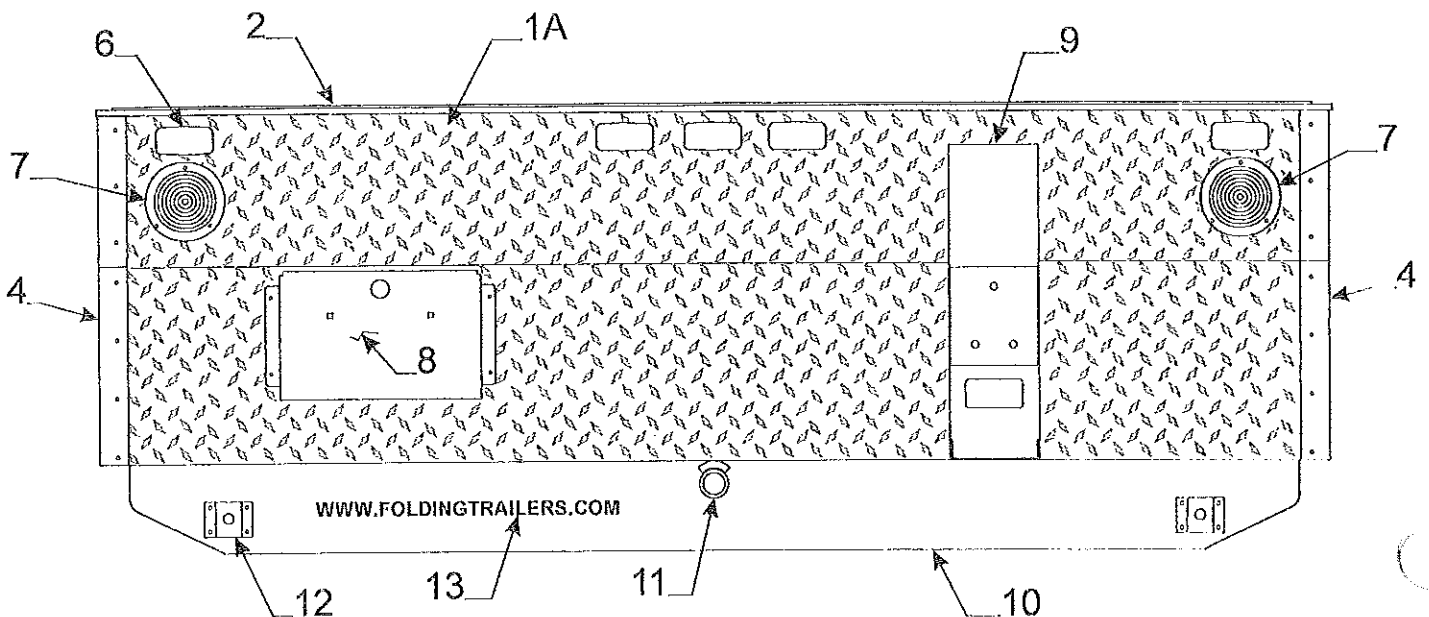
**3947 Evolution - Step**

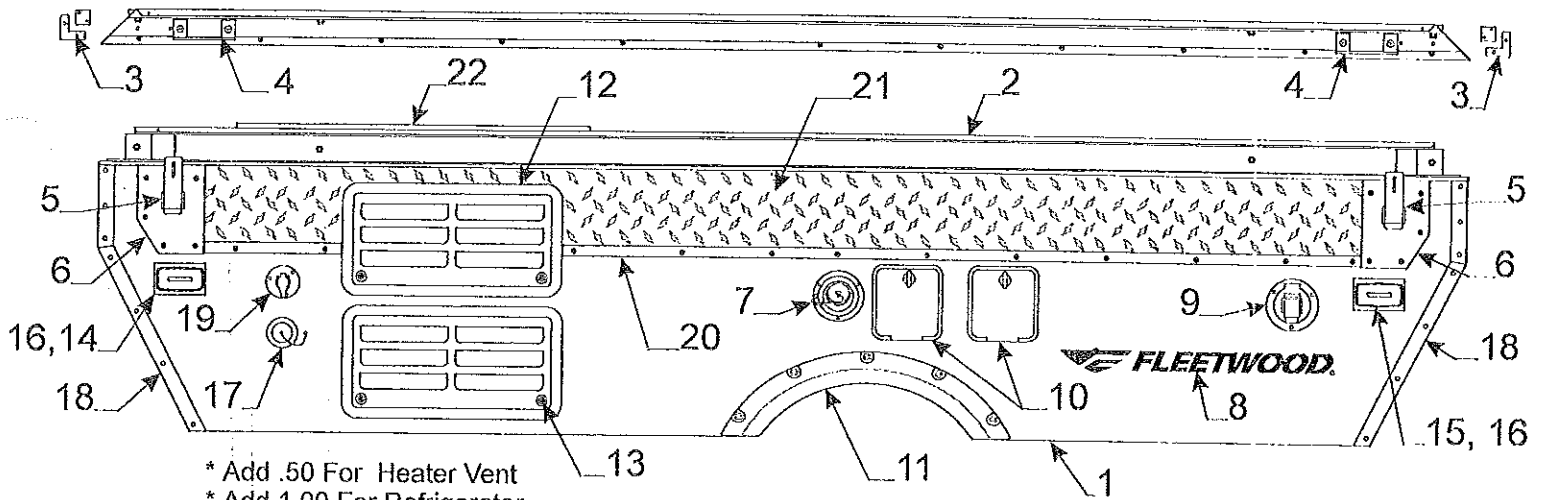
Flat Rate	Step Code	Components Part #	Description
.50	1	4747A9741	single step
.50		4701-5341	double step
	2	4750-3361	step shim x2
	3	1200B3048	bolt x6
		1201B6068	nut x6



**Front & Rear Body Panel Components - Evolution**

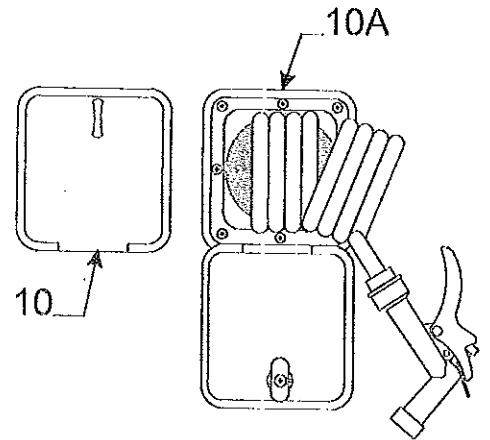
Flat Rate	Code	Part #	Description	Flat Rate	Code	Part #	Description
2.00	1	4701-0571	front body pnl.	.20	7	4701-0601	taillight w/gasket x2
2.50	1A	4701A0591	rear body pnl.			4701-1681	taillight gasket
.75	2	4759B1951	frt./rr end rail			4733G0301	rivet 'black' m25
		1203-8651	rivet x5 m25	.20	8	4701-0981	license plate holder
.15	3	4714J08481	amber marker light			4733G0301	rivet 'black' m25
.10		4716A4571	amber lens (lens only)	.15		4739B4311	tag light
.25		4733H1311	socket & harness	.05		4732-1181	plastic grommet m4
		4747-2558	expansion rivet m25	.05		1121C1618	license plate screw x2
.25		4701-0581	marker light shield	.25	9	4701-5641	spare tire mount
		4701-1728	shield gasket			4772-3601	chrome lug nut m5
.30	4	4701-0961	csr/rsf corner trim			4701-177	1/2" - 20 x 1 3/4 bolt x3
.30		4701-0971	csf/rsr corner trim			4701-176	1/2" - 20 lock nut x3
		4733G0301	rivet 'black' m25	.30	10	4701-0881	bumper
		4758-9921	tek screw "black" m12	.10	11	4733-2741	2" snap bushing
.05	5	4759-8488	lp gas decal	.10		4730H3188	"open" decal
.05		4730K213C8	gas piping decal	.25	12	4716-0671	bed leg pin pkg.
.15	6	4714J08581	red marker light		17	4767-0888	www.com decal
.10		4716A4561	red lens (lens only)				

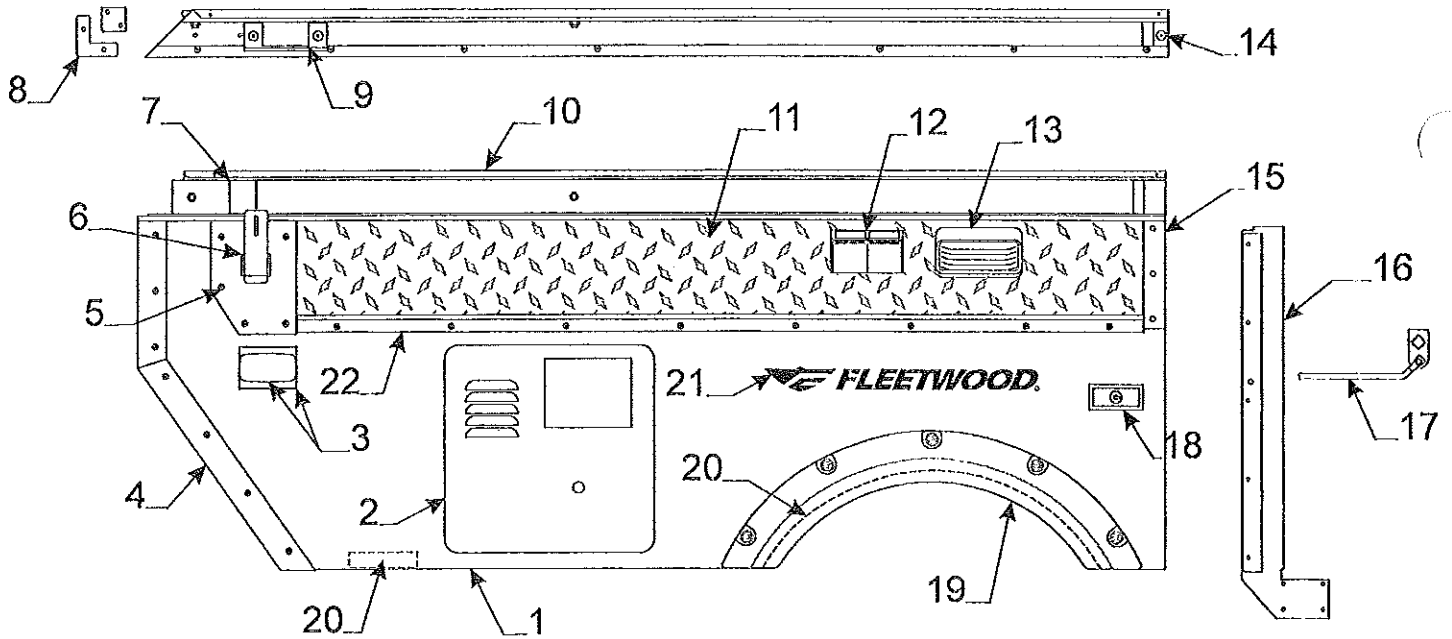




\* Add .50 For Heater Vent  
 \* Add 1.00 For Refrigerator

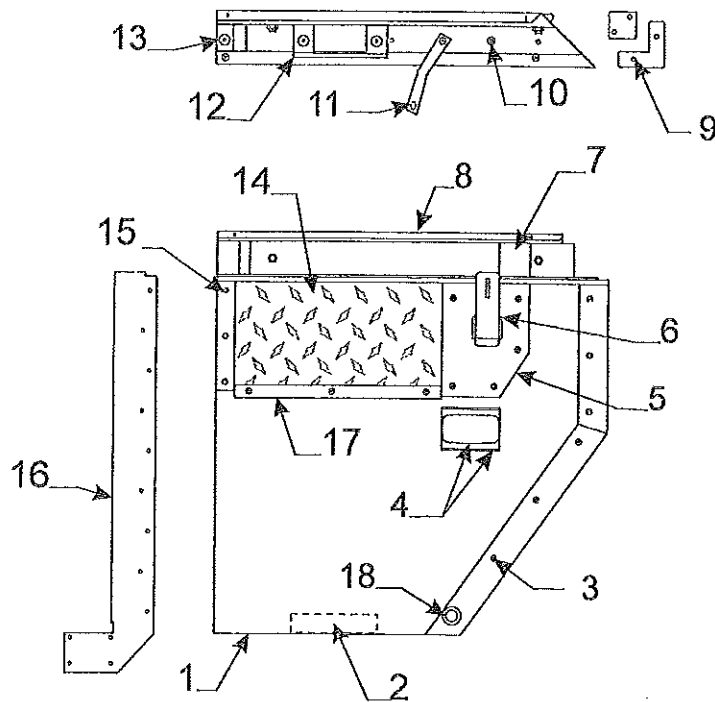
Flat Rate	Code	Part #	Description
*2.75	1	4701-075Y1	left side body pnl. "yellow"
*2.75		4701-075S1	left side body pnl. "silver"
3.00	2	4759-2001	left side body rail
.10		4716-2771	vel-stick body rail pkg.
		4757-0731	wire grommet & nut
.15	3	4716-7061	inner/outer miter cover pkg. m4
.25	4	4734C4121	lift trim, rivets & gasket pkg. m4
.15	5	4701-0951	top latch
		4749-4848	foam pad
.25	6	4701-0701	top latch plate rsf
.25		4701A0791	top latch plate rsr
.30	7	4701A0771	water tank spout
		4741-3508	hex head tek screw x3
.25	8	4701-2628	Fleetwood decal
.15	9	4701-0761	cable hatch
.30	10	4701-2401	faucet & hatch assy.
.30	10A	4701-2411	hose storage container
		4701-2421	coiled hose & nozzle
.25	11	4701A0461	wheel well trim
		4739F2901	chrome snap cap m12
		4060050008P	1/2" x 1" foam tape pkg. (12' pc.)
.50	12	4701-2321	refrigerator vent x2
.50	13	4716-4441	reefer vent clasp m4
.15	14	4714J08481	amber marker light x4
.10		4716A4571	amber lens (lens only)
.25		4733H1311	socket & harness
		4747-2558	expansion rivet m25
.15	15	4714J08581	red marker light
.10		4716A4561	red lens (lens only)
.25	16	4701-0581	marker light shield
		4701-1728	shield gasket
.10	17	4714A2861	drain cap & strap
.30	18	4701-0961	csr/rsf corner trim
.30		4701-0971	csf/rsr corner trim
		4733G0301	rivet "black" m25
		4758-9921	tek screw "black" m12
.30	19	4701-0781	city fill
.25	20	4701-0801	trim
		4733G0301	rivet "black" m25
1.00	21	4701-0681	diamond plate
.25	22	4737B2211	curtain track 35 1/2"
		1203-8671	rivet m25





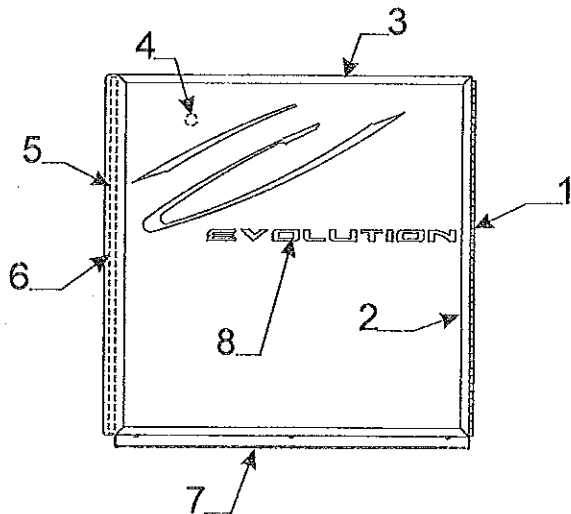
\* Add .50 for water heater

Curbside Right Rear Body Pnl. & Components - 3947 Evolution Flat				
Rate	Code	Part #	Description	
*1.50	1	4701-061Y1	csr body panel "yellow"	
*1.50		4701-061S1	csr body panel "silver"	
.25	2	4701-2391	water heater door	
.15	3	4714J08581	red marker light	
.10		4716A4561	red lens (lens only)	
.25		4701-0581	marker light shield	
.30	4	4701-0961	csr/rsf corner trim	
		4733G0301	rivet "black" m25	
		4758-9921	tek screw "black" m12	
.25	5	4701A0701	top latch plate	
		4733G0301	rivet "black" m25	
.15	6	4701-0951	top latch	
		4741A9101	hex head tek screw m10	
.10	7	4716-2771	vel-stick body rail pkg.	
.15	8	4716-7061	miter cover pkg. m4	
.25	9	4734C4121	lift trim pkg. m4	
		4733-3398	nylon flange bushing x2	
1.00	10	4701-0621	csr body rail	
.75	11	4701-0671	csr diamond plate	
.25	12	4701-1091	duplex outlet & cover	
.35		4746-3871	duplex box	
.25	13	4701-0631	porch light & gasket	
.10		4716-5511	porch light lens "amber"	
	14	1203-8831	rivet m25	
.15	15	4701A0691	doorway trim	
1.25	16	4701A5191	door bulkhead csr	
1.00	17	4754-1691	latch, strike & lever	
1.00	18	4730C3111	lock handle (with key)	
.25	19	4701A0461	wheel well trim	
		4739F2791	chrome snap cap m12	
	20	4060050008P	foam tape pkg. (12' pc.)	
.25	21	4701-2628	Fleetwood decal	
.30	22	4701-0711	stove support rail	



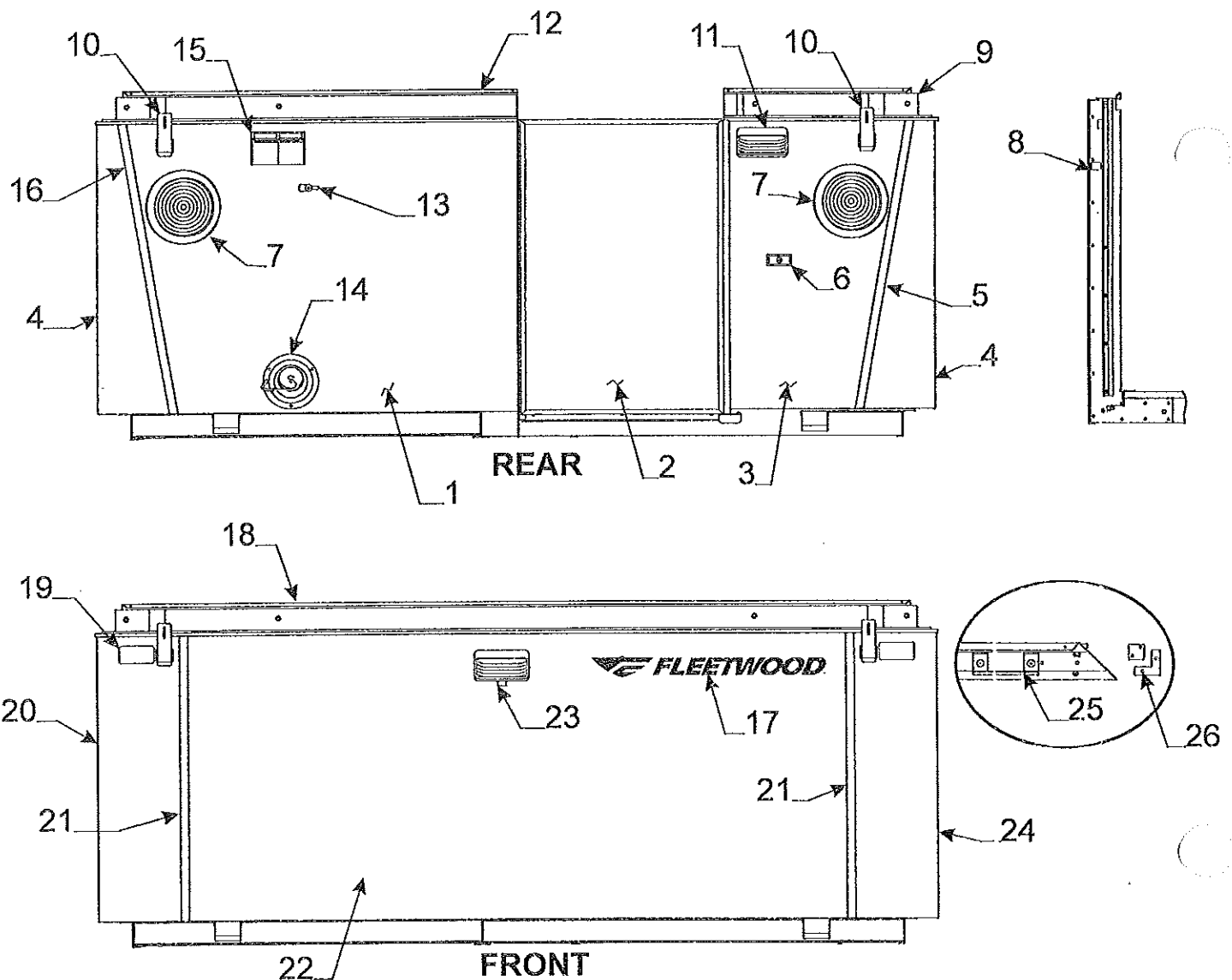
**CS Front Body Pnl. & Components - 3947 Evolution**

Flat	Rate	Code	Part #	Description	Flat	Rate	Code	Part #	Description
Flat									
	1.00	1	4701-084Y1	csf body panel yellow	1.00	8	4701-0861	csf body rail	
	1.00		4701-084S1	csf body panel silver	.15	9	4716-7061	miter cover pkg. m4	
		2	4060050008P	foam tape pkg.(12' pc.)		10	4730A3541	stud & screw	
	.30	3	4701-0971	csf/frsr corner trim	.10	11	4701-5251	door strap	
			4733G0301	rivet "black" m25			4758-8001	rivet m25	
			4758-9921	tek screw "black" m12	.25	12	4734C4121	lift trim pkg. m4	
	.15	4	4714J08481	amber marker light			4733-3398	nylon flange bushing x2	
	.10		4716A4571	amber lens (lens only)		13	1203-8831	rivet m25	
	.25		4701-0581	marker light shield	.60	14	4701-0661	diamond plate	
			4701-1728	shield gasket	.15	15	4701A0691	doorway trim	
	.25	5	4701A0791	top latch plate	1.25	16	4701A5201	door bulkhead csf	
			4733G0301	rivet "black" m25	.15	17	4701A0831	trim	
	.15	6	4701-0951	top latch			4733G0301	rivet "black" m25	
			4741A9101	hex head tek screw m10	.10	18	4765B1321	rubber door stop	
	.10	7	4716-2771	vel-stick body rail pkg.					

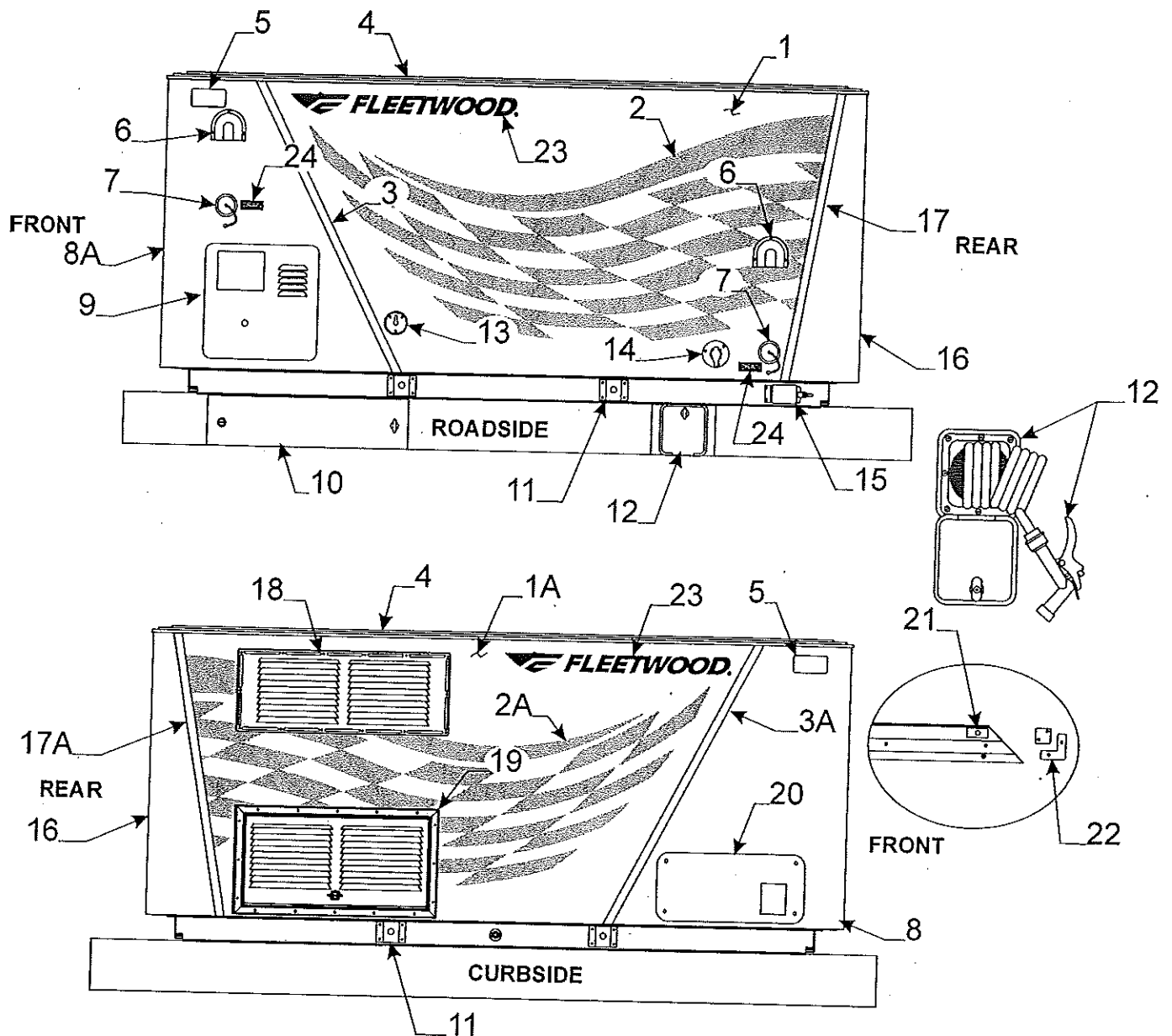


**4701-527Y1 Access Door Assy. "Yellow" - 3947**  
**4701-527S1 Access Door Assy. "Silver" - 3947**

Flat	Rate	Code	Part #	Description
.25		1	4701-0851	door hinge
.35		2	4701-0901	door frame
.25		3	4701-0891	door cap
		4	4730A3548	stud & screw
.20		5	4060000023P	d-seal pkg. (5' pc.)
.25		6	4701-0911	door frame
			4716-081	screw x2
.25		7	4701-0921	bottom trim
			4745-3968	screw x2
.25		8	4701B1758	Evolution decal

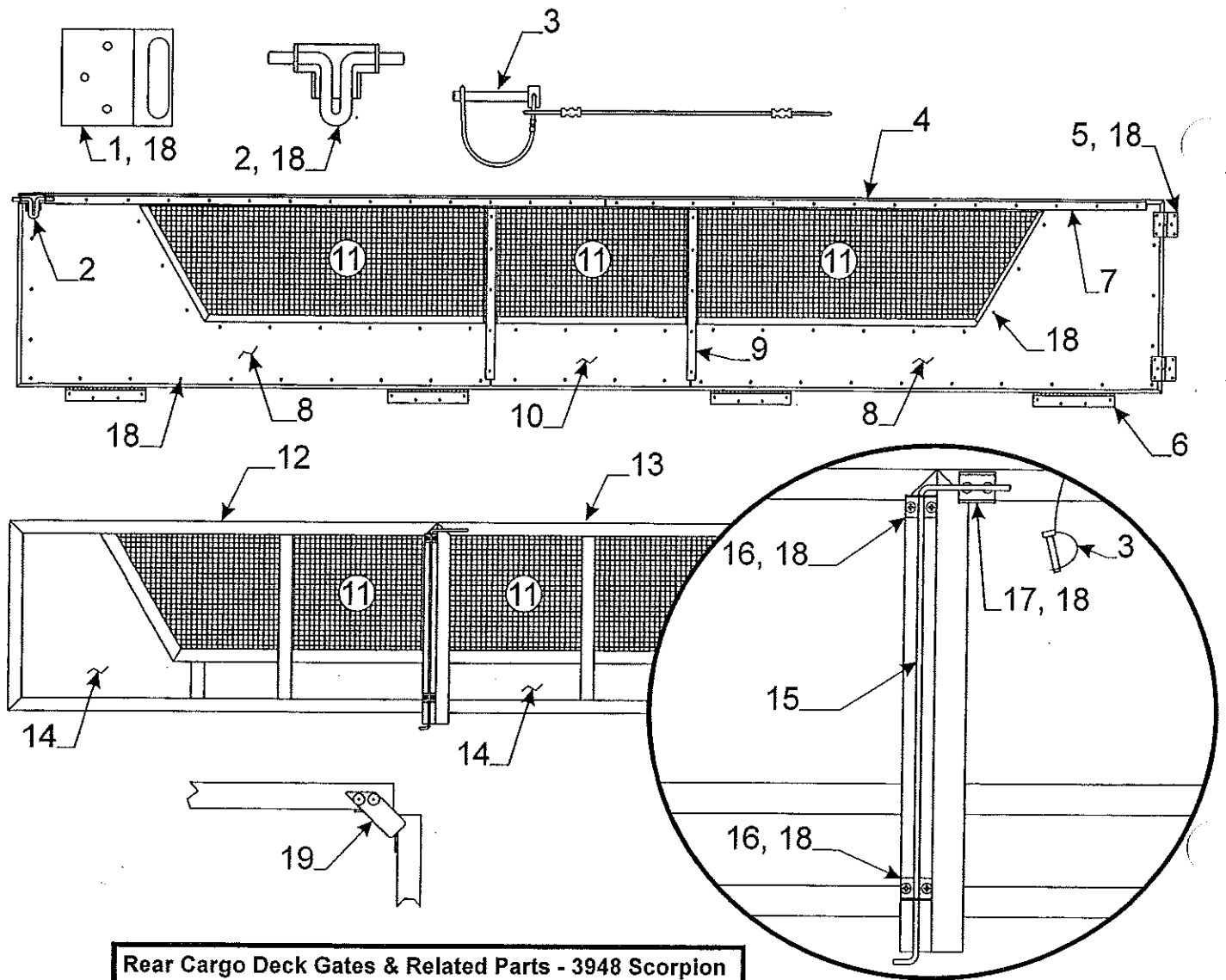


Front & Rear Body Panel Components 3948 Scorpion				Flat	Code	Part #	Description
Rate	Code	Part #	Description	Rate	Code	Part #	Description
1.00	1	4800A0091	left rear body panel	.15	13	4738-3941	turn button "plastic"
.50	2	4800-5701	access door assy.	.30	14	4731D1711	water tank spout
1.00	3	4800A0131	right rear body panel			4741-3508	hex head tek screw x3
.50	4	4800A0631	rear corner pnl. "yellow"	.25	15	4746A3861	outside receptacle
.20	5	4800-0641	alum. body trim "black"	.20	16	4800-064	alum. trim "black"
1.00	6	4730C3111	lock handle (w/key)	.25	17	4701-2628	Fleetwood logo 18"
1.00		4772-6411	latch, strike & lever	1.00	18	4800-007	body rail "front"
.20	7	4800-0111	security light			4716-2771	vel-stick body rail pkg.
1.25	8	4772-5131	door bulkhead "right"	.15	19	4714J08481	amber marker light
		4772-0301	bulkhead stop angle	.10		4716A4571	amber lens (lens only)
1.25		4772-5141	door bulkhead "left"	.25		4733H1311	socket & harness
1.00	9	4800A025	body rail "rt. rear"	.50	20	4800B0611	csf corner pnl. "yellow"
		4716-2771	vel-stick body rail pkg.	.20	21	4800-067	alum. trim "black"
.15	10	4741C6041	top latch	1.00	22	4800-0061	frt. body panel
		4767-1701	tek screw m12	.25	23	4765A1341	hitch light
.25	11	4752-9921	porch light	.10		4716A1341	clear lens
.10		4716-5511	porch light lens "amber"	.50	24	4800B0661	rsf corner pnl. "yellow"
1.00	12	4800A010	body rail "lt. rear"	.25	25	4734C4121	lift trim pkg. m4
		4716-2771	vel-stick body rail pkg.	.25	26	4733-3398	nylon flange bushing x2
				.15		4716-7061	miter cover pkg. m4



CS/RS Body Panel & Components - Scorpion				Flat			
Rate	Code	Part #	Description	Rate	Code	Part #	Description
1.50	1	4800-0311	rs left body pane	.25	10	4800A137	compartment box
2.50	1A	4800-0281	cs right body panel	.30	11	4716-0671	bed leg pin & brkt.
.50	2	*4800-0291	roadside flag decal	.15	12	4701-2401	outside faucet & hatch
.50	2A	*4800-1151	curbside flag decal	.25		4701-2421	coiled hose & nozzle
.20	3	4800-065	rsf trim "black"	.35	13	4757A4871	coax cable outlet
.20	3A	4800-071	csf trim "black"	.20	14	4732F1521	city fill
1.00	4	4754-8681	body rail		15	4752-5831	gas outlet cover/hinge
.15	5	4714J08481	amber marker light	.50		4738-3941	turn button
.10		4716A4571	amber lens (lens only)	.20	16	4800A0631	rear corner pnl. "yellow"
.25		4733H1311	socket & harness	.20	17	4800-062	rsr trim "black"
.15	6	4757-9261	vent cover "plastic"	.50	17A	4800-064	csr trim "black"
.10	7	4714A2861	drain cap & strap	.50	18	4747D8321	refrigerator vent "upper"
1.00	8	4800B0611	csf body trim "yellow"	.20	19	4747D8331	refrig. vent hinged "lower"
1.00	8A	4800B0661	rsr body trim "yellow"		20	4765-1201	furnace door
.25	9	4701-2391	water heater door	.15	21	4754A8491	nylon bed slide/screw
.25	10	4800A5711	power cord hatch door	.25	22	4716-7061	miter cover pkg. m4
		4800A1361	thumb turn		23	4701-2628	Fleetwood logo 18"
		4751D8301	lock		24	4744C2668	drain decal "black"

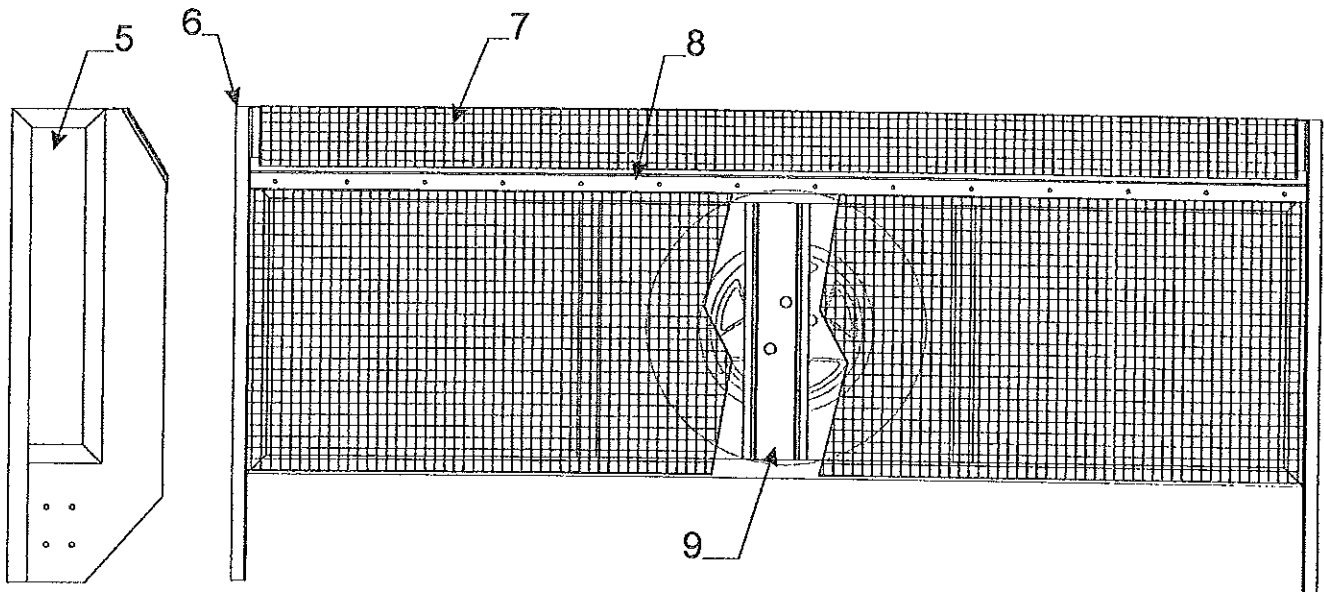
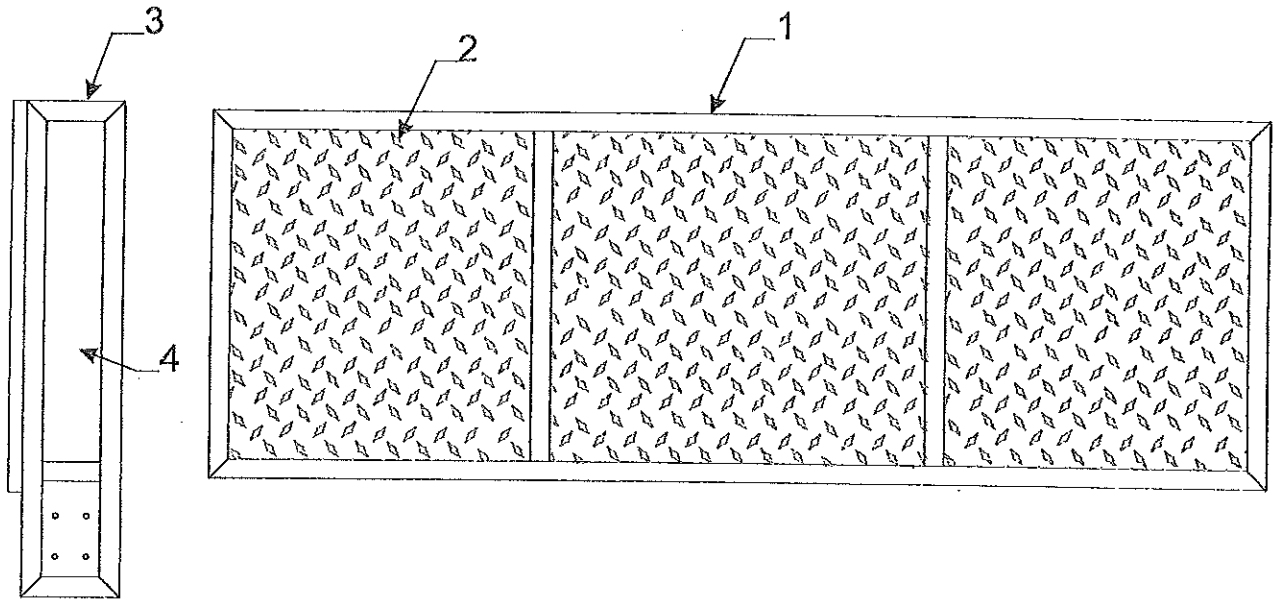
**\*Revised 9/1/05**



**Rear Cargo Deck Gates & Related Parts - 3948 Scorpion Flat**

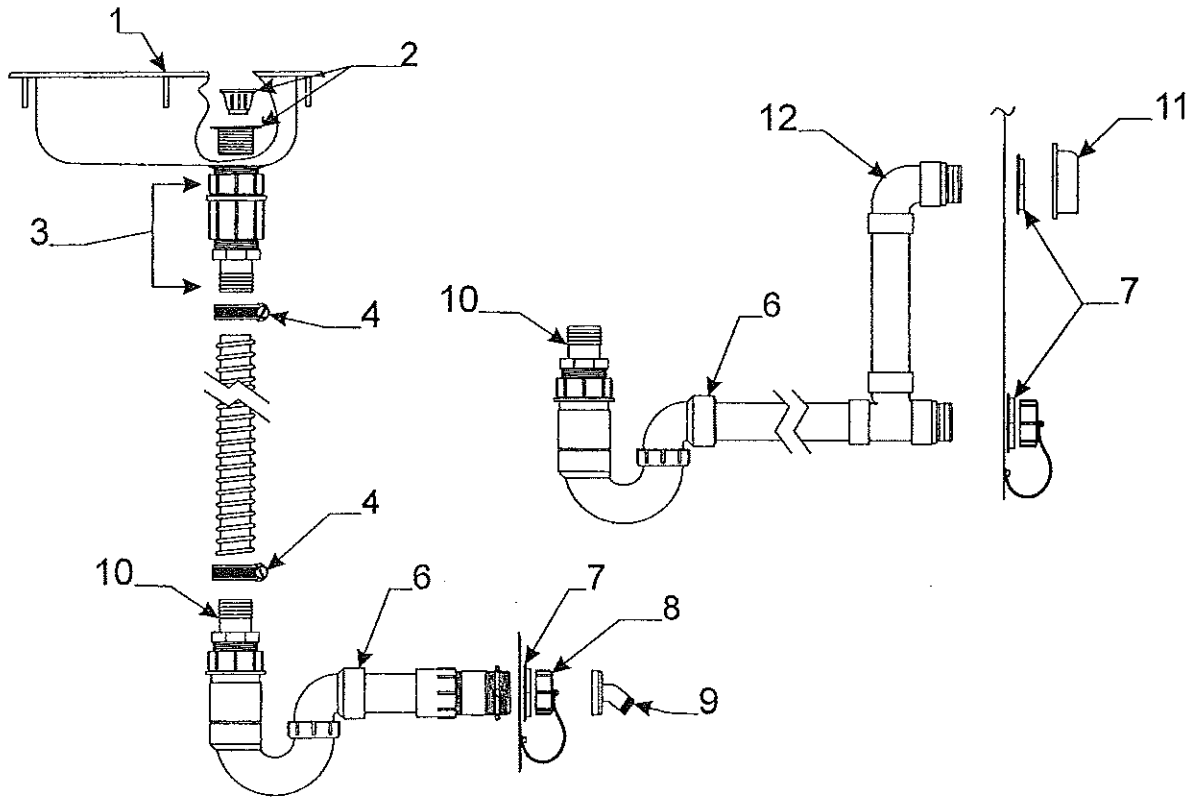
Rate	Code	Part #	Description
.15	1	4800-1991	latch bracket
.15	2	4800-1981	gate latch
.10	3	4765-6101	snapper pin & cable
.75	4	4800-5181	cs/rs gate assy.
.15	5	4800-1971	lift-off hinge x2
.50	6	4800-193	hinge x4 (welded to gate)
.20	7	4800-195	horizontal trim "black"
.50	8	4800A024	side panel "yellow" (frt./rear)
.10	9	4800-196	vertical trim "black"
.25	10	4800-068	side panel "yellow" (center)
.50	11	4800A094	side grating "frt./rear"
.50		4800-095	side grating "center"
.50		4800A096	rear grating "rt./lt."
.25	12	4800-5191	left rear gate assy.
.25	13	4800-5651	right rear gate assy.
.50	14	4800A069	rear panel cs/rs "yellow"
.20	15	4800A1901	gate lock arm
.10	16	4800-1891	lock arm keeper x2
.10	17	4800A1911	lock arm bracket
	18	4758-9921	tek screw "black" m12
	19	4800-2461	gate hold down brkt.
		4758-8001	rivet m25



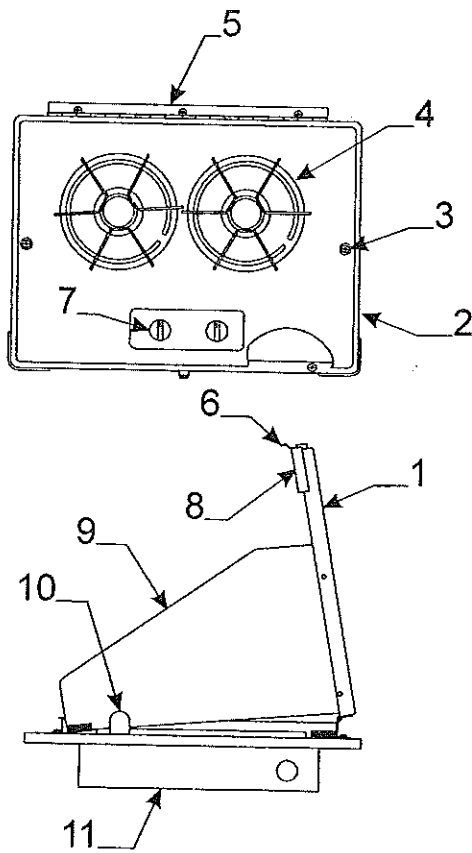


\* Prior Authorization Needed from Factory

Front Gear Deck Components - 3948 Scorpion			
Flat Rate	Code	Part #	Description
*	1	4800-573	rear brush guard assy.
*	2	4800-174	diamond plate 82 1/2" x 28"
*	3	4800-581	cs rear plate assy.
*		4800-558	rs rear plate assy.
.25	4	4800-180	rear yellow plate cs/rs
.25	5	4800-166	front yellow plate cs/rs
*	6	4800-555	front brush guard assy.
.50	7	4800A172	front grating
	8	4800-158	trim angle
.50	9	4800-558	spare tire mount brkt.
		4765A5441	spare tire mount bolt pkg.

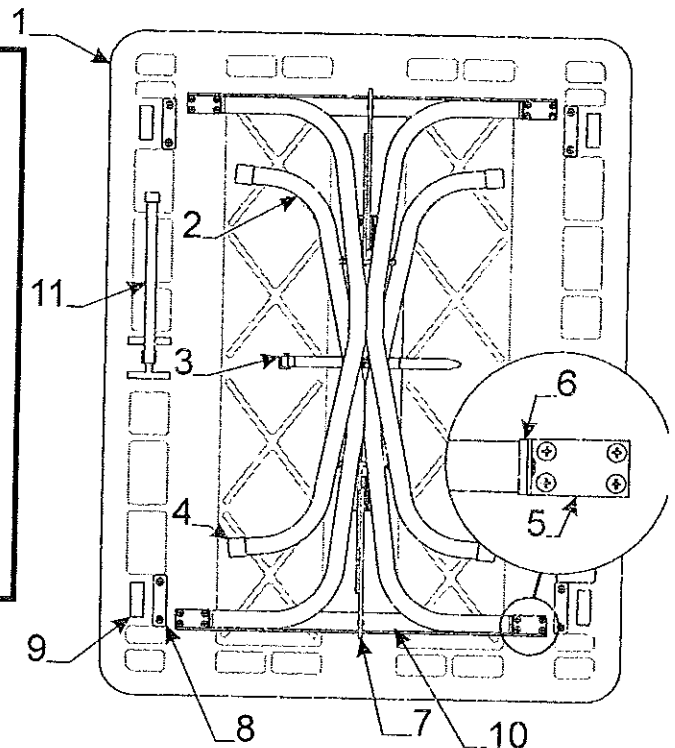


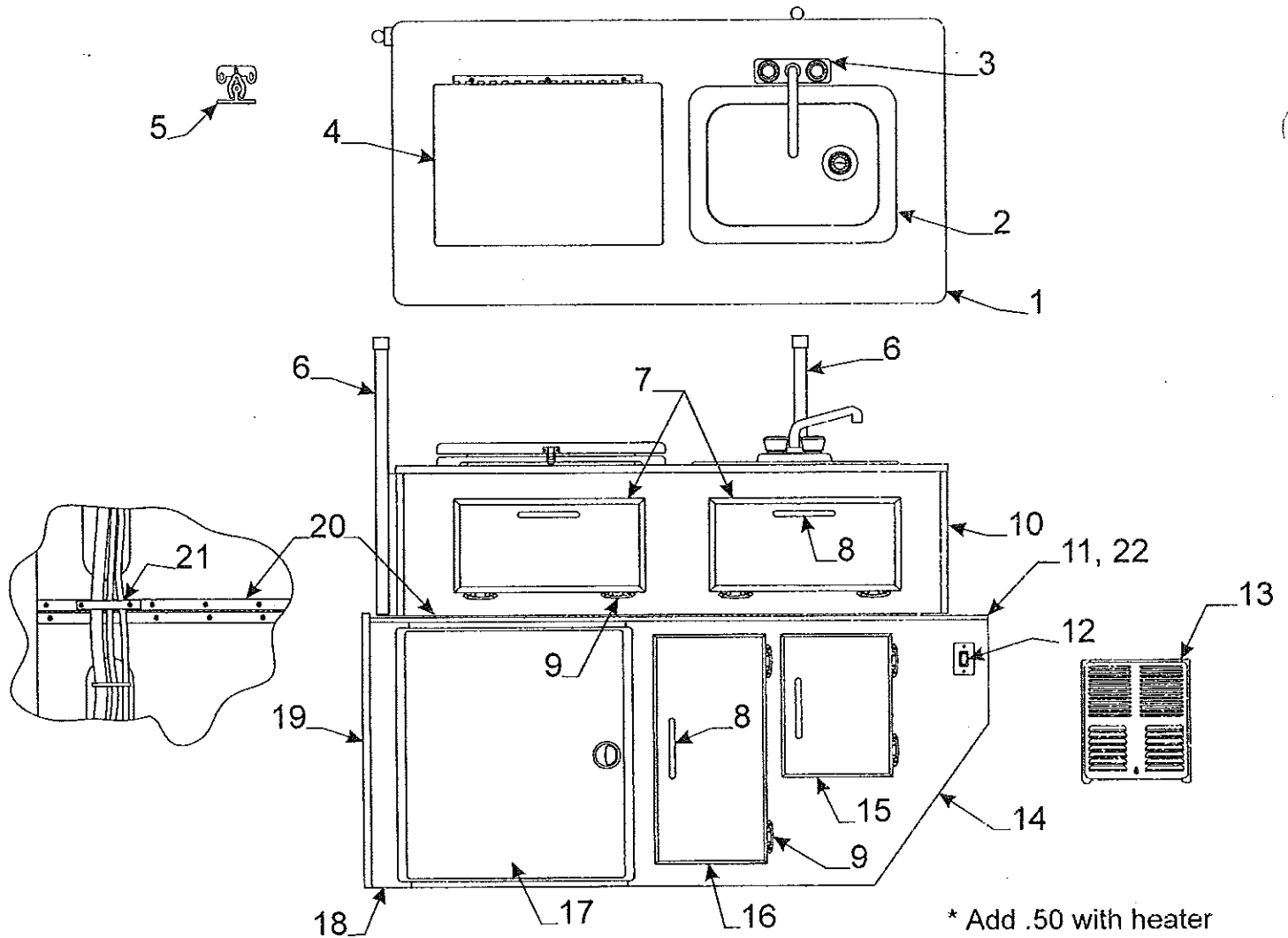
Flat Rate	Sink & Component parts	Code	Part #	Description
.30	1	4710F0301	sink "stainless"	
.05	2	4714C0661	crumb cup "only" (wht. threaded)	
.25		4730E3151	crumb cup & basket	
.40	3	4713-0061	straight adapter pkg.	
	<b>Note: pkg. includes barb, washer, nut and adapter</b>			
		4757-9131	1 1/4" rubber washer	
	4	4715-4501	1 1/4" hose clamp	
.80	5	4060012503P	1 1/4" drain hose pkg. (10' pc.)	
	<b>Note: must cut hose to length</b>			
.75	6	4769-6941	drain trap assy. 3947 Evolution	
.75		4800-5461	drain trap assy. 3948 Scorpion	
	7	4757-0921	1 1/2" metal nut "white"	
.10	8	4714A2861	cap & strap	
	9	4737-9138	drain adapter	
.40	10	4757A0871	adaptor 1 1/4" barb	
.20	11	4757-9261	vent cover "plastic"	
1.00	12	4741B9301	vent assy. 3948 Scorpion	



Flat Rate	Stove Component Code	Part #	Description
.15	1	4701-1191	stove cover assy. 2 burner
		4800-0591	stove cover assy. 3 burner
.15	2	4701-1201	2 burner cook top
.15		4763-1461	3 burner cook top
.05	3	4716-2631	stove top screw/washer m2
.05	4	4752A9881	stove grate
.10	5	4716A2671	stove cover hinge
.15	6	4733-4018	stove cover latch
.15		4733-4028	stove cover strike
.05	7	4716A1861	knob
	8	4732A2291	edge molding m2
.25	9	4716A2661	stove fin "right"
.25		4716A2651	stove fin "left"
.15	10	4716A2641	stove fin stay brkt. m2
.75	11	4748D2581	2 burner stove box
.75		4763-1451	3 burner stove box

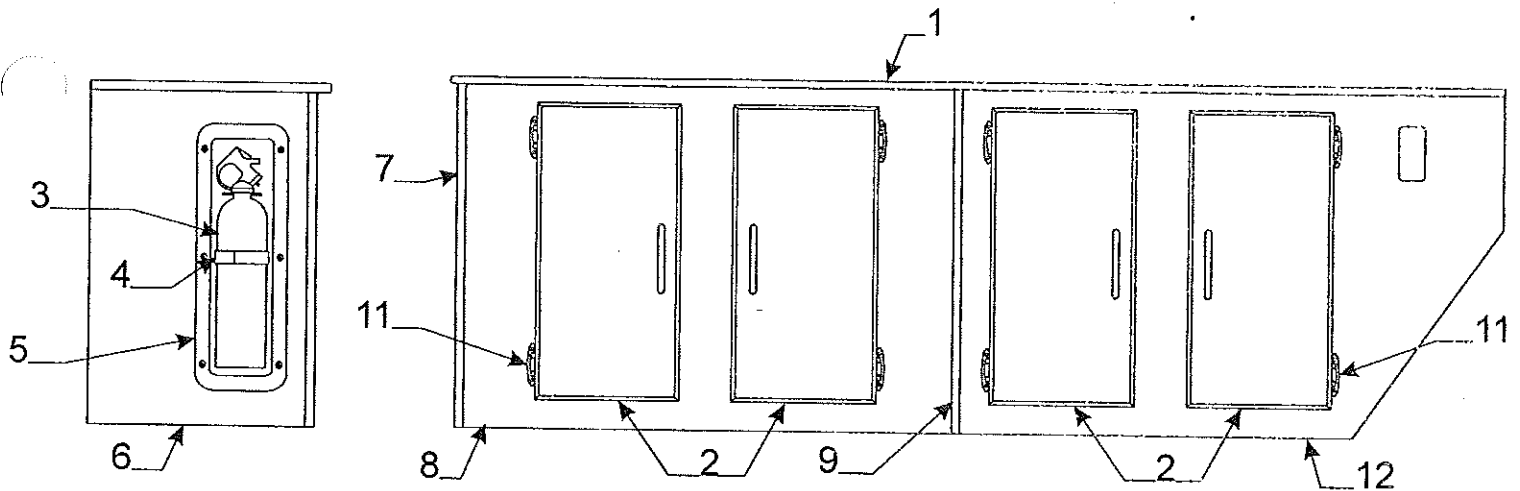
Flat Rate	Dinette Table Assembly Code	Part #	Description
.50	1	4701-2021	table top "gray plastic"
.50	2	4701-1491	table leg package "yellow"
<b>Note: pkg. includes 2 legs &amp; required mounting hardware</b>			
.10	3	4751A9711	strap & screw pkg.
	4	4752-0551	white plastic cap m2
.15	5	4720F1211	table leg mounting brace m2
		1103E1018	5/8" wood screw
.15	6	4752A0561	table leg insert cap m2
		4747-2558	expansion rivet m2
.25	7	4744-6971	lock brace assy. x2
		1103E1018	5/8" wood screw
.15	8	4756-8741	table top plastic spacer m4
		1103B08148	7/8" screw (x2 per spacer)
.05	9	4724D2631	velcro fastener m4
	10	4759-9601	table brace brkt. x2
.50	11	4772A3701	support leg





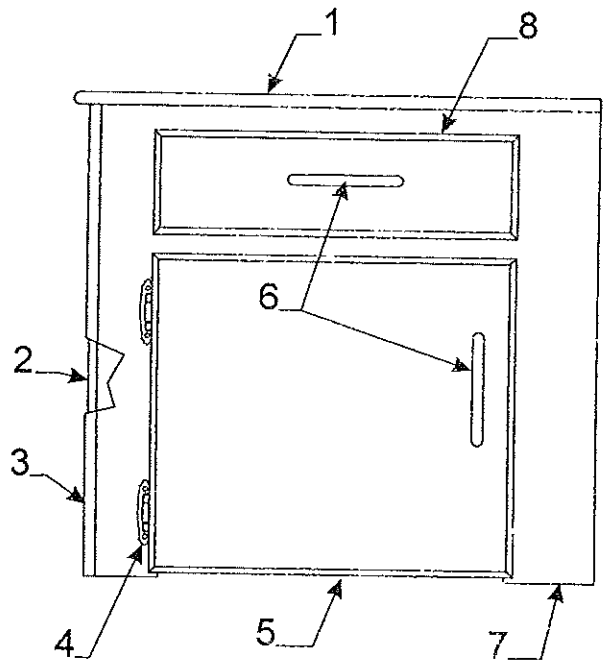
**Upper & Lower Galley Assy. Components - 3947 Evolution**

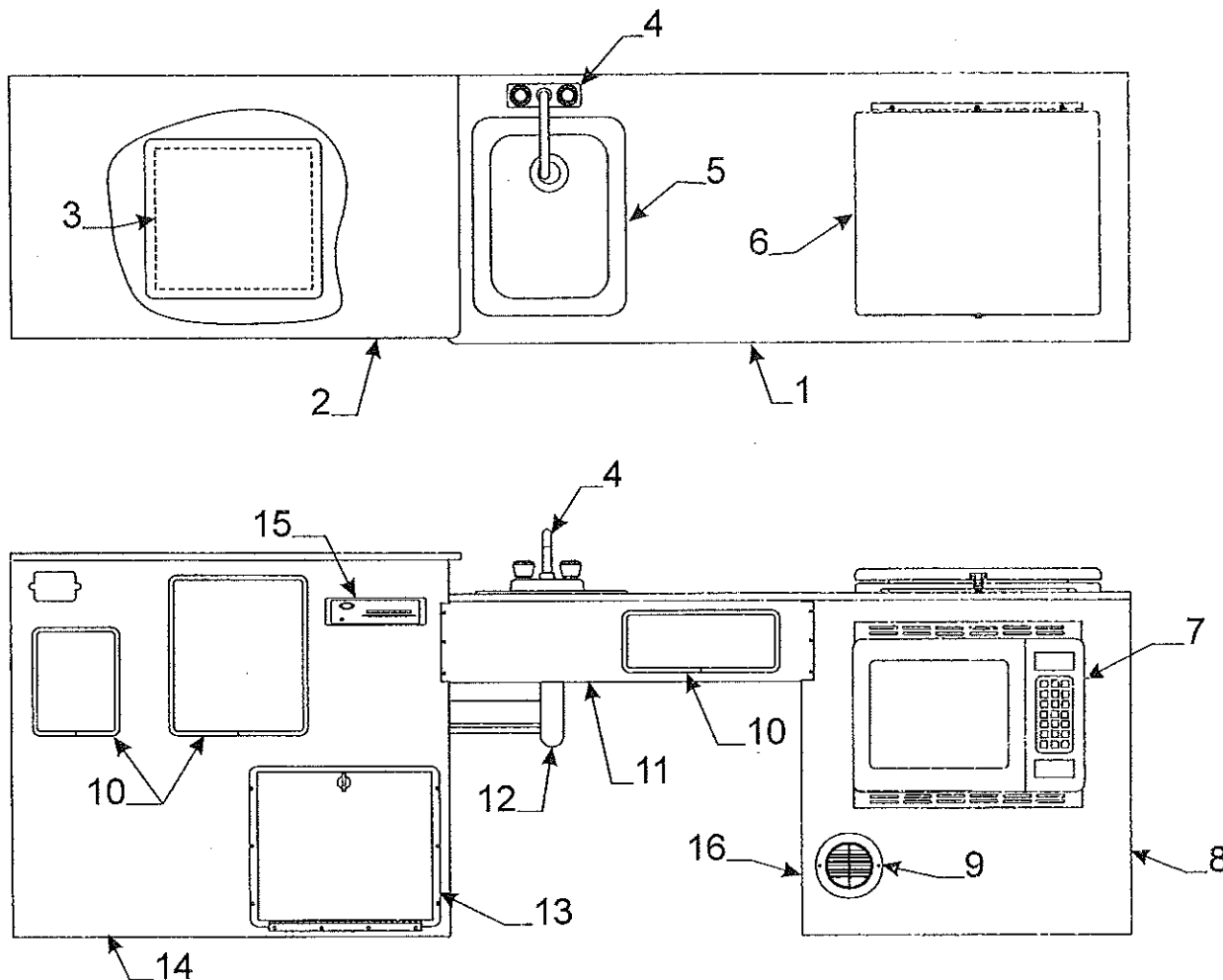
Flat Rate	Code	Part #	Description	Flat Rate	Code	Part #	Description
1.00	1	4701A1111	upper galley top	.65	10	4064737503P	3/8" f-channel 48" pc.
.30	2	4710F0301	sink	1.25	11	4701-1421	lower galley top
		<b>Note: refer to page 16 for sink components</b>		.20		4701-1461	kill switch m4
1.00	3	4767-4471	mixer faucet	.20	12	4733C4981	rocker switch (elec. pump)
		4758-8508	dual facet use decal	.10	13	4743A3551	furnace grill "black"
	4	<b>Note: refer to page 17 for stove components</b>		1.50	14	*4701-1431	lower galley frt. (rt.)
.15	5	4744A9261	knuckle latch m4	.15	15	4701-1481	door panel 12" x 9 1/8"
		4738-3088	screw x2	.15		4733-6391	latch & strike pkg.
.25	6	4701-1131	galley rest pole	.15	16	4701-1351	door panel 19 1/4" x 9 1/4"
		4752-0551	plastic cap m2	.25	17	4754A0481	built-in cooler
.15	7	4701-1171	door panel - 15 3/4" x 7 3/4"	.75	18	4701-1411	lower galley frt. (lt.)
.15		4733-6391	latch & strike pkg.	.75	19	4701-1441	seat gazoodi
.10	8	4701-1181	door pull (includes screw)	.30		4064700091P	t-molding (8' pkg.)
.10	9	4739C0511	hinge	.50	20	4757-2621	hinge
		4749C4591	screw #6 x 3/8" m12		21	4716-9691	hose strap pkg.
					22	4064795603	3/8" u-channel "black"



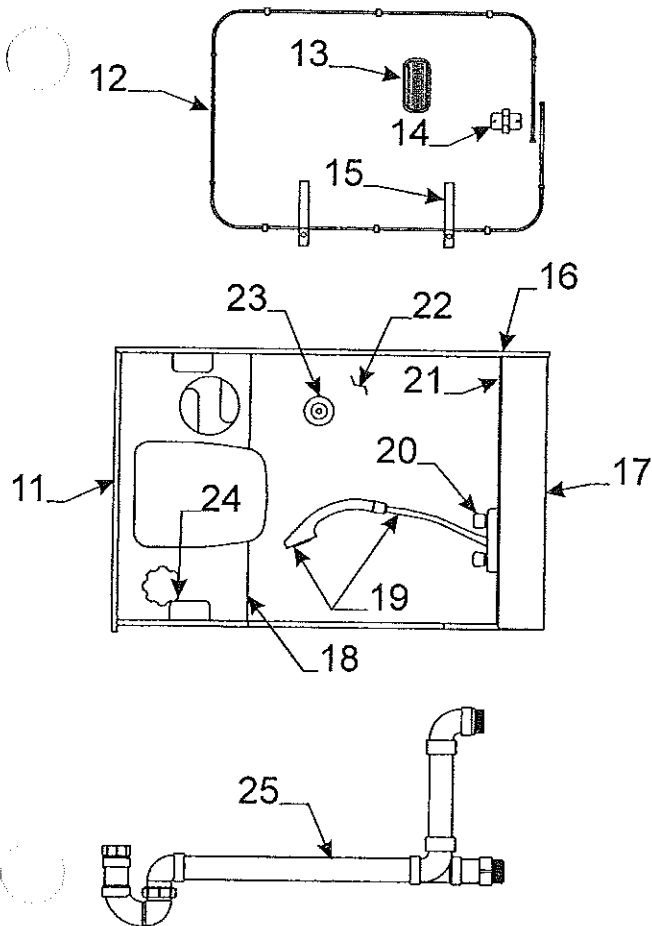
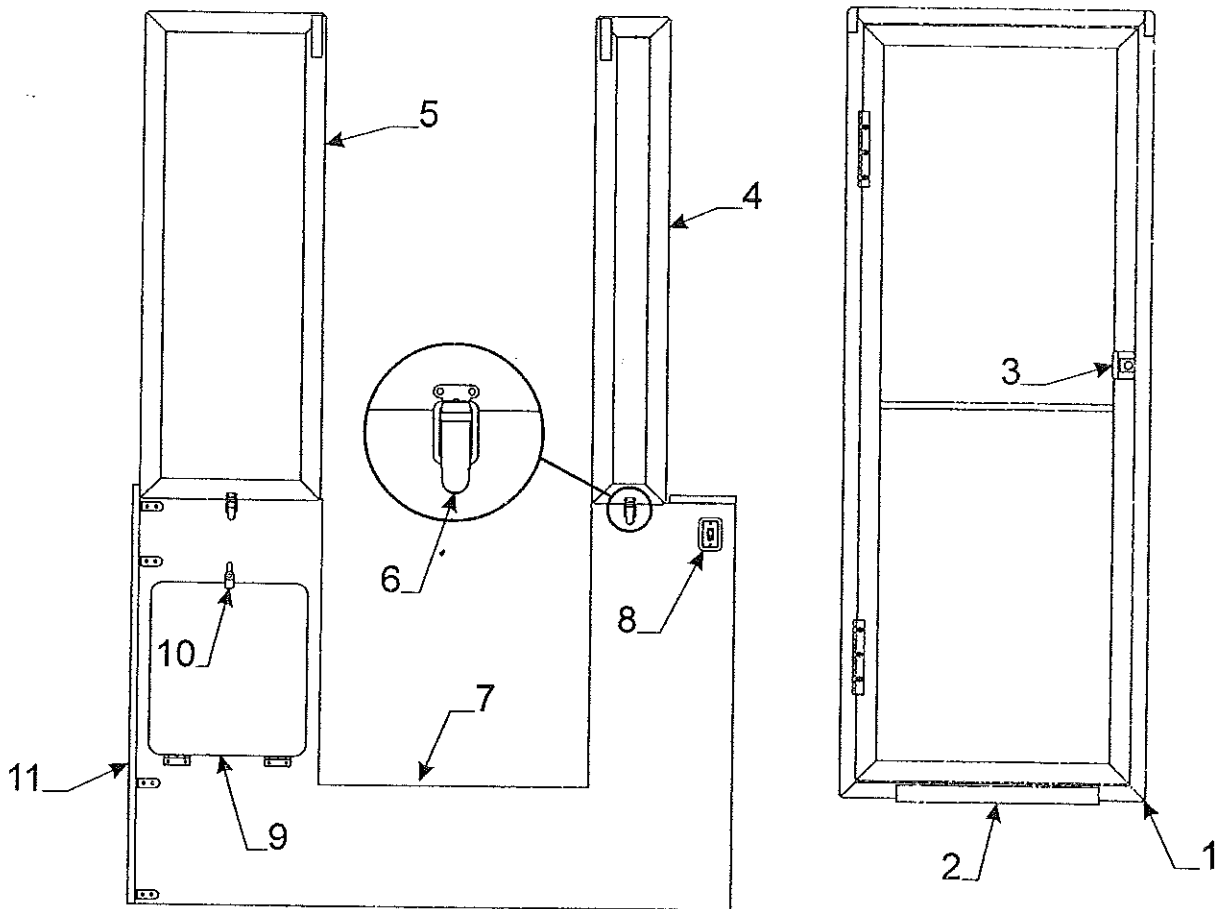
Curbside Hutch Assy. - 3947 Evolution							
Flat Rate	Code	Part #	Description	Flat Rate	Code	Part #	Description
.75	1	4701A1291	hutch top	.65	7	4064737503P	3/8" f-channel 48" pc.
.15	2	4701-1351	door pnl. 19 1/4" x 9 1/4"	.50	8	4701-131	hutch front "lt."
.10	3	4737A5558	fire extinguisher	.50	9	4701-127	hutch mid panel
.05	4	4716-1191	fire extinguisher strap m2	.10	10	4701-1181	door pull (includes screws)
.15	5	4701-1321	recessed mount	.10	11	4739C0511	hinge
		4701-1331	screw m12			4749C4591	screw #6 x 3/8" m12
.55	6	4701-130	hutch side	1.00	12	4701-129	hutch front "rt."

Corner Cabinet Assy. - 3947 Evolution, 3948 Scorpion			
Flat Rate	Code	Part #	Description
.25	1	4701A1211	csf cabinet top 3947
.25		4800-0991	cabinet top (doorway rt.) 3948
.30	2	4701-122	cabinet side 3947
.30		4800-073	cabinet frt/side 3948
.35	3	4064737503P	3/8" f-channel 48" pc.
.10	4	4739C0511	hinge
		4749C4591	screw #6 x 3/8" m12
.15	5	4701-1251	door pnl. 15 3/4" x 15 1/4"
.15		4733-6391	latch & strike pkg.
.10	6	4701-1181	door pull (includes screw)
.50	7	4701-123	cabinet front 3947
.10	8	4701-5281	drawer assy. 3947



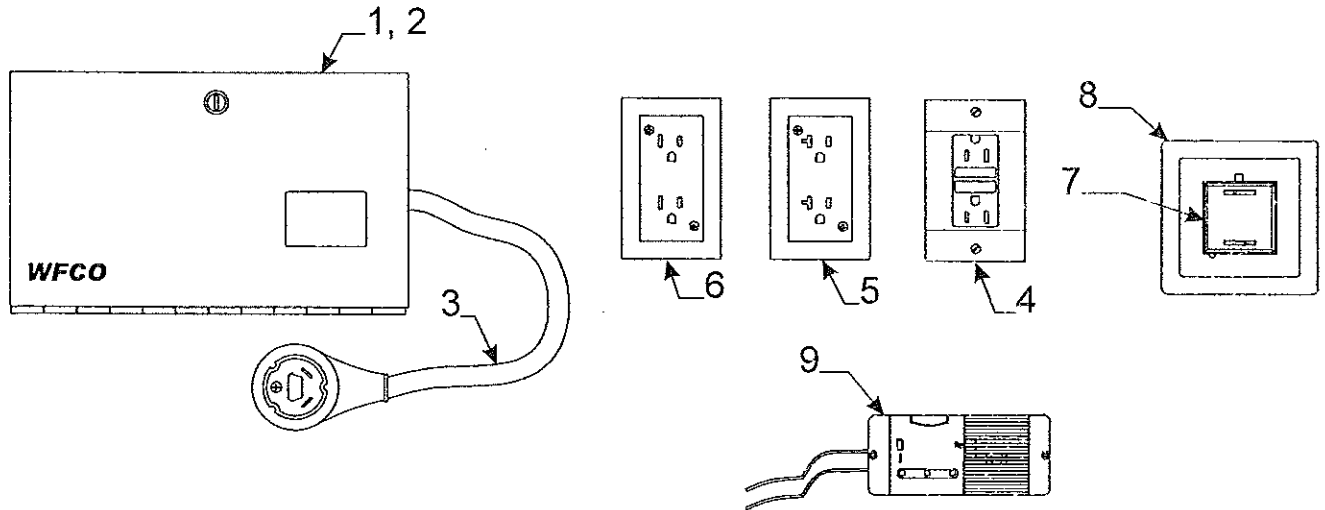


Galley Components - 3948 Scorpion				
Flat Rate	Code	Part #	Description	
1.00	1	4800-1001	sink/stove top	
1.00	2	4800-0981	cabinet top	
.30	3	4800-0541	water heater access cover	
1.00	4	4745E2741	mixer faucet	
	5	4710F0301	stainless steel sink	
	6	Note: refer to page 16 for sink components		
	7	Note: refer to page 17 for stove components		
.20	7	4773-0601	microwave "Dometic"	
		4773-0681	microwave trim kit	
1.50	8	4800-057	galley front "metal"	
.15	9	4800-0601	round heater vent "black"	
	10	4066500053P	edge molding "black" (8' pc. pkg.)	
1.00	11	4800-056	cooler area front	
.40	12	4800-5461	galley drain assy.	
.15	13	4800A0511	converter cover door	
		4767-3601	chrome thumb turn	
1.50	14	4800-047	converter cab. front	
.50	15	4765C1121	radio/cd player	
	16	4800A224	return air vent "black"	



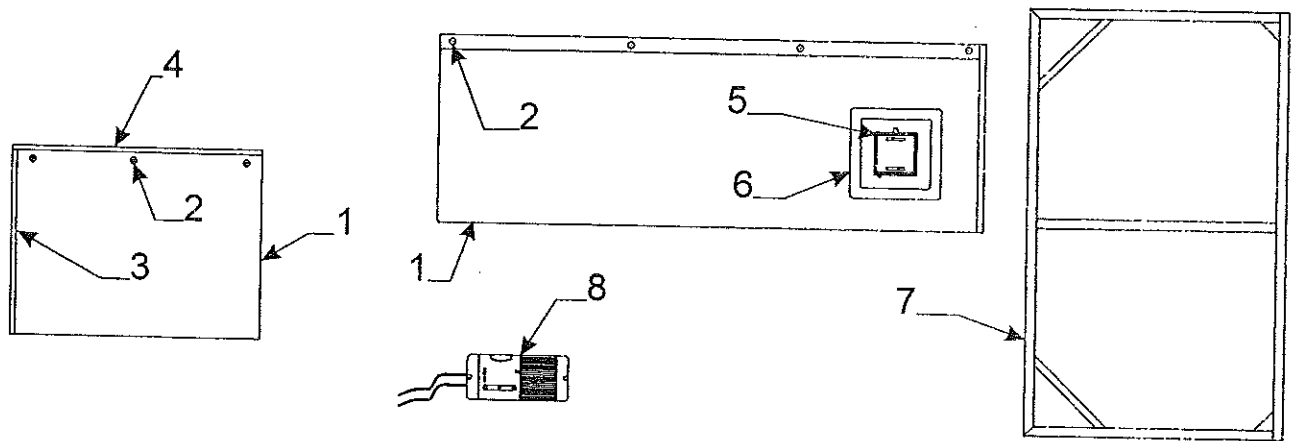
Flat Rate	Code	Part #	Description
.10	1	4800-5451	shower door
		4772-9101	vinyl end protector x2
.15	2	4772-4311	shower door stay brkt.
.15	3	4772-2901	latch assy.
.25	4	4800-5371	rt. shower wall assy.
.25	5	4800-5341	lt. shower wall assy.
.15	6	4772-4261	latch & strike
2.00	7	4800-1011	shower wall threshold
.30	8	4733C4981	rocker switch
.15	9	4800-5411	potty door
.05	10	4738-3941	turn latch
1.50	11	4800-1031	shower lt. side wall
.10	12	4772A3871	shower curtain i-beam
.10		4739-1201	i-beam mounting brkt. m12
1.00		4753A9871	rivet m25
.15	13	4759-1721	light
.20	14	4767-0111	shower head brkt.
.15	15	4772-6631	curtain strap
1.50	16	4800A104	shower back wall
.25	17	4800-540	plumbing cover
.75	18	4756-2251	cassette potty
.15	19	4767-0101	shower head
.20		4741B2051	shower hose 72"
.10		4716-0848	shower hose connector
.50	20	4741B2071	shower diverter
1.50	21	4800A102	shower rt. side wall
1.00	22	4800-2251	shower pan
.50	23	4746A1821	basket & strainer
.15	24	4772-4561	wall rest block x2
1.00	25	4800-5381	tub drain assy.

**WORLD FRIENDSHIP CO., LTD**  
 Warranty: 800-900-2468



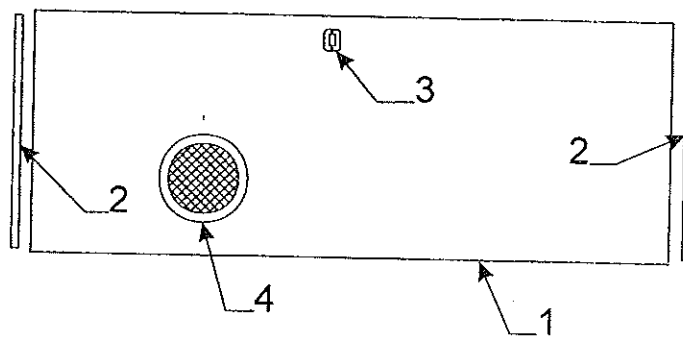
Flat Rate	Converter & Related Parts		Description
	Code	Part #	
1.00	1	4753D8201	converter 25 amp - 3947 Evolution
1.00		4772-2441	converter 35 amp - 3948 Scorpion
.30		4757-3401	15/20 amp double breaker
.30		4757-3411	15/15 amp double breaker
.30		4765-9841	15 amp single breaker
.30		4757-8601	30 amp main breaker
.15	2	4716B1301	25 amp door (metal)
		4716C1301	25 amp door & frame (plastic)
.60	3	4772-1601	power cord 32 ft.
.35	4	4746B3841	GFI receptacle "white"
.35		4701-1061	GFI receptacle "black"
.20	5	4752-2371	20 amp receptacle "white"
.20		4701-1071	20 amp receptacle "black"
.20	6	4752-2361	15 amp receptacle "white"
.20		4701-1081	15 amp receptacle "black"
		4746A3851	receptacle box
	7	4752A8461	thermostat
.20	8	4701-2341	plastic base & bracket
.25	9	4753C9171	lp gas detector "brown"
.25		4753A9171	lp gas detector "white"





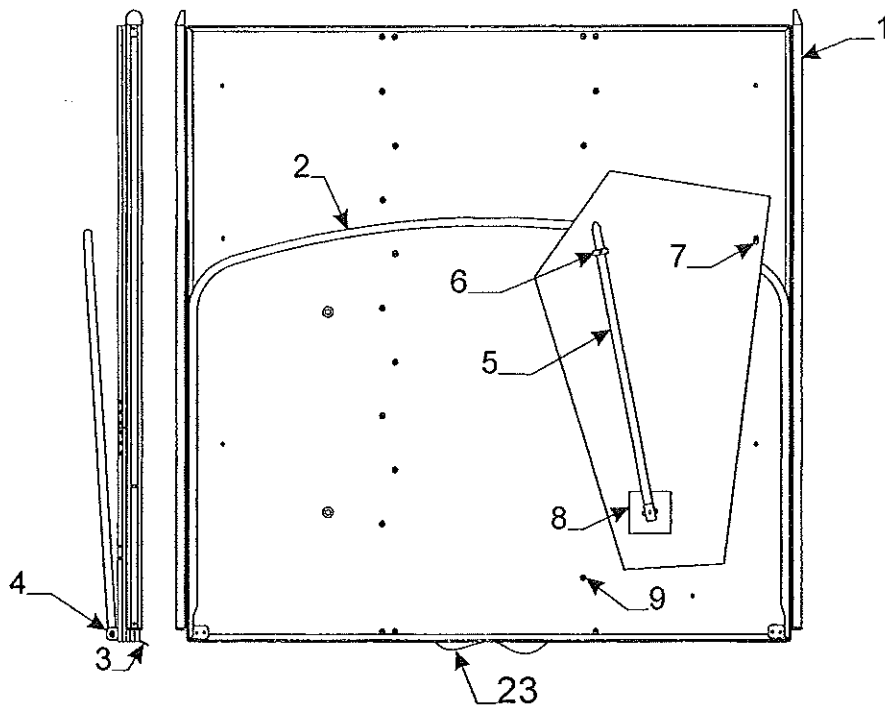
\* Warranted Through Vendor

Dinette Area Seat Bench Component Parts - 3947				
Flat Rate	Code	Part #	Description	
.30	1	6010415698P	universal wall panel 48" x 23 13/16"	
	2	4734J1861	rivet m25	
		1202B0268	washer	
.65	3	4060115606P	5/32" f-channel 48" pc.	
.50	4	4060015605P	5/32" u-channel 48" pc.	
*	5	4752A8461	thermostat	
.20	6	4701-2341	plastic base & bracket	
	7	4701-514	bench frame x2	
.25	8	4753C9171	lp gas detector "brown"	
.25		4753A9171	lp gas detector "white"	



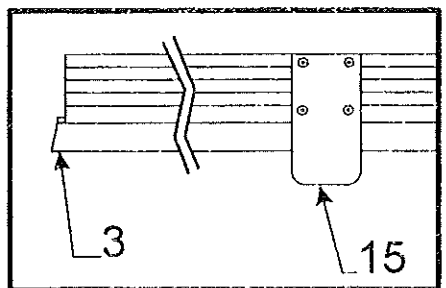
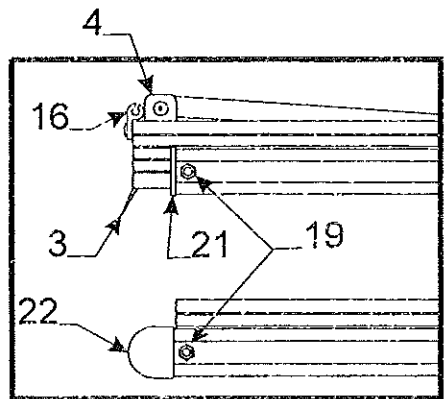
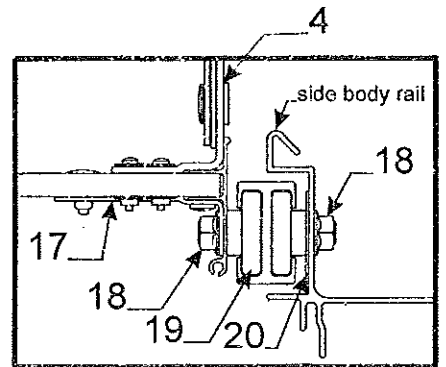
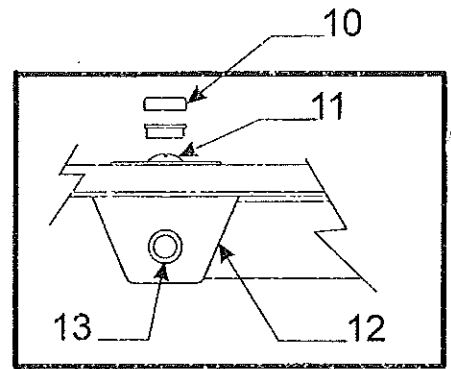
\* Prior Authorization Needed

Paneling & Trim (Must Cut To Size)				
Flat Rate	Code	Part #	Description	
*	1	6010415698P	wall panel 48" x 48"	
*	2	4064700378P	corner divider m2 48" pc.	
	3	4800-0451	kill switch & plate 3948	
.15	4	4800-3911	speaker 3948 Scorpion	

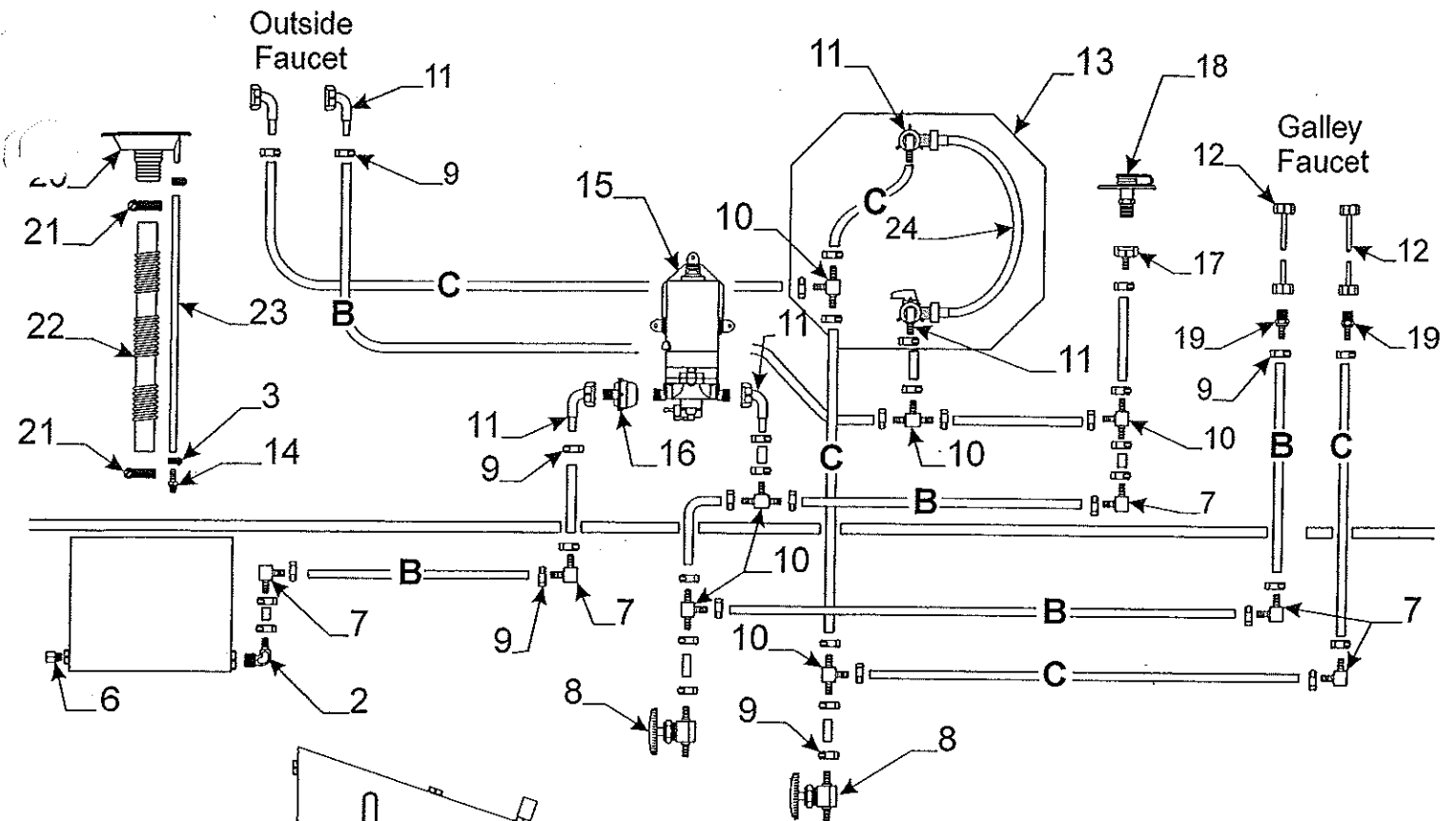


Evolution - 4701-5391 Front Bed Assy. "Complete" (Double) F.R. - .75  
 Evolution - 4769-5481 Rear Bed Assy. "Complete" (Queen) F.R. .75  
 Scorpion - 4800-5271 Curbside Bed Assy. "Complete" (Double) F.R. - .75  
 Scorpion - 4800-5261 Roadside Bed Assy. "Complete" (Double) F.R. .75

\*\* .50 first extension  
 \*\* .25 second extension



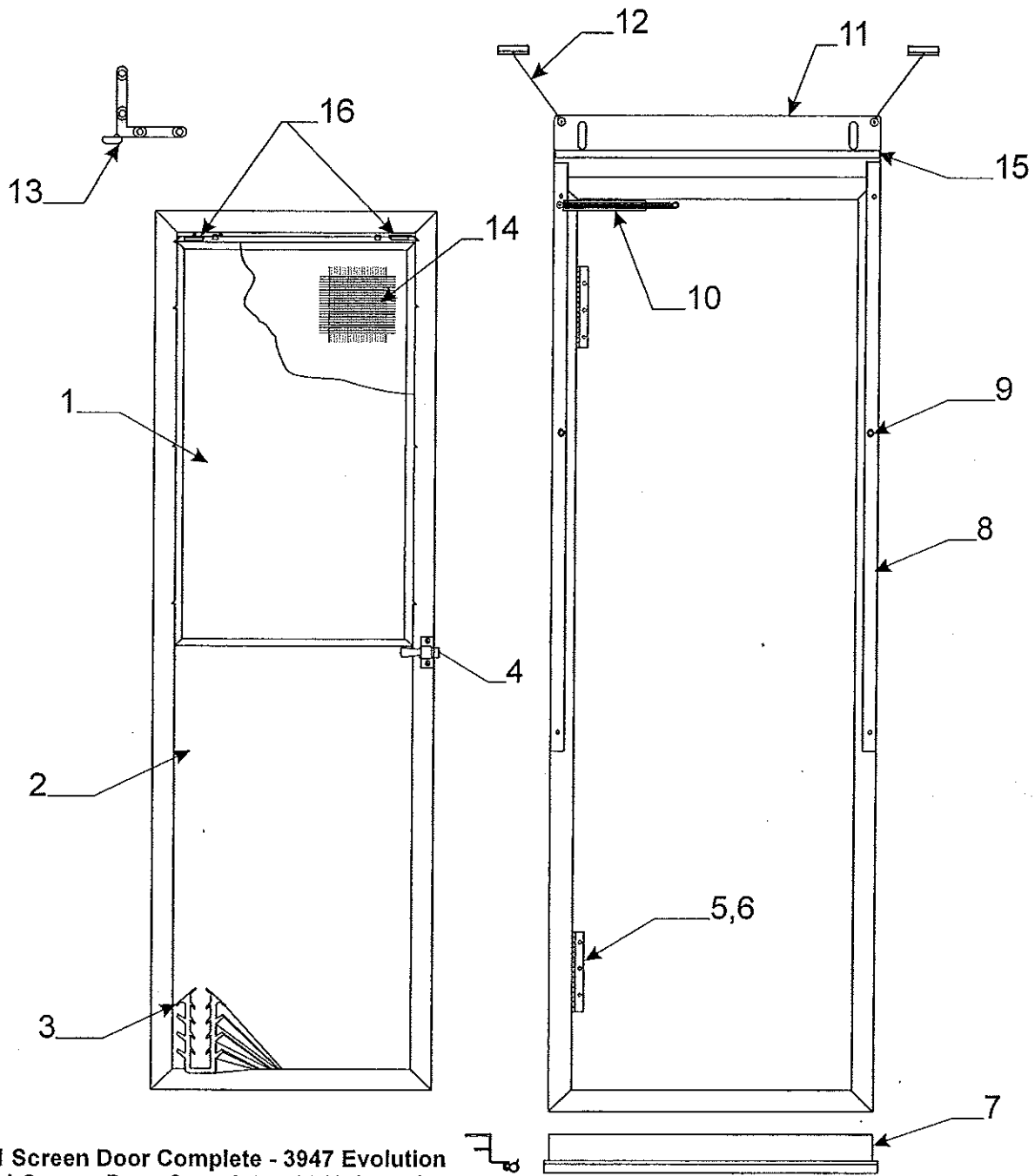
Flat Rate	Front/Rear Bed Assy. Components	Code	Part #	Description
**		1	4716U4031	bed extension (x2 per bed) <b>Note: must cut bed extension to size where applicable</b>
.25		2	4714C1901	tent bow/leg package - 3947 Evolution
.25			4714D1901	tent bow/leg package - 3948 Scorpion
.25		3	4060300339P	vinyl bed seal "brown" (8' pc. pkg.)
.25		3	4060400339P	vinyl bed seal "gray" (8' pc. pkg.)
.15		4	4720K5631	bed bow bracket M2
.05			4757-9241	1 1/2" nylon fender washer m4
.20		5	4701-1591	bed leg assy. m2 (x2 front beds) Evolution
.20			4753-3811	bed leg assy. (x2 rear beds) Evolution
.20			4800-0441	bed leg assy. (x2 cs/rs beds) Scorpion
.15		6	4720C0771	bed leg clip m4
			1203-8831	rivet m25 (rivet clip to bed)
.15		7	4720D4021	lashing hook m6
			1203-8741	rivet m25 (rivet hook to bed)
.20		8	4737A4178	support plate
		9	1203C8721	rivet m25
		10	4739E2908	screw cap m10
			4739-2918	screw cap washer m10
		11	4716-074	screw
			1202B2528	washer
.20		12	4734A5141	bed leg bracket
		13	4720A2361	rod & pal nut
.20		14	1034B16128	flat head screw
			1201B6378	lock nut
		15	4800-0451	kill switch shutoff plate
.50		16	4758-8301	bed end retain track & rivets
.20		17	4755A2591	bed brkt. w/mounting hardware x4
		18	4739-2298	lock nut
.50		19	4754-8101	bed roller, nut, bolt, & washer pkg.
		20	1202B2908	washer
.15		21	4754-8631	bed slide end cap
.15		22	4754-4821	bed slide wedge
.20		23	4758-9481	pull-out handle strap & rivets
			4750-8801	rivet "black" m25



B 4060050006P 3/8" I.D. Pex tubing "cold" (20' pc. pkg.)  
 C 4060050007P 3/8" I.D. Pex tubing "hot" (20' pc. pkg.)  
 4714-038 3/8" I.D. High pressure hose (sold/foot)

Flat Rate	Code	Part #	Description
1.50	1	4757A0471	water tank 3947 Evolution
1.50		4800-0741	water tank 3948 Scorpion
.25	2	4741C2371	elbow "plastic"
	3	4731-3058	adjustable hose clamp 3/8"
	4	4755-4821	brass barbed union m10
.20	5	4758-5381	tank hanger x2 3947 Evolution
.20	5A	4800-112	tank hanger brkt. x2 3948 Scorpion
.20		4800-113	tank hanger brkt x4 3948 Scorpion
.15	6	1218-7001	plug
.25	7	4741C2391	brass elbow "Pex" m2
.20	8	4741E2361	brass line drain "Pex"
.25	9	4741A2751	stainless steel clamp m100
25	10	4741C2381	brass tee "Pex" m10
.20	11	4741B9061	copper swivel elbow
.50	12	4757-3671	48" pex riser
*	13	4750-3421	water heater
.15	14	4732B4561	hose adapter
.50	15	4741D5571	electric water pump
.25	16	4747A8311	water filter
.20	17	4741A9561	female adapter "copper"
.30	18	4701-0781	city fill
.20	19	4757-3631	brass adapter 3/8" barb
.30	20	4701-0771	fill spout
	21	4715-4501	adjustable hose clamp
.35	22	4731H1081	water fill hose (3' pc.)
.20	23	4060050003F	1/2" h.p. hose (sold/ft.)
	24	4765-9971	water heater bypass kit

\* Warranted By Vendor



4701-5401 Screen Door Complete - 3947 Evolution  
 4772A5031 Screen Door Complete - 3948 Scorpion  
 .30 Flat Rate Screen Door Complete

Note: parts marked w/\* asterisk are not included w/screen door

Flat Rate	Code	Part #	Description	Flat Rate	Code	Part #	Description
.10	1	** 4713-0141	top sliding window pane	.05	9	4730A3548	stud w/screw x2
.40	2	4701A1601	stationary window pane	.20	10	4731A8201	spring package
.15	3	4060000086F	rubber seal (sold/foot)	.30	11	4758B0571	top bracket 3947
		Note: around perimeter of window pane		.30		4773-0611	top bracket 3948
.15	4	*4772-2901	door latch assembly	.30		4773-063	top brkt. hinge 3948
.15	5	4720C3601	hinge x2	.15	12	4734D5211	cabl. assy. m6
	6	1203-8641	rivet m25	.50	13	4710-3791	corner brace hinge m2
.25	7	*4747B5621	screen door support	.14	14	4716-1381	screened stationary pane
		*4060000399F	rubber seal (sold/foot)	.75		4716-1111	screening 36" x 18 1/2"
.20	8	4754-3811	vel-stick (pkg. of 2)	.10	15	4060000023P	d-seal "white" (5' pkg.)
				.50	16	4716-3811	window lock pkg. rt./lt.

**\*\*Revised 9/1/05**

**Dinette Area Cushion/Backrest Assemblies & Covers - 3947 Evolution**

Flat Rate .10 Assembly - .25 Cover

<u>Cushion Assembly</u> 4701-5441	<u>Cushion Cover</u> 4713-5441
<u>Backrest Assembly</u> 4701-5431	<u>Backrest Cover</u> 4713-5431
Plastic Cushion Button x2 - 4710-2681 m5	

**Dinette Cushion/Backrest Dimensions**

<u>Cushion Assembly</u> 41" x 17" x 4"	<u>Backrest Assembly</u> 40" x 15 1/2" x 3"
---	--

**Drape Package - Evolution & Scorpion**

Note: Package includes privacy curtains

<u>Drape Pkg.</u>	<u># Of Panels</u>	<u>Flat Rate</u>
4701-5461	8	.30

Drape Tab C-Shape m60 - 4750-2891 Flat Rate - .05

**Privacy Curtain Pkgs. (Set of 2 Panels)**

.15 4713-5461

**Single Drape Panel w/Safety Straps**

.15 4713-0011 Single Drape Panel 52" x 44"  
.15 4713-0021 Single Drape Panel 35" x 44"

**Drape Tie Package (Qty. 1) - 4701-5471 Flat Rate - .05**

**Shower Curtain/Valance - Scorpion**

.15 4800-5741 - shower curtain - green  
.15 4800A5741 - shower curtain - white  
.15 4800-5281 - shower valance - gray  
.15 4800-2671 - shower valance - green

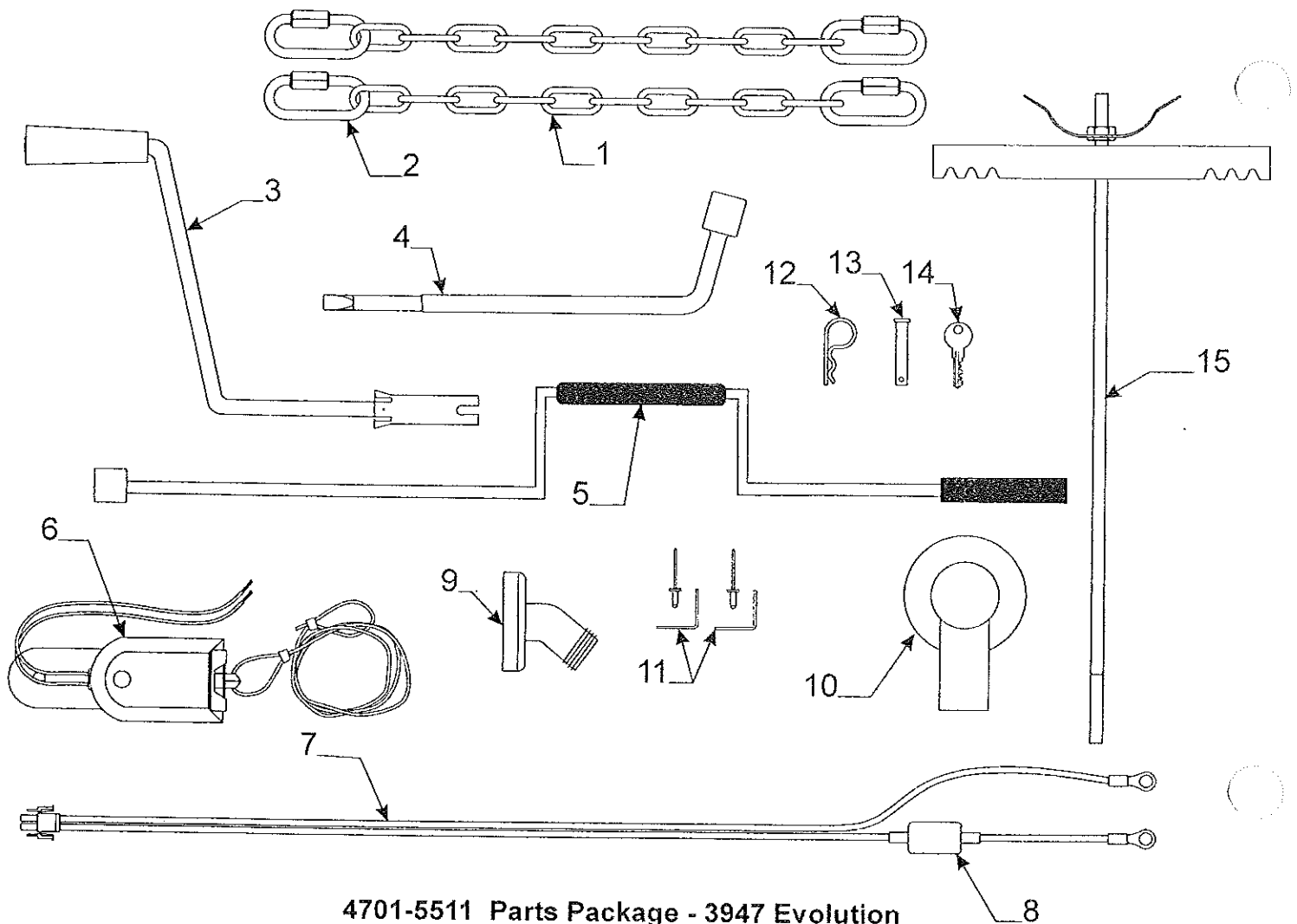
**Flat Rate .50 per cover**

**Mattress Assemblies & Covers**

	<u>Matt. assy. front</u>	<u>Matt. Cover front</u>
3947 Evolution	4701-1641	4714-1641
	<u>Matt. assy. rear</u>	<u>Matt. Cover rear</u>
3947 Evolution	4701-1631	4714-1631
	<u>Matt. assy. rs/cs</u>	<u>Matt. Cover rs/cs</u>
3948 Scorpion	4800-2341	4713-2341

**Mattress Assembly Dimensions**

3947 Evolution	<u>Frnt. Matt. Assy.</u> 77" x 48" x 3 1/2"	<u>Rear Matt. Assy.</u> 77" x 70" x 3 1/2"
3948 Scorpion	<u>Frnt. Matt. Assy.</u> 77" x 47" x 3 1/2"	<u>Rear Matt. Assy.</u> 77" x 47" x 3 1/2"

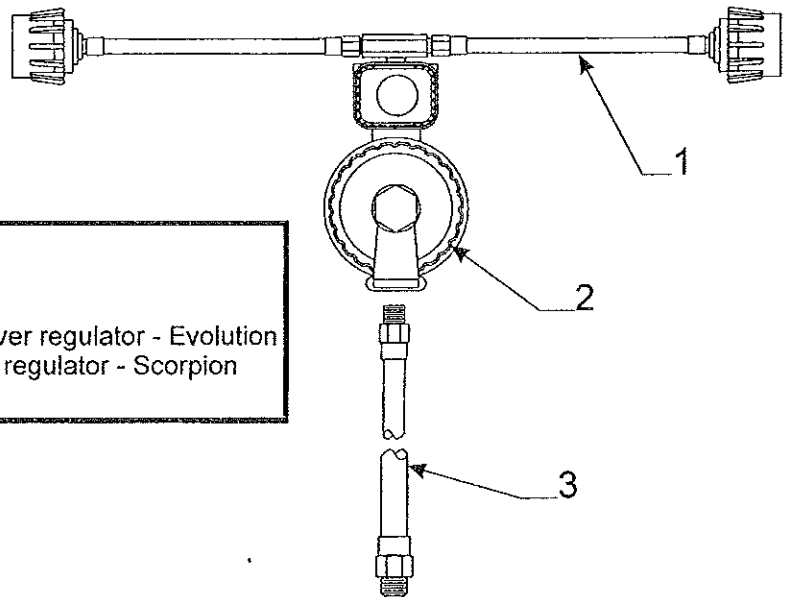
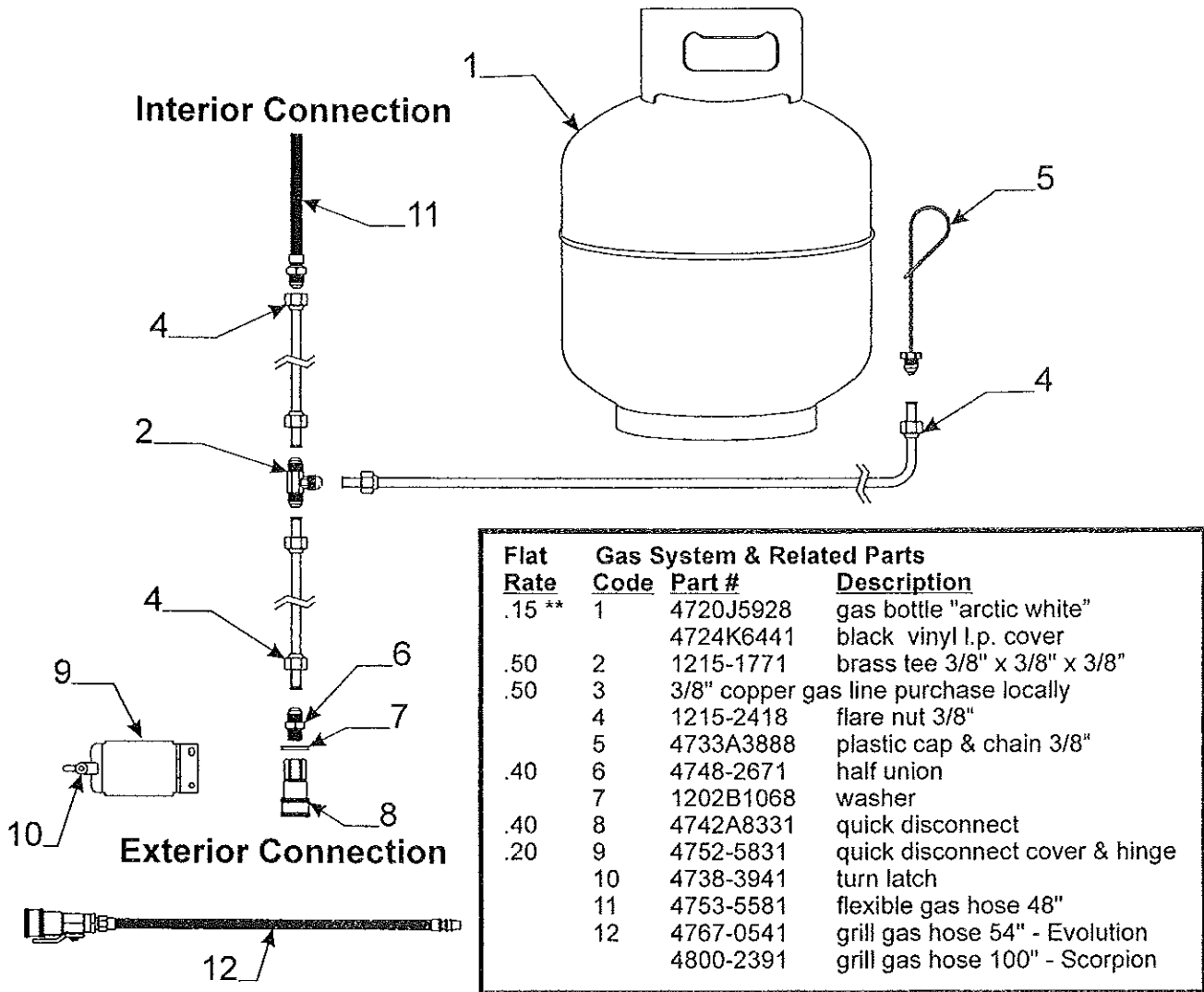


**4701-5511 Parts Package - 3947 Evolution**  
**4800-5431 Parts Package - 3948 Scorpion**

\* **Note:** If safety chains are required for Scorpion Model  
 Please contact Lippert Components, Inc. at - 574/642-3927

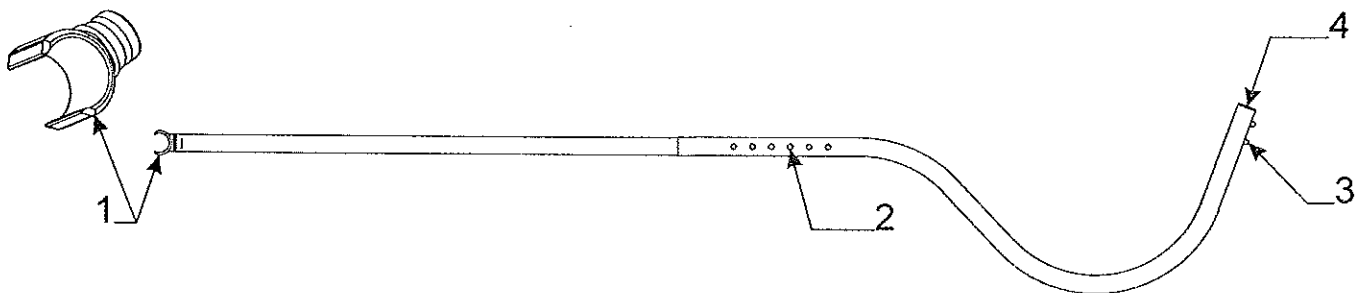
Parts Package Component Parts		
Code	Part #	Description
1	4757-3901	* safety chains w/quick links m2 - 3947
2	4757-3891	quick link (sold/signally)
3	4747G4141	crank handle
4	4749A1861	lug nut wrench - Evolution
	4800-2681	lug nut wrench - Scorpion
5	4761-2401	stabilizer crank
6	4746-0401	breakaway switch
7	4749B5531	battery harness w/15 amp breaker
8	4751-4811	15 amp circuit breaker
9	4737-9138	drain adapter
10	4734C3781	regulator cover
11	4753E6781	battery angle pkg.
12	4732A4791	safety pin m10
13	4771-2631	hitch pin m5 - 3947 Evolution
	4757-4491	hitch pin m5 - 3948 Scorpion
14	4730B3211	key m10 # 8025 (gold plated)
15	4772A9521	gas bottle hold down kit

**\*\* Serial Number Of Gas Bottle Must Be Supplied When Submitting Warranty**



Flat Rate	Code	Part #	Description
	1	4761-1921	12" lp gas hose
	2	4701-2111	manual changeover regulator - Evolution
		4773-5821	auto changeover regulator - Scorpion
	3	4737-8871	gas hose

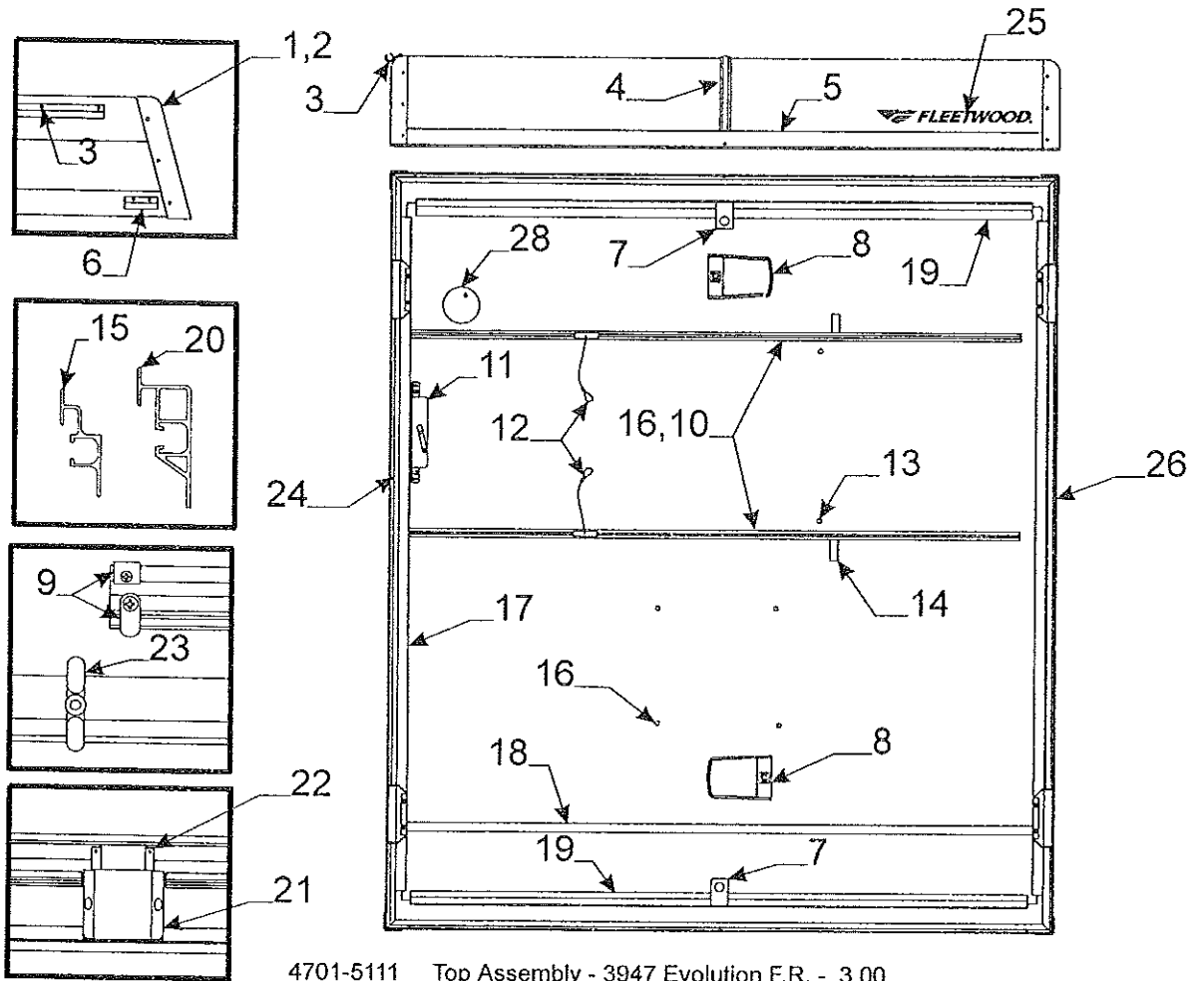
Flat Rate	Tent Sections & Related Parts	Code	Part #	Description
.50	1	4701-5521		front boot 3947 Evolution
.50		4800-5491		cs/rs boot 3948 Scorpion
.50	2	4701-5561		rear boot 3947 Evolution
.50		4800-5491		cs/rs boot 3948 Scorpion
.20	3	4701-5541		large window 3948 Evolution
.20		4800-5501		large window (frt. of unit) 3948 Scorpion
.20	4	4701-5531		small window 3947 Evolution
.20		4800-5511		small window (lt. of door) 3948 Scorpion
.15	5	4701-5551		door seal 3947 Evolution
.15		4800-5521		door seal (rt. of door) 3948 Scorpion
	6	8118501430P		top vinyl pkg. (85" x 3 yards)
	7	4716C0851		sunbrella patch package (12" x 14")
	8	6650500131F		zipper (sold/yard) used around window
		1225A4461		zipper pull m5
	9	8118001440P		black bottom vinyl facing pkg. (3 yd. x 80")
	10	4714E1611		screen package (84" x 3 yards)
		4714A0361		screen package (84" x 13 yards)
	11	4350000009P		1" velcro hook (10' pc. Pkg.)
	12	4716-2401		clear window vinyl (41" x 2 yards)
	13	1225G3768		45 1/2" side zipper pin half - Evolution
		1225G3758		45 1/2" side zipper slider half - Evolution
	13	1225G3458		40 1/2" side zipper pin half - Scorpion
		1225G3448		40 1/2" side zipper slider half - Scorpion
.50	14	4060000245CP		shock cord (150' package)
.50		4714C6021		shock cord & hooks m2 (two 14' lengths)
.15		4724A2011		shock cord termination (plastic hook) m10
	15	4060000024F		arrowhead seal (sold/foot)
.30	16	4735D6721		extension harness
.50	17	4743-1588		k-kote seam sealer
	18	4728-5641		tent retainer pkg.
.30	19	4710-1011		vinyl daubing "gray" m2



Flat Rate	Tent Support Components	Code	Part #	Description
.20	1	4757-4301		tent support clasp m10
.10	2	4734-6708		spring assy.
.10	3	4734A6708		spring assy.
.10	4	4752A0561		tube closure "black" m2

Tent Support Assemblies (Complete)		
Flat Rate .10 per Tent Support		
	Front Bed	Rear Bed
3947 Evolution	4769A5641	4759A6891
	Curbside Bed	Roadside Bed
3948 Scorpion	4754A7501	4754A7501





1.50 For A/C  
1.00 For Crossbars  
1.00 For Disposal

4701-5111 Top Assembly - 3947 Evolution F.R. - 3.00  
4800-5221 Top Assembly - 3948 Scorpion F.R. - 3.00

Flat Rate	Code	Part #	Description	Flat Rate	Code	Part #	Description
.50	1	4713-0031	top corner pkg. (pkg. of 4) 3947	.30	10	4733H47181	screen door track x2
.50		4716U1981	top corner pkg. (pkg. of 4) 3948			4744B4611	expansion rivet m25
		4350000058F	saturated foam tape (sold/foot)	.20	11	4749C5571	screen door bracket
		4701-1958	caulking "black"			4747-2558	expansion rivet m25
		4745C3908	caulking "white"			4749-2138	snap button m2
	2	4758-9921	screw "black" m12			1203-8631	rivet m25
		4745-3968	screw "white"	.15	12	4734D5211	screen door cable m6
.50	3	4701-0471	canopy track "black"		13	4730A3548	stud w/screw x2
.50		4757-3561	canopy track "white"	.15	14	4723A5061	strap x2
		4350000175P	1/8" x 5/8" sealing tape (12' pkg.)	.30	15	4060000092P	tent track (frt./rr.)
1.00	4	4701-0491	center seam 3947			1103E1018	screw stainless steel
1.00		4752-02791	center seam 3948		16	1203-9258	plastic accordion rivet m25
		4060400097F	vinyl screw cover "black" (sold/foot)		17	4767-386	side cove x2 (must cut to size)
		4060400096F	vinyl screw cover "white" (sold/foot)			4747-2558	expansion rivet m25
		4350000201	sealing tape 1/16" x 1"	.20	18	4350400004F	vinyl tape (sold/foot)
.50	5	4701-052	frt./rr. top seal extrusion 3947		19	4756B0671	cove (front/rear)
.50		4759A240	frt./rr. top seal extrusion 3948			4747-2558	expansion rivet m25
.15	6	4701-0481	top strike "black" m2	.30	20	4060000093P	tent track (must cut to size)
.15		4750A9581	top trike "white" m2			1103E1018	screw stainless steel
		4701-0531	torx head screw "black" m12	.20	21	4747D5521	lift pocket cover x4
		4744C2461	torx head screw "white" m12			4741D3558	hole plug x2
		1201B6958	nut (x2 per strike)			4351400005F	velcro loop (sold/yard)
.10	7	4741F11381	tent support brkt.	.25	22	4741B5431	lift pocket x4
		4741C9368	screw "painted" x2	.15	23	4743-2501	lock nut ( x2 per pocket)
.15	8	4737K5911	single dome light	.50	24	4060100399P	rubber top seal (40' package)
		4758-1361	dome light lens	.25	25	4701-2628	Fleetwood decal
		1103B1028	screw x4	.75	26	4701-055	side seal extrusion
	9	4728A5641	tent retainer pkg.		27	4716A8991	roof brace & hardware
		4750-2891	drape tab m60	.15	28	4767-4641	carbon monoxide detector

