



**2005**

**Destiny Series**

**Repair Parts Catalog**

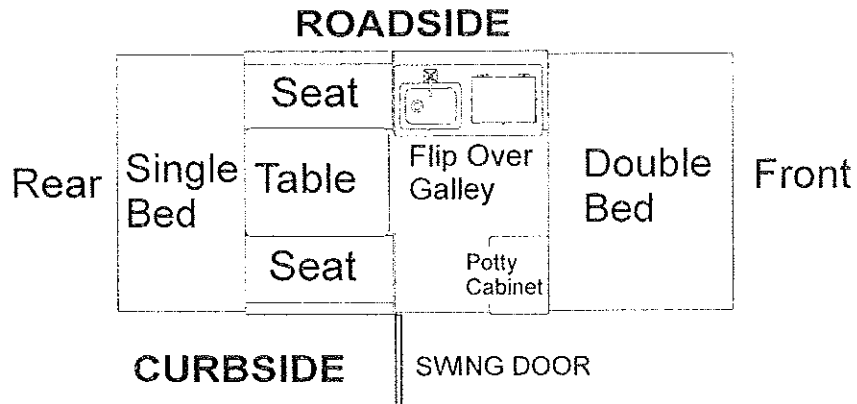
3943 Tucson

3956 Yuma

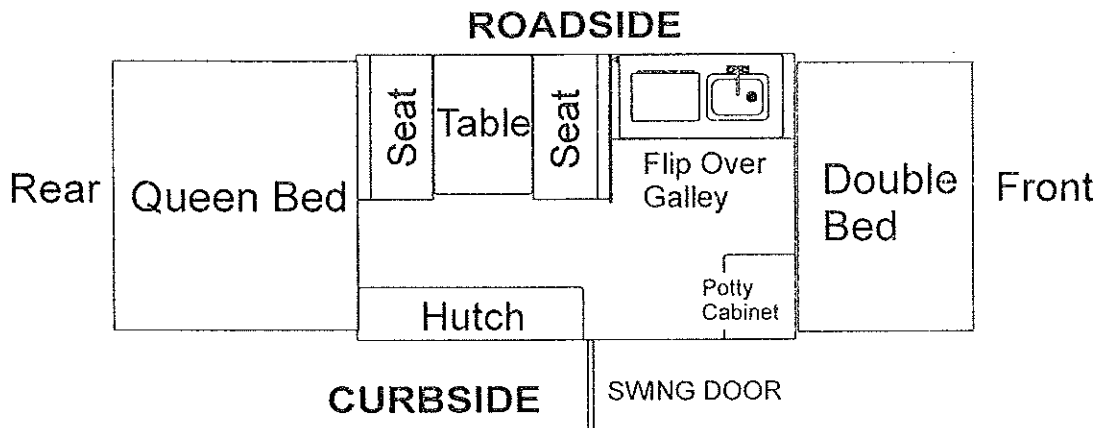
3988 Sea Pine

# 2005 DESTINY SERIES

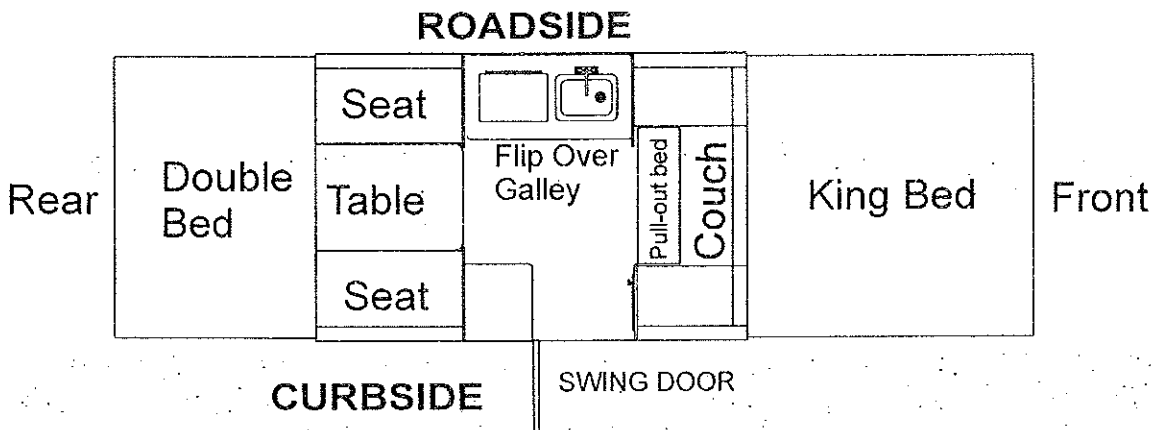
## 3943 TUCSON 8'



## 3956 YUMA 9 1/2'



## 3988 SEA PINE 11'



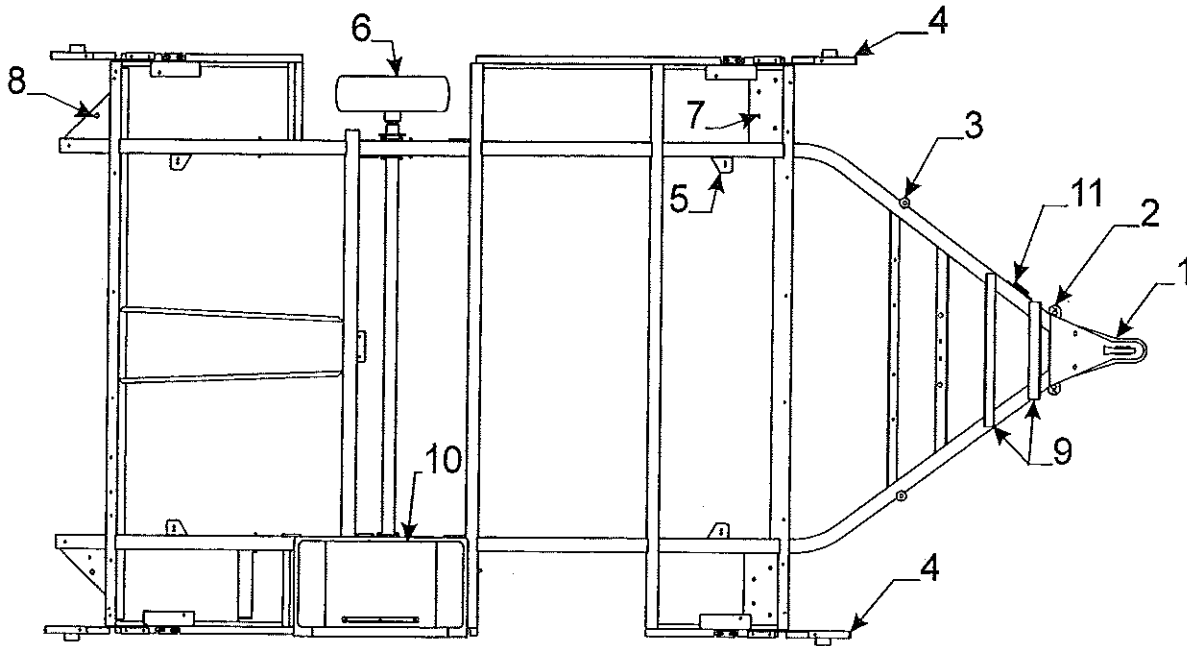
## TABLE OF CONTENTS

<u>DESCRIPTION</u>	<u>PAGE</u>
Access door key .....	26
Access door assembly & related parts .....	8
Auto extension .....	19
Axle assemblies & related parts .....	5
Backrest assemblies & covers .....	25
Bed assemblies.....	20, 21
Bed extensions & related parts .....	20
Body panel right rear (curbside) .....	7
Body panel left side (roadside) .....	9
Body panel front & rear .....	6
Body panel right front (curbside) .....	7
Bumper & related parts .....	6
Cabinet assembly (corner cabinets) .....	16
Cabinet "curbside rear" Sea Pine .....	18
Caulking .....	18
Converter & related parts .....	16
Cooler (built-in) .....	12, 13, 14
Corner bulkhead assembly .....	2
Coupler assembly .....	2
Crank-up/crank-down components .....	4
Crank handle .....	26
*Cushion assemblies & covers .....	25
Door bulkheads .....	8
Drain hose (used on sinks) .....	10
Drape packages & related parts .....	25
Electric brakes & related parts .....	5
Fire extinguisher & components .....	18
Floor covering .....	2
Frame assembly & related parts .....	2
Gas detector .....	17
Gas hose (gas bottle hook-up) .....	27
Gas bottle mounting brackets .....	26
Gas quick disconnect (outside stove) .....	27
Gas bottle cover (black vinyl) .....	27
Gas bottle & related parts .....	27
Grease cap (dust cap) .....	5
Hub assembly & related parts .....	5
Hutch assembly (roadside Yuma) .....	18
Lift assemblies & related parts .....	3
Lift trim & miter covers .....	7, 9
Lower galley components (3943 Tucson) .....	12
Lower galley components (3956 Yuma) .....	13
Lower galley components (3988 Sea Pine) .....	17
Lug wrench .....	32
Mattress assemblies & covers .....	27
Paint (spray & quart can) .....	33
Paneling & trim .....	19
Parts package & components .....	26
Pigtail (car end) .....	2

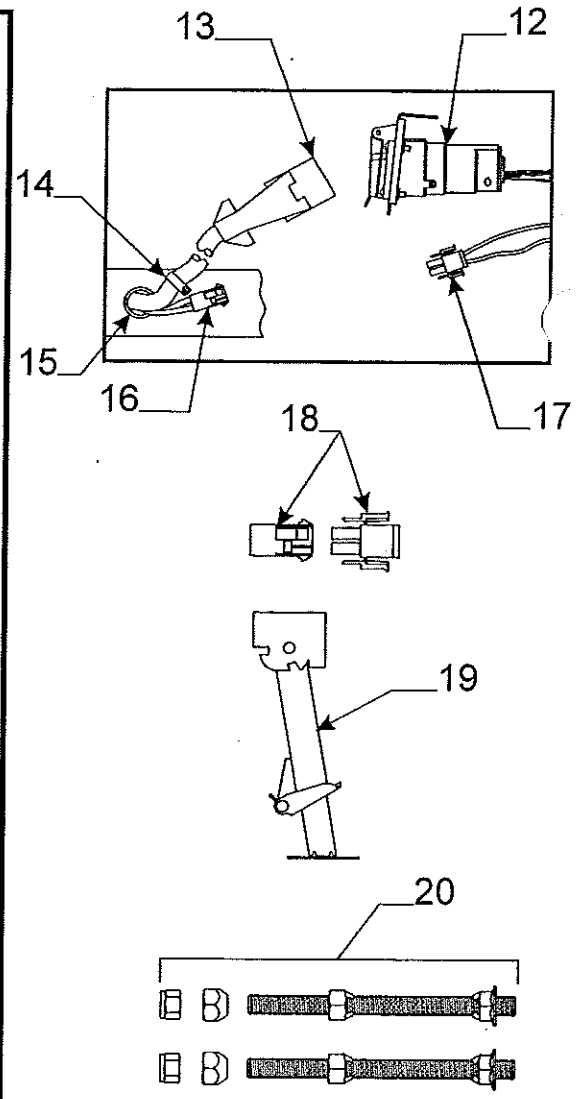
<u>DESCRIPTION</u>	<u>PAGE</u>
Power cord (converter) .....	16
Receptacle (exterior) .....	7
Receptacle (interior) .....	16
Refrigerator vents .....	9
Regulator & fittings .....	27
Safety chains .....	27
Screen door & related parts .....	24
Seat bench component parts .....	17
Sink & related parts .....	10
Spare tire cover (black vinyl) .....	2
Spare tire mount package .....	2
Stabilizer assembly .....	2
Stabilizer handle/lug wrench combo .....	26
Step components (outside step) .....	8
Stove components (upper galleys) .....	11
Table assemblies & related parts .....	11
Taillights (rear body panel) .....	6
Tent support assemblies & related parts .....	15
Tenting & related parts (sunbrella) .....	28
Thermostat (Hydro Flame) .....	17
Thrust bearing .....	3
Tie backs (curtains) .....	25
Tire & rim .....	2
Tire cover "black vinyl" .....	2
Tire mount bracket .....	6
Tongue jack & related parts .....	4
Top assemblies & related parts .....	29
Trim tape kits .....	6, 7, 8, 9
Upper galley components (3943 Tucson) .....	12
Upper galley components (3956 Yuma) .....	13
Upper galley components (3988 Sea Pine) .....	17
Valance package .....	25
Water heater .....	23
Water system & related parts .....	22, 23
Wheel well .....	2
Whiffletree & related parts .....	3
Zipper (tenting assemblies) .....	28

Axle/Brakes - Dexter .....	219/295-1900
Converter - World Friendship Co. ....	800/900-2468
Furnace - Hydro Flame #7916-11 .....	800/546-8759
Mixer Faucet - Empire Brass .....	800/431-6440
Refrigerator - Dometic .....	800/216-5115
Stove - Vitco .....	877/825-8528
Water heater - #5031E .....	423/775-2131
Yakima bike rack - to obtain repair parts .	800/925-4621

**\*Revised 9/1/05**

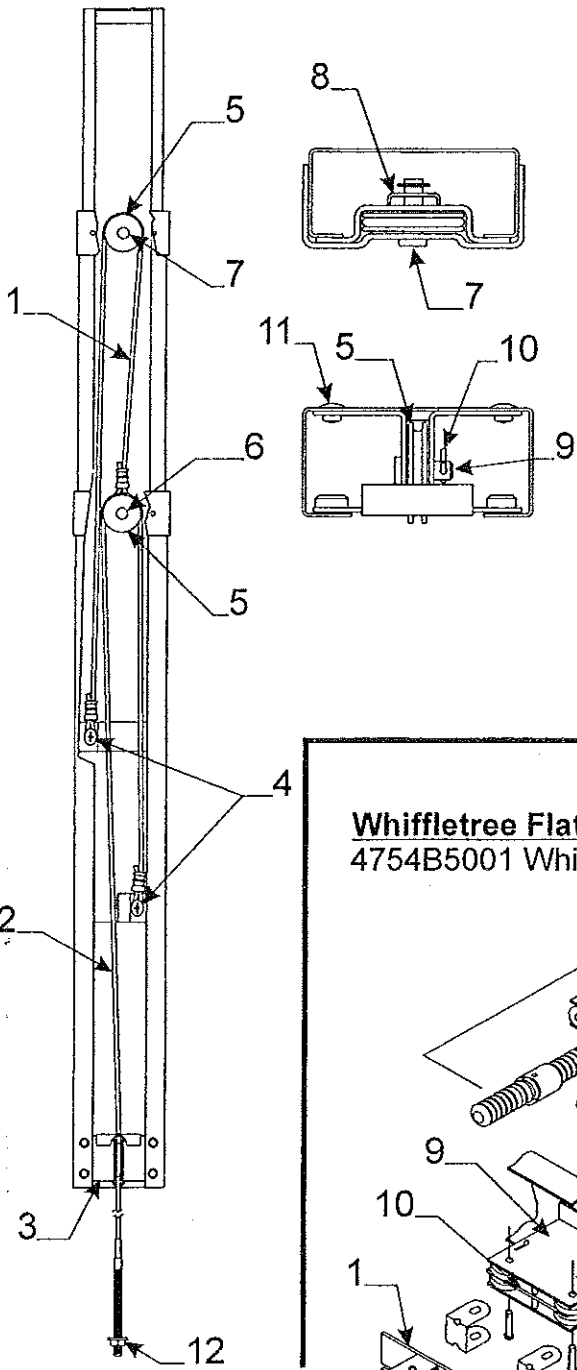


Flat Rate	Code	Frame Assembly Part #	Component Parts Description
1.50	1	4742-2001	coupler assembly
.25		4714A2211	coupler repair kit
.75	2	4748-6611	chain bar w/pins
.75		4720A3561	chain bar w/o pins
.50	3	4758-0381	bed leg pin & washer
.10		4747-8941	pin cover m2 (plastic)
2.00	4	4769-5451	corner bulkhead csf/rsr 3956, 3988
2.00		4769-5441	corner bulkhead rsf/csr 3956, 3988
2.00		4769-6541	corner bulkhead csr/rsf 3943 Tucson
2.00		4769-6531	corner bulkhead rsr/csf 3943 Tucson
		1203C8751	rivet m25 (rivet bulkhead to frame)
.75	5	4732E3671	adjustable pulley brkt. x4
.25		4715A5371	pulley & bearing m10
		4720C1578	short pin m4
		1204B1081	cotter pin m10
.25	6	4757A2468	tire & rim 13" lr "C" 3988
.25		4754C1558	tire & rim 12" lr "C" 3943, 3956
		4747G4841	black vinyl tire cover 12" tire
		4723G3161	black vinyl tire cover 13" tire
	7	4769-6841	stabilizer gusset csf 3988
		4769-6851	stabilizer gusset rsf 3988
		4755A7201	stabilizer gusset rsf/csr 3956 Yuma
		4749A5861	stabilizer gusset frt. x2 3943 Tucson
	8	4752-6001	stabilizer gusset rear (all)
		4755A7191	stabilizer gusset rsr/csf 3956 Yuma
	9	4716A7151	frt./rear battery angle pkg.
2.00	10	4759-0931	wheel well assy. x2 3988, 3956
2.00		4755-7301	wheel well assembly x2 3943
.75	11	4720B3331	jack bracket (welded to tongue)
	12	4746A5591	pigtail - "car end" (all)
	13	4753B3751	trailer harness (all)
	14	1201-8738	3/8" clamp
		1203C8721	steel rivet m25
	15	4742-8108	1 1/4" snap bushing
	16	4716A5001	12 volt power harness
.15	17	4749B5531	12v wire harness m2 (battery connection)
	18	4716A4701	12 volt cap & plug m2
.25	19	4720D0731	stabilizer assembly
		4739-2298	nut (x2 per stabilizer)
.25	20	4769-6551	spare tire mount kit (all)



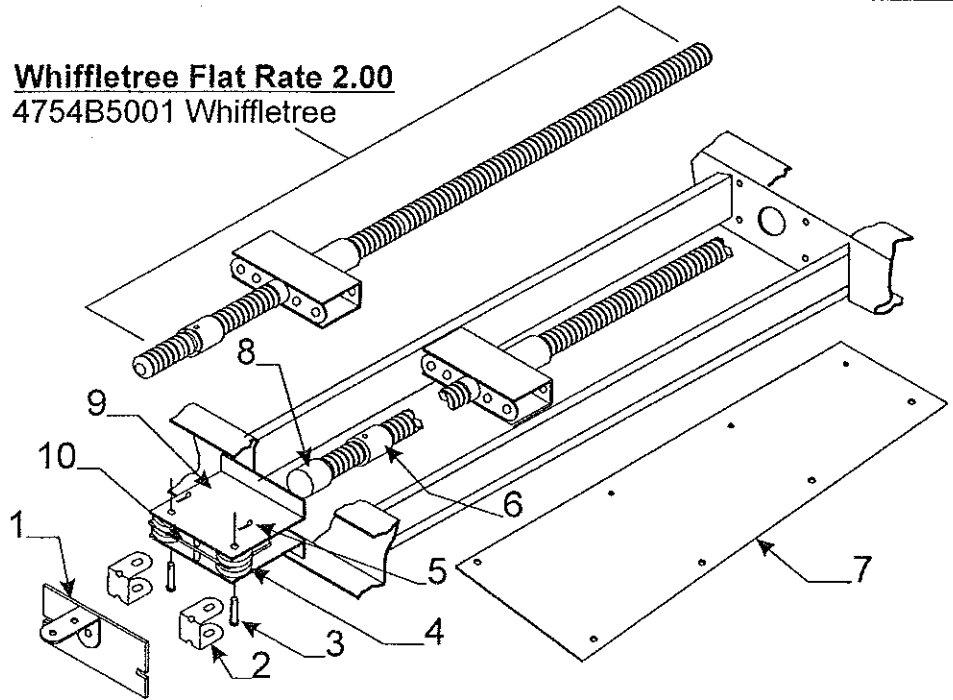
\* 6610007206P floor covering pkg. (7 1/2' x 14')  
 \* Prior Authorization Needed From Factory

1.25 4716A0031 lift assembly roadside rear/curbside front  
 1.25 4716A0041 lift assembly roadside front/curbside rear

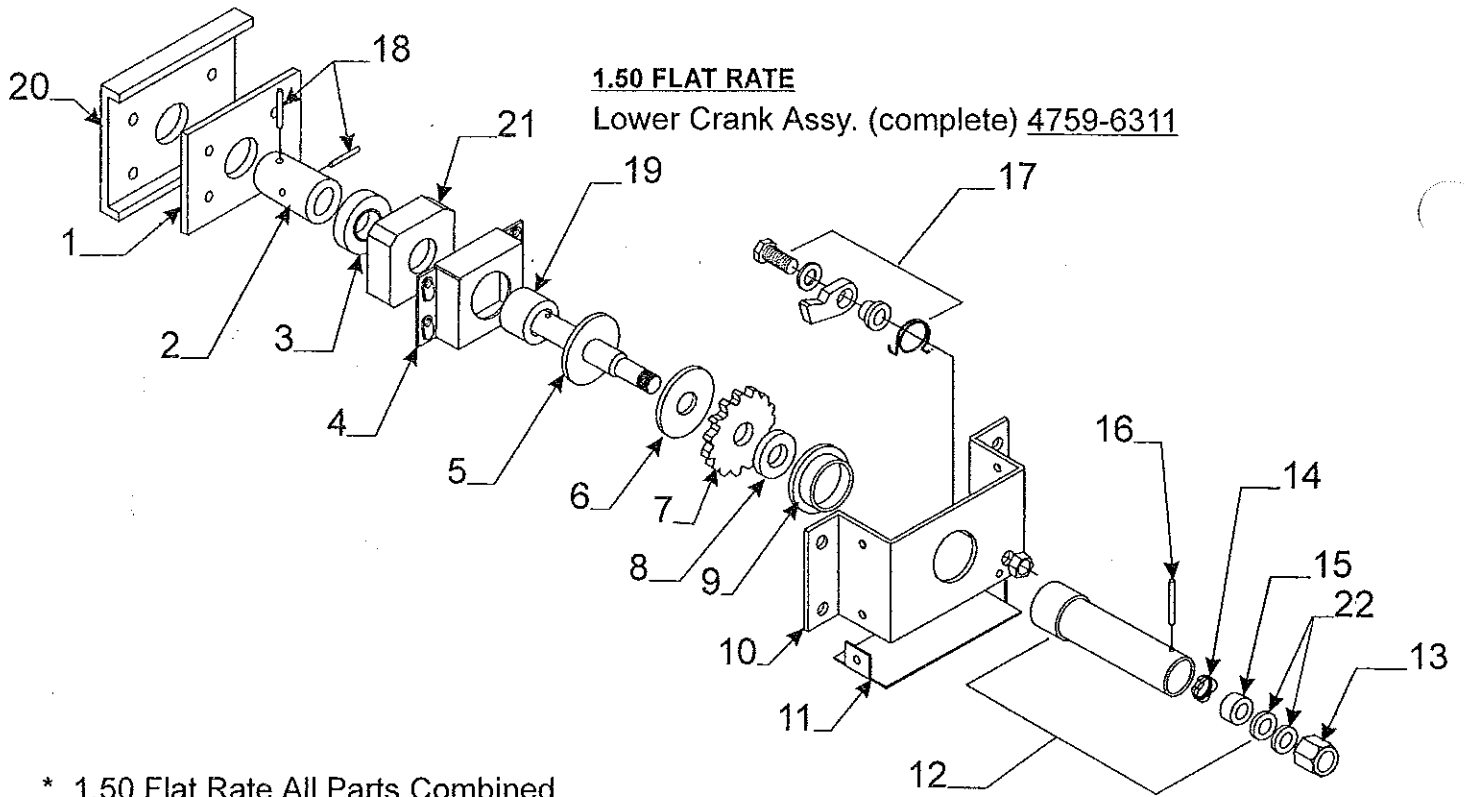


Flat Rate	Lift Assembly Code	Component Part #	Description
.75	1	4720D5271	cable assy. x1 m2
		4720C1691	cable crimp m20
1.25	2	4772-0201	194 1/2" long cable & crimp
		4744-1318	copper cable crimp m10
1.25	3	4731C5801	butterfly bracket assy.
.05	4	4749-2081	screw m6
.50	5	4715A5371	steel pulley & bearing m10
.25	6	4747-8931	long pin x2
		4730B0981	retaining ring m12
.25	7	4749-4061	short pin m4
		4730B0981	retaining ring m12
.25	8	4749A2028	retaining clip
.45	9	4720C1578	lift pin m4
	10	1204B1081	cotter pin m10
	11	1203-8641	rivet m25
	12	1201B6378	1/4" lock nut
		1202E0408	washer

**Whiffletree Flat Rate 2.00**  
 4754B5001 Whiffletree



Flat Rate	Whiffletree & Related Parts Code	Part #	Description	Flat Rate	Code	Part #	Description
.15	1	4749A821	mud flap & brkt.	.25	7	4752B4921	whiffletree pan cover
.50	2	4744B1741	cable retainer x2			4755-4611	tek screw m25 (fasten pan in place)
.20	3	4720J1561	long pin m4	2.00	8	4730D1291	screw socket (welded)
.50	4	4715A5371	pulley & bearing m10	2.00	9	4720-1551	pulley plate
.10	5	1204B1081	cotter pin m10	.50	10	4715D5661	pulley spacer
1.60	6	4710B4248	bushing				
		4744A1301	solid shear pin m10				

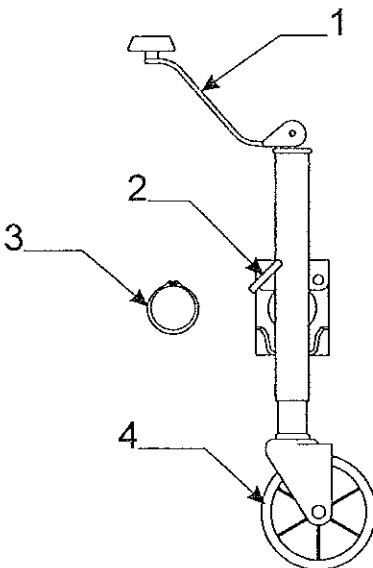


**1.50 FLAT RATE**

Lower Crank Assy. (complete) 4759-6311

\* 1.50 Flat Rate All Parts Combined

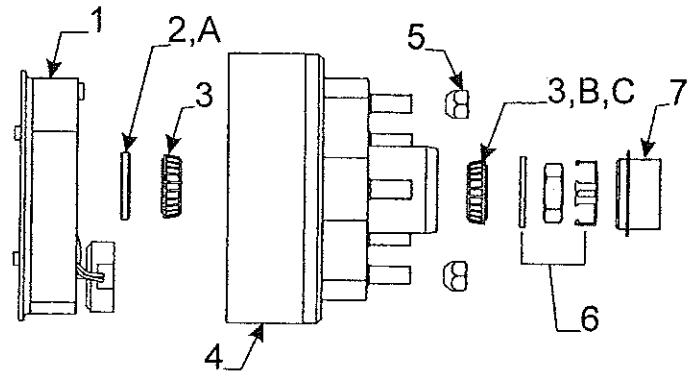
Flat Rate	Crank Up/Crank Down Component Parts	Flat Rate	
	Code Part # Description		Code Part # Description
	1 4756-8321 bearing housing plate	*	11 4751-3721 housing cover plate
1.50	2 4756-8301 coupler bushing		1203-8641 rivet m25
1.50	3 4720C2421 thrust bearing	.75	12 4716A1741 drive hub ext. pkg.
*	4 4750A9251 bearing housing		<b>Note: pkg. includes parts marked w/* asterisk</b>
	4738A0898 hex bolt x4		13 *4751-3551 5/8" nut
*	5 4751-3701 drive shaft	.50	14 *4752-3921 handle spring x1 m2
*	6 4751-3561 pressure plate	.50	15 *4751-4671 nylon washer x1
*	7 4751-4831 ratchet wheel	.10	16 *4747A9451 spiral roll pin x1 m6
*	8 4751-3581 pressure washer	.60	17 4716-1221 ratchet pawl pkg.
*	9 4751A3591 shaft bushing	1.00	18 4744A1301 shear pin x1 m10
*	10 4751B3691 crank housing	1.50	19 4756A8311 spacer bushing
	4731-3878 hex head bolt x4		20 4750A9261 plate "painted"
	1201B6038 lock nut x4	1.50	21 4756-8441 bearing house square spacer
			22 4757-3938 washer x2



Flat Rate .10 Jack Removal			
Flat Rate	Code	Part #	Description
.15	1	4716-1951	jack handle kit
.15	2	4716-1981	locking plunger kit
.10	3	4720A3341	snap ring
.25	4	4716-1971	jack wheel nut & bolt

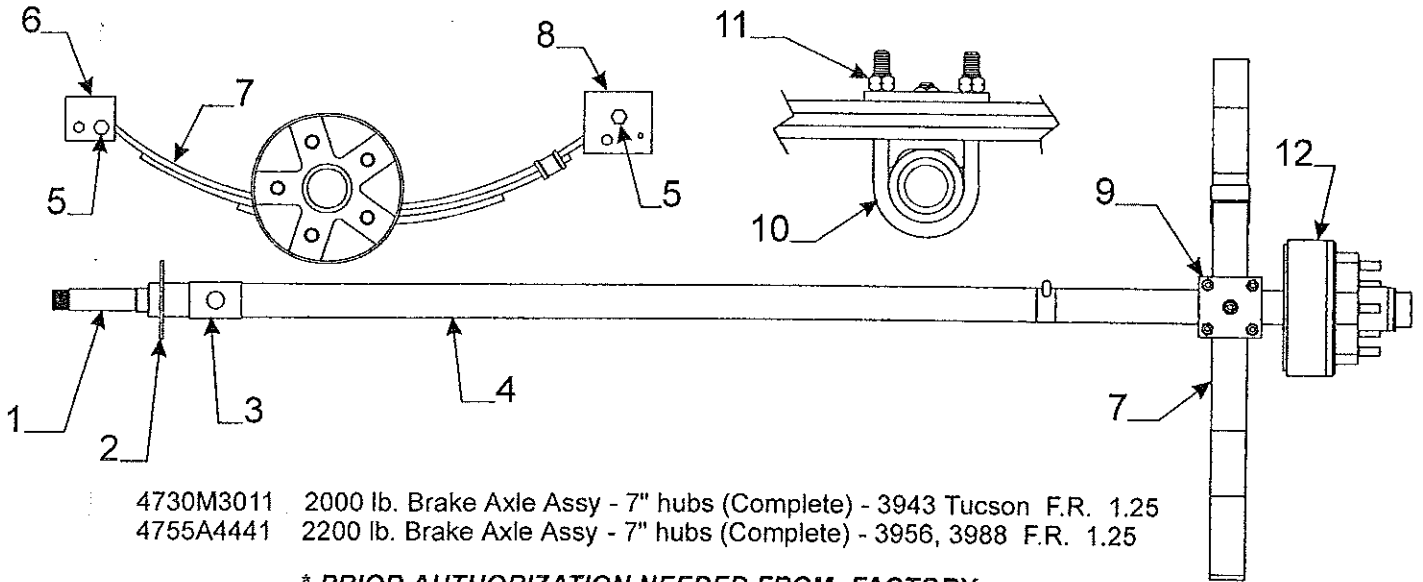
**Flat Rate .50 Per Side  
Electric Brake Pkg. 7" x 1 1/4" (4714H2011)**

Flat Rate	Code	Part #	Description
.50	1	4733A3521	7" brake assembly (right hand)
.50		4733A3531	7" brake assembly (left hand)
.50	2	4714A2201	7" grease seal x1 (2 per pack)
.50	3	4716-1101	7" bearing, race & seal pkg.
.30	4	4716A1071	7" hub & drum x2
.05	5	4747A9528	lug nuts x5
.10	6	4714A3061	retainer package
.05	7	4714C0621	EZ lube grease cap m4



**Crossover Numbers To Purchase Locally**

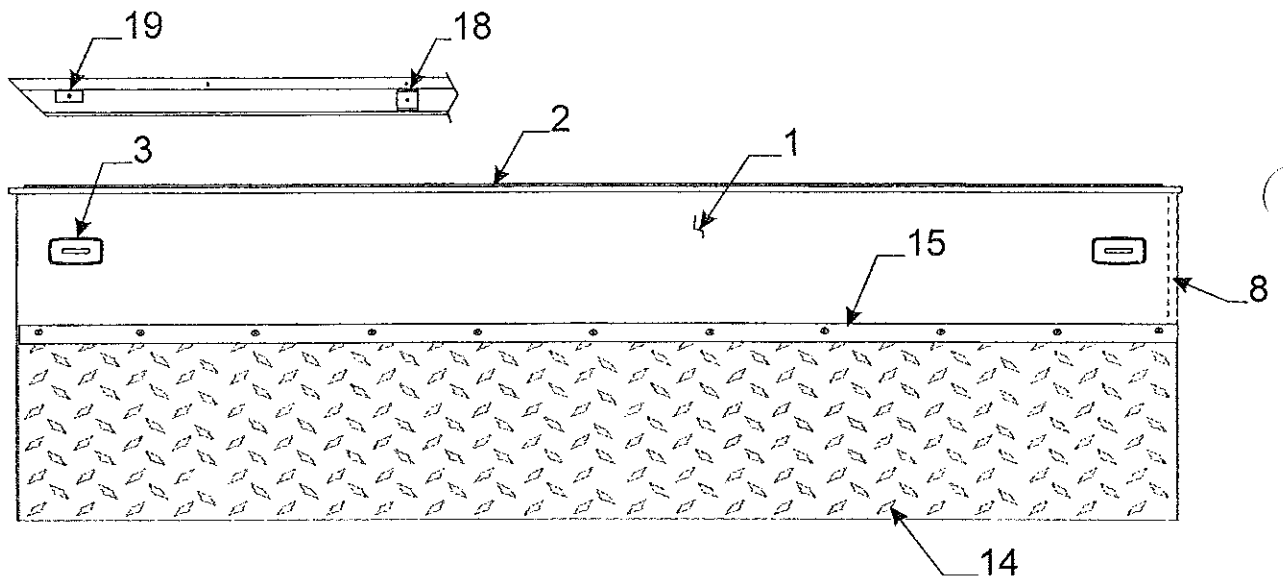
- A** K71-301-00 Grease Seal (7" hub)
- B** L44649 Bearing
- C** L44610 Race



- 4730M3011 2000 lb. Brake Axle Assy - 7" hubs (Complete) - 3943 Tucson F.R. 1.25
- 4755A4441 2200 lb. Brake Axle Assy - 7" hubs (Complete) - 3956, 3988 F.R. 1.25

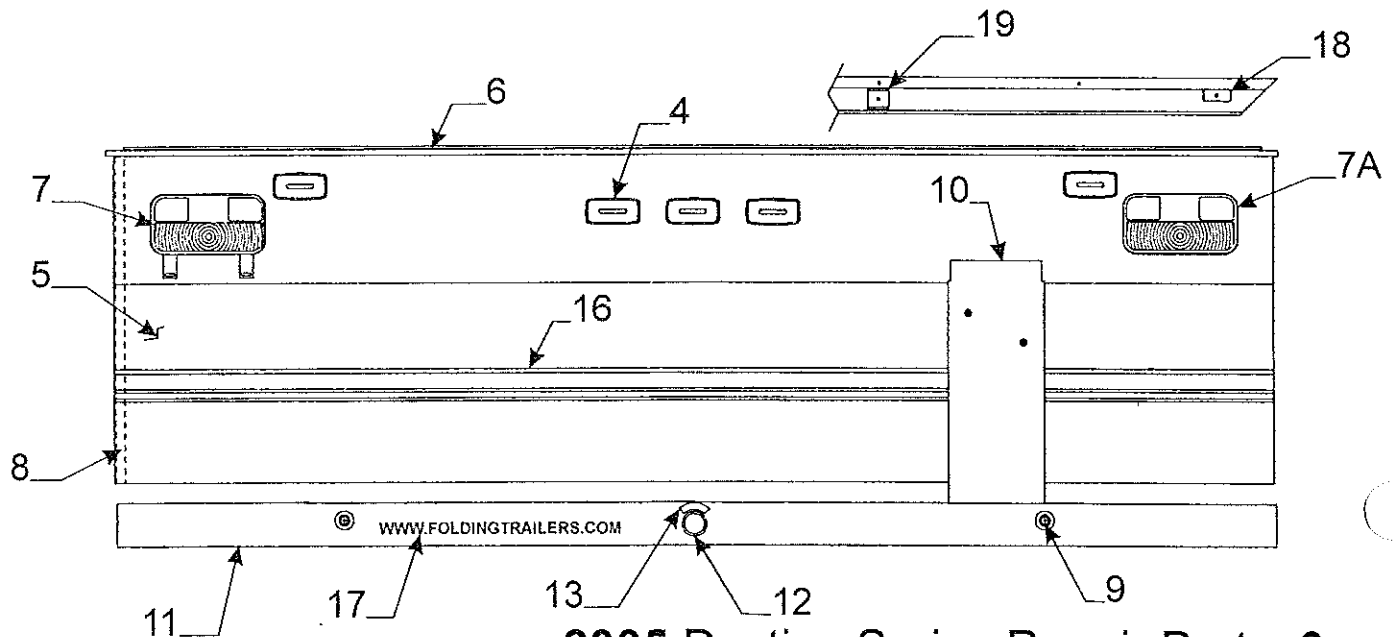
**\* PRIOR AUTHORIZATION NEEDED FROM FACTORY**

Flat Rate	Code	Part #	Description
*	1	4741B8491	spindle
*	2	4741A8471	brake plate
*	3	4741-8461	spring pad channel m2
1.00	4	4716A1571	axle beam 3943 Tucson
1.00		4716F6251	axle beam 3956, 3988
.25	5	4737A1318	shackle bolt
		4741-9498	shackle bolt nut
2.00	6	4741A3398	spring shackle (rear)
.75	7	4741B3381	leaf spring (2 ply) 3943 Tucson
.75		4735G2201	leaf spring (3 ply) 3956, 3988
2.00	8	4741C3398	spring shackle (front)
.50	9	4741-8458	u-bolt plate
.25	10	4741A8438	u-bolt
	11	4741-9358	u-bolt nut
	12	<b>Note: refer above for hub &amp; components</b>	

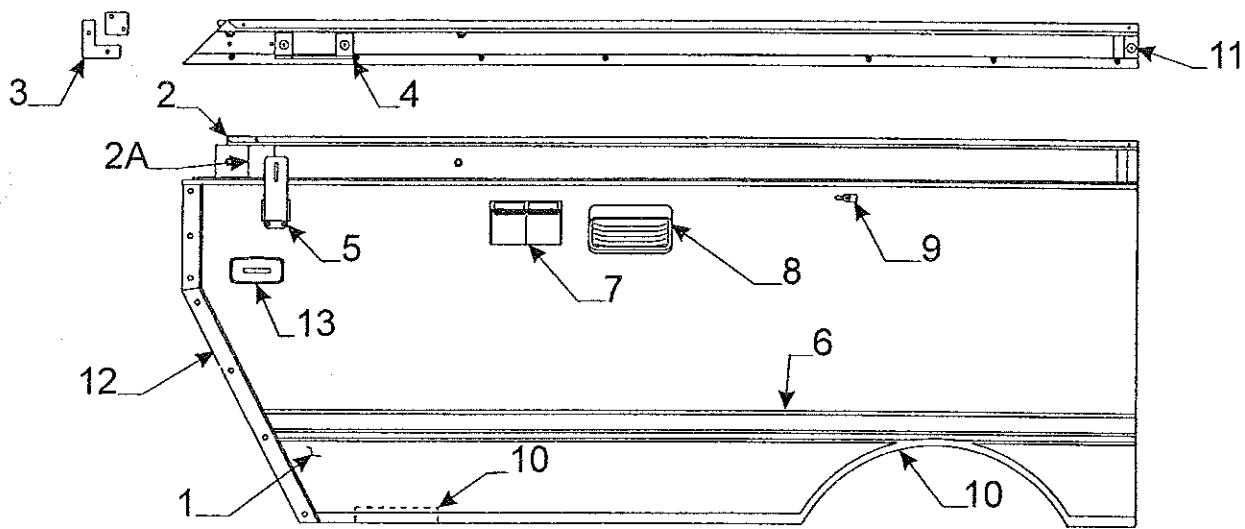


\* 1.50 Flat Rate Front Panel/2.50 Rear Panel

Front & Rear ABS Body Panel Components				Flat Rate			
Flat Rate	Code	Part #	Description	Flat Rate	Code	Part #	Description
*	1	4759-2061	front body pnl. 3956, 3988	.20	7A	4749B4321	taillight
.65		4759A9091	front body pnl. 3943 Tucson	.10		4716A1061	taillight lens
.75	2	4759B1951	frt./rr end rail 3956, 3988			4747-2558	expansion rivet m25
.75		4759A4931	front end rail 3943 Tucson	.10	8	4060000023P	d-seal pkg. (5' pc.)
		1203-8651	rivet x5 m25	.25	9	1032B24248	bolt x2
.15	3	4714J08481	amber marker light			1202B0468	washer x6 m10
.10		4716A4571	amber lens (lens only)			1202B1068	washer x2
.25		4733H1311	socket & harness			1201B6068	nut x2
		4747-2558	expansion rivet m25	.05	10	4769-6521	spare tire mount
.15	4	4714J08581	red marker light	.30	11	4767A0421	bumper 3943
.10		4716A4561	red lens (lens only)	.30		4759-2261	bumper 3956, 3988
		<b>Note: refer to code # 3 for hardware</b>		.10	12	4733-2741	2" snap bushing
*	5	4759A2071	rear body pnl. 3956, 3988	.10	13	4730H3188	"open" decal
.85		4759A9101	rear body pnl. 3943 Tucson	.50	14	4767-3681	rock guard w/trim cap
		4741D96568	expansion rivet m25 "white"	.20	15	4767-3691	rock guard trim cap
.75	6	4759B1951	frt./rr end rail 3956, 3988			4734C1861	rivet m25
.75		4759A4941	rear end rail 3943 Tucson	.30	16	4350002040P	trim tape pkg. 8' pc.
.20	7	4765-3511	taillight w/license brkt's	.10	17	4767-0888	www.com decal
				.15	18	4754A8491	nylon bed rest & screw
				.15	19	4754B8921	nylon bed ramp & screw



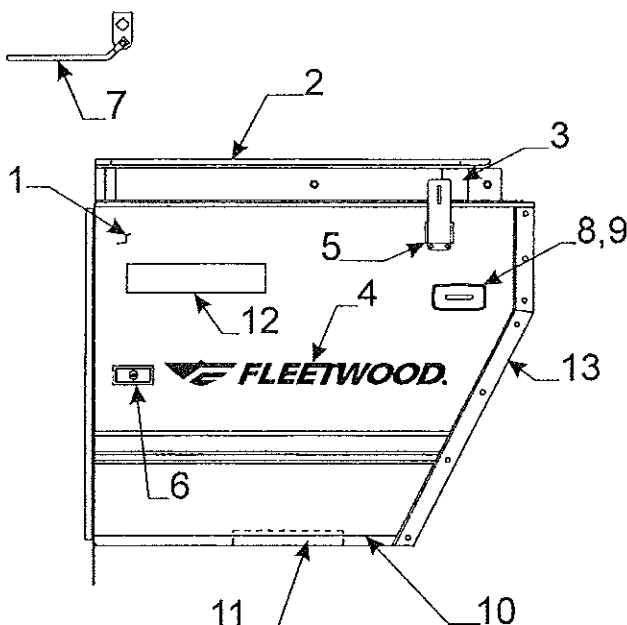




**4716N8251 Curbside Trim Tape/Hardware Kit**

Flat Rate	Code	Part #	Description	Flat Rate	Code	Part #	Description
1.00	1	4759C9131	csr body panel 3943 Tucson	.50	6	4716N8251	trim tape & hardware kit
1.00		4759C2051	csr body panel 3956 Yuma	.25	7	4746A3861	duplex cover & outlet
1.00		4759B3261	csr body panel 3988 Sea Pine	.35		4746-3871	duplex box
1.00	2	4749D9761	csr body rail 3943 Tucson			1203-8678	rivet m25
1.00		4759-2021	csr body rail 3956 Yuma	.25	8	4752-9921	porch light
1.00		4759A3301	csr body rail 3988 Sea Pine	.10		4716-5511	porch light lens "amber"
.10	2A	4716-2771	vel-stick body rail pkg.	.15	9	4738-3941	turn button & rivet
.15	3	4716-7061	miter cover pkg. m4		10	4060050008P	foam tape pkg. (12' pc.)
.25	4	4734C4121	lift trim pkg. m4		11	1203-8831	rivet m25
		4733-3398	nylon flange bushing x2	.30	12	4767-0121	csr corner trim
15	5	4741C6041	top latch w/out lock tab	.15		4745-3968	screw "white" x7
		4749-4848	foam pad	.10	13	4714J08581	red marker light
						4716A4561	red lens (lens only)

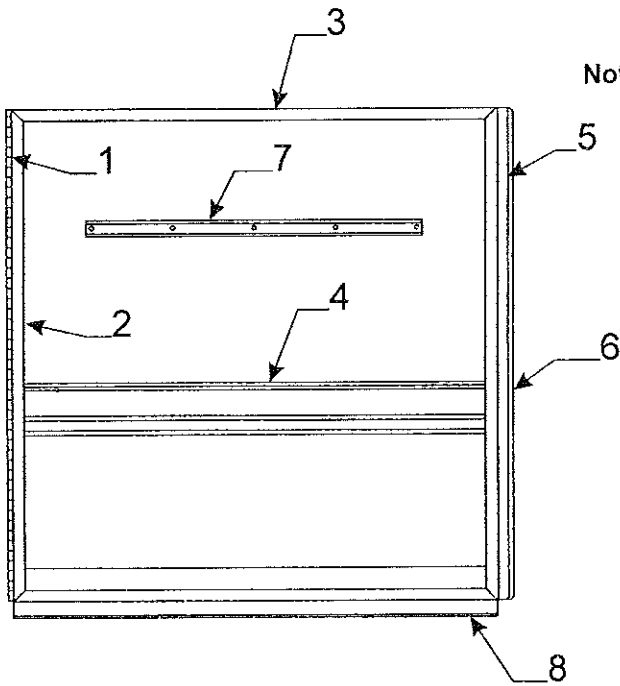
**Note:** Refer above for miter covers and lift trim



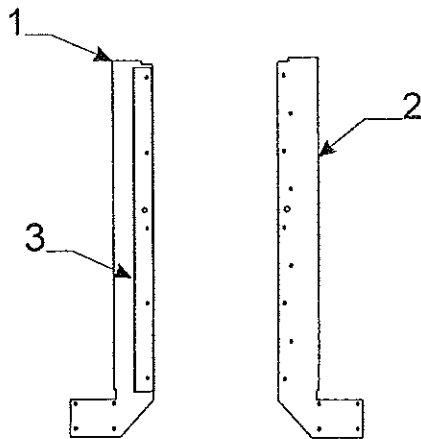
**4716N8251 Curbside Trim Tape/Hardware Kit**

Flat Rate	Code	Part #	Description
.85	1	4759B9121	csf body panel 3943 Tucson
.85		4759A2041	csf body panel 3956 Yuma
.85		4767-2071	csf body panel 3988 Sea Pine
1.00	2	4747C0561	csf body rail 3943 Tucson
1.00		4759-2011	csf body rail 3956 Yuma
1.00		4759-3291	csf body rail 3988 Sea Pine
.10	3	4716-2771	vel-stick body rail pkg.
.25	4	4761-1958	fleetwood decal
.15	5	4741C6041	top latch w/out lock tab
1.00	6	4730C3111	lock handle (with key)
1.00	7	4754-1691	latch, strike & lever
.15	8	4714J08481	amber marker light
.10	9	4716A4571	amber lens (lens only)
.50	10	4716N8251	trim tape & hardware kit
	11	4060050008P	foam tape pkg. (12' pc.)
.25	12	4759A9148	Tucson name decal 3943
.25		4759A2138	Yuma name decal 3956
.25		4767-2088	Sea Pine name decal 3988
.30	13	4767-0131	csf corner trim
		4745-3968	screw "white" x7

Note: Access Door less trim tape (must order separately)

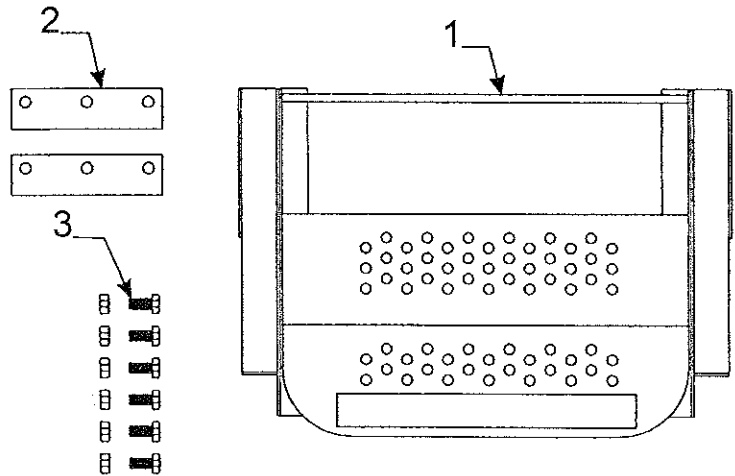


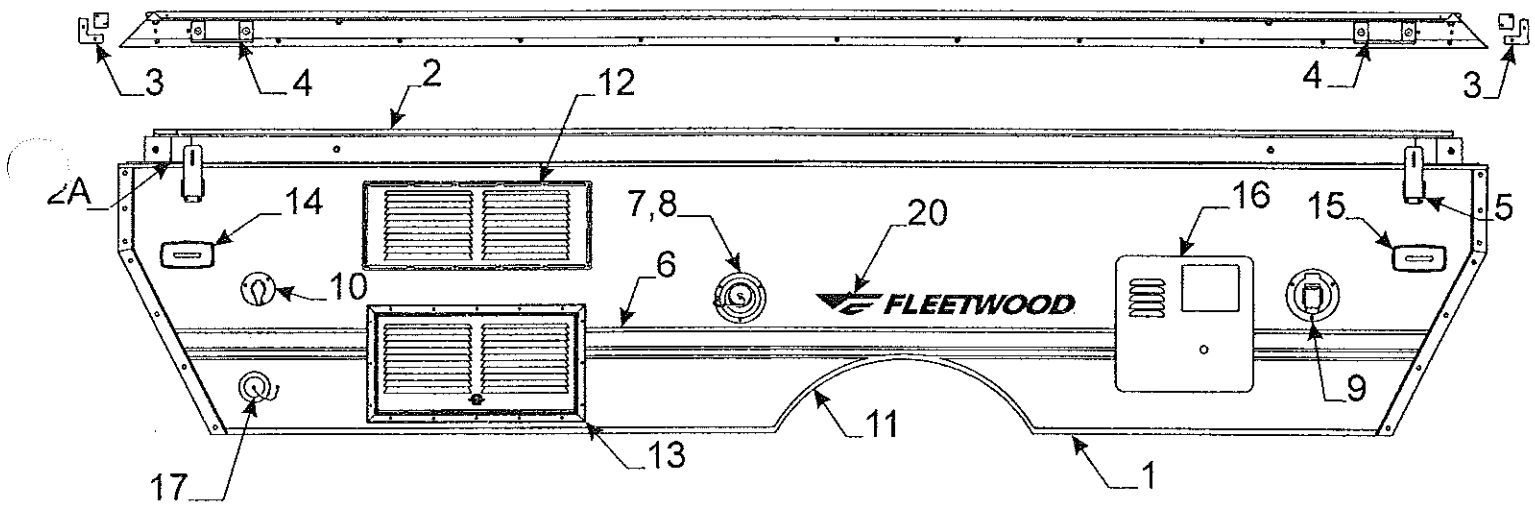
4754K5111 Access Door Assy. F.R. .50			
Flat Rate	Code	Part #	Description
.25	1	4754C0281	door hinge
.35	2	4754A0251	door frame
.25	3	4749C9821	door cap
.25	4	4350002039P	trim tape pkg. (16' pc.)
.20	5	4060000023P	d-seal pkg. (5' pc.)
.25	6	4754E0261	door frame
.25	7	4767-3921	stove support brkt.
		4716-081	screw x2
.25	8	4747C3611	bottom trim
		4745-3968	screw x2



Door Bulkheads & Components			
Flat Rate	Code	Part #	Description
1.25	1	4754A6201	csr bulkhead (all)
1.25	2	4754A6191	csf bulkhead (all)
.35	3	4754A2111	door seal angle
		4733G0601	rivet m25 "black"

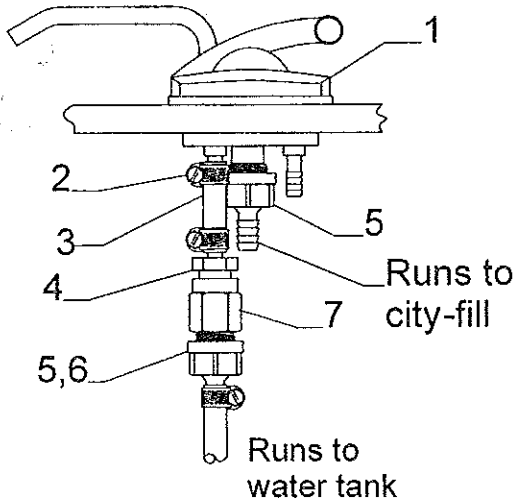
Step Components			
Flat Rate	Code	Part #	Description
.50	1	4747A9741	step
	2	4750-3361	step shim x2
	3	1200B3048	bolt x6
		1201B6068	nut x6



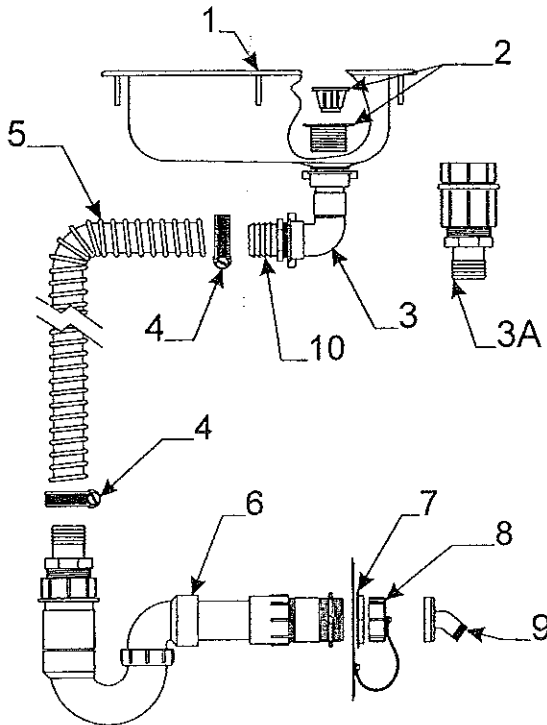


\* Add .50 For Heater Vent  
 \*\*Add 1.00 For Refrigerator  
 \* Add .50 For Hot Water Heater

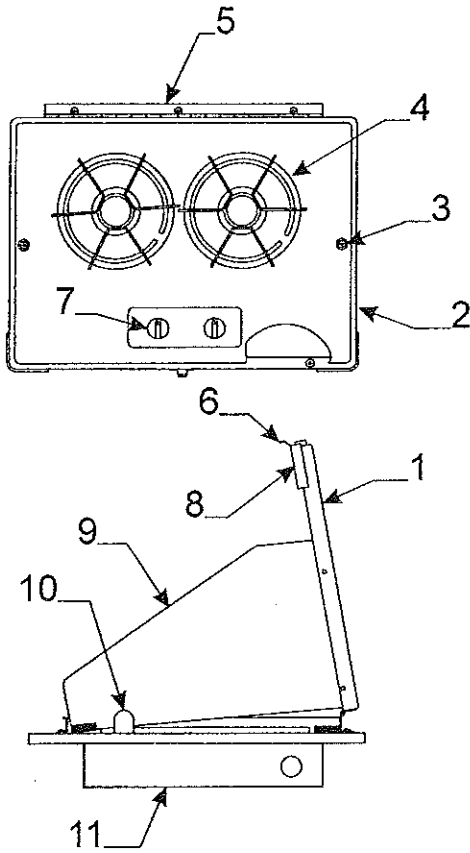
4716N8261 Roadside Trim Tape/Hardware Kit			
Flat Rate	Code	Part #	Description
*1.00	1	4759C9111	left side body pnl. 3943 Tucson
*1.00		4759D2031	left side body pnl. 3956 Yuma
*2.00		4767-1851	left side body pnl. 3988 Sea Pine
3.00	2	4747C0581	left side body rail 3943 Tucson
3.00		4759-2001	left side body rail 3956 Yuma
3.00		4759B3281	left side body rail 3988 Sea Pine
.10	2A	4716-2771	vel-stick body rail pkg.
		4757-0731	wire grommet & nut
.15	3	4716-7061	inner/outer miter cover pkg. m4
.25	4	4734C4121	lift trim, rivets & gasket pkg. m4
.15	5	4741C6041	top latch w/lock tab
		4749-4848	foam pad
.50	6	4716N8261	trim tape & hardware kit
.30	7	4731D1711	water tank spout
	8	4741-3508	hex head tek screw x3
.15	9	4733B23361	cable hatch
.30	10	4732F1521	city fill
	11	4060050008P	1/2" x 1" foam tape pkg. (12' pc.)
.50	12	4747D8321	refrigerator vent "upper"
		4745-3968	painting screw arctic wht. x4 per vent
.50	13	4747D8331	refrigerator vent hinged "lower"
.15	14	4714J08481	amber marker light x4
.10		4716A4571	amber lens (lens only)
.25		4733H1311	socket & harness
		4747-2558	expansion rivet m25
.15	15	4714J08581	red marker light
.10		4716A4561	red lens (lens only)
.25	16	4716-1331	water heater door
.10	17	4714A2861	drain cap & strap
.30	18	4767-0121	csf corner trim
.30	19	4767-0131	csf corner trim
.25	20	4761-1958	fleetwood decal



Flat Rate	Code	Part #	Description
.40	1	4767-3301	hand pump
		4716-081	screw x4
	2	4731-3058	adjustable hose clamp
.35	3	4714-038	3/8" h.p. Hose (sold/foot)
.20	4	4732-4561	male adapter
.20	5	4741A9561	barbed adapter
.20	6	1202-5828	rubber washer
.20		4754-4418	round filter screen
.20	7	4741-9551	check valve "brass"

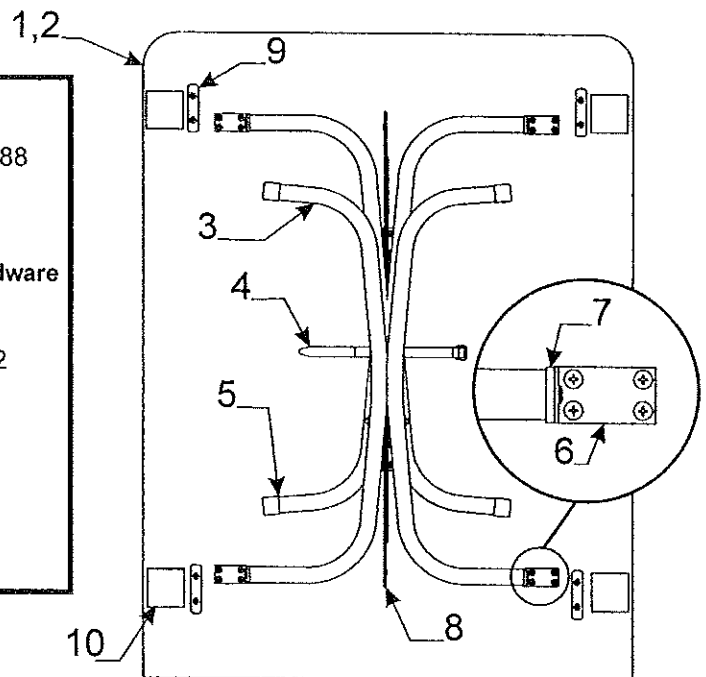


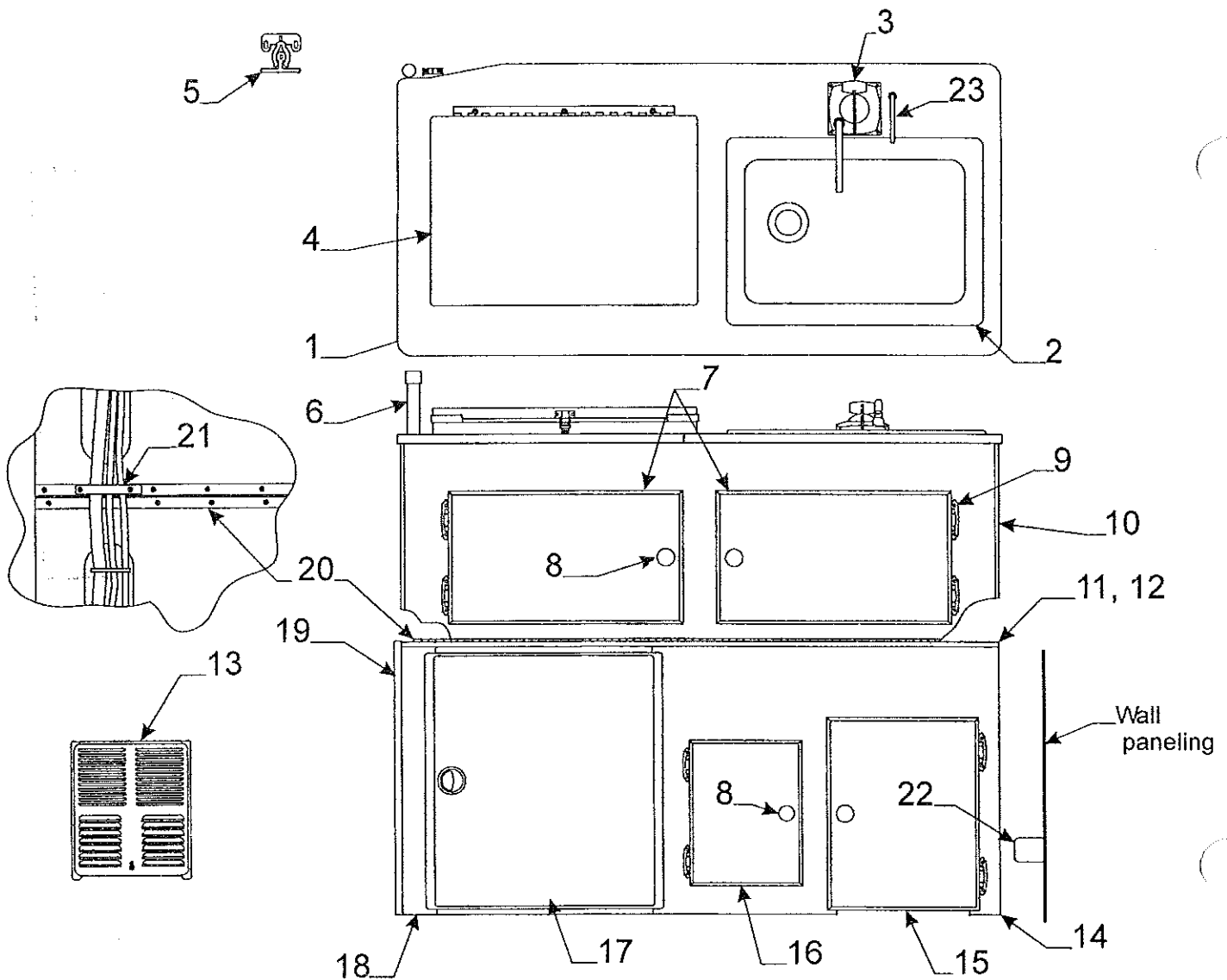
Flat Rate	Code	Part #	Description
.30	1	4710F0301	sink "stainless"
.05	2	4714C0661	crumb cup "only" (wht. threaded)
.25		4730E3151	crumb cup & basket
.40	3	4757-0861	elbow pkg.
.40	3A	4713-0061	straight sink adapter pkg.
		4757-9131	1 1/4" rubber washer
	4	4715-4501	1 1/4" hose clamp
.80	5	4060012503P	1 1/4" drain hose pkg. (10' pc.)
<b>Note: must cut hose to length</b>			
.75	6	4759B5411	drain trap assy. 3956
.75		4769-6941	drain trap assy. 3943, 3988
	7	4757-0921	1 1/2" metal nut "white"
.10	8	4714A2861	cap & strap
	9	4737-9138	drain adapter
.40	10	4757A0871	adaptor 1 1/4" barb



Flat Rate	Code	Part #	Description
.15	1	4749F6601	stove cover assy.
.15	2	4746B9491	2 burner cook top "white"
.05	3	4716-2631	stove top screw/washer m2
.05	4	4752A9881	stove grate x3
.10	5	4716-2671	stove cover hinge
.15	6	4733-4018	stove cover latch
.15		4733-4028	stove cover strike
.05	7	4716A1861	knob
	8	4732A2291	edge molding m2
.25	9	4716-2661	stove fin "right"
.25		4716-2651	stove fin "left"
.15	10	4716-2641	stove fin stay brkt. m2
.75	11	4748D2581	2 burner stove box

Flat Rate	Code	Part #	Description
.50	1	4756C8461	table top 30" x 39" 3943, 3988
.50	1	4759B3931	table top 41" x 27 1/4" 3956
.30	2	4060475002P	t-molding pkg. (14' pc.)
.50	3	4745K5271	table leg package
Note: pkg. includes 2 legs & required mounting hardware			
.10	4	4751A9711	strap & screw pkg.
.10	5	4752-0551	white plastic cap m2
.15	6	4720F1211	table leg mounting brace m2
		1103E1018	5/8" wood screw
.15	7	4752A0561	table leg insert cap m2
.25	8	4744-6971	lock brace assy. x2
		1103E1018	5/8" wood screw
.15	9	4756-8741	table top plastic spacer m4
		1103B08148	7/8" screw (x2 per spacer)
.05	10	4724D2631	velcro fastener m4

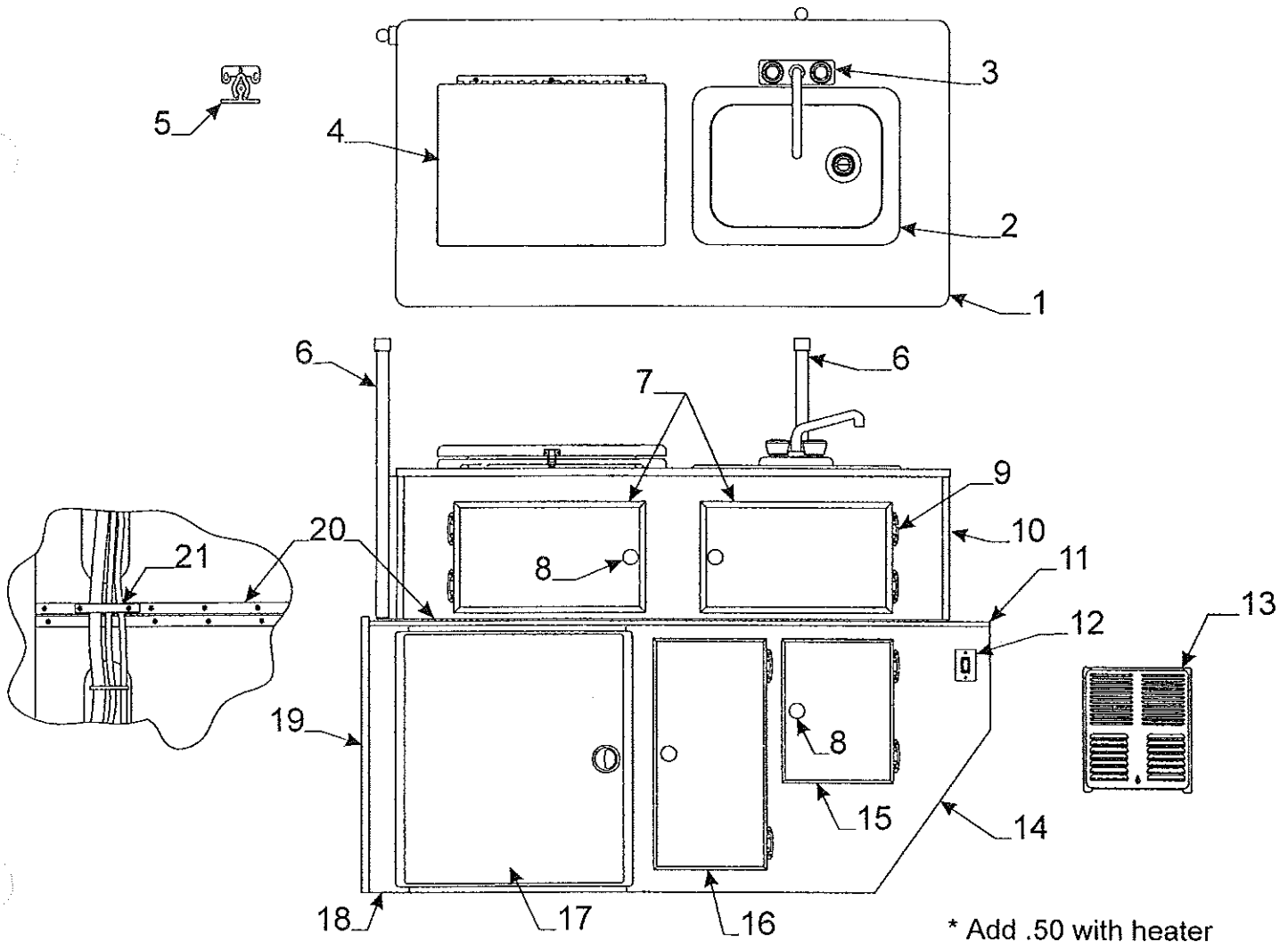




\* Add .50 with heater

**Upper & Lower Galley Assy. Components - 3943 Tucson**

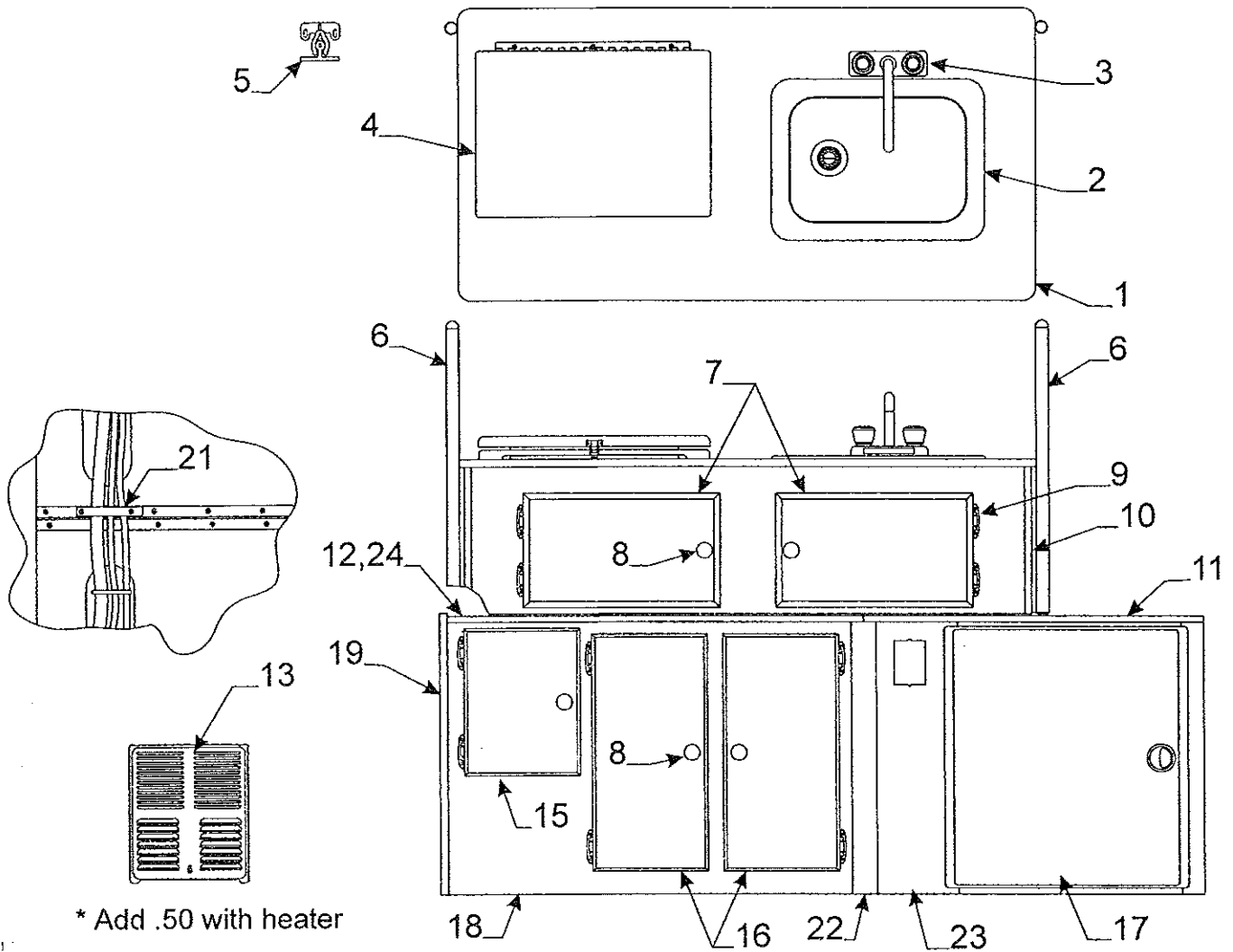
Flat Rate	Code	Part #	Description	Flat Rate	Code	Part #	Description
1.00	1	4759C9231	upper galley top	1.25	11	4759B9271	lower galley top
.30		4060475002P	t-molding pkg. (14' pc.)	.20		4746C0971	kill switch m4
.30	2	4710F0301	sink	.20	12	4733C4981	rocker switch (elec. pump)
			Note: refer to page 10 for sink components	.10	13	4743-3551	furnace grill
.40	3	4767-3301	hand pump	1.50	14	*4759A9291	lower galley frt. (rt.)
.15	4		Note: refer to page 11 for stove components	.15	15	4759A9311	door panel 10 1/4" x 14"
.15	5	4744A9261	knuckle latch m4	.15		4733-6391	latch & strike pkg.
		4738-3088	screw x2	.15	16	4758A4041	door panel 12" x 9 1/8"
.25	6	4759A9201	galley rest pole	.25	17	4754A0481	built-in cooler
		4752-0551	plastic cap m2	.75	18	4759A9301	lower galley frt. (lt.)
.15	7	4767A0451	door panel - 16 3/4" x 9 1/4"	.75	19	4759A9281	lower galley seat gazoodi
.15		4733-6391	latch & strike pkg.	.50	20	4747A9671	hinge
.10	8	4748C3951	door pull (includes screw)		21	4716-9691	hose strap pkg.
.10	9	4762-4878	hinge	.25	22	4754B0901	galley rest (plastic)
.65	10	4716F0151	3/8" f-channel 24" pc.	.10	23	4746A5421	pump hold down pkg.



\* Add .50 with heater

**Upper & Lower Galley Assy. Components - 3956 Yuma**

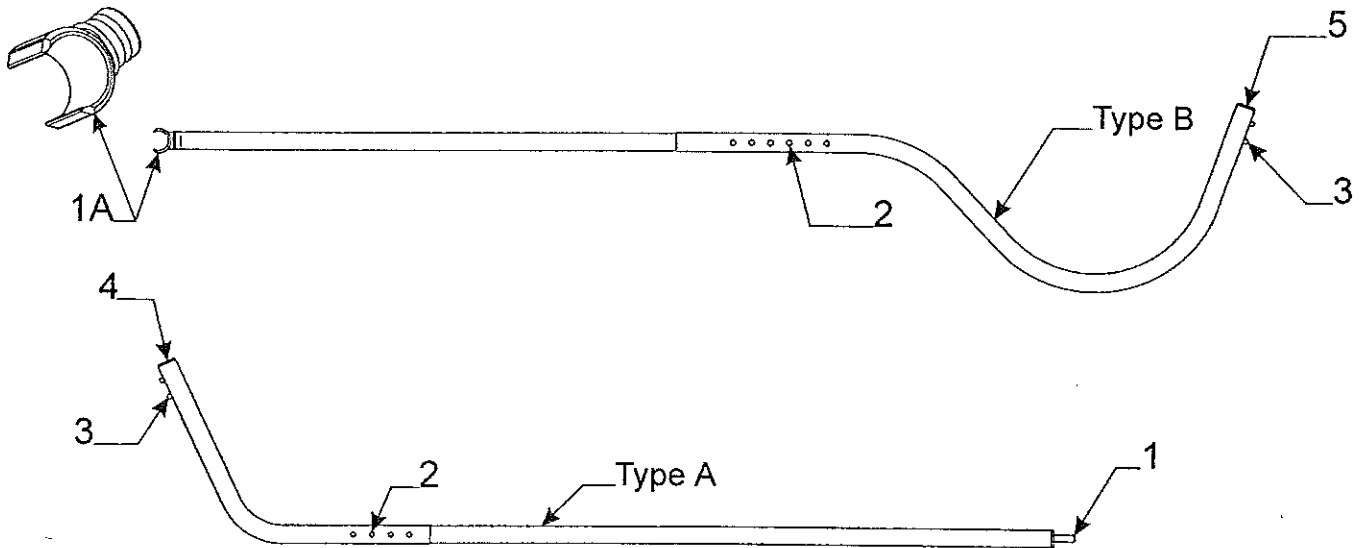
Flat Rate	Code	Part #	Description	Flat Rate	Code	Part #	Description
1.00	1	4759E3331	upper galley top	.65	10	4716F0151	3/8" f-channel 24" pc.
.30		4060475002P	t-molding pkg. (14' pc.)	1.25	11	4759D2611	lower galley top
.30	2	4710F0301	sink	.20		4746C0971	kill switch m4
			Note: refer to page 10 for sink components	.20	12	4733C4981	rocker switch (elec. pump)
.40	3	4745E2741	mixer faucet	.10	13	4743-3551	furnace grill
		4758-8508	dual facet use decal	1.50	14	*4759D2641	lower galley frt. (rt.)
.15	4		Note: refer to page 11 for stove components	.15	15	4758A4041	door panel 12" x 9 1/8"
	5	4744A9261	knuckle latch m4	.15		4733-6391	latch & strike pkg.
		4738-3088	screw x2	.15	16	4759A3411	door panel 19 1/4" x 9 1/4"
.25	6	4757B2991	galley rest pole	.25	17	4754A0481	built-in cooler
		4752-0551	plastic cap m2	.75	18	4759D4051	lower galley frt. (lt.)
.15	7	4754C1481	door panel - 15 3/4" x 9 1/4"	.75	19	4759B4111	lower galley seat gazoodi
.15		4733-6391	latch & strike pkg.	.50	20	4757-2621	hinge
.10	8	4748C3951	door pull (includes screw)		21	4716-9691	hose strap pkg.
.10	9	4762-4878	hinge				



**Upper & Lower Galley Assy. Components - 3988 Sea Pine**

Flat Rate	Code	Part #	Description	Flat Rate	Code	Part #	Description
1.00	1	4759E3331	upper galley top	1.25	11	4767-1911	lower galley top (rt.)
.30		4060475002P	t-molding pkg. (14' pc.)	.20		4746C0971	kill switch m4
.30	2	4710F0301	sink	.20	12	4733C4981	rocker switch (elec. pump)
		<b>Note: refer to page 10 for sink components</b>		.10	13	4743-3551	furnace grill
.40	3	4745E2741	mixer faucet	1.50	14	*4767A1921	lower galley frt. (rt.)
		4758-8508	dual facet use decal	.15	15	4758A4041	door panel 12" x 9 1/8"
	4	<b>Note: refer to page 11 for stove components</b>		.15		4733-6391	latch & strike pkg.
.15	5	4744A9261	knuckle latch m4	.15	16	4759A3411	door panel 19 1/4" x 9 1/4"
		4738-3088	screw x2	.25	17	4754A0481	built-in cooler
.25	6	4757B2991	galley rest pole	.75	18	4759A4301	lower galley frt. (lt.)
		4752-0551	plastic cap m2	.75	19	4759A4241	lower galley seat gazoodi
.15	7	4754C1481	door panel - 15 3/4" x 9 1/4"	.50	20	4757-2621	hinge
.15		4733-6391	latch & strike pkg.		21	4716-9691	hose strap pkg.
.10	8	4748C3951	door pull (includes screw)	.25	22	4758-9131	lower galley molding
.10	9	4762-4878	hinge	.75	23	4767-1901	lower galley frt.
.65	10	4716F0151	3/8" f-channel 24" pc.	1.25	24	4767-1891	lower galley top (lt)

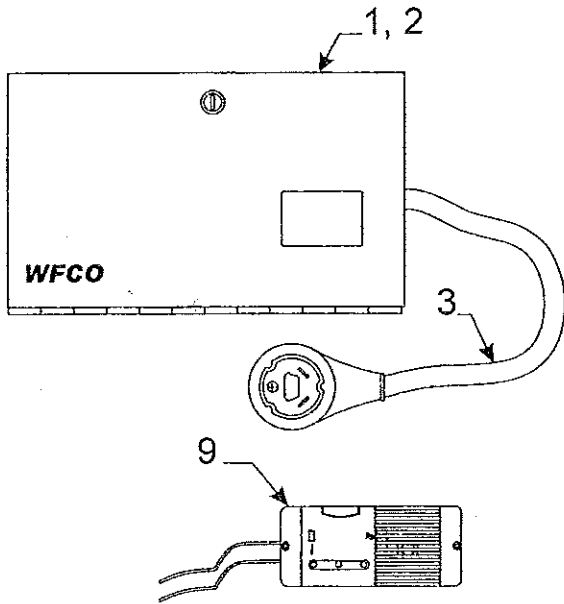




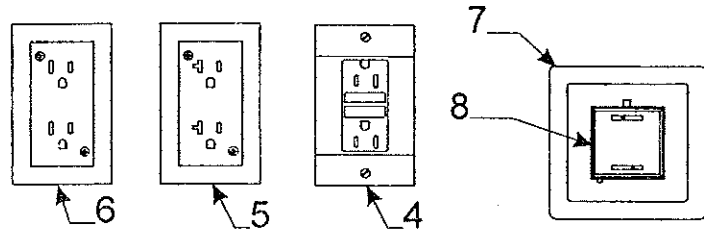
Tent Support Components			
Flat Rate	Code	Part #	Description
.20	1	8470-1728	pole pin "black" m10
.20	1A	4757-4301	tent support clasp m10
.10	2	4734-6708	spring assy.
.10	3	4734A6708	spring assy.
.10	4	4730B4648	tube closure "white"
.10	5	4752A0561	tube closure "black" m2

Tent Support Assemblies (Complete)				
Flat Rate .10 per Tent Support				
Model	Type	Front Bed	Type	Rear Bed
3943 Tucson	A	4754A7511	A	4754A7501
3956 Yuma	B	4759A6891	B	4769A5641
3988 Sea Pine	B	4769A5641	B	4759A6891

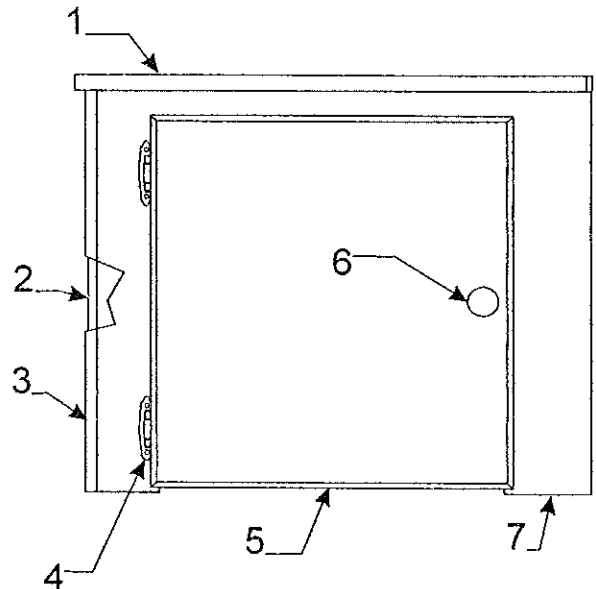
**WORLD FRIENDSHIP CO., LTD**  
 Warranty: 800-900-2468

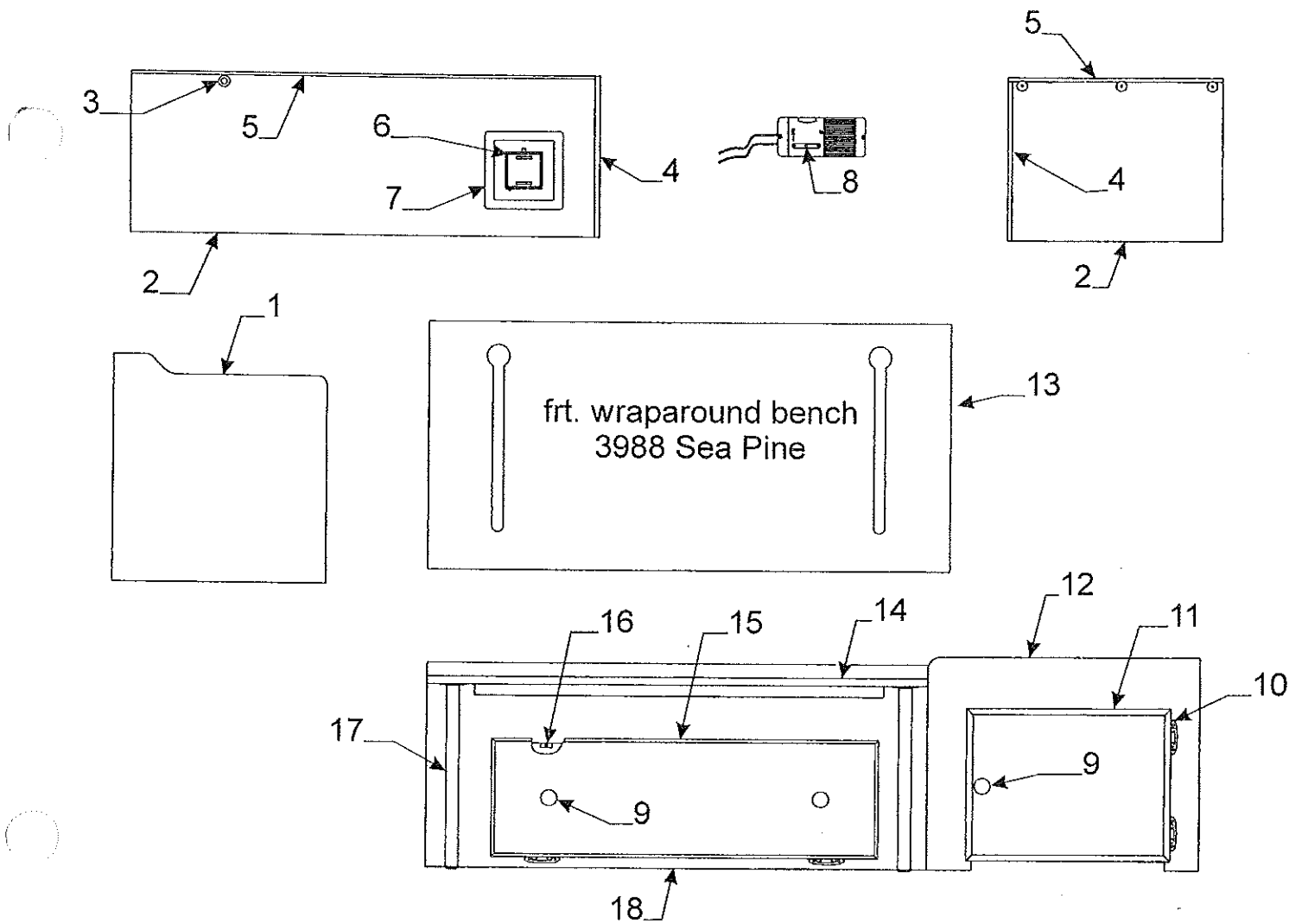


Flat Rate	Code	Part #	Description
1.00	1	4753D8201	converter 25 amp WFCO
.15	2	4716B1301	converter face cover (metal)
.15		4716C1301	converter face cover (plastic)
.60	3	4744A3101	power cord 31 ft.
.35	4	4746B3841	15 amp GFI receptacle w/cover (wht.)
.35		4755-8321	20 amp GFI receptacle w/cover (wht.)
.20	5	4752-2371	20 amp receptacle w/cover (wht.)
.20	6	4752-2361	15 amp receptacle w/cover (wht.)
		4746A3851	receptacle box
	7	4752A8461	thermostat
.20	8	4747-8391	plastic base & bracket
.25	9	4753C9171	lp gas detector



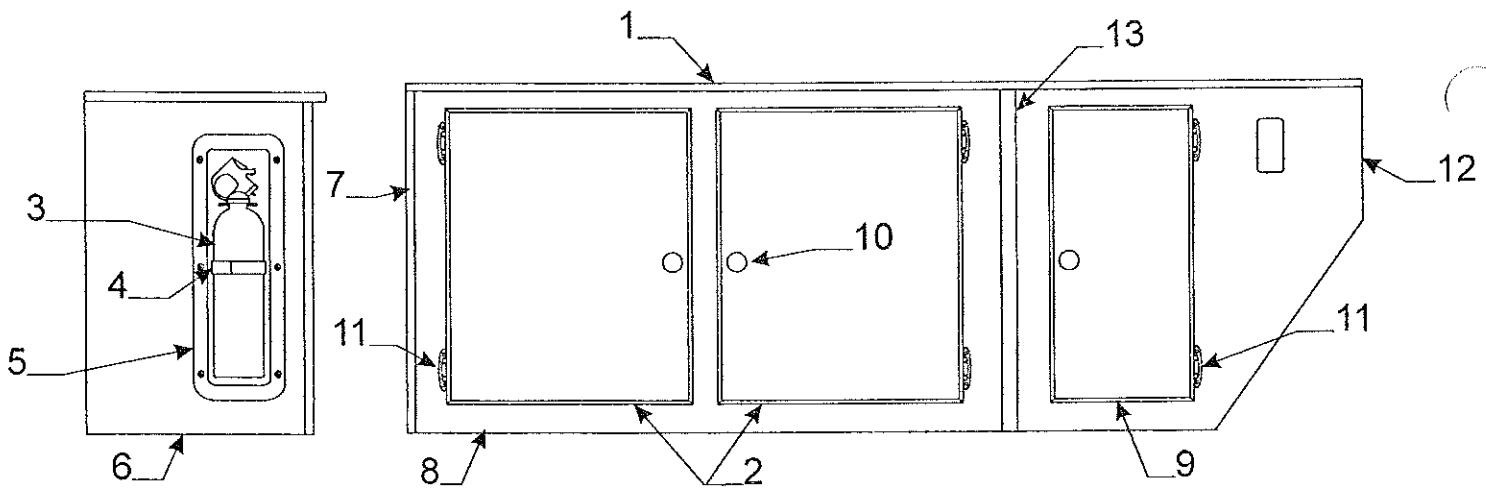
Flat Rate	Code	Part #	Description
.25	1	4759A9731	cabinet top 3943
.25		4759A2531	cabinet top 20" x 24" 3956
.25		4759B2531	cabinet top 21 3/4" x 28" 3956
.30		4060462506P	t-molding pkg. (10' pc.)
.30	2	4759A925	cabinet side 3943
.30		4759D254	cabinet side 22 1/4" x 23"
.30		4759E254	cabinet side 21" x 27"
.35	3	4716F0151	3/8" f-channel 24" pc.
.10	4	4762-4878	hinge
.15	5	4759A9221	door pnl. 15 1/4" x 18"
.15		4758B4671	door pnl. 16 5/8" x 17"
.15		4733-6391	latch & strike pkg.
.10	6	4748C3951	door pull (includes screw)
.50	7	4759B926	cabinet front 21" x 21 1/8"
.50		4759B252	cabinet front 22 1/4" x 19"





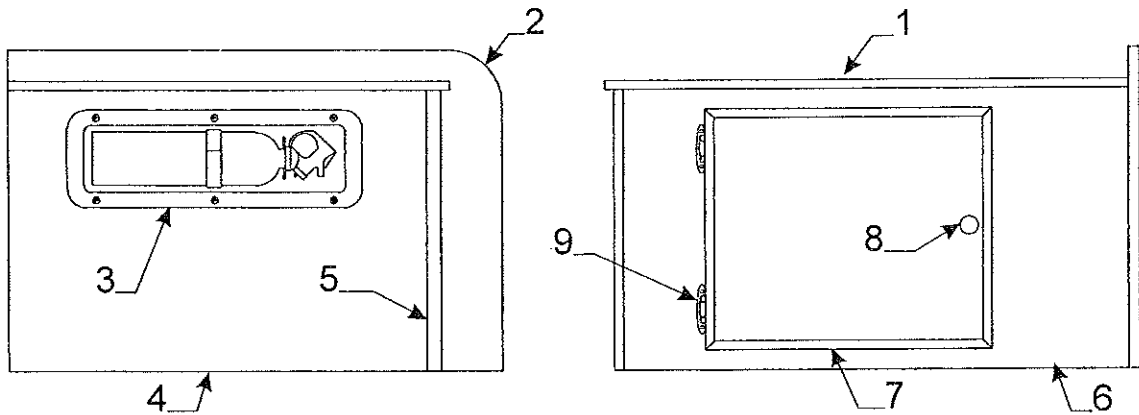
\* Warranted Through Vendor

Flat Rate	Seat Bench Component Parts Code	Part #	Description
.30	1	4759A9161	seat end curbside bench 3943
.30		4759A9281	seat end roadside bench 3943
.30		4060400091P	t-molding 5/8" lipped (12' pc. pkg.)
.50	2	4714-6951	universal panel 48" x 48"
.05	3	4724-2608	stop button
		1103B1012	#10 - 3/4" screw
.35	4	4716B1421	5/32" f-channel 24" pc.
.50	5	4060015603P	5/32" u-channel 48" pc.
*	6	4752A8461	thermostat
.20	7	4747-8391	plastic base & bracket
.25	8	4753-9171	lp gas detector
.10	9	4748C3951	door pull w/screws
.10	10	4762-4878	hinge
.15	11	4767-2011	door pnl. 16" x 12 1/4" 3988
.30	12	4767-2041	seat end curbside bench 3988
.40		4767-195	bench wood w/slots 3988
	14	4754-7581	pull-out platform 3988
.15	15	4767-2001	door pnl. 30 1/4" x 9 1/4"
.15	16	4766-0371	roller latch
.25	17	4767A1931	platform leg 3988
.05		4752-0551	plastic end cap m2
1.00	18	4767-194	bench front



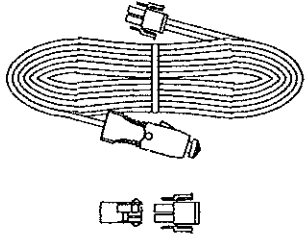
**Curbside Hutch Assy. 3956 Yuma**

Flat Rate	Code	Part #	Description	Flat Rate	Code	Part #	Description
.75	1	4759B3941	hutch top	.65	7	4716F0151	3/8" f-channel 24" pc.
.30		4060462508P	t-molding pkg. (14' pc.)	.50	8	4759B3961	hutch front "lt."
.15	2	4759A2631	door pnl. 19 1/4" x 15 3/4"	.15	9	4759A3411	door panel 19 1/4" x 9 1/4"
.10	3	4737A5558	fire extinguisher	.10	10	4748C3951	door pull (includes screws)
.05	4	4716-1191	fire extinguisher strap m2	.10	11	4762-4878	hinge
.15	5	4737B4198	recessed mount	1.00	12	4759C3971	hutch front "rt."
		4738-3088	screw x6	.50	13	4757-812	3/8" h-channel connector
.55	6	4759A3951	hutch side				

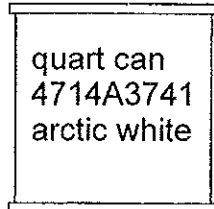


Flat Rate	Code	Part #	Description	Flat Rate	Code	Part #	Description
.75	1	4759A4221	cabinet top	.65	5	4716F0151	3/8" f-channel 24" pc.
.30		4060462508P	t-molding pkg. (14' pc.)	.50	6	4759A4211	cabinet front
.35	2	4759C4251	gazoodi	.15	7	4759A3421	dr. pnl. 15 3/4" x 13 1/2"
	3	Note: refer to above for fire extinguisher...		.10	8	4748C3951	door pull (includes screws)
.55	4	4759A4231	cabinet side	.10	9	4762-4878	hinge

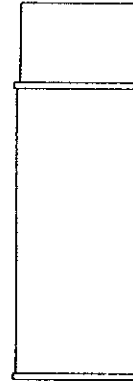
4733D6701 auto extension



4716A4701 12 volt cap & plug m2



quart can  
4714A3741  
arctic white

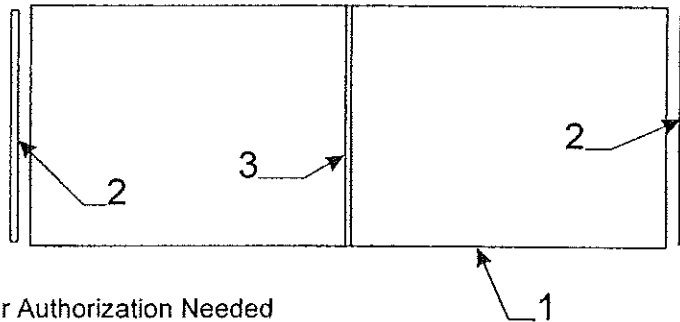


16 oz. spray

0008-2561 arctic white  
0008-2641 black "textured"  
0008-2571 black  
0008-2681 windsor birch

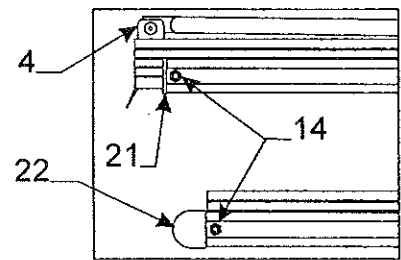
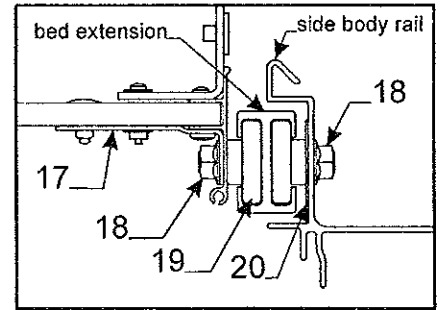
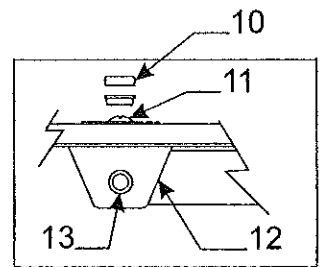
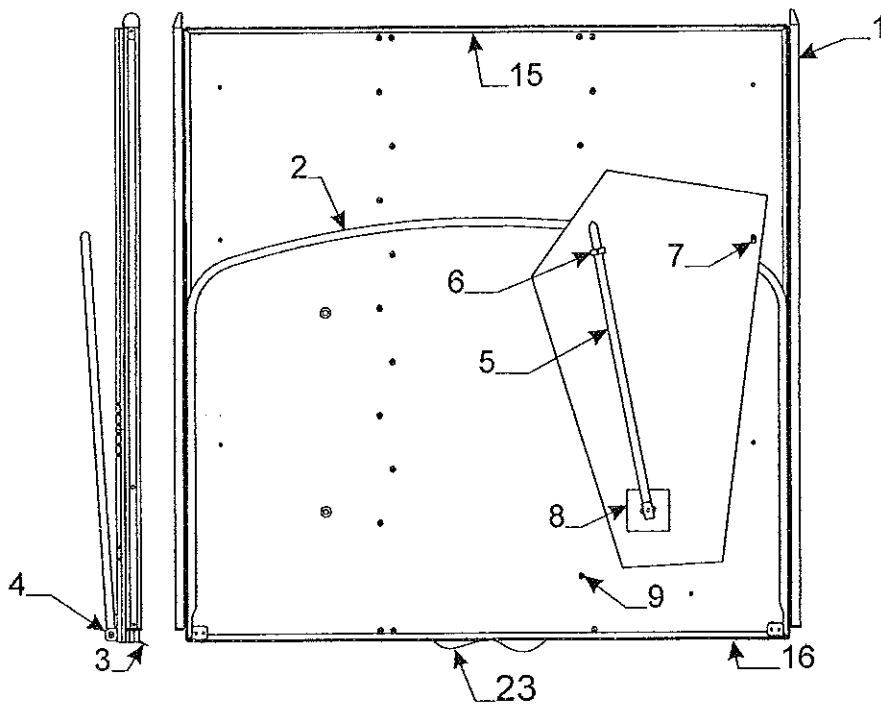


4745C3908  
caulking  
arctic white



\* Prior Authorization Needed

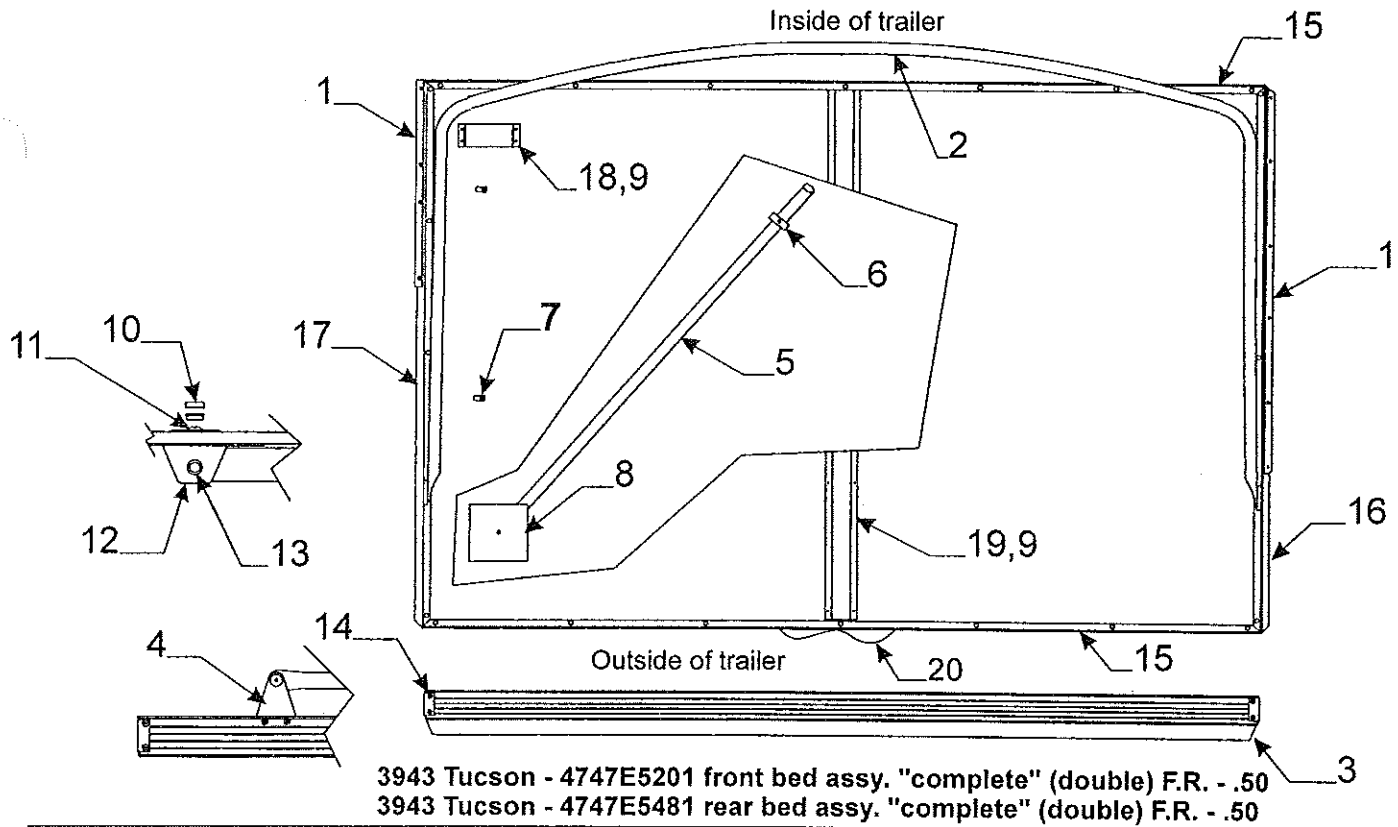
Flat Rate	Paneling & Trim (Must Cut To Size)		
	Code	Part #	Description
*	1	4714-6951	universal wall panel 48" x 48"
*	2	4716C1321	universal corner divider m2 48" pc.
*	3	4716C1331	universal panel divider m2 48" pc.



- 3956 4769-5471 Front Bed Assy. "Complete" (Double) F.R. - .75
- 3956 4769-5481 Rear Bed Assy. "Complete" (Double) F.R. .75
- 3988 4769-5751 Front Bed Assy. "Complete" (Queen) F. R. - .75
- 3988 4769-5481 Rear Bed Assy. "Complete" (Queen) F.R. - .75

Flat Rate	Front/Rear Bed Assy. Components
**	Code Part # Description
	1 4716U4031 bed extension (x2 per bed) Note: must cut to size if needed for rear bed assy.
.25	2 4714C1901 tent bow/leg package
.25	3 4060300339P vinyl bed seal pkg. (8' pc.)
.15	4 4720K5631 bed bow bracket M2
.05	4757-9241 1 1/2" nylon fender washer m4
.20	5 4734E5881 bed leg assy. m2 (x2 front beds)
.20	4753-3811 bed leg assy. (x2 rear beds)
.15	6 4720C0771 bed leg clip m4
	1203-8831 rivet m25 (rivet clip to bed)
.15	7 4720D4021 lashing hook m6
	1203-8741 rivet m25 (rivet hook to bed)
.20	8 4737A4178 support plate
	9 1203C8721 rivet m25
	10 4739E2908 screw cap m10
	4739-2918 screw cap washer m10
	11 4716-074 screw
	1202B2528 washer
.20	12 4734A5141 bed leg bracket
	13 4720A2361 rod & pal nut
.20	14 1034B16128 flat head screw
	1201B6378 lock nut
1.50	15 4759-229 inside bed frame (Double bed)
1.50	4759-233 inside bed frame (Queen bed)
1.50	16 4759-230 outside bed frame (Double bed)
1.50	4759-233 outside bed frame (Queen bed)
.20	17 4755A2591 bed brkt. w/mounting hardware x4
	18 4739-2298 lock nut
.50	19 4754-8101 bed roller, nut, bolt, & washer pkg.
	20 1202B2908 washer
.15	21 4754-8631 bed slide end cap
.15	22 4754-4821 bed slide wedge
.20	23 4758-9481 pull-out handle strap & rivets
	4758-8001 rivet "black" m25

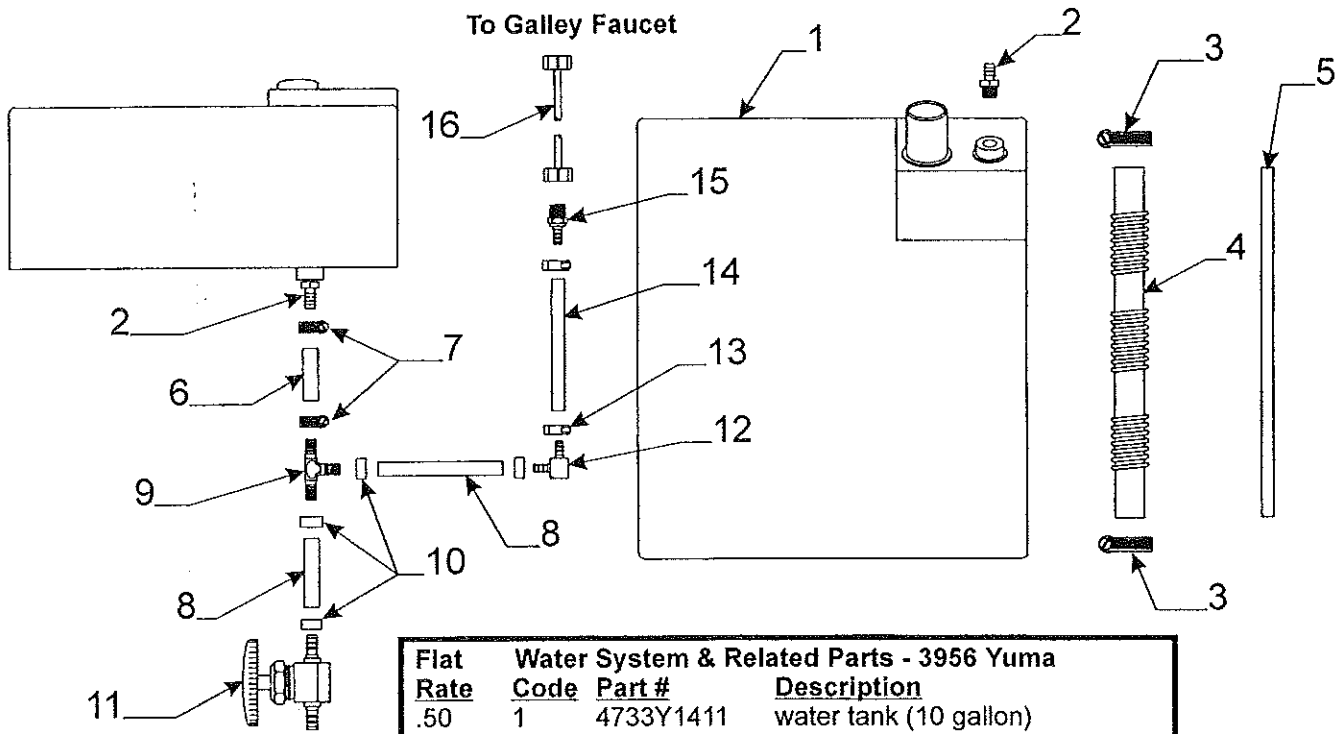
\*\* .50 first extension  
\*\* .25 second extension



Flat Rate	Code	Part #	Description	Flat Rate	Code	Part #	Description
.40	1	4747C4051	plastic bed slide 18"			4739-2918	screw cap washer m10
.40		4747C3691	plastic bed slide 40"		11	4716-074	screw
		4752-3061	rivet m25			1202B2528	washer
.25	2	4714A1901	tent bow/leg package	.20	12	4734A5141	bed leg bracket
.25	3	4060300339P	vinyl bed seal pkg. (8' pc.)		13	4720A2361	rod & pal nut
.15	4	4720G5631	bed bow bracket x2	.20	14	4747A3221	corner angle x4
.20	5	4734E5881	rear bed leg assy. m2			1203-8641	rivet m25
.20		4750-6171	front bed leg assy. x2	.50	15	4747A3241	front & rear bed frame
.15	6	4720C0771	bed leg clip m4	.60	16	4747A3231	side rail csr/rsf
		1203-8831	rivet m25	.60	17	4749A8151	side rail csf/rsr
.15	7	4720D4021	lashing hook m6	.20	18	4749A4891	bed stop
		1203-8741	rivet m25	.40	19	4747A1161	bed channel
.20	8	4737A4178	support plate	.20	20	4758-9481	pull-out strap & rivets
	9	1203C8721	rivet m25			4758-8001	rivet "black" m25
	10	4739E2908	screw cap m10				

Mattress Assemblies & Covers Flat Rate .50 per cover			Flat Rate .10 Matt assy.		
Model	Frnt. Matt. assy.	Frnt. Matt. Cover	Model	Rear Matt. assy.	Rear Matt. Cover
3943 Tucson	4754-7491	4714-7491	3943 Tucson	4754-7481	4714-7481
3988 Sea Pine	4769A8681	4714A8681	3988 Sea Pine	4769A8681	4714A8681
3956 Yuma	4769A8691	4714A8691	3856 Yuma	4769A8681	4714A8681

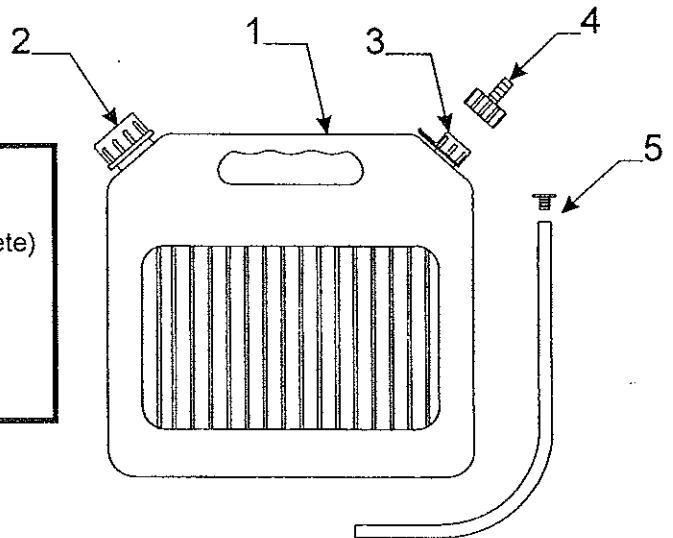
Mattress Assembly Dimensions		
Model	Frnt. Matt. Assy.	Rear Matt. Assy.
3943 Tucson	72" x 55 1/2" x 3 1/2"	72" x 39 1/2" x 3 1/2"
3956 Yuma	77" x 48" x 3 1/2"	77" x 66" x 3 1/2"
3988 Sea Pine	77" x 66" x 3 1/2"	77" x 48" x 3 1/2"



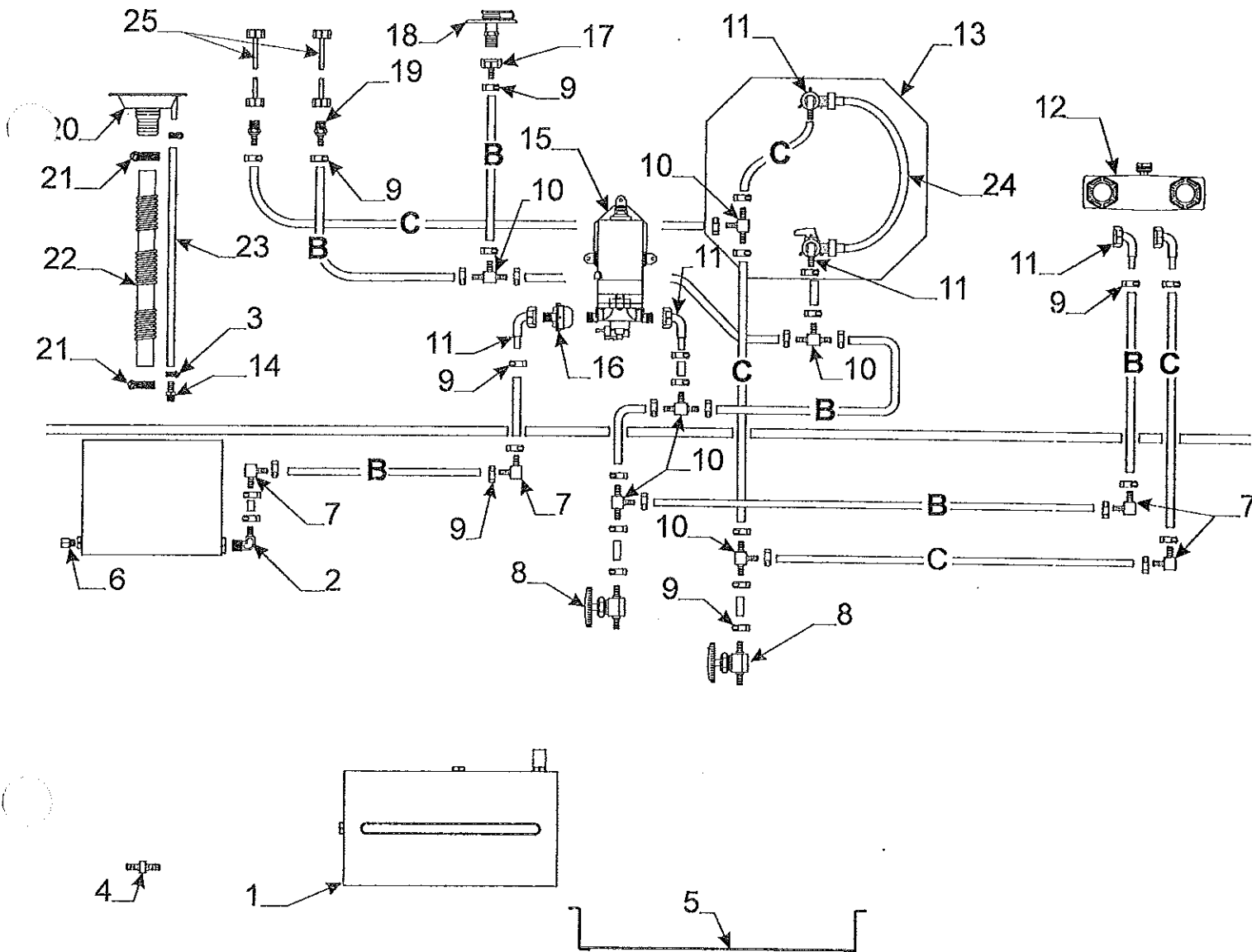
Flat Rate	Code	Part #	Description
.50	1	4733Y1411	water tank (10 gallon)
.15	2	4732C4561	hose adapter
	3	4715-4501	1 1/4" hose clamp
.35	4	4731H1081	water fill hose 24" pc.
	5	4060050003F	1/2" h.p. hose (sold/foot)
	6	4714-038	3/8" h.p. hose (sold/foot)
	7	4731-3058	adjustable hose clamp
	8	4060050006P	pex tubing "cold" (20' pc. pkg.)
.25	9	4741C2381	barbed tee "brass" M10
	10	4741A2751	stainless steel clamp M100
.20	11	4741D2361	line drain "brass"
.25	12	4741C2381	brass tee "Pex" m10
.25	13	4741A2751	stainless steel clamp m100
	14	4060050006P	pex tubing "cold" (20' pc. pkg.)
.20	15	4757-3631	brass adapter 3/8" barb "Pex"
	16	4757-3711	52" pex riser

Note: Refer to opposite page for electric water pump...

Flat Rate	Code	Part #	Description
.10	1	4735-2131	water tank 5 gal. (complete)
		4735C0988	water tank decal
	2	4714-0231	large cap
	3	4714-0221	small cap & strap
	4	4714-0241	barb stem & collar
	5	4714A0671	suction stem





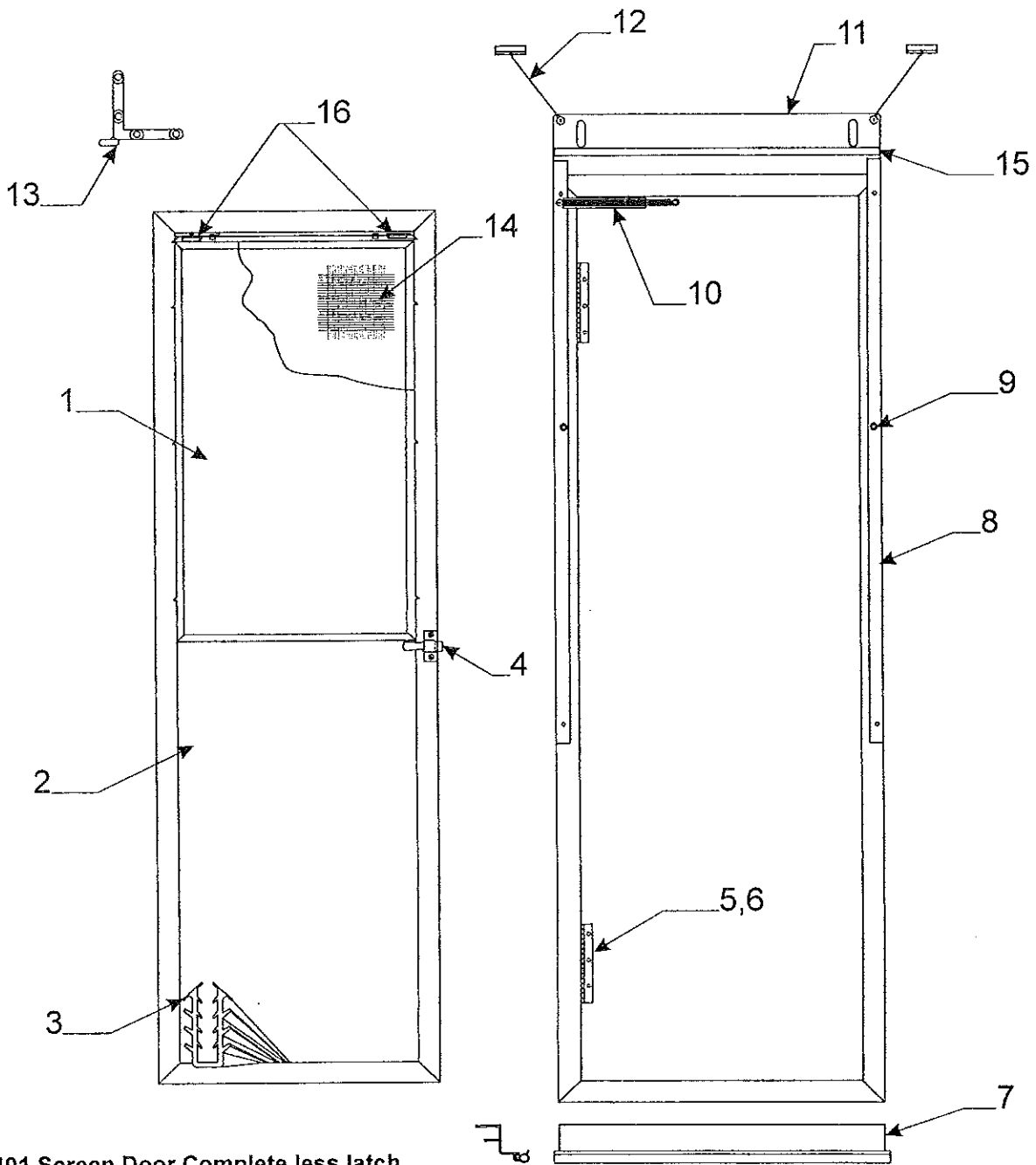


B 4060050006P 3/8" I.D. Pex tubing "cold" (20' pc. pkg.)  
 C 4060050007P 3/8" I.D. Pex tubing "hot" (20' pc. pkg.)

4714-038 3/8" I.D. High pressure hose (sold/foot)

Flat Rate	Water System & Related Parts	Flat Rate	
Code	Part # Description	Code	Part # Description
1.50	1 4757B0521 water tank 3988 Sea Pine	.15	14 4732B4561 hose adapter
.25	2 4741C2371 elbow "plastic"	.50	15 4741D5571 electric water pump
	3 4731-3058 adjustable hose clamp 3/8"	.25	16 4747A8311 water filter
	4 4755-4821 brass barbed union m10	.20	17 4741A9561 female adapter "copper"
.20	5 4758-5381 tank hanger x2 (all)	.30	18 4732F1521 city fill
.15	6 1218-7001 plug	.20	19 4757-3631 brass adapter 3/8" barb "Pex"
.25	7 4741C2391 brass elbow "Pex" m2	.30	20 4731D1711 fill spout
.20	8 4741E2361 brass line drain "Pex"	.35	21 4715-4501 adjustable hose clamp
.25	9 4741A2751 stainless steel clamp m100	.20	22 4731H1081 water fill hose (3' pc.)
25	10 4741C2381 brass tee "Pex" m10	.20	23 4060050003F 1/2" h.p. hose (sold/ft.)
.20	11 4741B9061 copper swivel elbow		24 4765-9971 water heater bypass kit
.50	12 4741B2071 shower diverter		25 4757-3671 48" pex riser
*	13 4750-3421 water heater		

\* Warranted By Vendor



**4701-5401 Screen Door Complete less latch**

.30 Flat Rate Screen Door Complete

Note: parts marked w/\* asterisk are not included w/screen door

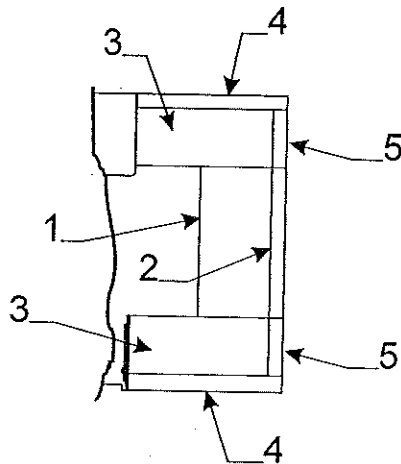
Flat Rate	Code	Part #	Description	Flat Rate	Code	Part #	Description
.10	1	4716E3401	top sliding window pane	.05	9	4730A3548	stud w/screw x2
.40	2	4754B1541	stationary window pane	.20	10	4731A8201	spring package
.15	3	4060000086F	rubber seal (sold/foot) Note: around perimeter of window pane	.30	11	4758B0571	top bracket
.15	4	*4772-2901	door latch assembly	.15	12	4734D5211	cabl assy. m6
.15	5	4720C3601	hinge x2	.50	13	4710-3791	corner brace hinge m2
	6	1203-8641	rivet m25		14	4716-1381	screened stationary pane
.25	7	*4747B5621	screen door support	.75		4716-1111	screening 36" x 18 1/2"
.20	8	4754-3811	vel-stick (pkg. of 2)	.10	15	4060000023P	d-seal "white" (5' pkg.)
				.50	16	4716-3811	window lock pkg. rt./lt.

**Dinette Area Cushion/Backrest Assemblies & Covers - 2005 Destiny Series Flat Rate .10 Assembly - .25 Cover**

Model	Cushion Assembly	Cushion Cover	Model	Backrest Assembly	Backrest Cover
943 Tucson	4759A8821	4714A8821	3943 Tucson	4759A8831	4714A8831
3956 Yuma	4759C8921	4714C8921	3956 Yuma	4759B8931	4714B8931
3988 Sea Pine	4759A8991	4714A8991	3988 Sea Pine	4759A8901	4714A8901

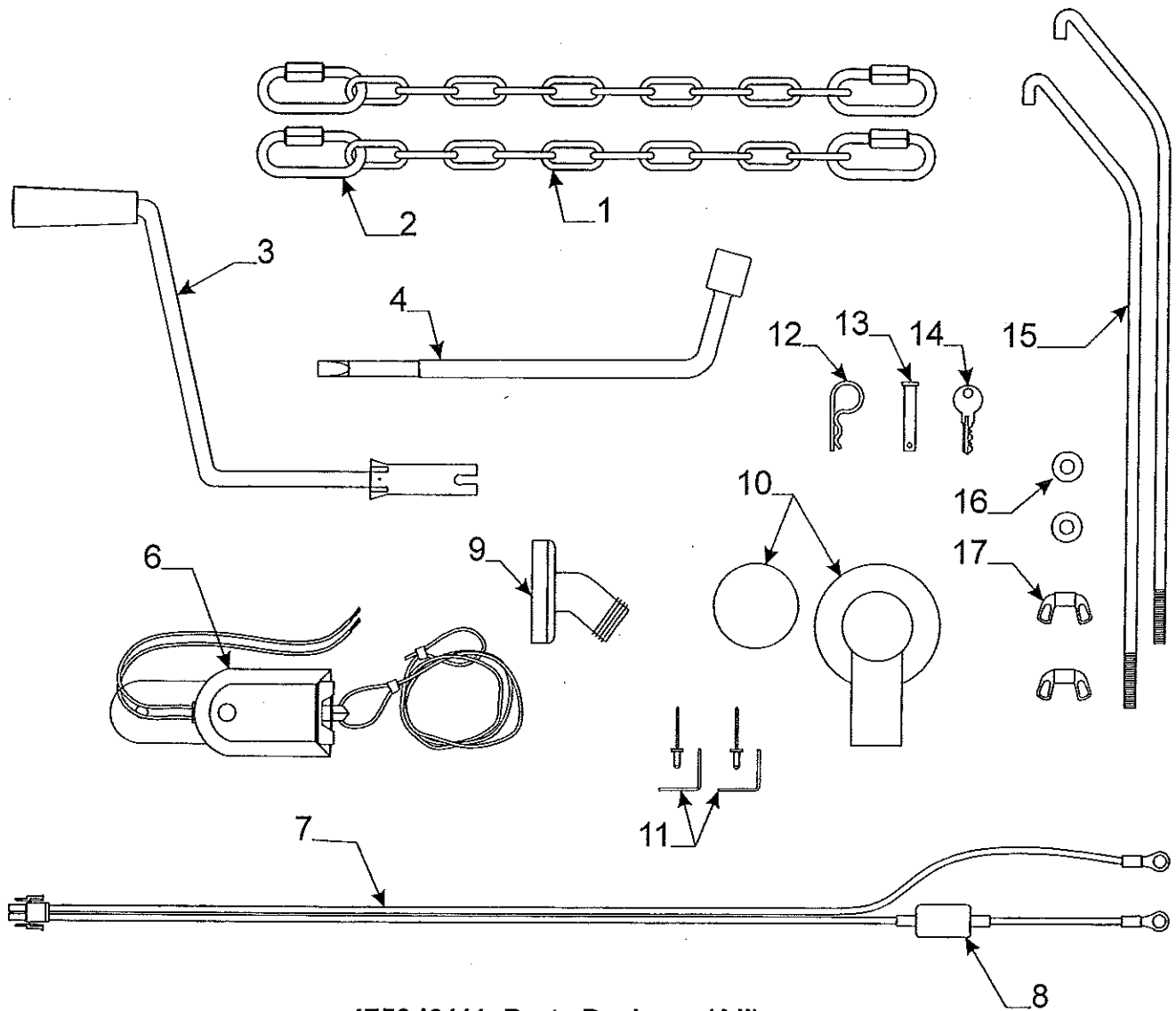
<b>Dinette Cushion/Backrest Dimensions</b>		
Model	Cushion Assembly	Backrest Assembly
3943 Tucson	40 5/8" x 23 3/8" x 4"	40 5/8" x 113 1/8" x 4"
3956 Yuma	40" x 17 1/4" x 4"	40" x 16 3/4" x 4"
3988 Sea Pine	40 5/8" x 15" x 4"	39 1/2" x 14" x 4"

Plastic Cushion Button x2 - 4710-2681 m5



Flat Rate	Cushion & Backrest Assy.'s - 3988 Sea Pine	Code	Part #	Description
.10	1	4754-7711	cushion assy. 40 1/2" x 22" x 4"	
.25		4714-7711	cushion cover	
.10	2	4754-7721	backrest assy. 40 1/2" x 13" x 4"	
.25		4714-7721	backrest cover	
.10	3	4754-7731	cushion assy. 35 1/2" x 20" x 4"	
.25		4714-7731	cushion cover	
.10	4	4754-7741	backrest assy. 35 1/2" x 13" x 4"	
.25		4714-7741	backrest cover	
.10	5	4754-7751	backrest assy. 15" x 13" x 4"	
.25		4714-7751	backrest cover	

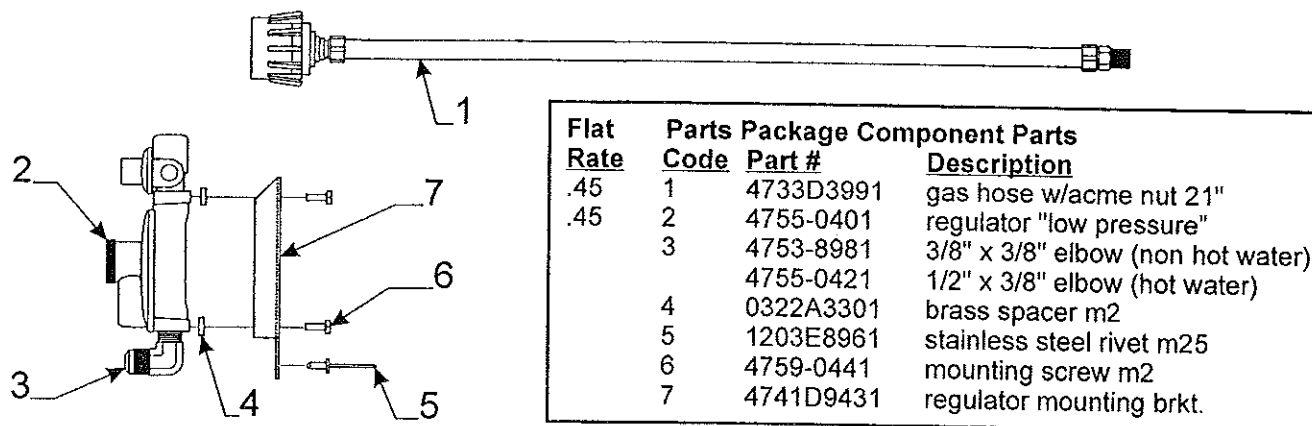
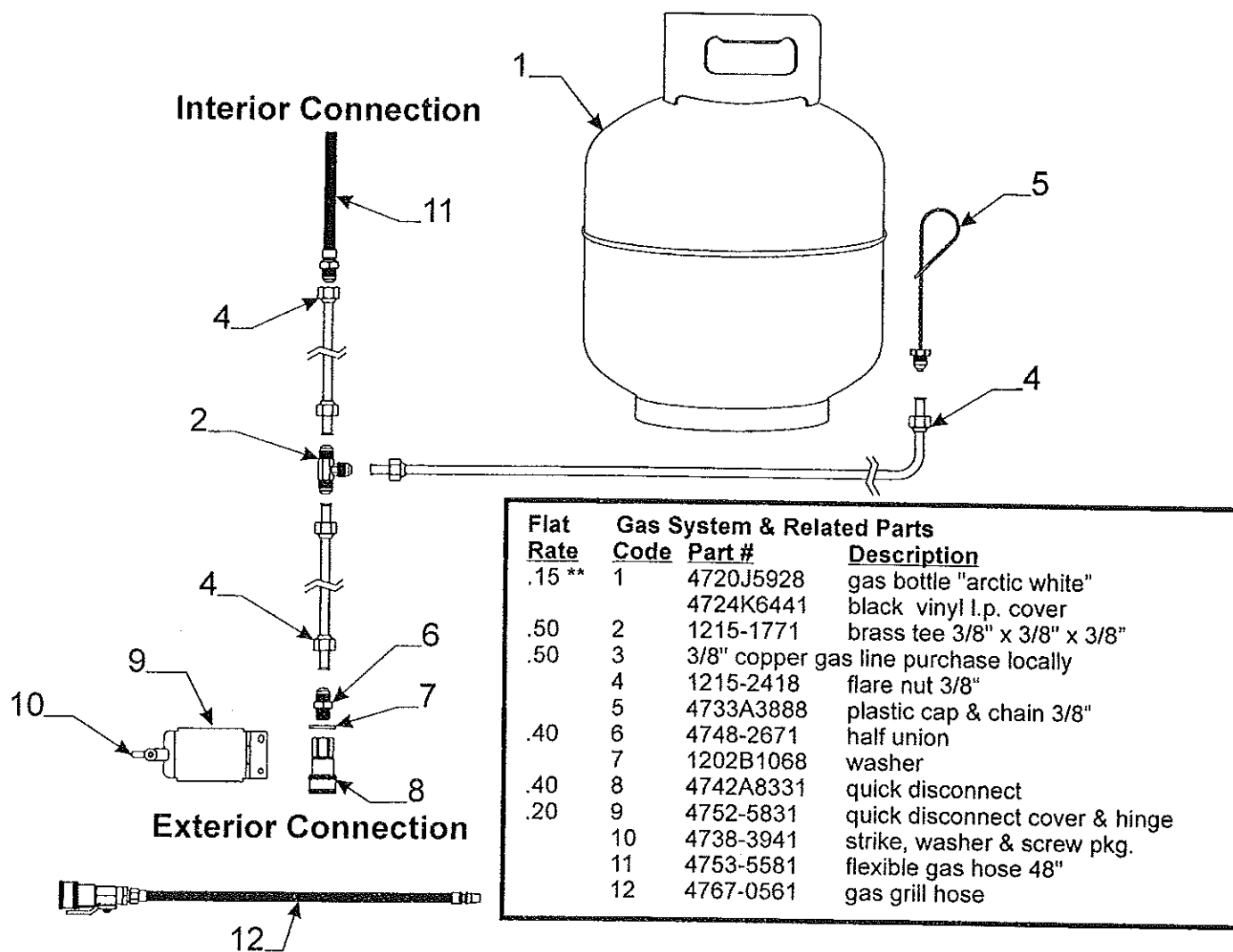
<b>Drape Package (Less Valance Pkg.)</b>			
Note: Package includes privacy curtains			
Model	Drape Pkg.	# Of Panels	Flat Rate
3943 Tucson	4724R8361	8	.30
3956 Yuma	4767C5821	8	.30
3988 Sea Pine	4769A5931	9	.30
<b>Drape Tab C-Shape m60 - 4750-2891 Flat Rate - .05</b>			
<b>Privacy Curtain Pkgs. (Set of 2 Panels)</b>			
.15	4723L7901 - 3956, 3988		
.15	4723R7881 - 3943 Tucson		
<b>Single Drape Panel w/Safety Straps</b>			
.15	4716E8731	Single Drape Pnl. 48" x 42 1/2" - 3943 Tucson	
.15	4716E8741	Single Drape Pnl. 23 1/2" x 42 1/2" - 3943 Tucson	
.15	4716D8751	Single Drape Panel 52" x 44" - 3956 Yuma	
.15	4716F8721	Single Drape Panel 35" x 44" - 3956, 3988	
.15	4716E8711	Single Drape Panel 43" x 44" - 3988	
<b>Drape Tie Package (Qty. 1) - 4753H9801 (all) Flat Rate - .05</b>			
<b>Valance Package - 4755G2761 - 3943 Tucson</b>			
Flat Rate - .25	4755-7541 - 3956 Yuma		
	4759B8891 - 3988 Sea Pine		

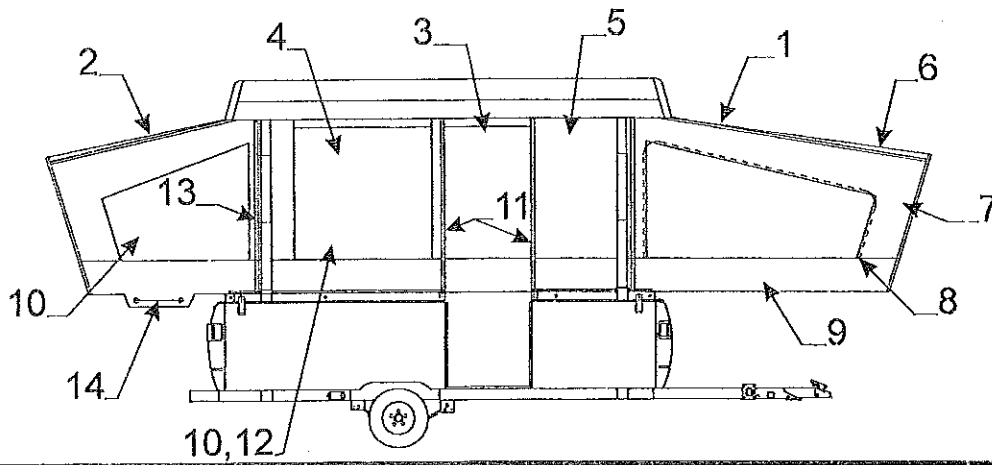


**4750J6111 Parts Package (All)**

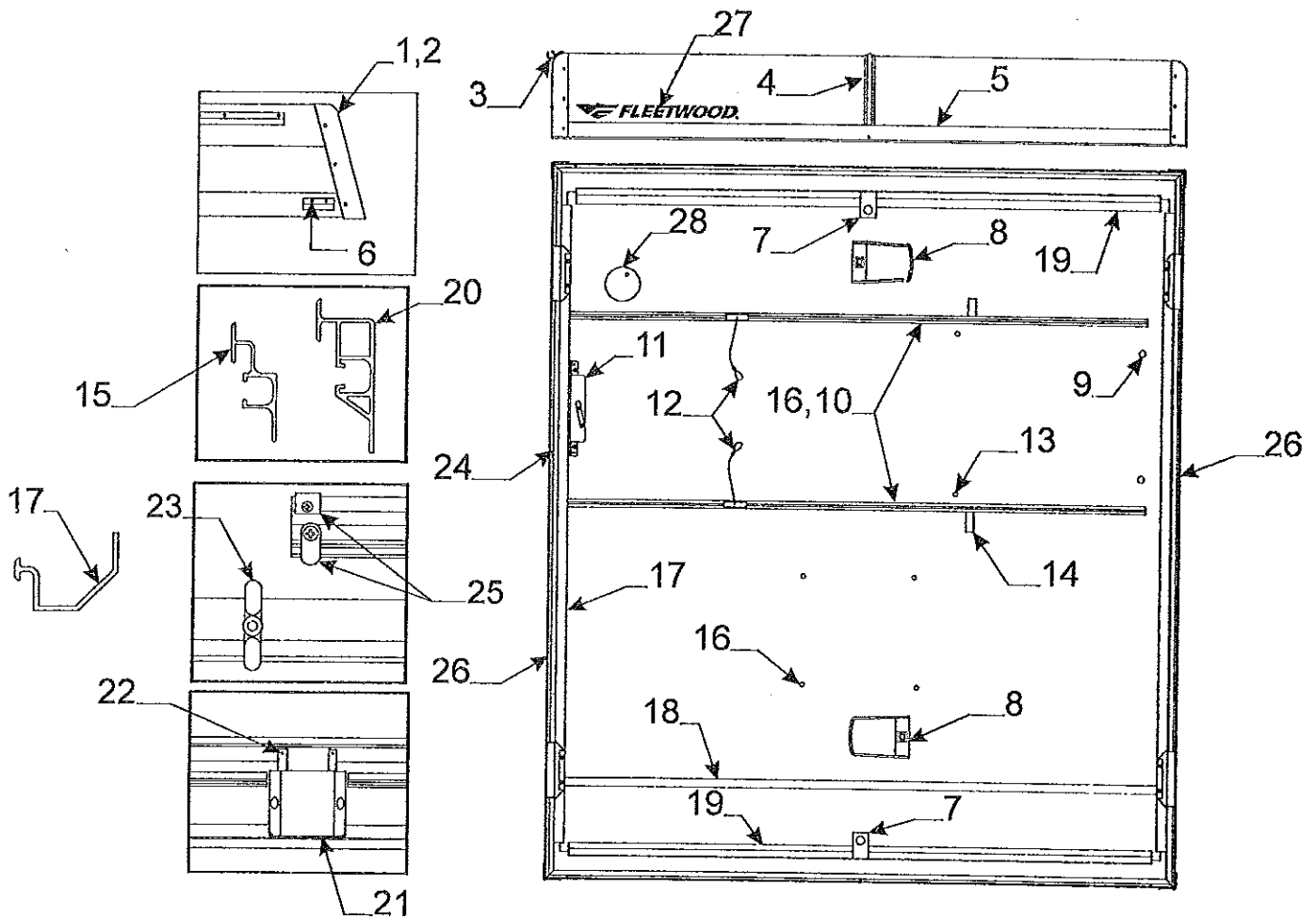
<u>Flat Rate</u>	<u>Parts Package Component Parts</u>		<u>Description</u>
	<u>Code</u>	<u>Part #</u>	
	1	4757-3901	29" tow chain w/quick links m2
	2	4757-3891	quick link (sold/signally)
	3	4747G4141	crank handle
	4	4749A1861	lug nut wrench
	5	4746-5381	winterizing adapter
	6	4746-0401	breakaway switch
	7	4749B5531	battery harness w/15 amp breaker
	8	4751-4811	15 amp circuit breaker
	9	4737-9138	drain adapter
	10	4734C3781	regulator cover (long)
		4751-9571	round regulator cover
	11	4753E6781	battery angle pkg.
	12	4732A4791	safety pin m10
	13	4771-2631	hitch pin m5
	14	4730B3211	key m10 # 8025 (gold plated)
	15	4733G6281	gas bottle mounting brkt. pkg.
			Note: pkg. includes (2) wing nuts, washers
	16	1202B0468	washer x2 m10
	17	1201-6258	wing nut x2

**\*\* Serial Number Of Gas Bottle Must Be Supplied When Submitting Warranty**





Sunbrella Tenting & Components			
Flat Rate	Sunbrella Code	Part #	Description
.50	1	4754-7521	front boot 3943 Tucson
.50		4769A5701	front boot 3956 Yuma
.50		4769A5711	front boot 3988 Sea Pine
.50	2	4754-7531	rear boot 3943 Tucson
.50		4769A5711	rear boot 3856 Yuma
.20	3	4769A6401	large window 3943 Tucson
.20		4769A5661	large window 3956 Yuma
.20		4759A8711	large window 3988 Sea Pine
.20	4	4769A6411	small window 3943 Tucson
.20		4769A5681	small window 3956 Yuma
.20		4759A8731	small window 3988 Sea Pine
.15	5	4769A6421	door seal 3943 Tucson
.15		4769A5691	door seal 3956 Yuma
.15		4759A8721	door seal 3988 Sea Pine
	6	8118501430P	top vinyl pkg. (85" x 3 yards)
	7	4716C0851	sunbrella patch package (12" x 14")
	8	6650500131F	zipper (sold/yard) used around window
		1225A4461	zipper pull m5
	9	8118001438P	green bottom vinyl facing pkg. (3 yd. x 80")
	10	4714E1611	screen package (84" x 3 yards)
		4714A0361	screen package (84" x 13 yards)
	11	4350000009P	1" velcro hook (10' pc. Pkg.)
	12	4716-2401	clear window vinyl (41" x 2 yards)
	13	1225G3768	45 1/2" side zipper pin half
		1225G3758	45 1/2" side zipper slider half
.50	14	4060000245CP	shock cord (150' package)
.50		4714C6021	shock cord & hooks m2 (two 14' lengths)
.15		4724A2011	shock cord termination (plastic hook) m10
	15	4060000024F	arrowhead seal (sold/foot)
.30	16	4735D6721	extension harness
.50	17	4743-1588	k-kote seam sealer
	18	4728-5641	tent retainer pkg.
.30	19	4710-1001	vinyl daubing "white" m2
.30		4710-1011	vinyl daubing "grey"
.30		4710-1021	vinyl daubing "green" m2



4768C5011 Top Assembly 3943 Tucson F.R. - 4.50  
 4768C5041 Top Assembly 3956 Yuma F.R. - 3.00  
 4754-7651 Top Assembly 3988 Sea Pine F.R. - 3.00

1.50 For A/C | 1.00 For Crossbars | 1.00 For Disposal  
 4716A8991 Roof Brace Kit (all except 3943)

Flat Rate	Code	Part #	Description	Flat Rate	Code	Part #	Description
.50	1	4716U1981	top corner pkg. (pkg. of 4)	.30	15	4060000093P	tent track (frt./rr.) (all except 3843)
		4350000058F	saturated foam tape (sold/foot)			1103E1018	screw stainless steel
	2	4745-3968	screw "white"		16	1203-9258	plastic accordion rivet m25
.50	3	4757-3561	canopy track (must cut to size)		17	4754A9831	side cove x2 (must cut to size)
1.00	4	4752-02791	center seam (must cut to size)			4747-2558	expansion rivet m25
		4060400096F	vinyl screw cover (sold/foot)	.20	18	4350400004F	vinyl tape (sold/foot)
		4741-3508	hex head screw		19	4767-3611	cove (front/rear) 3956, 3988
		4350000058F	saturated foam tape (sold/foot)			4767-3841	cove (front/rear) 3943
.50	5	4759A240	frt./rr. seal extrusion 3956, 3988			4747-2558	expansion rivet m25
		4741F2138	frt./rr. seal extrusion 3943	.30	20	4060000092P	tent track (must cut to size)
.15	6	4750A9581	top strike m2			1103E1018	screw stainless steel
		4744C2461	torx head screw "painted" m2	.20	21	4747D5521	lift pocket cover x4 (all)
		1201B6958	nut (x2 per strike)			4741D3558	hole plug x2
.15	7	4741F11381	tent support brkt.			4351400005F	velcro loop (sold/yard)
		4741C9368	screw "painted" x2	.25	22	4741D5431	lift pocket x4
.15	8	4737K5911	single dome light			1201B6378	lock nut (x2 per pocket)
		4758-1361	dome light lens	.15	23	4743-2501	plastic screen dr. latch pkg.
		1103B1028	screw x4			Note: pkg. includes (2) latches & mounting hardware	
	9	4737-3211	rubber button m8	.50	24	4060100399P	rubber top seal (40' package)
.30	10	4733H47181	screen door track x2		25	4728A5641	tent retaining pkg.
		4744B4611	expansion rivet m25	.05		4750-2891	drape tab c-shape m60
.20	11	4749C5571	screen door bracket			4738-3088	screw
		4747-2558	expansion rivet m25	.75	26	4747E1291	side seal extrusion 3943
		4749-2138	snap button m2	.75		4759B241	side seal extrusion 3956
		1203-8631	rivet m25	.75		4759B335	side seal extrusion 3988
.15	12	4734D5211	screen door cable m6 (all)	.25	27	4761-1958	fleetwood decal
	13	4730A3548	stud w/screw x2	.15	28	4767-4641	carbon monoxide detector
.15	14	4723A5061	strap x2				

1

2

3

4

5

6

7

8