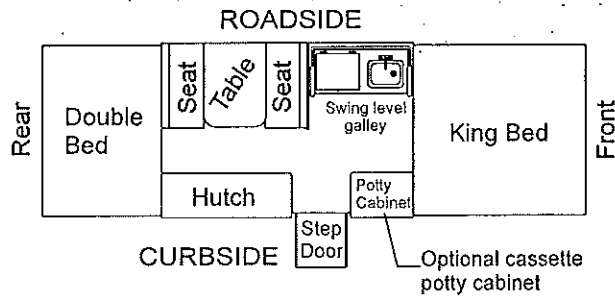




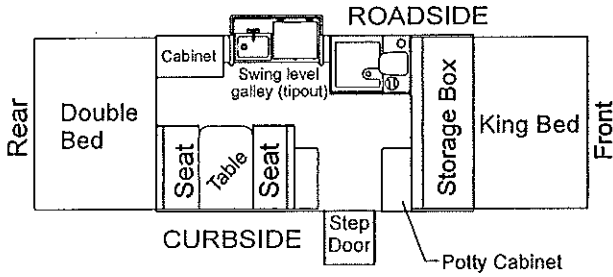
2005
Americana Series
Repair Parts Catalog

3989 Colonial
3996 Resolute
3959 Victory
3951 Valor
3991 Allegiance
3950 Rushmore

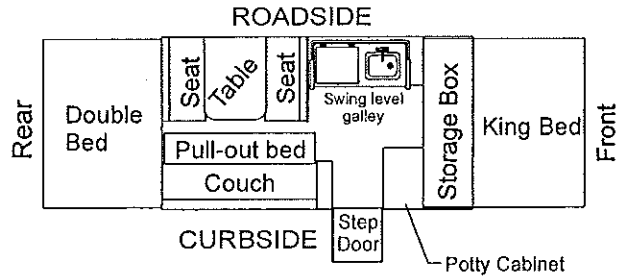
3989 Colonial 10'



3959 Victory 10'

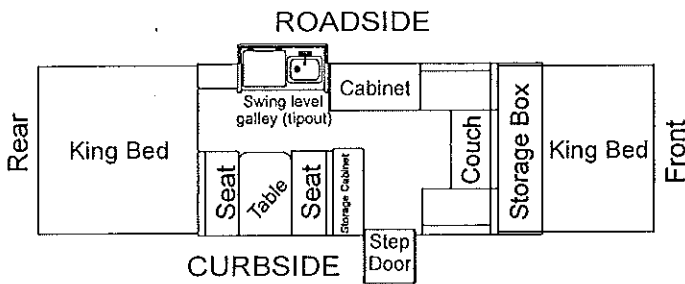


3996 Resolute 10'

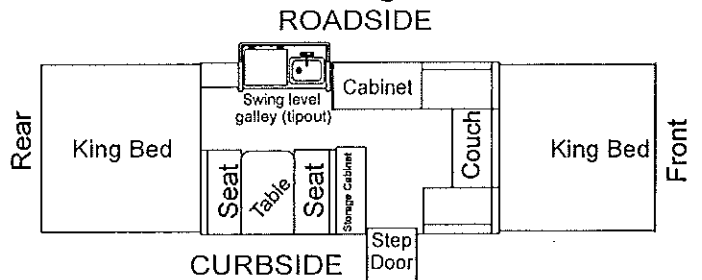


2005 AMERICANA SERIES

3951 Valor 12'



3991 Allegiance 12'



3950 Rushmore 12'

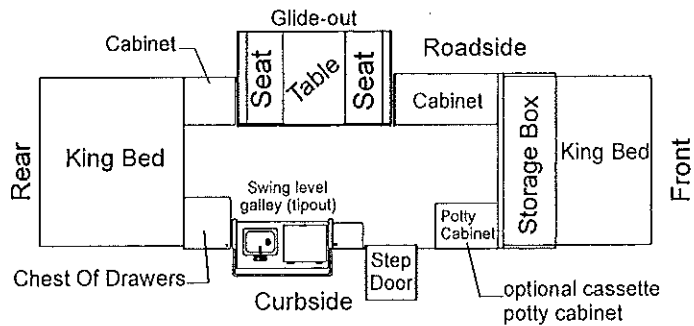
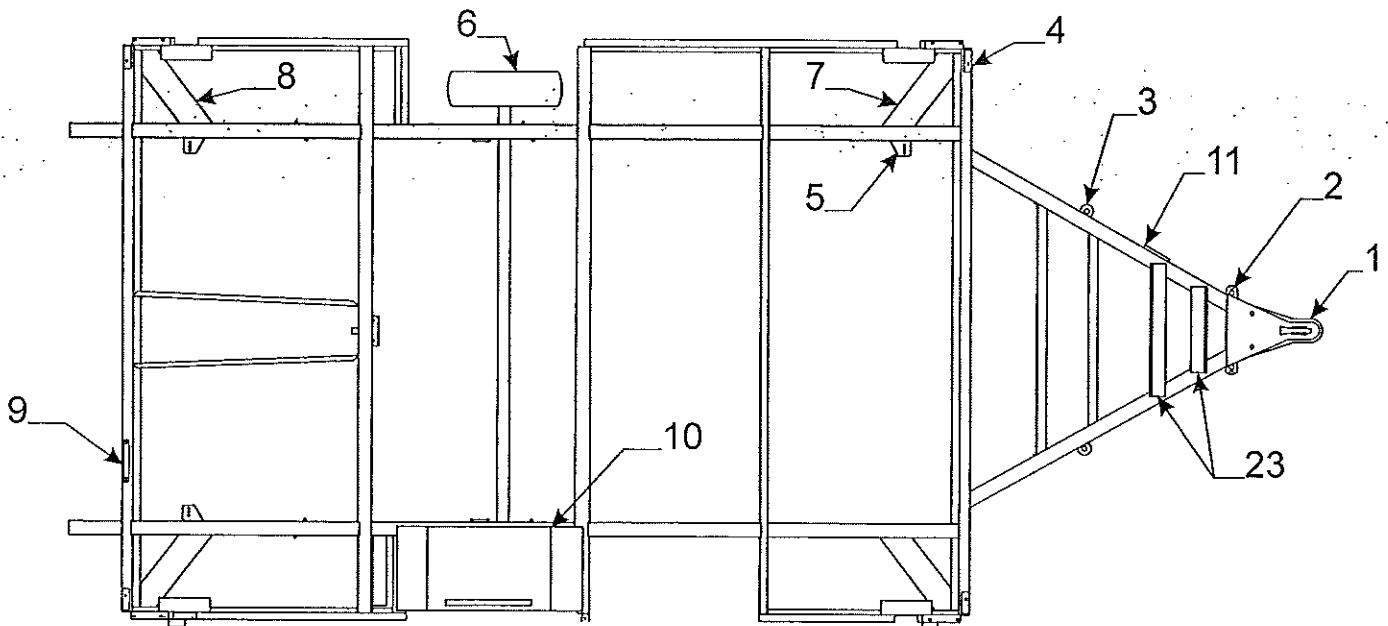


TABLE OF CONTENTS

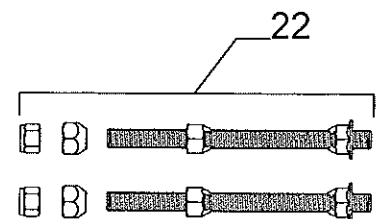
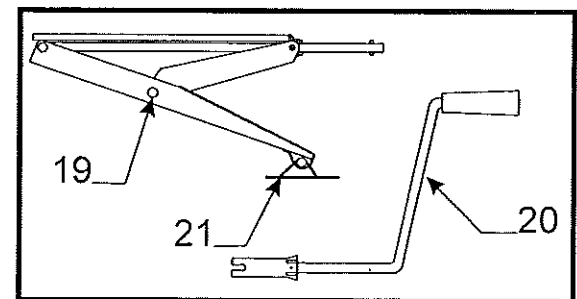
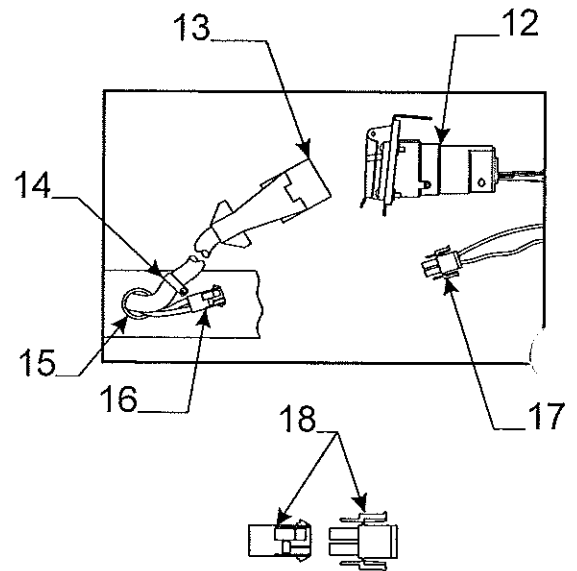
<u>DESCRIPTION</u>	<u>PAGE</u>
Access door key	30
Access door assembly & related parts	9
Auto extension	13
Axle assemblies & related parts	3
Backrest assemblies & covers	29
Bed assemblies.....	26
Bed extensions & related parts	26
Body panel right rear (curbside)	8
Body panel left side (roadside)	10
Body panel left side glide-out (roadside)	11
Body panel front & rear (plastic)	7
Body panel right front (curbside)	9
Body panel frt. (storage box units)	6
Bumper & related parts	7
Cabinet assembly (corner cabinets)	21
Cabinet/potty assy. curbside frt.	22
Caulking	13
Converter & related parts	20
Cooler (built-in)	14,17, 23
Corner bulkhead assembly	2
Coupler assembly	2
Crank components (upper crank)	5
Crank handle	30
Cushion assemblies & covers	29
Door bulkheads	8
Drain hose (used on sinks)	12
Drape packages & related parts	29
Drawer assembly components	20
Electric brakes & related parts	3
Fire extinguisher & components	22
Floor covering	2
Frame assembly & related parts	2
Gas detector	24
Gas hose (gas bottle hook-up)	31
Gas bottle mounting brackets	31
Gas quick disconnect (outside stove)	31
Gas bottle cover (black vinyl)	31
Gas bottle & related parts	31
Glide-out components	11
Glide-out tent bow & support	25
Grease cap (EZ lube cap)	3
Hub assembly & related parts	3
Hutch assembly roadside (Valor, Allegiance)	23
Hutch assembly curbside (3989 Colonial)	22
Hutch/Seat assy. curbside (3996 Resolute)	23
Hutch assy. doorway left (3959, 3991, 3951)	21
Lift assemblies & related parts	4
Lift trim & miter covers	8, 9
Lower galley components (Resolute, Colonial) ..	14
Lower galley components (Valor, Allegiance).....	15
Lower galley components (Victory)	16
Lower galley components (Rushmore)	18
Lug wrench	30
Mattress assemblies & covers	26
Outside shower assy.	10
Paint (spray & quart can)	13
Paneling & trim	13
Parts package & components	30
Pigtail (car end)	2

<u>DESCRIPTION</u>	<u>PAGE</u>
Potty cabinet curbside frt. 3989 Colonial	22
Potty "cassette"	22
Potty Curtain	29
Power cord (converter)	20
Receptacle (exterior)	8
Receptacle (interior)	20
Refrigerator vents	10
Regulator & fittings	31
Safety chains	30
Screen door & related parts	28
Seat bench component parts	24
Shower curtain	29
Shower curtain rod (Victory)	33
Shower stall w/potty (Victory)	17
Shower head & hose (Inside shower).....	17
Shower (Outside shower assy.)	10
Sink & related parts	12
Spare tire cover (black vinyl)	2
Spare tire mount package	2
Stabilizer assembly	2
Stabilizer handle/lug wrench combo	30
Storage box components	6
Stove components (upper galley)	12
Table assemblies & related parts	13
Taillights (rear body panel)	7
Tent support assemblies & related parts	25
Tenting & related parts (sunbrella)	32
Thermostat (Hydro Flame)	24
Thrust bearing	4
Tie backs (curtains)	31
Tip-out/Glide-out tent bow & support	25
Tire & rim	2
Tire cover "black vinyl"	2
Tongue jack & related parts	5
Top assemblies & related parts	33
Trim tape kits	8,9,10,11
Upper crank assy. & components	5
Upper galley components (Resolute, Colonial) ..	14
Upper galley components (Valor, Allegiance).....	15
Upper galley components (Victory)	16
Upper galley components (Rushmore)	18
Valance package	29
Water heater	27
Water faucet	27
Water system & related parts	27
Wheel well	2
Whiffletree & related parts	4
Zippers (tenting assemblies)	32

Axle/Brakes - Dexter	219/295-1900
Cassette Potty - Thetford	800/444-7210
Converter - World Friendship Co.	800/900-2468
Furnace - Hydro Flame #7916-11	800/546-8759
Mixer Faucet - Empire Brass	800/431-6440
Refrigerator - Dometic	800/216-5115
Stove - Vitco	877/825-8528
Tires - Duro	800/966-8473
Water heater - Suburban	423/775-2131
Yakima bike rack - to obtain repair parts .	800/925-4621



Flat Rate	Frame Code	Assembly Part #	Component Parts Description
1.50	1	4742-2001	coupler assembly
.25		4714A2211	coupler repair kit
.75	2	4748-6611	chain bar w/pins
.75		4720A3561	chain bar w/o pins
.50	3	4758-0381	bed leg pin & washer
.10		4747-8941	pin cover m2 (plastic)
2.00	4	4758A6681	corner bulkhead csf/rsr
2.00		4758A6691	corner bulkhead rsf/csr
		1203C8751	rivet m25 (rivet bulkhead to frame)
.75	5	4732E3671	adjustable pulley brkt. x4
.25		4715A5371	pulley & bearing m10
		4720C1578	short pin m4
		1204B1081	cotter pin m10
.25	6	4757A2468	tire & rim 13" lr "C" 3989, 59, 96
.25		4753E8168	tire & rim 13" lr "D" 3951, 91, 50
		4716E8168	13" lr "d" tire only (less rim)
		4723G3161	13" black vinyl tire cover
	7	4755B6641	stabilizer plate csf/rsr
	8	4755B6651	stabilizer plate rsf/csr
1.00	9	4754F5101	spare tire support "rear"
2.00	10	4759-0931	wheel well assy. 3989
2.00		4759-0791	wheel well assy. (all except 3989)
.75	11	4720B3331	jack bracket (welded to tongue)
	12	4746A5591	pigtail - "car end"
	13	4753B3751	trailer harness
	14	1201-8738	3/8" clamp
		1203C8721	steel rivet m25
	15	4742-8108	1 1/4" snap bushing
	16	4716A5001	12 volt power harness
.15	17	4749B5531	12 volt wire harness m2
	18	4716A4701	12 volt cap & plug m2
.25	19	4751A3351	stabilizer assy. (screw down)
		4751-8208	tapping screw (3 per stab.)
	20	4747G4141	crank handle
.10	21	4755-6841	sand shoe (set of 4)
.25	22	4741B5791	spare tire mount kit (all)
*	23	4716A1751	battery angle pkg. (non box models)
		4716A7151	battery angle pkg. (box models)

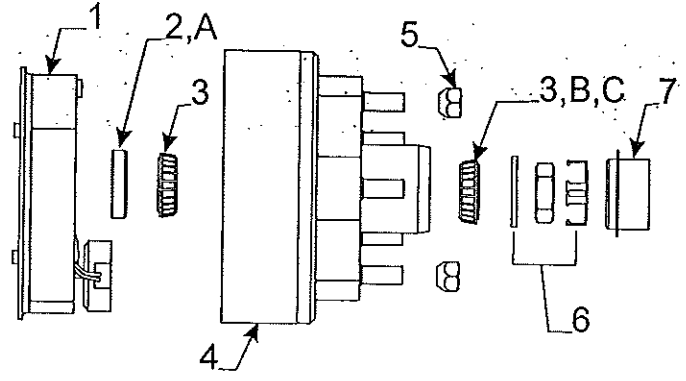


* 6610007206P floor covering pkg. (7 1/2' x 14')

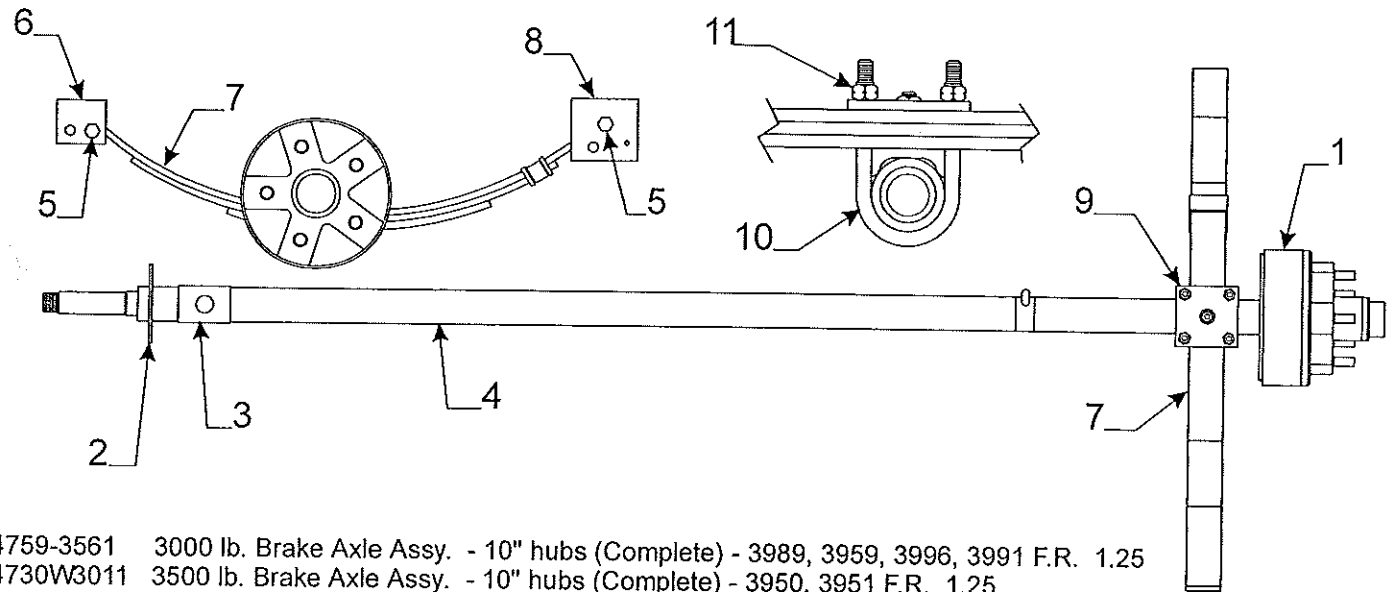
* Prior Authorization Needed From Factory

**Flat Rate .50 Per Side
Electric Brake Pkg. 10" x 2 1/4" (4714J2011)**

Flat Rate	Code	Part #	Description
.50	1	4716-6251	10" brake assembly (right hand)
.50		4716-6261	10" brake assembly (left hand)
.50	2	4716A1441	10" grease seal (2 per pack)
.50	3	4716A1451	10" bearing, race & seal pkg.
.30	4	4716-1431	10" hub & drum x2
.05	5	4747A9528	lug nuts x5
.10	6	4714A3061	retainer package
.10	7	1204-1268	cotter pin x1
.05	8	4714C0621	EZ lube grease cap m4



Crossover Numbers To Purchase Locally
A K71-303-00 Grease Seal
B L44649 Bearing "outer"
 L68149 Bearing "inner"
C L44610 Race "outer"
 L68111 Race "inner"



4759-3561 3000 lb. Brake Axle Assy. - 10" hubs (Complete) - 3989, 3959, 3996, 3991 F.R. 1.25
 4730W3011 3500 lb. Brake Axle Assy. - 10" hubs (Complete) - 3950, 3951 F.R. 1.25

NOTE: limited parts stocked for Dexter Axles, for required part (s) phone - 219/295-1900

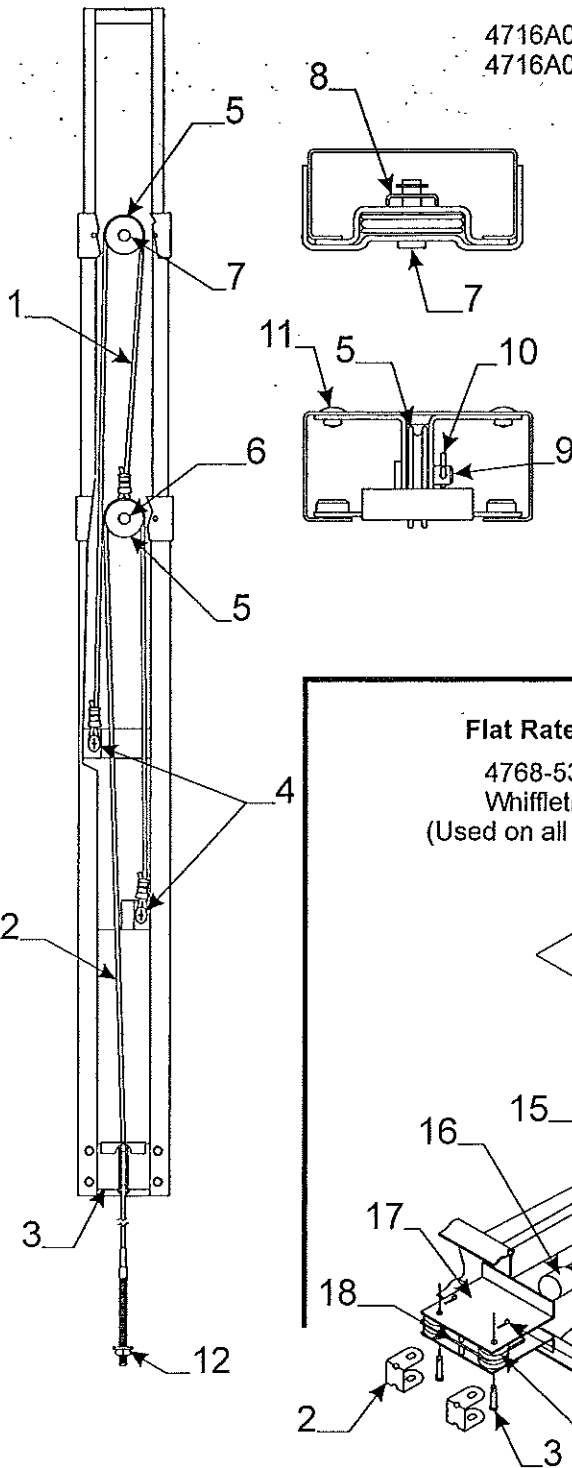
Flat Rate	Code	Part #	Description	Flat Rate	Code	Part #	Description
*	1	Note: refer above for hub & components		.75	7	4735G22081	leaf spring (3 ply) 3000 lb. axle
*	2	4741A8471	brake plate 3000 lb. axle	.75		4735H22081	leaf spring (4 ply) 3500 lb. axle
1.00	3	4741-8461	spring pad channel m2	2.00	8	4741C3398	spring shackle (front)
.25	4	4716F6251	axle beam 3000 lb. axle	.50	9	4741-8458	u-bolt plate 3000 lb. axle
2.00	5	4737A1318	shackle bolt	.25	10	4741A8438	u-bolt 3000 lb. axle
		4741-9498	shackle bolt nut		11	4741-9358	u-bolt nut 3000 lb. axle
	6	4741A3398	spring shackle (rear)				

* PRIOR AUTHORIZATION NEEDED FROM FACTORY

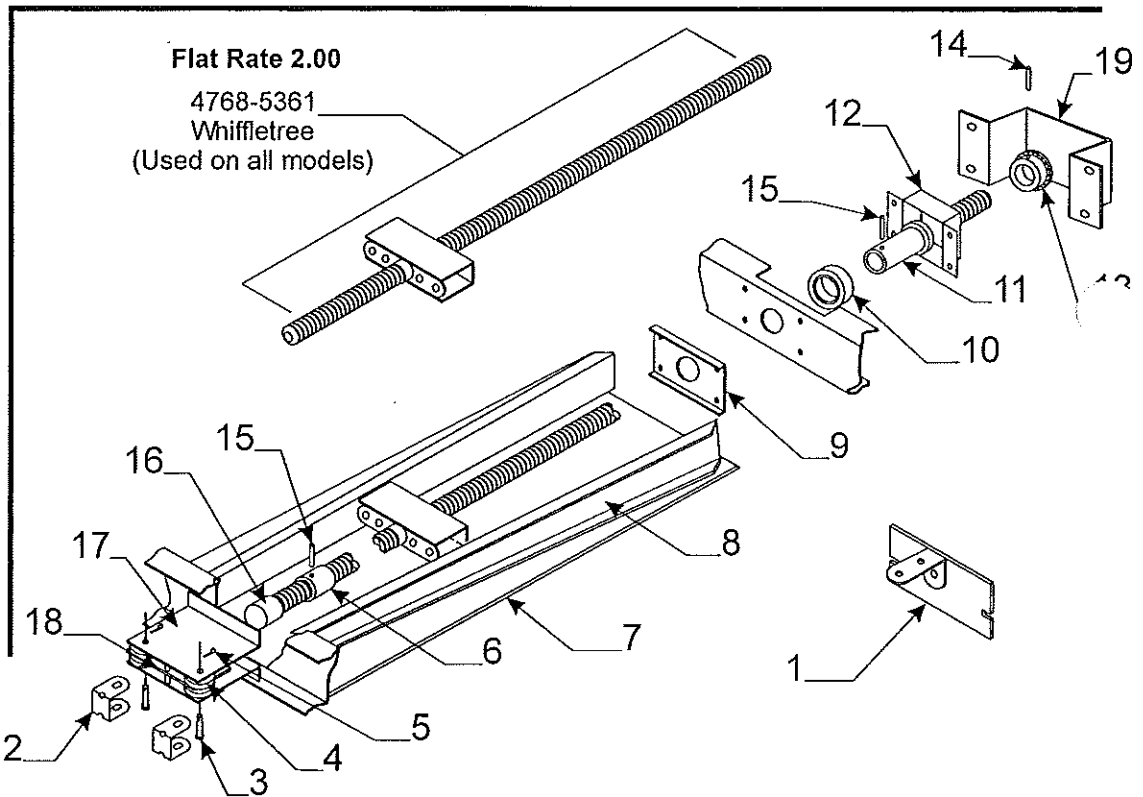
Flat Rate 1.25 Per Lift Assembly

4716A0031 lift assembly roadside rear/curbside front (all)

4716A0041 lift assembly roadside front/curbside rear (all)

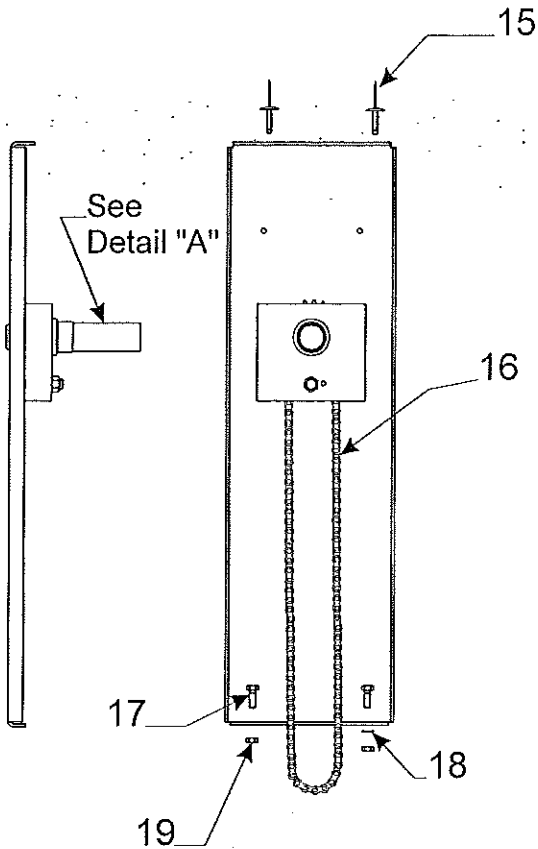


Flat Rate	Lift Assembly Code	Component Part #	Description
.75	1	4720D5271	cable assembly x1 m2
		4720C1691	cable crimp m20
1.25	2	4754A6121	184" long cable & crimp
		4744-1318	copper cable crimp m10
1.25	3	4731C5801	butterfly bracket assy.
.05	4	4749-2081	screw m6
.50	5	4715A5371	steel pulley & bearing m10
.25	6	4747-8931	long pin x2
		4730B0981	retaining ring m12
.25	7	4749-4061	short pin m4
		4730B0981	retaining ring m12
.25	8	4749A2028	retaining clip
.45	9	4720C1578	lift pin m4
	10	1204B1081	cotter pin m10
	11	1203-8641	rivet m25
	12	1201B6378	1/4" lock nut



Flat Rate 2.00
4768-5361
Whiffletree
(Used on all models)

Flat Rate	Whiffletree & Related Parts Code	Part #	Description	Flat Rate	Code	Part #	Description
.15	1	4749A821	mud flap & brkt.	1.50	10	4720B2421	thrust nut bearing
.50	2	4744B1741	cable retainer x2	1.50	11	4720B2388	thrust nut
.20	3	4720J1561	long pin m4	1.50	12	4720B2408	bearing housing
.50	4	4715A5371	pulley & bearing m10	1.00	13	4730B3848	sprocket 12 tooth
.10	5	1204B1081	cotter pin m10		14	4720D1481	roll pin m10
1.60	6	4710B4248	bushing	1.00	15	4744A1301	shear pin m10
.25	7	4752B4921	whiffletree pan cover	2.00	16	4730D1291	screw socket (welded)
.25	8	4720F237	pan cover side (welded)	2.00	17	4720-1551	pulley plate
	9	4720C2418	plate	.50	18	4715D5661	pulley spacer
					19	4758A0481	chain cover

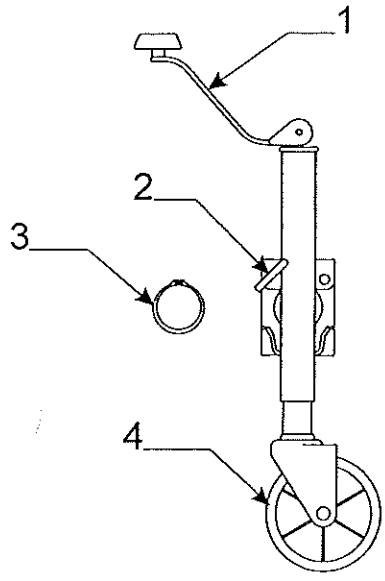
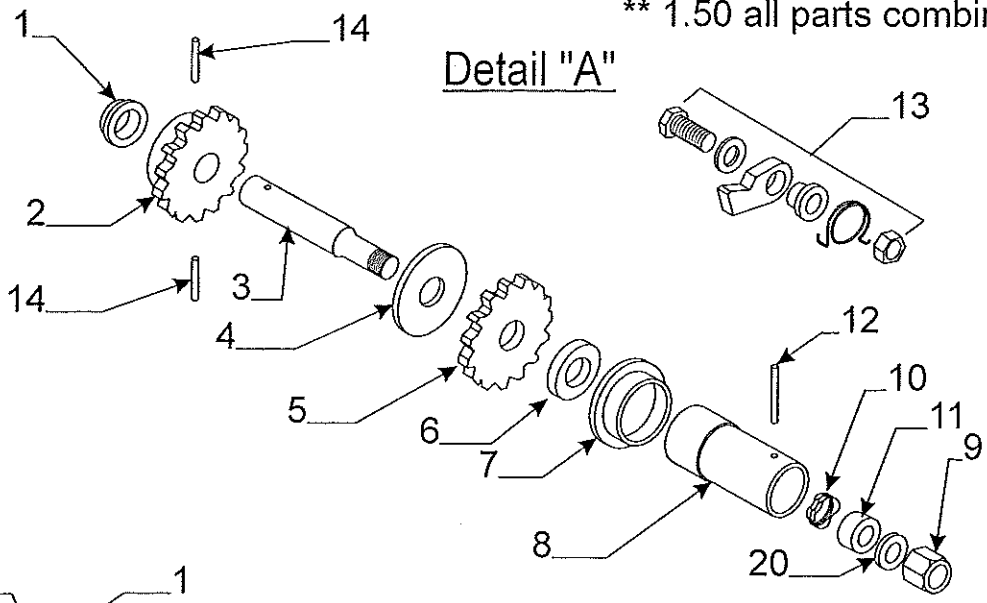


Flat Rate 1.50 complete assembly
4768A6801 Crank & Sprocket Assy.

Flat Rate	Code	Part #	Description
**	1	4751-3501	shaft bushing
**	2	4730B3858	sprocket 24 tooth
**	3	4751-3521	drive shaft
**	4	4751-3561	pressure plate
**	5	4751-4831	ratchet wheel
**	6	4751-3581	pressure washer
**	7	4751A3591	shaft bushing
.75	8	4751-6511	drive hub extension pkg.
Note: package includes parts marked w/asterisk (*)			
	9	*4751-3551	hex head nut
	10	*4752-3921	handle spring m2
	11	*4751-4671	nylon washer
	12	*4747A9451	spiral roll pin m6
.60	13	4716-1221	ratchet pawl package
	14	4720D1481	roll pin m10
		4744A1301	shear pin m10
	15	1203C8721	rivet m25
1.50	16	4759-8031	chain (w/connecting link)
		4730A3811	connecting link
	17	4731-3878	hex head bolt x2
	18	1202B0438	washer
	19	1201B6038	hex head nut
**	20	*4757-3938	washer

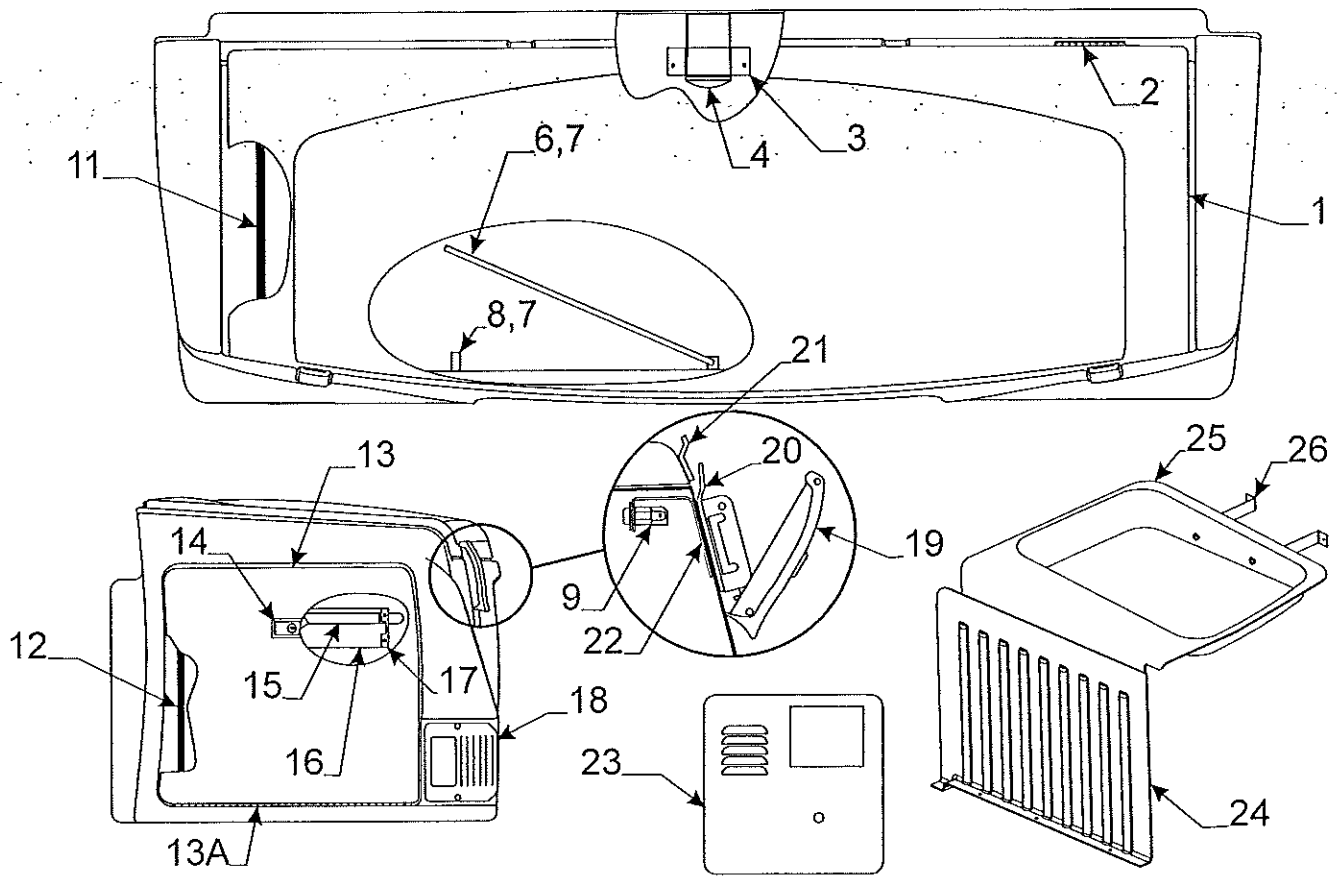
** 1.50 all parts combined

Detail "A"



Flat Rate .10 Jack Removal
Tongue Jack Assembly (4720C6661) "Norco"

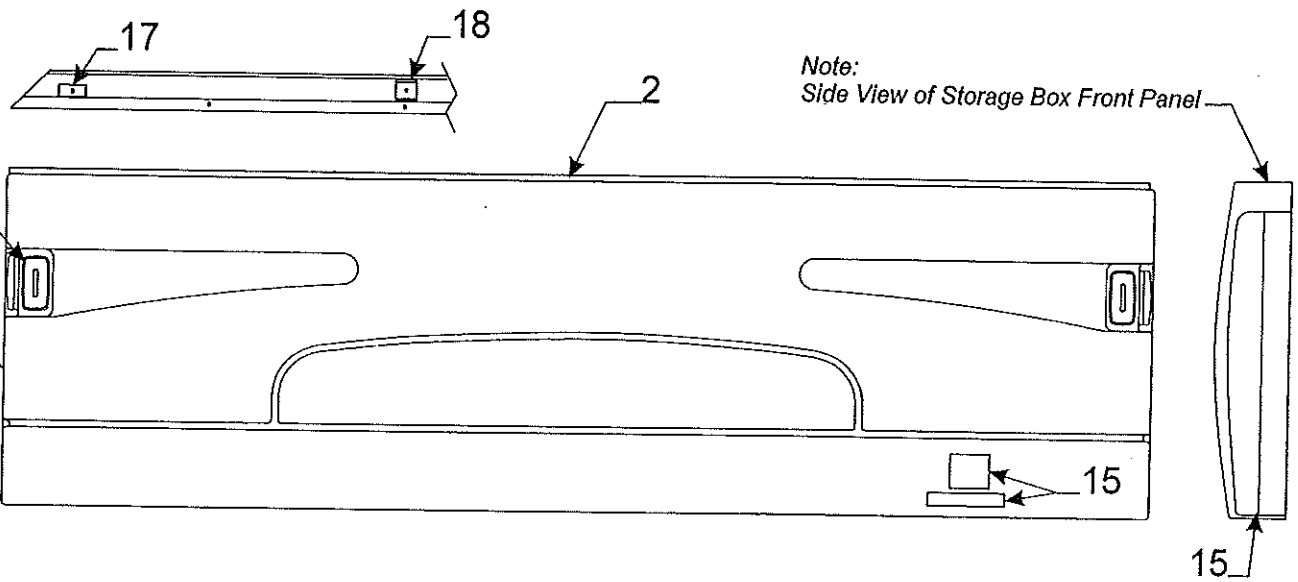
Flat Rate	Code	Part #	Description
.15	1	4716-1951	jack handle kit
.15	2	4716-1981	locking plunger kit
.10	3	4720A3341	snap ring
.25	4	4716-1971	jack wheel nut & bolt



Front Storage Box Assy. - 3996, 3959, 3951, 3950 1.25 box replacement, add .75 for water heater

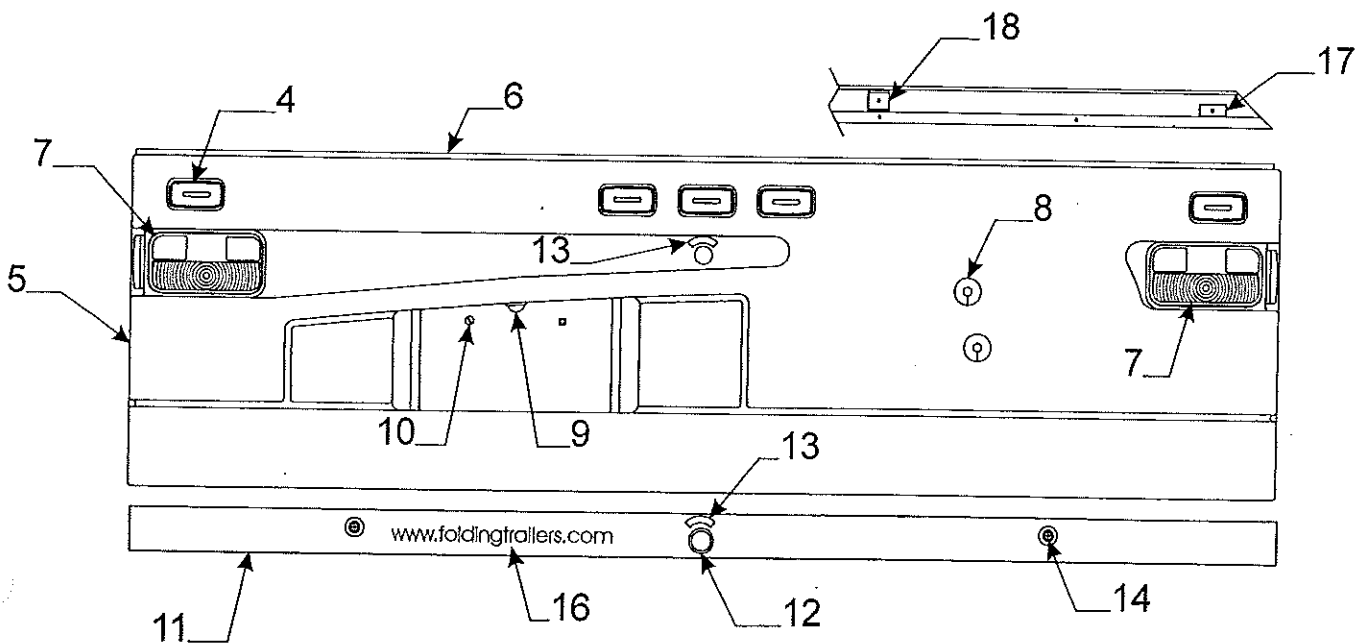
Flat Rate	Storage Box Component Parts	Flat Rate	Storage Box Component Parts
Code	Part #	Code	Part #
	Description		Description
.50	1 4758-9861 storage box lid	.15	15 4768-6631 cargo door lock bar assy.
.20	2 4759A0041 lid hinge x3		1202B1068 fender washer
	4759-1711 3/8" ss screw m12	.16	16 4759-0031 cargo door lock pan "black"
	1202E1111 ss washer m12		4747-2558 expansion rivet m25
.50	3 4769-5001 support post assy.	.17	17 4759-0371 lock pan angles x2 "black"
	1203-8831 rivets m25		1203-8651 rivet m25
.25	4 4759-1721 cargo light	.15	18 4759-0261 wraparound marker light amber
	4744C4611 expansion rivet m25		4716-1001 amber lens
	5 4759-0911 drain plug (not shown)		4758-1201 expansion rivet m25
	6 4751B1181 prop rod		4759-1871 1/2" black vinyl seal washer m12
	4751-1208 push nut	.15	19 4759-0191 lid latch "locking"
	4751C1191 prop rod bracket		20 4759A0521 lid stop brkt. "black"
.10	7 4734-2431 gripper clip m4		4759-0551 flat head tek screw m12
*	8 4739B2901 snap cap & washer m12		21 4759-0201 lid latch strike
	9 4759-0381 cargo light on/off switch		4759-0218 strike screw x2
	10 4060037501P 3/8" convoluted tubing 10' pkg.	.15	22 4759-0361 switch bracket
	Note: Tubing covers interior box wire harness		23 4716A1331 water heater door "gray"
.75	11 4060000601P lid seal pkg. (15' pc.)	.30	24 4759A2681 water heater cover side
.20	12 4060000689P cargo door seal (6' pc. pkg.)	.30	25 4759A2671 water heater cover top
.50	13 4758-9851 cargo door (less hardware)		26 4759-2661 water heater cover brkt.
.50	13A 4759-0071 cargo door hinge		4732-1181 plastic grommet m4
	4747-2558 expansion rivet m25		1121C1618 screw x2
	4759-1711 3/8" ss screw m12		
.15	14 4730C3111 cargo door lock w/key		
	4759-0531 lock seal		
	1032E10168 10-24 x1 ss screw x2		
	4759-0548 female threaded screw x2		

Note: lockable latch used in place nonlocking latch

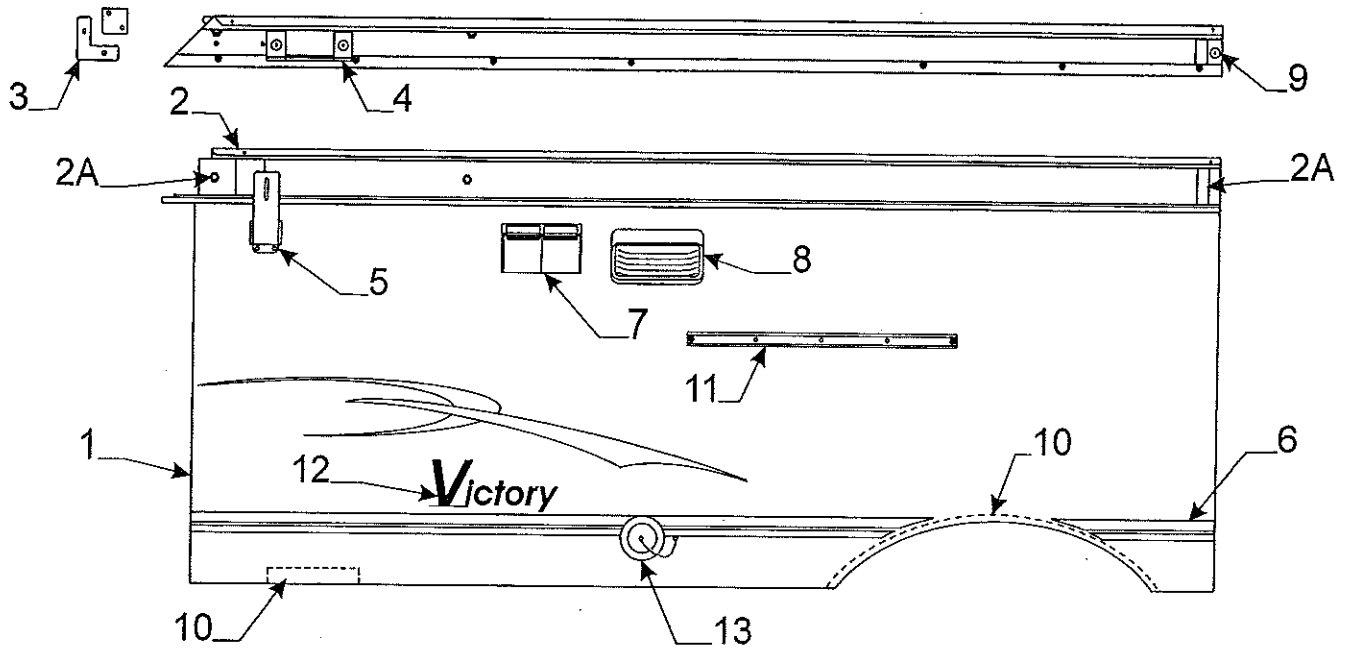


* 1.50 Flat Rate Front Panel/2.50 Rear Panel

Flat Rate	Front & Rear Body Panel Components			Flat Rate	Code	Part #	Description
*	1	4767A2391	front body pnl. 3989, 3991	.20	7	4749B4321	taillight x2
2.50		4759C0881	front body pnl. 3996,59,51,50	.10		4716A1061	taillight lens
.75	2	4754-8681	front end rail			4747-2558	expansion rivet m25
		1203-8651	rivet x5 m25	.10	8	4754-3871	foam gasket m2
			Note: refer to opposite page for storage box body rail	.15	9	4739B4311	tag light
.15	3	4714J08481	amber marker light x4	.05	10	4732-1181	plastic grommet m4
.10		4716A4571	amber lens (lens only)	.05		1121C1618	license plate screw x2
.25		4733H1311	socket & harness	.30	11	4756F2371	bumper 3950,51,59,96,91
		4747-2558	expansion rivet m25	.30		4759-2261	bumper 3989
.15	4	4714J08581	red marker light x7	.10	12	4756-9761	2" hole plug
.10		4716A4561	red lens (lens only)	.10	13	4730H3188	"open" decal
			Note: refer to code # 3 for hardware	.25	14	4714-0391	rear bed leg pin pkg.
*	5	4757B1961	rear body pnl. (all)	.25	15	4716-3931	frt./rear decal & hware kit
		4741D96568	expansion rivet m25 "white"	.10	16	4767-0888	www.com decal
.75	6	**4754B8691	rear end rail	.15	17	4754A8491	nylon bed rest & screw
		4758-1141	rivet w/rubber washer m25	.15	18	4754B8921	nylon bed ramp & screw

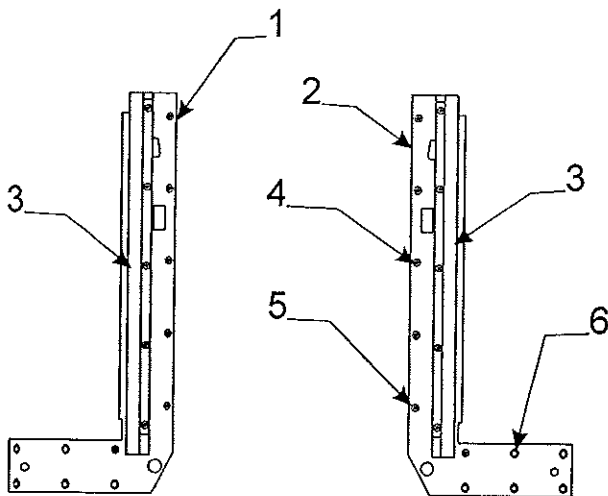


****Revised 9/1/05**

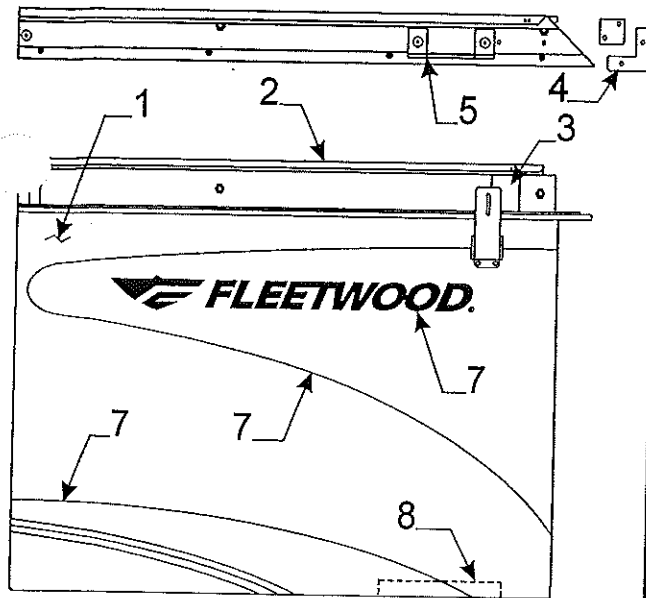


4716-3941 Curbside Trim Tape/Hardware Kit

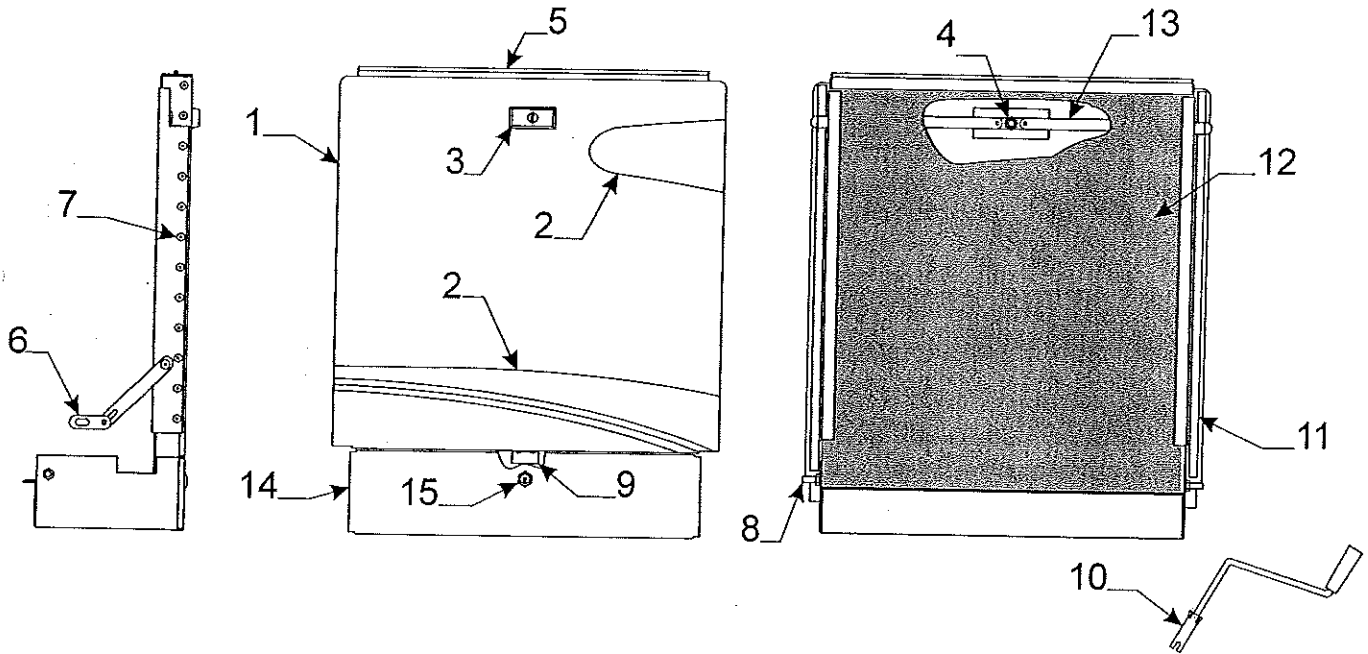
Flat Rate	Code	Part #	Curbside Right Rear Body Pnl. & Components Description	Flat Rate	Code	Part #	Description
1.00	1	4757E3071	csr body panel 3989 Colonial	.25	7	4746A3861	duplex cover & outlet
1.00		4757C9631	csr body panel 3959, 3996	.35		4746-3871	duplex box
1.00		4759A1371	csr body panel 3951 Valor			1203-8678	rivet m25 (rivet box to pnl.)
1.00		4754H9701	csr body panel 3991 Allegiance	.25	8	4752-9921	porch light
1.00		4767-3171	csr body panel 3950 Rushmore	.10		4716-5511	porch light lens "amber"
1.00	2	4757B3081	csr body rail 3989 Colonial	.15	9	4738-3941	turn button & rivet
1.00		4757A9661	csr body rail 3959, 3996		10	4060050008P	foam tape(12' pkg.)
1.00		4754C9511	csr body rail 3991 Allegiance	1.25	11	4767-3921	stove support brkt.
1.00		4767A3151	csr body rail 3950, 3951			4745-3968	screw
.10	2A	4716-2771	vel-stick body rail pkg.			4744C2461	torx screw m2
.15	3	4716-7061	inner/outer miter cover pkg.m4			1201B6958	nut x2
			Note: pkg. includes rivets	.25	12	4749P4438	Colonial name decal
.25	4	4734C4121	lift trim, rivets & gasket pkg. m4	.25		4751M0658	Resolute name decal
		4733-3398	nylon flange bushing x2 per trim	.25		4767A1498	Victory name decal
.15	5	4741C6041	top latch w/out lock tab	.25		4755F4728	Valor name decal
		4749-4848	foam pad	.25		4757D8148	Allegiance name decal
.50	6	4716-3941	trim tape & hardware kit	.25		4767-3188	Rushmore name decal
				.25		4755F48188	CP decal
				.10	13	4714A2861	drain cap & strap



Flat Rate	Code	Part #	Access Door Bulkheads & Components Description
1.25	1	4768-6821	csf bulkhead (all)
1.25	2	4768-6831	csr bulkhead (all)
.35	3	4745B0811	rubber door seal
	4	1203-8641	rivet m25
	5	1203-8978	countersunk rivet m25
	6	4744A0501	hex head tek screw m25



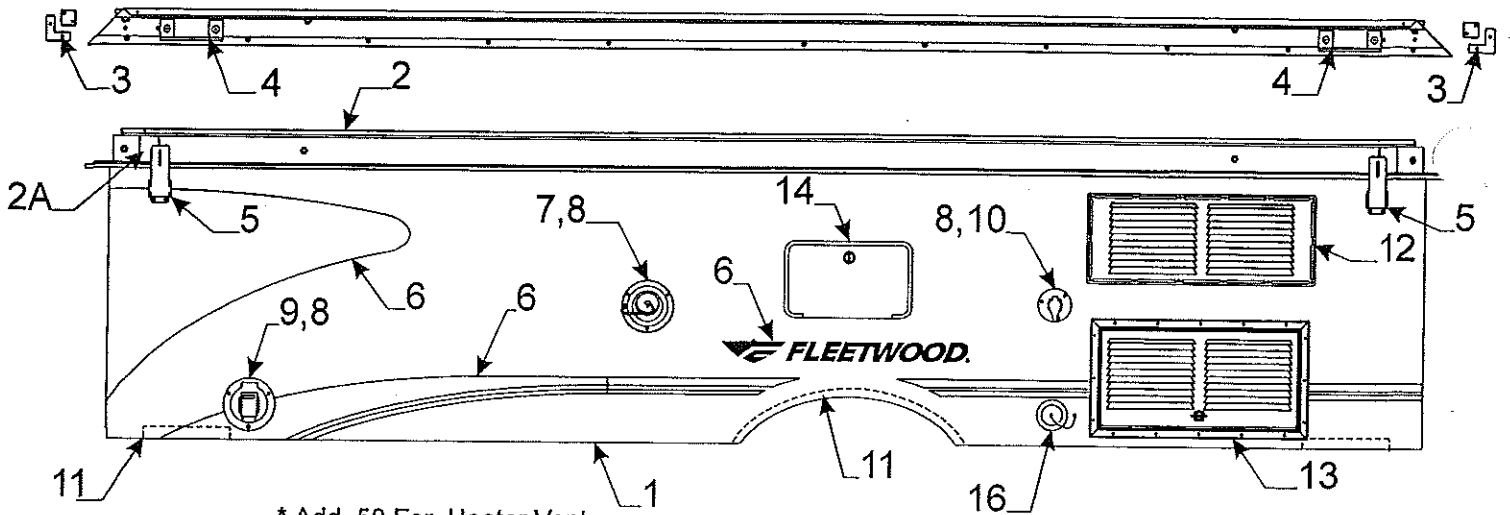
4716-3941 Curbside Trim Tape/Hardware Kit			
Curbside Right Front Body Pnl. & Components			
Flat Rate	Code	Part #	Description
.85	1	4757E3111	csf body panel 3989 Colonial
.85		4759-0731	csf body panel 3959, 3996
.85		4756D4361	csf body panel 3950, 3951
.85		4756D9281	csf body panel 3991 Allegiance
1.00	2	4757D3121	csf body rail 3989 Colonial
1.00		4757-9651	csf body rail 3959, 3996
1.00		4767A3141	csf body rail 3950, 3951
1.00		4754E9501	csf body rail 3991 Allegiance
.10	3	4716-2771	vel-stick body rail pkg.
.15	4	4716-7061	inner/outer miter cover pkg. m4
.25	5	4734C4121	lift trim, rivets & gasket pkg. m4
		4733-3398	nylon flange bushing x2 per trim
.15	6	4741C6041	top latch w/out lock tab
		4749-4848	foam pad
		4350000022F	foam tape (sold/foot)
.50	7	4716-3941	trim tape & hardware kit
	8	4060050008P	1/2" x 1" foam tape pkg.(12' pc.)



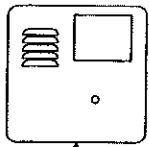
4768-6811 Access Door Assembly "complete" less trim tape

FLAT RATE 1.25 complete door assembly

Access Door Component Parts							
Flat Rate	Code	Part #	Description	Flat Rate	Code	Part #	Description
1.00	1	4759-0661	door skin		8	1006B2428	bolt x2
	2	4716-3941	trim tape kit			1201B5188	nut (to affix bolt to door)
1.00	3	4730C3111	lock handle (with key)			1201B6448	nut (affix door to trailer)
		4716-081	screw x2			1202B0468	washer m10
		1201B6958	keps nut x2	.10	9	4747A2521	latch angle w/rivets
1.00	4	4741-1438	reinforcement plate		10	4747G4141	crank handle
.25	5	4731E2331	access door cap	.20	11	4060025006P	foam tape pkg. (4' pc.)
		1203-8651	rivet m25	1.00	12	4758B4711	step covering "black flextrud"
.15	6	4744-6981	swing arm pkg. (w/rivet & washer)	1.00	13	4741A6551	lock bar assembly
		1203C8721	rivet m25	.25	14	4754-6921	lower dr. w/hinges - less lock
		1202B0468	washer m10			1203-8951	rivet m25 (affix door in place)
	7	4733G0601	rivet "black" m25	.25	15	4751D8301	lock assembly w/o-ring



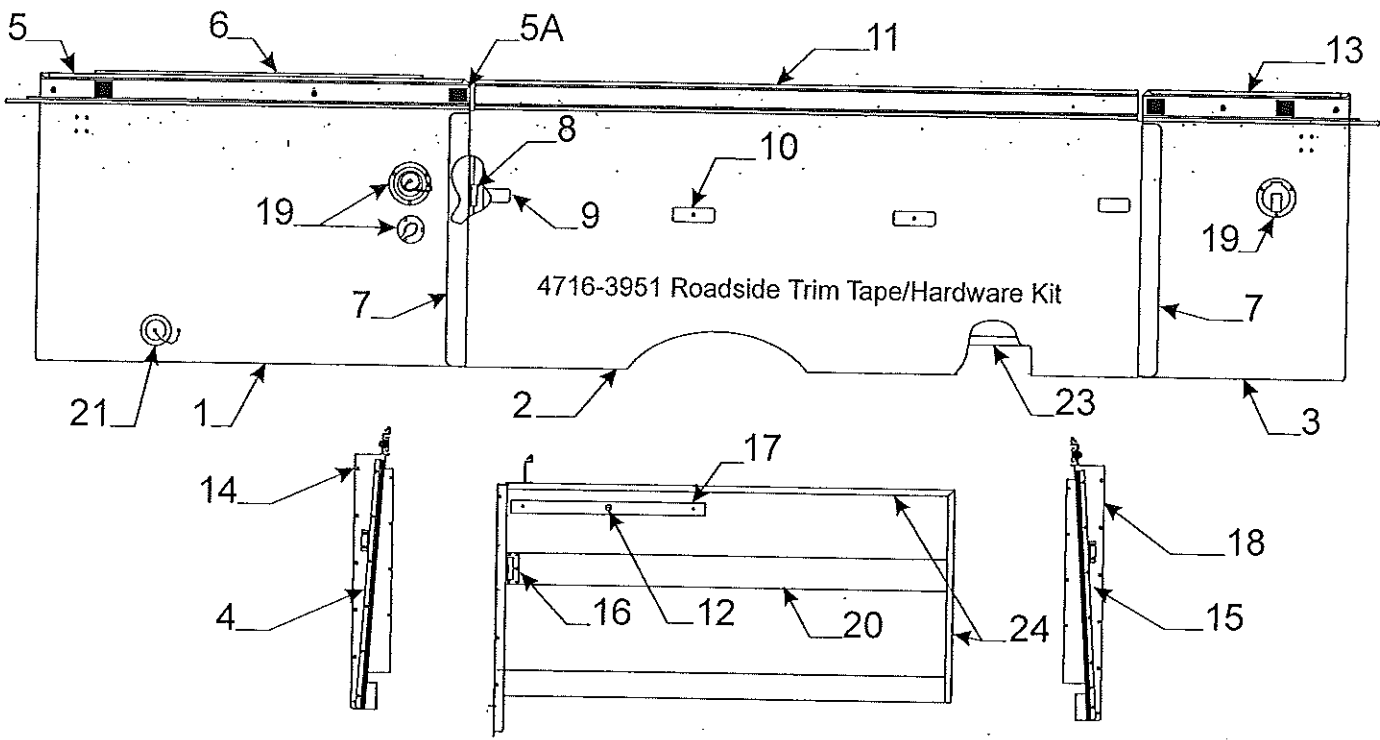
- * Add .50 For Heater Vent
- * Add 1.00 For Refrigerator
- * Add .50 For Hot Water Heater



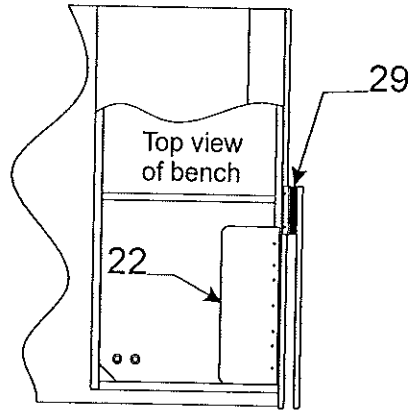
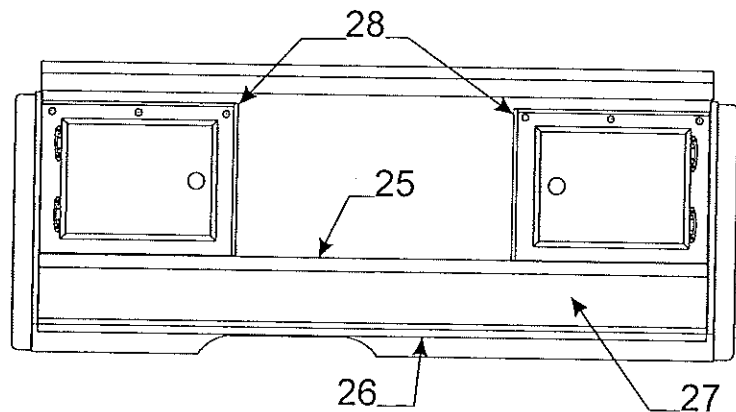
15

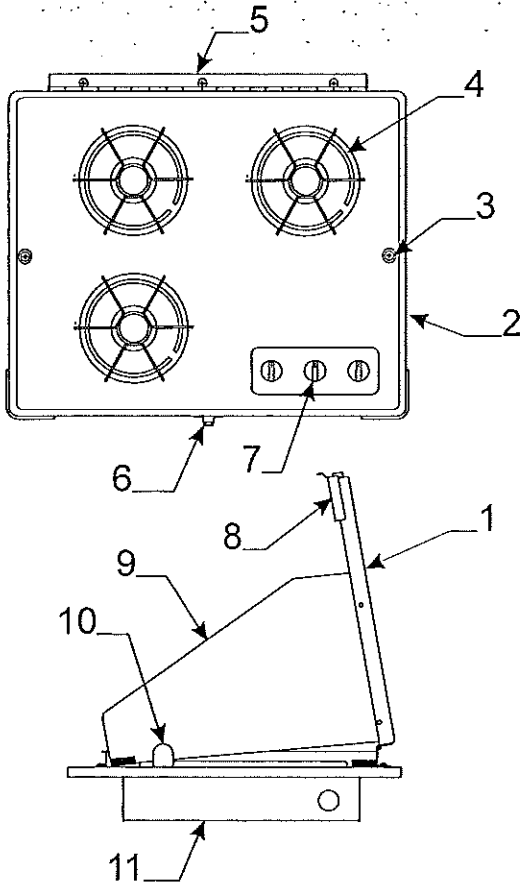
4716-3951 Roadside Trim Tape/Hardware Kit			
Roadside Left Body Panel & Components			
Flat Rate	Code	Part #	Description
*2.00	1	4757G3091	left side body pnl. 3989 Colonial
*2.00		4767C1481	left side body pnl. 3959 Victory
*2.00		4759A0721	left side body pnl. 3996 Resolute
*2.00		4754N2141	left side body pnl. 3991 Allegiance
*2.00	**	4767A3581	left side body pnl. 3951 Valor
3.00	2	4757B9641	left side body rail 3989, 3959, 3996
3.00		4767B3161	left side body rail 3951, 3991
.10	2A	4716-2771	vel-stick body rail pkg.
		4757-0731	wire grommet & nut
.15	3	4716-7061	inner/outer miter cover pkg. m4
			Note: pkg. Includes rivets
.25	4	4734C4121	lift trim, rivets & gasket pkg. m4
.15	5	4741C6041	top latch w/lock tab
		4749-4848	foam pad
.50	6	4716-3951	trim tape & hardware kit
.30	7	4731D1711	water tank spout
	8	4741-3508	hex head tek screw x3
.15	9	4733B23361	cable hatch
.30	10	4732F1521	city fill
	11	4060050008P	1/2" x 1" foam tape pkg. (12' pc.)
.50	12	4747D8321	refrigerator vent "upper"
		4745-3968	painting screw arctic wht.
.50	13	4747D8331	refrigerator vent hinged "lower"
.25	14	4750C5861	o/s shower complete
.15		4750A2961	lock assy. w/key
.25	15	4716-1331	water heater door
.10	16	4714A2861	drain cap & strap
	17	4755-7501	power cord clip 3959 (not shown)

****Revised 9/1/05**

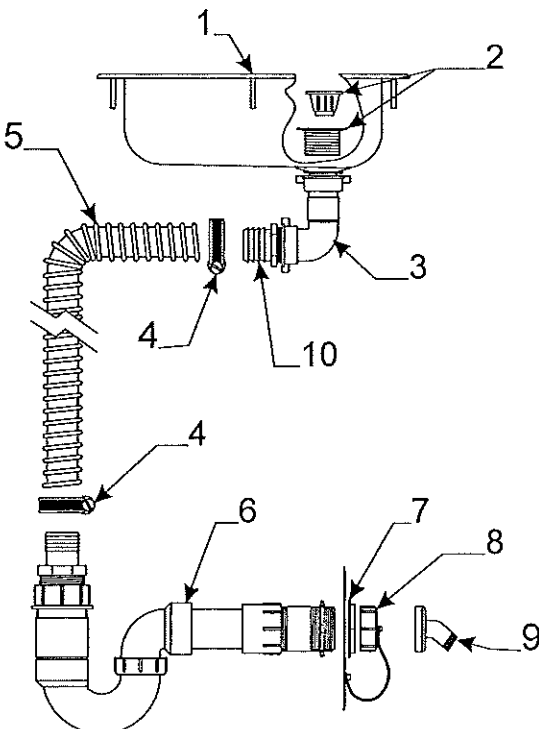


Flat Rate	Code	Part #	Description	Flat Rate	Code	Part #	Description
1.50	1	4767-3261	left front body panel	1.65	14	4759D5031	bulkhead left front
1.00	2	4757D5411	glide-out body panel	.35	15	4756-3511	rsr glide-out seal track
1.50	3	4767-3191	left rear body panel			4064700589P	side seal "black" pkg. (8' pc.)
.35	4	4756-3521	rsf glide-out seal track	.15	16	4756-2171	lock boot w/cover plate
		4064700589P	sweep seal "black" pkg. (8' pc.)	.25	17	4754-3811	vel-stick (must cut to size)
1.00	5	4767A3271	left rear body rail	1.65	18	4759D5041	bulkhead left rear
		4757-0731	wire grommet & nut			19	Note: refer to page 10 for this item
	5A	4716-2771	vel-stick pkg.	.50	20	4756-8471	ABS ware strip x2
.25	6	4737D2231	curtain track			21	Note: refer to page 10 for this item
		1203-8678	rivet m25 (rivet track to rail)	.40	22	4756B6131	metal flip-up backrest x2
.25	7	4716-8041	angle seal pkg. frt./rr	.20	23	4756-2651	3/4" wht. L-channel 48" pc.
		4060000023P	d-seal pkg. "white" (5' pc.)	.20	24	4756C1461	U-channel 48" pc.
.75	8	4756A4171	strike w/screws	.50	25	4757C2161	edge cap "painted maple"
		4756-3251	shim	.50	26	4757-2351	floor sweep
.75	9	4755-4091	latch & gasket	.25	27	4756D6041	wood kick plate assy.
.75	10	4756-1181	pull handle			28	Note: refer to page 24 for bench components
		4738-2608	tek screw "black"	.10	29	4756-1151	5 1/2" brush seal
.75	11	4756A9951	glide-out body rail	1.25	31	3568803202P	ware plate "galvanized" 30x55
		4730A3548	stud w/screw				Note: Plate located on bottom side of floor
1.00	13	4767A3241	left rear body rail	1.25	32	4757B5601	g/o cover plate assy. "black"



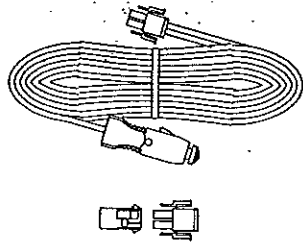


Flat Rate	Stove Component Parts (Upper Galley Assy.'s)	Code	Part #	Description
.15	1	4741G6261	stove cover assy. (lt. hand fin loc.)	
.15		4741G62681	stove cover assy. (rt. hand fin loc.)	
		4746B8561	3 burner cook top "white"	
.05	3	4716-2631	stove top screw/washer m2	
.05	4	4752A9881	stove grate x3	
.10	5	4716-2671	stove cover hinge	
.15	6	4733-4018	stove cover latch	
.15		4733-4028	stove cover strike	
.05	7	4716A1861	knob	
	8	4732A2291	edge molding m2	
.25	9	4716-2661	stove fin "right"	
.25		4716-2651	stove fin "left"	
.15	10	4716-2641	stove fin stay brkt. m2	
.75	11	4739H2931	3 burner stove box	

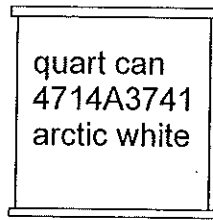


Flat Rate	Sink & Component parts	Code	Part #	Description
.30	1	4710F0301	sink "stainless"	
.05	2	4714C0661	crumb cup "only" (wht. threaded)	
.25		4730E3151	crumb cup & basket	
.40	3	4757-0861	elbow pkg.	
Note: pkg. includes elbow, washer, nut and adapter				
			4757-9131	1 1/4" rubber washer
	4	4715-4501	1 1/4" hose clamp	
.80	5	4060012503P	1 1/4" drain hose pkg. (10' pc.)	
Note: must cut hose to length				
.75	6	4759B5411	drain trap assy. 3989	
.75		4758C5431	drain trap assy. 3991, 3951, 3996	
.75		4767B5811	drain trap assy. 3959, 3950	
	7	4757-0921	1 1/2" metal nut "white"	
.10	8	4714A2861	cap & strap	
	9	4737-9138	drain adapter	
.40	10	4757A0871	adaptor 1 1/4" barb	

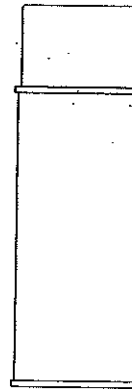
4733D6701 auto extension



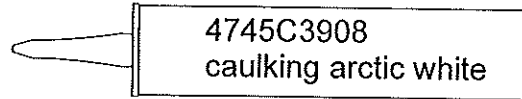
4716A4701 12 volt cap & plug m2



quart can
4714A3741
arctic white

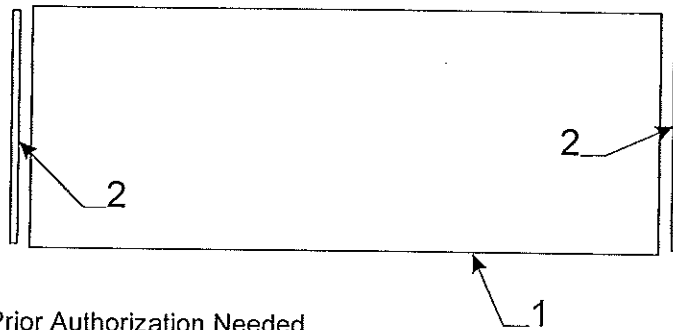


16 oz. spray
0008-2561 arctic white
0008-2571 black
0008-2641 black textured
0008-2681 windsor birch



4745C3908
caulking arctic white

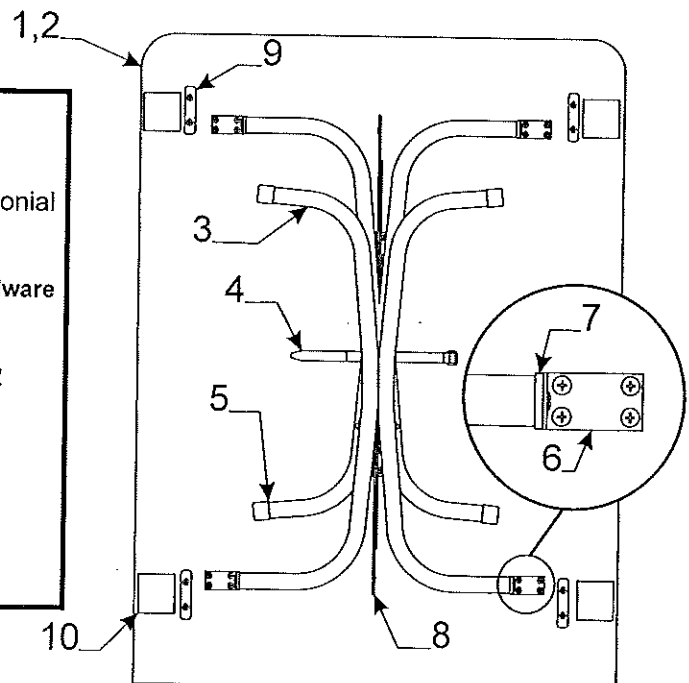
4767-4608
TPO caulking arctic white

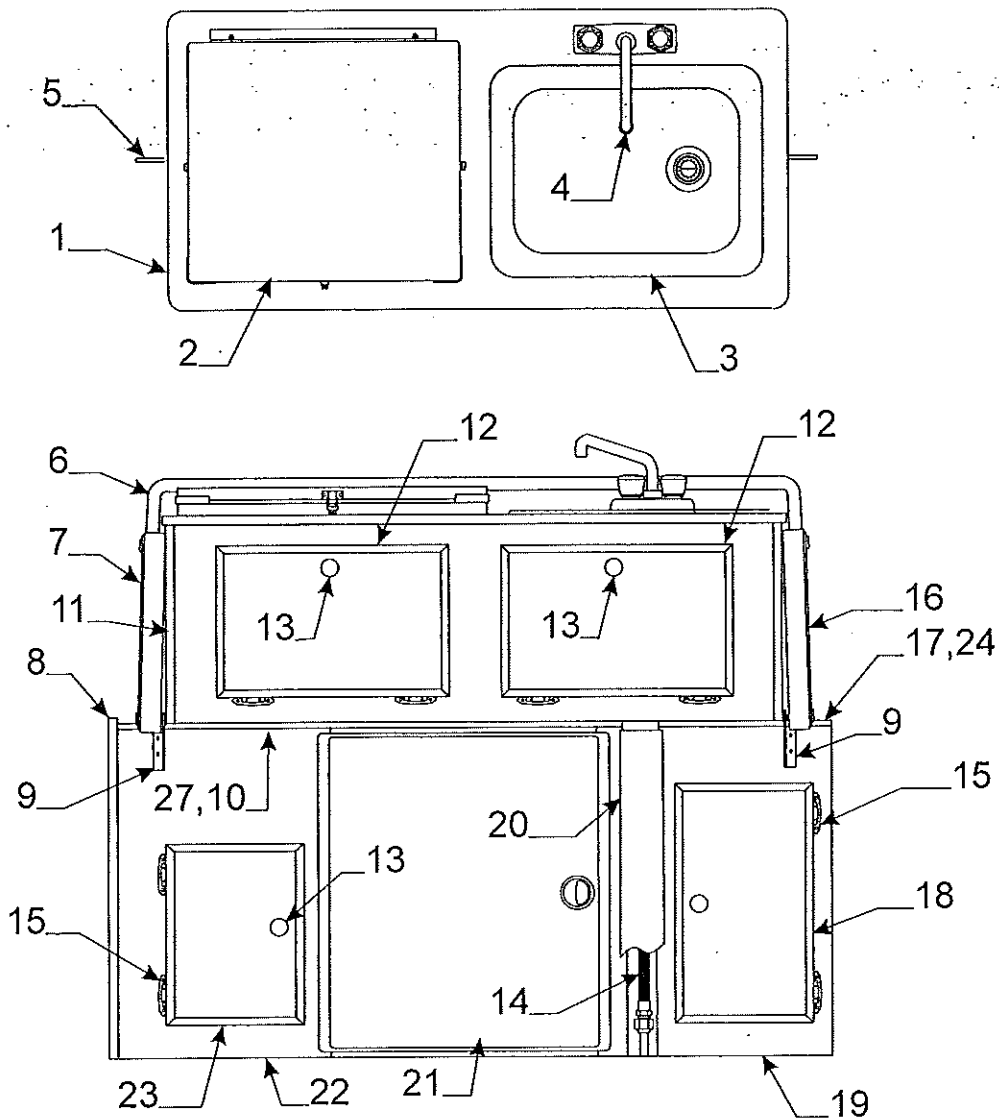


* Prior Authorization Needed

Flat Rate	Paneling & Trim (Must Cut To Size)		
	Code	Part #	Description
*	1	4757C3301	universal wall panel 80" x 23 13/16"
*	2	4060400380P	universal corner divider m2 48" pc.

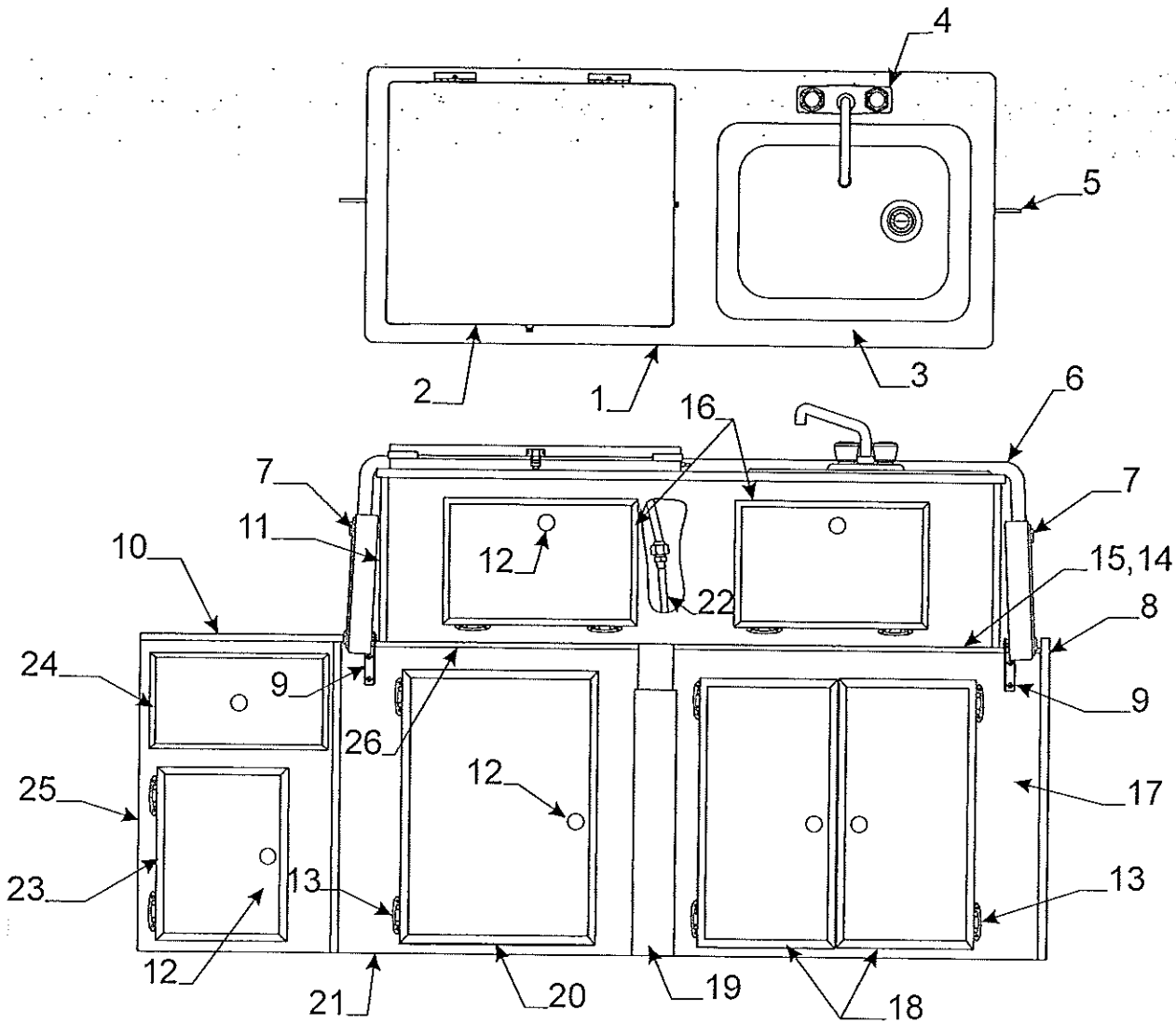
Flat Rate	Dinette Table Assembly Components		
	Code	Part #	Description
.50	1	4756C8461	table top 30" x 39"
.50		4767-4041	table top 30" x 41" 3989 Colonial
.30	2	4060475002P	t-molding pkg. (9' pc.)
.50	3	4745K5271	table leg package
	Note: pkg. includes 2 legs & required mounting hardware		
.10	4	4751A9711	strap & screw pkg.
.10	5	4752-0551	white plastic cap m2
.15	6	4720F1211	table leg mounting brace m2
		1103E1018	5/8" wood screw
.15	7	4752A0561	table leg insert cap m2
.25	8	4744-6971	lock brace assy. x2
		1103E1018	5/8" wood screw
.15	9	4756-8741	table top plastic spacer m4
		1103B08148	7/8" screw (x2 per spacer)
.05	10	4724D2631	velcro fastener m4





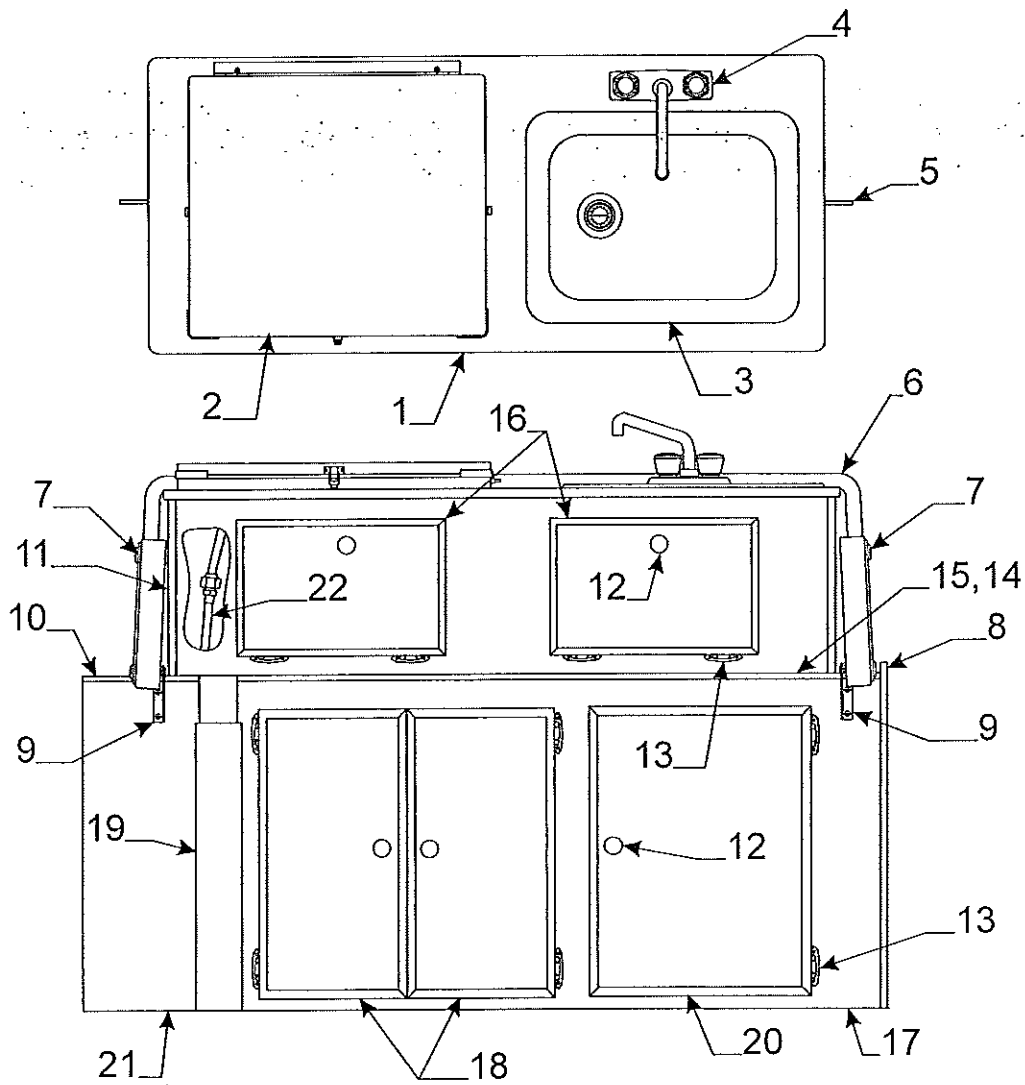
* Add .50 With Furnace

Flat Rate	Upper/Lower Galley	3989 Colonial, 3996 Resolute	Flat Rate	Code	Part #	Description
1.25	1	4759B3181	.65	11	4716F0151	3/8" f-channel 24" pc.
.30		4060462509P	.15	12	4758A3131	door pnl. 14 1/4" x 10"
	2	Note: refer to page 12 for stove components				
.80	3	4710F0301	.10	13	4748C3951	door pull w/screws
			.25	14	4753-5581	flexible gas hose
1.00	4	4745E2741	.10	15	4762-4878	hinge
.75	5	4756A6631	.15	16	4757C1951	plastic chain cover (right)
		4734E1861	1.00	17	*4767-2191	lower galley top rt.
1.00	6	4756G1511	.15	18	4758A3101	door pnl. 18 1/2" x 8 3/4"
		4744-6321	1.00	19	4754D8401	lower galley frt. rt.
.15	7	4757C1941	.25	20	4750G6731	filler assembly
.75	8	*4758B0871	.50	21	4754A0481	built-in cooler
.30		4060400091P	.75	22	*4767-2181	lower galley frt. lt.
.60	9	4716A1821	.15	23	4758A4041	door pnl. 12" x 9 1/8"
1.00	10	*4758A8421	.10	24	4060175000P	edge trim wood grain 6' pc.
.20		4746C0971				kill switch m4
.20		4733C4981				rocker switch (elec. pump)



* Add .50 with furnace

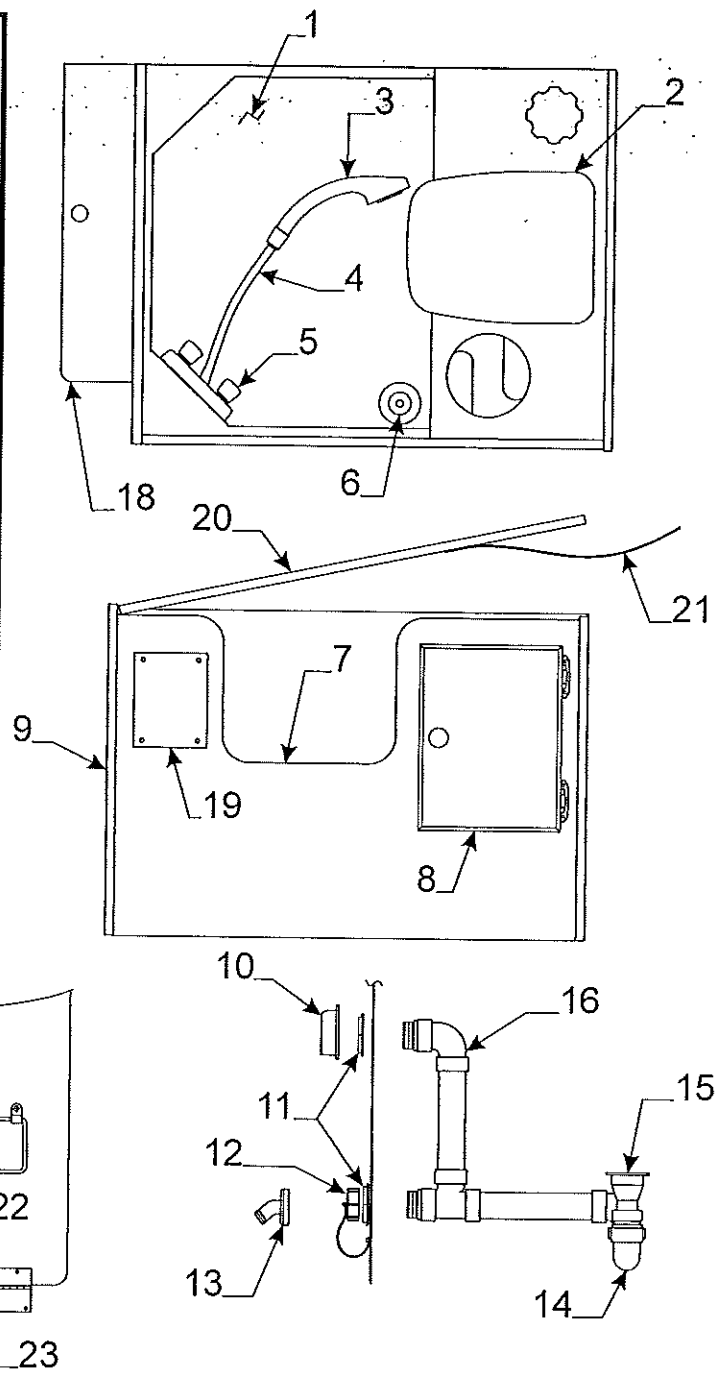
Flat Rate	Upper/Lower Galley	3951 Valor, 3991 Allegiance	Flat Rate	Code	Part #	Description
2.00	1	4759A3221	.10	14	4060175000P	1/2" x 3/4" trim angle 6' pc.
.30		4060462509P	1.00	15	4767-2461	lower galley top rt. 3991
	2	Note: refer to page 14 for stove components				
.80	3	4710F0301	1.00		4767-4121	lower galley top rt. 3951
		Note: refer to page 14 for sink components				
1.00	4	4745E2741	.20		4746C0971	kill switch m4
.75	5	4752A9271	.20		4733C4981	rocker switch (elec. pump)
		4734E1861	.15	16	4767-2451	door panel
1.00	6	4756C4071	1.00		4733-6391	latch & strike pkg.
		4757-6341	1.00	17	4757B8161	lower galley front rt. 3991
.15	7	4757C1911	1.00		4767-4131	lower galley front rt. 3951
.15		4757C1921	.15	18	4758A3101	door panel 8 3/4"x 18 1/2"
.75	8	4767-2471	.15	19	4750G6731	filler assembly
.30		4060400091P	.15	20	4758A4561	dr. panel 18 1/2" x 13 3/4"
.60	9	4716A1821	1.00	21	4767A4051	galley front lt. 3951, 3991
1.00	10	4756D8791	.45	22	4753-5581	flexible gas hose 48"
1.00		4767-4081	.15	23	4758A4041	door assy. 12" x 9 1/8"
.30		4060475002P	.10	24	4767-3201	drawer pnl. 13" x 8"
		4747-8941			4767A6981	drawer assy. 3991
	11	4716F0151	.75	Note: refer to page 20 for drawer components		
	12	4748C3951	.75	*25	4756C8771	cabinet front 3991
.10	13	4762-4878	.75	*25	4767-4061	cabinet front 3951
			.75	26	4757G0051	lower galley top lt.



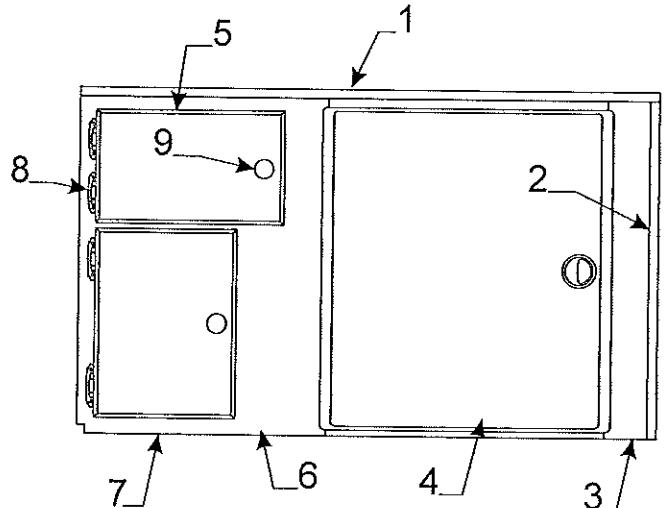
* Add .50 with furnace

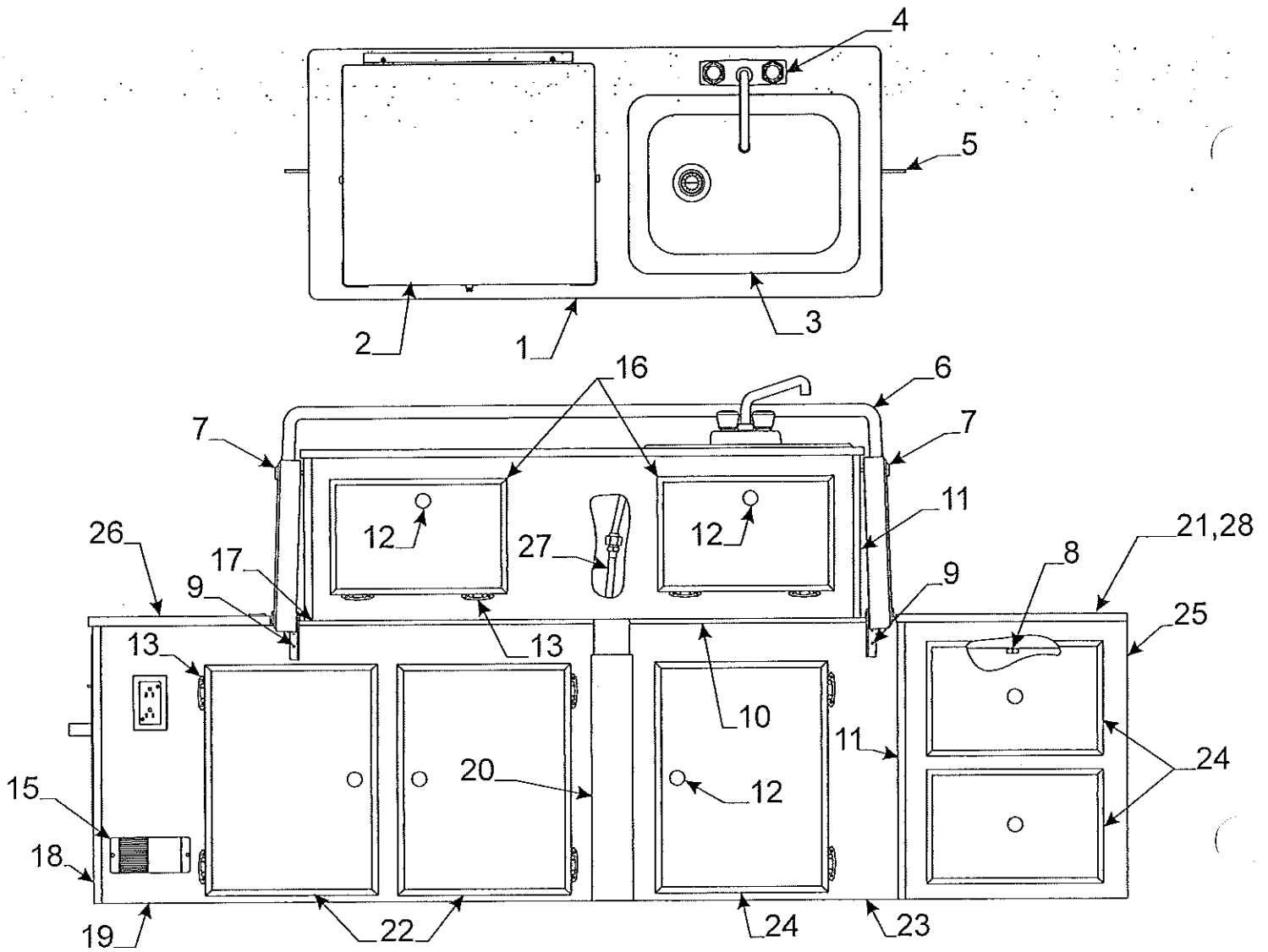
Flat Rate	Upper/Lower Galley	3959 Victory	Flat Rate	Code	Part #	Description
2.00	1	4767A1351 galley top	.65	11	4716F0151	3/8" f-channel 24"pc.
.30		4060462509P t-molding pkg. (14' pc.)	.10	12	4748C3951	door pull w/screws
.80	2	Note: refer to page 14 for stove components	.10	13	4762-4878	hinge
	3	4710F0301 sink "stainless steel"	.10	14	4060175000P	1/2" x 3/4" trim angle 6' pc.
		Note: refer to page 14 for sink components	1.00	15	4767B1231	lower galley top rt.
1.00	4	4745E2741 mixer faucet	.20		4746C0971	kill switch m4
.75	5	4752A9271 upper galley pivot brkt. (lt. & rt.)	.20		4733C4981	rocker switch (elec. pump)
		4734E1861 rivet "elm" m25	.15	16	4758A3131	door panel 10" x14 1/4"
1.00	6	4767A0971 galley lift bar			4733-6391	latch & strike pkg.
		4757-6341 chain assy x2 per bar	1.00	17	4767B1241	lower galley front rt.
.15	7	4757C1911 plastic chain cover (left)	.15	18	4758A3101	door panel 8 3/4"x 18 1/2"
.15		4757C1921 plastic chain cover (right)	.25	19	4750G6731	filler assembly
.75	8	4767A1071 seat gazoodi	.15	20	4758A4561	dr. panel 18 1/2" x 13 3/4"
.30		4060400091P lipped t-molding 12' pc. pkg.	1.00	21	4767B1251	galley front lt.
.60	9	4716A1821 lower galley brkt. pkg.	.45	22	4753-5581	flexible gas hose 48"
1.00	10	4767C1261 lower galley top lt.				

Flat Rate	Code	Part #	Description
1.50	1	4759-1001	shower pan & cabinet assy.
.75	2	4746C2461	cassette potty
.15	3	4767-0101	shower head w/bracket
		4767-0111	shower head brkt. (c-shape)
.20	4	4741B2051	shower hose (72" length)
.50	5	4741B2071	shower diverter
.10		4716-0848	shower hose connector
.50	6	4746A1821	basket & strainer
1.50	7	4767A1131	shower threshold
.30		4060300083P	t-molding (threshold) (12' pc.)
.15	8	4758A3041	door pnl. 14 1/2" x 11 3/4"
.75	9	4767A1111	shower wall
.30		4060400091P	1/2" t-molding pkg. (12' pc.)
.20	10	4757-9261	vent cover "plastic"
.50	11	4757-0921	metal nut "white"
.10	12	4714A2861	cap & strap
	13	4737-9138	drain adapter
.40	14	4752-3621	p-trap w/union joint
	15	4757-8561	drain plug adapter
1.00	16	4741B9301	vent system
	17	4741D6361	tub package. (Not Shown)
	18	4767A1061	tub storage cover w/hole
		4747-8941	black plastic cap m2
	19	4757B2171	tub storage cover
	20	4754A7191	shower cover board
	21	4754-7401	hold-up strap
	22	4756-9121	TP holder
		4747-2531	nylon clamp m2
.25	23	4756-4441	shower board hinge

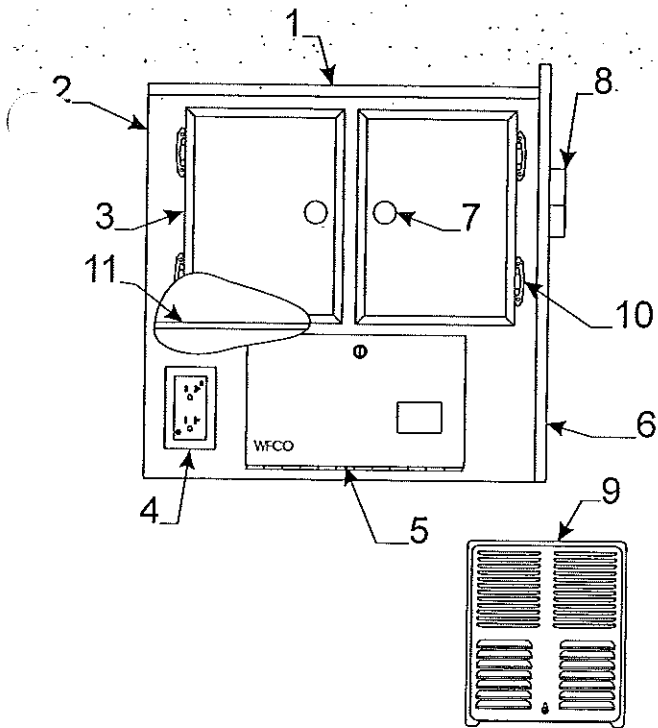


Flat Rate	Code	Part #	Description
1.50	1	4767A1171	hutch top
.30		4060475002P	t-molding pkg. (10' pc.)
		4747-8941	black plastic cap m2
.30	2	4767A1211	hutch side
.30	3	4767B1201	hutch front rt.
.25	4	4754A0481	built-in cooler
.15	5	4767A1551	door pnl. 11 1/2" x 7"
.75	6	4767C1181	cabinet frt. rt.
.15	7	4758A4041	door pnl. 9 1/8" x 12"
	8	4762-4878	hinge
.10	6	4748C3951	door pull (includes screw)



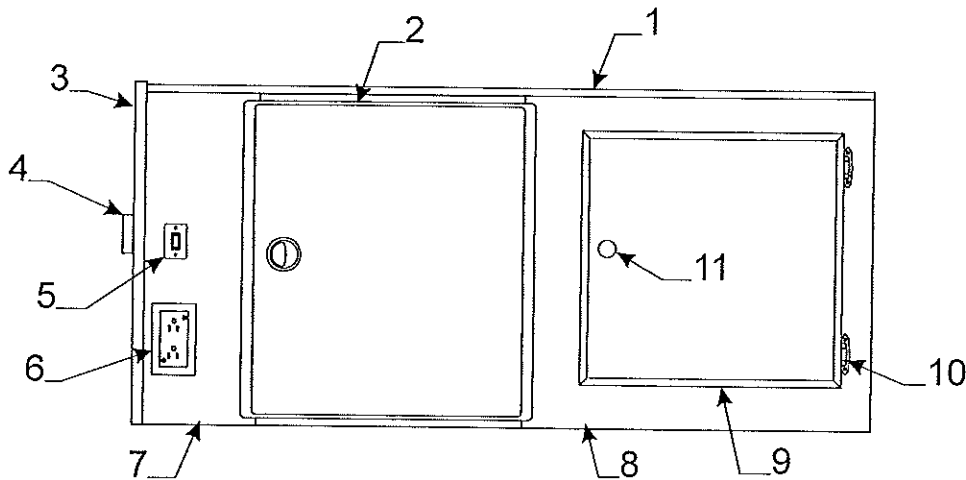


Flat Rate	Upper/Lower Galley Code	Part #	Components - 3950 Rushmore Description	Flat Rate	Code	Part #	Description
2.00	1	4759A3221	upper galley top	.10	13	4762-4878	hinge
.30		4060462509P	t-molding pkg. (14' pc.)	.25	14	4747-8941	black plastic cap m2
	2	Note: refer to page 12 for stove components		.25	15	4753-9171	lp gas detector
.80	3	4710F0301	sink "stainless steel"	.15	16	4767-2451	door pnl. 13" x 8"
		Note: refer to page 12 for sink components		1.00	17	4767-3341	lower galley top lt.
1.00	4	4745E2741	mixer faucet	.10		4060175000P	1/2" x 3/4" trim angle 6' pc.
.75	5	4752A9271	upper galley pivot brkt. (lt. & rt.)	.75	18	4767-3361	galley side
		4734E1861	rivet "elm" m25	1.00	19	4767A3351	lower galley frt. lt.
1.00	6	4756C4071	galley lift bar	.25	20	4750G6731	filler assembly
		4757-6341	chain assy x2 per bar	.50	21	4757F0171	cabinet top
.15	7	4757C1911	plastic chain cover (left)	.15	22	4758A4561	door pnl. 13 3/4" x 18 1/2"
.15		4757C1921	plastic chain cover (right)	.75	23	4767-3381	lower galley frt. rt.
	8	4733-6391	latch & strike	.15	24	4767-3201	drawer frt. 13" x 8"
.60	9	4716A1821	lower galley brkt. pkg.	.10		4767A6981	drawer assy. x2
1.00	10	4767-3371	lower galley top rt.	.50	25	4756G3791	cabinet front
.10		4060175000P	1/2" x 3/4" trim angle 6' pc.	.50	26	4757C2481	lower galley top
.20		4746C0971	kill switch m4	.45	27	4753-5581	flexible gas hose 48"
.65	11	4716F0151	3/8" f-channel 24" pc.				
.10	12	4748C3951	door pull w/screws				



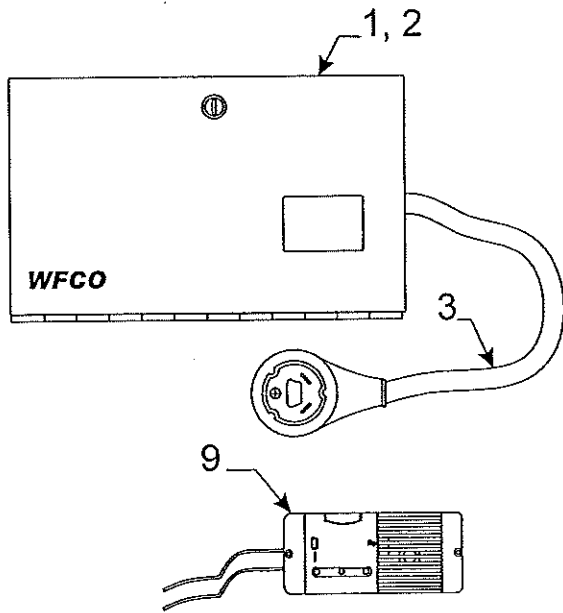
Flat Rate	Code	Part #	Description
.25	1	4767-4581	cabinet top
.30		4060475002P	t-molding (9' pc. pkg.)
.75	2	4758E3901	cabinet front
.15	3	4758A4041	door panel 12" x 9 1/8"
.20	4	4752-2371	20 amp receptacle
1.00	5	4753C8201	converter 25 Amp
1.00	6	4756C0011	gazoodi
.30		4060400091P	t-molding pkg. (14' pc.)
.10	7	4748C3951	door pull w/screws
*	8	4755B8201	nylon block x2
.10	9	4743-3551	furnace grill
.10	10	4762-4878	hinge (spring loaded)
.20	11	4755F358	converter cover shelf x2

* Prior Authorization from factory needed.

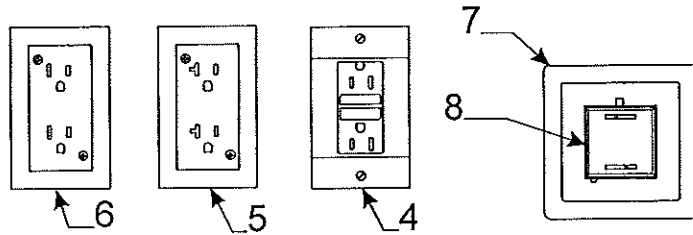


Flat Rate	Code	Part #	Description
1.50	1	4756F3831	hutch top
.30		4060475002P	t-molding (9' pc. pkg.)
.50	2	4754A0481	built-in cooler
1.00	3	4756C0011	gazoodi
.30		4060400091P	t-molding pkg. (14' pc.)
	4	4755B8201	nylon block x2
.20	5	4733C4981	rocker switch (water pump)
.20	6	4752-2361	15 amp receptacle
.75	7	4767-3471	hutch frt. "left"
.75	8	4767-3411	hutch frt. "right"
.15	9	4758B4671	door pnl. 16 5/8" x 16 7/8"
.10	10	4762-4878	hinge
.10	11	4748C3951	door pull w/screws

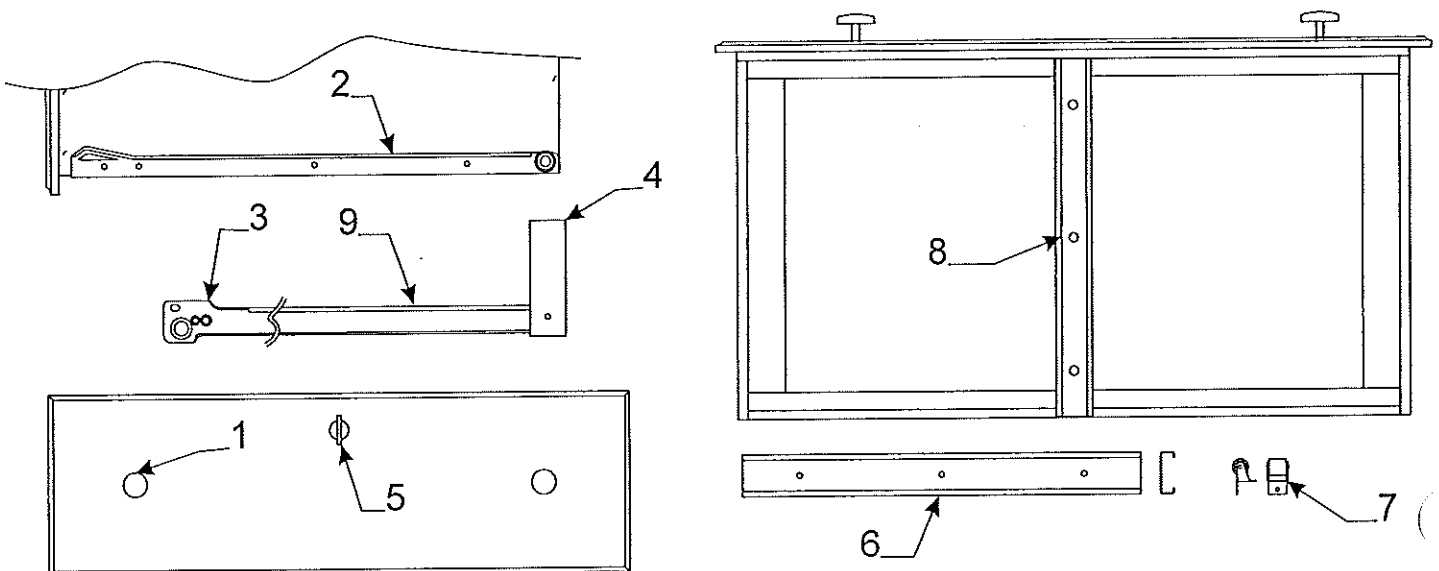
WORLD FRIENDSHIP CO., LTD
 Warranty: 800-900-2468

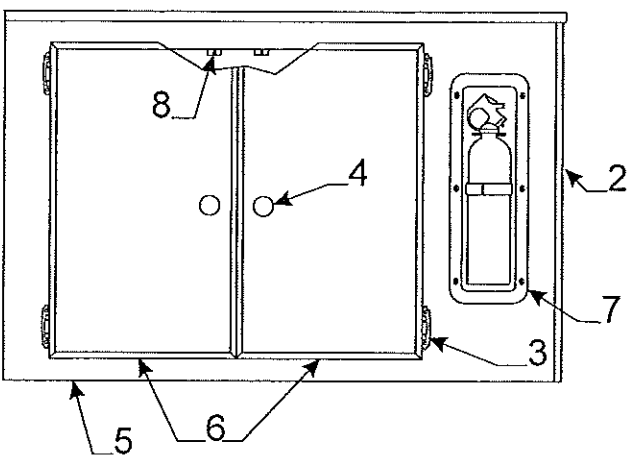
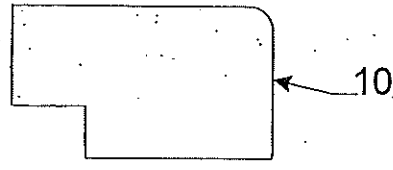
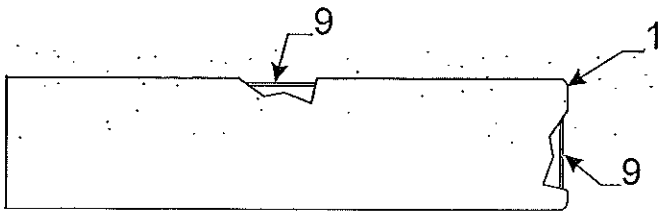


Flat Rate	Code	Part #	Description
1.00	1	4753D8201	converter 25 amp WFCO
.15	2	4716B1301	converter face cover (metal)
.15		4716C1301	converter face cover (plastic)
.60	3	4744A3101	power cord 31 ft.
.35	4	4746B3841	15 amp GFI receptacle w/cover (wht.)
.35		4755-8321	20 amp GFI receptacle w/cover (wht.)
.20	5	4752-2371	20 amp receptacle w/cover (wht.)
.20	6	4752-2361	15 amp receptacle w/cover (wht.)
		4746A3851	receptacle box
	7	4752A8461	thermostat
.20	8	4747-8391	plastic base & bracket
.25	9	4753C9171	lp gas detector



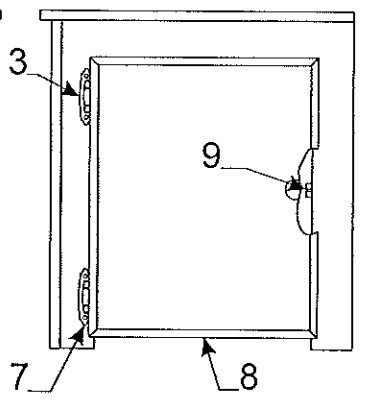
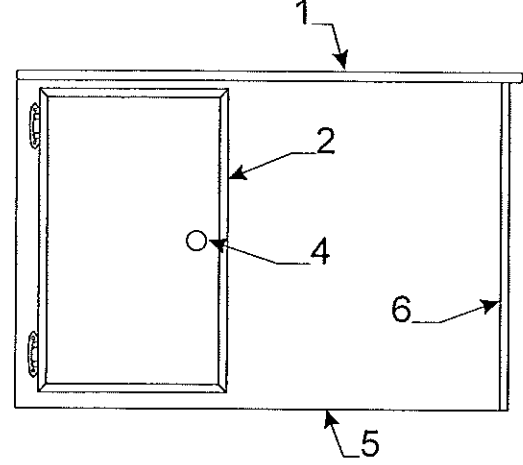
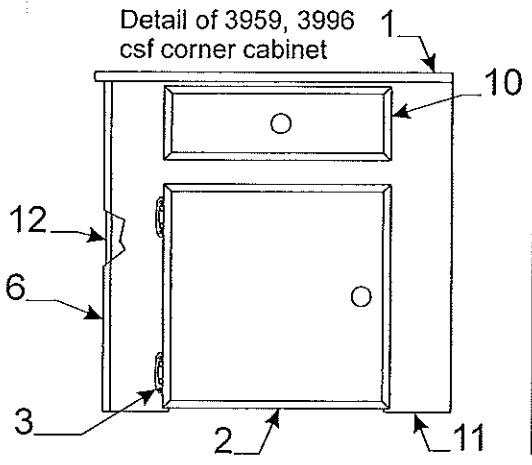
Flat Rate	Code	Part #	Description
.10	1	4748C3951	door pull w/screw
.50	2	4716-8841	16" drawer guide pkg.
.50	3	4716-8911	22" drawer guide/socket set (Must cut to length)
.25	4	4758-173	drawer guide brkt. 12 1/4"
.25		4758-292	drawer guide brkt. 14"
.15	5	4757A9081	brass thumb turn lock
.25	6	4757-8901	14" metal drawer guide
.10	7	4757-8911	drawer roller m2
.25	8	4757-9101	14" pvc i-beam drawer guide



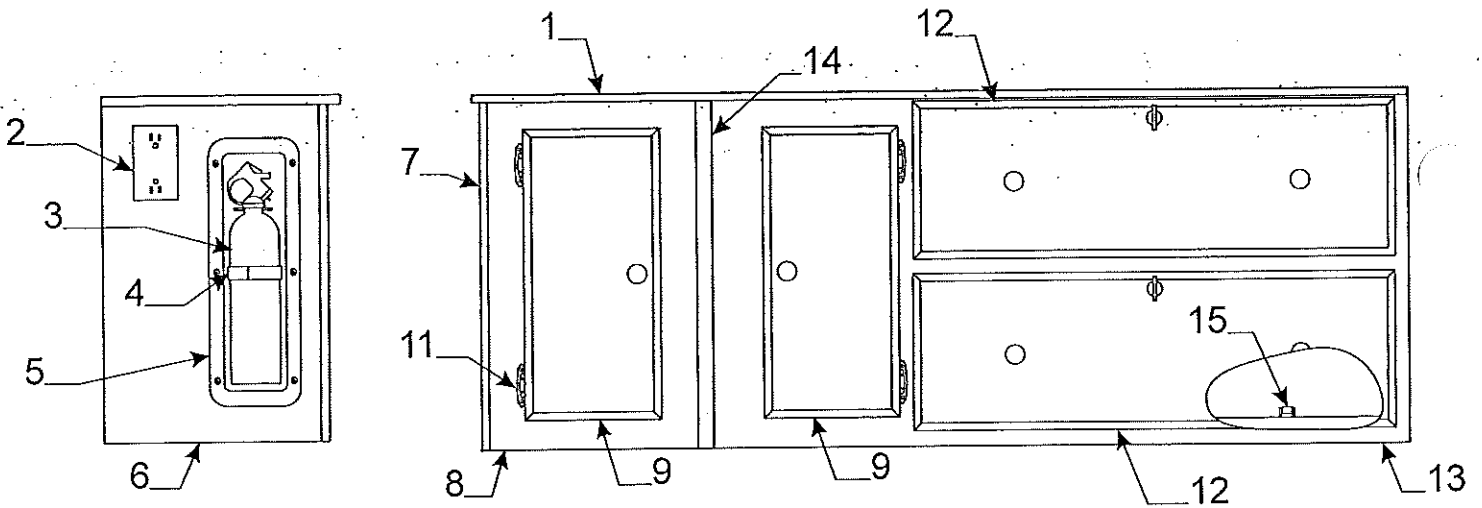


Flat Rate	Code	Part #	Description
Doorway Hutch Assembly - 3959, 3991, 3951			
.25	1	4767A1001	cabinet top 3959
.25		4767-2661	cabinet top 3991
.25		4756F4311	cabinet top 3951
.30		4060475002P	t-molding pkg. (9' pc.)
.35	2	4716F0151	3/8" f-channel 24" pc.
.10	3	4762-4878	hinge
.10	4	4748C3951	door pull (includes screw)
.30	5	4767A0981	cabinet side 3959
.30		4759A1181	cabinet side 3951
.30		4767-2651	cabinet side 3991
.15	6	4758A3061	door pnl. 18 1/2" x 12"
.15		4758A4561	door pnl. 18 1/2" x 13 3/4"
	7	Note: refer to page 22 for fire extinguisher	
.15	8	4733-6391	latch & strike pkg.
.30	9	4714-6951	universal panel
.30	10	4767A1011	gazzodi 3959
.30		4060400091P	lipped t-molding pkg. (12' pc.)

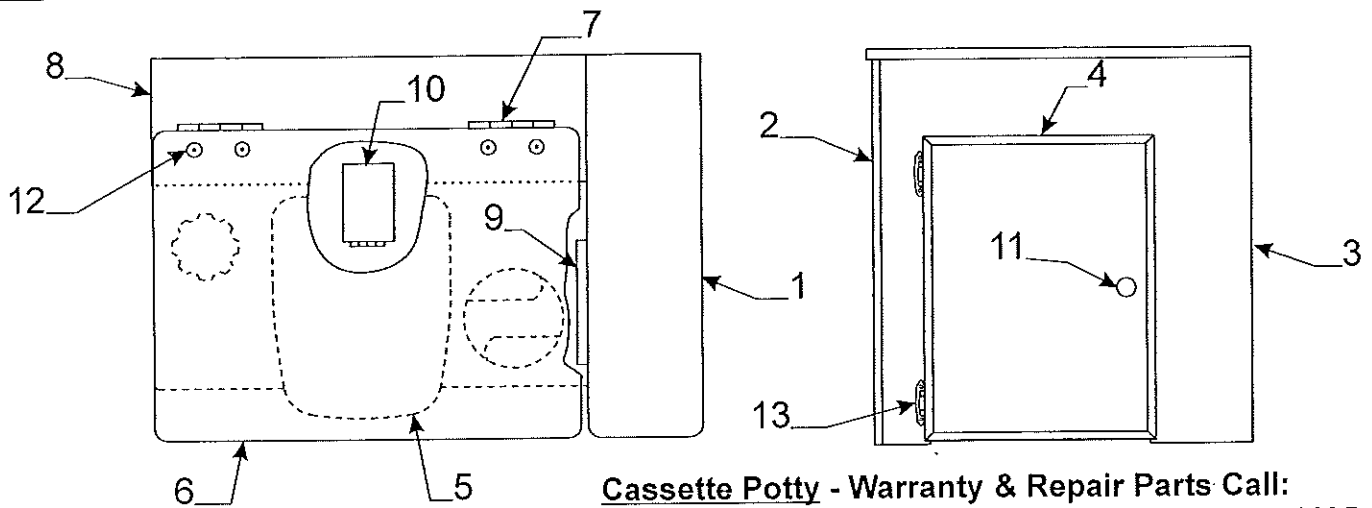
Detail of 3959, 3996
csf corner cabinet



Flat Rate	Code	Part #	Description	Flat Rate	Code	Part #	Description
CSF/CSR Corner Cabinet 3989, 3959, 3996, 3950							
.50	1	4758A2961	cabinet top 3959, 3996	.65	6	4716F0151	3/8" f-channel 24" pc.
.50		4756D4701	cabinet top 3989, 3950	.50	7	4754D8211	cabinet side 3959, 3996
.30		4060462508P	t-molding pkg. (14' pc.)	.50		4759A0961	cabinet side 3989, 3951
.15	2	4758A4261	dr. pnl. 15 1/8" x 15 1/8" 3959, 96	.15	8	4758A3061	door pnl. 18 1/2" x 12"
.15		4758B4671	dr. pnl. 16 7/8" x 17" 3989, 3951	.15	9	4733-6391	latch & strike
.10	3	4762-4878	hinge	.15	10	4758A3081	drawer frt. 14 3/4" x 4 3/4"
.10	4	4748C3951	door pull w/screws	.10		4767C5451	drawer assy. 3959, 3996
	5	4714-6951	cabinet frt. 3959, 3996	.50	11	4754D8211	cabinet front 3959, 3996
		4756E4671	cabinet frt. 3989, 3951	.30	12	4714-3951	cabinet side 3959, 3996

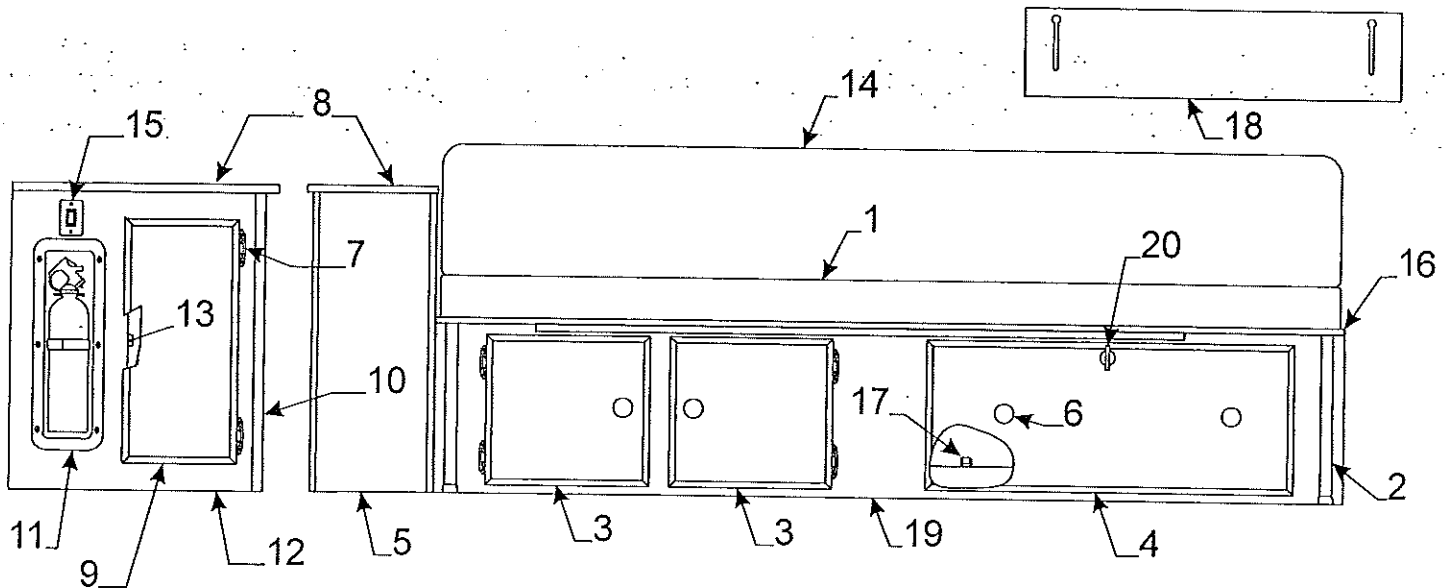


Flat Rate	Code	Part #	Description	Flat Rate	Code	Part #	Description
.75	1	4759A1621	hutch top	.15	9	4758A3101	door panel 8 3/4" x 18 1/2"
.30		4060462508P	t-molding pkg. (9' pc.)	.10	10	4748C3951	door pull (includes screws)
.20	2	4752-2361	15 amp receptacle	.10	11	4762-4878	hinge
.10	3	4737A5558	fire extinguisher	.15	12	4767-2401	door/drawer frt. 30 1/4" x 9 1/4"
.05	4	4716-1191	fire extinguisher strap m2	.10	12A	4754-7921	drawer assy. x2
.15	5	4737B4198	recessed mount				Note: refer to page 20 drawer components
		4738-3088	screw x6	1.25	13	4754G0551	hutch front "large"
.55	6	4767-2331	hutch side	1.00	14	4060400176	3/8" h-channel connector
.65	7	4716F0151	3/8" f-channel 24" pc.	.10	15	4757-8911	drawer roller guide m2
.50	8	4754G0491	hutch front "small"	.15	16	4767-3601	thumb turn lock



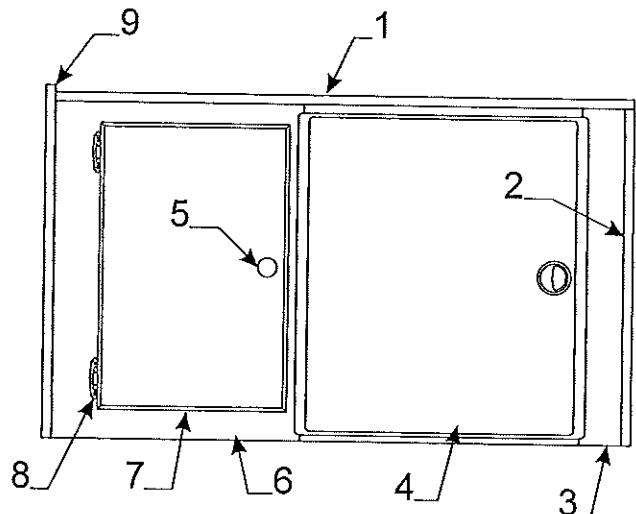
**Cassette Potty - Warranty & Repair Parts Call:
Thetford - Phone # 1-800/354-4135**

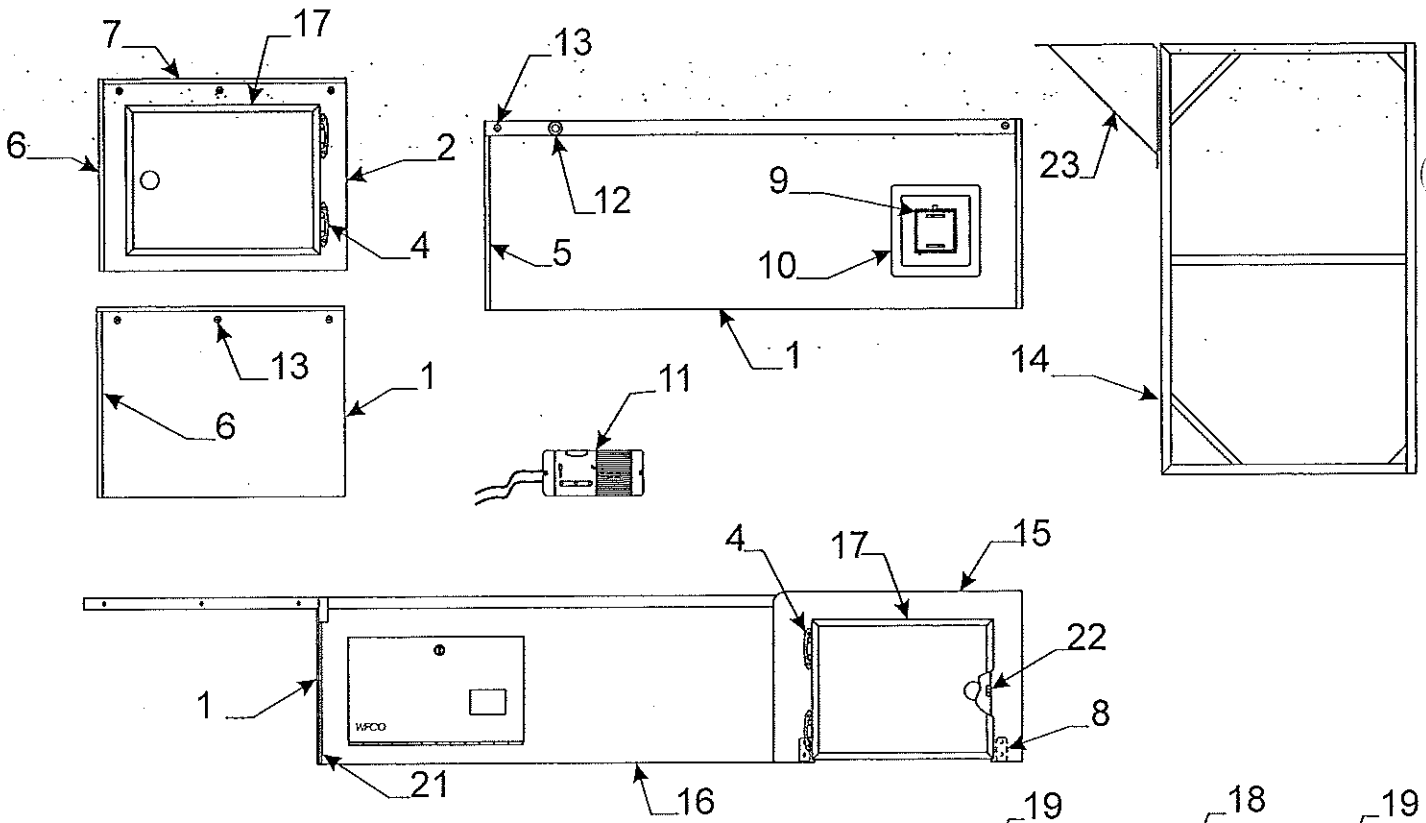
Flat Rate	Code	Part #	Description	Flat Rate	Code	Part #	Description
.25	1	4758A3931	cabinet top	.20	7	4750-3921	lid hinge x2
.30		4060450003P	t-molding pkg. (12' pc.)	.10	8	4750E3891	wood filler
.35	2	4716B1421	5/32" f-channel 24" pc.	.15	9	4750C3911	wood lid support rt./lt.
.40	3	4751E996	cabinet side	.15	10	4755C6911	flip-up lid prop (metal)
.15	4	4758A4561	door panel 13 3/4" x 18 1/2"	.10	11	4748C3951	door pull w/screws
.75	5	4746C2461	cassette potty	.05	12	4744D4601	5/8" headed rivet M25
.25	6	4767A0511	flip-up lid	.10	13	4762-4878	hinge
.30		4060450003P	t-molding pkg. (12' pc.)				



Flat Rate	Code	Part #	Description	Flat Rate	Code	Part #	Description
.10	1	4758E6191	cushion assy.	.65	10	4716F0151	3/8" f-channel (24" pc.)
.25		4714E6191	cushion cover		11	Note: refer to page 22 fire extinguisher	
.25	2	4758B6151	cushion leg x2	.50	12	4754L1621	cabinet side
		4756B1591	rivet m25	.15	13	4733-6391	latch & strike pkg.
.05		4752-0551	plastic cap m2	.10	14	4758E6201	backrest assy. (all)
.15	3	4767-2371	door panel 13 3/8" x 12 1/4"	.25		4714E6201	backrest cover
.15	4	4758A8491	drawer frt. 30 1/4" x 9 1/4"	.20	15	4733C4981	rocker switch m4
.10		4759C6751	drawer assy.		16	4755J5561	pull-out platform w/legs
		Note: refer to page 20 for drawer components				4754B2881	cushion stiffener angle
	5	4767-236	hutch front	.10	17	4757-8911	drawer roller guide M2
	6	4748C3951	door pull (includes screws)	.40	18	4752B0341	bench top w/slots
.10	7	4762-4878	hinge	1.00		4754K1641	bench front
.25	8	4759-4401	cabinet top	.15	20	4767-3601	thumb turn lock
.30		4060475002P	t-molding pkg. (9' pc.)				
.15	9	4758A3101	door panel 8 3/4" x 18 1/2"				

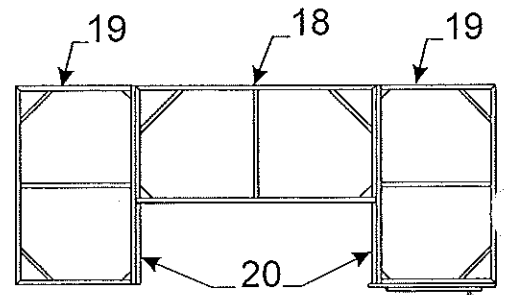
Flat Rate	Code	Part #	Description
1.50	1	4767A2381	hutch top 3951
1.50		4767-2501	hutch top 3991
.30		4060462506P	t-molding pkg. (9' pc.)
.30	2	4757A8771	cabinet side 3951, 3991
.75	3	4767-249	cabinet frt. rt. 3951, 3991
.25	4	4754A0481	built-in cooler
.10	5	4748C3951	door pull (includes screw)
.75	6	4767-3531	cabinet front "left" 3951
.75		4752K4551	cabinet front "left" 3991
.15	7	4758A4561	door pnl. 18 1/2" x 13 3/4"
.10	8	4762-4878	hinge
.30	9	4767-2471	gazoodi
.30		4060400091P	lipped t-molding (12' pc. pkg.)



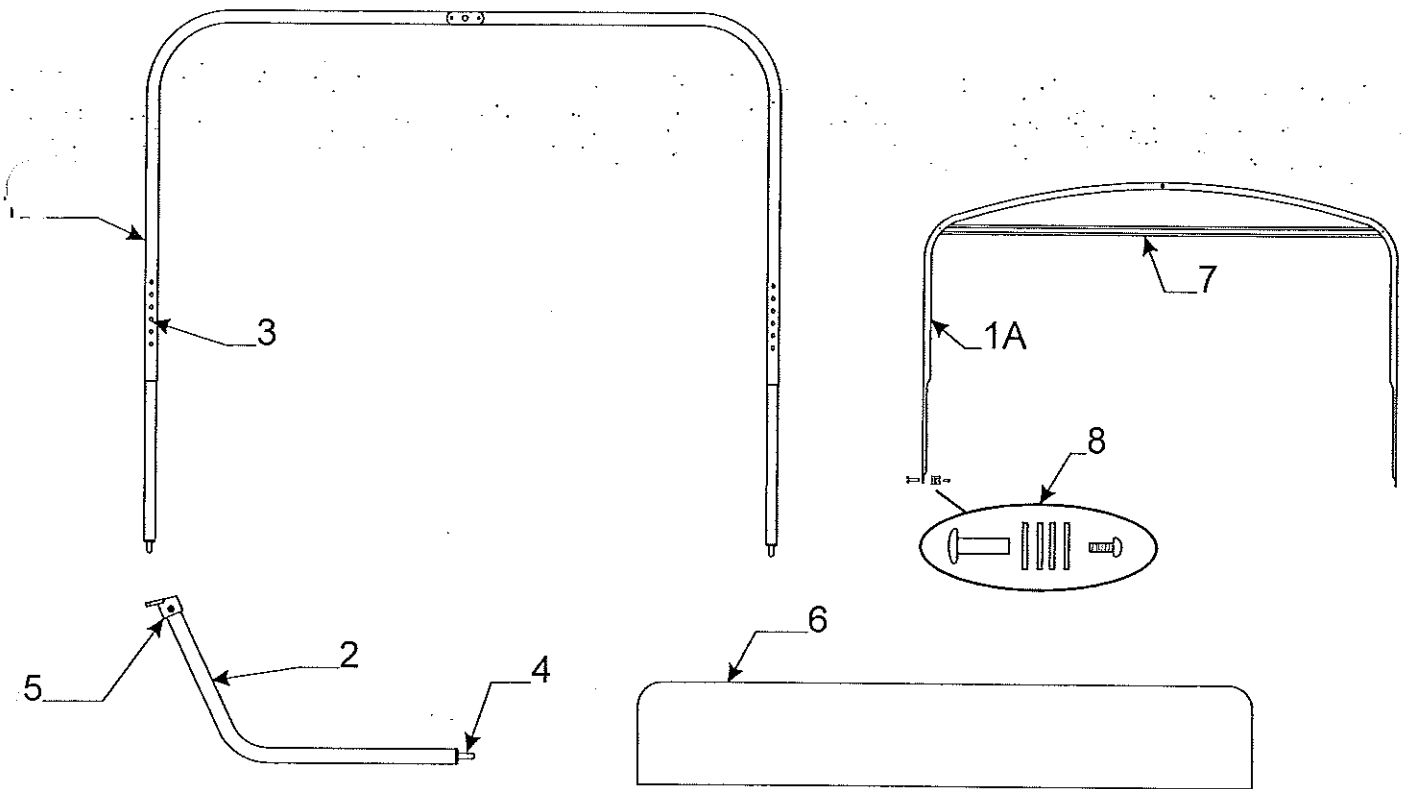


* Warranted Through Vendor

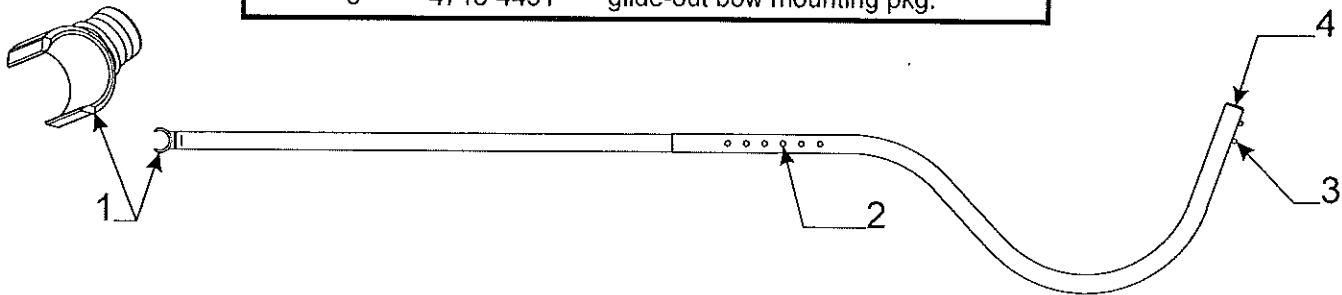
Flat Rate	Seat Bench Component Code	Part #	Description
.30	1	4714-6951	universal luan panel 48" x 48"
.35	2	4754E0371	seat end (glide-out benches) 3950
.10	3	4748C3951	door pull w/screws
.10	4	4762-4878	hinge
.15	5	4060400380P	corner molding 96" pc.
.35	6	4060115604P	5/32" f-channel 96" pc.
.50	7	4060015602P	5/32" u-channel 96" pc.
	8	4734A3851	L-bracket
*	9	4752A8461	thermostat
.20	10	4747-8391	plastic base & bracket
.25	11	4753-9171	lp gas detector
.05	12	4724-2608	stop button
		1103B1012	#10 - 3/4" screw
	13	4734E1861	rivet m25
		1202B0268	washer
	14	4759A6021	glide-out bench frame x2 3950
		4767A5861	dinnett bench frame x2 3989, 3996
		4759A5961	dinnett bench frame x2 3959, 51, 91
.35	15	4767-2551	seat end csf bench 3951, 3991
.75	16	4767A256	center seat front 3951, 3991
.15	17	4758A3111	door panel 16" x 12 1/4"
	18	4754-7951	center bench frame 3951, 3991
	19	4755-7021	cs/rs bench frame 3991
		4759B5911	cs/rs bench frame 3951
	20	4754C3361	pull-out cushion support "wood"
	21	4060000031P	sponge gimp pkg. (21' pc.)
	22	4733-6391	latch & strike pkg.
.15	23	4757E055	outside shower cover 3989



Front wraparound bench view
Models 3951 Valor, 3991 Allegiance

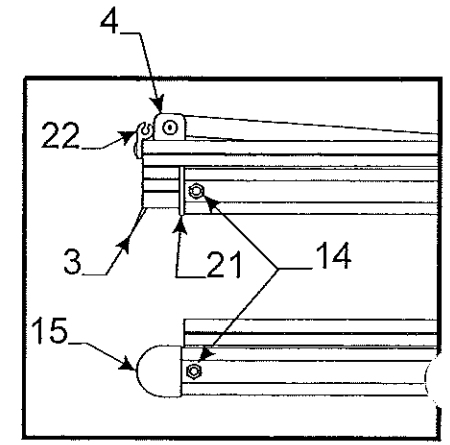
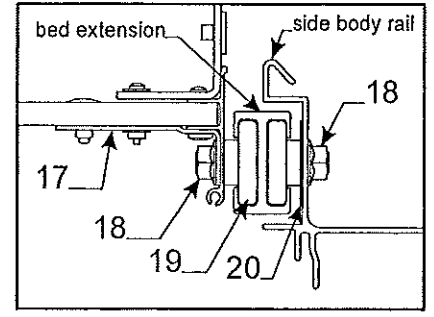
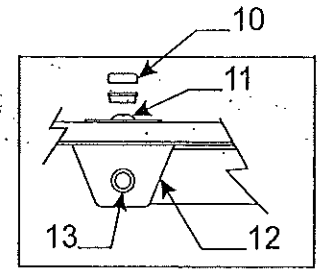
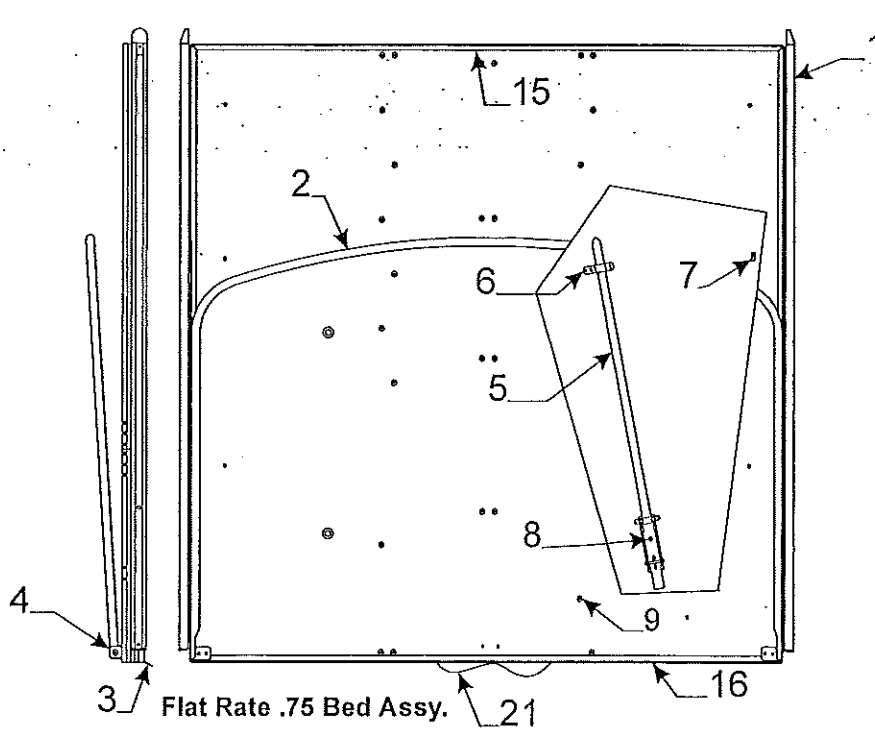


Flat Rate	Code	Part #	Description
.10	1	4754-7171	tip-out tent bow assy. 3959
.10		4759-5761	tip-out tent bow assy. 3950, 51, 91
.10	1A	4756C2071	glide-out tent bow
.05	2	4754D6761	tip-out tent support 3959, 3950
.05		4759A5751	tip-out tent support 3951, 3991
.05		4756C6661	glide-out tent support
.10	3	4734-6708	snap spring
.20	4	8470-1728	black pin m10
.10	5	4757-1351	tent support tip w/screw
		4757-4201	tip support shim
.10	6	4767-1051	tip-out support board 3959
.10		4757-4281	tip-out support board 3950, 51, 91
.40	7	4757A8021	Glide-out curtain track
		1203-8951	rivet m25
	8	4716-4451	glide-out bow mounting pkg.



Flat Rate	Code	Part #	Description
.20	1	4757-4301	tent support clasp m10
.10	2	4734-6708	spring assy.
.10	3	4734A6708	spring assy.
.10	4	4752A0561	tube closure "black" m2

Tent Support Assemblies (Complete)	
Flat Rate .10 per Tent Support	
King Bed	Double Bed
4772A6021	4759A6891



** .50 first extension
** .25 second extension

Flat Rate .50 per cover
Flat Rate .10 Matt assy.

Mattress Assembly & Covers

KING Mattress Assy. - 4757G6421
KING Mattress Cover. - 4714G6421

DOUBLE Mattress Assy. - 4757H5091
DOUBLE Mattress Cover - 4716G5091

Mattress Assembly Dimensions

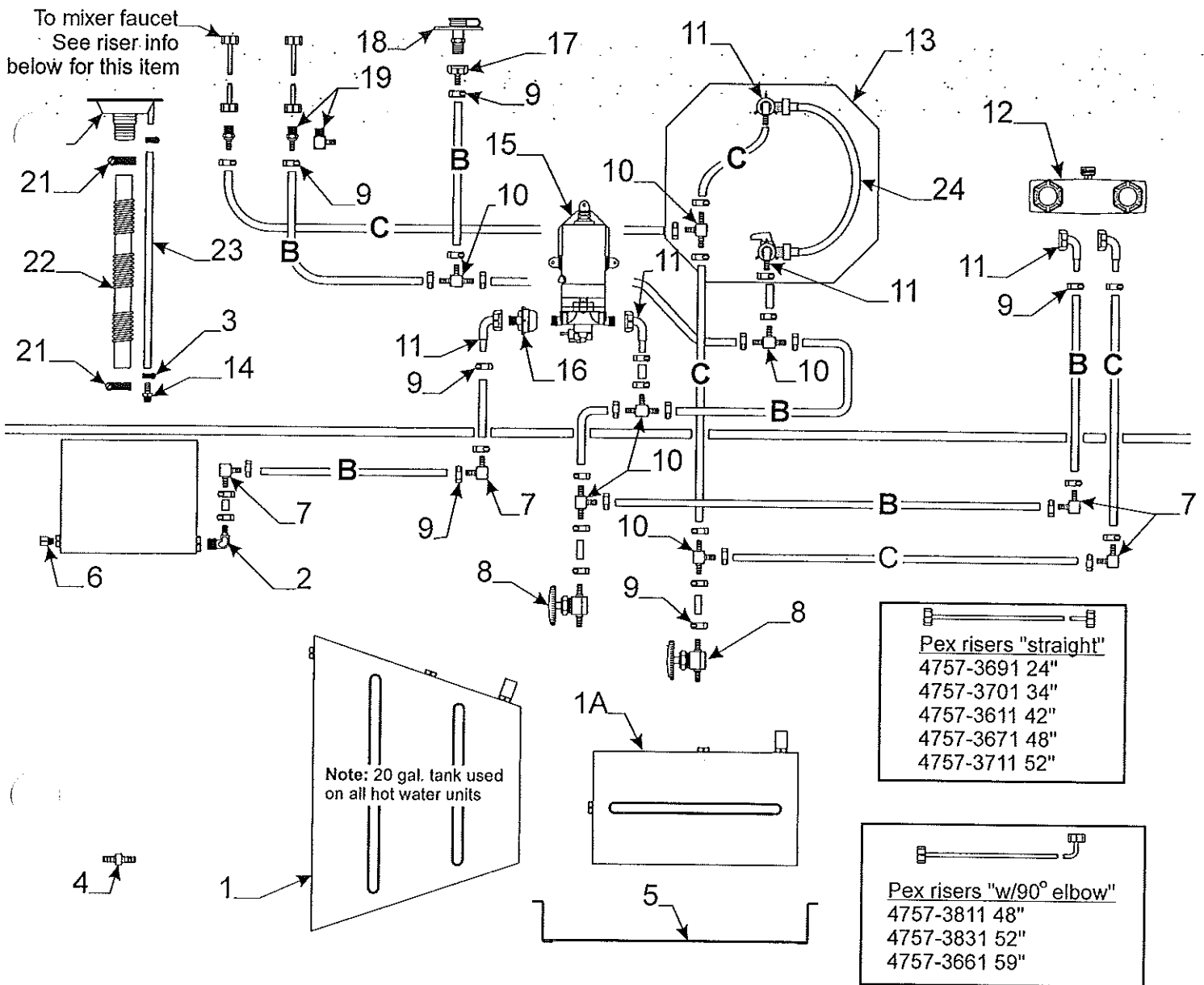
KING Mattress Size - 77" x 70" x 3 1/2"

DOUBLE Mattress Size - 77" x 48" x 3 1/2"

Note: Rear DOUBLE Bed used on 12' Models (3950, 51, 91) Prior to Aug. 10, 2004
Please CHECK The Date Of Manufacturing Before Ordering.

- 3989, 96, 59 4759C5861 Rear Bed Assy. "Complete"(DOUBLE)
- 3950, 51, 91 4759C5821 Rear Bed Assy. "Complete"(KING)
- 3950, 51, 59, 96 4759C5831 Front Bed Assy. "Complete" (KING)
- 3989, 3991 4759C5841 Front Bed Assy. "Complete" (KING)

Flat Rate	Front/Rear Bed Assy. Code	Components Part #	Description
**	1	4716U4031	bed extension (x2 per bed)
		Note: must cut to size if needed for rear bed assy.	
.25	2	4714C1901	tent bow/leg package
.25	3	4060300339P	vinyl bed seal pkg. (8' pc.)
.15	4	4720K5631	bed bow bracket M2
.05		4757-9241	1 1/2" nylon fender washer m4
.30	5	4759A5881	bed leg assy. (x2 rear "reg." beds)
.30		4759A5871	bed leg assy. (x2 rear "king" beds)
.30		4759A5891	bed leg assy. (x2 front 3991,89)
.30		4759A5901	bed leg assy. (x2 front "king" beds)
.15	6	4757-4331	bed leg clip
		1203-8831	rivet m25 (rivet clip to bed)
.15	7	4720D4021	lashing hook m6
		1203-8741	rivet m25 (rivet hook to bed)
.20	8	4714-4521	mounting screws (pkg. x3)
		1203C8721	rivet m25
	10	4739E2908	screw cap m10
		4739-2918	screw cap washer m10
	11	4716-074	screw
		1202B2528	washer
.20	12	4734A5141	bed leg bracket
	13	4720A2361	rod & pal nut
.20	14	1034B16128	flat head screw
		1201B6378	lock nut
.15	15	4754-4821	bed slide wedge
.20	16	4758-9481	pull-out handle strap & rivets
		4758-8001	rivet "black" m25
.20	17	4755A2591	bed brkt. w/mounting hardware x4
	18	4739-2298	lock nut
.50	19	4754-8101	bed roller, nut, bolt, & washer pkg.
	20	1202B2908	washer
.15	21	4754-8631	bed slide end cap
.50	22	4758-8301	bed end retainer track & rivets

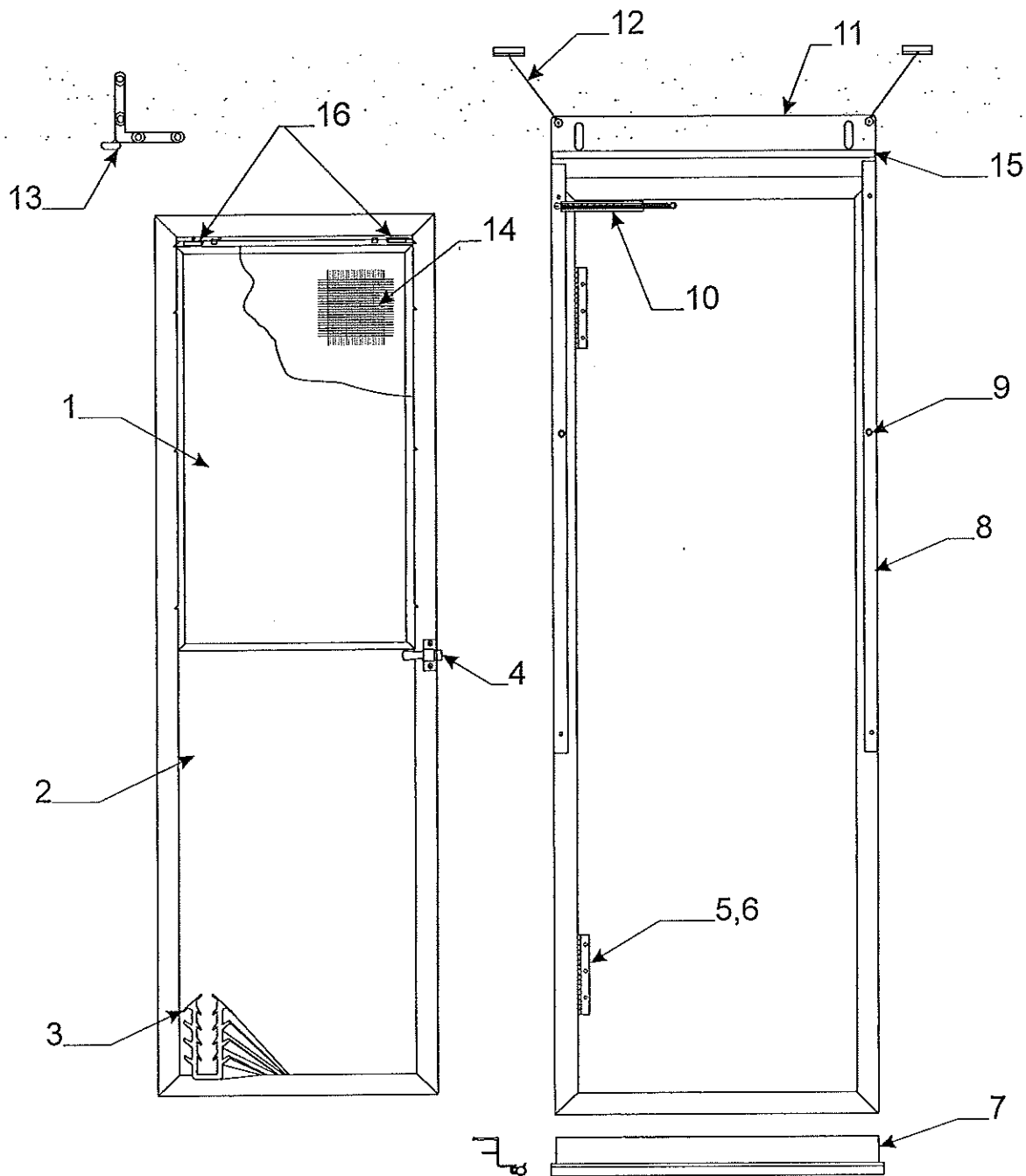


B 4060050006P 3/8" I.D. Pex tubing "cold" (20' pc. pkg.)
 C 4060050007P 3/8" I.D. Pex tubing "hot" (20' pc. pkg.)

4714-038 3/8" I.D. High pressure hose (sold/foot)

Flat Rate	Water System & Related Parts	Flat Rate	Water System & Related Parts
Code	Part #	Code	Part #
	Description		Description
1.50	1 4757A0471 water tank 20 gal.	*	13 4750-3421 water heater (all)
	1A 4757B0521 water tank 10 gal.	.15	14 4732B4561 hose adapter
.25	2 4741C2371 elbow "plastic"	.50	15 4741D5571 electric water pump
	3 4731-3058 adjustable hose clamp 3/8"	.25	16 4747A8311 water filter
	4 4755-4821 brass barbed union m10	.20	17 4741A9561 female adapter "copper"
.20	5 4758-5381 tank hanger x2 (all)	.30	18 4732F1521 city fill
.15	6 1218-7001 plug	.20	19 4757-3631 brass adapter 3/8" barb "Pex"
.25	7 4741C2391 brass elbow "Pex" m2	.20	4758-1341 1/2" mpt x 3/8 elbow "Pex"
.20	8 4741E2361 brass line drain "Pex"	.30	20 4731D1711 fill spout
.25	9 4741A2751 stainless steel clamp m100	21 4715-4501 adjustable hose clamp	
25	10 4741C2381 brass tee "Pex" m10	.35	22 4731H1081 water fill hose (3' pc.)
.20	11 4741B9061 copper swivel elbow	.20	23 4060050003F 1/2" h.p. hose (sold/ft.)
.50	12 4741B2071 shower diverter	24 4765-9971 water heater bypass kit	

* Warranted By Vendor



.30 Flat Rate Screen Door Complete

Note: parts marked w/* asterisk are not included w/screen door

Flat Rate	Code	Part #	Description	Flat Rate	Code	Part #	Description
4701-5401 Screen Door Assy.							
.10	1	4716E3401	top sliding window pane	.05	9	4730A3548	stud w/screw x2
.40	2	4754B1541	stationary window pane	.20	10	4731A8201	spring package
.15	3	406000086F	rubber seal (sold/foot)	.30	11	*4759B0981	top bracket
			Note: around perimeter of window pane	.15	12	4734D5211	cable assy. m6
.15	4	*4772-2901	door latch assembly	.50	13	4710-3791	corner brace hinge m2
.15	5	4720C3601	hinge x2		14	4716-1381	screened stationary pane
	6	1203-8641	rivet m25	.75		4716-1111	screening 36" x 18 1/2"
.25	7	*4747A5621	screen door support	.10	15	4060000023P	d-seal "white" (5' pkg.)
		*4060000399F	rubber seal (sold/foot)	.50	16	4716-3811	window lock pkg. rt./lt.
.20	8	4754-3811	vel-stick (pkg. of 2)				

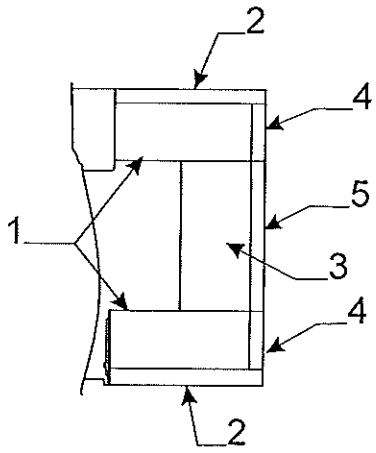
Dinette Area Cushion/Backrest Assemblies & Covers - 2005 Americana Series Flat Rate .10 Assembly - .25 Cover

Model	Cushion Assembly	Cushion Cover	Model	Backrest Assembly	Backrest Cover
3989,96,50	4754K5241	4714K5241	3989, 3996	4754K5231	4714K5231
3959,91,51	4756J5631	4714J5631	3950 Rushmore	4757H5591	4714H5591
			3959, 91, 51	4758G5741	4714G5741

Plastic Cushion Button x2 - 4710-2681 m5

Curbside Couch Cushion & Backrest Assy. & Cover - 3996 Resolute					
Model	Cushion Assy.	Cushion Cover	Model	Backrest Assy.	Backrest Cover
3996	4758E6191	4714E6191	3996	4758E6201	4714E6201

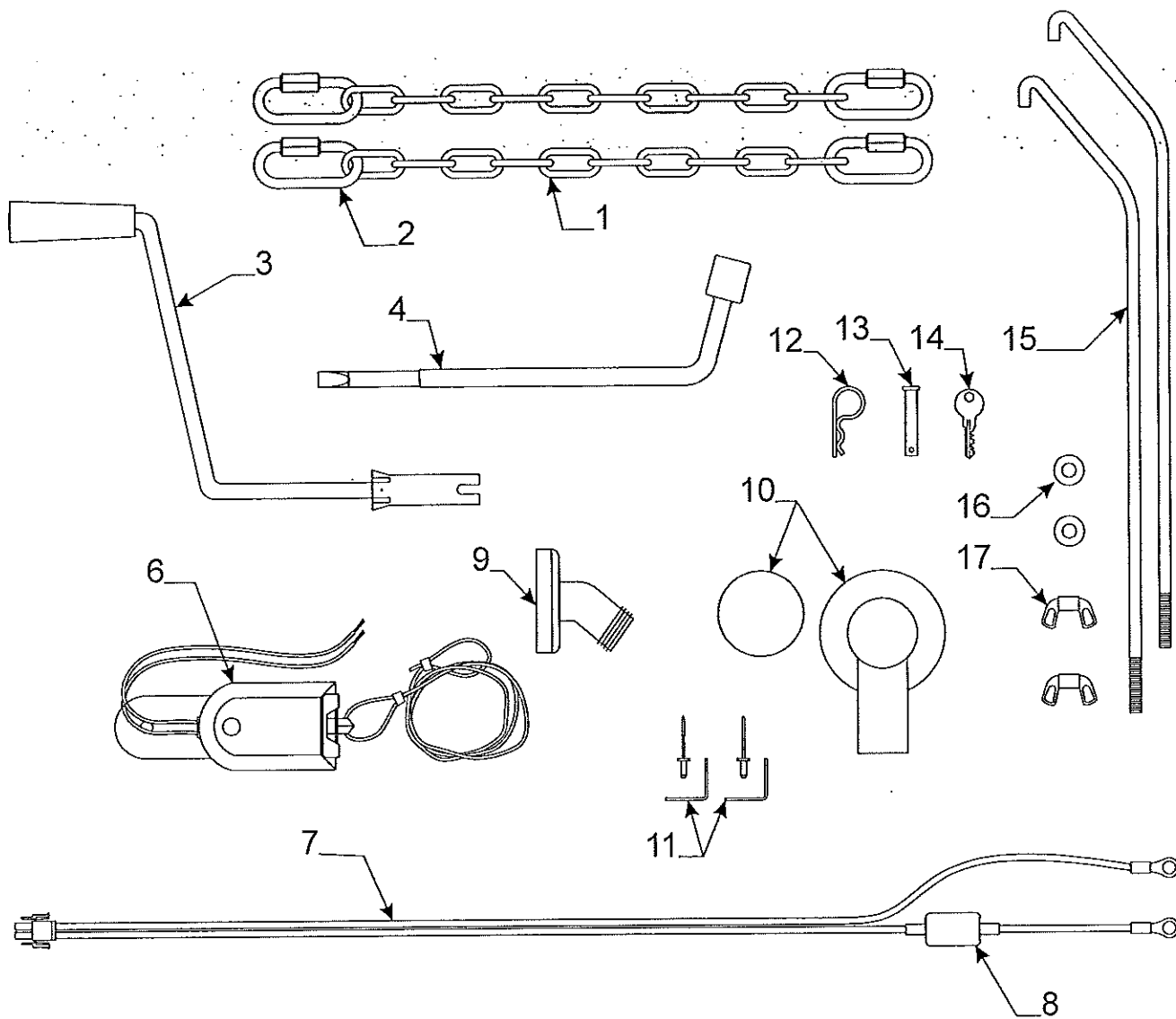
Dinette Cushion/Backrest Dimensions					
Part #	Cushion Assembly	Part #	Backrest Assembly		
4754K5241	43 1/4" x 19 3/8" x 4"	4754K5231	43 1/4" x 16 3/8" x 4"		
4756J5631	39 1/2" x 18" x 4"	4757H5591	42 1/4" x 15 5/8" x 4"		
		4758G5741	38 1/2" x 15 3/4" x 4"		



Refer above for 3951, 3991 for dinette cushion/backrest

Flat Rate	Cushion & Backrest Assy.'s	Part #	Description
.10	1	4754H6371	cushion assy. 3951 31 1/4" x 19 5/8"
.25		4714H6371	cushion cover 3951
.10		4753L6021	cushion assy. 3991 41" x 19 3/8"
.25		4714L6021	cushion cover 3991
.10	2	4754H6341	backrest assy. 3951 31" x 11 3/8"
.25		4714H6341	backrest cover 3951
.10		4753K6071	backrest assy. 3991 41 3/8" x 11 3/8"
.25		4716K6071	backrest cover 3991
.10	3	4759E5771	cushion assy. 3991 41 3/8" x 19"
.25		4755-7831	cushion assy. 3951 41 3/8" x 19"
.10		4714E5771	cushion cover 3991, 3951
.25	4	4756J5401	backrest assy. 3951, 3991 14" x 11 3/8"
.25		4716J5401	backrest cover 3951, 3991
.10	5	4759F5791	backrest assy. 3991 41 3/8" x 15 3/4"
.25		4716F5791	backrest cover 3991
.10		4755-7821	backrest assy. 3951 41 3/8" x 11 3/8"
.25		4714-7821	backrest cover 3951

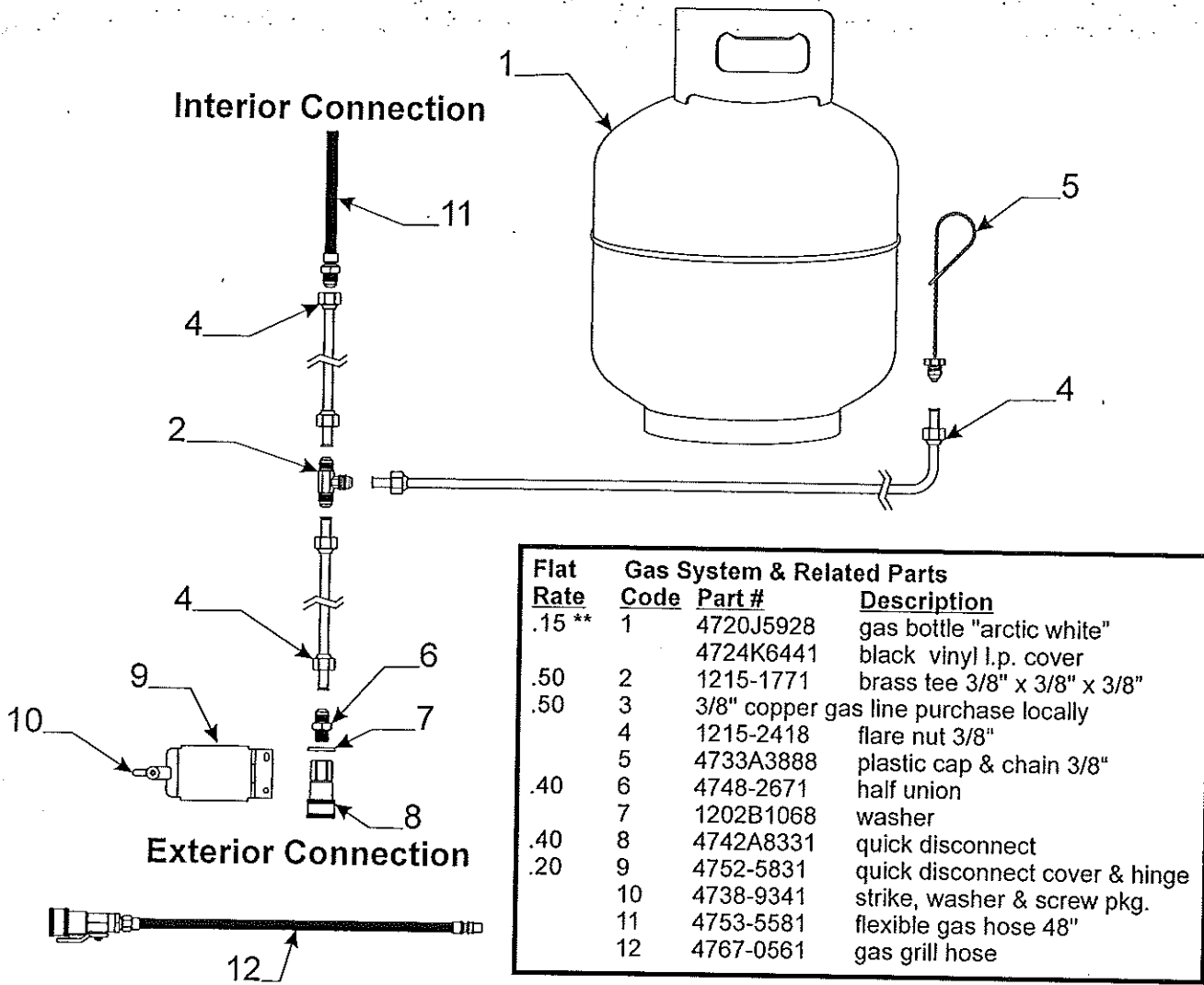
Drape Package (Less Valance Pkg.) Flat Rate .30	Drape Tie Package (Qty. 1) - 4753J9801 (all)
Note: Package includes privacy curtains	Flat Rate - .05
Model	Drape Pkg.
3959 victory	4754A7241
3989 Colonial	4754L5711
3996 Resolute	4754K5501
3951, 3991	4755K6181
3950 Rushmore	4755-7611
# Of Panels	
7	
9	
9	
11	
13	
Drape Tab C-Shape m60 - 4750-2891 Flat Rate - .05	Dressing room curtain - 4754A7451 - 3959 Victory
	Flat rate - .20
Privacy Curtain Pkgs. (Set of 2 Panels)	Shower curtain "white vinyl" - 4769-6991 - 3959 Victory
.15 4723L7901 - (all models)	Flat Rate - .20 4748-8161 shower curtain clip m10
Single Drape Panel w/Safety Straps	Valance Package - Flat Rate - .25
.15 4716F7821 Single Drape Panel 48" x 45"	4768B6181 - 3989 Colonial
.15 4716E8711 Single Drape Panel 43" x 45"	4768B6171 - 3959 Victory, 3996 Resolute
.15 4716E8721 Single Drape Panel 35" x 45"	4755-7481 - 3950 Rushmore, 3951 Valor
.15 4716H9151 Single Drape Panel 22" x 45"	4755-7941 - 3991 Allegiance
Tip-out valance - 4757C4951 - 3959, 51, 91, 50	Glide-out curtain & valance - 4714H5531 3950 Rushmore
Flat Rate - .20	Flat Rate - .20
	Potty Curtain Pkg. 3989 Colonial - 4756H8401
	(Factory Installed Potty Cab.)
	Flat Rate - .20



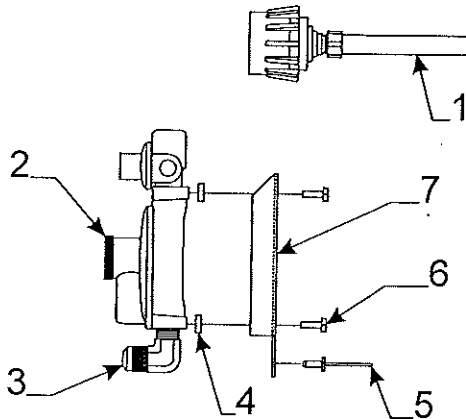
4750J6111 Parts Package (All)

Flat Rate	Parts Code	Package Part #	Component Parts Description
	1	4757-3901	29" tow chain w/quick links m2
	2	4757-3891	quick link (sold/signally)
	3	4747G4141	crank handle
	4	4749A1861	lug nut wrench
	5	4746-5381	winterizing adapter
	6	4746-0401	breakaway switch
	7	4749B5531	battery harness w/15 amp breaker
	8	4751-4811	15 amp circuit breaker
	9	4737-9138	drain adapter
	10	4734C3781	regulator cover (long)
		4751-9571	round regulator cover
	11	4753E6781	battery angle pkg.
	12	4732A4791	safety pin m10
	13	4771-2631	hitch pin m5
	14	4730B3211	key m10 # 8025 (gold plated)
	15	4733G6281	gas bottle mounting brkt. pkg.
			Note: pkg. includes (2) wing nuts, washers
	16	1202B0468	washer x2 m10
	17	1201-6258	wing nut x2

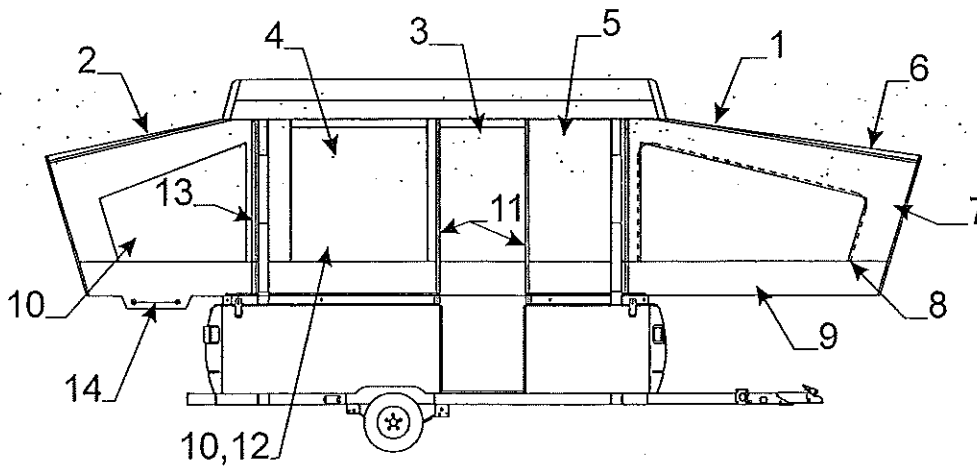
**** Serial Number Of Gas Bottle Must Be Supplied When Submitting Warranty**



Flat Rate	Code	Part #	Description
.15 **	1	4720J5928	gas bottle "arctic white"
		4724K6441	black vinyl l.p. cover
.50	2	1215-1771	brass tee 3/8" x 3/8" x 3/8"
.50	3	3/8" copper gas line	purchase locally
	4	1215-2418	flare nut 3/8"
	5	4733A3888	plastic cap & chain 3/8"
.40	6	4748-2671	half union
	7	1202B1068	washer
.40	8	4742A8331	quick disconnect
.20	9	4752-5831	quick disconnect cover & hinge
	10	4738-9341	strike, washer & screw pkg.
	11	4753-5581	flexible gas hose 48"
	12	4767-0561	gas grill hose

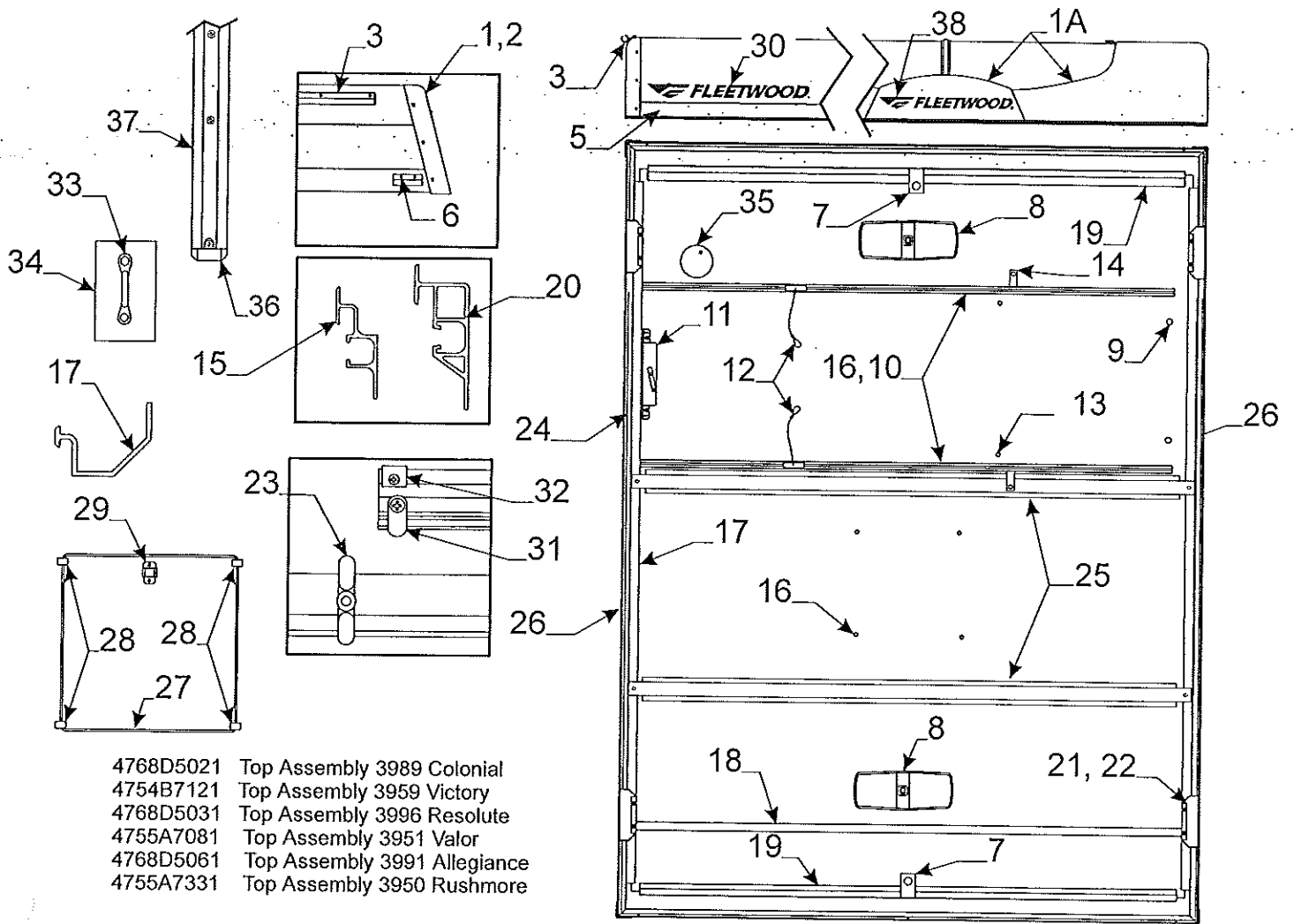


Flat Rate	Code	Part #	Description
.45	1	4733D3991	gas hose w/acme nut 21"
.45	2	4755-0401	regulator "low pressure"
	3	4753-8981	3/8" x 3/8" elbow (non hot water)
		4755-0421	1/2" x 3/8" elbow (hot water)
	4	0322A3301	brass spacer m2
	5	1203E8961	steel rivet m25
	6	4759-0441	mounting screw m2
	7	4741D9431	regulator mounting brkt.



***IMPORTANT:** Double Boot (48" Rear) Used On all 12' models (Valor, Allegiance and Rushmore) prior to Aug. 10, 2004. 12' models produced after Aug. 10, 2004 will use King Boot Please CHECK The Date Of Manufacturing Before Ordering.

Flat Rate	Sunbrella Tenting & Components		
	Code	Part #	Description
.50	1	* 4768A5181	king boot 70"
.50	2	* 4768A5171	double boot 48"
.20	3	4759C5241	large window 3989 Colonial, 3996 Resolute
.20		4754B7311	large window "w/tip-out" 3959 Victory
.20		4759D5721	large window "w/tip-out" 3951 Valor, 3991 Allegiance
.40		4755-7441	large window "w/glide-out" 3950 Rushmore
.20	4	4759D5251	small window 3989 Colonial
.20		4754-7821	small window 3959 Victory, 3996 Resolute
.20		4756F6761	small window 3951 Valor
.20		4758D6771	small window 3991 Allegiance
.20		4755-7431	small window "w/tipout" 3950 Rushmore
.15	5	4759E5261	door seal 3989 Colonial
.15		4754-7811	door seal 3959 Victory, 3996 Resolute
.15		4756G6771	door seal 3951 Valor, 3950 Rushmore
.15		4758D6861	door seal 3991 Allegiance
	6	8118501430P	top vinyl pkg. (85" x 3 yards)
	7	4716C0851	sunbrella patch package (12" x 14")
	8	6650500131F	zipper (sold/yard) used around window
		1225A4461	zipper pull m5
	9	8118001439P	bottom vinyl facing pkg. "blue" (3 yd. x 80")
	10	4714E1611	screen package (84" x 3 yards)
		4714A0361	screen package (84" x 13 yards)
	11	4350000009P	1" velcro hook (10' pc. Pkg.)
	12	4716-2401	clear window vinyl (41" x 2 yards)
	13	1225G3768	45 1/2" side zipper pin half
		1225G3758	45 1/2" side zipper slider half
.50	14	4060000245CP	shock cord (150' package)
.50		4714C6021	shock cord & hooks m2 (two 14' lengths)
.15		4724A2011	shock cord termination (plastic hook) m10
	15	4060000024F	arrowhead seal (sold/foot)
.30	16	4735D6721	extension harness
.50	17	4743-1588	k-kote seam sealer
	18	4728-5641	tent retainer pkg.
.30	19	4710-1001	vinyl daubing "white" m2
.30		4710-1011	vinyl daubing "grey"
.30		4710A1021	vinyl daubing "blue" m2



- 4768D5021 Top Assembly 3989 Colonial
- 4754B7121 Top Assembly 3959 Victory
- 4768D5031 Top Assembly 3996 Resolute
- 4755A7081 Top Assembly 3951 Valor
- 4768D5061 Top Assembly 3991 Allegiance
- 4755A7331 Top Assembly 3950 Rushmore

Flat Rate	Code	Part #	Description	Flat Rate	Code	Part #	Description
.50	1	4716U1981	top corner pkg. (pkg. of 4)		16	1203-9258	plastic accordion rivet m25
		4350000058F	saturated foam tape (sold/foot)		17	4767-3061	side cove x2 (must cut to size)
.50	1A	4716U2001	top end cap pkg. (rt./lt. & center)		18	4747-2558	expansion rivet m25
	2	4745-3968	screw "painted"	.20	19	4350400004F	vinyl tape (sold/foot)
.50	3	4757-3561	canopy track (must cut to size)		19	4756B0671	cove (front/rear)
1.00	4	4752-02791	center seam (must cut to size)		4747-2558	expansion rivet m25	
		4060400096F	vinyl screw cover (sold/foot)	.30	20	4060000092P	tent & val. track
		4741-3508	hex head screw	.20	21	4747D5521	lift pocket cover x4
		4350000058F	saturated foam tape (sold/foot)		4741D3558	hole plug x2	
.50	5	4756A0681	frt./rr. seal extru.		4350000005F	velcro loop (sold/yard)	
.15	6	4750A9581	top strike m2	.25	22	4741B5431	lift pocket x4
		4744C2461	torx head screw "painted" m2	.15	23	1201B6378	lock nut (x2 per pocket)
		1201B6958	nut (x2 per strike)	.15	24	4743-2501	screen dr. latch pkg.
.15	7	4741F11381	tent support brkt.	.50	24	4060100399P	rubber top seal (40' package)
		4741C9368	screw "painted" x2	25	25	4716A8991	roof brace kit
.15	8	4744E4741	double light	.75	26	4757C3171	side seal extrusion 3989, 59, 96
		4758-1361	dome light lens	.75		4754D9801	side seal extrusion 3951, 91, 50
		1103B1028	screw x4	.10	27	4755B5231	shower curtain rod 3959
	9	4737-3211	rubber button m8	.20	28	4755-5211	shower rod strap x4 3959
.30	10	4733H47181	screen door track x2	.15	29	4767-0111	shower head brkt. 3959
		4744B4611	expansion rivet m25	.15	30	4761-1958	fleetwood decal
.20	11	4749C5571	screen door bracket	.20	31	4728A5641	tent retaining pkg.
		4747-2558	expansion rivet m25	.05	32	4750-2891	drape tab c-shape m60
		4749-2138	snap button m2		33	4733B4511	steel loop m2
		1203-8631	rivet m25		34	4350000125P	3" x 4" flextrud white
.15	12	4734D5211	screen door cable m6	.15	35	4767-4641	carbon monoxide detector
	13	4730A3548	stud w/screw x2		36	4758A4461	track end cap "plastic"
	14	4723A5061	strap x2		37	4758C4981	cargo track (must cut to size)
.30	15	4060000093P	tent track (frt./rr.)	.25	38	4761-1958	fleetwood keystone decal

