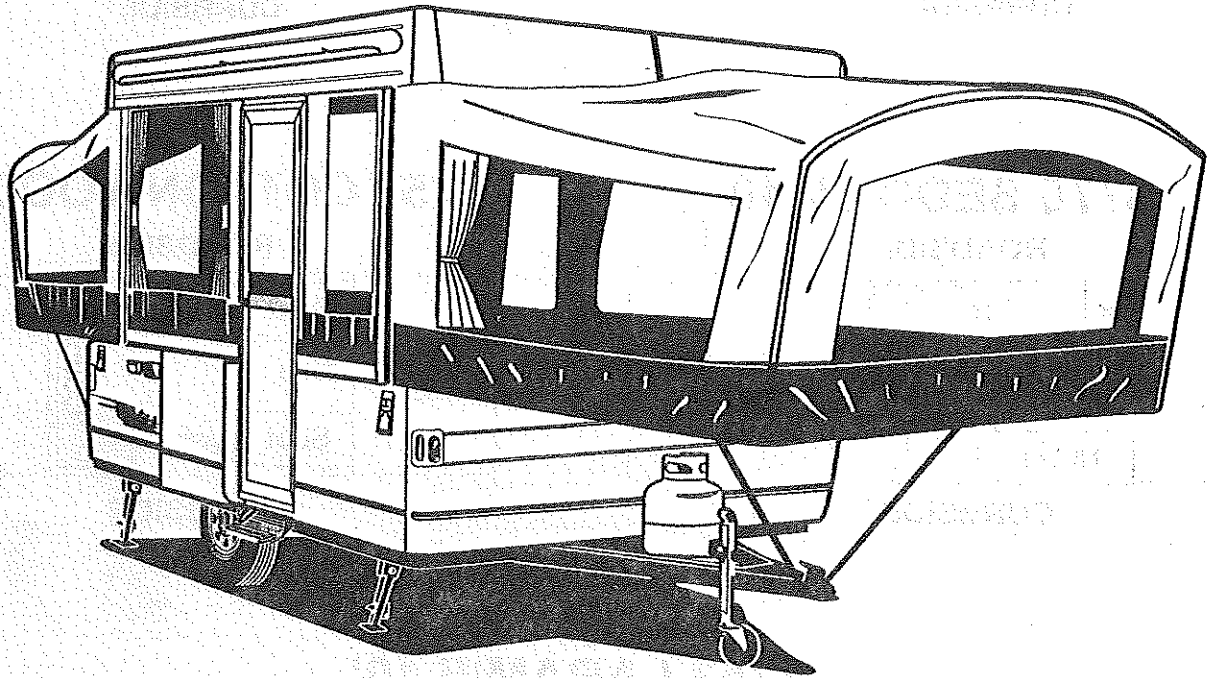


2003 Destiny Series Repair Parts Catalog



3775 Taos 8'

3756 Yuma 8 1/2'

3776 Sedona 10'

3752 Cottonwood 10'

3753 Laramie 10'

3792 Tacoma 12'



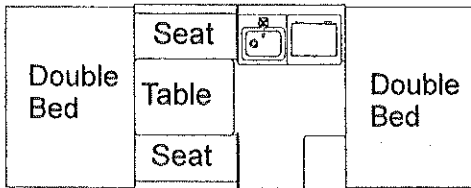
Coleman and the Coleman Parallelogram are registered trademarks of the Coleman Company, Inc., Used under license.

2003 DESTINY series

printed 5/15/02

3775 TAOS 8'

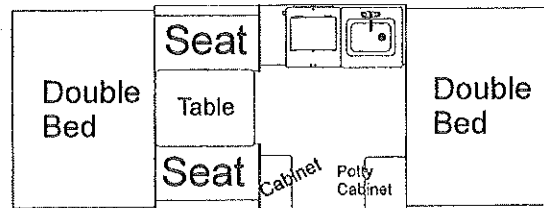
ROADSIDE



CURBSIDE

3756 YUMA 8 1/2'

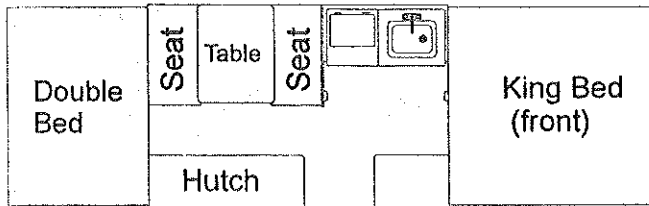
ROADSIDE



CURBSIDE

3776 SEDONA 10'

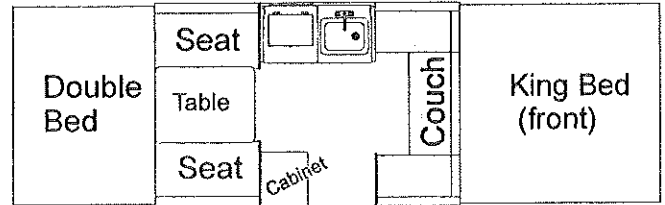
ROADSIDE



CURBSIDE

3752 COTTONWOOD 10'

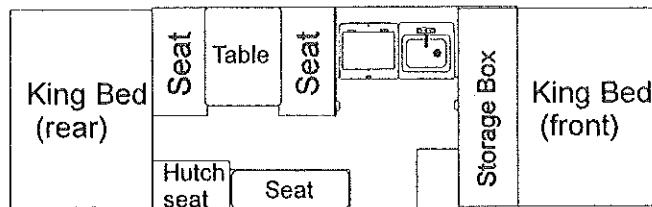
ROADSIDE



CURBSIDE

3753 LARAMIE 10'

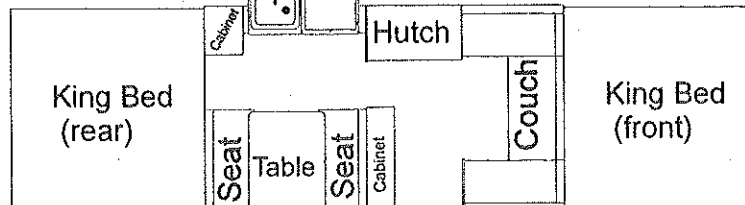
ROADSIDE



CURBSIDE

3792 TACOMA 12'

ROADSIDE



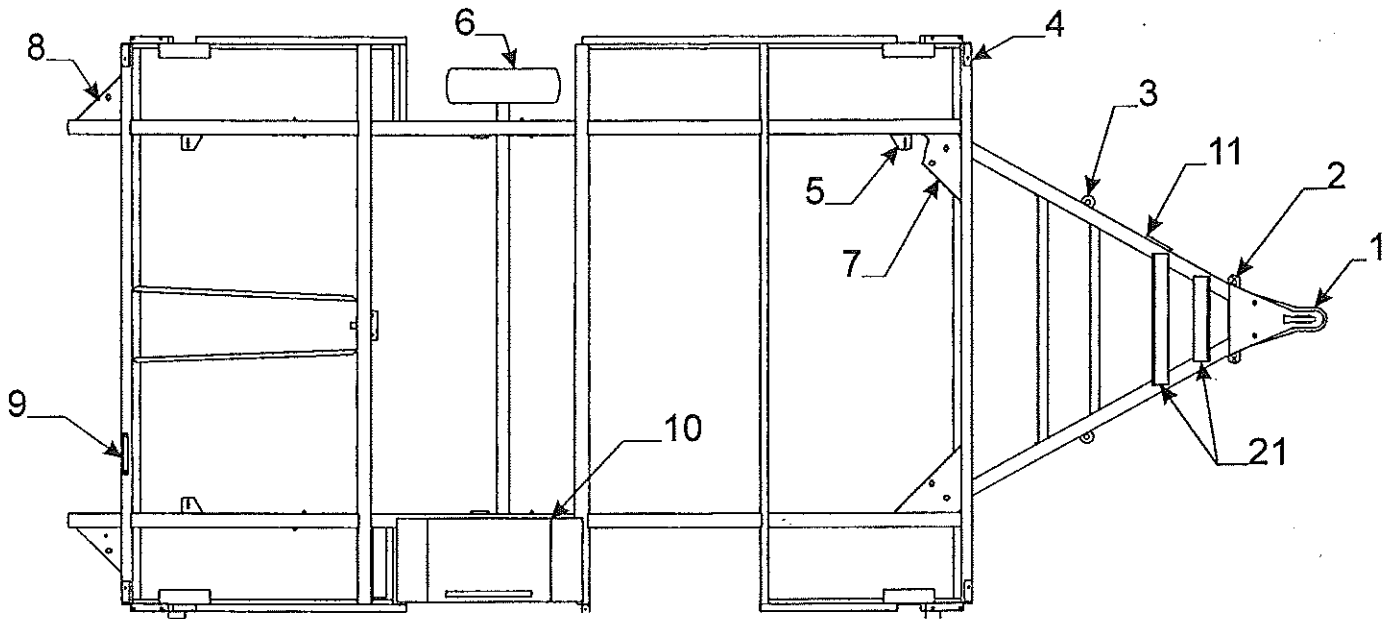
CURBSIDE

TABLE OF CONTENTS

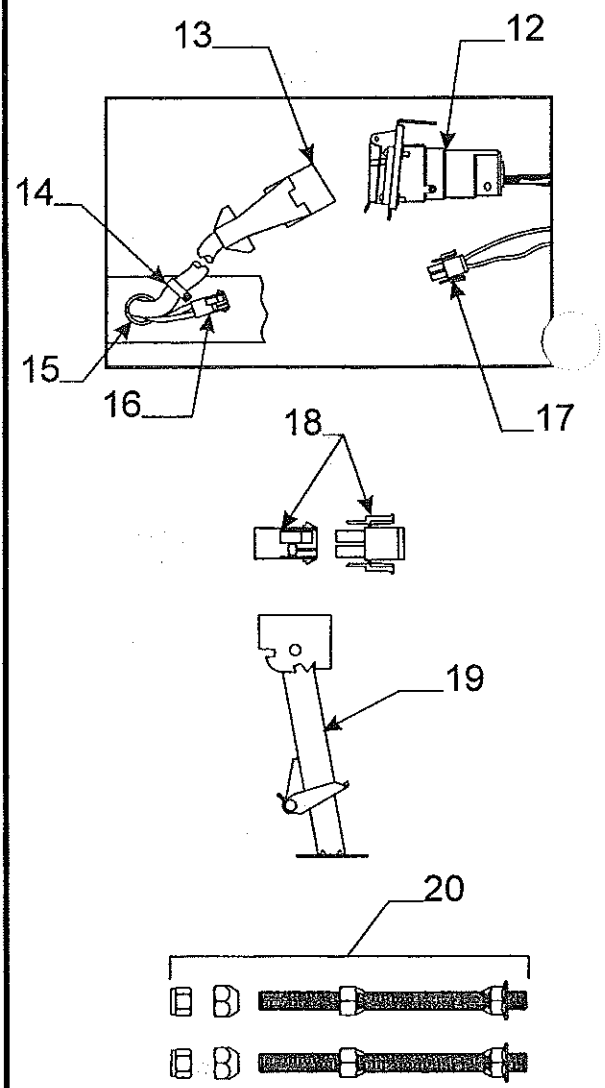
<u>DESCRIPTION</u>	<u>PAGE</u>
Access door key	32
Access door assembly & related parts	10
Auto extension	33
Axle assemblies & related parts	5
Backrest assemblies & covers	31
Bed assemblies.....	26, 27
Bed extensions & related parts	26
Body panel right rear (curbside)	8
Body panel left side (roadside)	11
Body panel front & rear (ABS plastic)	7
Body panel right front (curbside)	9
Body panel frt. ABS (storage box units 3753)	6
Bumper & related parts	7
Cabinet assembly (corner cabinets)	21
Cabinet assembly curbside rear 3752, 3756.....	22
Caulking	33
Converter & related parts	20
Cooler (built-in)	15,16,17,18
Cooler "32 QT. Coleman Extreme" 4757-1251	
Corner bulkhead assembly	2
Coupler assembly	2
Crank-up/crank-down components	4
Crank handle	32
Cushion assemblies & covers	31
Door bulkheads	8,9
Drain hose (used on sinks)	12
Drape packages & related parts	31
Drawer assembly components	20
Electric brakes & related parts	5
Fire extinguisher & components	22
Floor covering	2
Frame assembly & related parts	2
Gas detector	24
Gas hose (gas bottle hook-up)	32
Gas bottle mounting brackets	32
Gas quick disconnect (outside stove)	33
Gas bottle cover (black vinyl)	33
Gas bottle & related parts	33
Grease cap (dust cap)	5
Hub assembly & related parts	5
Hutch assembly (roadside 3792)	23
Hutch assembly (curbside Laramie)	22
Hutch assembly (curbside 3776 Sedona)	23
Hutch assembly (doorway 3792)	21
Lift assemblies & related parts	3
Lift trim & miter covers	8,9
Lower galley components (3775 Taos)	14
Lower galley components (3756 Yuma)	15
Lower galley components (3776 Sedona)	16
Lower galley components (3752 Cottonwood).....	17
Lower galley components (3753 Laramie)	18
Lower galley components (3792 Tacoma)	19
Lug wrench	32
Mattress assemblies & covers	27
Paint (spray & quart can)	33
Paneling & trim	23
Parts package & components	32
Pigtail (car end)	2

<u>DESCRIPTION</u>	<u>PAGE</u>
Power cord (converter)	20
Receptacle (exterior)	8
Receptacle (interior)	20
Refrigerator vents	11
Regulator & fittings	32
Safety chains	32
Screen door & related parts	30
Seat bench component parts	24
Sink & related parts	12
Spare tire cover (black vinyl)	2
Spare tire mount package	2
Stabilizer assembly	2
Stabilizer handle/lug wrench combo	32
Step components (outside step)	24
Storage box components 3753.....	6
Stove components (upper galleys/lift-out stove)...	13
Table assemblies & related parts	12
Taillights (rear body panel)	7
Tent support assemblies & related parts	25
Tenting & related parts (sunbrella)	34
Thermostat (Hydro Flame)	24
Thrust bearing	4
Tie backs (curtains)	31
Tip-out tent bow and related parts (3792)	25
Tire & rim	2
Tire cover "black vinyl"	2
Tongue jack & related parts	4
Top assemblies & related parts	35
Trim tape kits	8,9,10,11
Upper galley assembly (3775 Taos)	14
Upper galley assembly (3756 Yuma)	15
Upper galley assembly (3776 Sedona)	16
Upper galley assembly (3752 Cottonwood)	17
Upper galley assembly (3753 Laramie)	18
Upper galley assembly (3792 Tacoma)	19
Valance package	31
Water heater	29
Water pump & related parts	12
Water system & related parts	28, 29
Wheel well	2
Whiffletree & related parts	3
Zippers (tenting assemblies)	34

Axle/Brakes - Dexter	219/295-1900
Cassette Potty - Thetford	800/444-7210
Converter - World Friendship Co.	800/900-2468
Furnace - Hydro Flame #7916-11	800/546-8759
Hand pump - Shurflo	800/762-8094
Mixer Faucet - Empire Brass	800/431-6440
Refrigerator - Dometic	800/216-5115
Stove - Atwood Greenbrier	800/646-8557
Stove - Vitco	877/825-8528
Tires - Duro	800/966-8473
Water heater - #5031E	423/775-2131
Yakima bike rack - to obtain repair parts .	800/925-4621

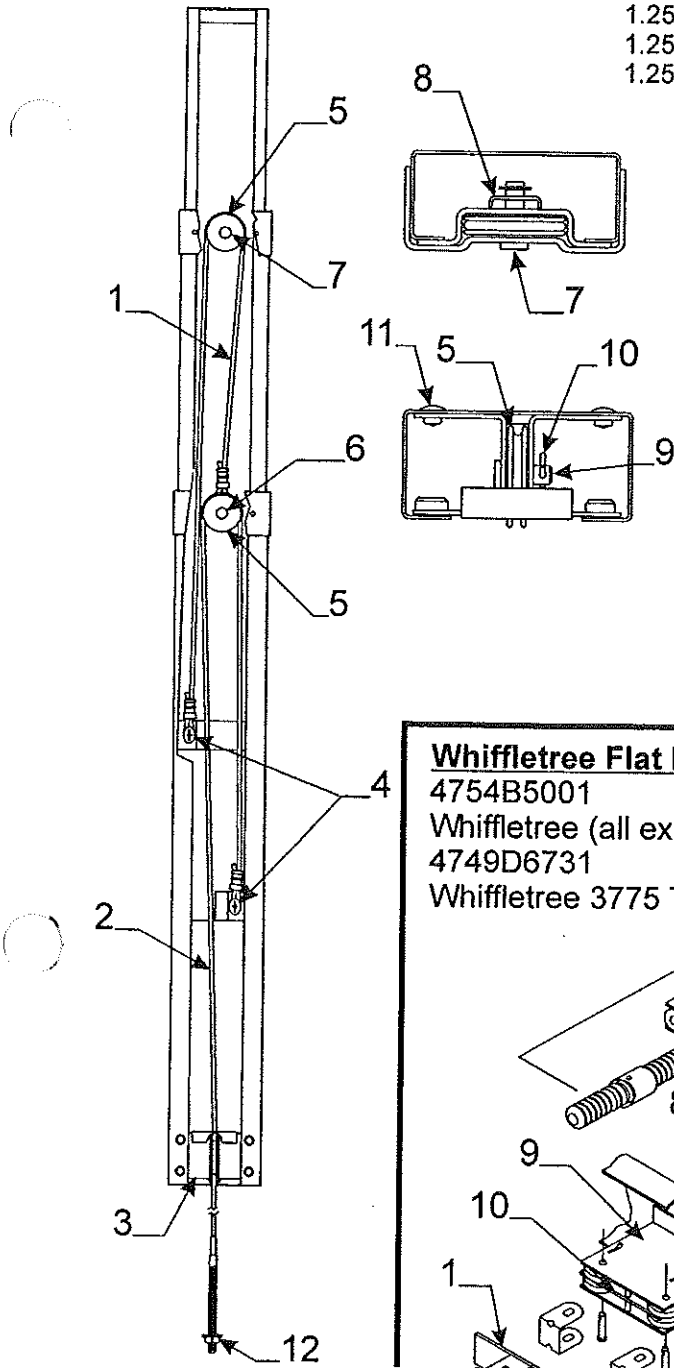


Flat Rate	Code	Part #	Description
1.50	1	4742-2001	coupler assembly
.25		4714A2211	coupler repair kit
.75	2	4748-6611	chain bar w/pins
.75		4720A3561	chain bar w/o pins
.50	3	4758-0381	bed leg pin & washer
.10		4747-8941	pin cover m2 (plastic)
2.00	4	4758A6681	corner bulkhead csf/rsr (all except Taos)
2.00		4758A6691	corner bulkhead rsf/csr (all except Taos)
2.00		4747A5511	corner bulkhead csr/rsf 3775
2.00		4747A5501	corner bulkhead rsr/csf 3775
		1203C8751	rivet m25 (rivet bulkhead to frame)
.75	5	4732E3671	adjustable pulley brkt. x4
.25		4715A5371	pulley & bearing m10
		4720C1578	short pin m4
		1204B1081	cotter pin m10
.25	6	4757-2468	tire & rim 13" lr "C" 3776, 52, 53, 92
.25		4754B1558	tire & rim 12" lr "C" 3775, 56
		4747C4841	black vinyl tire cover 3775, 56
		4723D3161	black vinyl tire cover (all except 3775,56)
	7	4749A5861	stabilizer gusset (front) all
	8	4752-6001	stabilizer gusset (rear) all
1.00	9	4754D5101	spare tire support "rear" (all except Taos)
		4747-5101	spare tire mount "front" 3775
2.00	10	4754D0531	wheel well assy. x2 (all except Taos)
2.00		4747A4161	wheel well assembly x2 3775
.75	11	4720B3331	jack bracket (welded to tongue)
	12	4746A5591	pigtail - "car end" (all)
	13	4753B3751	trailer harness (all)
	14	1201-8738	3/8" clamp
		1203C8721	steel rivet m25
	15	4742-8108	1 1/4" snap bushing
	16	4716A5001	12 volt power harness
.15	17	4749B5531	12v wire harness m2 (battery connection)
	18	4716A4701	12 volt cap & plug m2
.25	19	4720D0731	stabilizer assembly
		Note: stabilizer used x3 on 3775 Only	
		4739-2298	nut (x2 per stabilizer)
.25	20	4747B5891	spare tire mount kit (all)
*	21	4716A7151	frt./rear battery angle pkg.



* 6610007204P floor covering pkg. (7 1/2' x 14')
 * Prior Authorization Needed From Factory

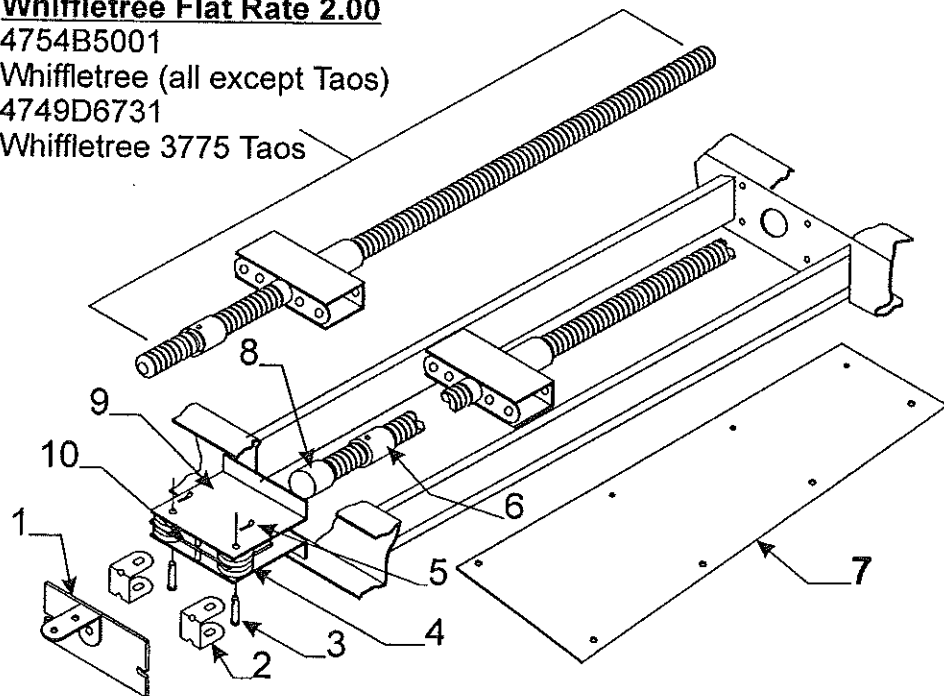
- 1.25 4716-0031 lift assembly roadside rear/curbside front (all except Taos)
- 1.25 4716-0041 lift assembly roadside front/curbside rear (all except Taos)
- 1.25 4716-0051 lift assembly roadside rear/curbside front (3775 Taos only)
- 1.25 4716-0061 lift assembly roadside front/curbside rear (3775 Taos only)



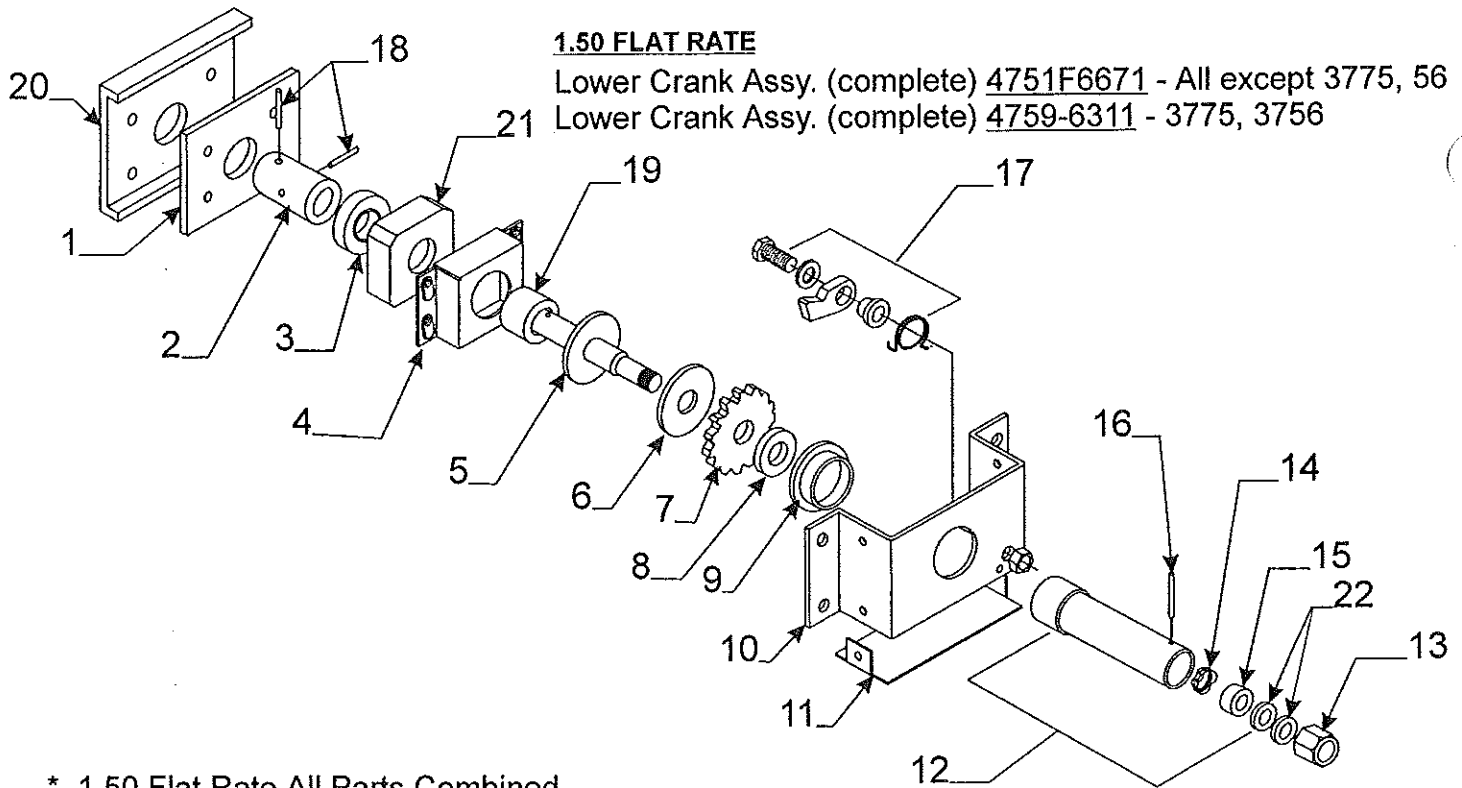
Flat Rate	Lift Assembly Code	Component Part #	Description
.75	1	4720D5271	cable assy. x1 m2 (all except Taos)
.75		4720C5271	cable assembly x2 m2 3775 Taos
		4720C1691	cable crimp m20
1.25	2	4754A6121	184" long cable & crimp
		4744-1318	copper cable crimp m10
1.25	3	4731C5801	butterfly bracket assy.
.05	4	4749-2081	screw m6
.50	5	4715A5371	steel pulley & bearing m10
.25	6	4747-8931	long pin x2
		4730B0981	retaining ring m12
.25	7	4749-4061	short pin m4
		4730B0981	retaining ring m12
.25	8	4749A2028	retaining clip
.45	9	4720C1578	lift pin m4
	10	1204B1081	cotter pin m10
	11	1203-8641	rivet m25
	12	1201B6378	1/4" lock nut
		1202E0408	washer

Whiffletree Flat Rate 2.00

- 4754B5001 Whiffletree (all except Taos)
- 4749D6731 Whiffletree 3775 Taos

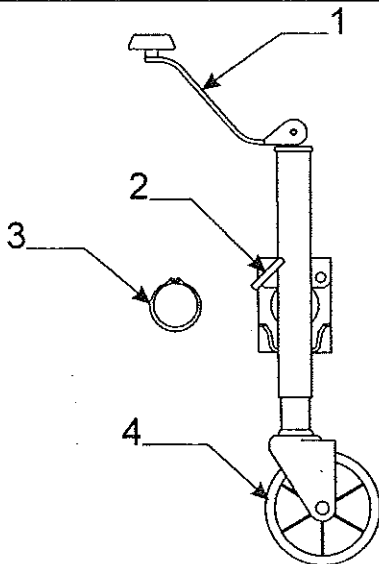


Flat Rate	Whiffletree Code	Related Part #	Description	Flat Rate	Code	Part #	Description
.15	1	4749A821	mud flap & brkt.	.25	7	4752B4921	whiffletree pan cover (all except Taos)
.50	2	4744B1741	cable retainer x2	.15		4757-1121	whiffletree pan cover 3775
.20	3	4720J1561	long pin m4			4755-4611	tek screw m25 (fasten pan in place)
.50	4	4715A5371	pulley & bearing m10	2.00	8	4730D1291	screw socket (welded)
.10	5	1204B1081	cotter pin m10	2.00	9	4720-1551	pulley plate
1.60	6	4710B4248	bushing	.50	10	4715D5661	pulley spacer
		4744A1301	solid shear pin m10				



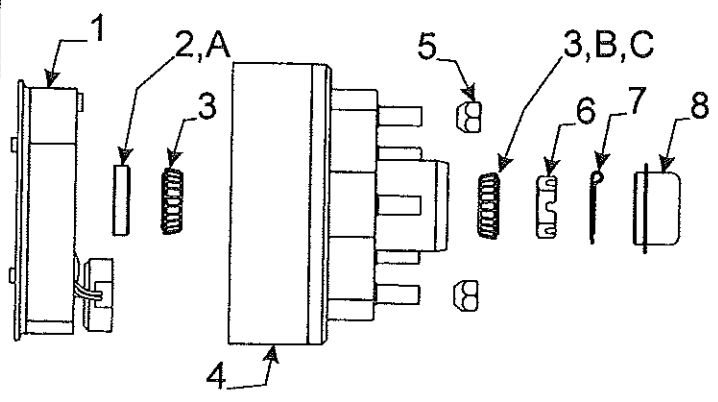
* 1.50 Flat Rate All Parts Combined

Flat Rate	Crank Up/Crank Down	Component Parts	Flat Rate	Code	Part #	Description
	1	4756-8321 bearing housing plate	*	11	4751-3721 housing cover plate	
1.50	2	4756-8301 coupler bushing			1203-8641 rivet m25	
1.50	3	4720C2421 thrust bearing	.75	12	4751C5681 drive hub ext. pkg. (all except 3775,56)	
*	4	4750A9251 bearing housing	.75		4716A1741 drive hub ext. pkg. 3775, 56	
		4738A0898 hex bolt x4			Note: pkg. Includes parts marked w/* asterisk	
*	5	4751-3701 drive shaft		13	*4751-3551 5/8" nut	
*	6	4751-3561 pressure plate	.50	14	*4752-3921 handle spring x1 m2	
*	7	4751-4831 ratchet wheel	.50	15	*4751-4671 nylon washer x1	
*	8	4751-3581 pressure washer	.10	16	*4747A9451 spiral roll pin x1 m6	
*	9	4751A3591 shaft bushing	.60	17	4716-1221 ratchet pawl pkg.	
*	10	4751B3691 crank housing	1.00	18	4744A1301 shear pin x1 m10	
		4731-3878 hex head bolt x4	1.50	19	4756A8311 spacer bushing	
		1201B6038 lock nut x4		20	4750A9261 plate "painted"	
			1.50	21	4756-8441 bearing house square spacer	
				22	4757-3938 washer x2	



Flat Rate .10 Jack Removal						
Flat Rate	Tongue Jack Assembly (4720C6661) "Norco"	Code	Part #	Description		
.15	1	4716-1951	jack handle kit			
.15	2	4716-1981	locking plunger kit			
.10	3	4720A3341	snap ring			
.25	4	4716-1971	jack wheel nut & bolt			

Flat Rate .50 Per Side			
Electric Brake Pkg. 7" x 1 1/4" (4714H2011)			
Electric Brake Pkg. 10" x 2 1/4" (4714J2011)			
Flat Rate	Code	Part #	Description
.50	1	4733A3521	7" brake assembly (right hand)
.50		4733A3531	7" brake assembly (left hand)
.50		4716-6251	10" brake assembly (right hand)
.50		4716-6261	10" brake assembly (left hand)
.50	2	4714A2201	7" grease seal x1 m4
.50		4716-1441	10" grease seal x1 m4
.50	3	4716-1101	7" bearing, race & seal pkg.
.50		4716-1451	10" bearing, race & seal pkg.
.30	4	4716A1071	7" hub & drum x2
.30		4716-1431	10" hub & drum x2
.05	5	4747A9528	lug nuts x5
.10	6	4714-3068	slotted spindle nut x1
.10	7	1204-1268	cotter pin x1
.05	8	4714B0621	dust cap m4

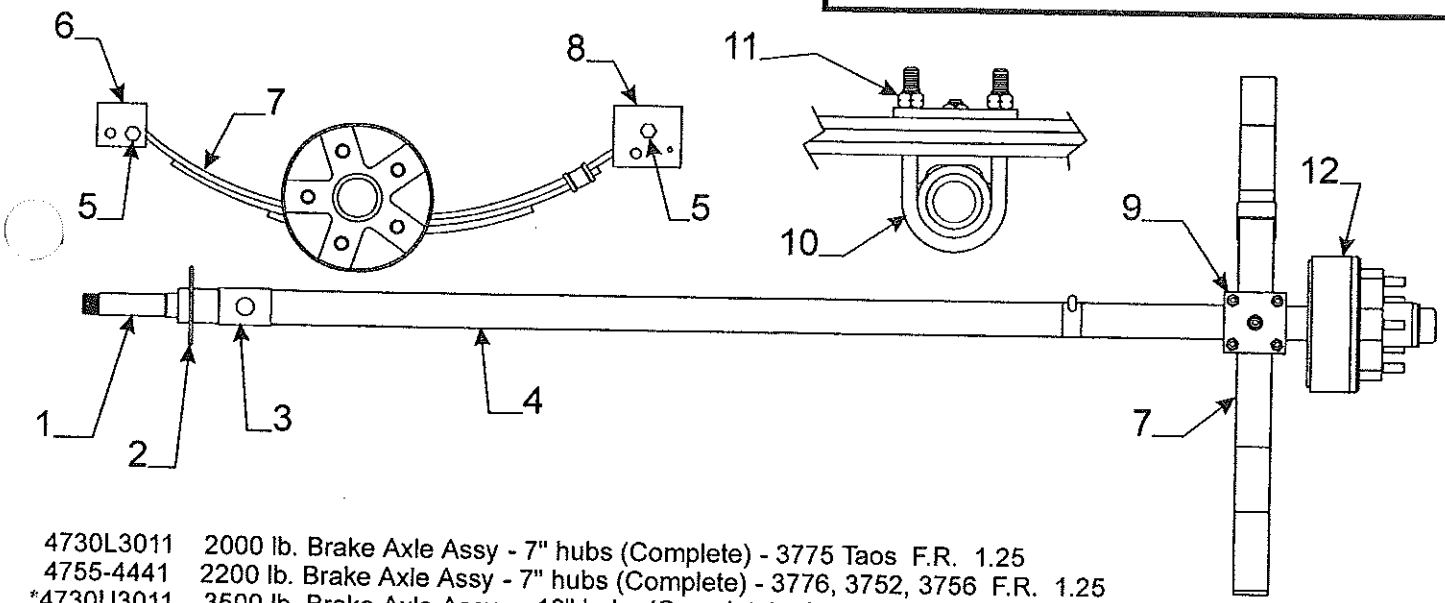


Crossover Numbers To Purchase Locally

A 13194TM or 198138SP21 Grease Seal (7" hub)
 171255VB Grease Seal (10" hub)

B L44649 Bearing (7" hub x2/ 10" hub x1 "outer")
 L68149 Bearing (large inner x1 10" hub only)

C L44610 Race (7" hub x2/10" hub x1 "outer")
 L68111 Race (large inner x1 10" hub)



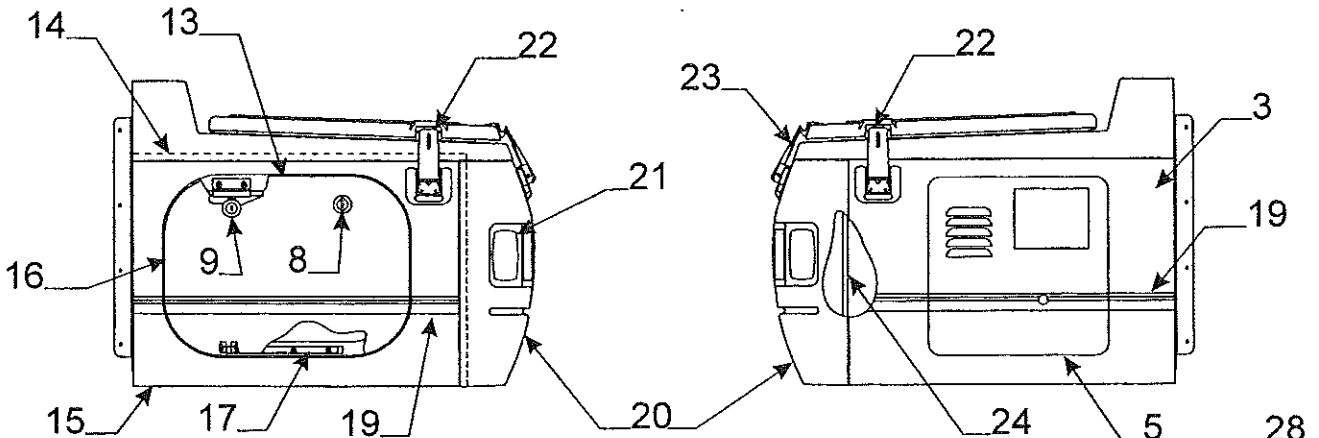
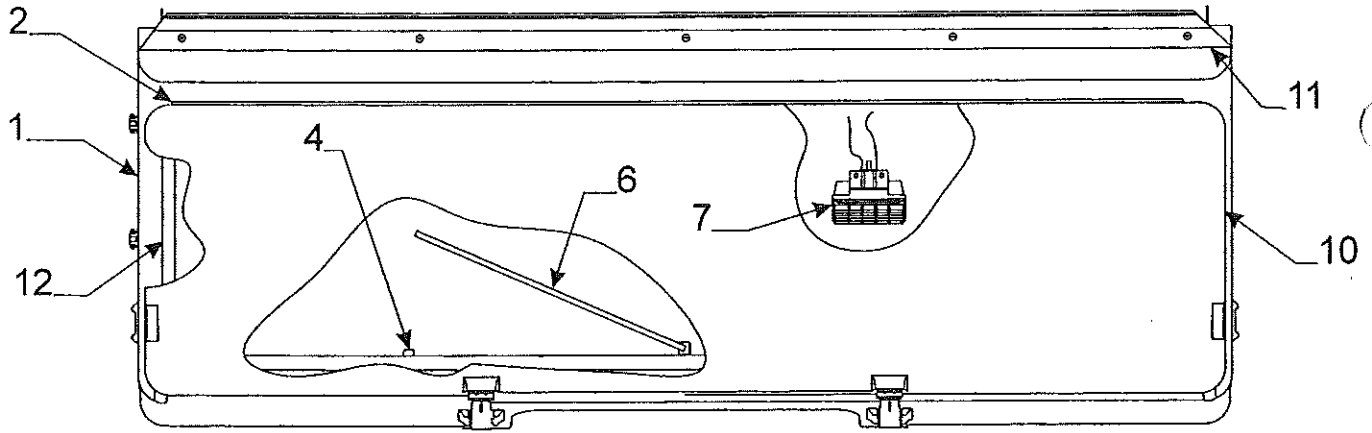
4730L3011	2000 lb. Brake Axle Assy - 7" hubs (Complete) - 3775 Taos F.R.	1.25
4755-4441	2200 lb. Brake Axle Assy - 7" hubs (Complete) - 3776, 3752, 3756 F.R.	1.25
*4730U3011	3500 lb. Brake Axle Assy. - 10" hubs (Complete) - 3753 F.R.	1.25
*4730V3011	3500 lb. Brake Axle Assy. - 10" hubs (Complete) - 3792 F.R.	1.25

*NOTE: 3500 lb. Axle Assy. limited parts stocked, refer to Dexter Axle for required part (s) phone - 219/295-1900

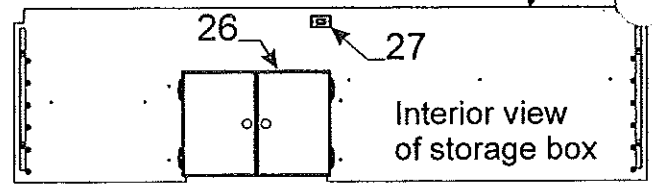
Flat Rate	Axle & Spring Components		Flat Rate	Axle & Spring Components		Flat Rate	Axle & Spring Components	
	Code	Part #		Code	Part #		Code	Part #
*	1	4741B8491	.75	7	4741B3381	.75	8	4741C3398
	2	4741A8471	.75		4735G2201	.50	9	4741-8458
*	3	4741-8461	.75		4735G22081	.25	10	4741A8438
1.00	4	4716A1571	.75		4735H22081	.25	11	4741-9358
1.00		4716F6251	2.00				12	
.25	5	4737A1318						
		4741-9498						
.00	6	4741A3398						

Note: refer above for hub & components

*PRIOR AUTHORIZATION NEEDED FROM FACTORY



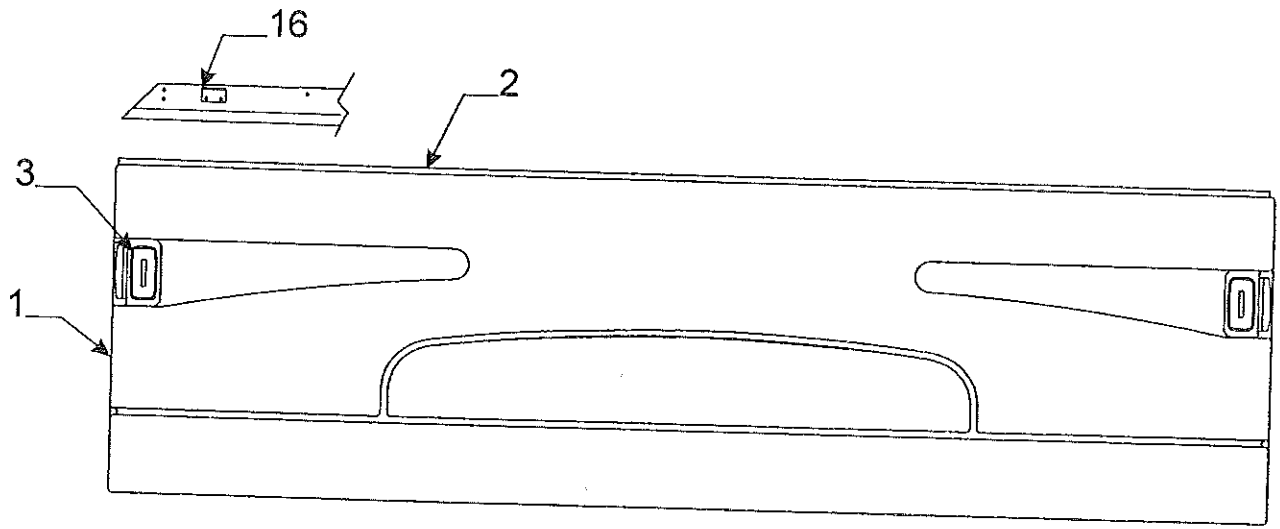
Storage box components - 3753 Laramie



Flat Rate	Code	Part #	Description
1.50	1	4767-5151	lid/deck assy. (Complete)
.65	2	4758-0191	lid hinge
		1014T10068	machine screw x13
		1201B6958	keps nut x13
1.80	3	4754F1981	rs ABS side pnl.
.10	4	4720A0721	cooler clip m2
.25	5	4716-1331	water heater door
	6	4751B1181	prop rod
		4751-1208	push nut
		4751B1191	prop rod bracket
.25	7	4751-0921	cargo light
		4741D96568	expansion rivet m25
	8	4758-0181	chrome thumb turn assy.
	9	4751D8301	cam lock w/o-ring
.40	10	4060000588P	lid seal package (12' pc.)
.75	11	4758-0091	end rail
.40	12	4060000404P	deck seal pkg. (20' pc.)
.25	13	4757A2021	storage door strike x2
	14	4358800015P	vhb joint tape (16' pc. Pkg.)
1.80	15	4754F1971	cs ABS box side panel
.45	16	4757B1771	compartment door
		4060000615P	door seal (6' pc. pkg.)

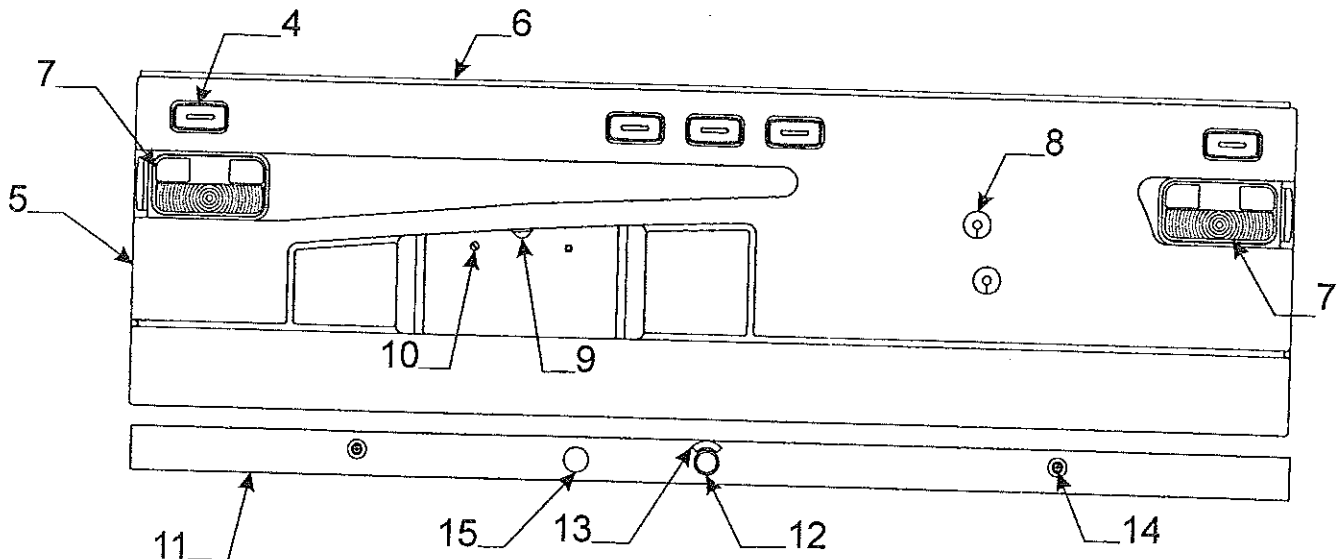
Flat Rate	Code	Part #	Description
.50	17	4757-1781	plastic door hinge
		4720D2361	hinge pin w/push nuts m2
	18	* 4716B1761	floor covering 4' x 7 1/2' pc.
	19	4716C4961	trim tape (5' pc.)
2.00	20	4757-9001	front ABS body panel
.15	21	4714J08481	amber lens & base
.10		4716A4571	amber lens (lens only)
.15	22	4741C6041	latch w/out lock tab x2
		4741A9101	hex head tek screw m10
.15		4749B1441	strike m2 (used x4)
		4741D96568	expansion rivet m25
.15	23	4715F5051	latch w/lock tab
		4744B2468	screw x4
		1201B6958	keps nut x4
*	24	4767-5121	front wood wall panel
1.50	25	4754-2001	floor seam divider 86" pc.
.15	26	4758-3131	door pnl. 14 1/4" x 10"
.15	27	4751-1161	rocker switch "lighted"
4.00	28	4758-0281	3/8" bulkhead

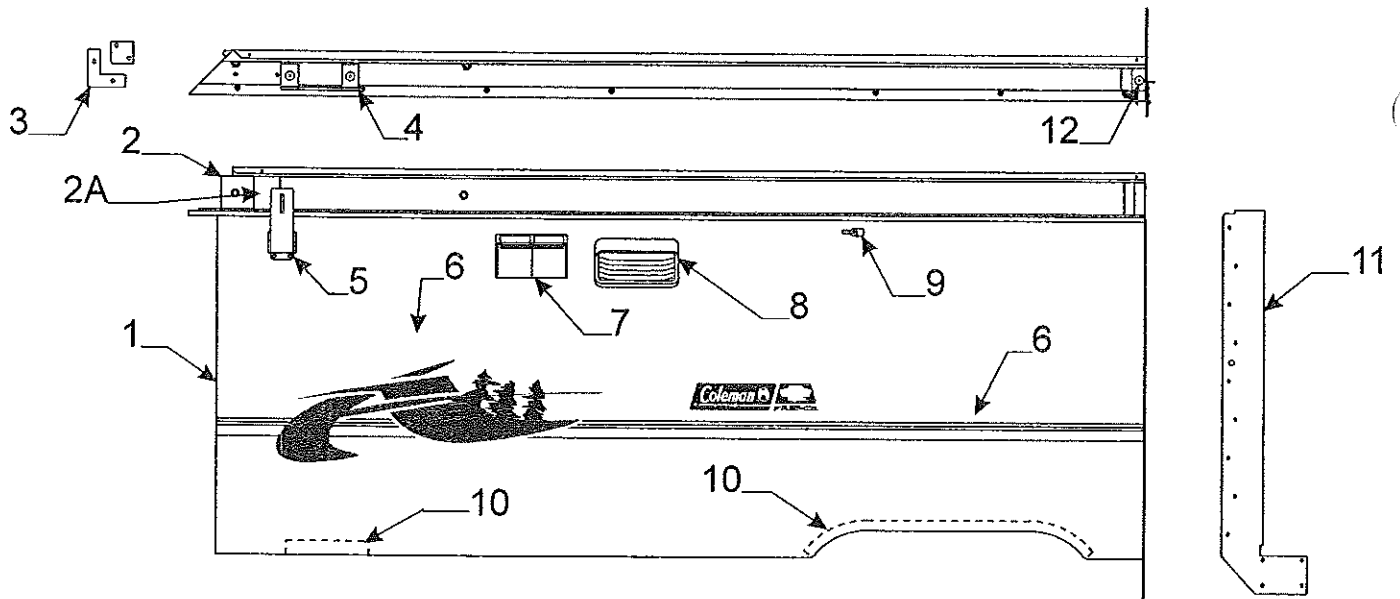
* Prior authorization from factory needed



* 1.50 Flat Rate Front Panel/2.50 Rear Panel

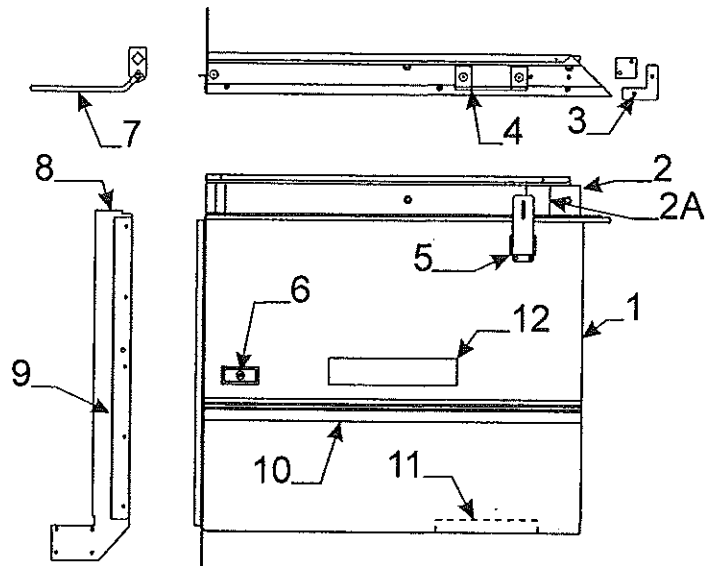
Front & Rear ABS Body Panel Components							
Flat Rate	Code	Part #	Description	Flat Rate	Code	Part #	Description
*	1	4754A8711	front body pnl. (all except Taos)	.20	7	4749B4321	taillight x2
Note: refer to opposite page for storage box body panel				.10		4716A1061	taillight lens
.65		4747F4531	front body pnl. 3775			4747-2558	expansion rivet m25
.75	2	4754-8681	front end rail (all except Taos)	.10	8	4754-3871	foam gasket m2
		1203-8651	rivet x5 m25	.15	9	4739B4311	tag light
Note: refer to opposite page for storage box body rail				.05	10	4732-1181	plastic grommet m4
.75		4747B0801	front end rail 3775	.05		1121C1618	license plate screw x2
.15	3	4714J08481	amber marker light x4	.30	11	4751C0181	bumper 3775
.10		4716A4571	amber lens (lens only)	.30		4756D2371	bumper 3753, 92
.25		4733H1311	socket & harness	.30		4754D0211	bumper 3776, 52, 56
		4747-2558	expansion rivet m25	.10	12	4733-2741	2" snap bushing
.15	4	4714J08581	red marker light x7	.10	13	4730H3188	"open" decal
.10		4716A4561	red lens (lens only)	.25	14	1032B24248	bolt x2
Note: refer to code # 3 for hardware						1202B0468	washer x6 m10
*	5	4757-1961	rear body pnl. (all except Taos)			1202B1068	washer x2
.85		4747H4641	rear body pnl. 3775			1201B6068	nut x2
		4741D96568	expansion rivet m25 "white"		15	4756-9761	2" hole plug
.75	6	4754A8691	rear end rail (all except Taos)	.25	16	4749A4731	bed stop angle 3775
.75		4747C0791	rear end rail 3775				
		4758-1141	expansion rivet w/rubber washer m25				



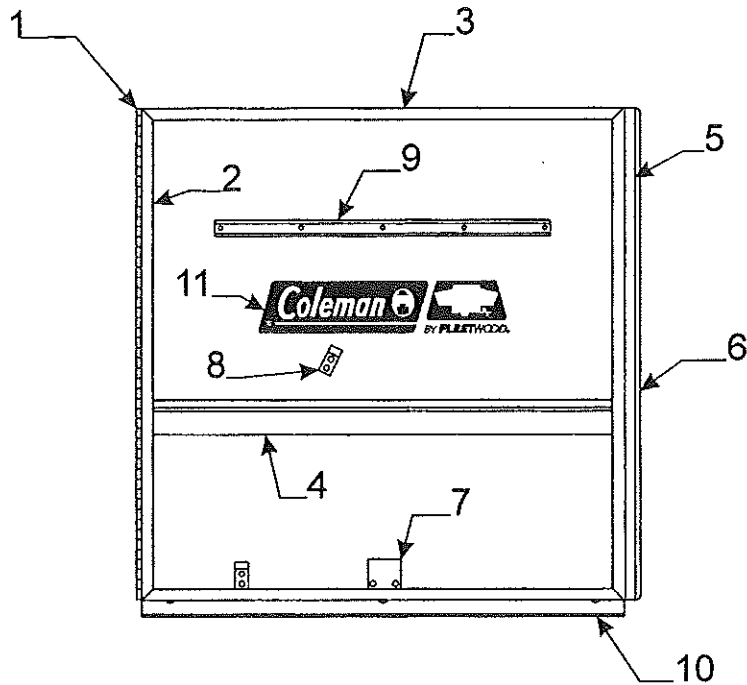


4716K8251 Curbside Trim Tape/Hardware Kit

Flat Rate	Code	Part #	Description
	Curbside Right Rear Body Pnl. & Components		
1.00	1	4716B9751	csr body panel 3775 Taos
1.00		4758-1441	csr body panel 3756 Yuma
1.00		4757C3071	csr body panel 3776 Sedona, 3752 Cottonwood
1.00		4757A9631	csr body panel 3753 Laramie
1.00		4754F9701	csr body panel 3792 Tacoma
1.00	2	4749D9761	csr body rail 3775 Taos
1.00		4754C8031	csr body rail 3756 Yuma
1.00		4757A3081	csr body rail 3776 Sedona, 3752 Cottonwood
1.00		4757A9661	csr body rail 3753 Laramie
1.00		4754C9511	csr body rail 3792 Tacoma
.10	2A	4716-2771	vel-stick body rail pkg.
.15	3	4716-7061	inner/outer miter cover pkg.m4
			Note: pkg. includes rivets
.25	4	4734C4121	lift trim, rivets & gasket pkg. m4
		4733-3398	nylon flange bushing x2 per trim
.15	5	4741C6041	top latch w/out lock tab
		4749-4848	foam pad
.50	6	4716K8251	trim tape & hardware kit
.25	7	4746A3861	duplex cover & outlet
.35		4746-3871	duplex box
		1203-8678	rivet m25 (rivet box to pnl.)
.25	8	4752-9921	porch light
.10		4716-5511	porch light lens "amber"
.15	9	4738-3941	turn button & rivet
	10	4060050008P	1/2" x 1" foam tape pkg. (12' pc.)
1.25	11	4754A6201	door bulkhead csr 3756, 3776
1.25		4754B6201	door bulkhead csr 3752, 53, 92
1.25		4747A0101	door bulkhead csr 3775 Taos
		4734C1861	rivet m25 (arctic white)
	12	1203-8831	rivet m25

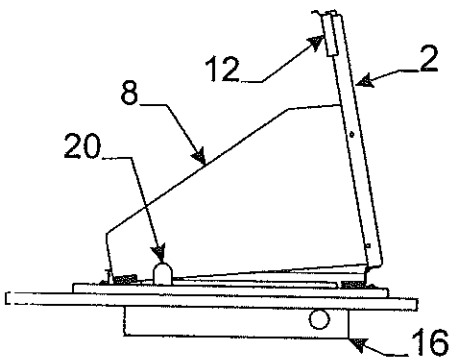
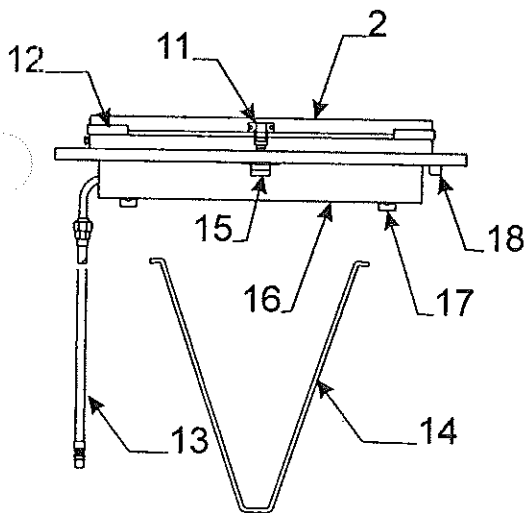
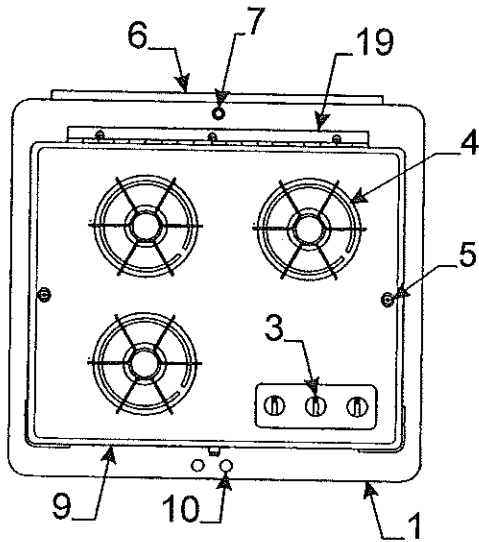


4716K8251 Curbside Trim Tape/Hardware Kit			
Curbside Right Front Body Pnl. & Components			
Flat Rate	Code	Part #	Description
.85	1	4716C0441	csf body panel 3775 Taos
.85		4754C8051	csf body panel 3756 Yuma
.85		4757C3111	csf body panel 3776, 3752
.85		4757A9621	csf body panel 3753 Laramie
.85		4756C9281	csf body panel 3792 Tacoma
1.00	2	4747C0561	csf body rail 3775 Taos
1.00		4754C8021	csf body rail 3756 Yuma
1.00		4757-9651	csf body rail 3753 Laramie
1.00		4757A3121	csf body rail 3776, 3752
1.00		4754C9501	csf body rail 3792 Tacoma
.10	2A	4716-2771	vel-stick body rail pkg.
.15	3	4716-7061	inner/outer miter cover pkg. m4
.25	4	4734C4121	lift trim, rivets & gasket pkg. m4
		4733-3398	nylon flange bushing x2 per trim
.15	5	4741C6041	top latch w/out lock tab
		4749-4848	foam pad
1.00	6	4730C3111	lock handle (with key)
1.00	7	4754-1691	latch, strike & lever (all except Taos)
1.00		4747-3501	latch, strike & lever 3775 Taos
1.25	8	4754A6191	door bulkhead csf 3756, 76
1.25		4754B6191	door bulkhead csf 3752, 53,92
1.25		4747A0091	door bulkhead csf 3775 Taos
.25	9	4754A2111	door bulkhead angle (all except Taos)
.25		4749B3881	door bulkhead angle 3775 Taos
		4350000022F	foam tape (sold/foot)
.50	10	4716K8251	trim tape & hardware kit
	11	4060050008P	1/2" x 1" foam tape pkg.(12' pc.)
.25	12	4749L3198	Taos name decal 3775
.25		4758-1468	Yuma name decal 3756
.25		4757B3348	Sedona name decal 3776
.25		4758-0758	Cottonwood name decal 3752
.25		4758-0608	Laramie name decal 3753
.25		4753G0708	Tacoma name logo 3792

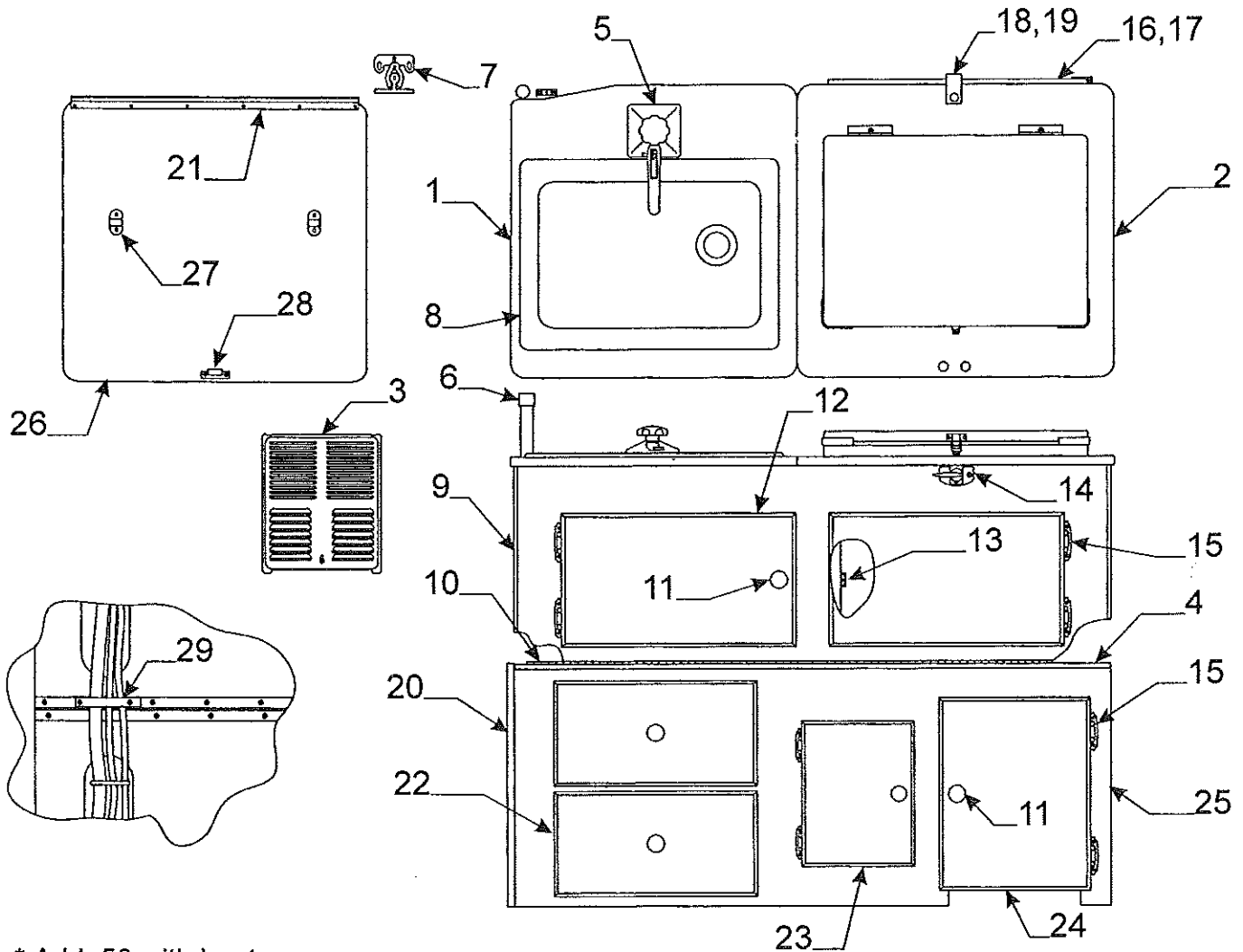


4754G5111 Access Door Assy. (All except Taos) F.R. .50
4749N6471 Access Door Assy. 3775 Taos F.R. .50
Note: Access Door less trim tape (must order separately)

Access Door Assembly Components			
Flat Rate	Code	Part #	Description
.25	1	4754C0281	door hinge (all except Taos)
.25		4747B3621	door hinge 3775 Taos
.35	2	4754-0251	door frame (all except Taos)
.35		4747A3591	door frame 3775 Taos
.25	3	4749B9821	door cap (all)
.25	4	4716C4961	trim tape pkg. (5' pc.)
.20	5	4060000023P	d-seal pkg. (5' pc.)
.25	6	4754D0261	door frame (all except Taos)
.25		4747A3601	door frame 3775
.10	7	4749A9941	door bracket (all)
.10	8	4720A0721	cooler clip m2
		4745-3968	screw x2
.25	9	4750A8481	stove support brkt.
		4716-081	screw x2
.25	10	4747C3611	bottom trim (all)
	11	4752C0788	by Fleetwood decal

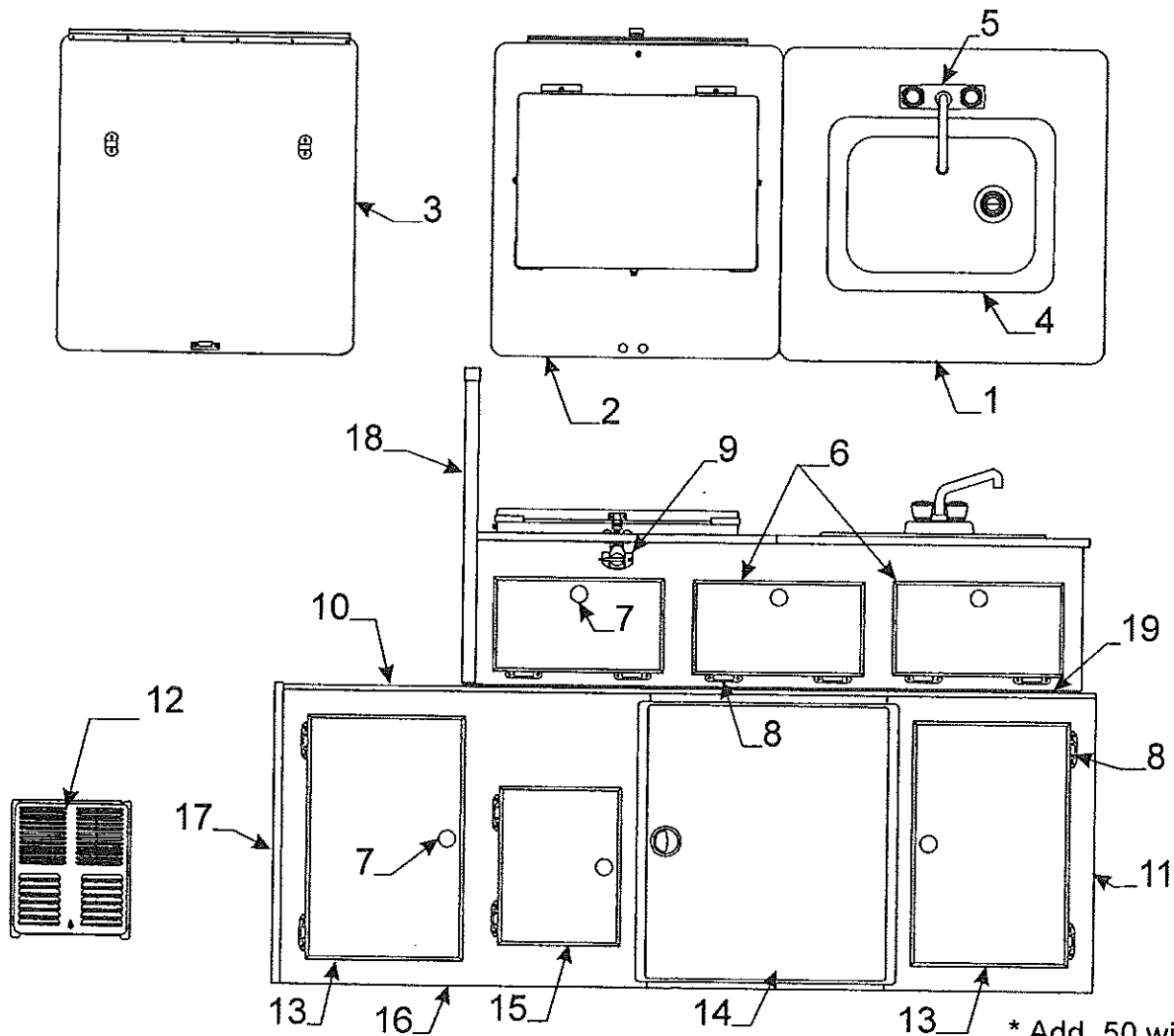


Flat Rate	Code	Part #	Description
.60	1	4754E0451	counter top 3775 Taos
.60		4754D9441	counter top 3776, 3753
.60		4757C3971	counter top 3792 Tacoma
.60		4757B9401	counter top 3752, 3756
.30		4060475001P	t-molding pkg. (14' pc.)
.15	2	4749F6601	stove cover assy. 3775,76,56,52,53
.15		4748C6461	stove cover assy. 3792
.05	3	4716A1861	stove knob M3
.05	4	4752A9881	stove grate
.05	5	4716-2631	stove top screw/washer m2
.35	6	4754-0471	stove hanger bracket
.05	7	4730A3548	stud w/screw
.25	8	4716-2661	stove fin "right" (2 or 3 burner)
.25		4716-2651	stove fin "left" (2 or 3 burner)
.15	9	4746B9491	cook top 2 burner 3775,76,56,52,53
.15		4746B8561	cook top 3 burner 3792
	10	4739E2908	screw cap m10
		4739-2918	screw cap washer m10
.15	11	4733-4018	stove cover latch
		1203-8558	rivet m25 (x2 per latch)
.15		4733-4028	strike
		4737-8478	screw
.05	12	4732A2291	edge molding m2
.25	13	4716-7131	48" gas hose pkg.
Note: Pkg. consist of (1) hose, inside & outside quick disconnect			
.05	14	4748-2731	support leg (all)
.15	15	4754A08861	latch strike
.75	16	4748D2581	stove box (2 burner) 3775,76,56,52,53
.75		4739H2931	stove box (3 burner) 3792
.20	17	4740A1891	support leg brkt. w/rivets m2
.05	18	4724-2608	stop button
.10	19	4716-2671	stove cover hinge
.15	20	4716-2641	stove fin stay brkt. m2



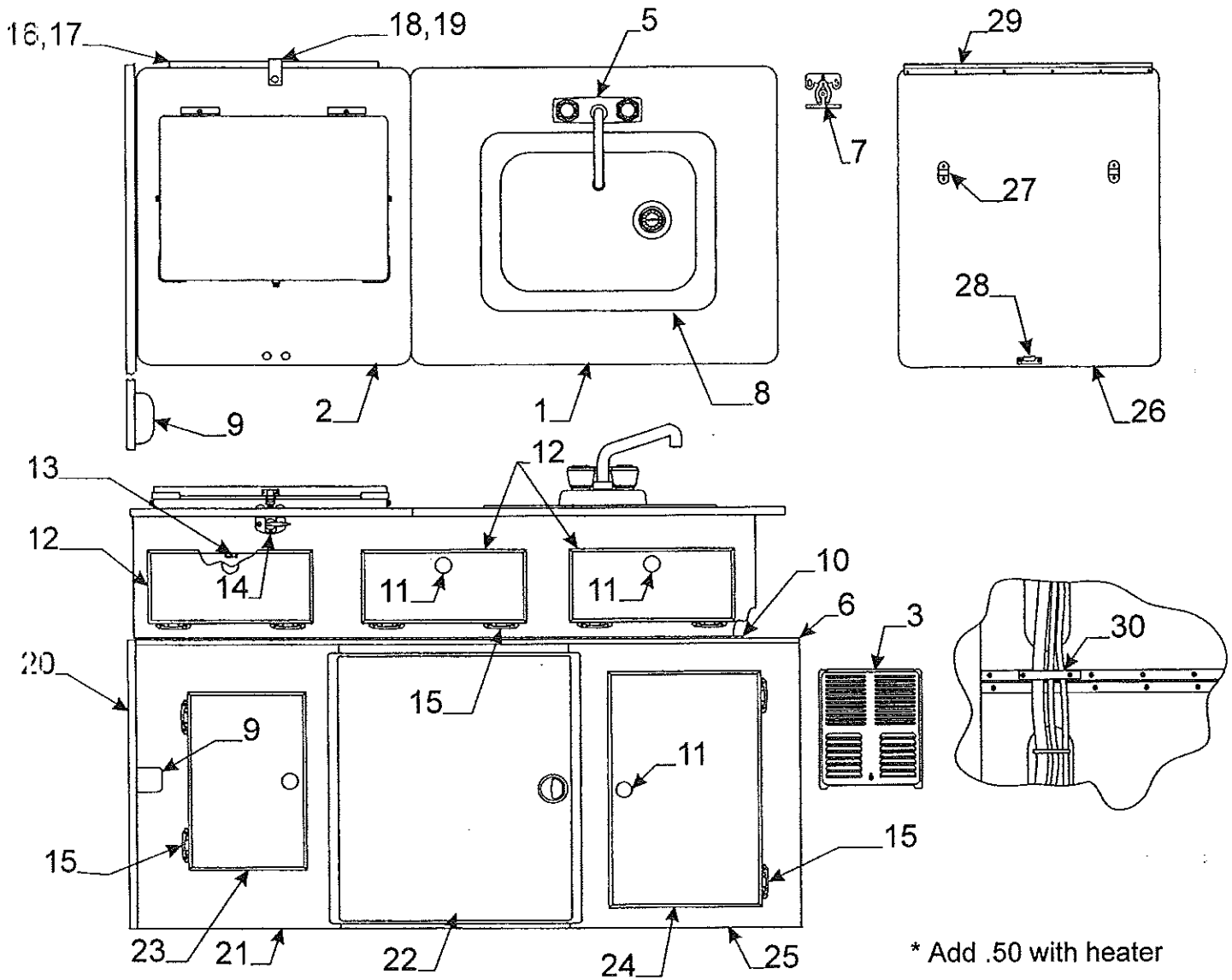
* Add .50 with heater

Flat Rate	Galley Assy. Components - 3775 Taos	Flat Rate	
Code	Part # Description	Code	Part # Description
1.00	1 4757A8061 upper galley top	.15	12 4758-4101 dr. pnl x2 - 9 1/4" x 15 3/4"
.30	4060475001P t-molding pkg. (14' pc.)	.15	13 4733-6391 latch & strike pkg.
	2 Note: refer to page 13 for this item	.20	14 4754-0501 latch
.10	3 4743-3551 furnace grill	.10	15 4739B0518 hinge
1.25	4 *4747J4371 lower galley top	.10	4745C26188 hinge (spring loaded)
	4716-9691 hose strap pkg.	.25	16 4750A8481 stove support
.20	4746C0971 kill switch m4	.35	17 4754-0461 stove support brkt.
.40	5 4734D0161 hand pump "Shurflo"	.15	18 4723B5061 safety strap
.40	4734E0161 hand pump "Atwood"	.05	19 4730A3548 stud w/screw
	4741A9551 check valve (Atwood only)	.35	20 4749J9891 seat end
	4741A9561 female copper adapter	.30	4060400091P t-molding (12' pc. Pkg)
	4716-081 screw x4	.15	21 4754-0471 hanger bracket
	Note: refer to page 12 for pump components	.15	22 4758G5691 drawer assy. x2
.25	6 4758-8201 galley pole	.15	4758-3171 drawer frt. 14 3/4" x 7 1/2"
	4752-0551 plastic cap m2	.15	23 4758-4041 door panel 12" x 9 1/8"
.15	7 4744A9261 knuckle latch m4	.15	24 4758-4131 door panel 14" x 10 3/4"
	4738-3088 screw x2	1.50	25 *4749L9901 galley front
.30	8 4710F0301 sink	.10	26 4754D5391 cutting board assy.
	Note: refer to page 12 for sink components	.10	27 4740A1891 support leg brkt. m2
.65	9 4716D0151 3/8" f-channel 24" pc.	.10	28 4754A08861 latch strike
.50	10 4757-2621 hinge	.10	29 4716-9691 hose strap pkg.
.10	11 4748A3951 door pull (includes screw)		



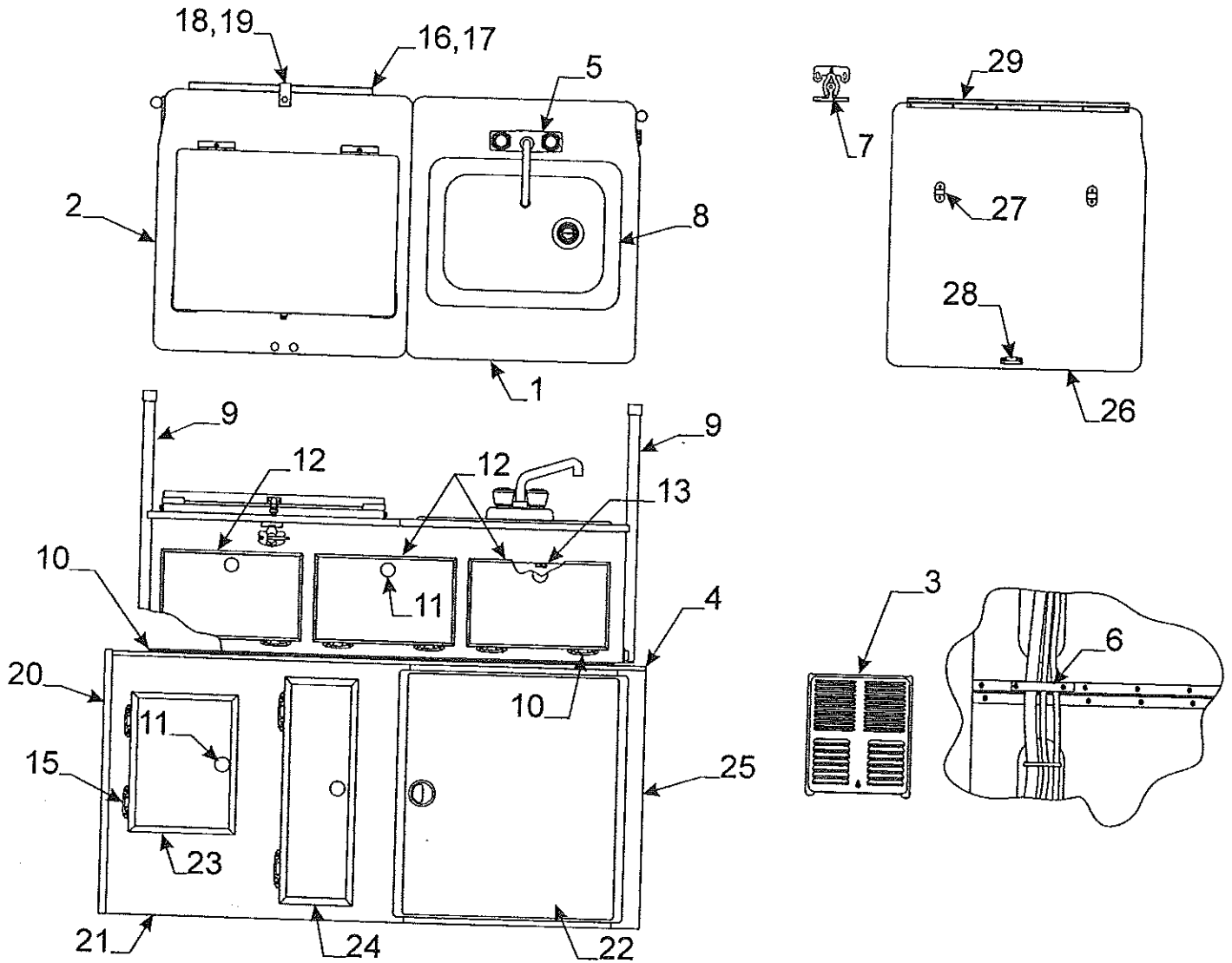
* Add .50 with heater

Flat Rate	Upper & Lower Galley Assy. Components - 3756 Yuma	Code	Part #	Description
1.00		1	4757D3231	upper galley top
.30			4060475001P	t-molding pkg. (14' pc.)
		2		Note: refer to page 13 for this item
.10		3	4767-5551	cutting board assy.
				Note: refer to page 14 for hardware
.30		4	4710F0301	sink
				Note: refer to page 12 for sink components
.40		5	4745E2741	mixer faucet
			4758-8508	dual facet use decal
.15		6	4758-4271	door panel x3 - 8" x 13"
.10		7	4748A3951	door pull (includes screw)
.10		8	4739B0518	hinge
.20		9	4754-0501	latch
1.25		10	4758-1521	lower galley top
			4716-9691	hose strap pkg.
.20			4746C0971	kill switch m4
1.50		11	*4757A3201	lower galley frt. (small)
.10		12	4743-3551	furnace grill
.15		13	4758-3061	door panel 18 1/2" x 12"
.25		14	4754A0481	built-in cooler
.15		15	4758-4041	door panel 12" x 9 1/8"
.75		16	4758-1511	lower galley frt. (large)
.75		17	4754C3431	lower galley side left
.25		18	4757A2991	galley rest pole
			4752-0551	plastic cap m2
.50		19	4754-9451	hinge



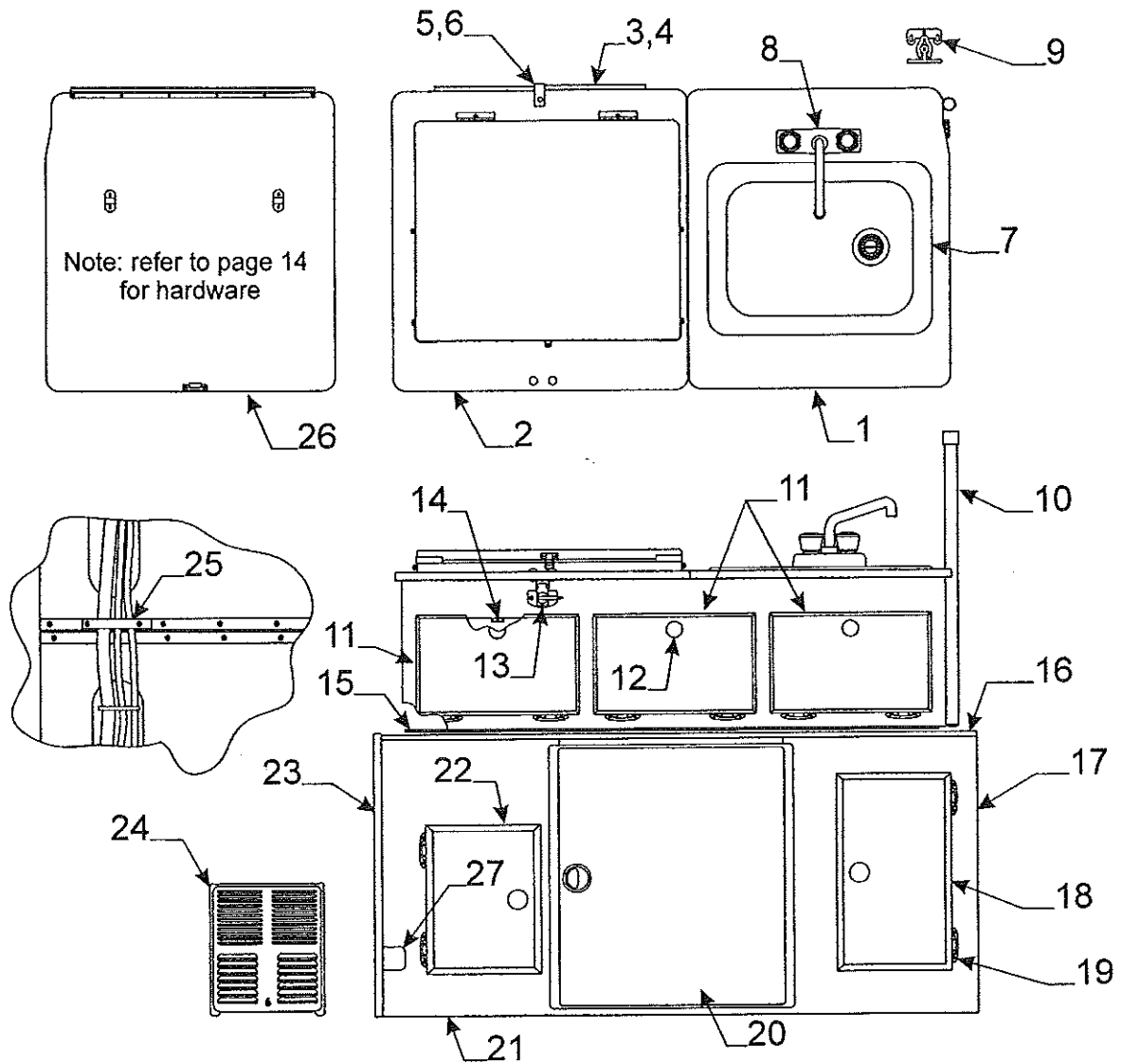
* Add .50 with heater

Flat Rate	Code	Part #	Description	Flat Rate	Code	Part #	Description
1.00	1	4757D3231	upper galley top	.15	13	4733-6391	latch & strike pkg.
.30	2	4060475001P	t-molding pkg. (14' pc.)	.20	14	4754-0501	latch
	2	Note: refer to page 13 for this item		.10	15	4739B0518	hinge
.10	3	4743-3551	furnace grill	.10		4745C26188	hinge (spring loaded)
1.25	4	*4757B3191	lower galley top	.25	16	4750A8481	stove support
.20		4746C0971	kill switch m4	.35	17	4754-0461	stove support brkt.
.40	5	4745E2741	mixer faucet	.15	18	4723B5061	safety strap
		4758-8508	dual facet use decal	.05	19	4730A3548	stud w/screw
1.25	6	*4757B3191	lower galley top	.35	20	4754E2611	seat gazoodi
.15	7	4744A9261	knuckle latch m4	.30		4060400091P	t-molding (12' pc. Pkg)
		4738-3088	screw x2	.75	21	*4754E8421	lower galley frt. "left"
.30	8	4710F0301	sink	.25	22	4754A0481	built-in cooler
		Note: refer to page 12 for sink components		.15	23	4758-4041	door panel 12" x 9 1/8"
.25	9	4754B0901	galley rest (plastic)	.15	24	4758-3061	dr pnl 18" 1/2" x 12"
.50	10	4757-2621	hinge	1.50	25	4757A3201	galley front "right"
		1103B08148	7/8" screw x6	.10	26	4757-4411	cutting board assy.
		1016B08208	machine screw x2	.10	27	4740A1891	support leg brkt. M2
		1201B6908	nut x2	.10	28	4754A08861	latch strike
.10	11	4748A3951	door pull (includes screw)	.15	29	4754-0471	hanger bracket
.15	12	4758-4271	door pnl. 13" x 8"	.10	30	4716-9691	hose strap pkg.



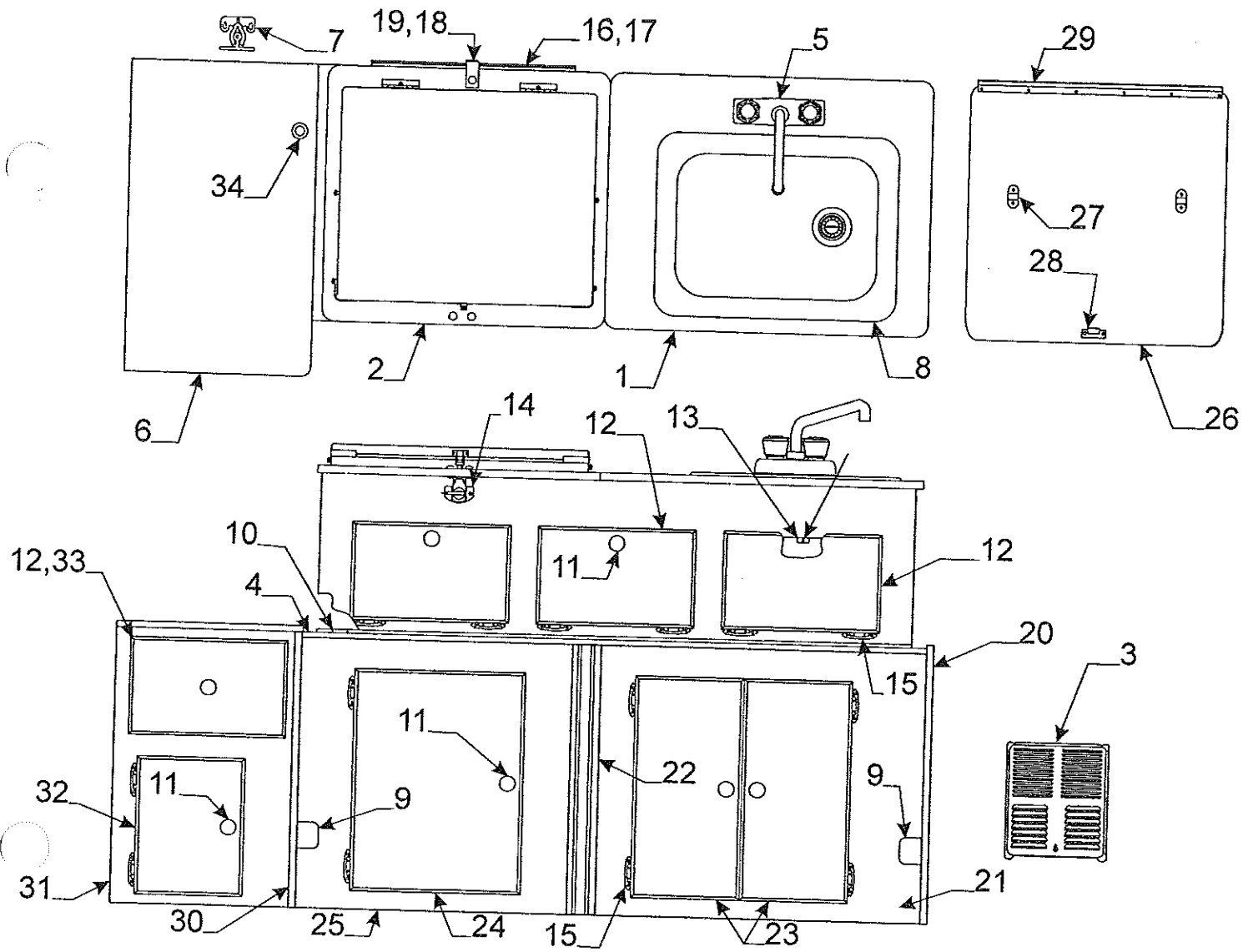
* Add .50 with heater

Flat Rate	Code	Part #	Description	Flat Rate	Code	Part #	Description
1.00	1	4758-8371	galley top (non hot water)	.15	12	4758-4271	door panel 13" x 8"
1.00		4758A0321	galley top (hot water)	.15	13	4733-6391	latch & strike pkg.
.30		4060475001P	t-molding pkg. (14' pc.)	.20	14	4754-0501	latch
	2	Note: refer to page 13 for this item		.10	15	4739B0518	hinge
.10	3	4743-3551	furnace grill	.10		4745C26188	hinge (spring loaded)
1.25	4	*4757A9341	lower galley top	.25	16	4750A8481	stove support
.20		4746C0971	kill switch m4	.35	17	4754-0461	stove support brkt.
1.00	5	4745E2741	mixer faucet	.15	18	4723B5061	safety strap
		4758-8508	dual faucet use decal	.05	19	4730A3548	stud w/screw
.10	6	4716-9691	hose strap pkg.	.35	20	4754C3431	seat gazoodi
.15	7	4744A9261	knuckle latch m4	.30		4060400091P	lipped t-molding (12' pc.)
.30	8	4738-3088	screw x2	.75	21	*4757-9321	lower galley frt. "left"
.80		4710F0301	sink (non hot water)	.25	22	4754A0481	built-in cooler
		4745B2801	sink (hot water)	.15	23	4758-4041	door panel 12" x 9 1/8"
		Note: refer to page 12 for sink components		.15	24	4758-3101	door panel 8 3/4" x 18 1/2"
25	9	4757A2991	galley rest pole	1.50	25	4756C0361	galley front "right"
		4752-0551	plastic cap m2 (white)	.10	26	4767-5551	cutting board assy.
50	10	4757-2621	hinge	.10	27	4740A1891	support leg brkt. M2
		1103B08148	7/8" screw x6	.10	28	4754A08861	latch strike
.0	11	4748A3951	door pull (includes screw)	.15	29	4754-0471	hanger bracket



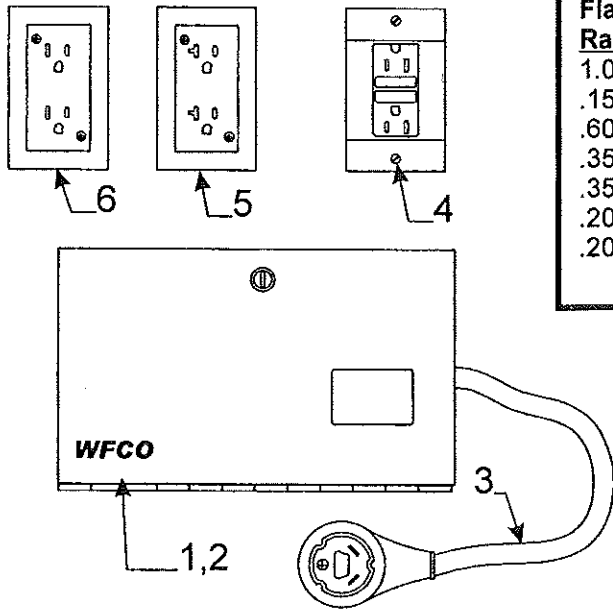
* Add .50 with heater

Flat Rate	Upper & Lower Galley - 3753 Laramie	Flat Rate			Description			
Code	Part #	Code	Part #					
1.00	1	4758-8371		galley top (non hot water)	.20	13	4754-0501	latch
1.00		4758A0321		galley top (hot water)	.15	14	4733-6391	door latch & strike
.30		4060475001P		t-molding pkg. (14' pc.)	.50	15	4757-2621	hinge (all)
	2	Note: refer to page 13 for this item			1.25	16	4758-0221	lower galley top
.25	3	4750A8481		stove support	.20		4746C0971	kill switch m4
.35	4	4754-0461		stove support brkt.	.75	17	4758-0211	lower galley frt. right
.15	5	4723B5061		safety strap	.15	18	4758-3061	door pnl. 18 1/2" x 12"
.05	6	4730A3548		stud w/screw	.10	19	4739B0518	hinge
.30	7	4710F0301		sink (non hot water)	.10		4745C26188	hinge (spring loaded)
.80		4745B2801		sink (hot water)	.25	20	4754A0481	built-in cooler
	8	4745D2741		mixer faucet	.75	21	*4754C8421	lower galley frt. left
		4758-8508		dual facet use decal	.15	22	4758-4041	door pnl. 14" x 9 1/8"
.15	9	4744A9261		knuckle latch m4	.35	23	4754G0581	gazoodi
.25	10	4757A2991		galley support pole	.30		4060400091P	lipped t-molding (12' pc.)
		4752-0551		plastic cap m2	.10	24	4743-3551	furnace grill
.15	11	4758-4271		door panel x3 -13" x 8"	.10	25	4716-9691	hose strap pkg.
.10	12	4748A3951		door pull (includes screw)	.10	26	4757-4411	cutting board
					.25	27	4754B0901	galley rest (plastic)



* Add .50 with heater

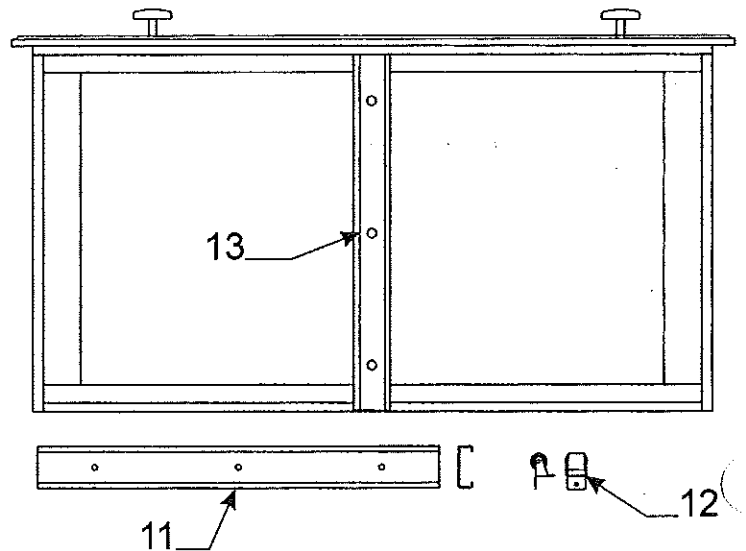
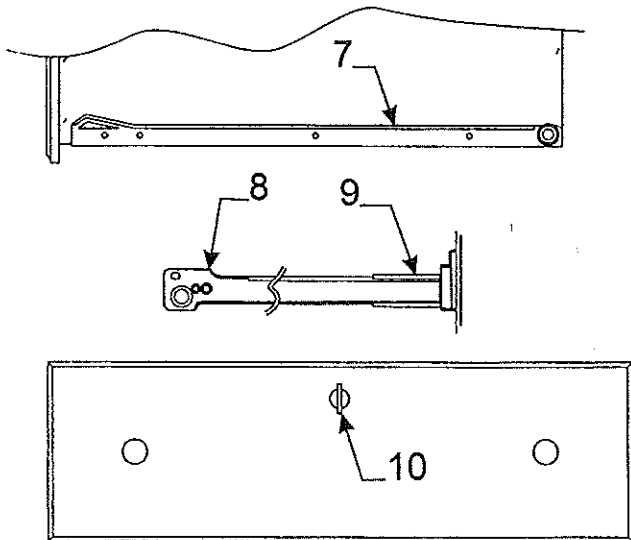
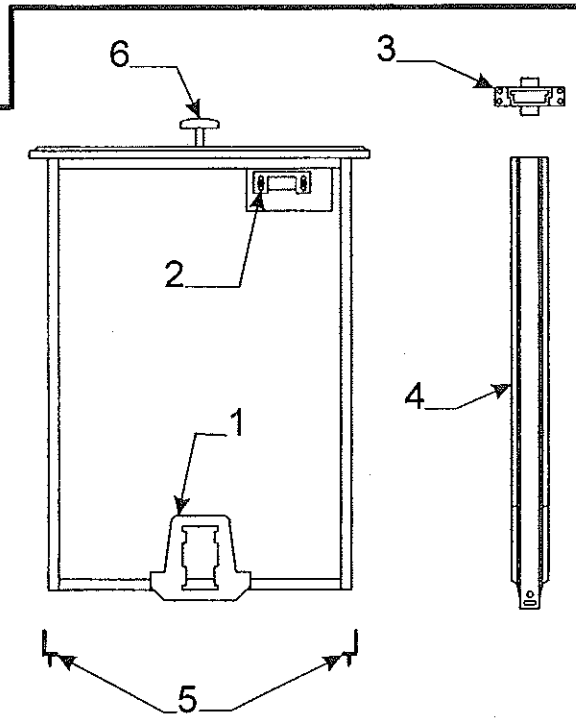
Flat Rate	Code	Part #	Description	Flat Rate	Code	Part #	Description
1.00	1	4758-8511	upper galley top (non hot water)	.25	16	4750A8481	stove support
1.25		4757A4151	upper galley top (hot water)	.35	17	4754-0461	stove support brkt.
.30		4060475001P	t-molding pkg. (14' pc.)	.15	18	4723B5061	safety strap
	2		Note: refer to page 13 for this item	.05	19	4730A3548	stud w/screw
.10	3	4743-3551	furnace grill	.35	20	4755B2901	gazoodi
1.25	4	4755E1381	lower galley top	.30		4060400091P	lipped t-molding (12' pc. Pkg)
.20		4746C0971	kill switch m4	.75	21	4755F0711	lower galley frt. "right"
1.00	5	4745E2741	mixer faucet	.50	22	4758-9131	galley molding
.25	6	*4758-8508	dual faucet use decal	.15	23	4758-3101	door panel x2 -18 1/2" x 8 3/4"
.15	7	4744A9261	knuckle latch m4	.15	24	4758-4561	door panel 18 1/2" x 13 3/4"
		4738-3088	screw x2	1.50	25	4757F0061	galley front "left"
.30	8	4710F0301	sink (non hot water)	.10	26	4759A5651	cutting board assy.
.80		4745B2801	sink (hot water)	.10	27	4740A1891	support leg brkt. M2
			Note: refer to page 12 for sink components	.10	28	4754A08861	latch strike
25	9	4754B0901	galley rest (plastic)	.15	29	4754-0471	hanger bracket
50	10	4757-2621	hinge	.35	30	4716D0151	3/8" f-channel 24" pc.
10	11	4748A3951	door pull (includes screw)	.75	31	*4758-3861	cabinet front
.15	12	4758-4271	door panel x3 - 13" x 8"	.15	32	4758-4041	door pnl. 12" x 9 1/8"
.15	13	4733-6391	latch & strike pkg.	.15	33	4767-6981	drawer assy.
	14	4754-0501	latch	.10	34	4747-8941	black cap insert
10	15	4739B0518	hinge				
10		4745C26188	hinge (spring loaded)				

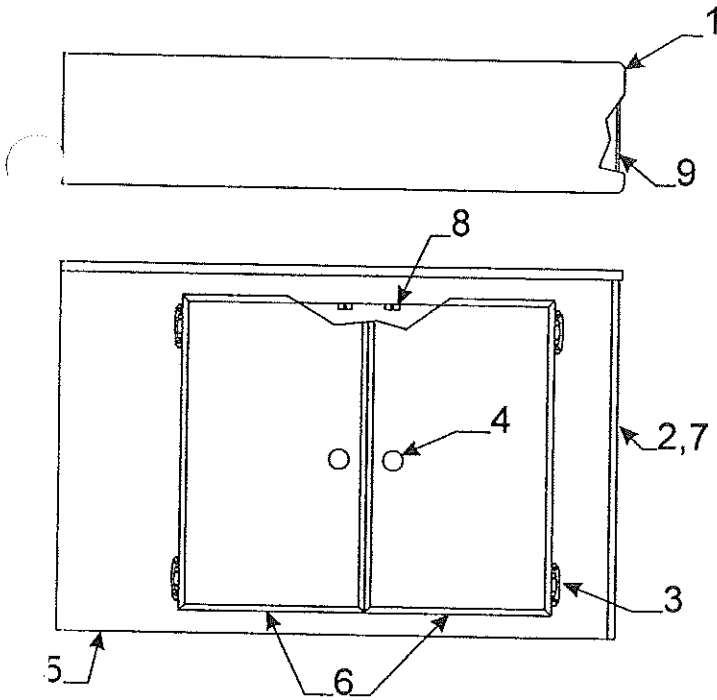


Flat Rate	Code	Part #	Description
1.00		4753C8201	converter 25 amp WFCO
.15	2	4716B1301	converter face cover (plastic)
.60	3	4744A3101	power cord 30 ft.
.35	4	4746B3841	GFI receptacle w/cover (wht.)
.35		4755-8321	20 amp GFI receptacle w/cover (wht.)
.20	5	4752-2371	20 amp receptacle w/cover (wht.)
.20	6	4752-2361	15 amp receptacle w/cover (wht.)
	7	4746A3851	receptacle box

WORLD FRIENDSHIP CO., LTD
 Warranty: 800-900-2468

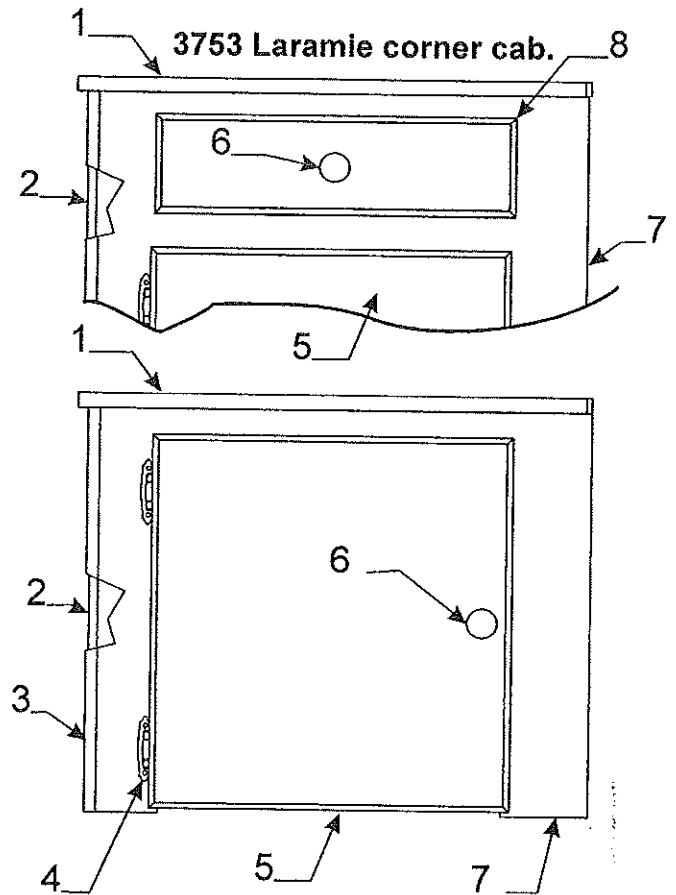
Flat Rate	Code	Part #	Description
.15	1	4749-8371	plastic base guide
.15	2	4749-8381	plastic drawer latch
.15	3	4749-8361	plastic guide socket
.25	4	4754-0721	metal drawer guide
.05	5	4749-8398	plastic corner tack
.10	6	4748A3951	door pull w/screw
.50	7	4716-8841	16" drawer guide pkg.
.50	8	4716-8911	22" drawer guide/socket set (Must cut to length)
.25	9	4755-8801	plastic socket "left"
.25		4755-8811	plastic socket "right"
.15	10	4757A9081	brass thumb turn lock
.25	11	4757-8901	14" metal drawer guide
.25		4757-8891	17" metal drawer guide
.10	12	4757-8911	drawer roller
.25	13	4757-9101	14" pvc i-beam drawer guide
		4757-8891	17" pvc i-beam drawer guide

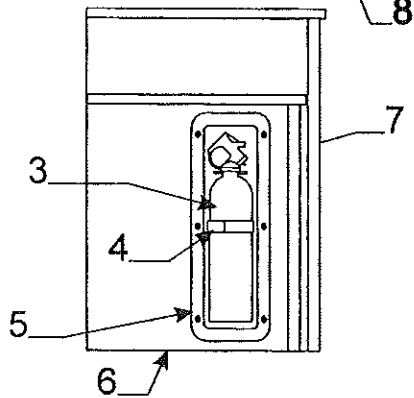
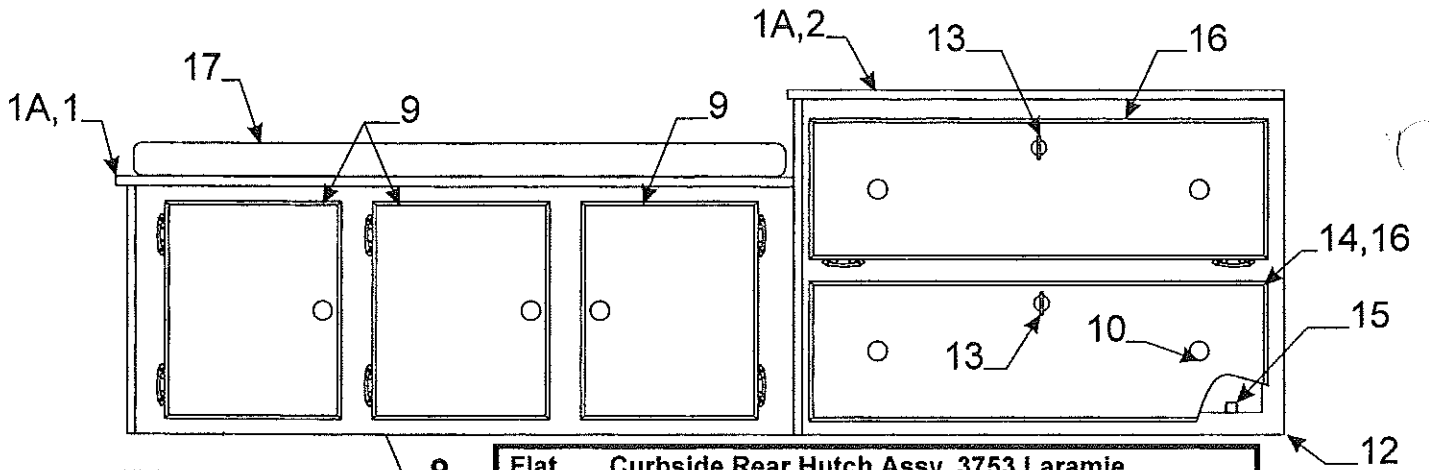




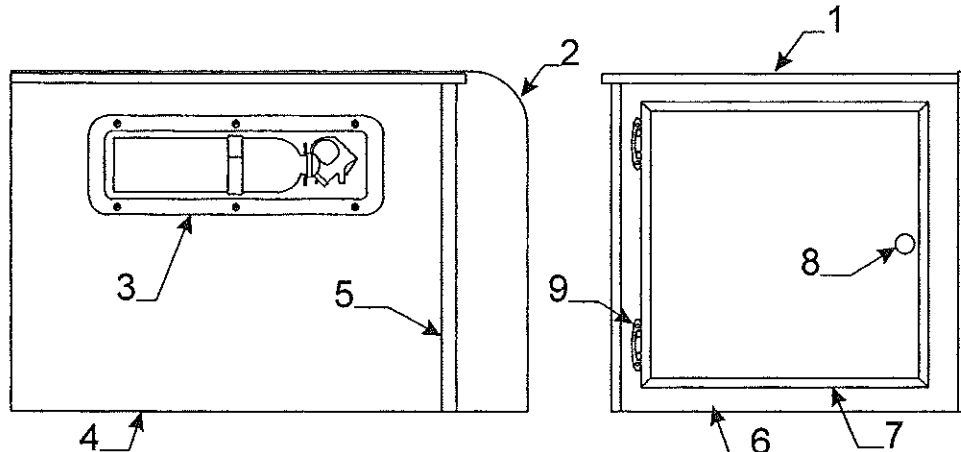
Flat Rate	Code	Part #	Description
.25	1	4755C3851	cabinet top
.30		4060475001P	t-molding pkg. (14' pc.)
.35	2	4716C0151	3/8" f-channel 24" pc.
.10	3	4745C26188	hinge (spring loaded)
.10	4	4748A3951	door pull (includes screw)
.30	5	4752H4691	cabinet side
.15	6	4758-4561	door pnl. 18 1/2" x 13 3/4"
	7		Note: refer to page 24 for fire extinguisher
.15	8	4733-6391	latch & strike pkg.
.30	9	4752H4951	cabinet front

Flat Rate	Code	Part #	Description
.25	1	4747E3321	csf cabinet top 3775 Taos
.25		4756C4701	csf cabinet top 3776 Sedona
.25		4754B9061	csf cabinet top 3756 Yuma
.25		4758-2961	csf cabinet top 3753 Laramie
.30		4060462506P	t-molding pkg. (10' pc.)
.30	2	4747F3351	cabinet side 3775
.30		4758-1611	cabinet side 3756
.30		4756C4671	cabinet side w/door cutout 3776
.30		4754C8211	cabinet side 3753
.35	3	4716D0151	3/8" f-channel 24" pc.
.10	4	4745C26188	hinge (spring loaded)
.15	5	4758-4031	door pnl. 16 1/8" x 15 1/4" 3775,56
.15		4758-4671	door pnl. 17" x 15 1/4" 3776
.15		*4758-4561	door pnl. 18 1/2" x 13 3/4" 3776
.15		4758-4261	door pnl. 15 1/8" x 15 1/8" 3753
		*Note: door pnl. used on lg. cab. side of 3776	
.15		4733-6391	latch & strike pkg.
.10	6	4748A3951	door pull (includes screw)
.50	7	4747F3281	cabinet front 3775, 3756
.50		4756C4691	cabinet front 3776
.50		4754D1841	cabinet front 3753
.15	8	4767B5451	drawer assy. 3753
.15		4758-3081	drawer front 14 3/4" x 4 3/4"

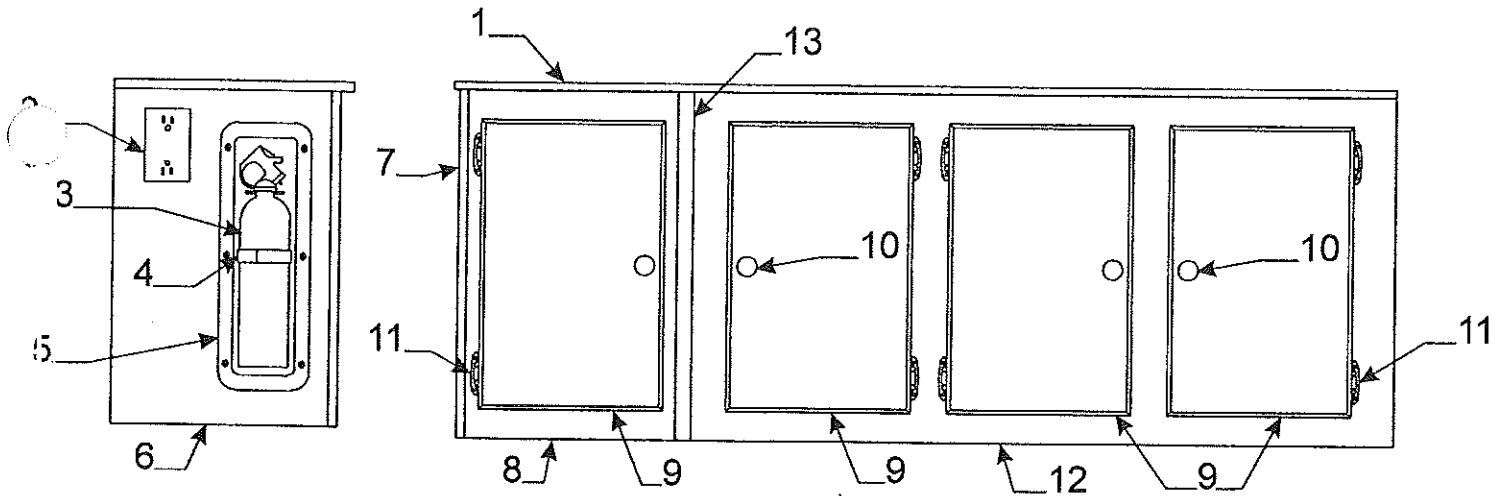




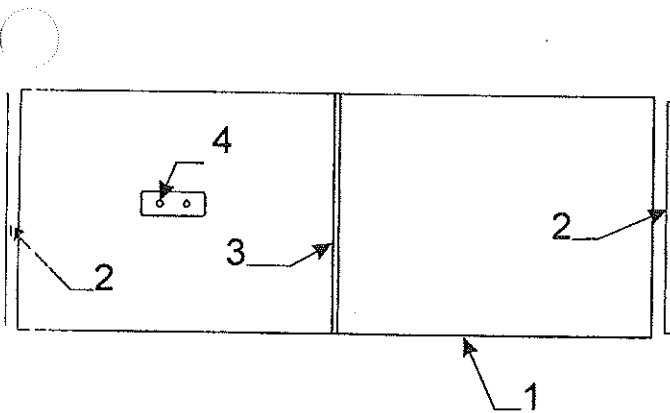
Flat Rate	Code	Part #	Description
.75	1	4758A1861	hutch top "long"
.30	1A	4060475001P	t-molding pkg. (14' pc.)
.75	2	4758A0251	hutch top "short"
.10	3	4737A5558	fire extinguisher
.05	4	4716-1191	fire extinguisher strap m2
.15	5	4737B4198	recessed mount
		4738-3088	screw x6
.55	6	4758A2351	hutch side
.35	7	4716D0151	3/8" f-channel 24" pc.
.50	8	4758A0241	hutch front "long"
.15	9	4758-3041	door pnl. 14 1/2" x 11 3/4"
.10	10	4748A3951	door pull (includes screws)
.10	11	4745C26188	hinge (spring loaded)
1.00	12	4758-4361	hutch front "short"
.15	13	4757A9081	brass thumb turn lock
.15	14	4759B6751	drawer assy.
.10	15	4757-8911	drawer roller guide m2
.15	16	4758-3091	dr./drw. panel 9 1/4" x 30 1/4"
	17	4758-2211	hutch seat cushion assy.
		4716-2211	cushion cover



Flat Rate	Code	Part #	Description	Flat Rate	Code	Part #	Description
.75	1	4757-9551	cabinet top 3752	.65	5	4716D0151	3/8" f-channel 24" pc.
.75		4758-1491	cabinet top 3756	.50	6	4754C3401	cabinet front 3752
.30		4060462506P	t-molding pkg. (9' pc.)	.50		4758-1481	cabinet front 3756
.35	2	4754C3771	gazoodi 3752,56	.15	7	4758-4261	dr. pnl. 15 1/8" x 15 1/8" 3752
.35	3	Note: refer to above for fire extinguisher...		.15		4758-4701	dr. pnl. 10 3/4" x 15 1/8" 3756
.55	4	4754B3411	cabinet side 3752, 56	.10	8	4748A3951	door pull (includes screws)
				.10	9	4745C26188	hinge (spring loaded)



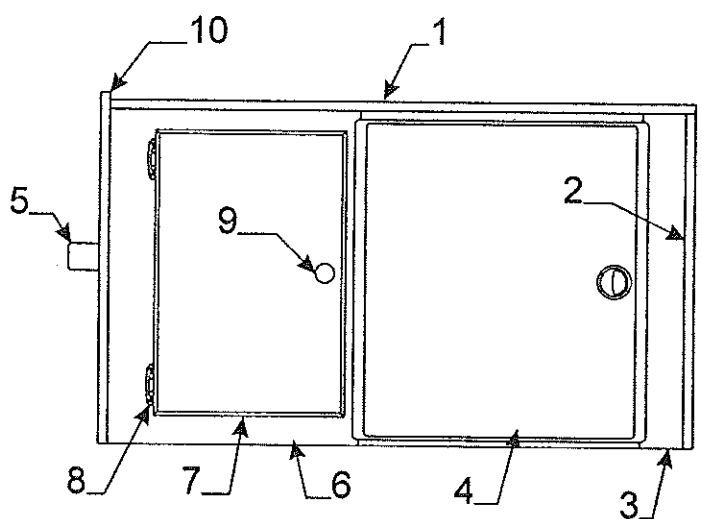
Curbside Hutch Assy. 3776 Sedona							
Flat Rate	Code	Part #	Description	Flat Rate	Code	Part #	Description
.75	1	4754D0511	hutch top	.55	6	4754D0521	hutch side
.30		4060462506P	t-molding pkg. (10' pc.)	.65	7	4716D0151	3/8" f-channel 24" pc.
.20	2	4752-2361	15 amp receptacle	.50	8	4754E0491	hutch front "small"
.10	3	4737A5558	fire extinguisher	.15	9	4758-3061	door panel 12" x 18 1/2"
.05	4	4716-1191	fire extinguisher strap m2	.10	10	4748A3951	door pull (includes screws)
.15	5	4737B4198	recessed mount	.10	11	4745C26188	hinge (spring loaded)
		4738-3088	screw x6	1.00	12	4757A3391	hutch front "large"
				.50	13	4754C054	3/8" h-channel 22 1/8" pc.

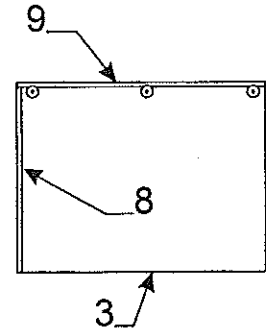
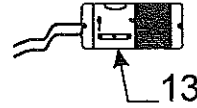
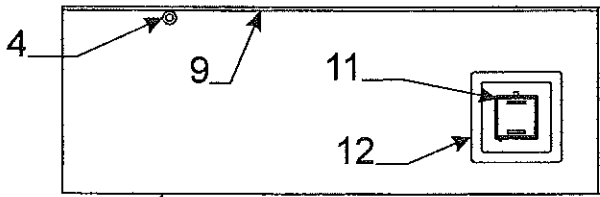


* Prior Authorization Needed

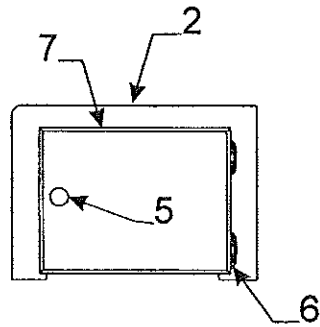
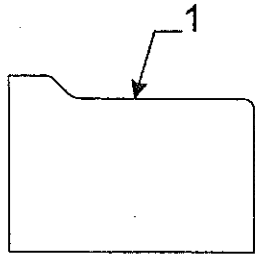
Paneling & Trim (Must Cut To Size)			
Flat Rate	Code	Part #	Description
*	1	4754E1361	universal wall panel 48" x 23 13/16"
*	2	4716C1321	universal corner divider m2 48" pc.
*	3	4716C1331	universal panel divider m2 48" pc.
.15	4	4754B0901	galley rest

RS Hutch Components 3792 Tacoma			
Flat Rate	Code	Part #	Description
.25	1	4752G4601	hutch top
.30		4060462506P	t-molding pkg. (10' pc.)
.30	2	4757-8771	cabinet side
.75	3	4755D4641	cabinet frt. rt.
.25	4	4754A0481	built-in cooler
.25	5	4754B0901	galley rest (plastic)
.75	6	4752J4551	cabinet front "left" 3792
.15	7	4758-4561	door pnl. 18 1/2" x 13 3/4"
.10	8	4745C26188	hinge (spring loaded)
.0	9	4748A3951	door pull (includes screw)
.30	10	4756B8761	gazoodi
.30		4060400091P	lipped t-molding (12' pc. pkg.)

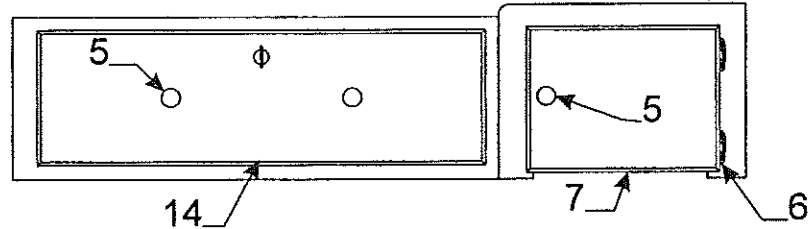
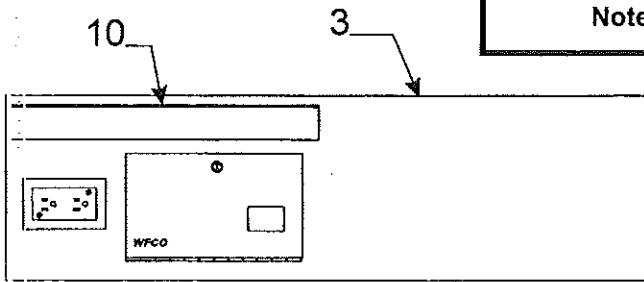




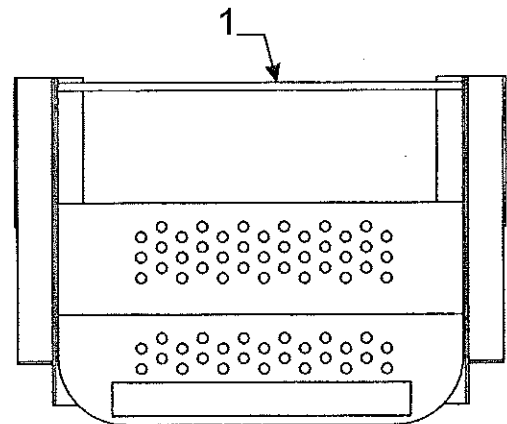
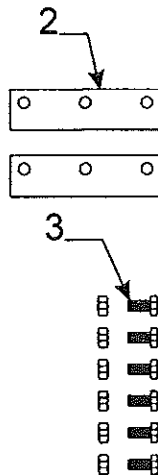
* Warranted Through Vendor



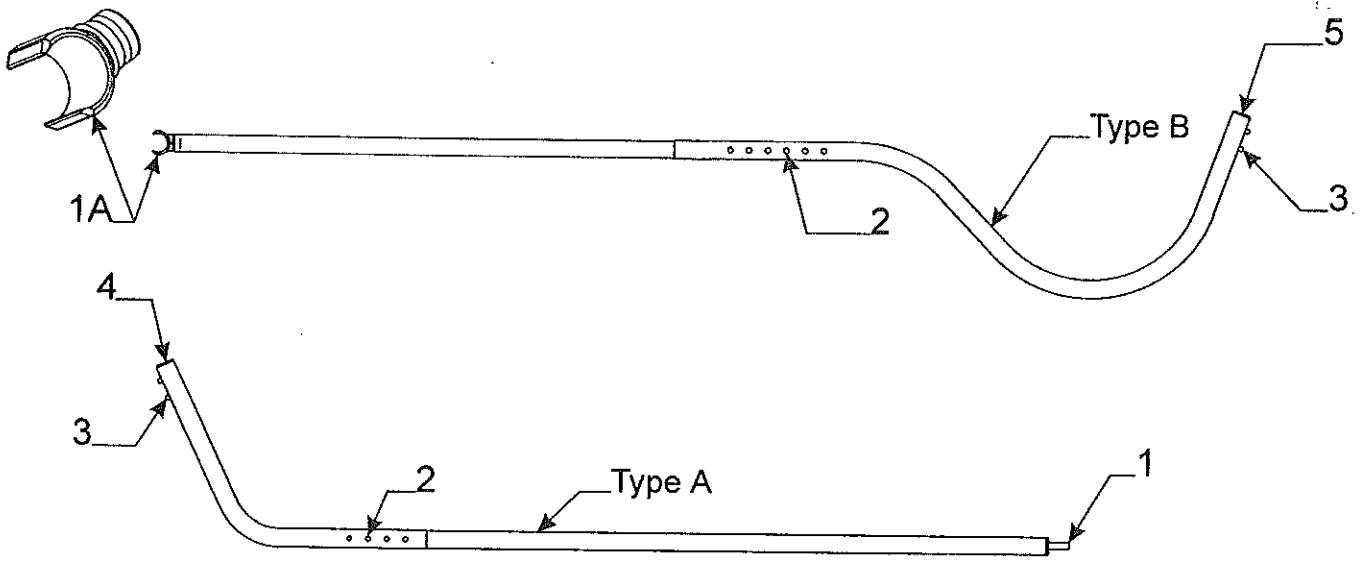
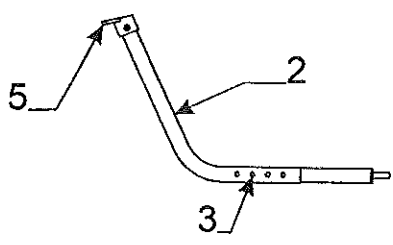
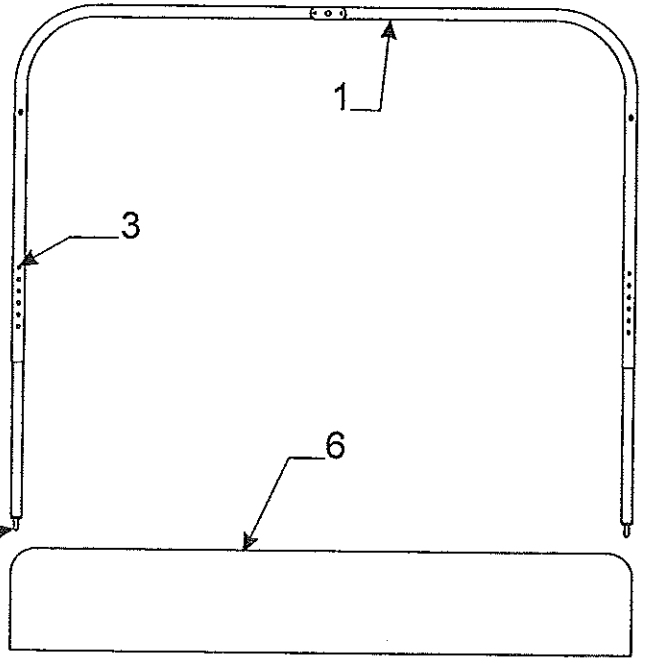
Flat Rate	Code	Part #	Description
.30	1	4749G9881	seat end curbside bench 3775
.30		4754C3431	seat end curbside bench 3756
.30		4060400091P	t-molding 5/8" lipped (12' pc. pkg.)
.35	2	4749J9891	seat end roadside bench 3775
		4754C3771	seat end roadside bench 3756
.30		4752E4771	seat end w/door cutout csf bench 3792
.30		4754B3451	seat end w/door cutout csf bench 3752
.30		4060450003P	t-molding 1/2" lipped (12' pc. pkg.)
.50	3	4716B2721	bench panel 14 1/2" x 48"
Note: seat bench ends must be cut to size where applicable			
.05	4	4724-2608	stop button
		1103B1012	#10 - 3/4" screw
.10	5	4748A3951	door pull w/screws
.10	6	4745C26188	hinge (spring loaded)
.15	7	4758-3111	door panel 16" x 12 1/4" 3792, 3752
.35	8	4716B1421	5/32" f-channel 24" pc.
.50	9	4060015603P	5/32" u-channel 48" pc.
.50	10	4752B4731	cushion rest (must cut to size) 3792, 52, 56
*	11	4752-8461	thermostat
.20	12	4747-8391	plastic base & bracket
.25	13	4753-9171	lp gas detector
.15	14	4759A6701	drawer assy. 3752 cottonwood
.15		4758-3091	drawer front
Note: refer to page 22 for drawer components			



Flat Rate	Step	Code	Part #	Description
.50	1		4747A9741	step
	2		4750-3361	step shim x2
	3		1200B3048	bolt x6
			1201B6068	nut x6

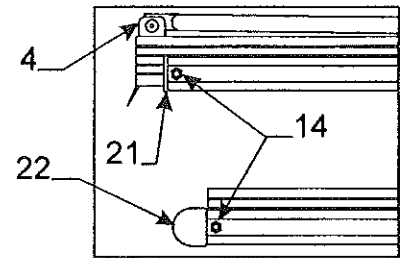
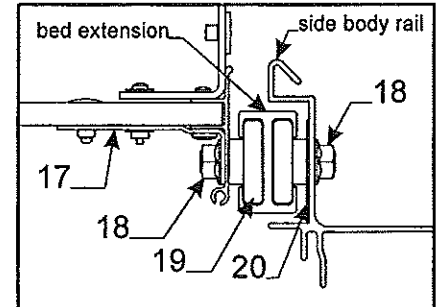
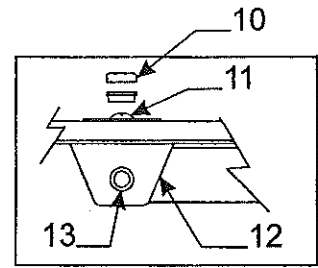
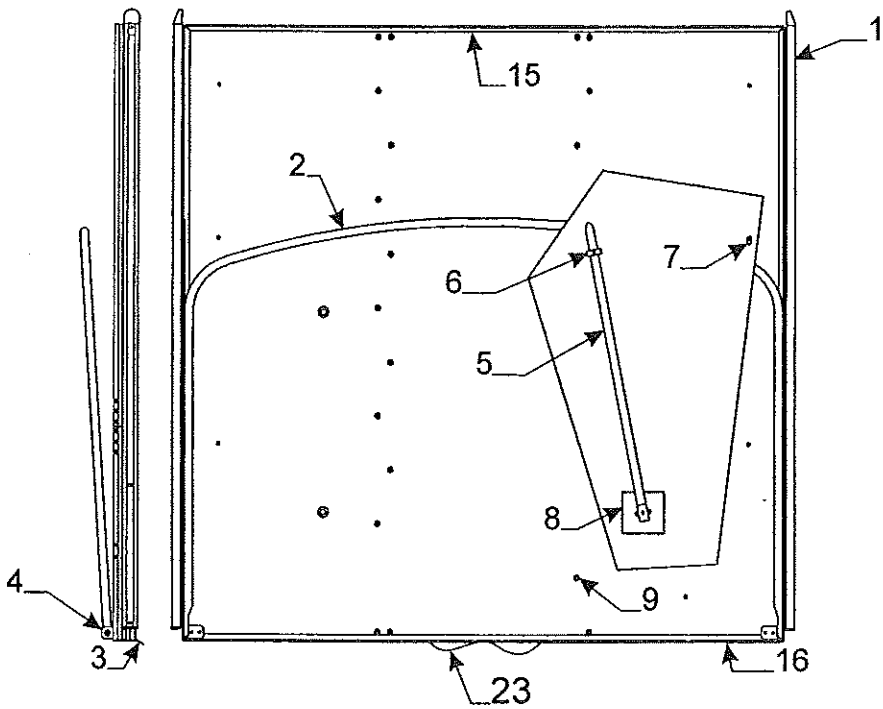


Tip-out Tent Bow 3792 Tacoma			
Flat Rate	Code	Part #	Description
.10	1	4759-5761	tip-out tent bow
.05	2	4759-5751	tip-out tent support
	3	4734-6708	snap spring
.20	4	8470-1728	black pin m10
.10	5	4757-1351	tent support tip w/screw
		4733B4511	steel loop m2 (located on top assy.)
.10	6	4757-4281	tip-out support board



Tent Support Components			
Flat Rate	Code	Part #	Description
.20	1	8470-1728	pole pin "black" m10
.20	1A	4757-4301	tent support clasp m10
.10	2	4734-6708	spring assy.
.10	3	4734A6708	spring assy.
.10	4	4730B4648	tube closure "white"
.10	5	4752A0561	tube closure "black" m2

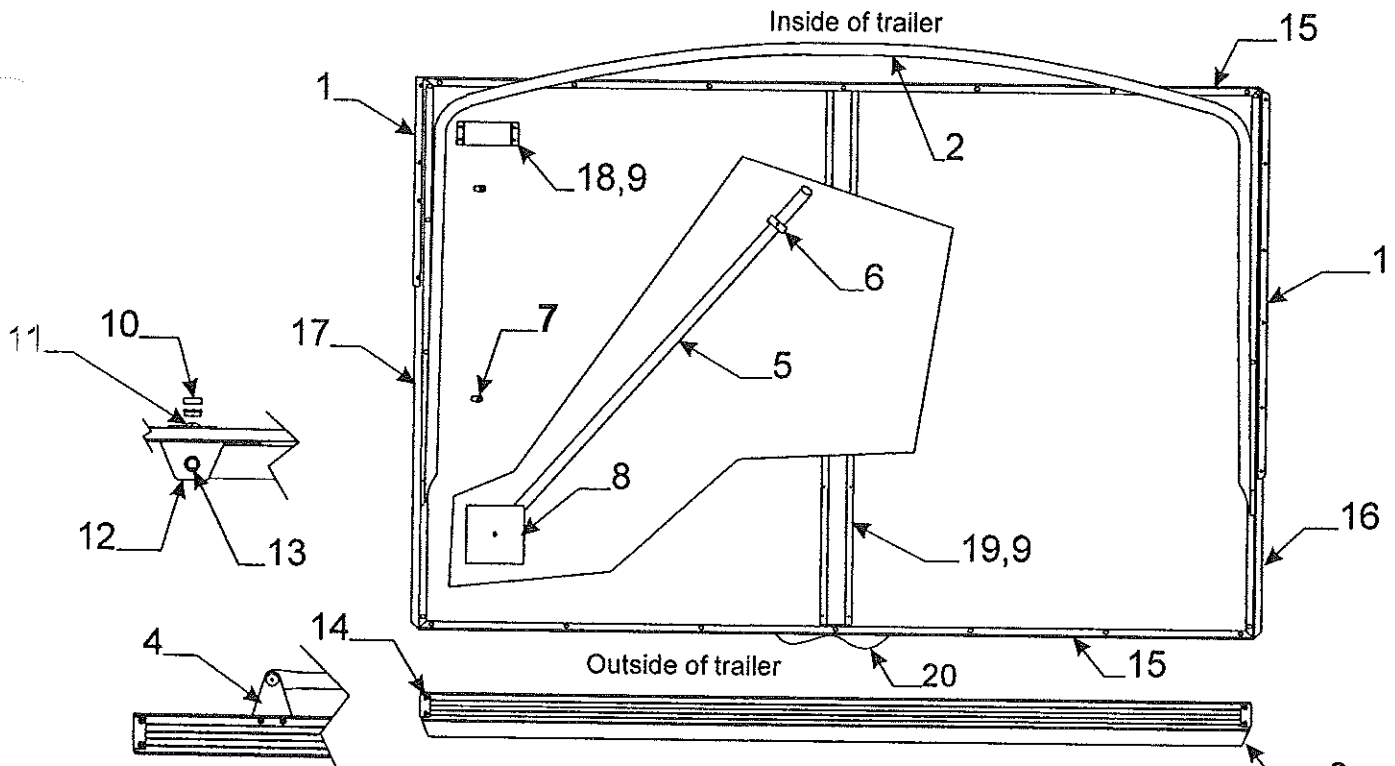
Tent Support Assemblies (Complete)				
Flat Rate .10 per Tent Support				
Model	Type	Front Bed	Type	Rear Bed
3775 Taos	A	4747A5731	A	4747A5731
3776, 52, 53	B	4759-6971	B	4759-6891
3792	B	4759-6971	B	4759-6971
3756 Yuma	B	4759-6891	B	4759-6891



- | | | |
|------------|-----------|---|
| 3776,52,92 | 4755D5161 | Front Bed Assy. "Complete"(king) F. R. - .75 |
| 3753 | 4767A5271 | Front Bed Assy. "Complete"(king) F. R. - .75 |
| 3756 | 4767A5701 | Front Bed Assy. "Complete" (double) F.R. - .75 |
| 3756 | 4767A5281 | Rear Bed Assy. "Complete" (double) F.R. .75 |
| 3776,52,53 | 4754F5701 | Rear Bed Assy. "Complete" (double) F. R. - .75 |
| 3792 | 4754F5691 | Rear Bed Assy. "Complete" (king) F.R. - .75 |

Flat Rate	Front/Rear Bed Assy. Code	Components Part #	Description
**	1	4716U4031	bed extension (x2 per bed)
		Note: must cut to size if needed for rear bed assy.	
.25	2	4714C1901	tent bow/leg package
.25	3	4060300339P	vinyl bed seal pkg. (8' pc.)
.15	4	4720K5631	bed bow bracket M2
.05		4757-9241	1 1/2" nylon fender washer m4
.20	5	4734E5881	bed leg assy. m2 (x2 frt. all/rear 3756,76)
.20		4753-3811	bed leg assy. (x2 rear bed 3752,53,92)
.15	6	4720C0771	bed leg clip m4
		1203-8831	rivet m25 (rivet clip to bed)
.15	7	4720D4021	lashing hook m6
		1203-8741	rivet m25 (rivet hook to bed)
.20	8	4737A4178	support plate
	9	1203C8721	rivet m25
	10	4739E2908	screw cap m10
		4739-2918	screw cap washer m10
	11	4716-074	screw
		1202B2528	washer
.20	12	4734A5141	bed leg bracket
	13	4720A2361	rod & pal nut
.20	14	1034B16128	flat head screw
		1201B6378	lock nut
1.50	15	4744D9991	inside bed frame (front bed 3792)
1.50		4739C4631	inside bed frame (front/rear bed 3756)
1.50		4720G1181	inside bed frame (rear bed 3776,52,53)
1.50	16	4744D9991	outside bed frame (front bed 3792)
1.50		4720G1181	outside bed frame (front/rear bed 3756,76,52,53)
.20	17	4755A2591	bed brkt. w/mounting hardware x4
	18	4739-2298	lock nut
.50	19	4754-8101	bed roller, nut, bolt, & washer pkg.
	20	1202B2908	washer
.15	21	4754-8631	bed slide end cap
.15	22	4754-4821	bed slide wedge
.20	23	4758-9481	pull-out handle strap & rivets
		4758-8001	rivet "black" m25

** .50 first extension
 ** .25 second extension



3775 Taos - 4747E5201 front bed assy. "complete" (double) F.R. - .50
 3775 Taos - 4747E5481 rear bed assy. "complete" (double) F.R. - .50

Flat Rate	Frnt. & Rear Bed Assy. Code	Part #	Description	Flat Rate	Code	Part #	Description
.40	1	4747C4051	plastic bed slide 18"			4739-2918	screw cap washer m10
.40		4747C3691	plastic bed slide 40"		11	4716-074	screw
		4752-3061	rivet m25			1202B2528	washer
.25	2	4714A1901	tent bow/leg package	.20	12	4734A5141	bed leg bracket
.25	3	4060300339P	vinyl bed seal pkg. (8' pc.)		13	4720A2361	rod & pal nut
.15	4	4720G5631	bed bow bracket x2	.20	14	4747A3221	corner angle x4
.20	5	4734E5881	rear bed leg assy. m2			1203-8641	rivet m25
.20		4750-6171	front bed leg assy. x2	.50	15	4747A3241	front & rear bed frame
.15	6	4720C0771	bed leg clip m4	.60	16	4747A3231	side rail csr/rsf
		1203-8831	rivet m25	.60	17	4749A8151	side rail csf/rsr
.15	7	4720D4021	lashing hook m6	.20	18	4749A4891	bed stop
		1203-8741	rivet m25	.40	19	4747A1161	bed channel
.20	8	4737A4178	support plate	.20	20	4758-9481	pull-out handle strap & rivets
	9	1203C8721	rivet m25			4758-8001	rivet "black" m25
	10	4739E2908	screw cap m10				

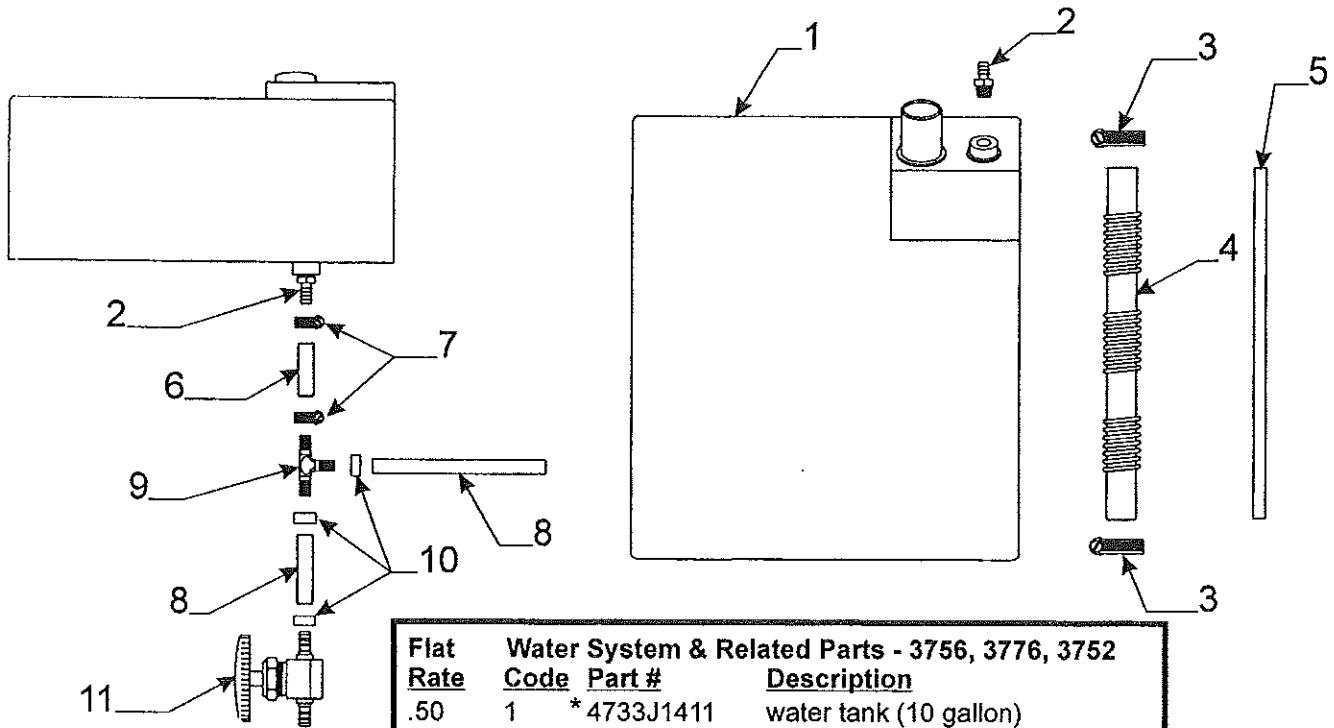
Mattress Assemblies & Covers Flat Rate .50 per cover

Flat Rate .10 Matt assy.

Model	Frnt. Matt. assy.	Frnt. Matt. Cover	Model	Rear Matt. assy.	Rear Matt. Cover
3775 Taos	4749N6361	4716N6361	3775 Taos	4749N6361	4716N6361
3776,52,53,92	4757C6421	4714C6421	3752,53,56,76	4757E5091	4716D5091
3756 Yuma	4757E5091	4716D5091	3792	4757C6421	4714C6421

Mattress Assembly Dimensions

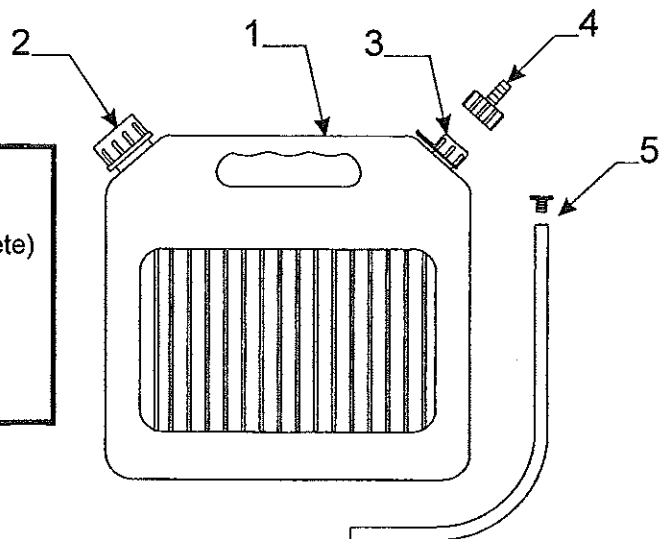
Model	Frnt. Matt. Assy.	Rear Matt. Assy.
3775 Taos	72" x 48" x 3 1/2"	72" x 48" x 3 1/2"
3776,52,53	77" x 70" x 3 1/2"	77" x 48" x 3 1/2"
3792	77" x 70" x 3 1/2"	77" x 70" x 3 1/2"
3756 Yuma	77" x 48" x 3 1/2"	77" x 48" x 3 1/2"

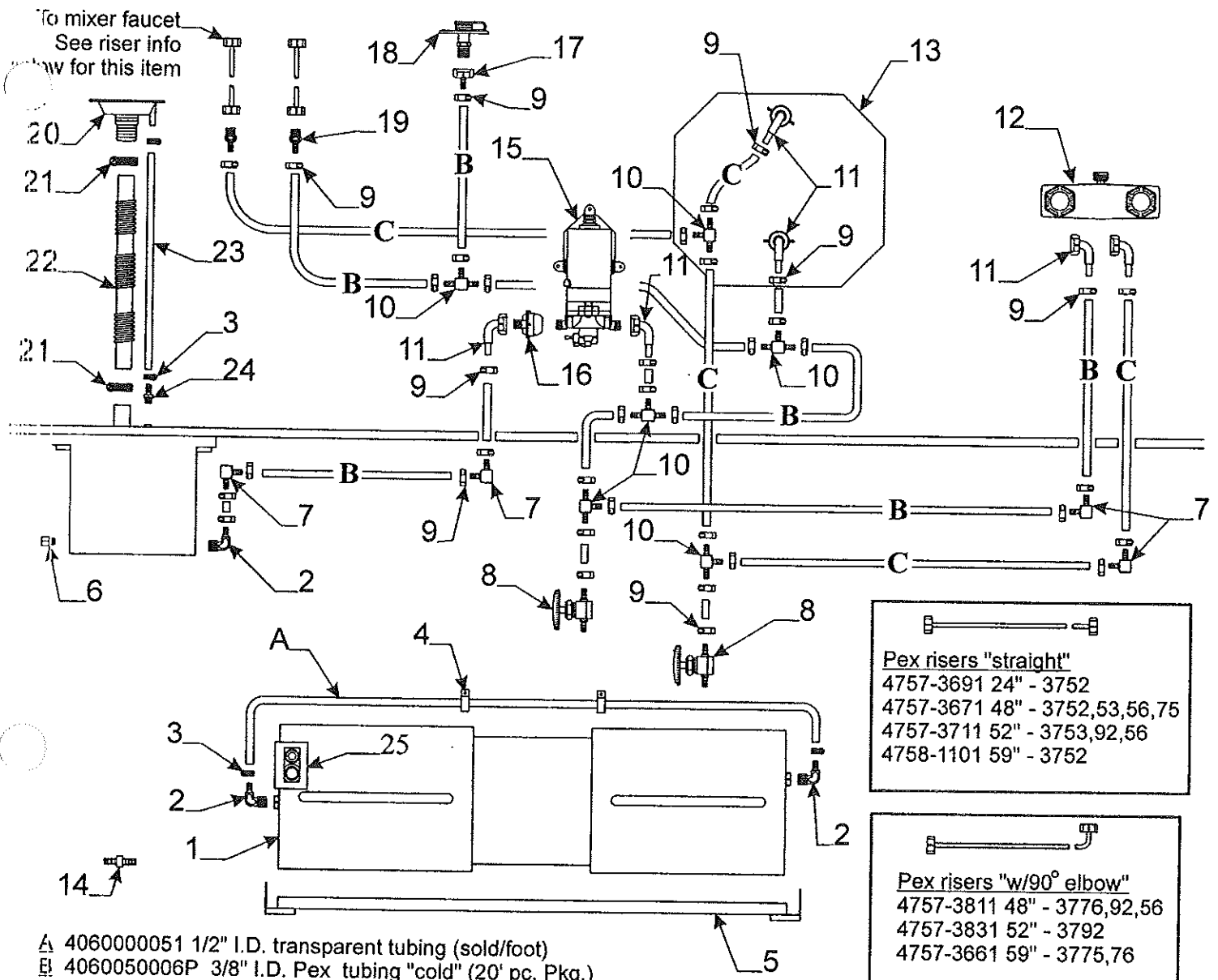


Water System & Related Parts - 3756, 3776, 3752				
Flat Rate	Code	Part #	Description	
.50	1	* 4733J1411	water tank (10 gallon)	
.15	2	4732C4561	hose adapter	
	3	4715-4501	1 1/4" hose clamp	
.35	4	4731H1081	water fill hose 24" pc.	
	5	4060050003F	1/2" h.p. hose (sold/foot)	
	6	4714-038	3/8" h.p. hose (sold/foot)	
	7	4731-3058	adjustable hose clamp	
	8	4060050006P	pex tubing "cold" (20' pc. pkg.)	
.25	9	4741C2381	barbed tee "brass" M10	
	10	4741A2751	stainless steel clamp M100	
.20	11	4741D2361	line drain "brass"	

* Note: 3752 Cottonwood w/factory installed hot water will use water tank 4757A0471

Portable Water Tank 3775 Taos			
Flat Rate	Code	Part #	Description
.10	1	4735-2131	water tank 5 gal. (complete)
		4735C0988	water tank decal
	2	4714-0231	large cap
	3	4714-0221	small cap & strap
	4	4714-0241	barb stem & collar
	5	4714A0671	suction stem





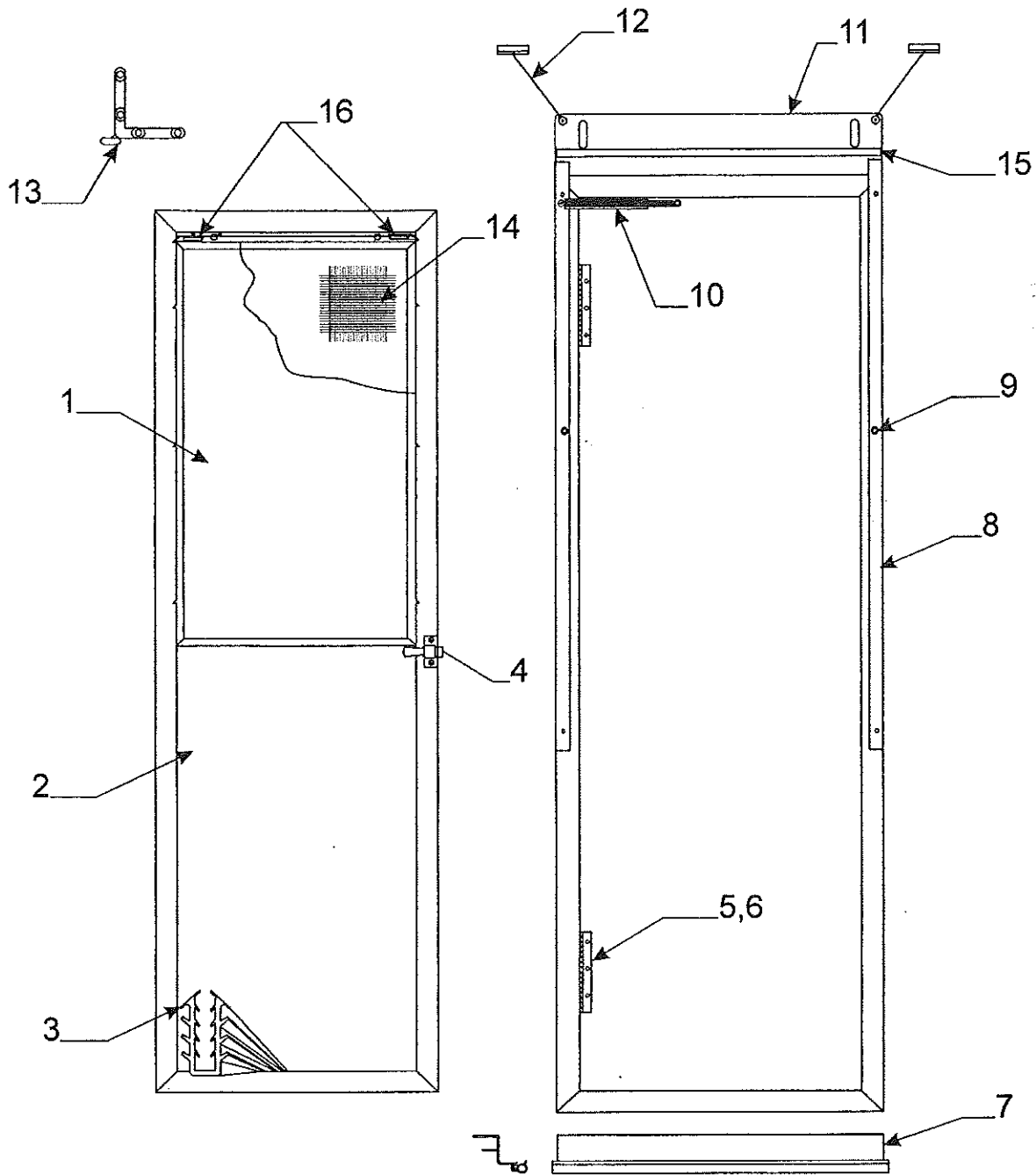
- A 4060000051 1/2" I.D. transparent tubing (sold/foot)
- B 4060050006P 3/8" I.D. Pex tubing "cold" (20' pc. Pkg.)
- C 4060050007P 3/8" I.D. Pex tubing "hot" (20' pc. Pkg.)

4714-038 3/8" I.D. High pressure hose (sold/foot)

Flat Rate	Code	Part #	Description	Flat Rate	Code	Part #	Description
1.50	1	4757A0471	water tank 3752,53,92	*	13	4750-3421	water heater (hot water units)
1.50		4757B0521	water tank 3753 non hot water		14	4755-4821	brass barbed union m10
.25	2	4741C2371	elbow "plastic"	.50	15	4741C5571	electric water pump
	3	4731-3058	adjustable hose clamp 3/8"	.25	16	4747A8311	water filter
	4	1201-8658	tube clamp	.20	17	4741A9561	female adapter "copper"
20	5	4758-5381	tank hanger x2 3752,53,92	.30	18	4732F1521	city fill
15	6	1218-7001	plug	.20	19	4757-3631	brass adapter 3/8" barb "Pex"
25	7	4741C2391	brass elbow "Pex" m2	.30	20	4731D1711	fill spout
20	8	4741D2361	brass line drain "Pex"	.35	21	4715-4501	adjustable hose clamp
25	9	4741A2751	stainless steel clamp m100	.20	22	4731H1081	water fill hose (3' pc.)
25	10	4741C2381	brass tee "Pex" m10	.15	23	4060050003F	1/2" h.p. hose (sold/ft.)
20	11	4741B9061	copper swivel elbow	.50	24	4732B4561	hose adapter
50	12	4741B2071	shower diverter		25	4742A8631	tank gasket

* Warranted By Vendor

** Used on 3752, 53 w/factory installed hot water



.30 Flat Rate Screen Door Complete

Note: parts marked w/* asterisk are not included w/screen door

4757D5191 Screen Door Assy. (All)							
Flat Rate	Code	Part #	Description	Flat Rate	Code	Part #	Description
.10	1	4716E3401	top sliding window pane	.05	9	4730A3548	stud w/screw x2
.40	2	4754B1541	stationary window pane	.20	10	4731A8201	spring package
.15	3	4060000086F	rubber seal (sold/foot)	.30	11	**4758A0571	top bracket (all except Taos)
			Note: around perimeter of window pane	.30		**4758A0561	top bracket (Taos only)
.15	4	*4742-9671	door latch assembly	.15	12	4734D5211	cabl assy. m6
.15	5	4720C3601	hinge x2	.50	13	4710-3791	corner brace hinge m2
	6	1203-8641	rivet m25		14	4716-1381	screened stationary pane
.25	7	*4747A5621	screen door support	.75		4716-1111	screening 36" x 18 1/2"
		*4060000399F	rubber seal (sold/foot)	.10	15	4060000023P	d-seal "white" (5' pkg.)
.20	8	4754-3811	vel-stick (pkg. of 2)	.50	16	4716-3811	window lock pkg. rt./lt.

** NOTE: TOP BRKT. INCLUDES (2) PLASTIC LATCHES & LATCH MOUNTING HARDWARE

Dinette Area Cushion/Backrest Assemblies & Covers - 2003 Destiny series Flat Rate .10 Assembly - .25 Cover

Model	Cushion Assembly	Cushion Cover	Model	Backrest Assembly	Backrest Cover
3775 Taos	4749N6581	4716N6581	3775 Taos	4749N6571	4716N6571
3776, 3753	4759B5221	4714B5221	3776, 3753	4759B5231	4714B5231
3752, 3756	4759A6531	4716A6531	3752, 3756	4767A5421	4714A5421
3792	4756E5571	4714E5571	3792	4758B6721	4716B6721

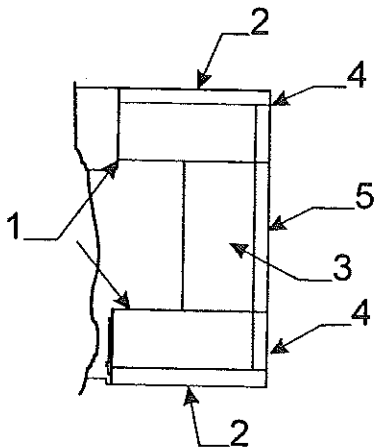
Plastic Cushion Button x2 - 4710-2681 m5

Cs Hutch Seat Cushion Assy. & Cover - 3753 Laramie 45" x 15" x 2"

Model	Cushion Assembly	Cushion Cover
3753 Laramie	4758-2211	4716-2211

Dinette Cushion/Backrest Dimensions

Model	Cushion Assembly	Backrest Assembly
3775 Taos	40 5/8" x 21" x 4"	40 5/8" x 15 1/2" x 4"
3776, 3753	43 1/4" x 19 3/8" x 4"	42 3/4" x 16 3/8" x 4"
3752, 3756	40 5/8" x 22" x 4"	40 5/8" x 18" x 4"
3792	39 1/2" x 18" x 4"	38 1/2" x 15" x 4"



Refer above for 3792, 3752 for dinette cushion/backrest

Flat Rate	Cushion & Backrest Assy.'s	Code	Part #	Description
.10	1	4753G6021		cushion assy. 3792 41" x 19 5/8" x 4"
.25		4716G6021		cushion cover 3792
.10		4759A6541		cushion assy. 3752 33 1/4" x 20 1/8"
.25		4716A6541		cushion cover 3752
.10	2	4753F6071		backrest assy. 3792 41 3/8" x 13 3/8" x 4"
.25		4716F6071		backrest cover 3792
.10		4759A6551		backrest assy. 3752 33" x 12 3/8"
.25		4716A6551		backrest cover 3752
.10	3	4759B5771		cushion assy. 3792 41 3/8" x 19" x 4"
.25		4716B5771		cushion cover 3792
.10		4759A6571		cushion assy. 3752 40 5/8" x 17"
.25		4714A6571		cushion cover 3752
.10	4	4756E5401		backrest assy. 3792 14" x 13 3/8" x 4"
.25		4716E5401		backrest cover 3792
.10		4759A6561		backrest assy. 3752 15" x 12 3/8"
.25		4716A6561		backrest cover 3752
.10	5	4759B5791		backrest assy. 3792 41 3/8" x 17 3/4" x 4"
.25		4716B5791		backrest cover 3792
.10		4759A6521		backrest assy. 3752 40 5/8" x 16 3/8"
.25		4716A6521		backrest cover 3752

Drape Package (Less Valance Pkg.)

Note: Package includes privacy curtains

Model	Drape Pkg.	# Of Panels	Flat Rate
3775 Taos	4724N8361	8	.30
3776, 3752	4759B5211	9	.30
3756 Yuma	4767A5821	8	.30
3753 Laramie	4767A5381	7	.30
3792 Tacoma	4759B5711	11	.30

Drape Tab C-Shape m60 - 4750-2891 Flat Rate - .05

Privacy Curtain Pkgs. (Set of 2 Panels)

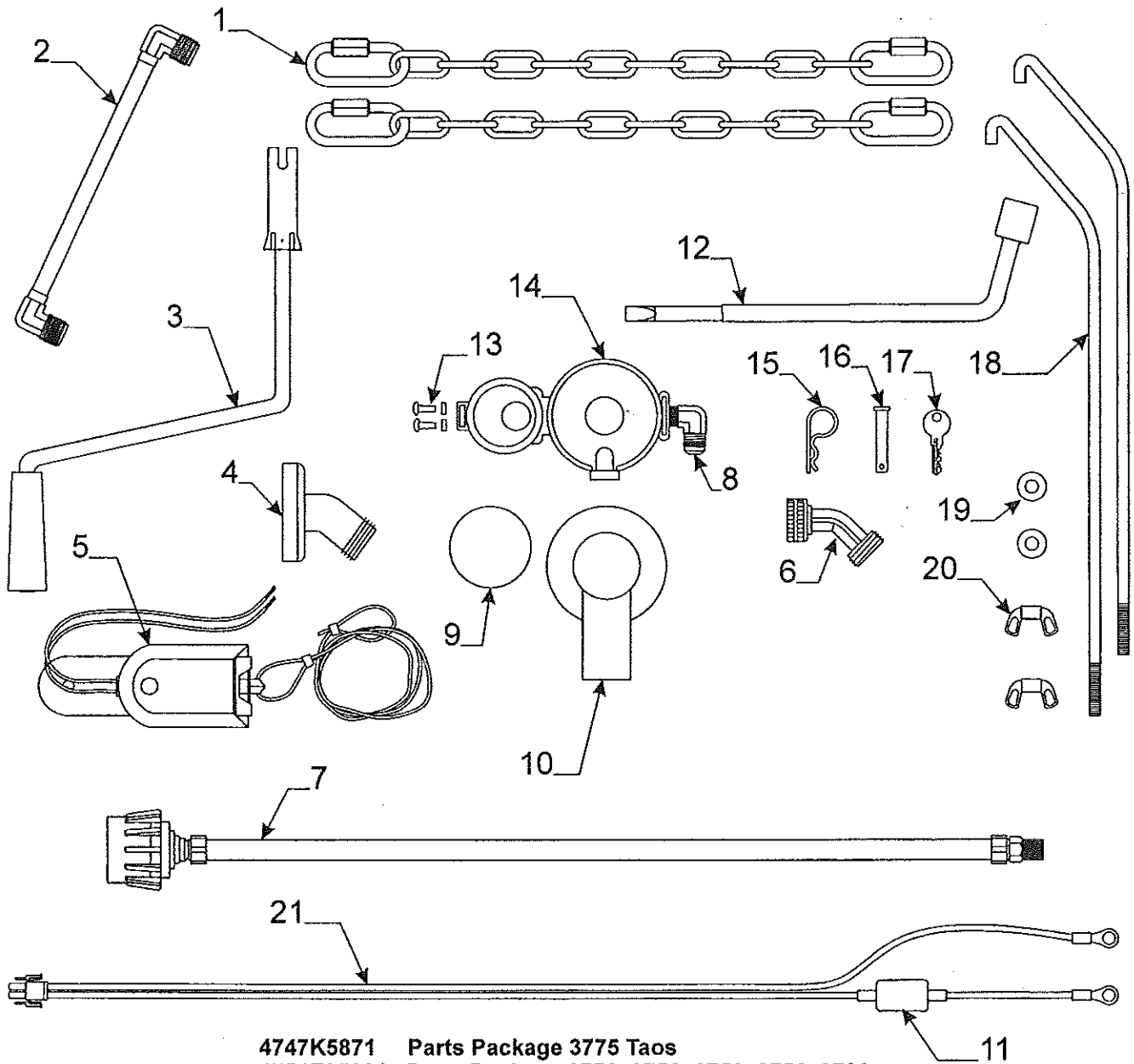
4723C7961 - 3756, 76, 52, 53, 92
4723N7881 - 3775

Single Drape Panel w/Safety Straps

.15	4716C8731	Single Drape Panel 48" x 48 1/2" - 3775 Taos
.15	4716C8741	Single Drape Panel 35" x 48 1/2" - 3775 Taos
.15	4716D8711	Single Drape Panel 43" x 45" - 3776, 92
.15	4716E8721	Single Drape Panel 35" x 45" - 3756, 76
.15	4716C8751	Single Drape Panel 53" x 45" - 3756, 52, 53, 92
.15	4716G9151	Single Drape Panel 22" x 45" - 3792
.15	4716F9151	Single Drape Panel 15" x 45" - 3792

Drape Tie Package (Qty. 1) - 4753F9791 (all) Flat Rate - .05

Valance Package - 4755D2751 - 3775 Taos
 Flat Rate - .25 4757B3351 - 3752, 3776
 4767A5391 - 3753 Laramie
 4755D2761 - 3756 Yuma
 4757B3011 - 3792

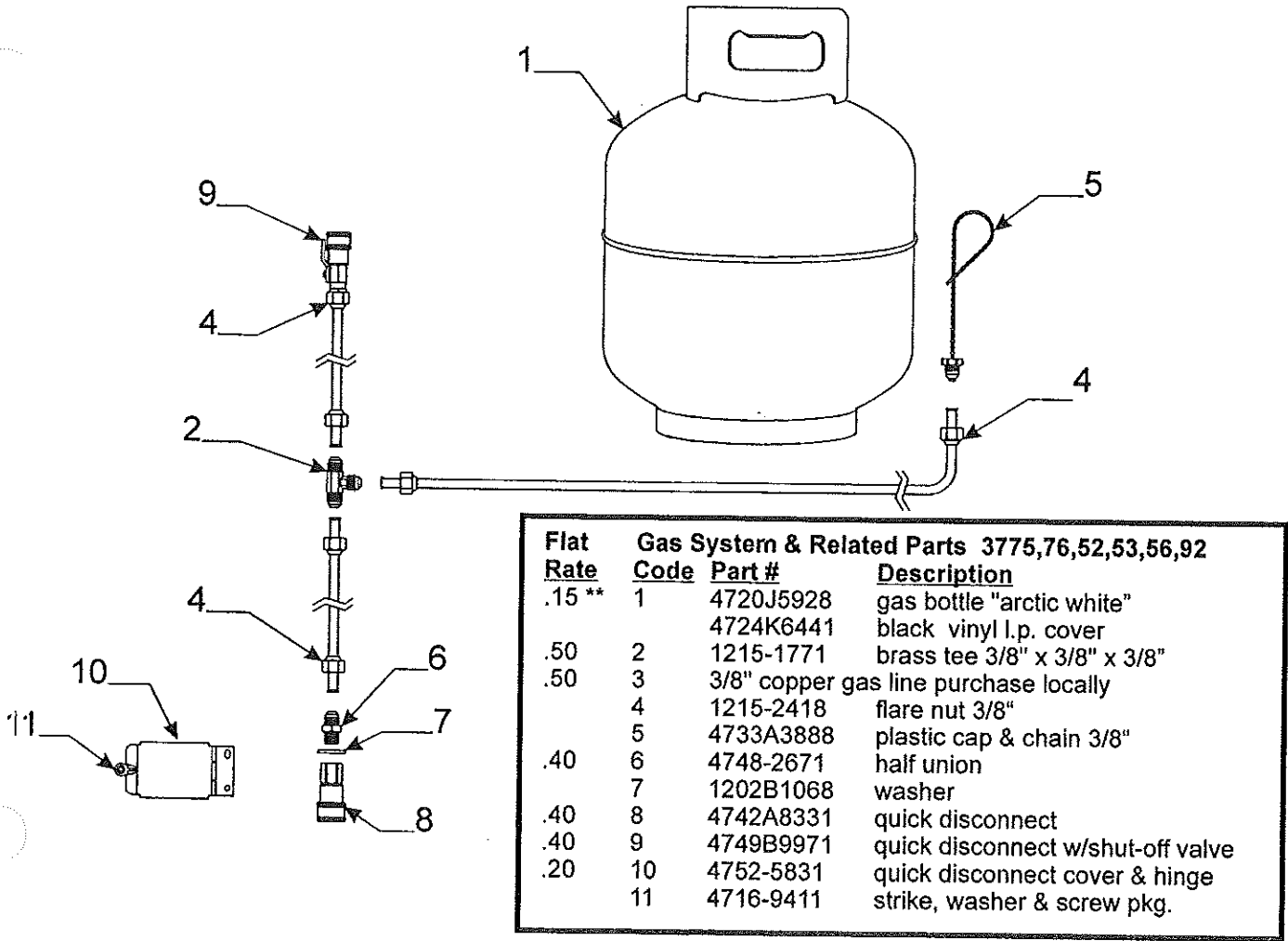


4747K5871 Parts Package 3775 Taos
 4754E85281 Parts Package 3776, 3752, 3753, 3756, 3792

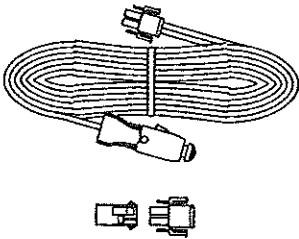
Note: Units 3752, 3753, 3792 - with factory hot water use 4758B6551 parts package

Flat Rate	Parts Package Code	Component Part #	Description	Code	Part #	Description
	1	4757-3901	29" tow chain w/quick links m2	12	4749A1861	lug nut wrench/stabilizer handle
		4757-3891	quick link (1 per pkg.)	13	1143B10081	mounting screw m2
	2	4746-5381	winterizing adapter		0322A3301	brass spacer m2
	3	4747G4141	crank handle	14	4755-0401	regulator "low pressure"
	4	4737-9138	drain adapter	15	4732A4791	safety pin m10
	5	4746-0401	breakaway switch	16	4771-2631	hitch pin m5
	6	4744-2651	gooseneck	17	4730B3211	key m10 # 8025 (gold plated)
.45	7	4733R3991	gas hose w/acme nut	18	4733G6281	gas bottle mounting brkt. pkg.
	8	4753-8981	3/8" x 3/8" elbow (non hot water)		Note: pkg. includes (2) brkt.'s, wing nuts & washers	
		4755-0421	1/2" x 3/8" elbow (hot water)	19	1202B0468	washer x2 m10
	9	4751-9571	round regulator cover	20	1201-6258	wing nut x2
	10	4734C3781	regulator cover	21	4749B5531	battery harness w/circuit breaker m2
	11	4751-4811	15 amp circuit breaker			

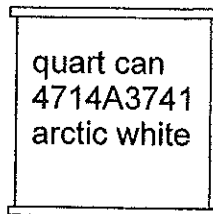
**** Serial Number Of Gas Bottle Must Be Supplied When Submitting Warranty**



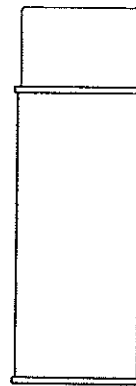
4733D6701 auto extension



4716A4701 12 volt cap & plug m2



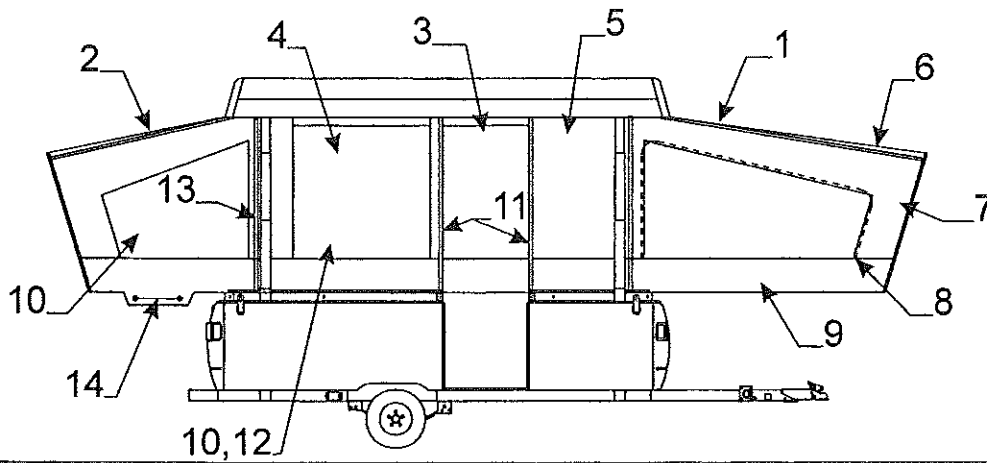
quart can
4714A3741
arctic white



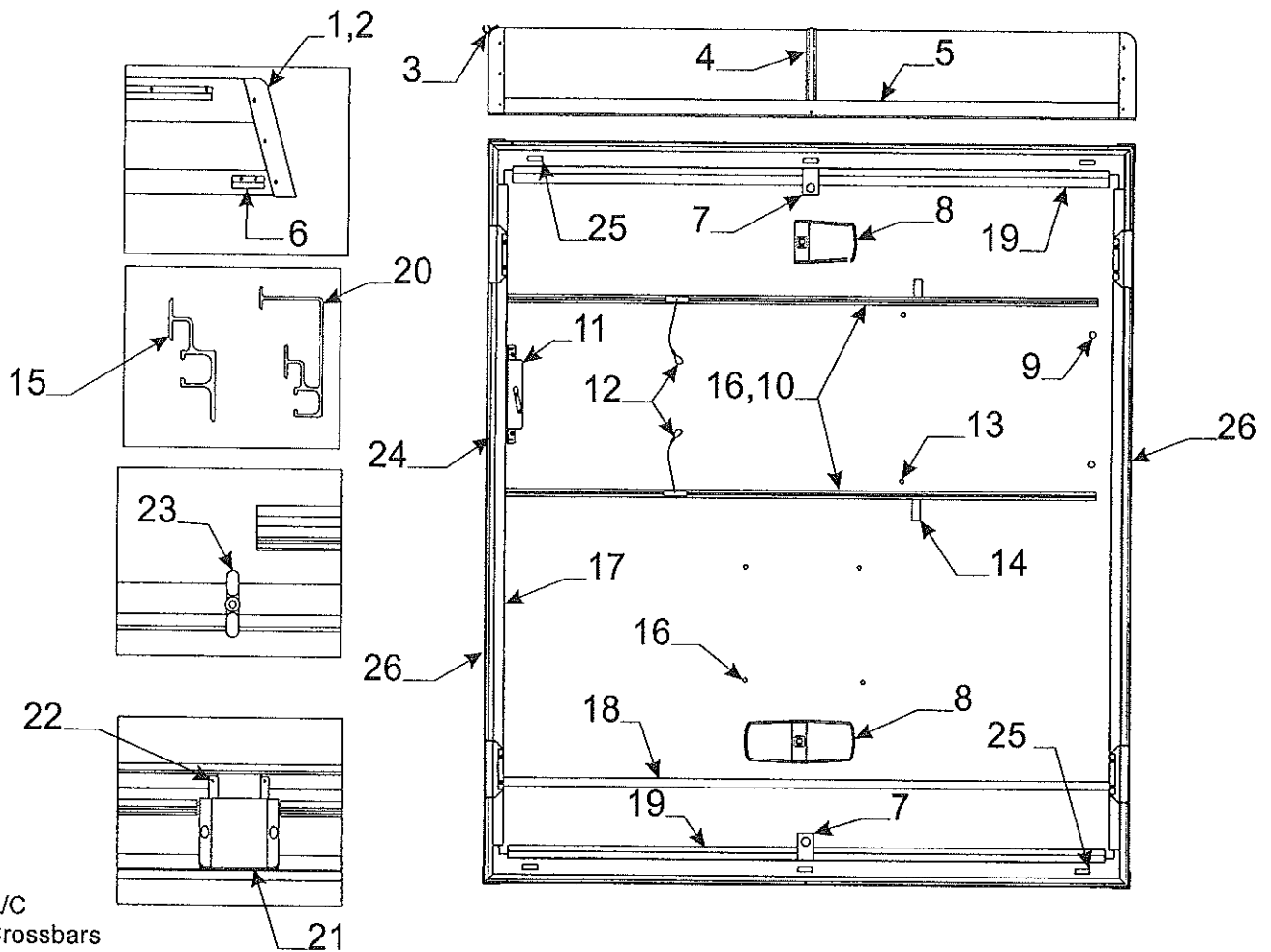
16 oz. spray
0008-2561 arctic white
0008-2571 black
0008-2631 russian maple



4745-3908
caulking
arctic white



Sunbrella Tenting & Components 3775, 76, 52, 53, 56, 92			
Flat Rate	Sunbrella Code	Part #	Description
.50	1	4768-5181	front boot 3776, 52, 53, 92
.50		4756C6081	front boot 3756
.50		4747G6531	front boot 3775
.50	2	4768-5171	rear boot 3776, 52, 53
.50		4756C6081	rear boot 3756
.50		4768-5181	rear boot 3792
.50		4747G6531	rear boot 3775
.20	3	4756C5861	large window 3756
.20		4759B5241	large window 3776, 52, 53
.20		4747H6501	large window 3775
.40		4759C5721	large window "w/tip-out" 3792
.20	4	4756C5871	small window 3756
.20		4759B5251	small window 3776, 3752
.20		4759A6731	small window 3753
.20		4758B6771	small window 3792
.20		4747H6521	small window 3775
.15	5	4756D5881	door seal 3756
.15		4759C5261	door seal 3776, 53
.15		4759A6741	door seal 3752
.15		4758B6861	door seal 3792
.15		4748G6631	door seal 3775
	6	8118501430P	top vinyl pkg. (85" x 3 yards)
	7	4716C0851	sunbrella patch package (12" x 14")
	8	6650500131F	zipper (sold/yard) used around window
		1225A4461	zipper pull m5
	9	8118001438P	bottom vinyl facing pkg. (3 yd. x 80")
	10	4714E1611	screen package (84" x 3 yards)
		4714A0361	screen package (84" x 13 yards)
	11	4350000009P	1" velcro hook (10' pc. Pkg.)
	12	4716-2401	clear window vinyl (41" x 2 yards)
	13	1225G3768	45 1/2" side zipper pin half 3776,52,53,56,92
		1225G3758	45 1/2" side zipper slider half 3776,52,53,56,92
		1225-3658	52" side zipper pin half 3775 Taos
		1225-3668	52" side zipper slider half 3775 Taos
.50	14	4060000045P	shock cord (150' package)
.50		4714C6021	shock cord & hooks m2 (two 14' lengths)
.15		4724A2011	shock cord termination (plastic hook) m10
	15	4060000024F	arrowhead seal (sold/foot)
.30	16	4735D6721	extension harness 3776,52,53,56,92
.30		4757-6101	extension harness 3775 Taos
.50	17	4743-1588	k-kote seam sealer
	18	4728-5641	tent retainer pkg.
.30	19	4710-1001	vinyl daubing "white" m2
.30		4710-1011	vinyl daubing "grey"
.30		4710-1021	vinyl daubing "green" m2



1.50 For A/C
 1.00 For Crossbars
 1.00 For Disposal

4716-8991 Roof Brace Kit (all except 3775)

Flat Rate	Code	Part #	Description	Flat Rate	Code	Part #	Description
		4716U9701	Top Assembly 3775 Taos F.R. - 4.50				
		4716U5101	Top Assembly 3756 Yuma F.R. - 3.00				
		4759B5121	Top Assembly 3776, 3752 F.R. - 3.00	.15	12	4734D5211	screen door cable m6 (all)
		4759-6851	Top Assembly 3753 Laramie F.R. - 3.00		13	4730A3548	stud w/screw x2
		4759B5601	Top Assembly 3792 Tacoma F.R. - 3.00	.15	14	4723A5061	strap x2
.50	1	4716U1981	top corner pkg. (pkg. of 4)	.30	15	4756A0631	tent track (frt./rr.) (all except 3775)
		4350000058F	saturated foam tape (sold/foot)	.30		4747B1271	tent track (frt./rr.) 3775
	2	4745-3968	screw "painted"			1103E1018	screw stainless steel
.50	3	4757-3561	canopy track (must cut to size)		16	1203-9258	plastic accordion rivet m25
1.00	4	4752-02791	center seam (must cut to size)	.20	17	4754A9831	side cove x2 (must cut to size)
		4060400096F	vinyl screw cover (sold/foot)			4747-2558	expansion rivet m25
		4741-3508	hex head screw		18	4350400004F	vinyl tape (sold/foot)
		4350000058F	saturated foam tape (sold/foot)		19	4756A0671	cove (front/rear) (all except 3775)
.50	5	4756-0681	frt./rr. seal extru.(all except 3775)	.30	20	4741G21481	cove (front/rear) 3775
		4741E21381	frt./rr. seal extrusion 3775			4747-2558	expansion rivet m25
.15	6	4750A9581	top strike m2 (all)	.20	21	4754B9851	tent & val. track (must cut to size)
		4744C2461	torx head screw "painted" m2			1103E1018	screw stainless steel
		1201B6958	nut (x2 per strike)			4747D5521	lift pocket cover x4 (all)
.15	7	4741F11381	tent support brkt.	.25	22	4741D3558	hole plug x2
		4741C9368	screw "painted" x2			4350000005F	velcro loop (sold/yard)
.15	8	4737K5911	single dome light (3775 only)	.25	23	4741B5431	lift pocket x4
.15		4744E4741	double light (all except 3775)	.15		1201B6378	lock nut (x2 per pocket)
		4758-1361	dome light lens		23	4743-2501	plastic screen dr. latch pkg.
		1103B1028	screw x4	.50	24	Note: pkg. includes (2) latches & mounting hardware	
	9	4737-3211	rubber button m8		24	4060100399P	rubber top seal (40' package)
.30	10	4733H47181	screen door track x2	.75	25	4724F2631	velcro hook m6
		4744B4611	expansion rivet m25		26	4747C1291	side seal extrusion 3775
.20	11	4749C5571	screen door bracket	.75		4757A3171	side seal extrusion 3776,52,53
		4747-2558	expansion rivet m25	.75		4754C9801	side seal extrusion 3792
		4749-2138	snap button m2	.75		4756A0701	side seal extrusion 3756
		1203-8631	rivet m25				

