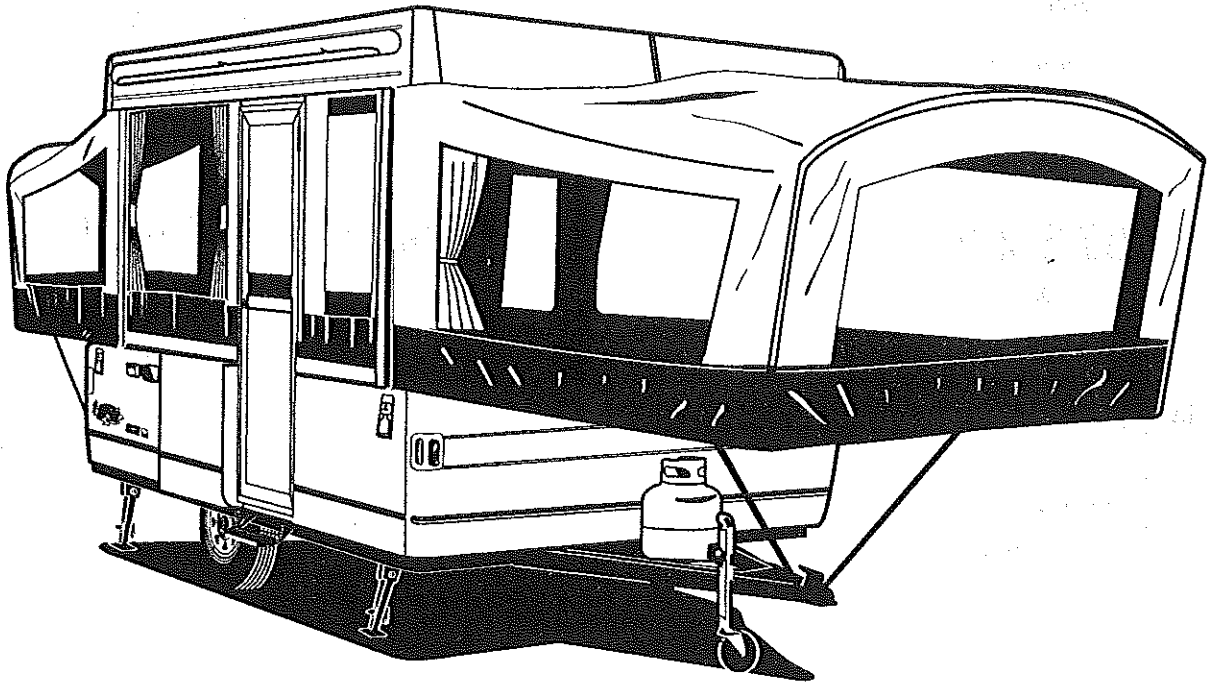


2002

Destiny Series

Repair Parts Catalog



3675 Taos 8'

3656 Yuma 8 1/2'

3676 Sedona 10'

3652 Cottonwood 10'

3653 Laramie 10'

3654 Fairlake 12'

3692 Tacoma 12'

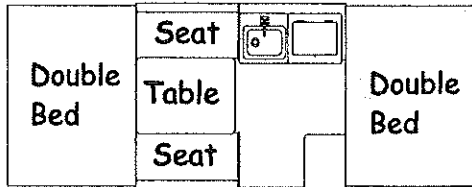


Coleman and the Coleman Parallelogram are registered trademarks of the Coleman Company, Inc., Used under license.

2002 DESTINY series

3675 TAOS 8'

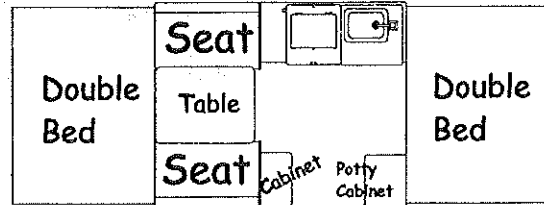
ROADSIDE



CURBSIDE

3656 YUMA 8 1/2'

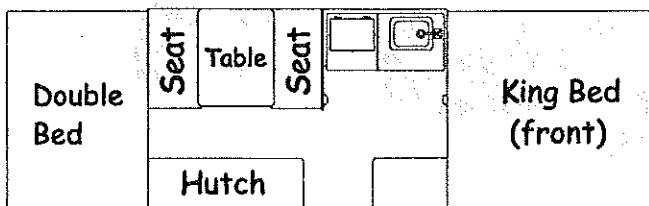
ROADSIDE



CURBSIDE

3676 SEDONA 10'

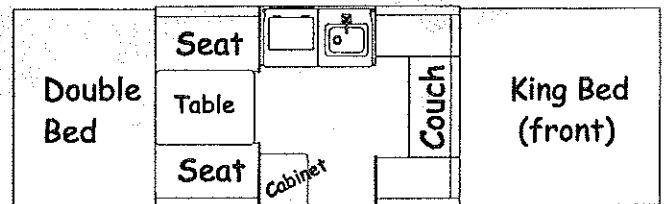
ROADSIDE



CURBSIDE

3652 COTTONWOOD 10'

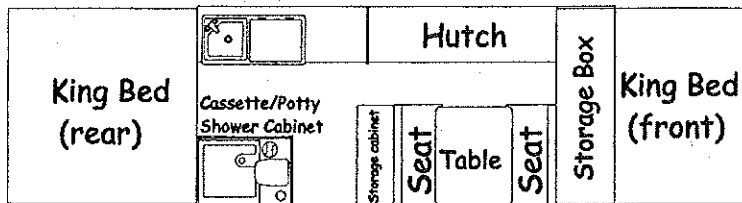
ROADSIDE



CURBSIDE

3654 FAIRLAKE 12'

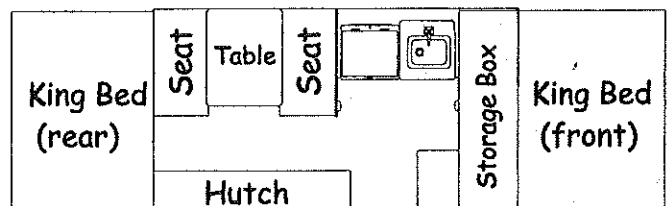
ROADSIDE



CURBSIDE

3653 LARAMIE 10'

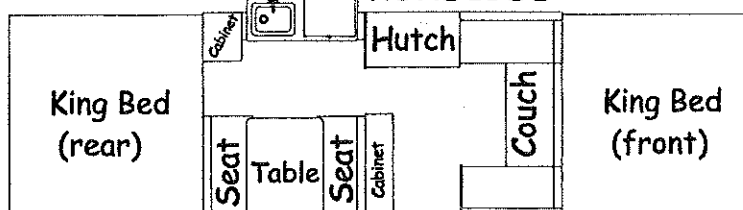
ROADSIDE



CURBSIDE

3692 TACOMA 12'

ROADSIDE



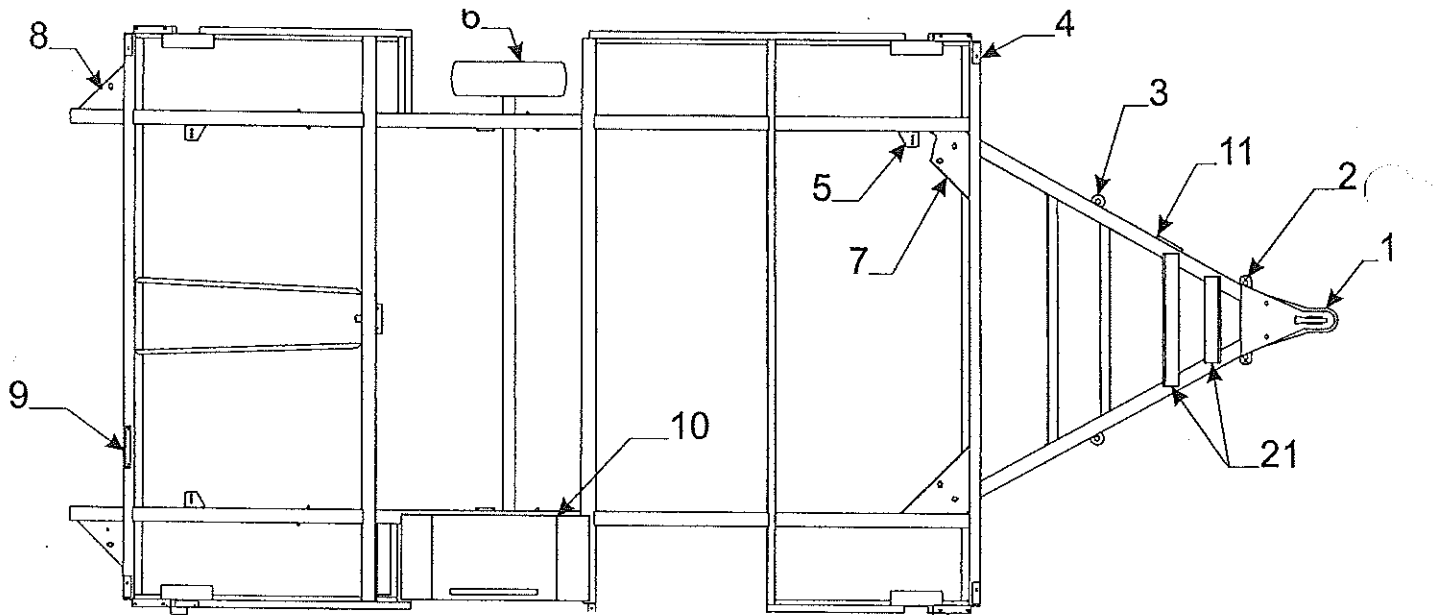
CURBSIDE

TABLE OF CONTENTS

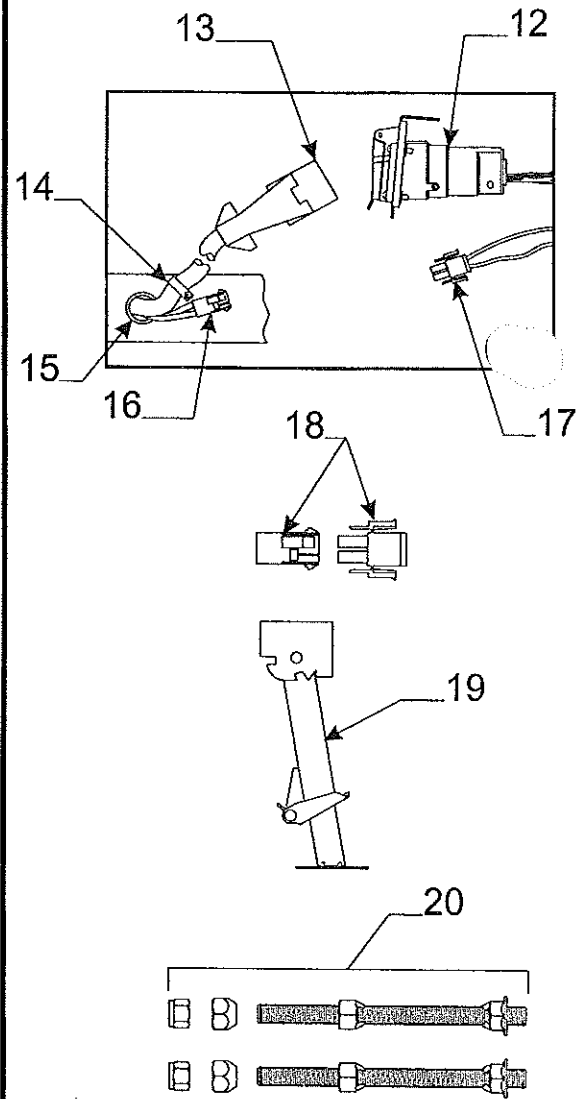
<u>DESCRIPTION</u>	<u>PAGE</u>
Access door key	34
Access door assembly & related parts	10
Auto extension	35
Axle assemblies & related parts	5
Backrest assemblies & covers	33
Bed assemblies.....	28, 29
Bed extensions & related parts	28
Body panel right rear (curbside)	8
Body panel left side (roadside)	11
Body panel front & rear (ABS plastic)	7
Body panel right front (curbside)	9
Body panel frt. ABS (storage box units 3653,54) ..	6
Bumper & related parts	7
Cabinet assembly (corner cabinets)	21
Cabinet assembly curbside rear 3652, 3656.....	24
Caulking	35
Converter & related parts	22
Cooler (built-in)	17,18
Cooler "32 QT. Coleman Extreme" 4757-1251	
Corner bulkhead assembly	2
Coupler assembly	2
Crank-up/crank-down components	4
Crank handle	34
Cushion assemblies & covers	33
Door bulkheads	8,9
Drain hose (used on sinks)	12
Drape packages & related parts	33
Drawer assembly components	22
Dressing room curtain (3654 Fairlake)	33
Electric brakes & related parts	5
Fire extinguisher & components	24
Floor covering	2
Frame assembly & related parts	2
Gas detector	26
Gas hose (gas bottle hook-up)	34
Gas bottle mounting brackets	34
Gas quick disconnect (outside stove)	35
Gas bottle cover (green vinyl)	35
Gas bottle & related parts	35
Grease cap (dust cap)	5
Hub assembly & related parts	5
Hutch assembly (roadside 3692)	21
Hutch assembly (curbside Laramie)	24
Hutch assembly (curbside 3676 Sedona)	25
Hutch assembly (doorway 3654,3692)	23
Hutch assembly (roadside 3654 Fairlake)	25
Lift assemblies & related parts	3
Lift trim & miter covers	8,9
Lower galley components (3675 Taos)	14
Lower galley components (3656 Yuma)	15
Lower galley components (3676 Sedona)	16
Lower galley components (3652 Cottonwood).....	17
Lower galley components (3653 Laramie)	18
Lower galley components (3654 Fairlake)	19
Lower galley components (3692 Tacoma)	20
Lug wrench	34
Mattress assemblies & covers	29
Paint (spray & quart can)	35
Paneling & trim	21
Parts package & components	34
Pigtail (car end)	2

<u>DESCRIPTION</u>	<u>PAGE</u>
Potty "cassette" (3654 Fairlake)	23
Power cord (converter)	22
Receptacle (exterior)	8, 9
Receptacle (interior)	22
Refrigerator vents	11
Regulator & fittings	34
Safety chains	34
Screen door & related parts	32
Seat bench component parts	26
Shower curtain (3654 Fairlake)	33
Shower curtain rod (3654 Fairlake)	37
Shower stall w/potty & related parts (3654)	23
Shower head & hose	23
Sink & related parts	12
Spare tire cover (green vinyl)	2
Spare tire mount package	2
Stabilizer assembly	2
Stabilizer handle/lug wrench combo	34
Step components (outside step)	26
Storage box components 3653, 3654	6
Stove components (upper galleys/lift-out stove)...	13
Table assemblies & related parts	12
Taillights (rear body panel)	7
Tent support assemblies & related parts	27
Tenting & related parts (sunbrella)	36
Thermostat (Hydro Flame)	26
Thrust bearing	4
Tie backs (curtains)	33
Tip-out tent bow and related parts (3692)	27
Tire & rim	2
Tire cover "green vinyl"	2
Tongue jack & related parts	4
Top assemblies & related parts	37
Trim tape kits	8,9,10
Upper galley assembly (3675 Taos)	14
Upper galley assembly (3656 Yuma)	15
Upper galley assembly (3676 Sedona)	16
Upper galley assembly (3652 Cottonwood)	17
Upper galley assembly (3653 Laramie)	18
Upper galley assembly (3654 Fairlake)	19
Upper galley assembly (3692 Tacoma)	20
Valance package	33
Water heater (3654 Fairlake)	31
Water pump & related parts	12
Water system & related parts	30, 31
Wheel well	2
Whiffletree & related parts	3
Zippers (tenting assemblies)	36

Axle/Brakes - Dexter	219/295-1900
Cassette Potty - Thetford	800/444-7210
Converter - Elixir/Centurion	800/848-0558
Furnace - Hydro Flame #7916-11	800/546-8759
Hand pump - Shurflo	800/762-8094
Mixer Faucet - Empire Brass	800/431-6440
Refrigerator - Dometic	800/216-5115
Stove - Atwood Greenbrier	800/646-8557
Stove - Vitco	877/825-8528
Tires - Duro	800/966-8473
Water heater - #5031E	423/775-2131
Yakima bike rack - to obtain repair parts .	800/925-4621



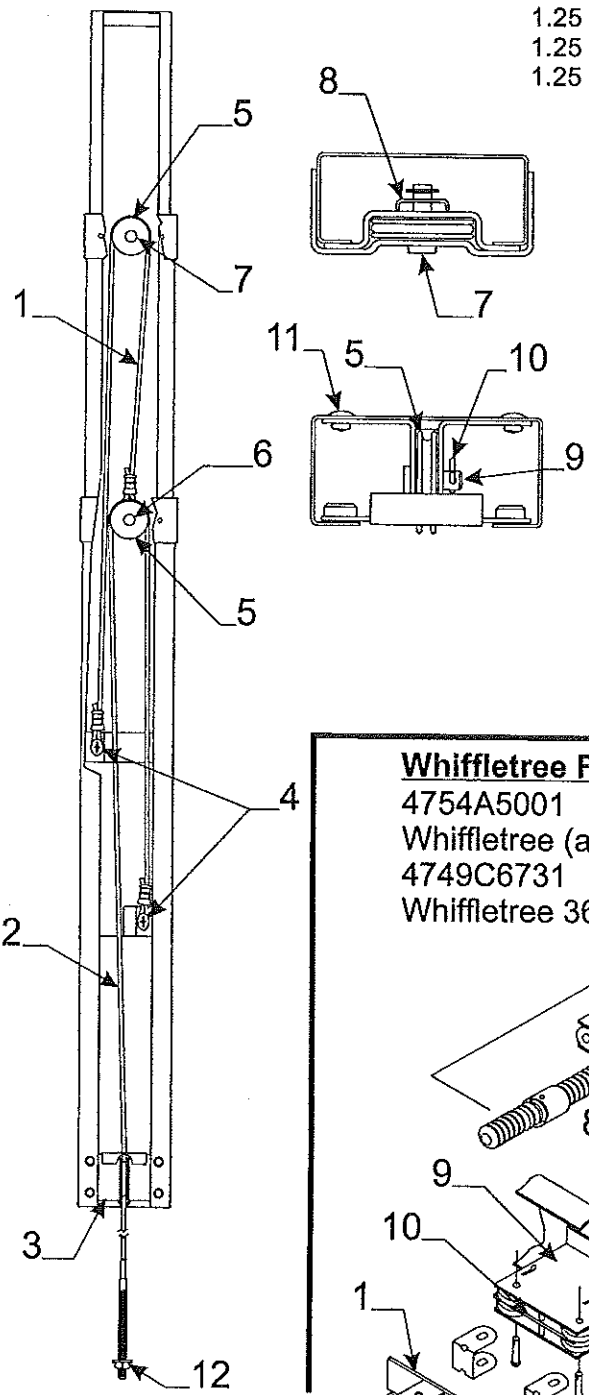
Flat Rate	Code	Part #	Description
1.50	1	4742-2001	coupler assembly
.25		4714A2211	coupler repair kit
.75	2	4748-6611	chain bar w/pins
.10	3	4747-8941	pin cover m2 (plastic)
2.00	4	4758A6681	corner bulkhead csf/rsr (all except Taos)
2.00		4758A6691	corner bulkhead rsf/csr (all except Taos)
2.00		4747A5511	corner bulkhead csr/rsf 3675
2.00		4747A5501	corner bulkhead rsr/csf 3675
		1203C8751	rivet m25 (rivet bulkhead to frame)
.75	5	4732E3671	adjustable pulley brkt. x4
.25		4715A5371	pulley & bearing m10
		4720C1578	short pin m4
		1204B1081	cotter pin m10
.25	6	4753D8168	tire & rim 13" lr "D" 3654
.25		4757-2468	tire & rim 13" lr "C" 3676,52,53,92
.25		4754B1558	tire & rim 12" lr "C" 3675,56
		4747D4841	green vinyl tire cover 3675,56
		4723E3161	green vinyl tire cover (all except 3675,56)
	7	4749A5861	stabilizer gusset (front) all
	8	4752-6001	stabilizer gusset (rear) all
1.00	9	4754D5101	spare tire support "rear" (all except Taos)
		4747-5101	spare tire mount "front" 3675
2.00	10	4754D0531	wheel well assy. x2 (all except Taos)
2.00		4747A4161	wheel well assembly x2 3675
.75	11	4720B3331	jack bracket (welded to tongue)
	12	4746A5591	pigtail - "car end" (all except Taos)
		4735F6741	pigtail - 6 prong "car end" 3675
	13	4753B3751	trailer harness - (all except Taos)
		4754D6061	trailer wire harness - 6 prong 3675
	14	1201-8738	3/8" clamp
		1203C8721	steel rivet m25
	15	4742-8108	1 1/4" snap bushing
	16	4716A5001	12 volt power harness
.15	17	4749B5531	12v wire harness m2 (battery connection)
	18	4716A4701	12 volt cap & plug m2
.25	19	4720D0731	stabilizer assembly
		Note: stabilizer used x3 on 3675 Only	
		4739-2298	nut (x2 per stabilizer)
.25	20	4747B5891	spare tire mount kit (all)
*	21	4716-7151	frt./rear battery angle pkg.



* 6610707228P floor covering pkg. (7 1/2' x 14')

* Prior Authorization Needed From Factory

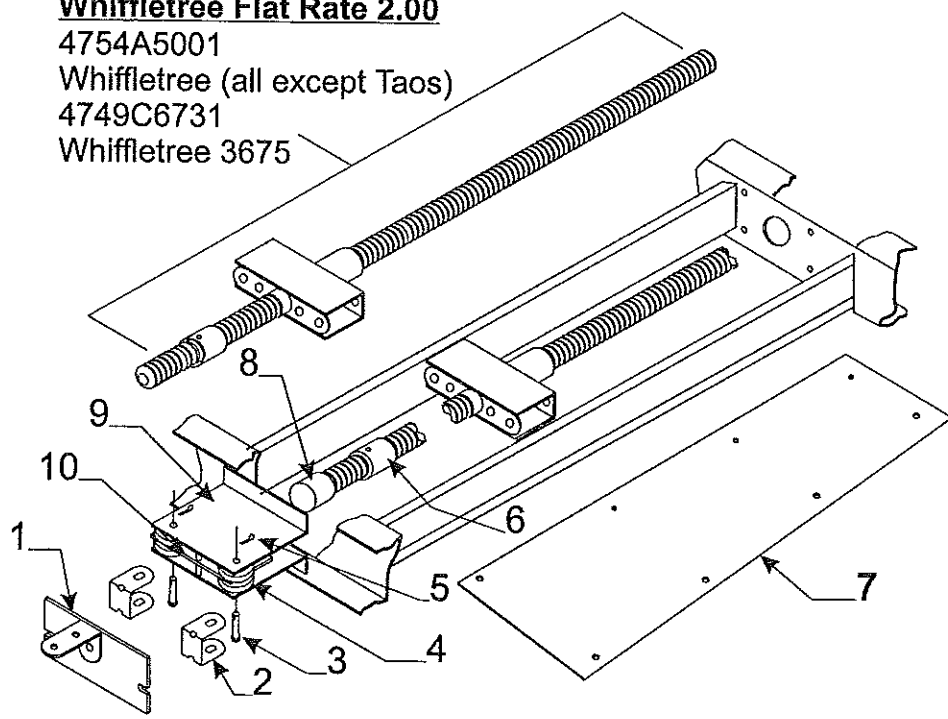
- 1.25 4716-0031 lift assembly roadside rear/curbside front (all except Taos)
- 1.25 4716-0041 lift assembly roadside front/curbside rear (all except Taos)
- 1.25 4716-0051 lift assembly roadside rear/curbside front (3675 Taos only)
- 1.25 4716-0061 lift assembly roadside front/curbside rear (3675 Taos only)



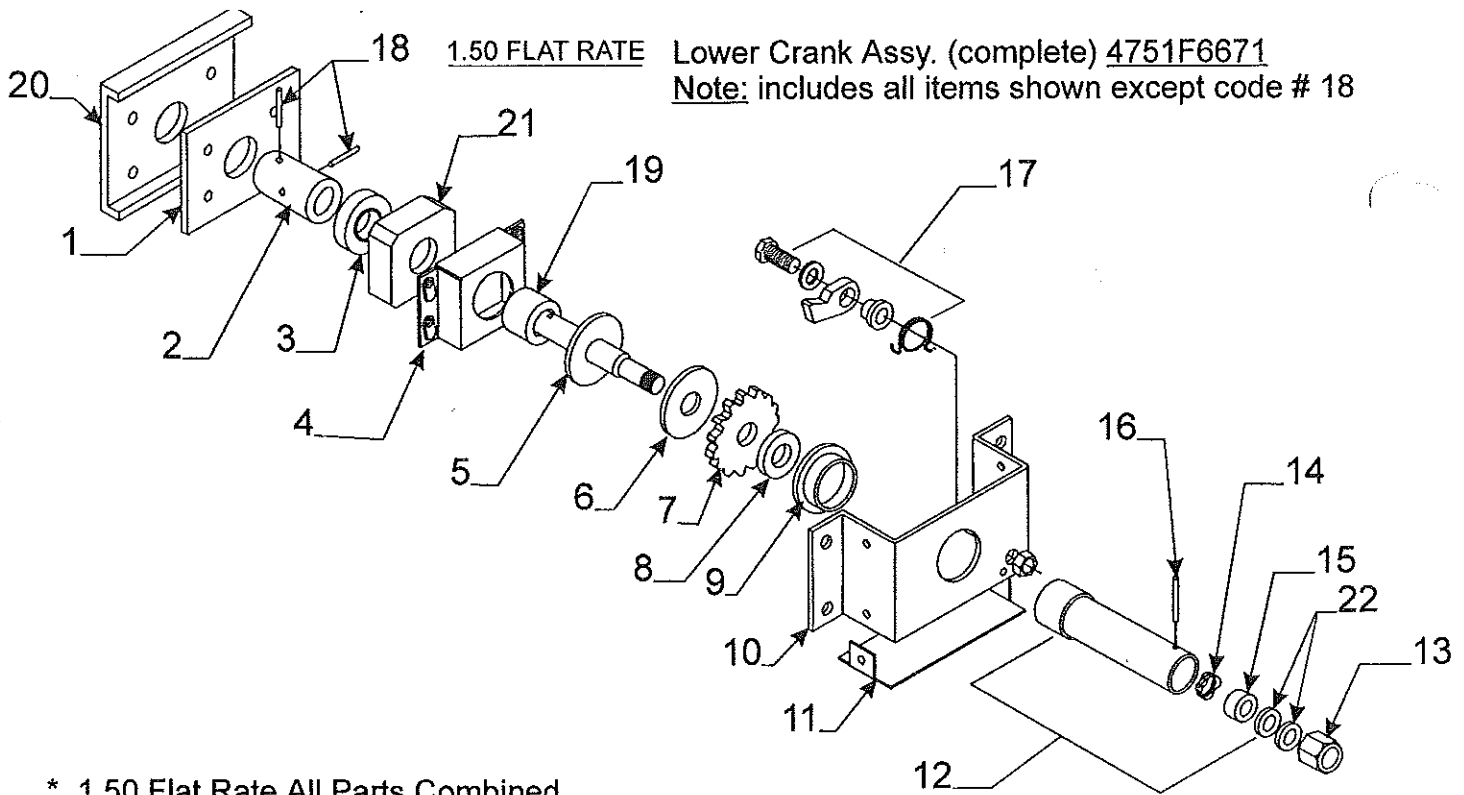
Flat Rate	Lift Assembly Code	Component Part #	Description
.75	1	4720D5271	cable assy. x1 m2 (all except Taos)
.75		4720C5271	cable assembly x2 m2 3675 Taos
		4720C1691	cable crimp m20
1.25	2	4754A6121	184" long cable & crimp
		4744-1318	copper cable crimp m10
1.25	3	4731C5801	butterfly bracket assy.
.05	4	4749-2081	screw m6
.50	5	4715A5371	steel pulley & bearing m10
.25	6	4747-8931	long pin x2
		4730B0981	retaining ring m12
.25	7	4749-4061	short pin m4
		4730B0981	retaining ring m12
.25	8	4749A2028	retaining clip
.45	9	4720C1578	lift pin m4
	10	1204B1081	cotter pin m10
	11	1203-8641	rivet m25
	12	1201B6378	1/4" lock nut
		1202E0408	washer

Whiffletree Flat Rate 2.00

- 4754A5001 Whiffletree (all except Taos)
- 4749C6731 Whiffletree 3675

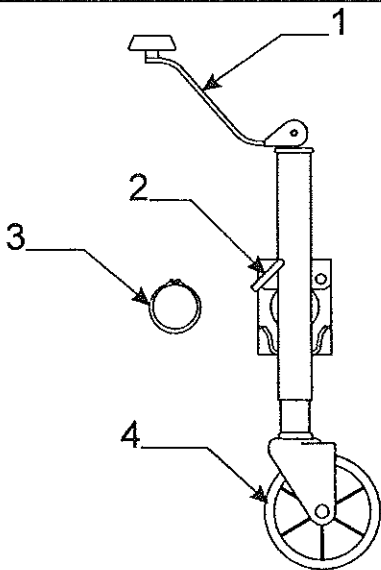


Flat Rate	Whiffletree & Related Parts Code	Part #	Description	Flat Rate	Code	Part #	Description
.15	1	4749A821	mud flap & brkt.	.25	7	4752B4921	whiffletree pan cover (all except Taos)
.50	2	4744B1741	cable retainer x2	.15		4757-1121	whiffletree pan cover 3675
.20	3	4720J1561	long pin m4			4755-4611	tek screw m25 (fasten pan in place)
.50	4	4715A5371	pulley & bearing m10	2.00	8	4730D1291	screw socket (welded)
.10	5	1204B1081	cotter pin m10	2.00	9	4720-1551	pulley plate
1.60	6	4710B4248	bushing	.50	10	4715D5661	pulley spacer
		4720D1481	roll pin m10				



* 1.50 Flat Rate All Parts Combined

Flat Rate	Code	Part #	Description	Flat Rate	Code	Part #	Description
	1	4756-8321	bearing housing plate	*	11	4751-3721	housing cover plate
1.50	2	4756-8301	coupler bushing			1203-8641	rivet m25
1.50	3	4720C2421	thrust bearing	.75	12	4751C5681	drive hub extension pkg.
*	4	4750A9251	bearing housing				Note: pkg. includes parts marked w/* asterisk
		4738A0898	hex bolt x4		13	*4751-3551	5/8" nut
*	5	4751-3701	drive shaft	.50	14	*4752-3921	handle spring x1 m2
*	6	4751-3561	pressure plate	.50	15	*4751-4671	nylon washer x1
*	7	4751-4831	ratchet wheel	.10	16	*4747A9451	spiral roll pin x1 m6
*	8	4751-3581	pressure washer	.60	17	4716-1221	ratchet pawl pkg.
*	9	4751A3591	shaft bushing	1.00	18	4744A1301	shear pin x1 m10
*	10	4751B3691	crank housing	1.50	19	4756A8311	spacer bushing
		4731-3878	hex head bolt x4		20	4750A9261	plate "painted"
		1201B6038	lock nut x4	1.50	21	4756-8441	bearing house square spacer
					22	4757-3938	washer x2



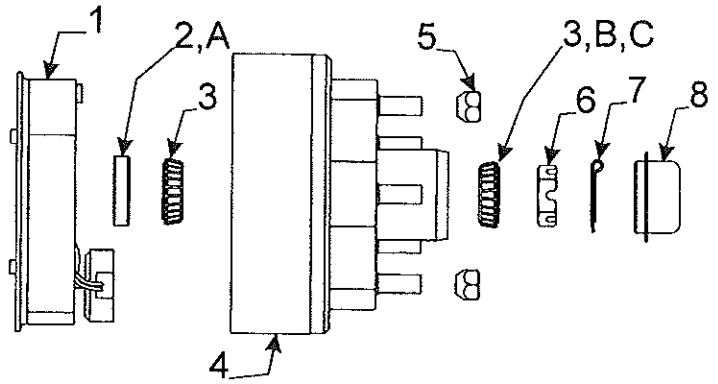
Flat Rate .10 Jack Removal			
Flat Rate	Code	Part #	Description
.15	1	4716-1951	jack handle kit
.15	2	4716-1981	locking plunger kit
.10	3	4720A3341	snap ring
.25	4	4716-1971	jack wheel nut & bolt

Flat Rate .50 Per Side

Electric Brake Pkg. 7" x 1 1/4" (4714H2011)

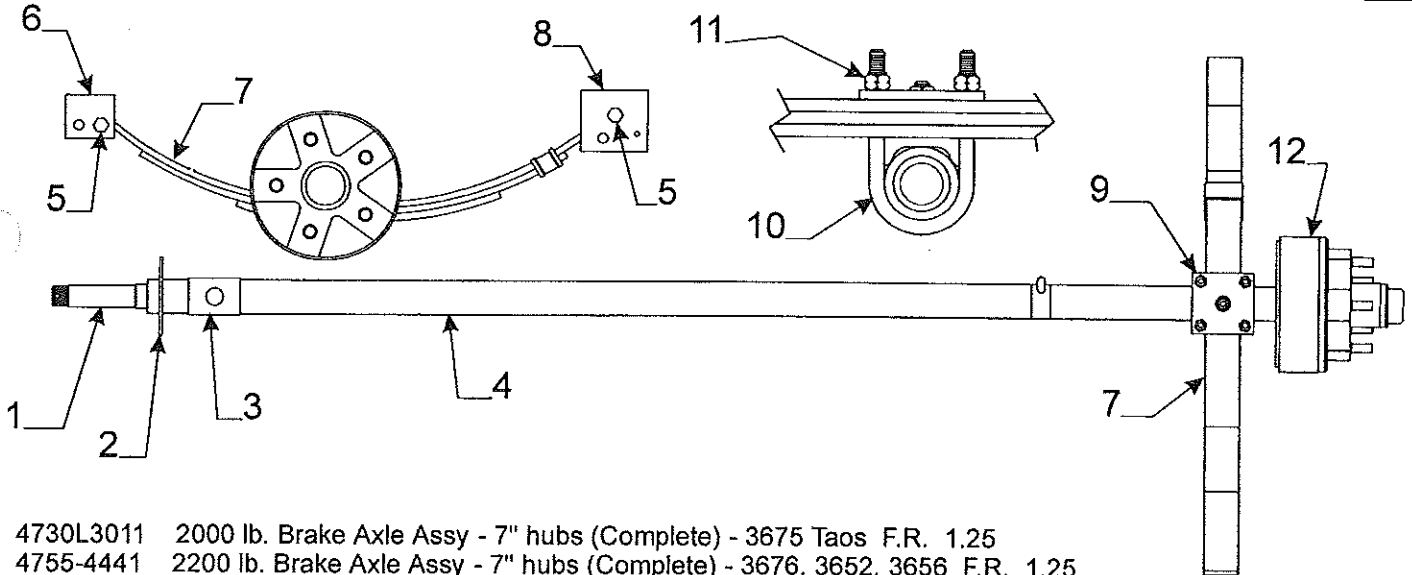
Electric Brake Pkg. 10" x 2 1/4" (4714J2011)

Flat Rate	Code	Part #	Description
.50	1	4733A3521	7" brake assembly (right hand)
.50		4733A3531	7" brake assembly (left hand)
.50		4716-6251	10" brake assembly (right hand)
.50		4716-6261	10" brake assembly (left hand)
.50	2	4714A2201	7" grease seal x1 m4
.50		4716-1441	10" grease seal x1 m4
.50	3	4716-1101	7" bearing, race & seal pkg.
.50		4716-1451	10" bearing, race & seal pkg.
.30	4	4716A1071	7" hub & drum x2
.30		4716-1431	10" hub & drum x2
.05	5	4747A9528	lug nuts x5
.10	6	4714-3068	slotted spindle nut x1
.10	7	1204-1268	cotter pin x1
.05	8	4714B0621	dust cap m4



Crossover Numbers To Purchase Locally

- A** 13194TM or 198138SP21 Grease Seal (7" hub)
171255VB Grease Seal (10" hub)
- B** L44649 Bearing (7" hub x2/ 10" hub x1 "outer")
L68149 Bearing (large inner x1 10" hub only)
- C** L44610 Race (7" hub x2/10" hub x1 "outer")
L68111 Race (large inner x1 10" hub)

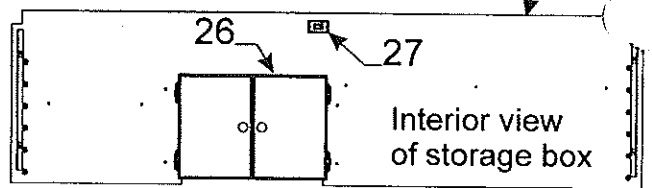
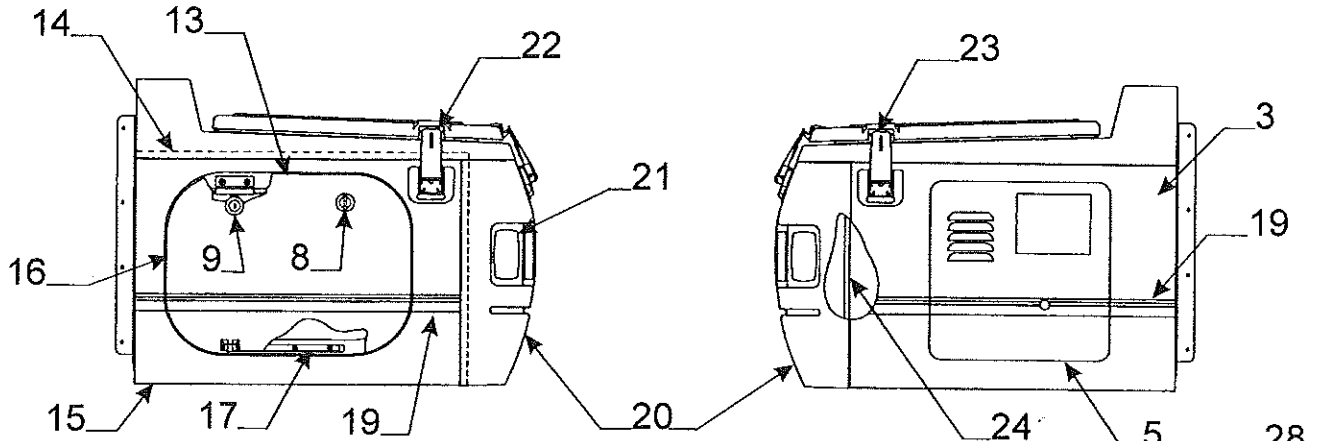
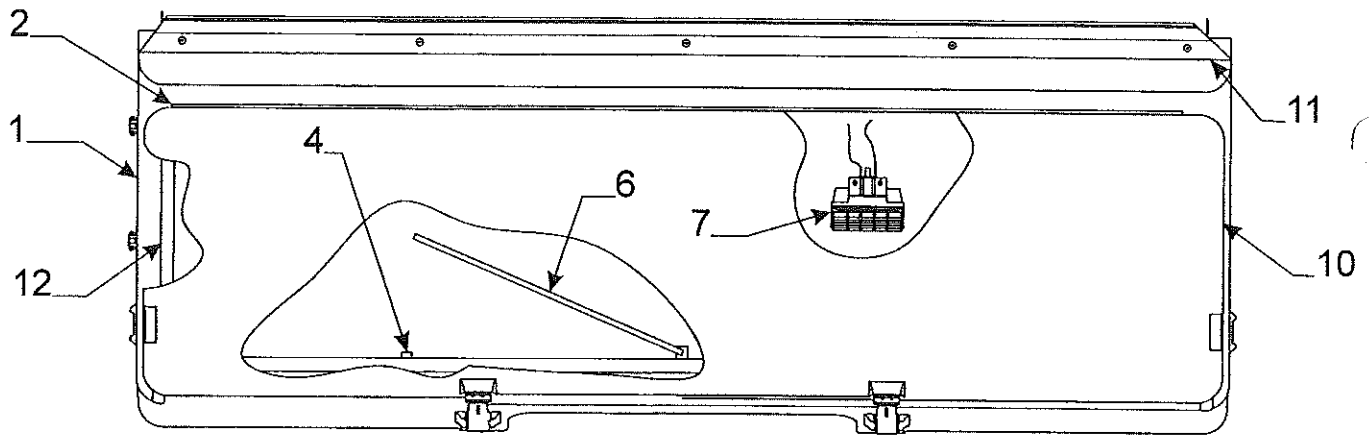


4730L3011	2000 lb. Brake Axle Assy - 7" hubs (Complete) - 3675 Taos F.R.	1.25
4755-4441	2200 lb. Brake Axle Assy - 7" hubs (Complete) - 3676, 3652, 3656 F.R.	1.25
*4730U3011	3500 lb. Brake Axle Assy. - 10" hubs (Complete) - 3653 F.R.	1.25
*4730V3011	3500 lb. Brake Axle Assy. - 10" hubs (Complete) - 3654, 3692 F.R.	1.25

*NOTE: 3500 lb. Axle Assy. limited parts stocked, refer to Dexter Axle for required part (s) phone - 219/295-1900

Flat Rate	Code	Part #	Description	Flat Rate	Code	Part #	Description
*	1	4741B8491	spindle	2.00	6	4741A3398	spring shackle (rear)
*	2	4741A8471	brake plate	.75	7	4735G2201	leaf spring (3 ply) 3676, 52, 56
*	3	4741-8461	spring pad channel m2	.75		4741B3381	leaf spring (2 ply) 3675
1.00	4	4716A1571	axle beam 3675 only	2.00	8	4741C3398	spring shackle (front)
1.00		4716F6251	axle beam 3676, 56, 52	.50	9	4741-8458	u-bolt plate
.25	5	4737A1318	shackle bolt	.25	10	4741A8438	u-bolt
		4741-9498	shackle bolt nut		11	4741-9358	u-bolt nut
					12	Note: refer above for hub & components	

* PRIOR AUTHORIZATION NEEDED FROM FACTORY

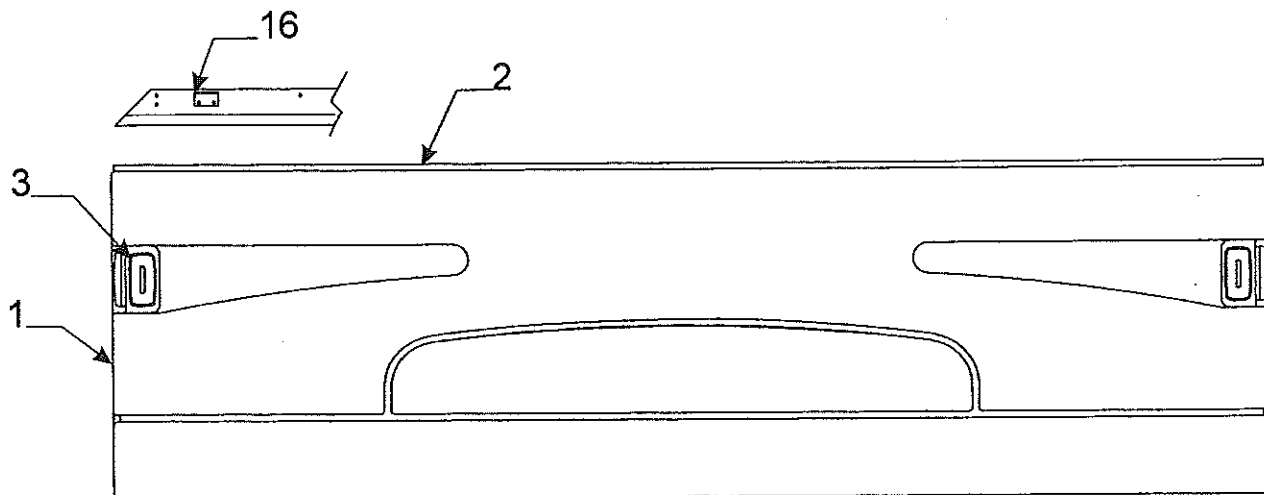


Storage box components - 3653 Laramie, 3654 Fairlake

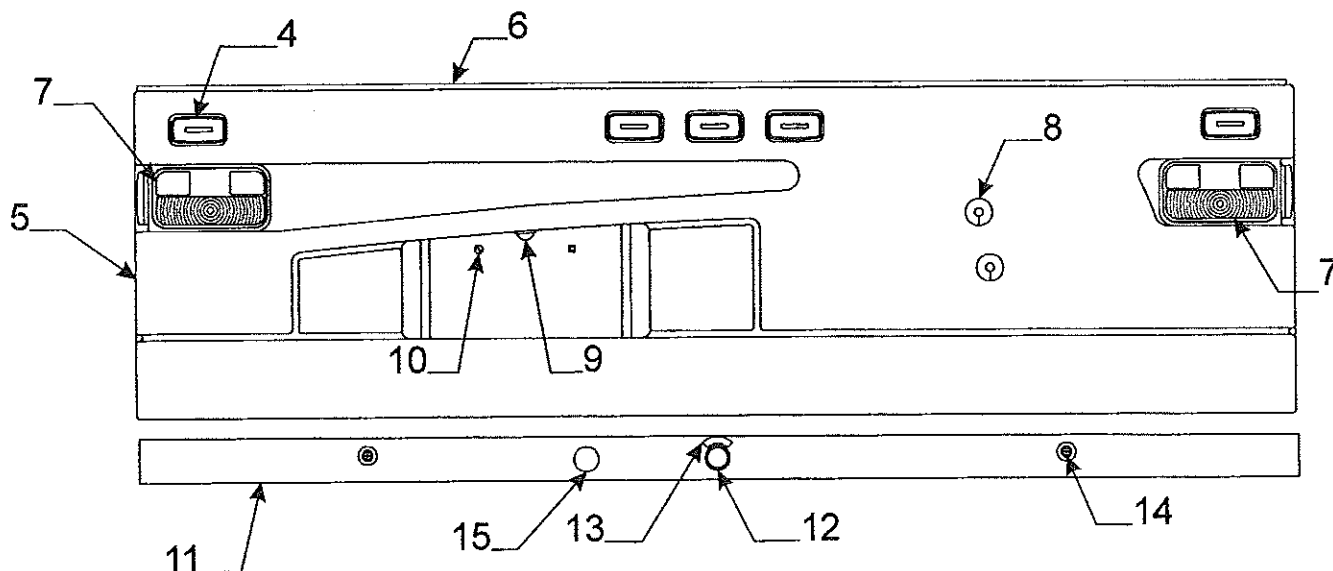
Flat Rate	Code	Part #	Description
1.50	1	4767-5151	lid/deck assy. (Complete)
.65	2	4758-0191	lid hinge
		1014T10068	machine screw x13
		1201B6958	keps nut x13
1.80	3	4754F1981	rs ABS side pnl.
.10	4	4720A0721	cooler clip m2
.25	5	4716-1331	water heater door
	6	4751B1181	prop rod
		4751-1208	push nut
		4751B1191	prop rod bracket
.25	7	4751-0921	cargo light
		4741D96568	expansion rivet m25
	8	4758-0181	chrome thumb turn assy.
	9	4751D8301	cam lock w/o-ring
.40	10	4060000588P	lid seal package (12' pc.)
.75	11	4758-0091	end rail
.40	12	4060000404P	deck seal pkg. (20' pc.)
.25	13	4757A2021	storage door strike x2
	14	4358800015P	vhb joint tape (16' pc. Pkg.)
1.80	15	4754F1971	cs ABS box side panel
.45	16	4757B1771	compartment door
		4060000615P	door seal (6' pc. pkg.)

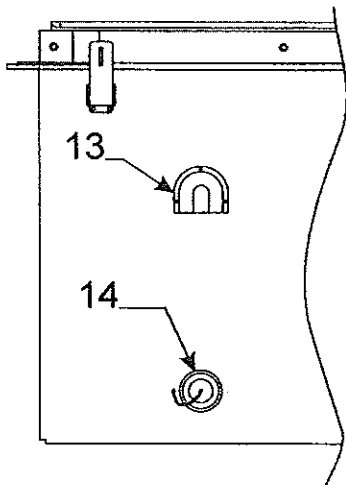
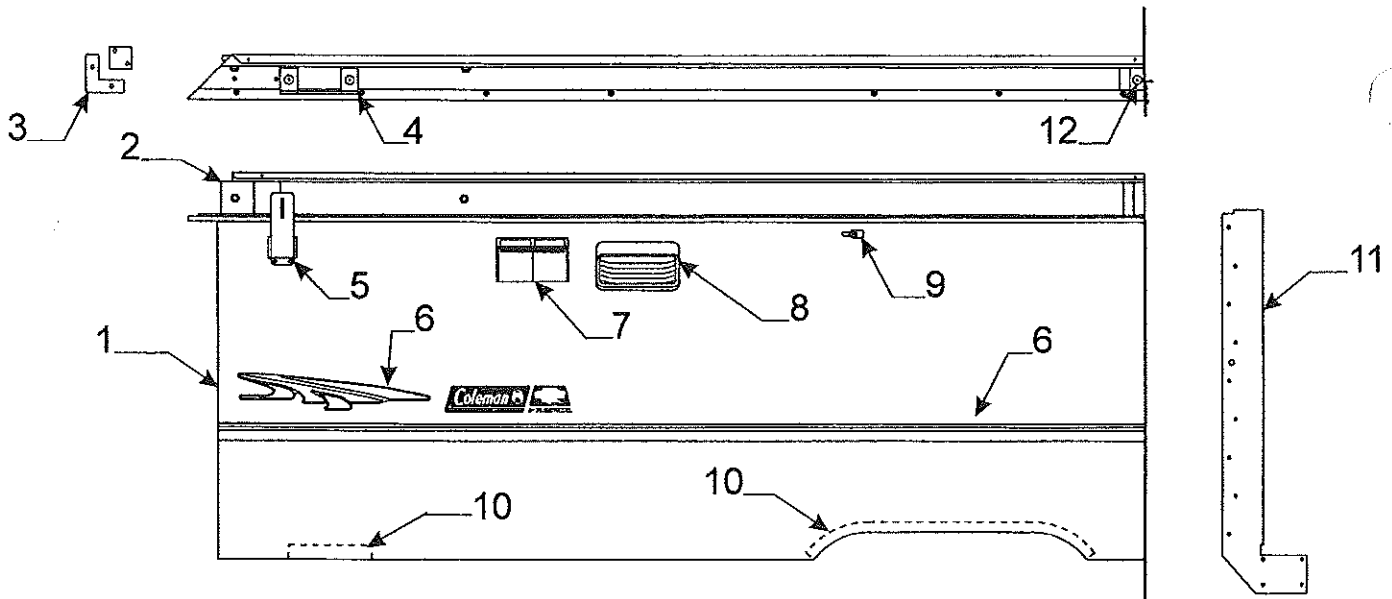
Flat Rate	Code	Part #	Description
.50	17	4757-1781	plastic door hinge
		4720D2361	hinge pin w/push nuts m2
	18	* 4716A1761	floor covering 4' x 7 1/2' pc.
	19	4716C4961	trim tape (5' pc.)
2.00	20	4757-9001	front ABS body panel (all)
.15	21	4714J08481	amber lens & base
.10		4716A4571	amber lens (lens only)
.15	22	4741C6041	latch w/out lock tab x3
		4741A9101	hex head tek screw m10
		4744B2468	screw x4 (side latches)
		1201B6958	keps nut x4 (side latches)
.15		4749B1441	strike m2 (used x4)
		4741D96568	expansion rivet m25
.15	23	4715F5051	latch w/lock tab (cs only)
*	24	4767-5121	front wood wall panel (all)
1.50	25	4754-2001	floor seam divider 86" pc.
.15	26	4758-0291	door panel x2
.15	27	4751-1161	rocker switch "lighted"
4.00	28	4758A0101	3/8" bulkhead 3654
4.00		4758-0281	3/8" bulkhead 3653

* Prior authorization from factory needed

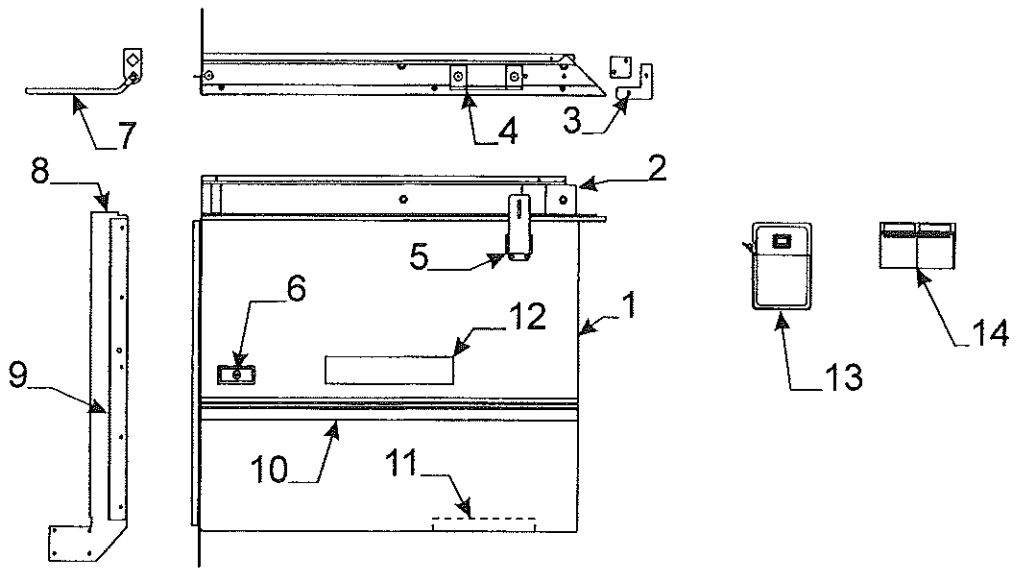


* 1.50 Flat Rate Front Panel/2.50 Rear Panel		Front & Rear ABS Body Panel Components		Flat Rate	Code	Part #	Description
	1	4754A8711	front body pnl. (all except Taos)	.20	7	4749B4321	taillight x2
				.10		4716A1061	taillight lens
Note: refer to opposite page for storage box body panel							
.65		4747F4531	front body pnl. 3675		8	4754-3871	foam gasket m2
.75	2	4754-8681	front end rail (all except Taos)	.15	9	4739B4311	tag light
		1203-8651	rivet x5 m25	.05	10	4732-1181	plastic grommet m4
Note: refer to opposite page for storage box body rail							
.75		4747B0801	front end rail 3675	.05		1121C1618	license plate screw x2
.15	3	4714J08481	amber marker light x4	.30	11	4751C0181	bumper 3675
.10		4716A4571	amber lens (lens only)	.30		4756D2371	bumper 3653,54,92
.25		4733H1311	socket & harness	.30		4754D0211	bumper 3676,52,56
		4747-2558	expansion rivet m25	.10	12	4733-2741	2" snap bushing
.15	4	4714J08581	red marker light x7	.10	13	4730H3188	"open" decal
.10		4716A4561	red lens (lens only)	.25	14	1032B24248	bolt x2
Note: refer to code # 3 for hardware							
*	5	4757-1961	rear body pnl. (all except Taos)			1202B0468	washer x6 m10
.85		4747H4641	rear body pnl. 3675			1202B1068	washer x2
		4741D96568	expansion rivet m25 "white"		15	1201B6068	nut x2
.75	6	4754A8691	rear end rail (all except Taos)	.25	16	4756-9761	2" hole plug
.75		4747C0791	rear end rail 3675			4749A4731	bed stop angle 3675
		4758-1141	rivet x5 m25				

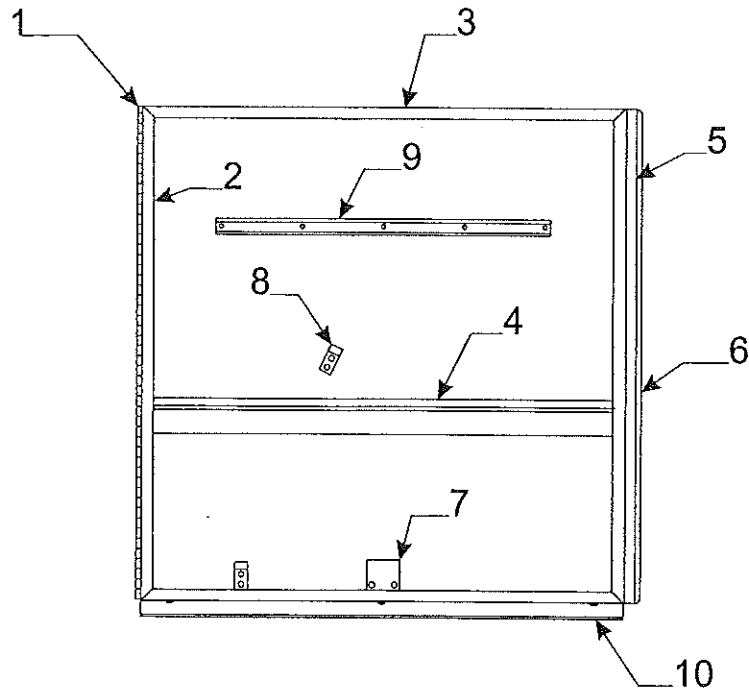




Flat Rate	Code	Part #	Description
	Curbside Right Rear Body Pnl. & Components		
1.00	1	4716B9751	csr body panel 3675 Taos
1.00		4758-1441	csr body panel 3656 Yuma
1.00		4757C3071	csr body panel 3676 Sedona, 3652 Cottonwood
1.00		4757A9631	csr body panel 3653 Laramie
1.00		4757A9991	csr body panel 3654 Fairlake
1.00		4754F9701	csr body panel 3692 Tacoma
1.00	2	4749D9761	csr body rail 3675 Taos
1.00		4754C8031	csr body rail 3656 Yuma
1.00		4757A3081	csr body rail 3676 Sedona, 3652 Cottonwood
1.00		4757A9661	csr body rail 3653 Laramie
1.00		4754C9511	csr body rail 3692 Tacoma
1.00		4757-9981	csr body rail 3654 Fairlake
.10		4723A8071	velcro patch 2" x 2" m4
.10		4350000005F	3/4" velcro hook (sold/yard)
.15	3	4716-7061	inner/outer miter cover pkg.m4 Note: pkg. includes rivets
.25	4	4734C4121	lift trim, rivets & gasket pkg. m4
		4733-3398	nylon flange bushing x2 per trim
.15	5	4741C6041	top latch w/out lock tab
		4749-4848	foam pad
.50	6	4716J8251	trim tape & hardware kit
.25	7	4746A3861	duplex cover & outlet
.35		4746-3871	duplex box
		1203-8678	rivet m25 (rivet box to pnl.)
.25	8	4752-9921	porch light
.10		4716-5511	porch light lens "amber"
.15	9	4738-3941	turn button & rivet
	10	4060050008P	1/2" x 1" foam tape pkg. (12' pc.)
1.25	11	4754A6201	door bulkhead csr 3656, 3676
1.25		4754B6201	door bulkhead csr 3652,53,54,92
1.25		4747A0101	door bulkhead csr 3675 Taos
		4734C1861	rivet m25 (arctic white)
	12	1203-8831	rivet m25
	13	4757-9261	vent cover 3654 Fairlake
	14	4714A2861	cap & strap 3654 Fairlake

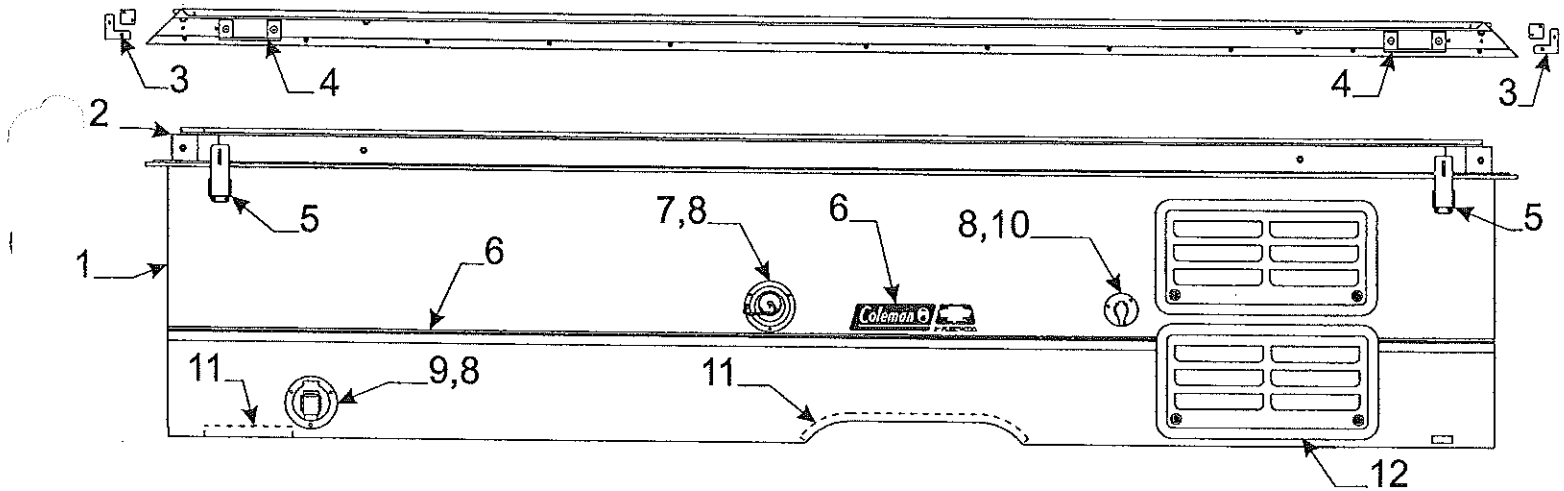


4716J8251 Curbside Trim Tape/Hardware Kit			
Flat Rate	Code	Part #	Description
	1	4716C0441	csf body panel 3675 Taos
.85		4754C8051	csf body panel 3656 Yuma
.85		4757C3111	csf body panel 3676, 3652
.85		4757A9621	csf body panel 3653 Laramie
.85		4756C9281	csf body panel 3692 Tacoma
1.00		4757A9971	csf body panel 3654 Fairlake
1.00	2	4747C0561	csf body rail 3675 Taos
1.00		4754C8021	csf body rail 3656 Yuma
1.00		4757-9651	csf body rail 3653 Laramie
1.00		4757A3121	csf body rail 3676, 3652
1.00		4757-9961	csf body rail 3654 Fairlake
1.00		4754C9501	csf body rail 3692 Tacoma
.10		4723A8071	velcro patch 2" x 2" m4
.10		4350000005F	3/4" velcro hook (sold/yd.)
.15	3	4716-7061	inner/outer miter cover pkg. m4
.25	4	4734C4121	lift trim, rivets & gasket pkg. m4
		4733-3398	nylon flange bushing x2 per trim
.15	5	4741C6041	top latch w/out lock tab
		4749-4848	foam pad
1.00	6	4730C3111	lock handle (with key)
1.00	7	4754-1691	latch, strike & lever (all except Taos)
1.00		4747-3501	latch, strike & lever 3675 Taos
1.25	8	4754A6191	door bulkhead csf 3656,76
1.25		4754B6191	door bulkhead csf 3652,53,54,92
1.25		4747A0091	door bulkhead csf 3675 Taos
.25	9	4754A2111	door bulkhead angle (all except Taos)
.25		4749B3881	door bulkhead angle 3675 Taos
		4350000022F	foam tape (sold/foot)
.50	10	4716J8251	trim tape & hardware kit
	11	4060050008P	1/2" x 1" foam tape pkg.(12' pc.)
.25	12	4749L3198	Taos name decal 3675
.25		4758-1468	Yuma name decal 3656
.25		4757B3348	Sedona name decal 3676
.25		4758-0758	Cottonwood name decal 3652
.25		4758-0608	Laramie name decal 3653
.25		4758-0798	Fairlake name decal 3654
.25		4753G0708	Tacoma name logo 3692
.25	13	4757A1881	porch light
.10		4716A1881	porch light lens
.05		4716-1891	12 volt plug m4
.25	14	4746A3861	duplex cover & outlet



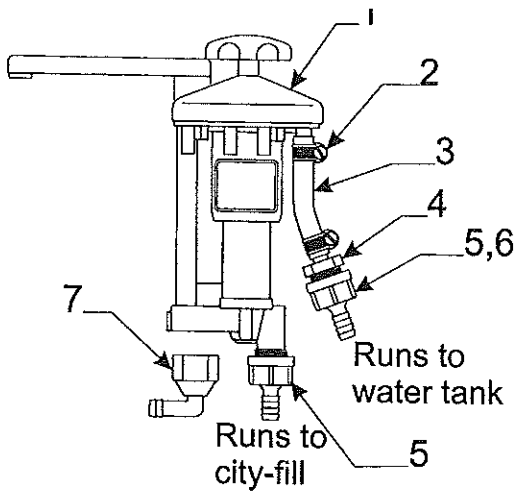
4754G5111 Access Door Assy. (All except Taos) F.R. .50
4749N6471 Access Door Assy. 3675 Taos F.R. .50
Note: Access Door less trim tape (must order separately)

Flat Rate	Code	Part #	Access Door Assembly Components Description
.25	1	4754C0281	door hinge (all except Taos)
.25		4747B3621	door hinge 3675 Taos
.35	2	4754-0251	door frame (all except Taos)
.35		4747A3591	door frame 3675 Taos
.25	3	4749B9821	door cap (all)
.25	4	4716C4961	trim tape pkg. (5' pc.)
.20	5	4060000023P	d-seal pkg. (5' pc.)
.25	6	4754D0261	door frame (all except Taos)
.25		4747A3601	door frame 3675
.10	7	4749A9941	door bracket (all)
.10	8	4720A0721	cooler clip m2
		4745-3968	screw x2
.25	9	4750A8481	stove support brkt.
		4716-081	screw x2
.25	10	4747C3611	bottom trim (all)



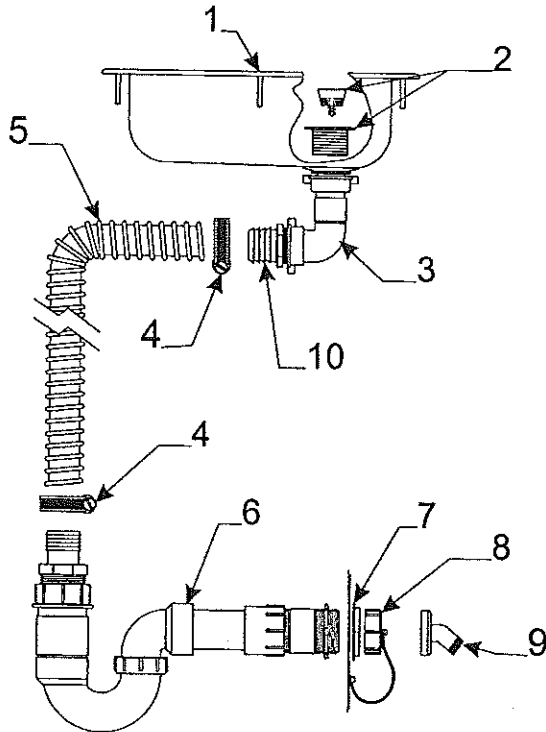
- * Add .50 For Heater Vent
- * Add 1.00 For Refrigerator
- * Add .50 For Hot Water Heater

4716J8261 Roadside Trim Tape/Hardware Kit			
Roadside Left Body Panel & Components			
Flat Rate	Code	Part #	Description
*1.00	1	4716B98071	left side body pnl. 3675 Taos
*1.00		4758-1451	left side body pnl. 3656 Yuma
*2.00		4757D3091	left side body pnl. 3676 Sedona
*2.00		4757B9411	left side body pnl. 3652 Cottonwood
*2.00		4757B9611	left side body pnl. 3653 Laramie
*2.00		4757A9941	left side body pnl. 3654 Fairlake
*2.00		4754L2141	left side body pnl. 3692 Tacoma
3.00	2	4747C0581	left side body rail 3675 Taos
3.00		4754C8041	left side body rail 3656 Yuma
3.00		4757A3101	left side body rail 3676 Sedona, 3652 Cottonwood
3.00		4757-9641	left side body rail 3653 Laramie
3.00		4757-9951	left side body rail 3654 Fairlake
3.00		4754D9521	left side body rail 3692 Tacoma
		4723A8071	velcro patch 2" x 2" m4
.10		4350000005F	3/4" velcro hook (sold/yd.)
		4757-0731	wire grommet & nut
.15	3	4716-7061	inner/outer miter cover pkg. m4
			Note: pkg. includes rivets
.25	4	4734C4121	lift trim, rivets & gasket pkg. m4
.15	5	4741C6041	top latch w/lock tab
		4749-4848	foam pad
.50	6	4716J8261	trim tape & hardware kit
.30	7	4731D1711	water tank spout
	8	4741-3508	hex head tek screw x3
.15	9	4733B23361	cable hatch
.30	10	4732F1521	city fill
	11	4060050008P	1/2" x 1" foam tape pkg. (12' pc.)
.50	12	4747D8341	refrigerator vent "plastic"
		4350000034P	putty tape 10' pc. pkg. (around perimeter of vent)
		4745-3968	painted screw arctic wht. x4 per vent
		4757-0691	rivet alum. M25
		4757-8301	reefer brkt. "long" x2 per vent
		4757A8071	reefer brkt. "small" x2 per vent



Flat Rate	Hand pump & related parts	Code	Part #	Description
.40	1	4734D0161	hand pump	
		4716-081	screw x4	
	2	4731-3058	adjustable hose clamp	
.35	3	4714-038	3/8" h.p. Hose (sold/foot)	
.20	4	4732-4561	male adapter	
.20	5	4741A9561	barbed adapter	
.20	6	4754-4418	round filter screen	
.20	7	4741B9061	street elbow	

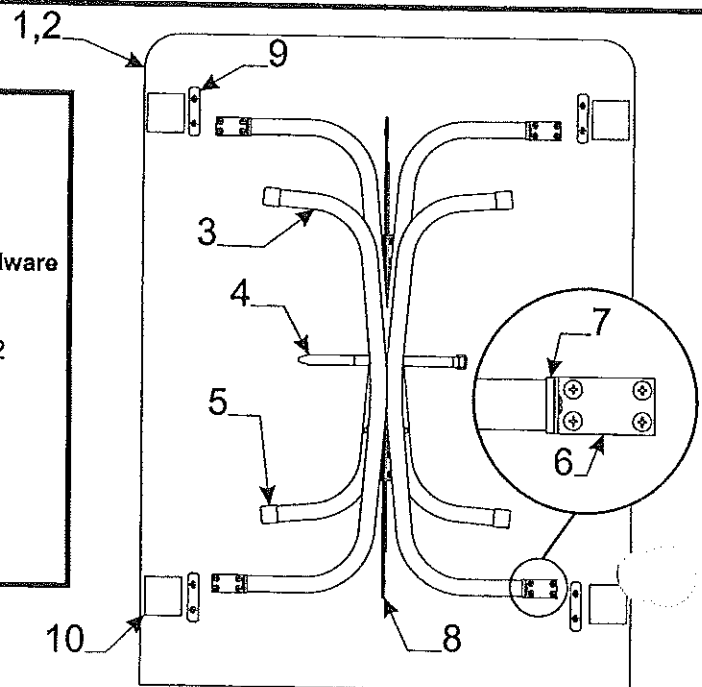
TO ORDER REPAIR PARTS
 FOR MODEL # 150-000-00 SHURFLO PUMP
 CALL: 1/800-854-3218 GARDEN GROVE, CA.
 CALL: 1/800-762-8094 ELKHART, IN.



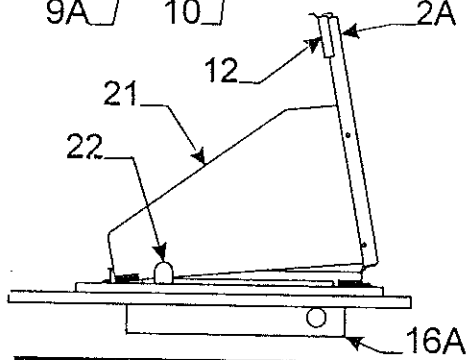
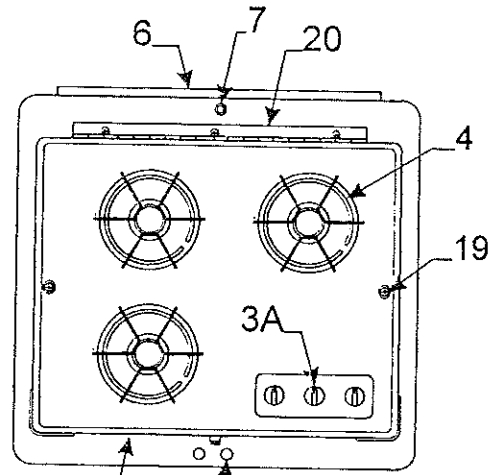
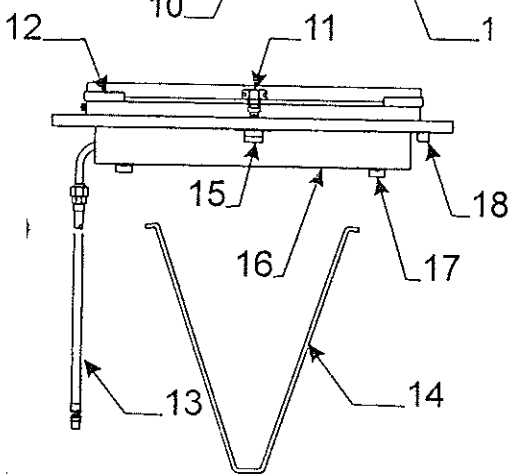
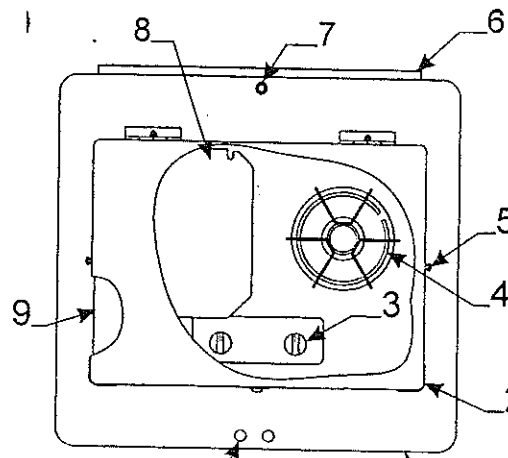
* Used on units 3652, 3653, 3692 with factory installed hot water

Flat Rate	Sink & Component parts	Code	Part #	Description
.30	1	4710F0301	sink "stainless"	
.80		* 4745B2801	sink "porcelain" (standard on 3654)	
.05	2	4714B0661	crumb cup "only"	
.25		4730E3151	crumb cup & basket	
.40	3	4757-0861	elbow pkg.	
	Note: pkg. includes elbow, washer, nut and adapter			
		4757-9131	1 1/4" beveled washer x2	
	4	4715-4501	1 1/4" hose clamp	
.80	5	4060012503P	1 1/4" drain hose pkg. (10' pc.)	
	Note: must cut hose to length			
.20	6	4758B5431	drain trap assy 3675,53,92	
.20		4759A5411	drain trap assy. 3652,76	
.20		4767A5811	drain trap assy. 3656	
.20		4759A6151	drain trap assy. 3654	
	7	4757-0851	nut	
.10	8	4714A2861	cap & strap	
	9	4737-9138	drain adapter	
.40	10	4757A0871	adaptor 1 1/4" barb - 1 1/2"	

Flat Rate	Dinette Table Assembly Components		
Code	Part #	Description	
.50	1	4756B8461	table top (30" x 39") (all)
.30	2	4060475001P	t-molding pkg. (14' pc.)
.50	3	4745J5271	table leg package
	Note: pkg. includes 2 legs & required mounting hardware		
.10	4	4751A9711	strap & screw pkg.
.10	5	4752-0551	white plastic cap m2
.15	6	4720F1211	table leg mounting brace m2
		1103E1018	5/8" wood screw
.15	7	4752A0561	table leg insert cap m2
.25	8	4744-6971	lock brace assy. x2
		1103E1018	5/8" wood screw
.15	9	4756-8741	table top plastic spacer m4
		1103B08148	7/8" screw (x2 per spacer)
.05	10	4724D2631	velcro fastener m4

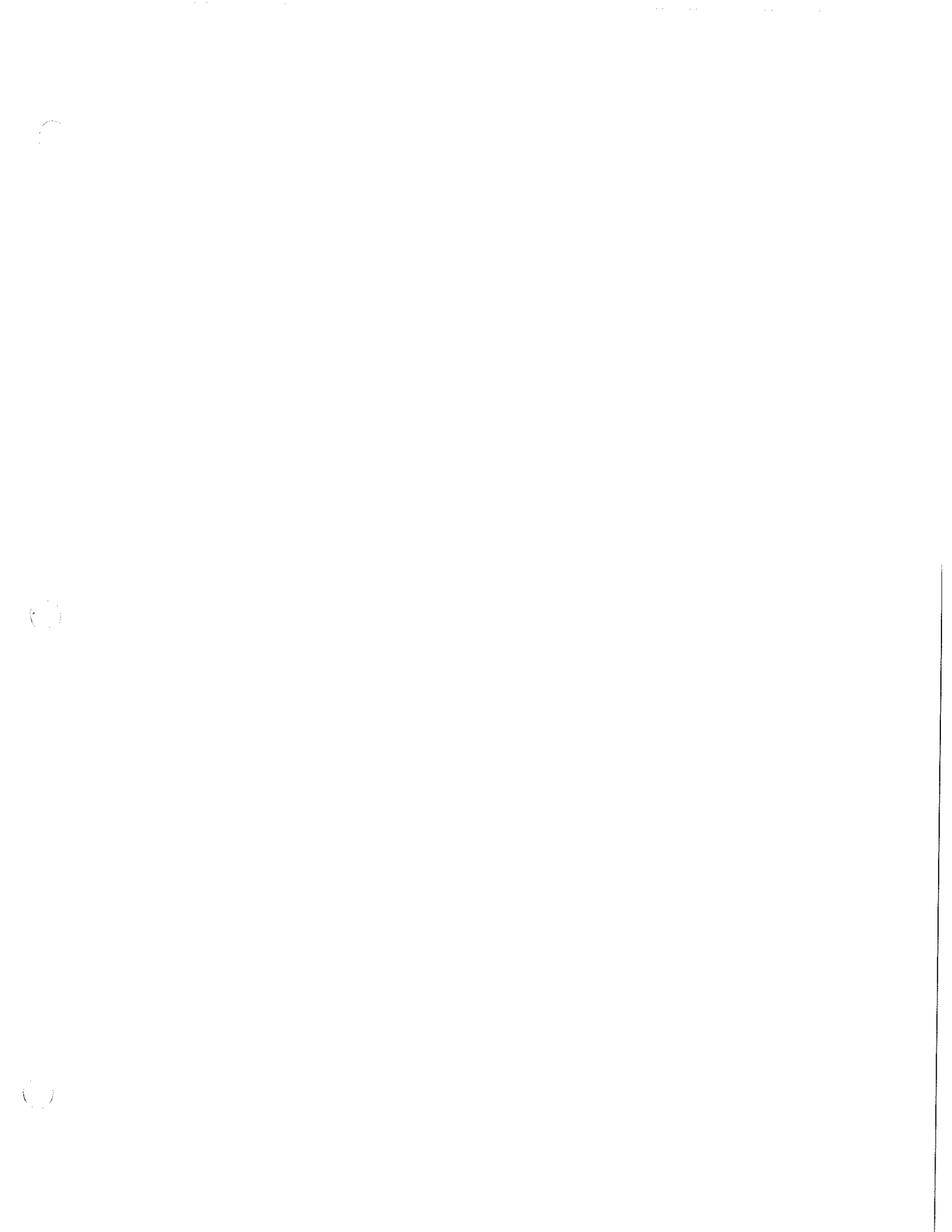


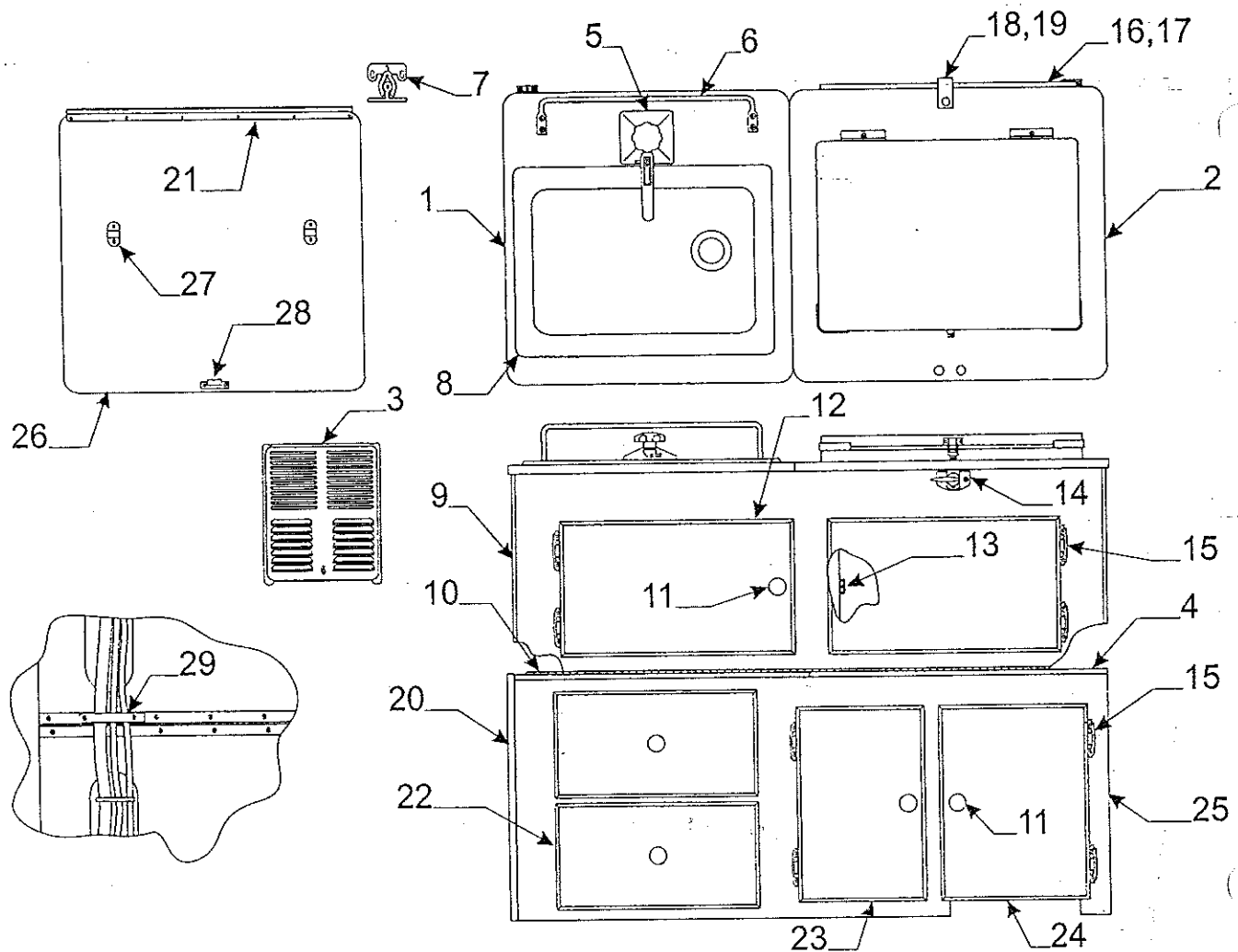
* Note: Used on units starting w/production date 11/19/01 and thereafter



Flat Rate	Code	Part #	Description
.60	1	4754D0451	Atwood counter top 3675 Taos
.60		*4754E0451	Vitco counter top 3675 Taos
.60		4754C9441	Atwood counter top 3676, 3653
.60		*4754D9441	Vitco counter top 3676, 3653
.60		4757B3971	Atwood counter top 3692 Tacoma
.60		*4757C3971	Vitco counter top 3692 Tacoma
.60		4757A9401	Atwood counter top 3652, 3656
.60		*4757B9401	Vitco counter top 3652, 3656
.60		4757-9831	Atwood counter top 3654 Fairlake
.60		*4757A9831	Vitco counter top 3654 Fairlake
.30		4060475001P	t-molding pkg. (14' pc.)
.15	2	4749E6601	stove cover assy. "Atwood" 3675,76,56,52
.15		4748B6461	stove cover assy. "Atwood" 3653,54,92
.15	2A	4749F6601	stove cover assy. "Vitco" 3675,76,56,52
.15		4748C6461	stove cover assy. "Vitco" 3653,54,92
.05	3	4716-1861	stove knob "Atwood"
.05	3A	4716A1861	stove knob M3 "Vitco"
.05	4	4752A9881	stove grate
.05	5	4716A0881	thumb screw m6 "Atwood"
.05		4746-8661	plastic thumb screw m6 3653,54,92
.35	6	4754-0471	stove hanger bracket
.05	7	4730A3548	stud w/screw
.25	8	4749D99381	stove fin x2 3675,76,56,52
.25		4746-8531	stove fin x2 3653,54,92
.15	9	4746A9491	cook top 2 burner "Atwood" 3675,76,56,52
.15		4746A8561	cook top 3 burner "Atwood" 3653,54,92
.15	9A	4746B9491	cook top 2 burner "Vitco" 3675,76,56,52
.15		4746B8561	cook top 3 burner "Vitco" 3653,54,92
.15	10	4739E2908	screw cap m10
.15		4739-2918	screw cap washer m10
.15	11	4733-4018	stove cover latch
.15		1203-8558	rivet m25 (x2 per latch)
.15		4733-4028	strike
.15		4737-8478	screw
.05	12	4732A2291	edge molding m2
.25	13	4716-7131	48" gas hose pkg.
Note: Pkg. consist of (1) hose, inside & outside quick disconnect			
.05	14	4748-2731	support leg (all)
.15	15	4754A08861	latch strike
.75	16	4748C2581	stove box (2 burner) "Atwood" 3675,76,56,52
.75		4739G2931	stove box (3 burner) "Atwood" 3653,54,92
.75	16A	4748D2581	stove box (2 burner) "Vitco" 3675,76,56,52
.75		4739H2931	stove box (3 burner) "Vitco" 3653,54,92
.20	17	4740A1891	support leg brkt. w/rivets m2
.05	18	4724-2608	stop button
.05	19	4716-2631	stove top screw/washer m2 "Vitco"
.10	20	4716-2671	stove cover hinge "Vitco"
.25	21	4716-2661	stove fin "right" "Vitco" (2 or 3 burner)
.25		4716-2651	stove fin "left" "Vitco" (2 or 3 burner)
.15	22	** 4716-2641	stove fin stay brkt. m2 "Vitco"

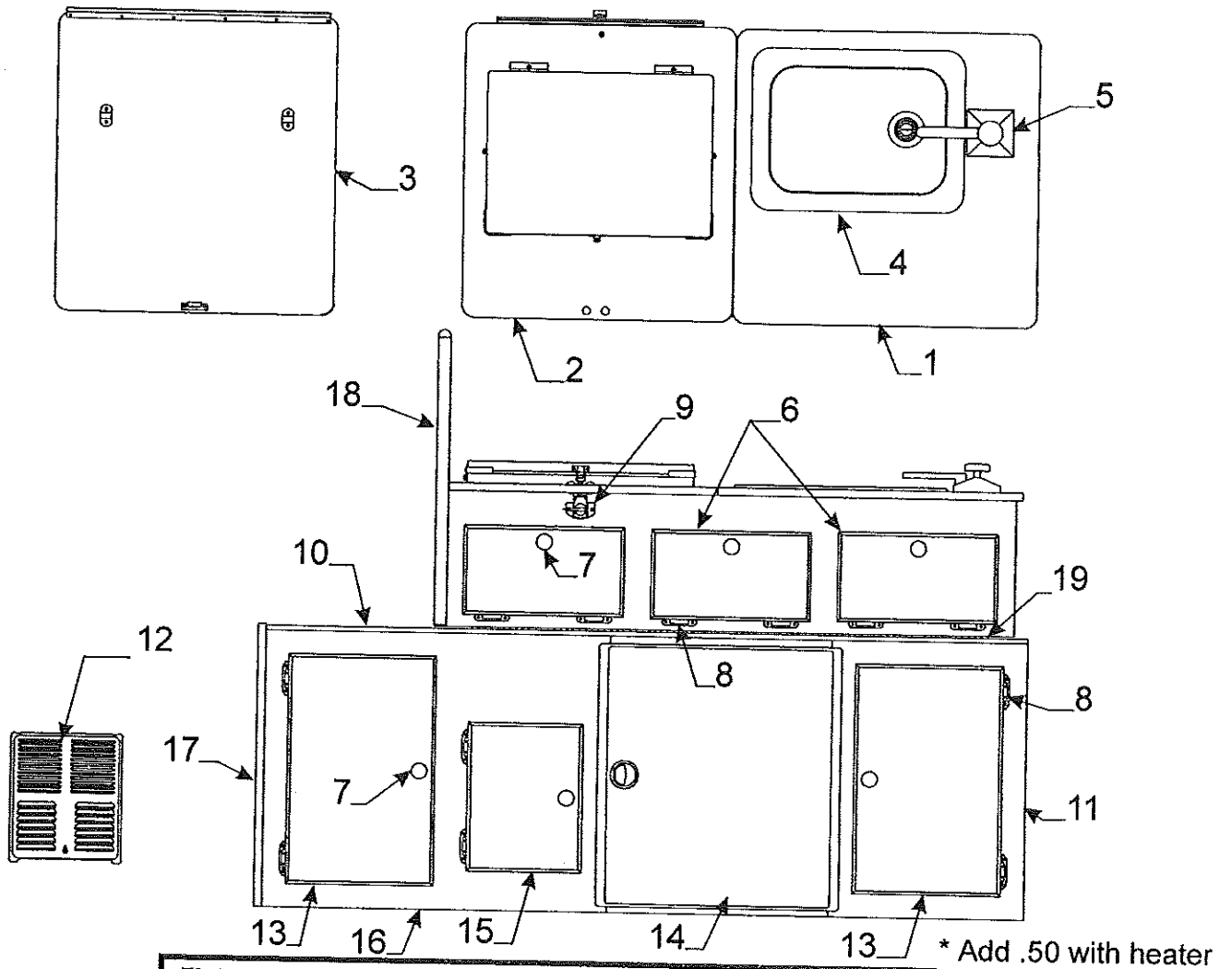
** Revised - 2/1/02



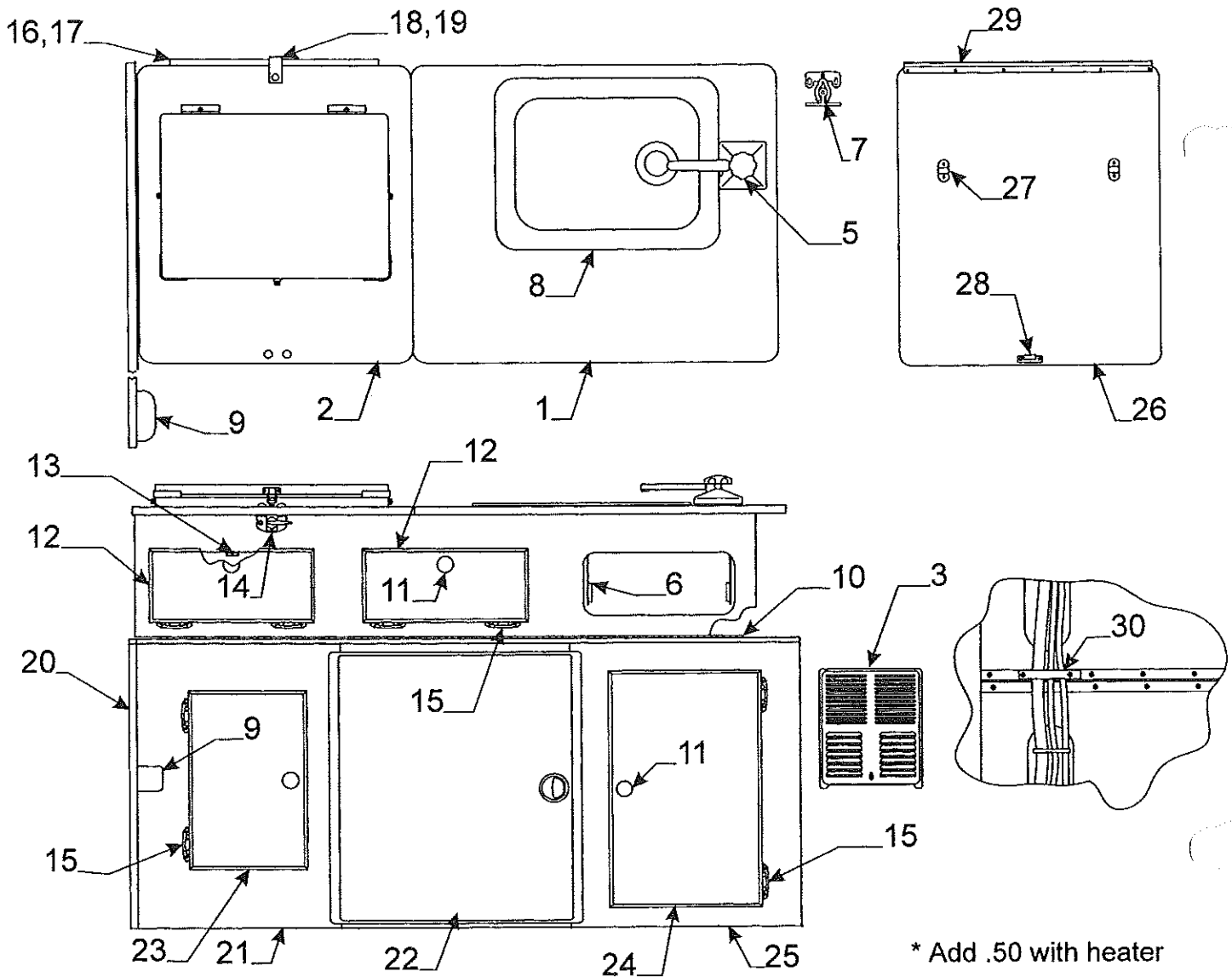


* Add .50 with heater

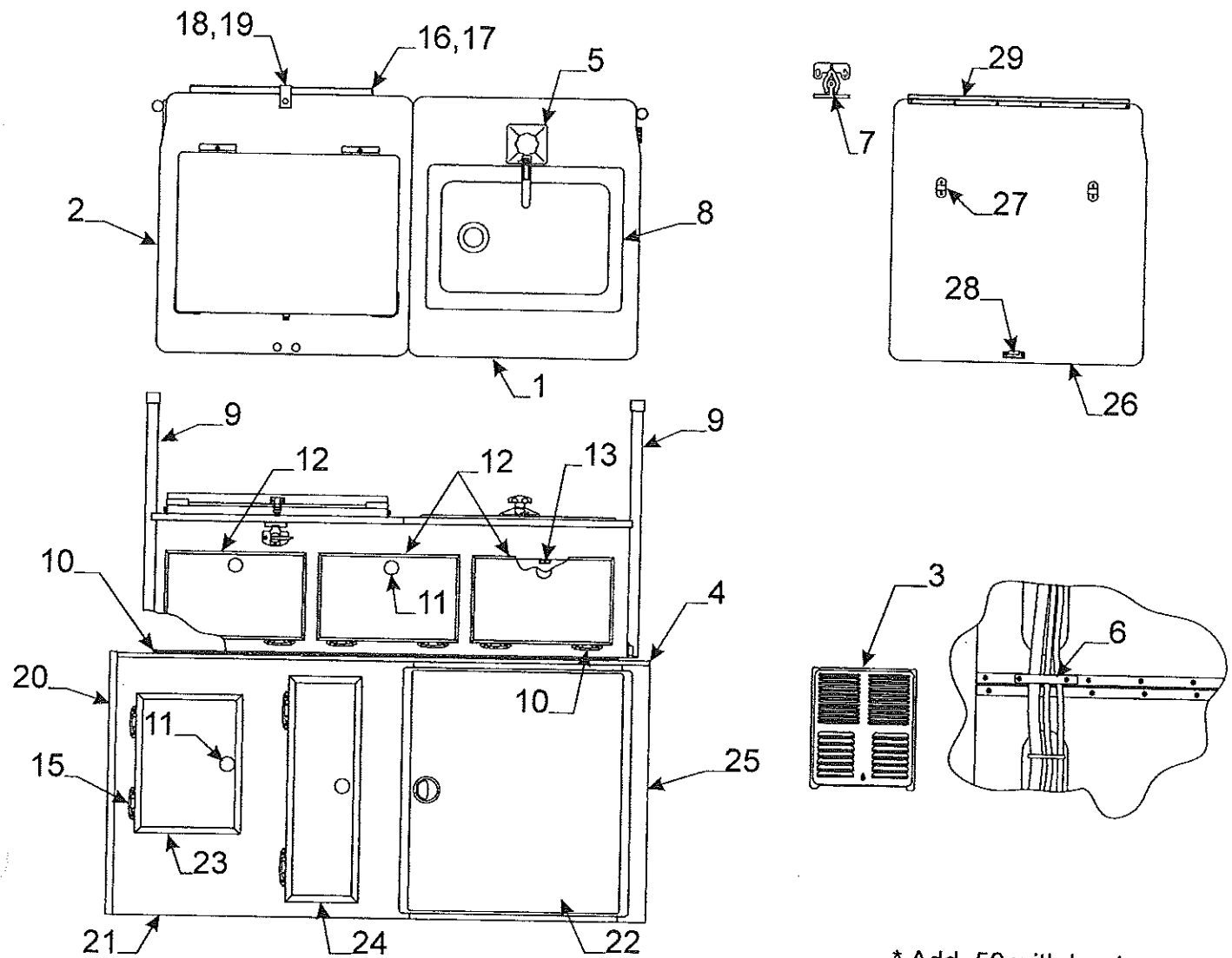
Galley Assy. Components - 3675 Taos							
Flat Rate	Code	Part #	Description	Flat Rate	Code	Part #	Description
1.00	1	4749P9921	upper galley top	.10	11	4748A3951	door pull (includes screw)
.30		4060475001P	t-molding pkg. (14' pc.)	.15	12	4754B1481	dr. pnl x2 - 9 1/4" x 15 3/4"
	2	Note: refer to page 13 for this item		.15	13	4733-6391	latch & strike pkg.
.10	3	4743-3551	furnace grill	.20	14	4754-0501	latch
1.25	4	*4747J4371	lower galley top	.10	15	4739B0518	hinge
		4716-9691	hose strap pkg.	.10		4745C26188	hinge (spring loaded)
.20		4746C0971	kill switch m4	.25	16	4750A8481	stove support
.40	5	4734D0161	hand pump "Shurflo"	.35	17	4754-0461	stove support brkt.
.40		4734E0161	hand pump "Atwood"	.15	18	4723B5061	safety strap
		4741A9551	check valve (Atwood only)	.05	19	4730A3548	stud w/screw
		4741A9561	female copper adapter	.35	20	4749H9891	seat end
		4716-081	screw x4	.30		4060400091P	t-molding (12' pc. Pkg)
		Note: refer to page 12 for pump components		.15	21	4754-0471	hanger bracket
.25	6	4734H0991	grab bar 14 1/2"	.15	22	4758F5691	drawer assy. x2
.15	7	4744A9261	knuckle latch m4	.15	23	4757A4041	door panel 12" x 9 1/8"
		4738-3088	screw x2	.15	24	4754B1461	door panel 14" x 10 3/4"
.30	8	4710F0301	sink	1.50	25	*4749L9901	galley front
		Note: refer to page 12 for sink components		.10	26	4754D5391	cutting board assy.
.65	9	4716D0151	3/8" f-channel 24" pc.	.10	27	4740A1891	support leg brkt. m2
.50	10	4757-2621	hinge	.10	28	4754A08861	latch strike
				.10	29	4716-9691	hose strap pkg.



Upper & Lower Galley Assy. Components - 3656 Yuma				
Flat Rate	Code	Part #	Description	
1.00	1	4757C3231	upper galley top	
.30		4060475001P	t-molding pkg. (14' pc.)	
	2	Note: refer to page 13 for this item		
.10	3	4767-5551	cutting board assy.	
		Note: refer to page 14 for hardware		
.30	4	4710F0301	sink	
		Note: refer to page 12 for sink components		
.40	5	4734D0161	hand pump	
		4716-081	screw x4	
		Note: refer to page 12 for pump components		
.15	6	4757B3981	door panel x3 - 8" x 13"	
.10	7	4748A3951	door pull (includes screw)	
.10	8	4739B0518	hinge	
.20	9	4754-0501	latch	
1.25	10	4758-1521	lower galley top	
		4716-9691	hose strap pkg.	
.20		4746C0971	kill switch m4	
1.50	11	*4757A3201	lower galley frt. (small)	
.10	12	4743-3551	furnace grill	
.15	13	4757A3211	door panel 18 1/2" x 11 3/4"	
.10	14	4754A0481	built-in cooler	
.15	15	4757A4041	door panel 12" x 9 1/8"	
.75	16	4758-1511	lower galley frt. (large)	
.75	17	4754C3431	lower galley side left	
.25	18	4757A2991	galley rest pole	
		4752-0551	plastic cap m2	
.50	19	4754-9451	hinge	

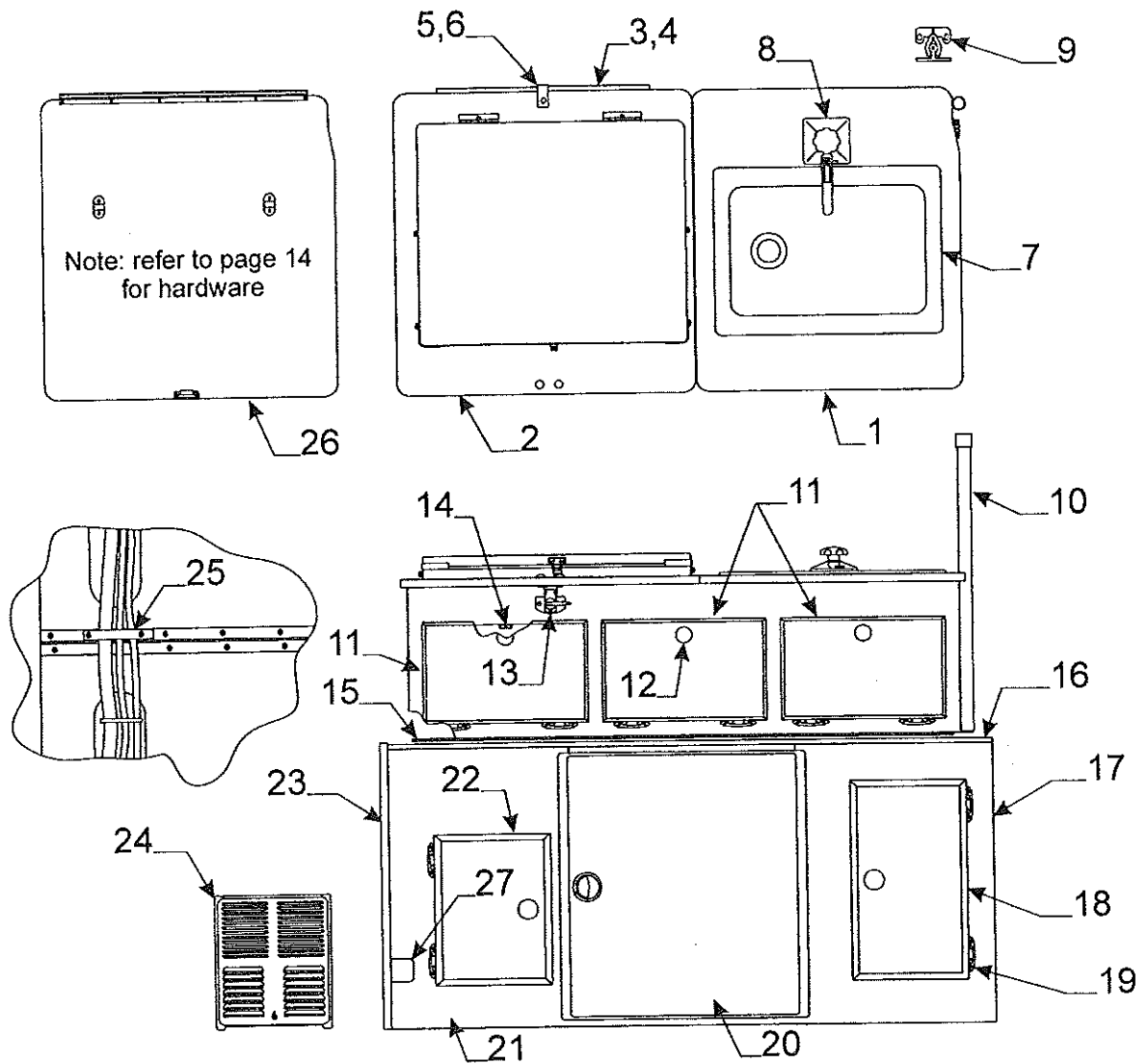


Flat Rate	Code	Part #	Description	Flat Rate	Code	Part #	Description
1.00	1	4757C3231	upper galley top	.15	12	4754A9471	door pnl. 12 3/4" x 5 3/4"
.30	2	4060475001P	t-molding pkg. (14' pc.)	.15	13	4733-6391	latch & strike pkg.
			Note: refer to page 13 for this item	.20	14	4754-0501	latch
.10	3	4743-3551	furnace grill	.10	15	4739B0518	hinge
1.25	4	*4757B3191	lower galley top	.10		4745C26188	hinge (spring loaded)
.20		4746C0971	kill switch m4	.25	16	4750A8481	stove support
.40	5	4734D0161	hand pump "Shurflo"	.35	17	4754-0461	stove support brkt.
.40		4734E0161	hand pump "Atwood"	.15	18	4723B5061	safety strap
			Note: refer to opposite page for check valve	.05	19	4730A3548	stud w/screw
.25	6	4754-8511	paper towel holder	.35	20	4754E2611	seat gazoodi
.15	7	4744A9261	knuckle latch m4	.30		4060400091P	t-molding (12' pc. Pkg)
		4738-3088	screw x2	.75	21	*4754E8421	lower galley frt. "left"
.30	8	4710F0301	sink	.50	22	4754A0481	built-in cooler
			Note: refer to page 12 for sink components	.15	23	4757A4041	door panel 12" x 9 1/8"
.25	9	4754B0901	galley rest (plastic)	.15	24	4757A3211	dr pnl 18" 1/2" x 11 3/4"
.50	10	4757-2621	hinge	1.50	25	4757A3201	galley front "right"
		1103B08148	7/8" screw x6	.10	26	4757-4411	cutting board assy.
		1016B08208	machine screw x2	.10	27	4740A1891	support leg brkt. M2
		1201B6908	nut x2	.10	28	4754A08861	latch strike
.10	11	4748A3951	door pull (includes screw)	.15	29	4754-0471	hanger bracket
				.10	30	4716-9691	hose strap pkg.



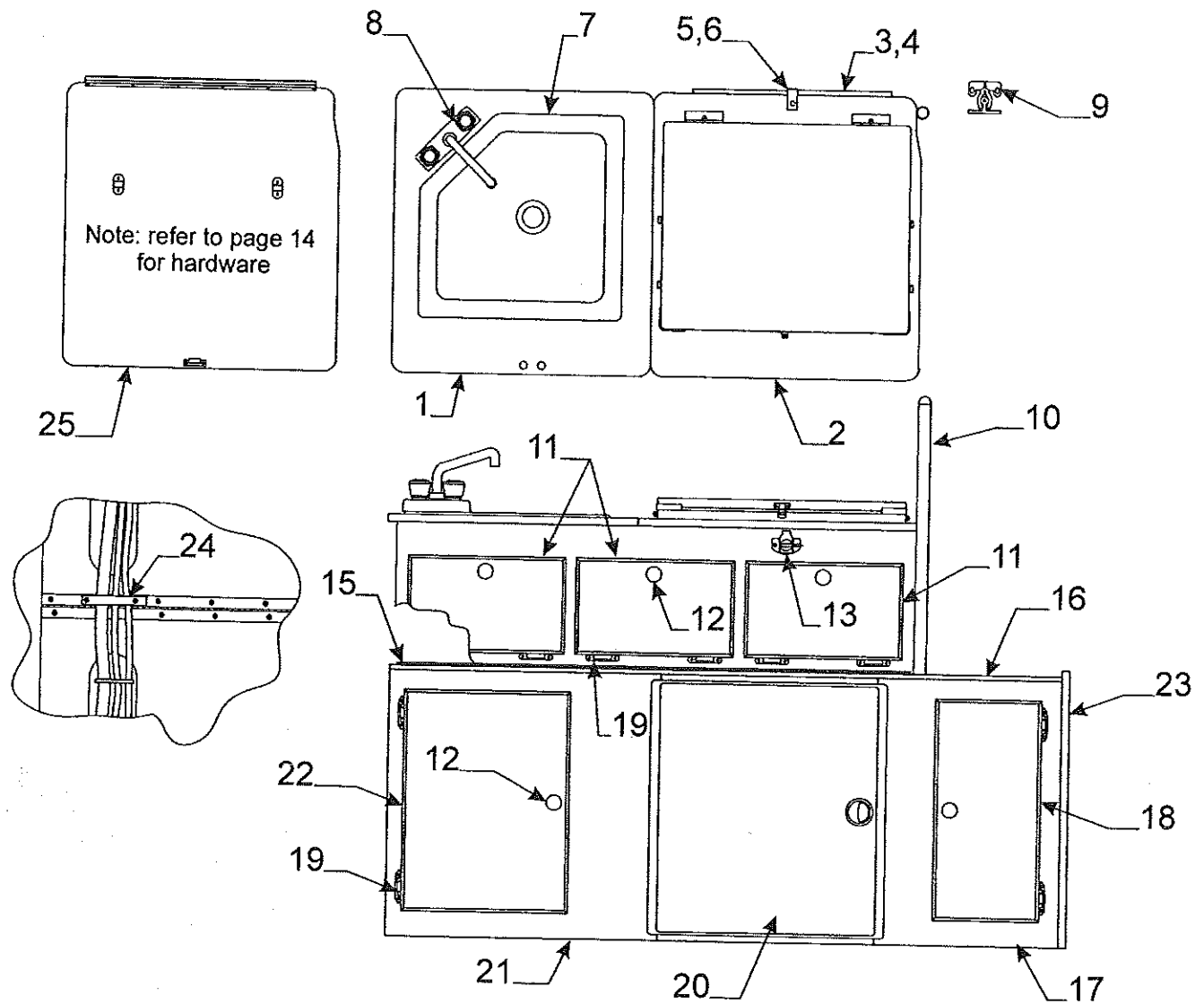
* Add .50 with heater

Upper & Lower Galley - 3652 Cottonwood							
Flat Rate	Code	Part #	Description	Flat Rate	Code	Part #	Description
1.00	1	4757A9351	galley top (non hot water)	.10	11	4748A3951	door pull (includes screw)
1.00		4757-9421	galley top (hot water)	.15	12	4757B3981	door panel 13" x 8"
.30		4060475001P	t-molding pkg. (14' pc.)	.15	13	4733-6391	latch & strike pkg.
	2	Note: refer to page 13 for this item		.20	14	4754-0501	latch
.10	3	4743-3551	furnace grill	.10	15	4739B0518	hinge
1.25	4	*4757A9341	lower galley top	.10		4745C26188	hinge (spring loaded)
.20		4746C0971	kill switch m4	.25	16	4750A8481	stove support
.40	5	4734D0161	hand pump (non hot water)	.35	17	4754-0461	stove support brkt.
1.00		4745D2741	mixer faucet (hot water)	.15	18	4723B5061	safety strap
		Note: refer to page 12 for pump components		.05	19	4730A3548	stud w/screw
.10	6	4716-9691	hose strap pkg.	.35	20	4754C3431	seat gazoodi
.15	7	4744A9261	knuckle latch m4	.30		4060400091P	lipped t-molding (12' pc.)
		4738-3088	screw x2	.75	21	*4757-9321	lower galley frt. "left"
.30	8	4710F0301	sink (non hot water)	.50	22	4754A0481	built-in cooler
.80		4745B2801	sink (hot water)	.15	23	4757A4041	door panel 12" x 9 1/8"
		Note: refer to page 12 for sink components		.15	24	4757A4051	door panel 8 3/4" x 18 1/2"
.25	9	4757A2991	galley rest pole	1.50	25	4756C0361	galley front "right"
		4752-0551	plastic cap m2 (white)	.10	26	4767-5551	cutting board assy.
.50	10	4757-2621	hinge	.10	27	4740A1891	support leg brkt. M2
		1103B08148	7/8" screw x6	.10	28	4754A08861	latch strike
				.15	29	4754-0471	hanger bracket



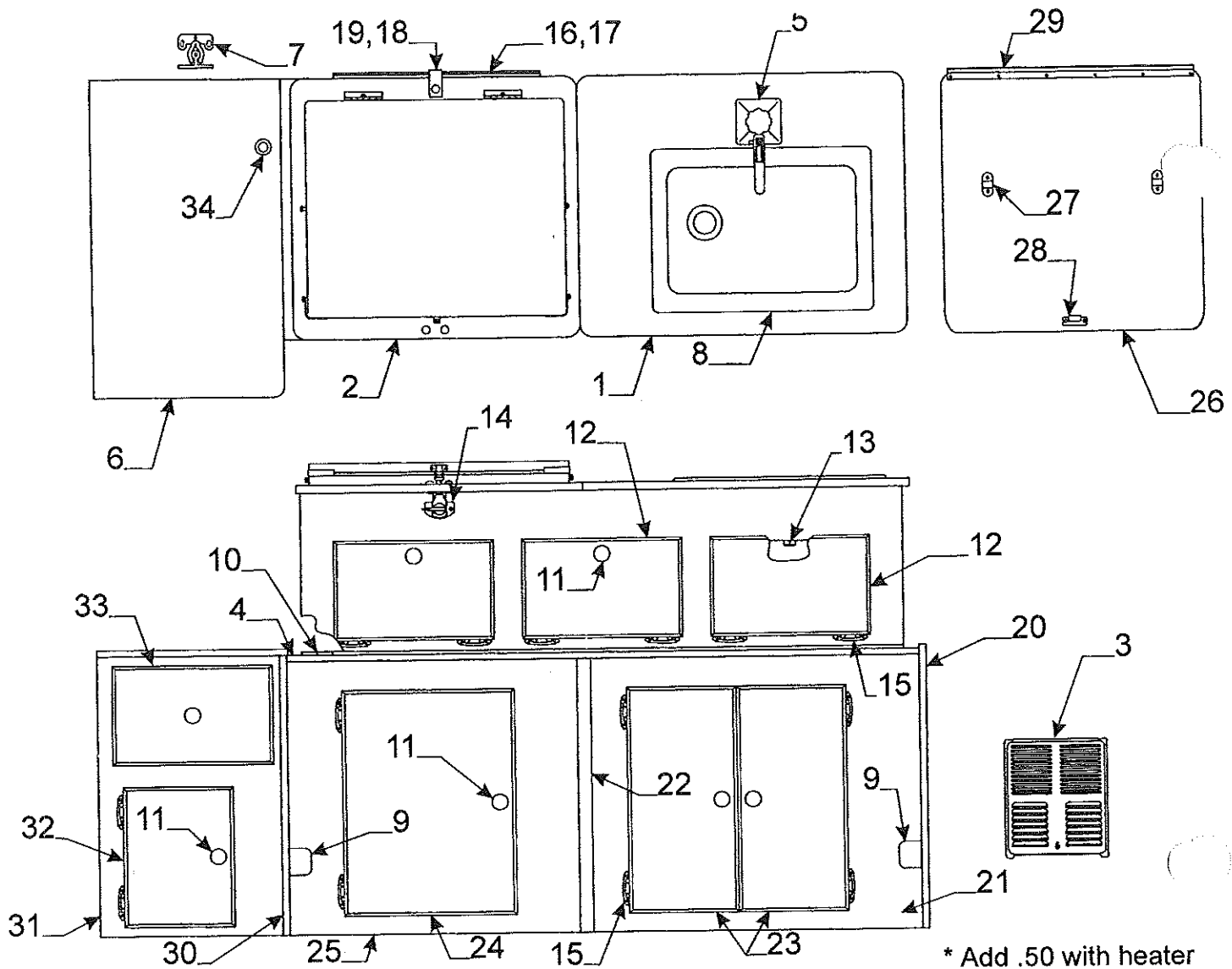
Flat Rate	Upper & Lower Galley - 3653 Laramie	Flat Rate	Code	Part #	Description
1.00	1	.10	12	4748A3951	door pull (includes screw)
1.00		.20	13	4754-0501	latch
.30		.15	14	4733-6391	door latch & strike
	2	.50	15	4757-2621	hinge (all)
.25	3	1.25	16	4758-0221	lower galley top
.35	4	.20		4746C0971	kill switch m4
.15	5	.75	17	4758-0211	lower galley frt. right
.05	6	.15	18	4757A3211	door pnl. 18 1/2" x 11 3/4"
.30	7	.10	19	4739B0518	hinge
.80		.10		4745C26188	hinge (spring loaded)
		.50	20	4754A0481	built-in cooler
.40	8	.75	21	*4754C8421	lower galley frt. left
		.15	22	4757A4041	door pnl. 14" x 9 1/8"
		.35	23	4754G0581	gazoodi
.15	9	.30		4060400091P	lipped t-molding (12' pc.)
.25	10	.10	24	4743-3551	furnace grill
		.10	25	4716-9691	hose strap pkg.
.15	11	.10	26	4757-4411	cutting board
		.25	27	4754B0901	galley rest (plastic)

* Add .50 with heater



Flat Rate	Code	Part #	Description	Flat Rate	Code	Part #	Description
1.00	1	4757-9841	galley top	.20	13	4754-0501	latch
.30		4060475001P	t-molding pkg. (14' pc.)	.15	14	4733-6391	door latch & strike
	2	Note: refer to page 13 for this item		.50	15	4757-2621	galley hinge (all)
.25	3	4750A8481	stove support	1.25	16	4757-9821	lower galley top
.35	4	4754-0461	stove support brkt.	.20		4746C0971	kill switch m4
.15	5	4723B5061	safety strap	.75	17	4757-9801	lower galley frt. right
.05	6	4730A3548	stud w/screw	.15	18	4757A4051	door pnl. 18 1/2" x 8 3/4"
.80	7	4745B2801	sink	.10	19	4739B0518	hinge
		Note: refer to page 12 for sink components		.10		4745C26188	hinge (spring loaded)
1.00	8	4745E2741	mixer faucet	.50	20	4754A0481	built-in cooler
.15	9	4744A9261	knuckle latch m4	.75	21	*4757-9811	lower galley frt. left
.25	10	4757A2991	galley support pole	.15	22	4757A2531	door pnl. 18 1/2" x 13 3/4"
		4752-0551	plastic cap m2	.75	23	4756B0011	gazoodi
.15	11	4757B3981	door panel x3 -13" x 8"	.30		4060400091P	lipped t-molding (12' pc.)
.10	12	4748A3951	door pull (includes screw)	.10	24	4716-9691	hose strap pkg.
				.10	25	4759A6201	cutting board

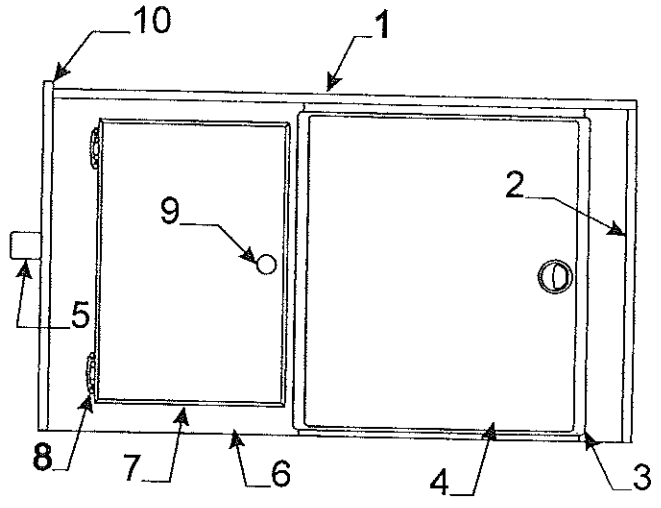
* Add .50 with heater



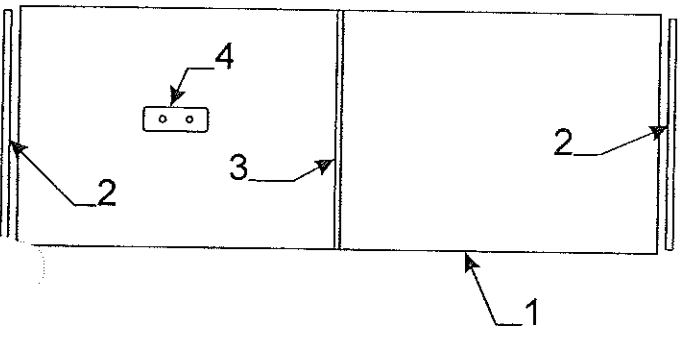
* Add .50 with heater

Flat Rate	Galley Assy. Code	Components Part #	Description	Flat Rate	Code	Part #	Description
1.00	1	4757A4091	upper galley top (non hot water)	.20	14	4754-0501	latch
1.25		4757A4151	upper galley top (hot water)	.10	15	4739B0518	hinge
.30		4060475001P	t-molding pkg. (14' pc.)	.10	4745C26188	hinge (spring loaded)	
	2	Note: refer to page 13 for this item		.25	16	4750A8481	stove support
.10	3	4743-3551	furnace grill	.35	17	4754-0461	stove support brkt.
1.25	4	4755E1381	lower galley top	.15	18	4723B5061	safety strap
.20		4746C0971	kill switch m4	.05	19	4730A3548	stud w/screw
.40	5	4734D0161	hand pump (non hot water)	.35	20	4755B2901	gazoodi
1.00		4745D2741	mixer faucet (hot water)	.30	21	4060400091P	lipped t-molding (12' pc. Pkg)
		Note: refer to page 12 for pump components		.75	22	4755D0711	lower galley frt. "right"
.25	6	*4756A8791	cabinet top	.50	23	4754C054	h-channel connector
.15	7	4744A9261	knuckle latch m4	.15	24	4757A4051	door panel x2 -18 1/2" x 8 3/4"
		4738-3088	screw x2	.15	25	4757A3211	door panel 18 1/2" x 13 3/4"
.30	8	4710F0301	sink (non hot water)	1.50	26	4757E0061	galley front "left"
.80		4745B2801	sink (hot water)	.10	27	4759A5651	cutting board assy.
		Note: refer to page 12 for sink components		.10	28	4740A1891	support leg brkt. M2
.25	9	4754B0901	galley rest (plastic)	.10	29	4754A08861	latch strike
.50	10	4757-2621	hinge	.15	30	4754-0471	hanger bracket
.10	11	4748A3951	door pull (includes screw)	.35	31	4716D0151	3/8" f-channel 24" pc.
.15	12	4757B3981	door panel x3 - 13" x 8"	.75	32	*4756A8771	cabinet front
.15	13	4733-6391	latch & strike pkg.	.15	33	4757A4041	door panel 12" x 9 1/8"
				.15	34	4752L6931	drawer assy.
				.10		4747-8941	black cap insert

Flat Rate	RS Code	Hutch Components 3692 Tacoma Part #	Description
.25	1	4752F4601	hutch top
.30		4060462506P	t-molding pkg. (10' pc.)
.30	2	4757-8771	cabinet side
.75	3	4755D4641	cabinet frt. rt.
.50	4	4754A0481	built-in cooler
.25	5	4754B0901	galley rest (plastic)
.75	6	4752J4551	cabinet front "left" 3692
.15	7	4757A2531	door pnl. 18 1/2" x 13 3/4"
.10	8	4745C26188	hinge (spring loaded)
.10	9	4748A3951	door pull (includes screw)
.30	10	4756B8761	gazoodi
.30		4060400091P	lipped t-molding (12' pc. pkg.)

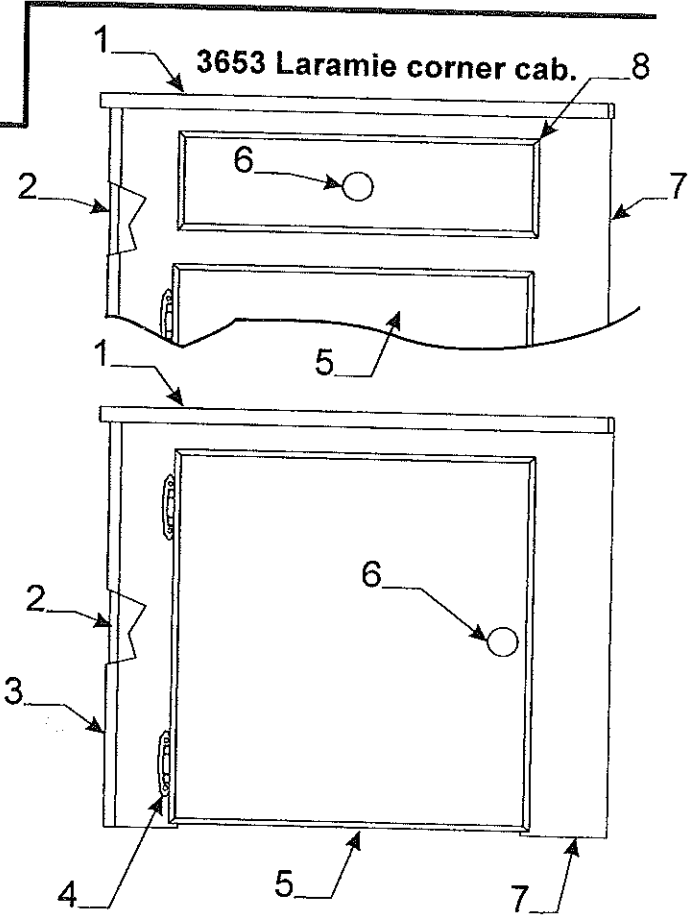


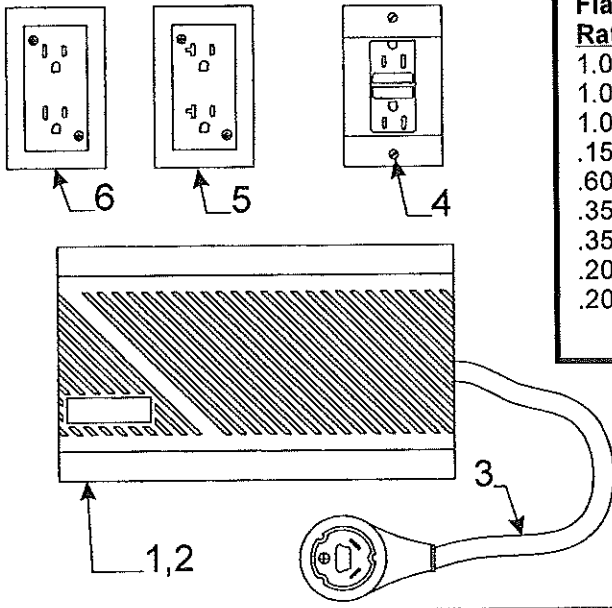
* Prior Authorization Needed



Flat Rate	Code	Part #	Description
*	1	4754E1361	universal wall panel 48" x 23 13/16"
*	2	4716C1321	universal corner divider m2 48" pc.
*	3	4716C1331	universal panel divider m2 48" pc.
.15	4	4754B0901	galley rest

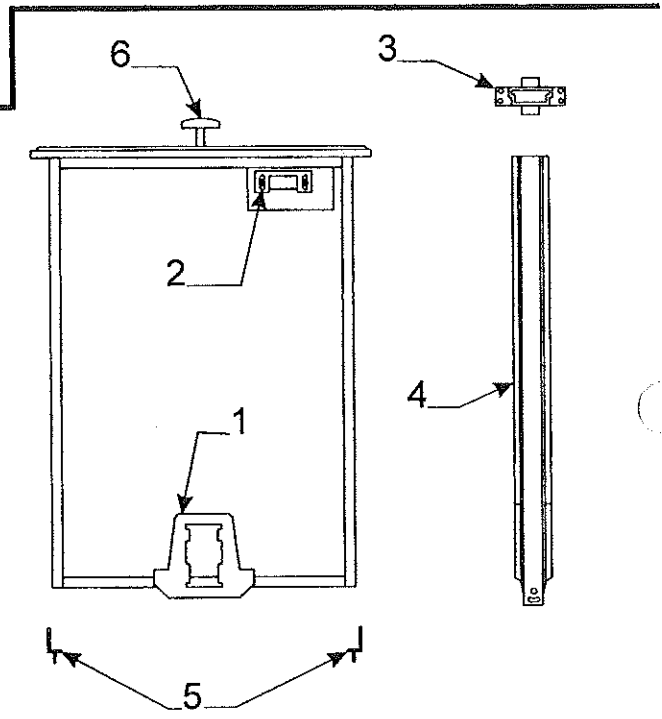
Flat Rate	Code	Part #	Description
.25	1	4747E3321	csf cabinet top 3675 Taos
.25		4756C4701	csf cabinet top 3676 Sedona
.25		4754B9061	csf cabinet top 3656 Yuma
.25		4754C1831	csf cabinet top 3653 Laramie
.30		4060462506P	t-molding pkg. (10' pc.)
.30	2	4747F3351	cabinet side 3675, 3656
.30		4756C4671	cabinet side w/door cutout 3676
.30		4754C8211	cabinet side 3653
.35	3	4716D0151	3/8" f-channel 24" pc.
.10	4	4745C26188	hinge (spring loaded)
.15	5	4754B0711	door pnl. 16 1/8" x 15 1/4" 3675,56
.15		4757A3221	door pnl. 17" x 15 1/4" 3676
.15		*4757A2531	door pnl. 18 1/2" x 11 3/4" 3676
.15		4757-9391	door pnl. 15 1/8" x 15 1/8" 3653
		*Note: door pnl. used on lg. cab. side of 3676	
.15		4733-6391	latch & strike pkg.
.10	6	4748A3951	door pull (includes screw)
.50	7	4747F3281	cabinet front 3675, 3656
.50		4756C4691	cabinet front 3676
.50		4754D1841	cabinet front 3653
.15	8	4767-5451	drawer assy. 3653



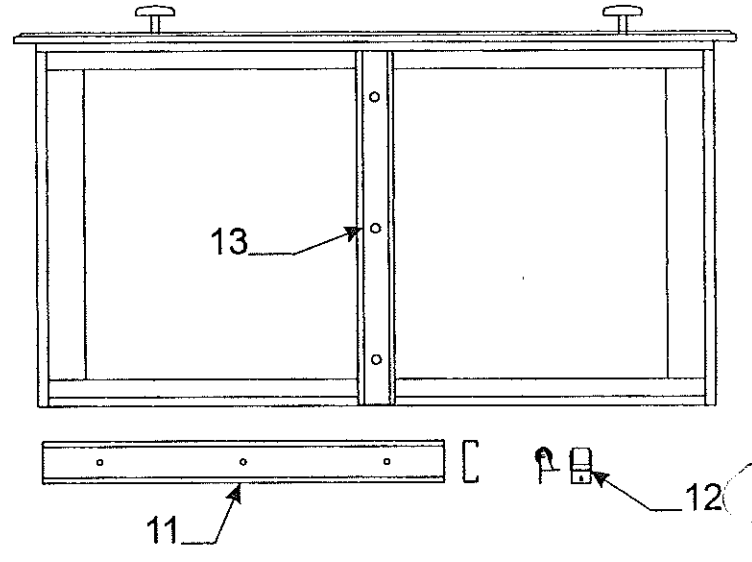
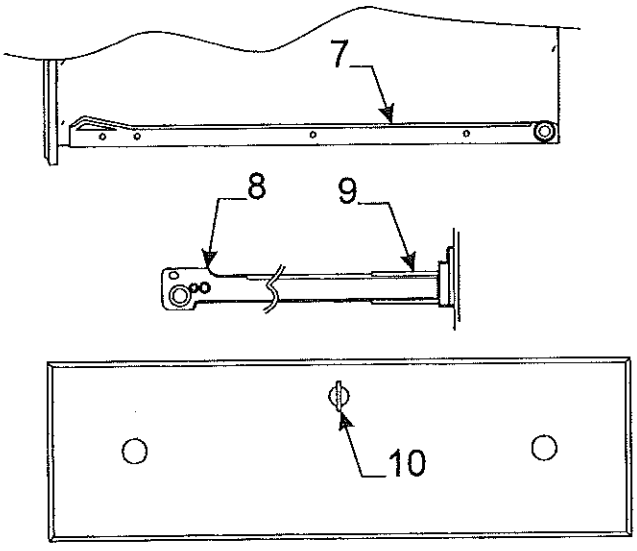


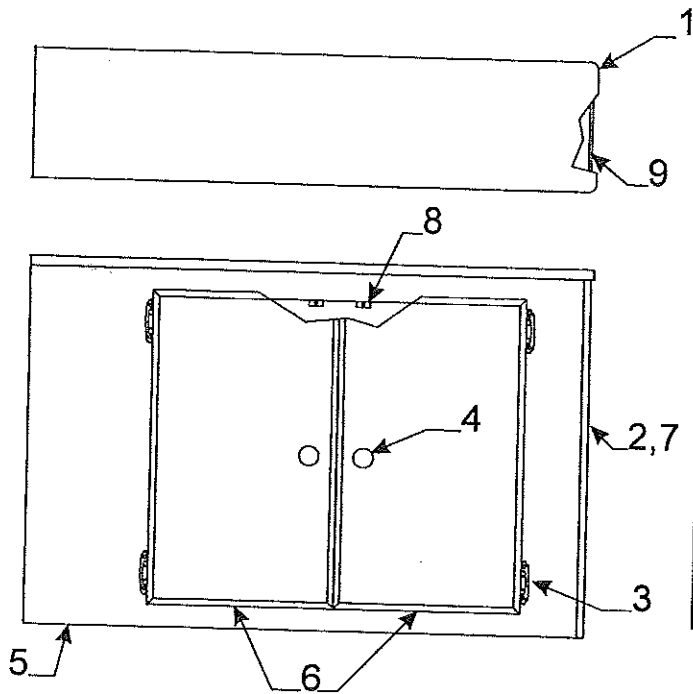
Flat Rate	Code	Part #	Description
1.00	1	4742C9811	converter 12 amp (Elixir cs 1200)
1.00		4753B8201	converter 20 amp (Elixir cs 2000)
1.00		4757-3401	15/20 amp combo breaker
.15	2	4716A1301	converter face cover (plastic)
.60	3	4744-3101	power cord 30 ft.
.35	4	4746B3841	GFI receptacle w/cover (wht.)
.35		4755-8321	20 amp GFI receptacle w/cover (wht.)
.20	5	4752-2371	20 amp receptacle w/cover (wht.)
.20	6	4752-2361	15 amp receptacle w/cover (wht.)
	7	4746A3851	receptacle box

Elixir/Centurion Converter
 Tech Support Phone # 1-800-848-0558

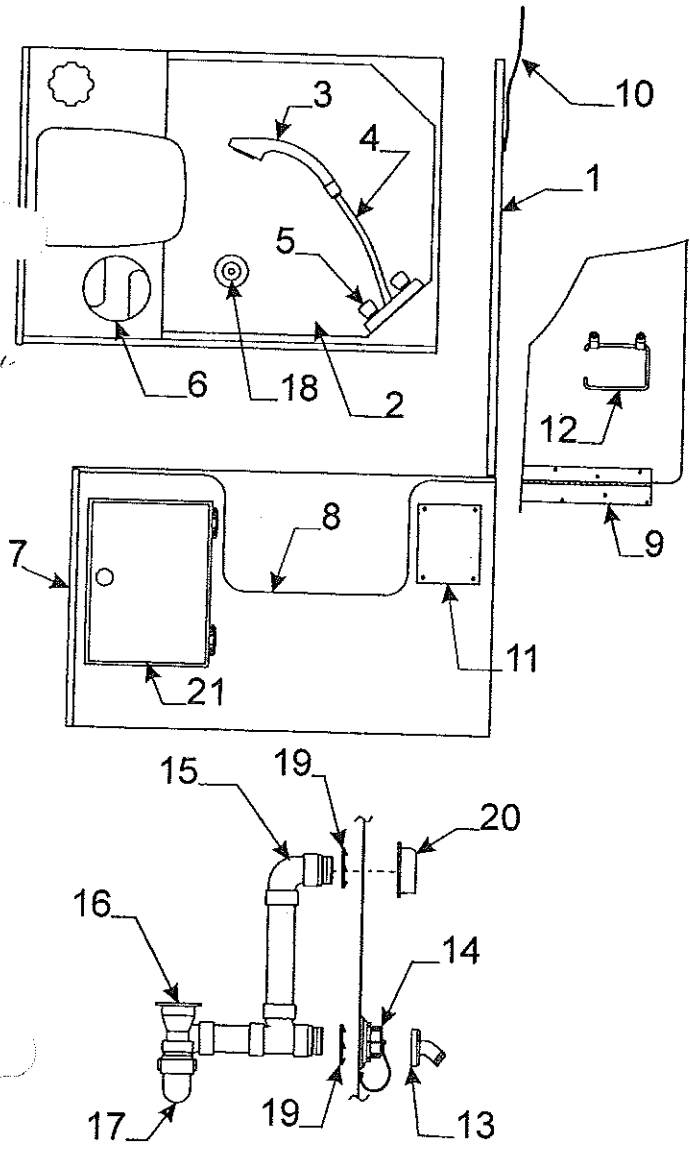


Flat Rate	Code	Part #	Description
.15	1	4749-8371	plastic base guide
.15	2	4749-8381	plastic drawer latch
.15	3	4749-8361	plastic guide socket
.25	4	4754-0721	metal drawer guide
.05	5	4749-8398	plastic corner tack
.10	6	4748A3951	door pull w/screw
.50	7	4716-8841	16" drawer guide pkg.
.50	8	4716-8911	22" drawer guide/socket set (Must cut to length)
.25	9	4755-8801	plastic socket "left"
.25		4755-8811	plastic socket "right"
.15	10	4757A9081	brass thumb turn lock
.25	11	4757-8901	14" metal drawer guide
.25		4757-8891	17" metal drawer guide
.10	12	4757-8911	drawer roller
.25	13	4757-9101	14" pvc i-beam drawer guide
		4757-8891	17" pvc i-beam drawer guide



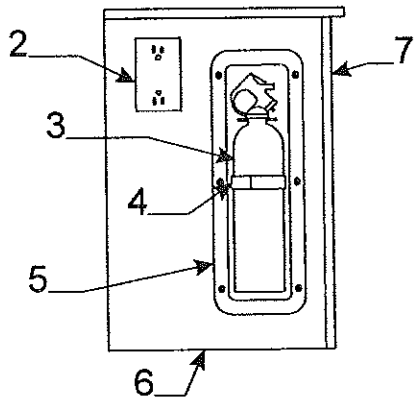
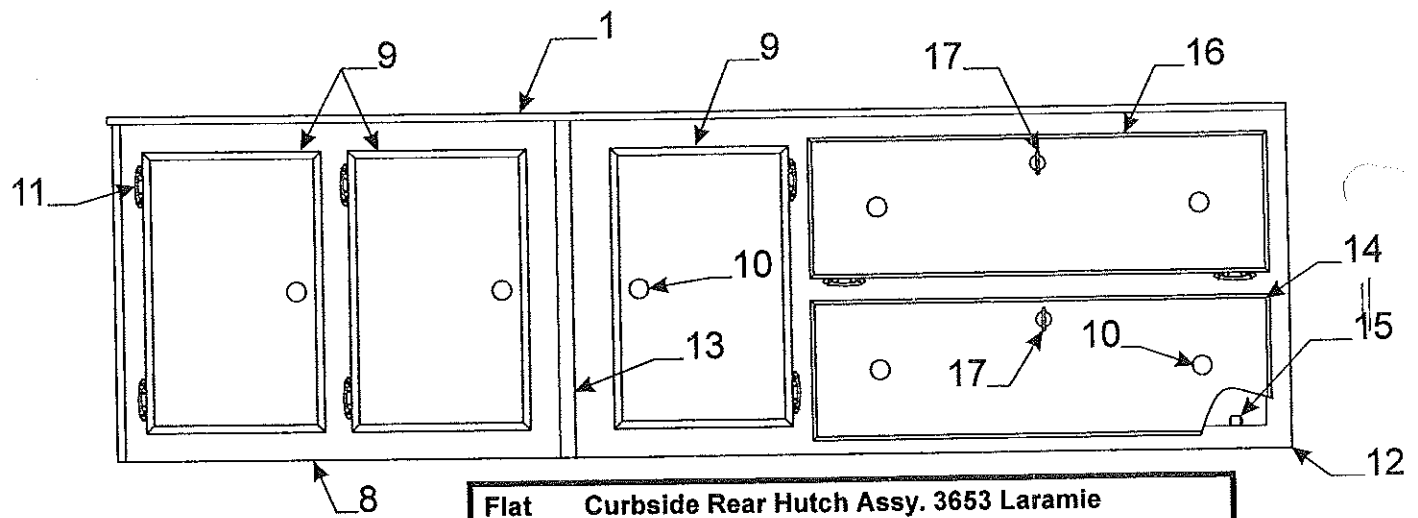


Doorway Hutch Assembly, 3654,3692			
Flat Rate	Code	Part #	Description
.25	1	4756B4311	cabinet top 3654
.25		4755B3851	cabinet top 3692
.30		4060462506P	t-molding pkg. (9' pc.)
.35	2	4716C0151	3/8" f-channel 24" pc.
.10	3	4745C26188	hinge (spring loaded)
.10	4	4748A3951	door pull (includes screws)
.30	5	4752G4691	cabinet side 3654, 3692
.15	6	4757A2531	door assy. 18 1/2" x 13 3/4"
	7		Note: refer to page 24 for fire extinguisher
.15	8	4733-6391	latch & strike pkg.
.30	9	4755C4571	cabinet front 3654
		4752F4951	cabinet front 3692

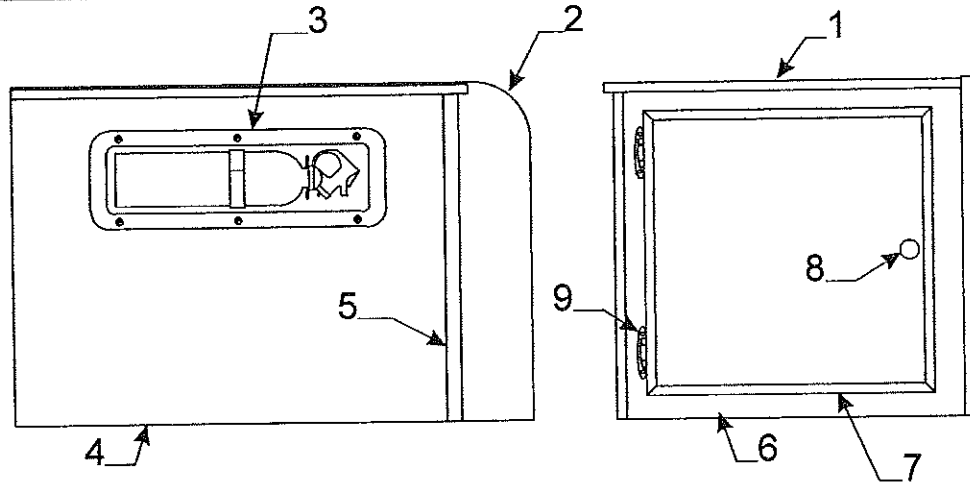


Shower Stall Components 3654 Fairlake			
Flat Rate	Code	Part #	Description
.40	1	4757B6711	shower cover board
.30		4060450003P	1/2" lipped t-molding (12' pc. pkg)
1.50	2	4767-5061	shower pan & cabinet
.15	3	4746A3761	shower head w/bracket
.20	4	4741B2051	shower hose (72" length)
.50	5	4741B2071	shower diverter
.10		4716-0848	shower hose connector
.75	6	4756-2251	cassette potty
.75	7	4754C3861	shower wall
.30		4060400091P	5/8" t-molding pkg. (12' pc.)
1.50	8	4758-0681	shower threshold
		4060450003P	1/2" lipped t-molding (12' pc. Pkg)
.25	9	4756-4441	shower board hinge
.15	10	4757A6701	hold-up strap
.25	11	4757A2171	shower hose cover
.15	12	4756-9121	TP holder
		4747-2531	1/4" nylon clamp m2
	13	4737-9138	drain adapter
.10	14	4714A2861	cap & strap
.15		4749-4131	shower drain gasket
1.00	15	4741B9301	vent system
.50	16	4757-8561	trap adapter
.50		4752-3631	rubber washer
.40	17	4752-3621	p-trap w/union joint
.50	18	4746A1821	basket & strainer
.50	19	4757-0921	metal nut
.20	20	4757-9261	vent cover
.15	21	4758-0591	door panel 12" x 15"
	22	4741D6361	tub package.

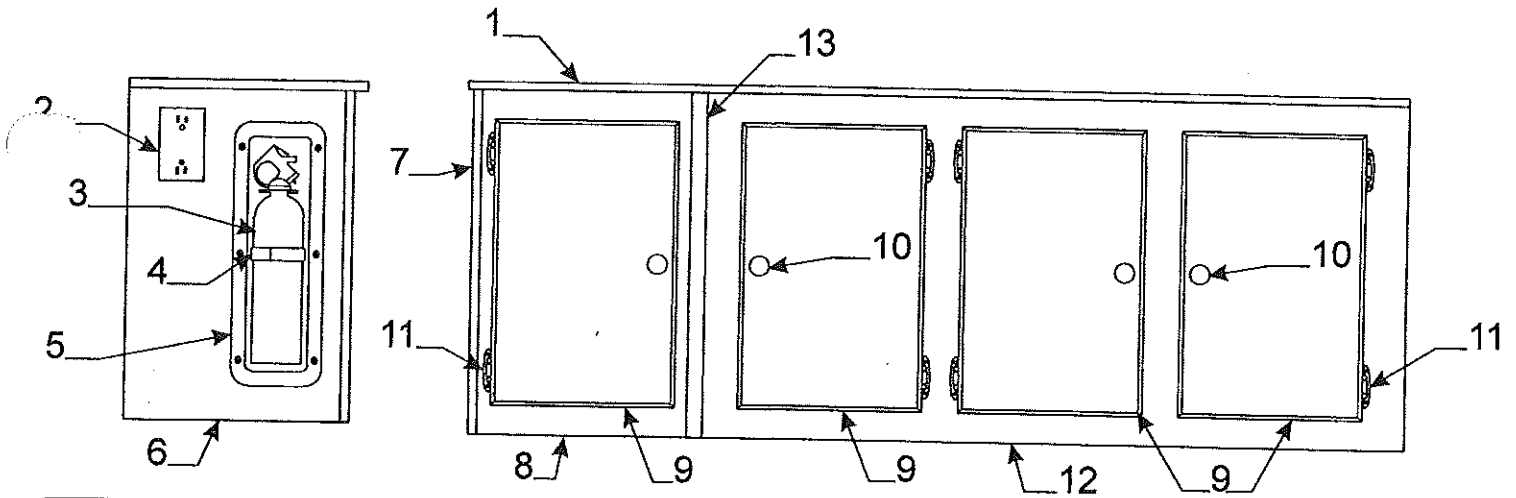
Package includes: shower head,hose,head bracket,drain adapter



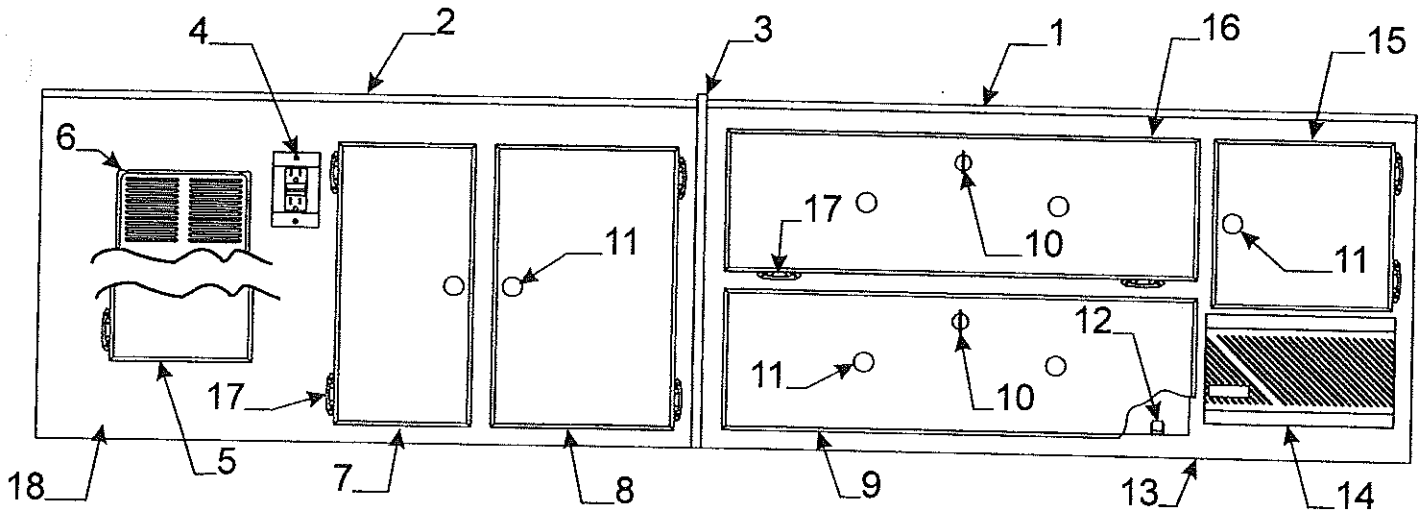
Flat Rate	Code	Part #	Description
.75	1	4758-0251	hutch top
.30		4060462506P	t-molding pkg. (9' pc.)
.20	2	4752-2361	15 amp receptacle
.10	3	4737A5558	fire extinguisher
.05	4	4716-1191	fire extinguisher strap m2
.15	5	4737B4198	recessed mount
		4738-3088	screw x6
.55	6	4754D0521	hutch side
.35	7	4716D0151	3/8" f-channel 24" pc.
.50	8	4758-0241	hutch front "small"
.15	9	4757A3211	door panel x3 - 11 3/4" x 18 1/2"
.10	10	4748A3951	door pull (includes screws)
.10	11	4745C26188	hinge (spring loaded)
1.00	12	4758-0231	hutch front "large"
.50	13	4754C054	3/8" h-channel 22 1/8" pc.
.15	14	4759A6751	drawer assy.
.10	15	4757-8911	drawer roller guide m2
.15	16	4757-9481	door panel 9 1/4" x 30 1/4"
.15	17	4757A9081	brass thumb turn lock



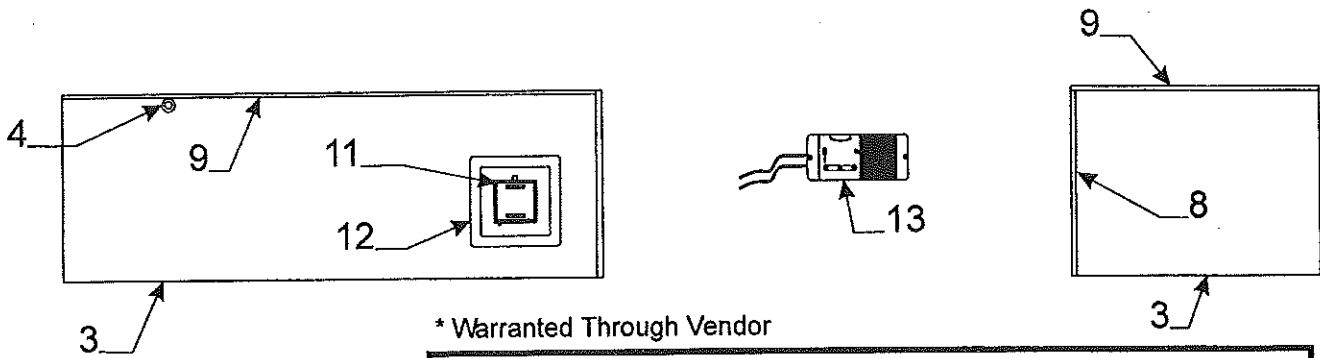
Flat Rate	Code	Part #	Description	Flat Rate	Code	Part #	Description
.75	1	4754C3421	cabinet top 3652	.65	5	4716D0151	3/8" f-channel 24" pc.
.75		4758-1491	cabinet top 3656	.50	6	4754C3401	cabinet front 3652
.30		4060462506P	t-molding pkg. (9' pc.)	.50		4758-1481	cabinet front 3656
.35	2	4754C3771	gazoodi 3652,56	.15	7	4757-9391	door panel 3652
	3	Note: refer to above for fire extinguisher...		.15		4758-1501	door panel 3656
.55	4	4754B3411	cabinet side 3652, 56	.10	8	4748A3951	door pull (includes screws,
				.10	9	4745C26188	hinge (spring loaded)



Flat Rate	Code	Part #	Description	Flat Rate	Code	Part #	Description
.75	1	4754D0511	hutch top	.55	6	4754D0521	hutch side
.30		4060462506P	t-molding pkg. (9' pc.)	.65	7	4716D0151	3/8" f-channel 24" pc.
.20	2	4752-2361	15 amp receptacle	.50	8	4754E0491	hutch front "small"
.10	3	4737A5558	fire extinguisher	.15	9	4757A3211	door panel x4
.05	4	4716-1191	fire extinguisher strap m2	.10	10	4748A3951	door pull (includes screws)
.15	5	4737B4198	recessed mount	.10	11	4745C26188	hinge (spring loaded)
		4738-3088	screw x6	1.00	12	4757A3391	hutch front "large"
				.50	13	4754C054	3/8" h-channel 22 1/8" pc.

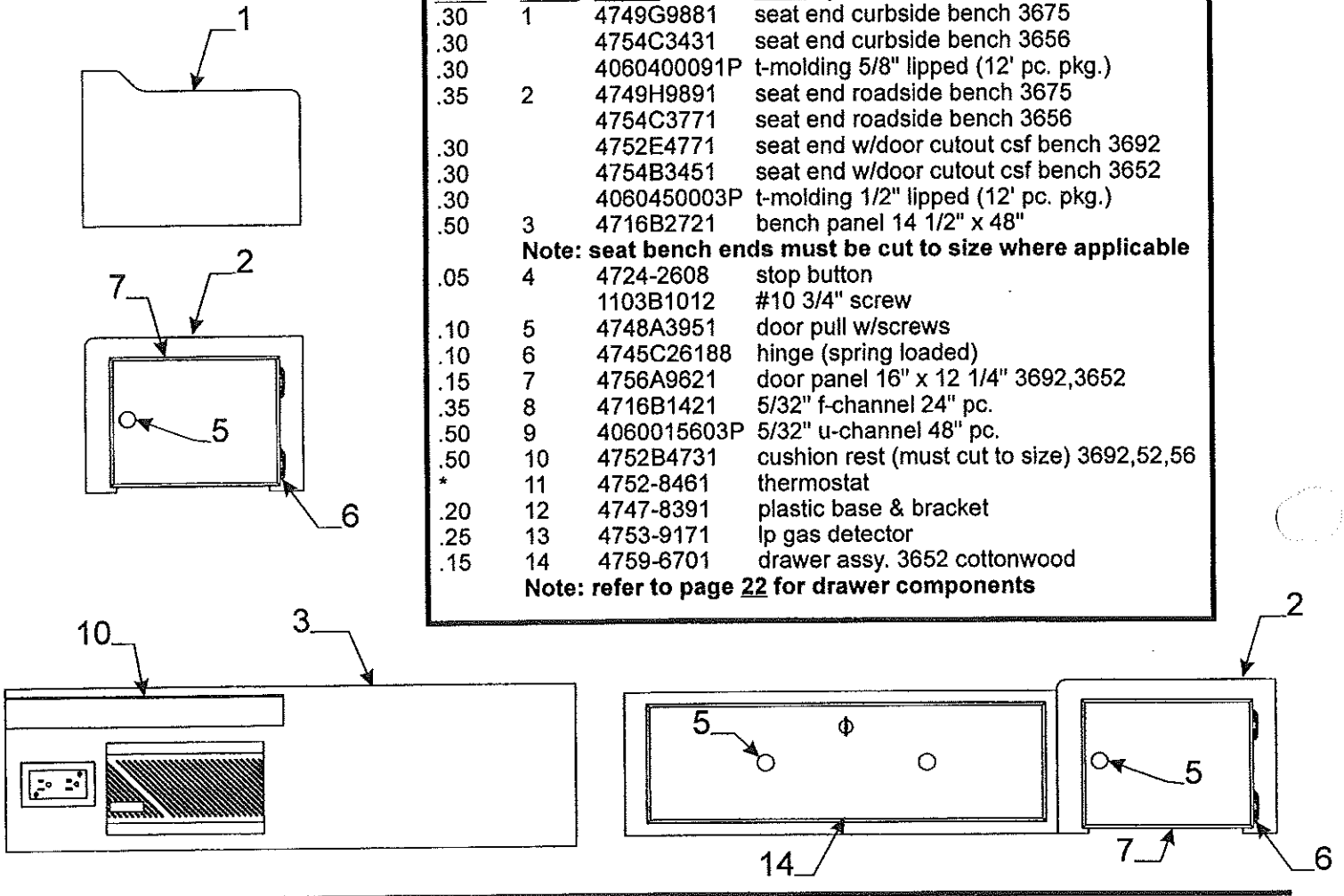


Flat Rate	Code	Part #	Description	Flat Rate	Code	Part #	Description
.75	1	4757-9871	hutch top "right"	.15	9	4759-6701	drawer assy.
.30		4060462506P	t-molding pkg. (9' pc.)	.15	10	4757A9081	brass thumb turn lock
.75	2	4757-9921	hutch top "left"	.10	11	4748A3951	door pull w/screw
.30		4060462506P	t-molding pkg. (9' pc.)	.10	12	4757-8911	drawer roller guide m2
.75	3	4757A3461	cabinet bulkhead	1.25	13	4757-9861	hutch frt. rt.
.30		4060400087P	t-molding pkg. (12' pc.)	1.00	14	4753B8201	converter 20 amp
.35	4	4746B3841	GFI receptacle	.15	15	4757-9911	door pnl. 9 1/4" x 11 1/2"
.15	5	4757A4041	door pnl. 12" x 9 1/8"	.15	16	4757-9481	door pnl. 9 1/4" x 30 1/4"
.10	6	4743-3551	furnace grill	.10	17	4745C26188	hinge (spring loaded)
.15	7	4757A4051	door pnl. 8 3/4" x 18 1/2"	.10	18	4757-9931	hutch frt. lt.
.15	8	4757A3211	door pnl. 11 3/4" x 18 1/2"				

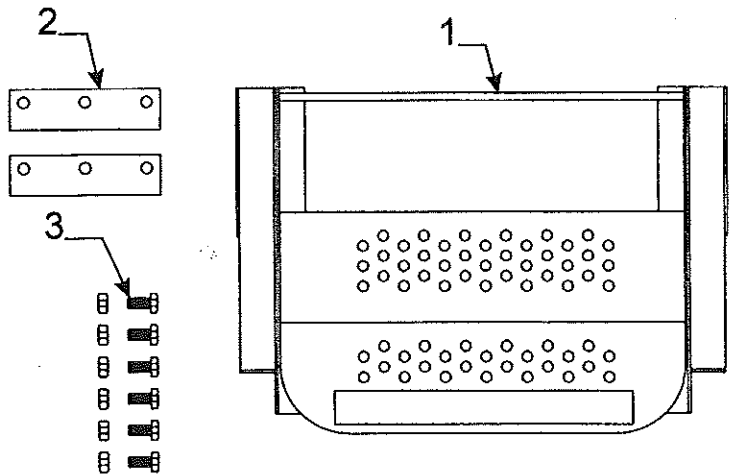


* Warranted Through Vendor

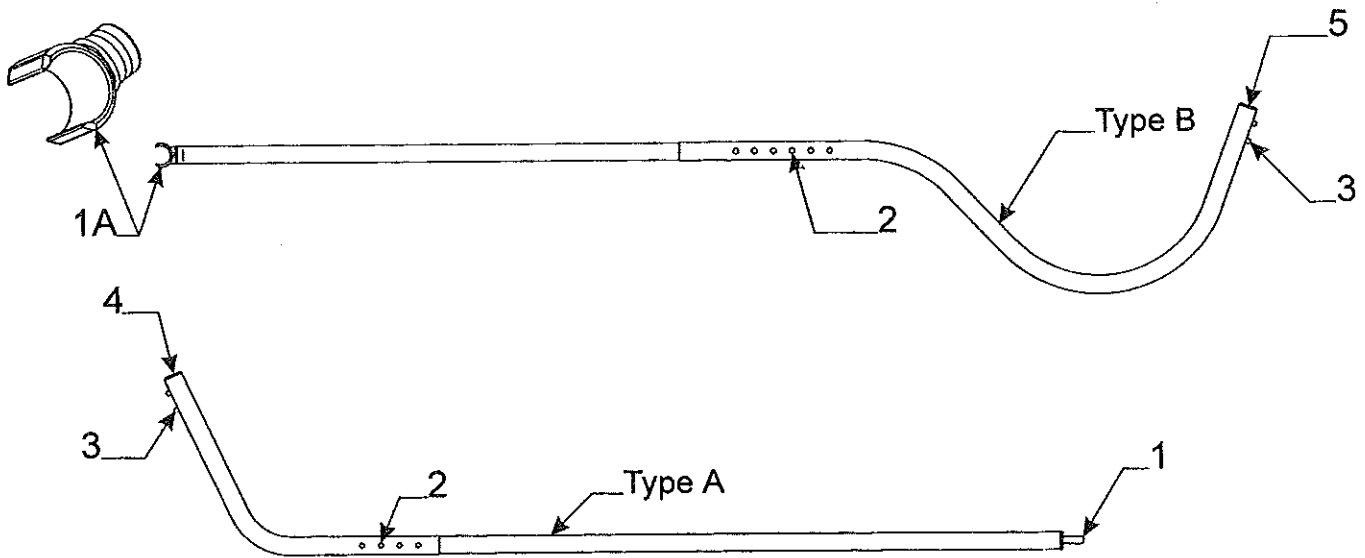
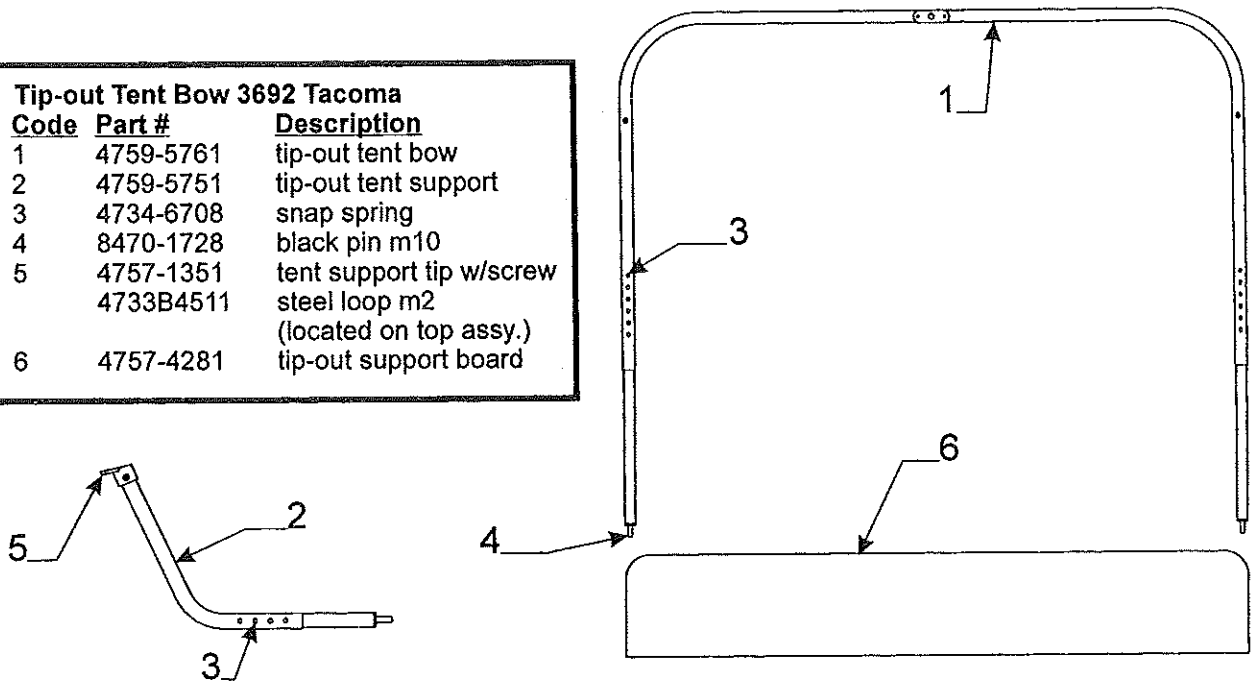
Flat Rate	Code	Part #	Description
.30	1	4749G9881	seat end curbside bench 3675
.30		4754C3431	seat end curbside bench 3656
.30		4060400091P	t-molding 5/8" lipped (12' pc. pkg.)
.35	2	4749H9891	seat end roadside bench 3675
		4754C3771	seat end roadside bench 3656
.30		4752E4771	seat end w/door cutout csf bench 3692
.30		4754B3451	seat end w/door cutout csf bench 3652
.30		4060450003P	t-molding 1/2" lipped (12' pc. pkg.)
.50	3	4716B2721	bench panel 14 1/2" x 48"
Note: seat bench ends must be cut to size where applicable			
.05	4	4724-2608	stop button
		1103B1012	#10 3/4" screw
.10	5	4748A3951	door pull w/screws
.10	6	4745C26188	hinge (spring loaded)
.15	7	4756A9621	door panel 16" x 12 1/4" 3692,3652
.35	8	4716B1421	5/32" f-channel 24" pc.
.50	9	4060015603P	5/32" u-channel 48" pc.
.50	10	4752B4731	cushion rest (must cut to size) 3692,52,56
*	11	4752-8461	thermostat
.20	12	4747-8391	plastic base & bracket
.25	13	4753-9171	lp gas detector
.15	14	4759-6701	drawer assy. 3652 cottonwood
Note: refer to page 22 for drawer components			



Flat Rate	Step	Code	Part #	Description
.50	1		4747A9741	step
	2		4750-3361	step shim x2
	3		1200B3048	bolt x6
			1201B6068	nut x6

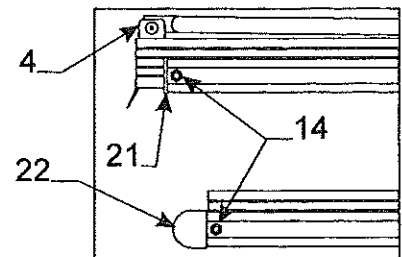
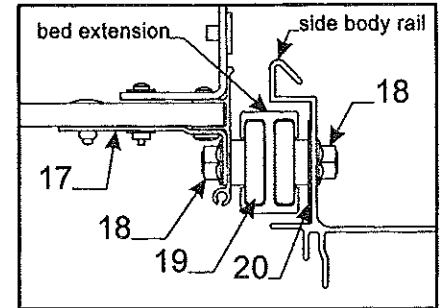
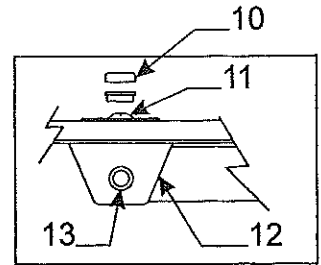
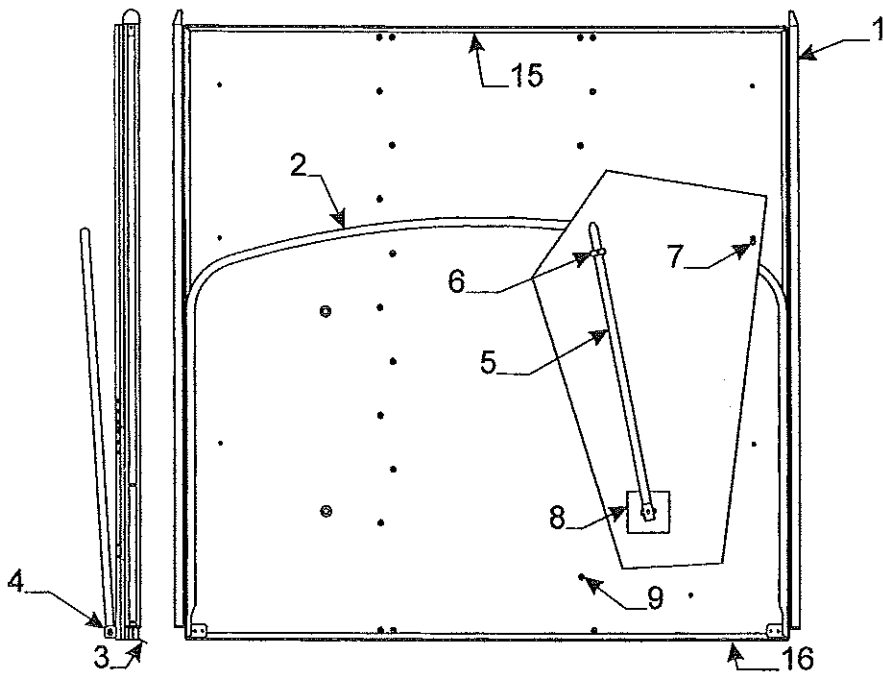


Flat Rate	Code	Part #	Description
.10	1	4759-5761	tip-out tent bow
.05	2	4759-5751	tip-out tent support
	3	4734-6708	snap spring
.20	4	8470-1728	black pin m10
.10	5	4757-1351	tent support tip w/screw
		4733B4511	steel loop m2 (located on top assy.)
.10	6	4757-4281	tip-out support board



Flat Rate	Code	Part #	Description
.20	1	8470-1728	pole pin "black" m10
.20	1A	4757-4301	tent support clasp m10
.10	2	4734-6708	spring assy.
.10	3	4734A6708	spring assy.
.10	4	4730B4648	tube closure "white"
.10	5	4752A0561	tube closure "black" m2

Tent Support Assemblies (Complete)				
Flat Rate .10 per Tent Support				
Model	Type	Front Bed	Type	Rear Bed
3675 Taos	A	4747A5731	A	4747A5731
3676,52,53	B	4759-6971	B	4759-6891
3654,3692	B	4759-6971	B	4759-6971
3656 Yuma	B	4759-6891	B	4759-6891

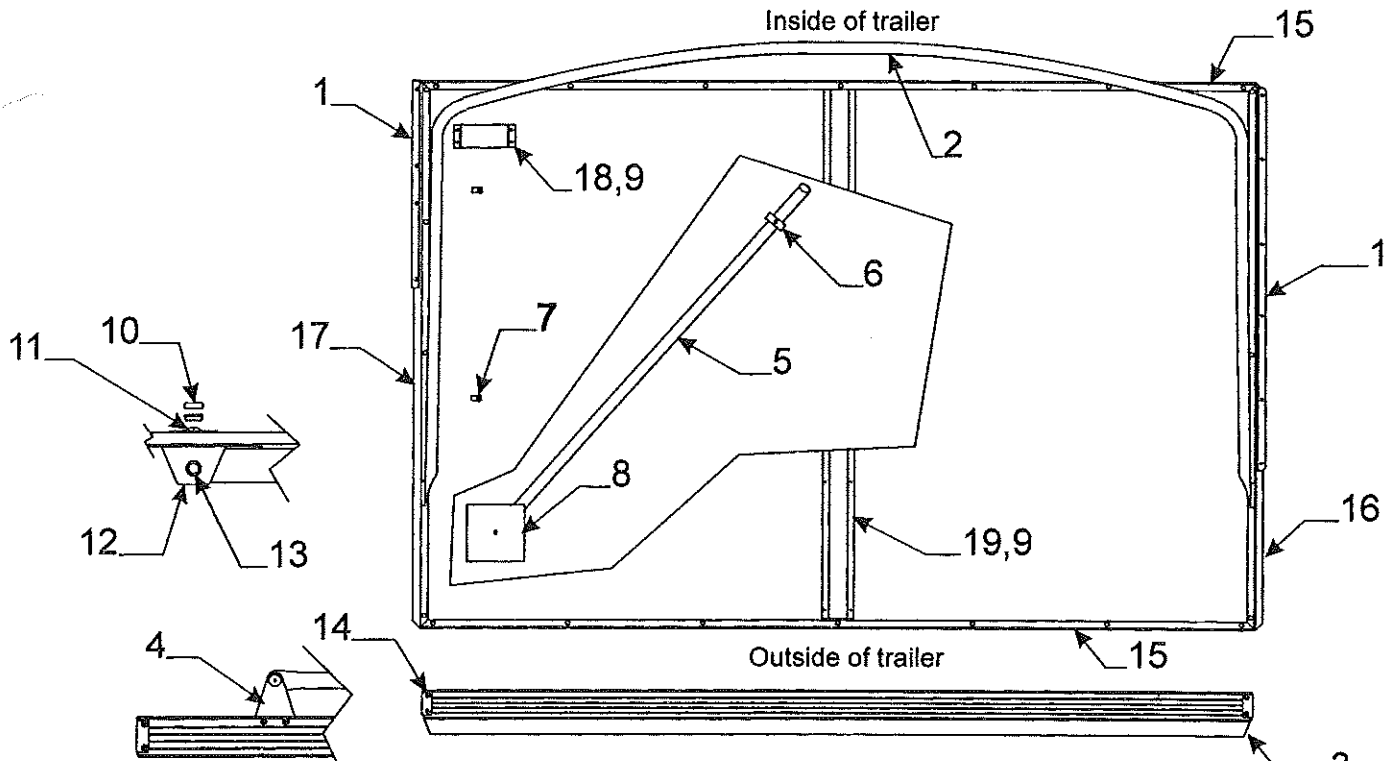


- | | | |
|------------|-----------|--|
| 3676,52,92 | 4755C5161 | Front Bed Assy. "Complete"(king) F. R. - .75 |
| 3653 | 4767-5271 | Front Bed Assy. "Complete"(king) F. R. - .75 |
| 3654 | 4767-5261 | Front Bed Assy. "Complete"(king) F. R. - .75 |
| 3656 | 4767-5701 | Front Bed Assy. "Complete" (double) F. R. - .75 |
| 3656 | 4767-5281 | Rear Bed Assy. "Complete" (double) F.R. .75 |
| 3676,52,53 | 4754E5701 | Rear Bed Assy. "Complete" (double) F. R. - .75 |
| 3654,92 | 4754E5691 | Rear Bed Assy. "Complete" (king) F.R. - .75 |

Flat Rate	Front/Rear Bed Assy. Components 3652, 53, 54, 56, 76, 92	Code	Part #	Description
**		1	4716U4031	bed extension (x2 per bed)
			Note: must cut to size if needed for rear bed assy.	
.25		2	4714C1901	tent bow/leg package
.25		3	4060300339P	vinyl bed seal pkg. (8' pc.)
.15		4	4720K5631	bed bow bracket M2
.05			4757-9241	1 1/2" nylon fender washer m4
.20		5	4734E5881	bed leg assy. m2 (x2 frt. all/rear 3656,76)
.20			4753-3811	bed leg assy. (x2 rear bed 3652,53,54,92)
.15		6	4720C0771	bed leg clip m4
			1203-8831	rivet m25 (rivet clip to bed)
.15		7	4720D4021	lashing hook m6
			1203-8741	rivet m25 (rivet hook to bed)
.20		8	4737A4178	support plate
		9	1203C8721	rivet m25
		10	4739E2908	screw cap m10
			4739-2918	screw cap washer m10
		11	4716-074	screw
			1202B2528	washer
.20		12	4734A5141	bed leg bracket
		13	4720A2361	rod & pal nut
.20		14	1034B16128	flat head screw
			1201B6378	lock nut
1.50		15	4744D9991	inside bed frame (front bed 3654,92)
1.50			4739C4631	inside bed frame (front/rear bed 3656)
1.50			4720G1181	inside bed frame (rear bed 3676,52,53)
1.50		16	4744D9991	outside bed frame (front bed 3654,92)
1.50			4720G1181	outside bed frame (front/rear bed 3656,76,52,53)
.20		17	4755A2591	bed brkt. w/mounting hardware x4
		18	4739-2298	lock nut
.50		19	4754-8101	bed roller, nut, bolt, & washer pkg.
.15		20	1202B2908	washer
.15		21	4754-8631	bed slide end cap
.15		22	4754-4821	bed slide wedge

** .50 first extension

** .25 second extension

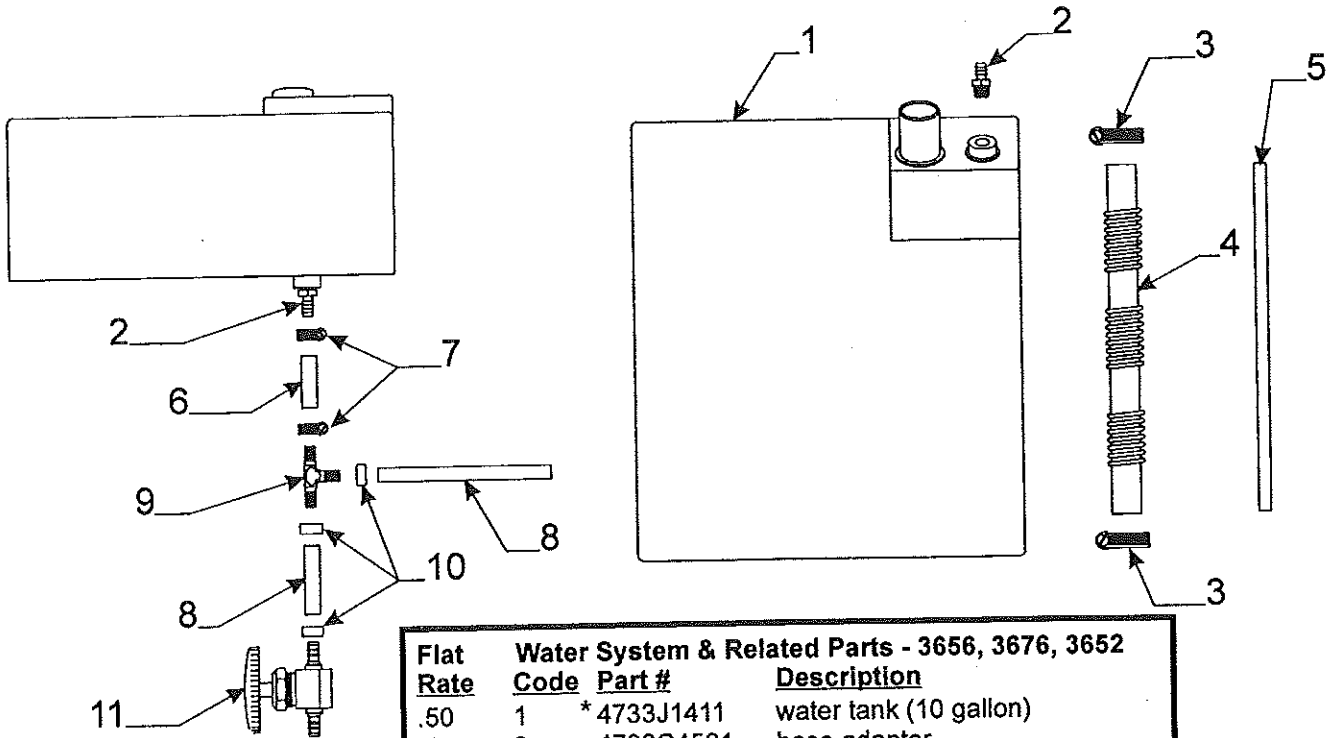


3675 Taos - 4747E5201 front bed assy. "complete" (double) F.R. - .50
 3675 Taos - 4747E5481 rear bed assy. "complete" (double) F.R. - .50

Flat Rate	Frnt. & Rear Bed Assy. Code	Components Part #	Description	Flat Rate	Code	Part #	Description
.40	1	4747C4051	plastic bed slide 18"		9	1203C8721	rivet m25
.40		4747C3691	plastic bed slide 40"		10	4739E2908	screw cap m10
		4752-3061	rivet m25			4739-2918	screw cap washer m10
.25	2	4714A1901	tent bow/leg package		11	4716-074	screw
.25	3	4060300339P	vinyl bed seal pkg. (8' pc.)			1202B2528	washer
.15	4	4720G5631	bed bow bracket x2	.20	12	4734A5141	bed leg bracket
.20	5	4734E5881	rear bed leg assy. m2		13	4720A2361	rod & pal nut
.20		4750-6171	front bed leg assy. x2	.20	14	4747A3221	corner angle x4
.15	6	4720C0771	bed leg clip m4			1203-8641	rivet m25
		1203-8831	rivet m25	.50	15	4747A3241	front & rear bed frame
.15	7	4720D4021	lashing hook m6	.60	16	4747A3231	side rail csr/rsf
		1203-8741	rivet m25	.60	17	4749A8151	side rail csf/rsr
.20	8	4737A4178	support plate	.20	18	4749A4891	bed stop
				.40	19	4747A1161	bed channel

Mattress Assemblies & Covers Flat Rate .50 per cover			Flat Rate .10 Matt assy.		
Model	Frnt. Matt. assy.	Frnt. Matt. Cover	Model	Rear Matt. assy.	Rear Matt. Cover
3675 Taos	4749L6361	4716L6361	3675 Taos	4749L6361	4716L6361
3676,52,53,54,92	4757A6421	4714A6421	3652,53,56,76	4757C5091	4716C5091
3656 Yuma	4757C5091	4716C5091	3654,92	4757A6421	4714A6421

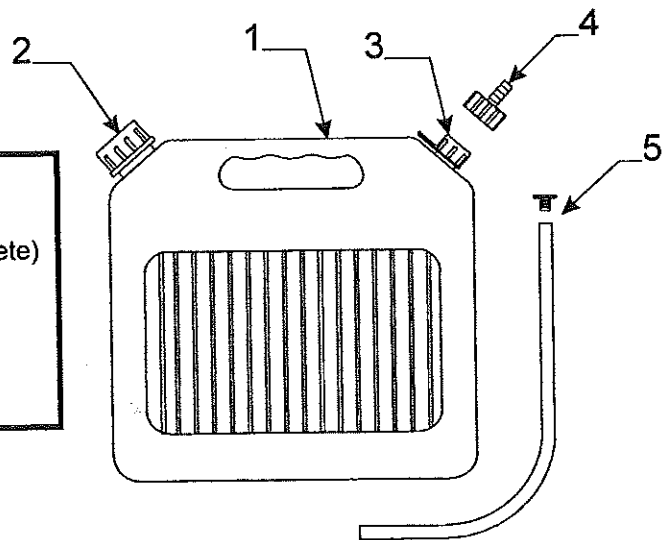
Mattress Assembly Dimensions		
Model	Frnt. Matt. Assy.	Rear Matt. Assy.
3675 Taos	72" x 48" x 3 1/2"	72" x 48" x 3 1/2"
3676,52,53	77" x 70" x 3 1/2"	77" x 48" x 3 1/2"
3654,3692	77" x 70" x 3 1/2"	77" x 70" x 3 1/2"
3656 Yuma	77" x 48" x 3 1/2"	77" x 48" x 3 1/2"

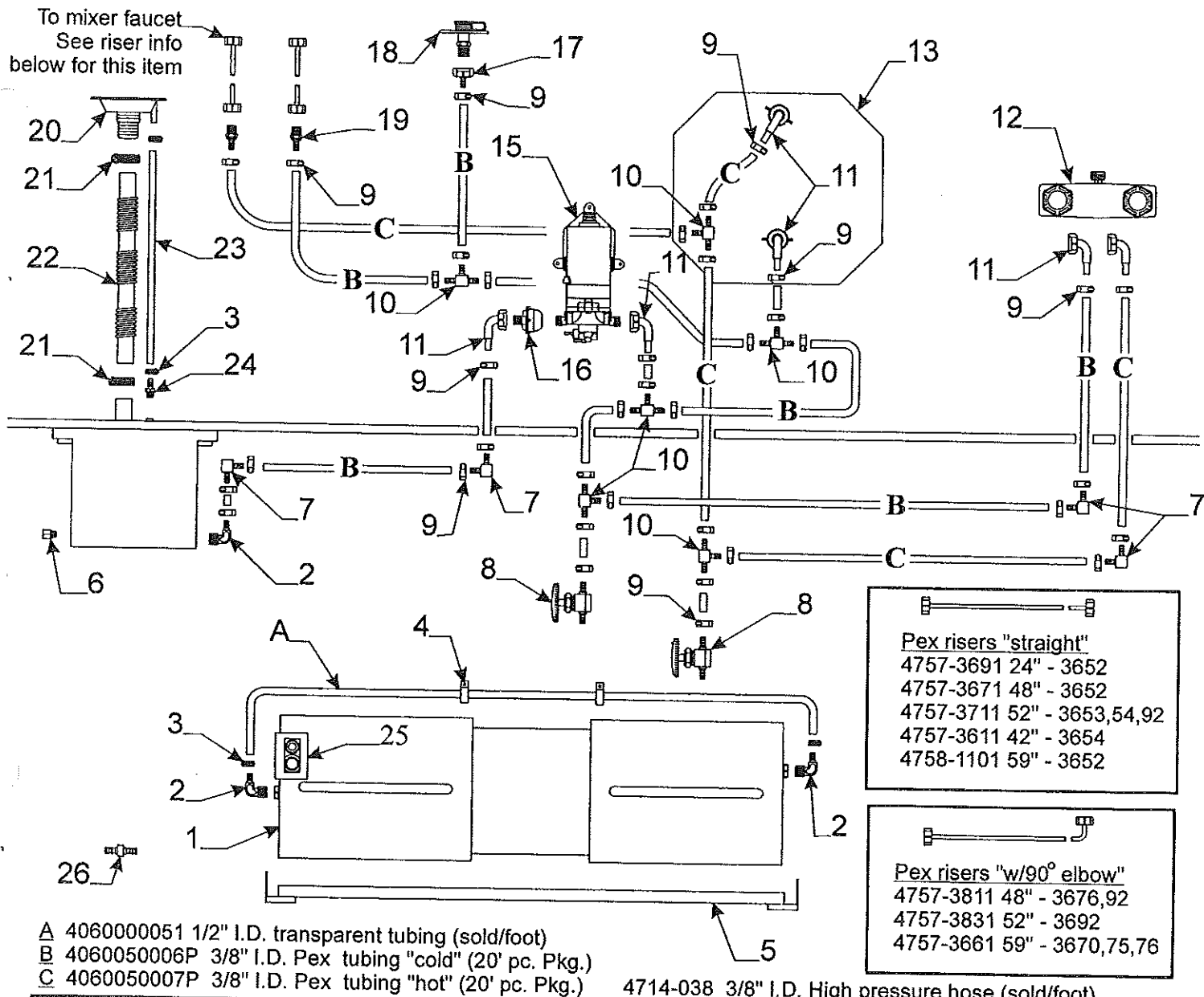


Water System & Related Parts - 3656, 3676, 3652			
Flat Rate	Code	Part #	Description
.50	1	* 4733J1411	water tank (10 gallon)
.15	2	4732C4561	hose adapter
	3	4715-4501	1 1/4" hose clamp
.35	4	4731H1081	water fill hose 24" pc.
	5	4060050003F	1/2" h.p. hose (sold/foot)
	6	4714-038	3/8" h.p. hose (sold/foot)
	7	4731-3058	adjustable hose clamp
	8	4060050006P	pex tubing "cold" (20' pc. pkg.)
.25	9	4741C2381	barbed tee "brass"
	10	4741A2751	stainless steel clamp m100
.20	11	4741D2361	line drain "brass"

* Note: 3652 Cottonwood w/factory installed hot water will use water tank 4757A0471

Portable Water Tank 3675 Taos			
Flat Rate	Code	Part #	Description
.10	1	4735-2131	water tank 5 gal. (complete)
		4735C0988	water tank decal
	2	4714-0231	large cap
	3	4714-0221	small cap & strap
	4	4714-0241	barb stem & collar
	5	4714A0671	suction stem

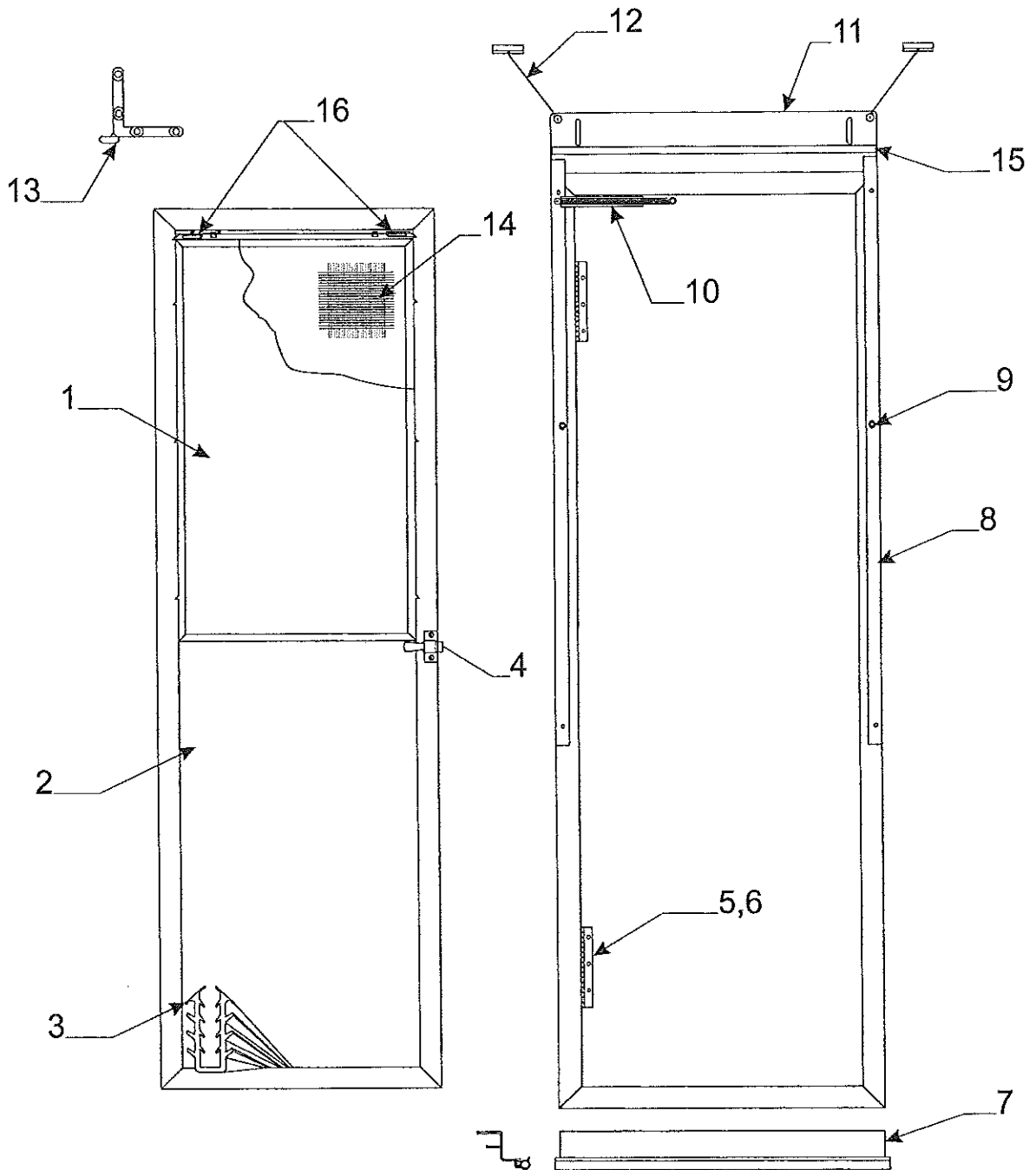




Flat Rate	Code	Part #	Description	Flat Rate	Code	Part #	Description
1.50	1	4756A2731	water tank 3654	*	13	4750-3421	water heater (hot water units)
1.50	**	4757A0471	water tank 3652,53,92		14		
1.50		4757B0521	water tank 3653 non hot water	.50	15	4741C5571	electric water pump
.25	2	4741C2371	elbow "plastic"	.25	16	4747A8311	water filter
	3	4731-3058	adjustable hose clamp 3/8"	.20	17	4741A9561	female adapter "copper"
	4	1201-8658	tube clamp	.30	18	4732F1521	city fill
.20	5	4755A6581	tank hanger 3654	.20	19	4757-3631	brass adapter 3/8" barb "Pex"
.20	**	4758-5381	tank hanger x2 3652,53,92	.30	20	4731D1711	fill spout
.15	6	1218-7001	plug		21	4715-4501	adjustable hose clamp
.25	7	4741C2391	brass elbow "Pex" m2	.35	22	4731H1081	water fill hose (3' pc.)
.20	8	4741D2361	brass line drain "Pex"	.20	23	4060050003F	1/2" h.p. hose (sold/ft.)
.25	9	4741A2751	stainless steel clamp m100	.15	24	4732B4561	hose adapter
.25	10	4741C2381	brass tee "Pex" m10	.50	25	4742A8631	tank gasket
.20	11	4741B9061	copper swivel elbow		26	4755-4821	brass barbed union m10
.50	12	4741B2071	shower diverter				

** Used on 3652, 3653 with factory installed hot water

* Warranted By Vendor



.30 Flat Rate Screen Door Complete

Note: parts marked w/* asterisk are not included w/screen door

4757D5191 Screen Door Assy. (All)							
Flat Rate	Code	Part #	Description	Flat Rate	Code	Part #	Description
.10	1	4716E3401	top sliding window pane	.05	9	4730A3548	stud w/screw x2
.40	2	4754B1541	stationary window pane	.20	10	4731A8201	spring package
.15	3	4060000086F	rubber seal (sold/foot) Note: around perimeter of window pane	.30	11	** 4758A0571	top bracket (all except Taos)
.15	4	*4742-9671	door latch assembly	.30		** 4758A0561	top bracket (Taos only)
.15	5	4720C3601	hinge x2	.15	12	4734D5211	cabl assy. m6
	6	1203-8641	rivet m25	.50	13	4710-3791	corner brace hinge m2
.25	7	*4747A5621	screen door support	.75	14	4716-1381	screened stationary pane
		*4060000399F	rubber seal (sold/foot)	.10		4716-1111	screening 36" x 18 1/2"
.20	8	4754-3811	vel-stick (pkg. of 2)	.50	15	4060000023P	d-seal "white" (5' pkg.)
					16	4716-3811	window lock pkg. rt./lt.

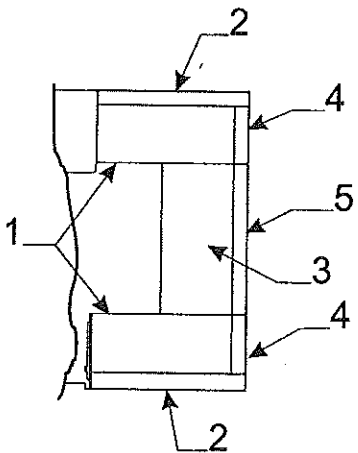
** NOTE: TOP BRKT. INCLUDES (2) PLASTIC LATCHES & LATCH MOUNTING HARDWARE

Dinette Area Cushion/Backrest Assemblies & Covers - 2002 Destiny series Flat Rate .10 Assembly - .25 Cover

Model	Cushion Assembly	Cushion Cover	Model	Backrest Assembly	Backrest Cover
3675 Taos	4749M6581	4716M6581	3675 Taos	4749M6571	4716M6571
3676, 3653	4754A5221	4714A5221	3676, 3653	4759A5231	4714A5231
3652, 3656	4759-6531	4716-6531	3652, 3656	4767-5421	4714-5421
3654,3692	4756D5571	4714D5571	3654, 3692	4758A6721	4716A6721

Plastic Cushion Button x2 - 4710-2681 m5

Dinette Cushion/Backrest Dimensions		
Model	Cushion Assembly	Backrest Assembly
3675 Taos	40 5/8" x 21" x 4"	40 5/8" x 15 1/2" x 4"
3676,3653	43 1/4" x 19 3/8" x 4"	42 3/4" x 16 3/8" x 4"
3652, 3656	40 5/8" x 22" x 4"	40 5/8" x 18" x 4"
3654,3692	39 1/2" x 18" x 4"	38 1/2" x 15" x 4"



Refer above for 3692,3652 for dinette cushion/backrest

Flat Rate	Cushion & Backrest Assy.'s	Code	Part #	Description
.10	1	4753F6021		cushion assy. 3692 41" x 19 5/8" x 4"
.25		4716F6021		cushion cover 3692
.10		4759-6541		cushion assy. 3652 33 1/4" x 20 1/8"
.25		4716-6541		cushion cover 3652
.10	2	4753E6071		backrest assy. 3692 41 3/8" x 13 3/8" x 4"
.25		4716E6071		backrest cover 3692
.10		4759-6551		backrest assy. 3652 33" x 12 3/8"
.25		4716-6551		backrest cover 3652
.10	3	4759A5771		cushion assy. 3692 41 3/8" x 19" x 4"
.25		4716A5771		cushion cover 3692
.10		4759-6571		cushion assy. 3652 40 5/8" x 17"
.25		4714-6571		cushion cover 3652
.10	4	4756D5401		backrest assy. 3692 14" x 13 3/8" x 4"
.25		4716D5401		backrest cover 3692
.10		4759-6561		backrest assy. 3652 15" x 12 3/8"
.25		4716-6561		backrest cover 3652
.10	5	4759A5791		backrest assy. 3692 41 3/8" x 17 3/4" x 4"
.25		4716A5791		backrest cover 3692
.10		4759-6521		backrest assy. 3652 40 5/8" x 16 3/8"
.25		4716-6521		backrest cover 3652

Drape Package (Less Valance Pkg.)

Note: Package includes privacy curtains

Model	Drape Pkg.	# Of Panels	Flat Rate
3675 Taos	4724M8361	8	.30
3676, 3652	4759A5211	9	.30
3656 Yuma	4767-5821	8	.30
3653 Laramie	4767-5381	7	.30
3654 Fairlake	4767-5401	9	.30
3692 Tacoma	4759A5711	11	.30

Single Drape Panel w/Safety Straps

.15	4716B8731	Single Drape Panel 48" x 48 1/2" - 3675 Taos
.15	4716B8741	Single Drape Panel 35" x 48 1/2" - 3675 Taos
.15	4716B8711	Single Drape Panel 43" x 45" - 3676, 54, 92
.15	4716C8721	Single Drape Panel 35" x 45" - 3656,76
.15	4716B8751	Single Drape Panel 53" x 45" - 3656,52,53,54,92
.15	4716D9151	Single Drape Panel 22" x 45" - 3654,92
.15	4716E9151	Single Drape Panel 15" x 45" - 3692

Drape Tab C-Shape m60 - 4750-2891 Flat Rate - .05

Drape Tie Package (Qty. 1) - 4753E9791 (all) Flat Rate - .05

Privacy Curtain Pks. (Set of 2 Panels)

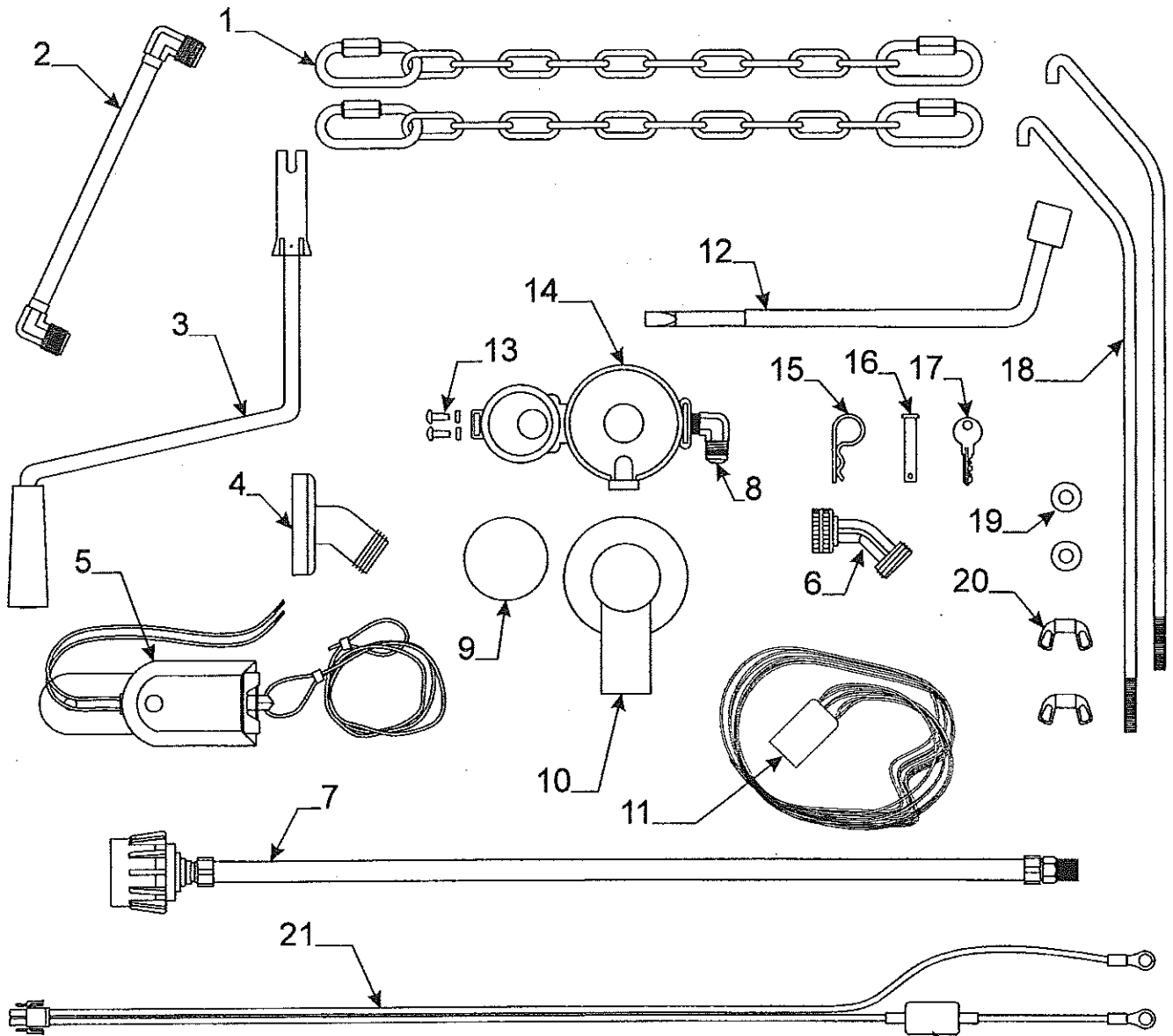
.15	4723B7961 - 3656,76,52,53,54,92
.15	4723M7881 - 3675

Valance Package - 4755C2751 - 3675 Taos
 Flat Rate - .25 4757A3351 - 3652, 3676
 4767-5391 - 3653 Laramie
 4755C2761 - 3656 Yuma
 4757A3011 - 3654,3692

Shower curtain "white vinyl" - 4749A6661 - 3654 Fairlake
 Flat Rate - .20

Shower curtain outer "drape matl." - 4759A5461 - 3654
 Flat Rate - .20

Dressing room curtain - 4758-0711 - 3654 Fairlake
 Flat rate - .20

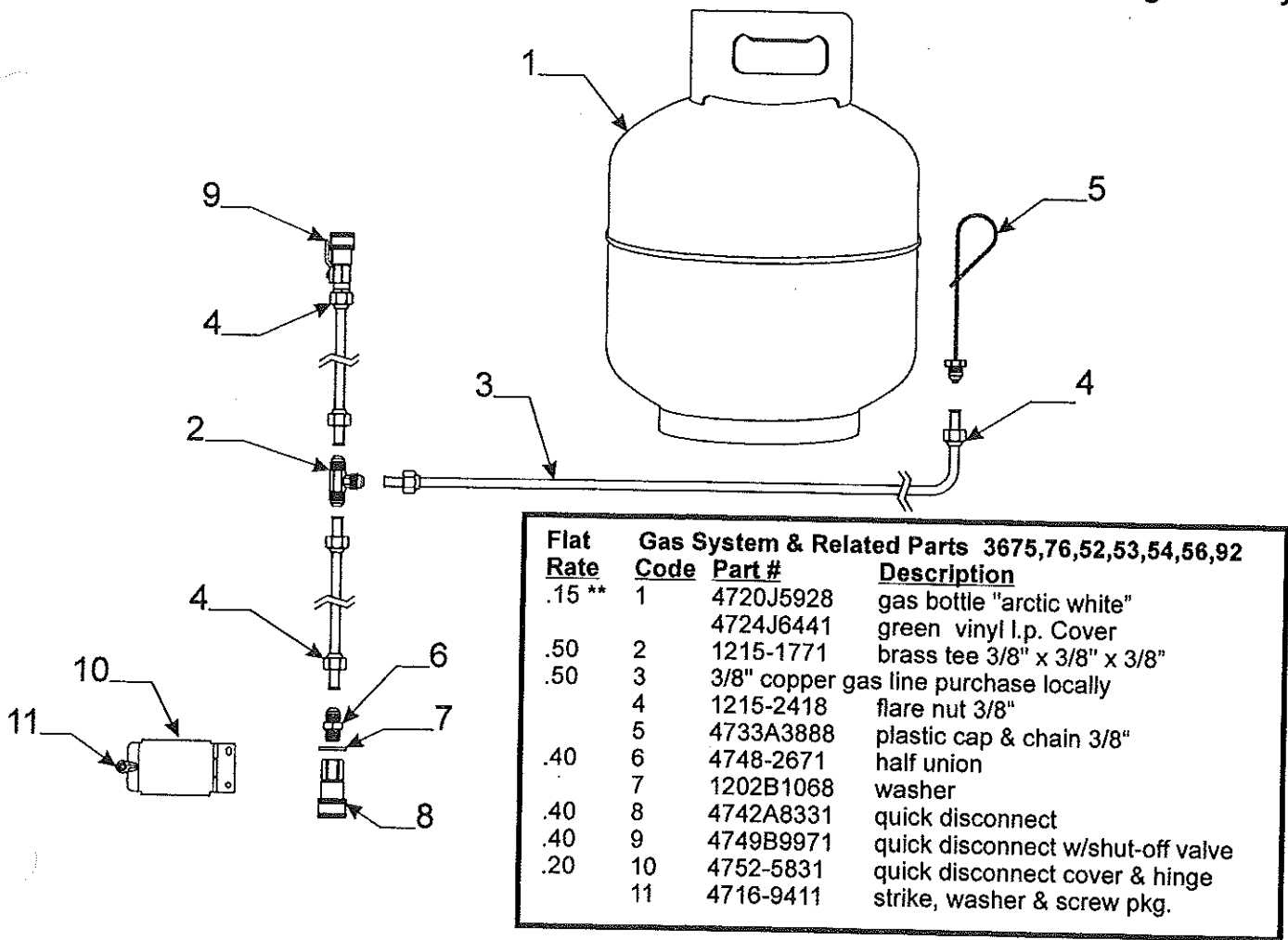


4747J5871 Parts Package 3675 Taos
 4754E85281 Parts Package 3676, 3652, 3653, 3656, 3692
 4758B6551 Parts Package 3654 Fairlake

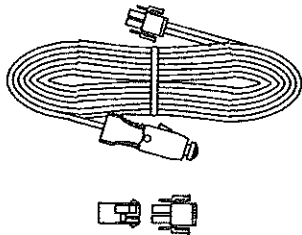
Note: Units 3652,3653,3692 - with factory hot water use 4758B6551 parts package

Flat Rate	Parts Package Code	Component Part #	Description	Code	Part #	Description
	1	4757-3901	29" tow chain w/quick links m2	12	4749A1861	lug nut wrench/stabilizer handle
		4757-3891	quick link (1 per pkg.)	13	1143B10081	mounting screw m2
	2	4746-5381	winterizing adapter		0322A3301	brass spacer m2
	3	4747G4141	crank handle	14	4755-0401	regulator "low pressure"
	4	4737-9138	drain adapter	15	4732A4791	safety pin m10
	5	4746-0401	breakaway switch	16	4771-2631	hitch pin m5
	6	4744-2651	gooseneck	17	4730B3211	key m10 # 8025 (gold plated)
.45	7	4733R3991	gas hose w/acme nut	18	4733G6281	gas bottle mounting brkt. Pkg.
	8	4753-8981	3/8" x 3/8" elbow (non hot water)		Note: pkg. includes (2) brkt.'s ,wing nuts,washers	
		4755-0421	1/2" x 3/8" elbow (hot water)	19	1202B0468	washer x2 m10
	9	4751-9571	round regulator cover	20	1201-6258	wing nut x2
	10	4734C3781	regulator cover	21	4749B5531	battery harness w/circuit breaker m2
.45	11	4735F6741	pigtail 6 prong 3675	22	4751-4811	15 amp circuit breaker

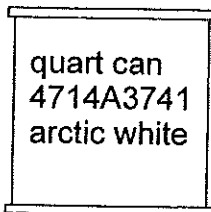
**** Serial Number Of Gas Bottle Must Be Supplied When Submitting Warranty**



4733D6701 auto extension



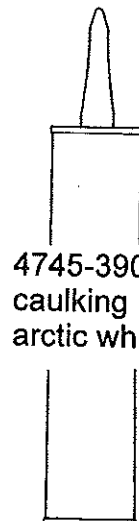
4716A4701 12 volt cap & plug m2



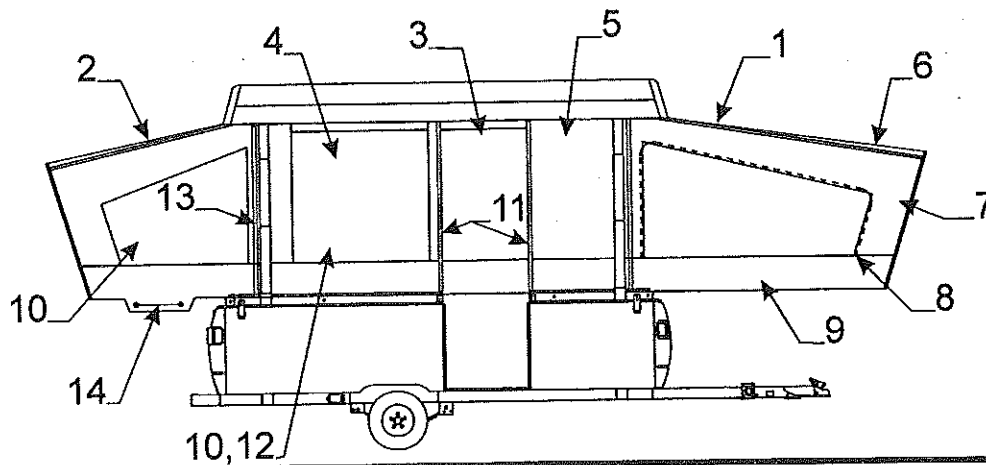
quart can
4714A3741
arctic white



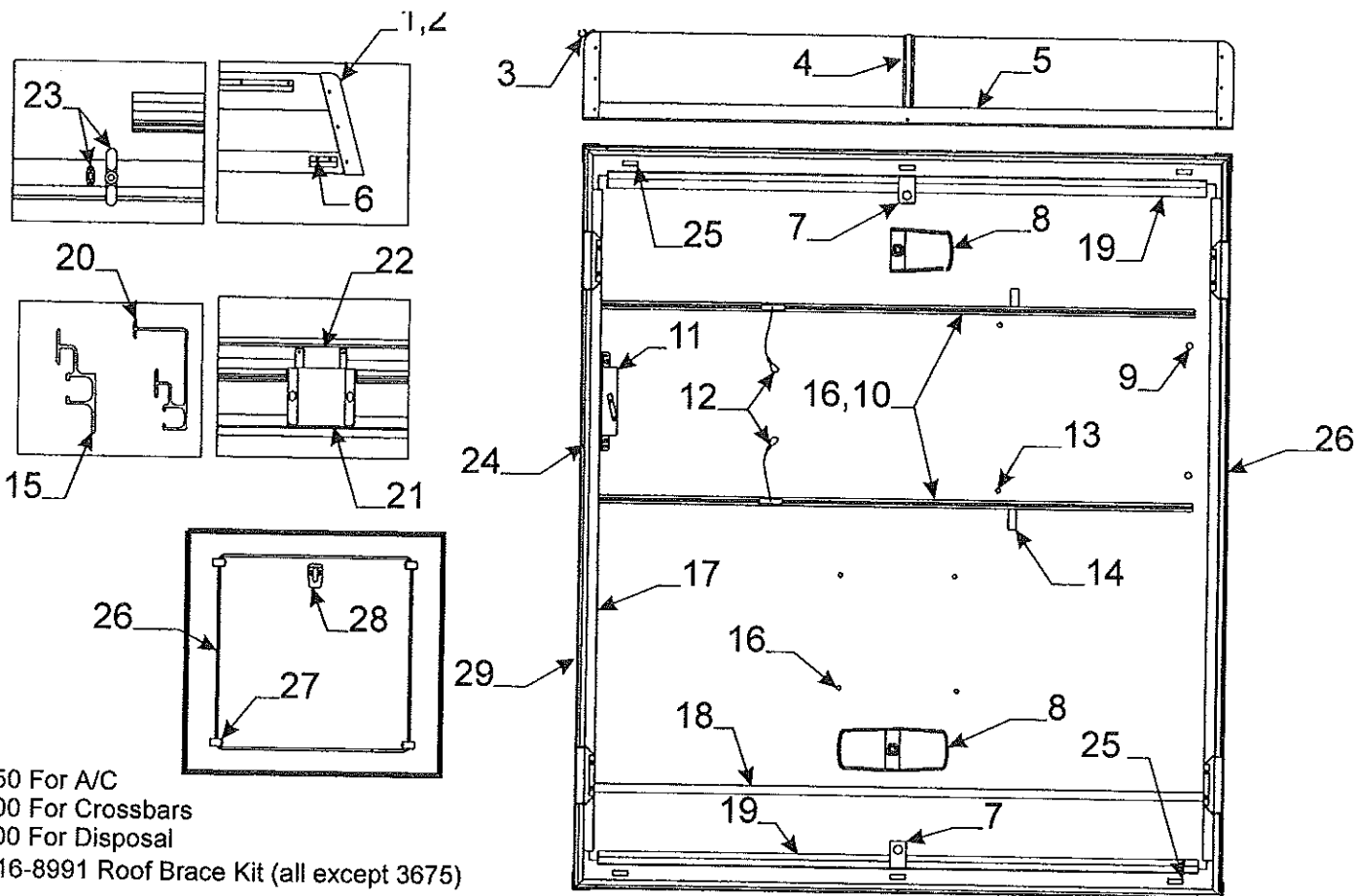
16 oz. spray
0008-2561 arctic white
0008-2571 black
0008-2631 russian maple



4745-3908
caulking
arctic white



Sunbrella Tenting & Components 3675, 76, 52, 53, 54, 56, 92			
Flat Rate	Code	Part #	Description
.40	1	4753E58661	front boot 3676, 52, 53, 54, 92
.40		4756B6081	front boot 3656
.40		4747F6531	front boot 3675
.40	2	4753E58761	rear boot 3676, 52, 53
.40		4756B6081	rear boot 3656
.40		4753E58661	rear boot 3654, 92
.40		4747F6531	rear boot 3675
.20	3	4756B5861	large window 3656
.20		4759A5241	large window 3676, 52, 53
.20		4758A6751	large window 3654
.20		4747G6501	large window 3675
.40		4759B5721	large window "w/tip-out" 3692
.20	4	4756B5871	small window 3656
.20		4759A5251	small window 3676, 3652
.20		4759-6731	small window 3653
.20		4759-6711	small window 3654
.20		4758A6771	small window 3692
.20		4747G6521	small window 3675
.15	5	4756C5881	door seal 3656
.15		4759B5261	door seal 3676,53
.15		4759-6741	door seal 3652
.15		4759-6721	door seal 3654
.15		4758A6861	door seal 3692
.15		4748F6631	door seal 3675
	6	8110101429P	top vinyl pkg. (80" x 3 yards)
	7	4716C0851	sunbrella patch package (12" x 14")
	8	6650500131F	zipper (sold/yard) used around window
		1225A4461	zipper pull m5
	9	8118801450P	bottom vinyl facing pkg. (3 yd. x 80")
	10	4714E1611	screen package (84" x 3 yards)
		4714A0361	screen package (84" x 13 yards)
	11	4350000009P	1" velcro hook (10' pc. Pkg.)
	12	4716-2401	clear window vinyl (41" x 2 yards)
	13	1225G3768	45 1/2" side zipper pin half 3676,52,53,54,56,92
		1225G3758	45 1/2" side zipper slider half 3676,52,53,54,56,92
		1225-3658	52" side zipper pin half 3675 Taos
		1225-3668	52" side zipper slider half 3675 Taos
.50	14	4060000045P	shock cord (150' package)
.50		4714C6021	shock cord & hooks m2 (two 14' lengths)
.15		4724A2011	shock cord termination (plastic hook) m10
	15	4060000024F	arrowhead seal (sold/foot)
.30	16	4735D6721	extension harness 3676,52,53,54,56,92
.30		4757-6101	extension harness 3675 Taos
.50	17	4743-1588	k-kote seam sealer
	18	4728-5641	tent retainer pkg.
.30	19	4710-1001	vinyl daubing "white" m2
.30		4710-1011	vinyl daubing "grey"
.30		4710-1021	vinyl daubing "green" m2



1.50 For A/C
 1.00 For Crossbars
 1.00 For Disposal

4716-8991 Roof Brace Kit (all except 3675)

Rate	Code	Part #	Description	Flat Rate	Code	Part #	Description
		4716U9701	Top Assembly 3675 Taos F.R. - 4.50				
		4716U5101	Top Assembly 3656 Yuma F.R. - 3.00				
		4759B5121	Top Assembly 3676, 3652 F.R.- 3.00				
		4759-6851	Top Assembly 3653 Laramie F.R. - 3.00				
		4759-6691	Top Assembly 3654 Fairlake F.R. - 3.00				
		4759B5601	Top Assembly 3692 Tacoma F.R. - 3.00				
		Flat					
.50	1	4716U1981	top corner pkg. (pkg. of 4)	.15	12	4734D5211	screen door cable m6 (all)
		4350000058F	saturated foam tape (sold/foot)		13	4730A3548	stud w/screw x2
.50	2	4745-3968	screw "painted"		14	4723A5061	strap x2
.50	3	4757-3561	canopy track (must cut to size)	.15	15	4756-0631	tent track (frt./rr.) (all except 3675)
1.00	4	4752-02791	center seam (must cut to size)	.30		4747A1271	tent track (frt./rr.) 3675
		4060400096F	vinyl screw cover (sold/foot)			1103E1018	screw stainless steel
		4741-3508	hex head screw		16	1203-9258	plastic accordion rivet m25
.50	5	4350000058F	saturated foam tape (sold/foot)		17	4754A9831	side cove x2 (must cut to size)
		4756-0681	frt./rr. seal extru.(all except 3675)			4747-2558	expansion rivet m25
.15	6	4741E21381	frt./rr. seal extrusion 3675	.20	18	4350400004F	vinyl tape (sold/foot)
		4750A9581	top strike m2 (all)		19	4756A0671	cove (front/rear) (all except 3675)
		4744C2461	torx head screw "painted" m2			4741G21481	cove (front/rear) 3675
.15	7	1201B6958	nut (x2 per strike)	.30	20	4754A985	tent & val. track (must cut to size)
.15		4741F11381	tent support brkt.			1103E1018	screw stainless steel
.15		4741C9368	screw "painted" x2	.20	21	4747D5521	lift pocket cover x4 (all)
.15	8	4737K5911	single dome light (3675 only)			4741D3558	hole plug x2
.15		4744E4741	double light (all except 3675)	.25	22	4350000005F	velcro loop (sold/yard)
		* 4714J0891	dome light lens	.15		4741B5431	lift pocket x4
		** 4758-1361	dome light lens	.15	23	1201B6378	lock nut (x2 per pocket)
		1103B1028	screw x4			4750-2978	metal screen dr. latch x2
		4737-3211	rubber button m8	.15	23	1203-8951	rivet m25
.30	9	4733H47181	screen door track x2	.15	23	4743-2501	plastic screen dr. latch pkg.
		4744B4611	expansion rivet m25	.50		Note: pkg. includes (2) latches & mounting hardware	
.20	10	4749C5571	screen door bracket		24	4060100399P	rubber top seal (40' package)
		4747-2558	expansion rivet m25		25	4724F2631	velcro hook m6
		4749-2138	snap button m2	.15	26	4755A5231	shower curtain rod 3654
		1203-8631	rivet m25	.20	27	4755-5221	shower rod strap x4 3654
	11			.75	28	4750-1761	shower head brkt. 3654
				.75	29	4747C1291	side seal extrusion 3675
				.75		4757A3171	side seal extrusion 3676,52,53
				.75		4754C9801	side seal extrusion 3654,92
				.75		4756A0701	side seal extrusion 3656

* Note: Used on trailers prior to Oct. 10, 01
 ** Note: Used on trailers after Oct. 10, 01

