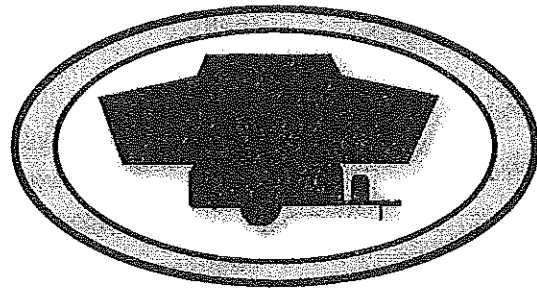
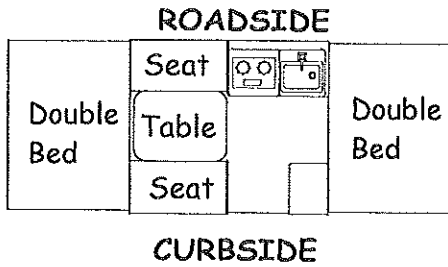


DESTINY SERIES **REPAIR PARTS**
FLEETWOOD
2007 **FOLDING TRAILERS**
CATALOG



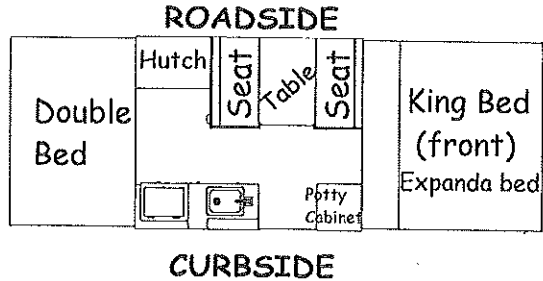
2001 **DESTINY** series

3575 TAOS 8'

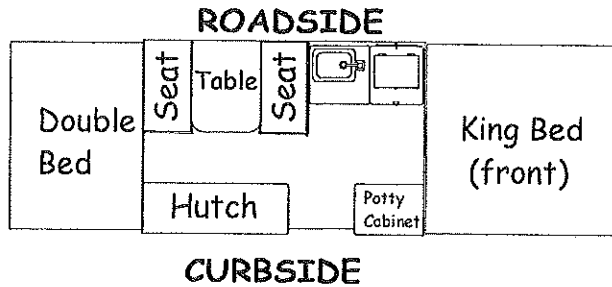


Note: limited production model

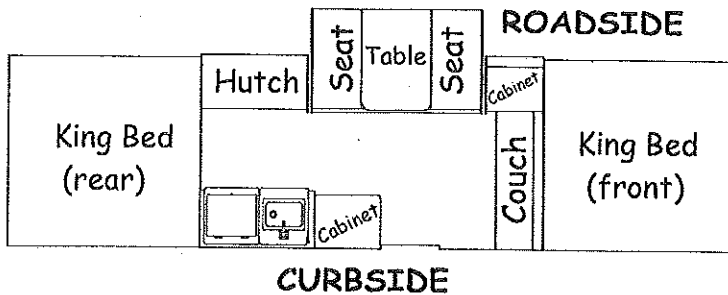
3570 REDWOOD 8 1/2'



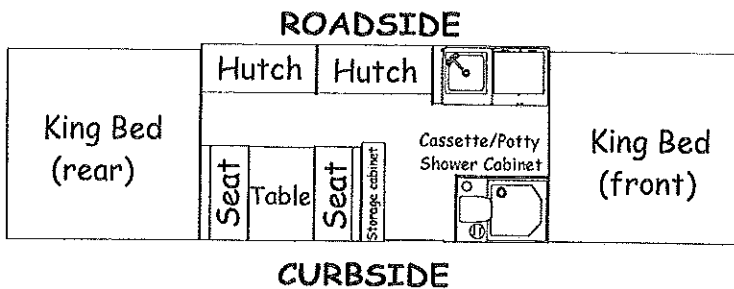
3576 SEDONA 10'



3560 FAIRVIEW 12'



3561 TIMBERLAKE 12'



3592 TACOMA 12'

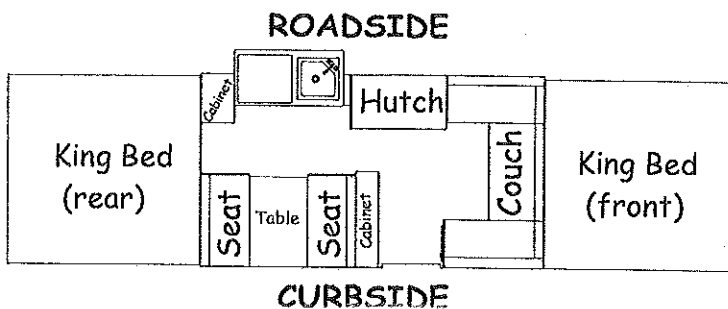
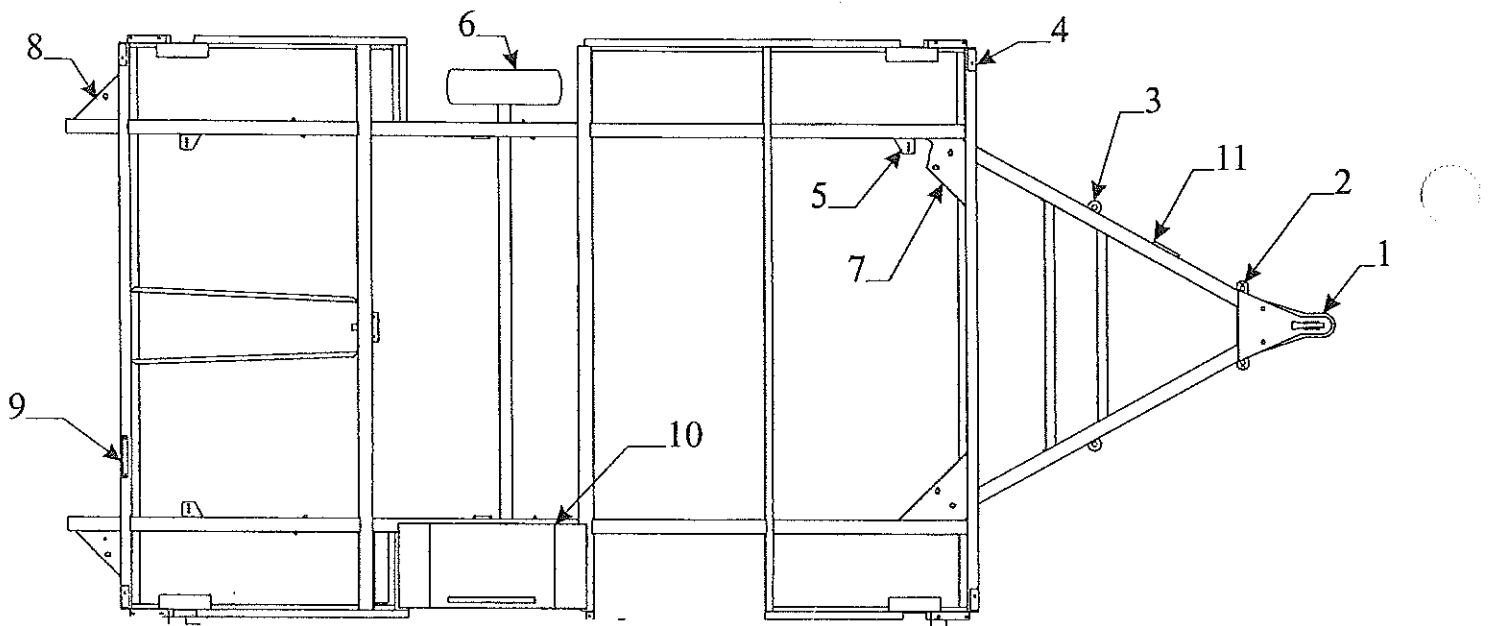


TABLE OF CONTENTS

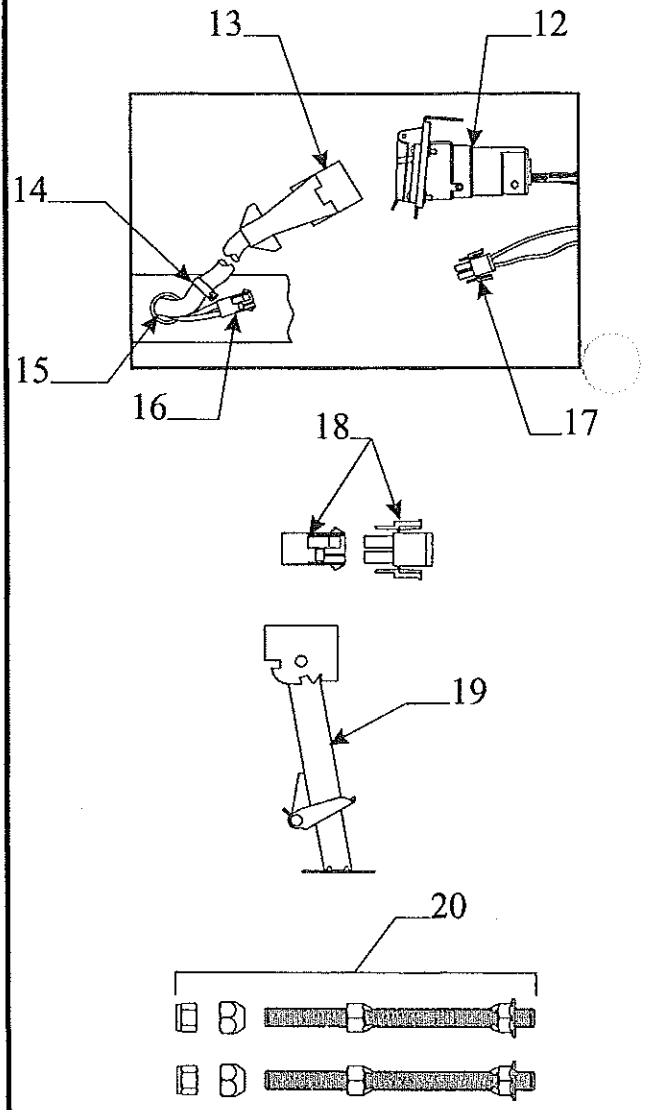
<u>DESCRIPTION</u>	<u>PAGE</u>
Access door key	32
Access door assembly & related parts	9
Auto extension	33
Axle assemblies & related parts	5
Backrest assemblies & covers	31
Bed assemblies	26,27
Bed extensions & related parts	26
Body panel right rear (curbside)	8
Body panel left side (roadside)	10,11
Body panel front & rear (ABS plastic)	7
Body panel right front (curbside)	9
Bumper & related parts	7
Cabinet assembly (corner cabinets)	19
Cabinet assembly (rsf cab. w/flip-up lid 3560) ..	22
Caulking	33
Converter & related parts	23
Cooler (built-in)	18,19
Corner bulkhead assembly	2
Coupler assembly	2
Crank-up/crank-down components	4
Crank handle	32
Cushion assemblies & covers	31
Door bulkheads	8,9
Drain hose (used on sinks)	12
Drape packages & related parts	31
Drawer assembly components	23
Dressing room curtain (3561 Timberlake).....	31
Electric brakes & related parts	6
Fire extinguisher & components	20
Floor covering	2
Frame assembly & related parts	2
Gas detector	24
Gas hose (gas bottle hook-up)	33
Gas bottle mounting brackets	32
Gas quick disconnect (outside stove)	33
Gas bottle cover (black vinyl)	33
Gas bottle & related parts	33
Glide-out tent bow (3560 Fairview)	25
Glide-out & related parts (3560 Fairview)	11
Grease cap (dust cap)	5,6
Hub assembly & related parts	5,6
Hutch assembly (roadside 3570,92)	19
Hutch assembly (roadside 3561)	20
Hutch assembly (curbside 3576 Sedona)	20
Hutch assembly (doorway 3560,3561)	19, 21
Lift assemblies & related parts	3
Lift trim & miter covers	8,9
Lower galley components (3575 Taos)	14
Lower galley components (3576 Sedona)	15
Lower galley components (3570 Redwood)	16
Lower galley components (3592 Tacoma)	17
Lower galley components (3560,3561)	18
Lug wrench	32
Mattress assemblies & covers	26
Paint (spray & quart can)	33
Paneling & trim	23
Parts package & components	32
Pigtail (car end)	2

<u>DESCRIPTION</u>	<u>PAGE</u>
Potty "cassette" (3561 Timberlake)	21
Power cord (converter)	23
Receptacle (exterior)	8
Receptacle (interior)	23
Refrigerator vents	10
Regulator & fittings	32
Safety chains	32
Screen door & related parts	30
Seat bench component parts	24
Shower curtain (3561 Timberlake)	31
Shower curtain rod (3561 Timberlake).....	35
Shower stall w/potty & related parts (3561)	21
Shower head & hose	21
Sink & related parts	12
Spare tire cover (black vinyl)	2
Spare tire mount package	2
Stabilizer assembly	2
Stabilizer handle/lug wrench combo	32
Step components (outside step)	24
Stove components (upper galley's/lift-out).....	13
Table assemblies & related parts	13
Taillights (rear body panel)	7
Tent support assemblies & related parts	25
Tenting & related parts (sunbrella)	34
Thermostat (Hydro Flame)	24
Thrust bearing	4
Tie backs (curtains)	31
Tip-out tent bow and related parts (3592)	25
Tire & rim	2
Tire cover "black vinyl"	2
Tongue jack & related parts	4
Top assemblies & related parts	35
Trim tape kits	8,10
Upper galley assembly (3575 Taos)	14
Upper galley assembly (3576 Sedona)	15
Upper galley assembly (3570 Redwood)	16
Upper galley assembly (3592 Tacoma)	17
Upper galley assembly (3560,61)	18
Valance package	31
Water heater (3561 Timberlake)	29
Water pump & related parts	12
Water system & related parts	28,29
Wheel well	2
Whiffletree & related parts	3
Zippers (tenting assemblies)	34

Axle/Brakes - Dexter	219/295-1900
Converter - Elixir/Centurion	800/848-0558
Furnace - Hydro Flame #7916-11 ...	800/873-4328
Hand pump - Shurflo	800/762-8094
Stove - Atwood Greenbrier	800/646-8557
Refrigerator - Dometic	800/216-5115
Tires - Duro	800/966-8473
Water heater - #5031E	423/775-2131
Cassette Potty - Thetford	800/354-4135
Mixer Faucet - Empire Brass	800/431-6440
Yakima bike rack - to obtain repair parts .	800/925-4621

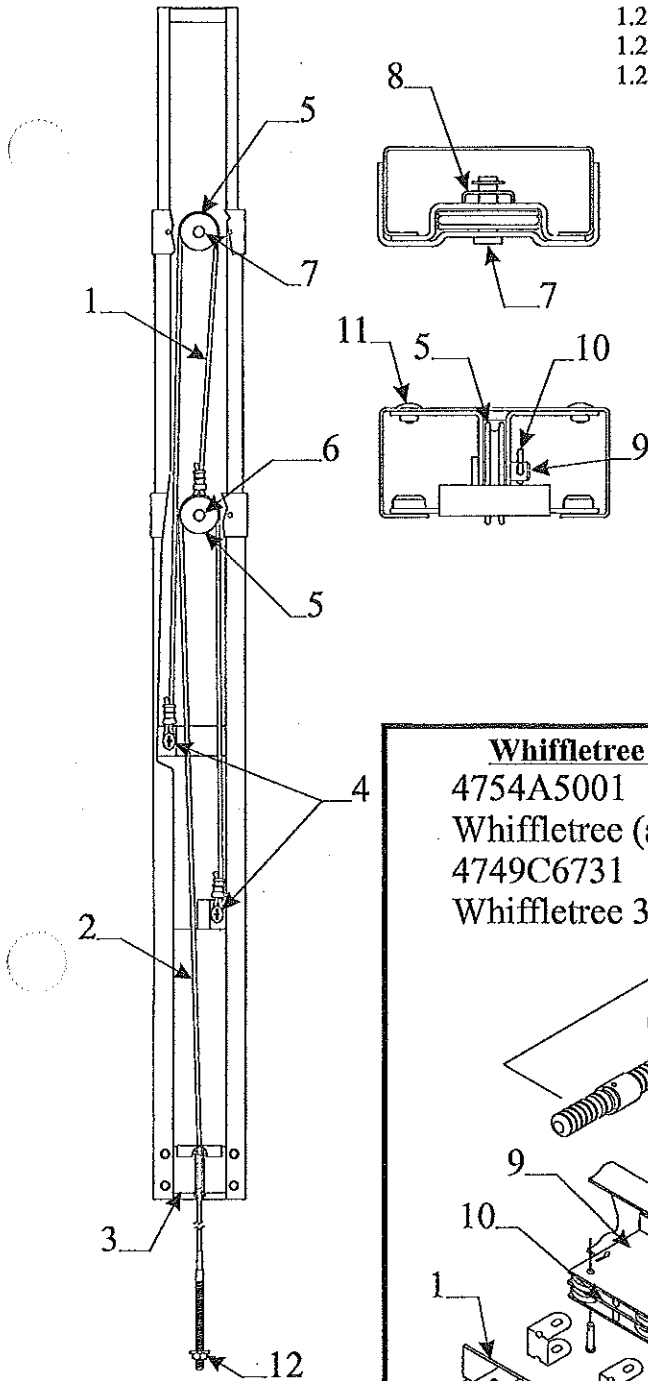


Flat Rate	Code	Part #	Description
1.50	1	4742-2001	coupler assembly
.25		4714A2211	coupler repair kit
.75	2	4748-6611	chain bar w/pins
.10	3	4747-8941	pin cover m2 (plastic)
2.00	4	4758A6681	corner bulkhead csf/rsr (all except Taos)
2.00		4758A6691	corner bulkhead rsf/csr (all except Taos)
2.00		4747A5511	corner bulkhead csr/rsf 3575
2.00		4747A5501	corner bulkhead rsr/csf 3575
		1203C8751	rivet m25 (rivet bulkhead to frame)
.75	5	4732E3671	adjustable pulley brkt. x4
.25		4715A5371	pulley & bearing m10
		4720C1578	short pin m4
		1204B1081	cotter pin m10
.25	6	4753D8168	tire & rim 13" lr "D" 3560
.25		4757-2468	tire & rim 13" lr "C" 3576,61,92
.25		4754B1558	tire & rim 12" lr "C" 3575,70
		4747C4841	black vinyl tire cover 3575,70
		4723D3161	black vinyl tire cover 3576,60,61,92
	7	4749A5861	stabilizer gusset (front) all
	8	4752-6001	stabilizer gusset (rear) all
1.00	9	4754D5101	spare tire support "rear" (all except Taos)
		4747-5101	spare tire mount "front" 3575
2.00	10	4754D0531	wheel well assy. x2 (all except Taos)
2.00		4747A4161	wheel well assembly x2 3575
.75	11	4720B3331	jack bracket (welded to tongue)
	12	4746A5591	pigtail - "car end" (all except Taos)
		4735F6741	pigtail - 6 prong "car end" 3575
	13	4753B3751	trailer harness - (all except Taos)
		4754D6061	trailer wire harness - 6 prong 3575
	14	1201-8738	3/8" clamp
		1203C8721	steel rivet m25
	15	4742-8108	1 1/4" snap bushing
	16	4716A5001	12 volt power harness
.15	17	4749B5531	12 volt wire harness m2 (battery)
	18	4716A4701	12 volt cap & plug m2
.25	19	4720D0731	stabilizer assembly
		4739-2298	nut (x2 per stabilizer)
.25		4751A3351	screw down stabilizer 3570 only
		4716-1231	stabilizer crank handle 3570 only
.25	20	4747B5891	spare tire mount kit (all)
*	21	6610707228P	floor covering pkg. (7 1/2' x 14')

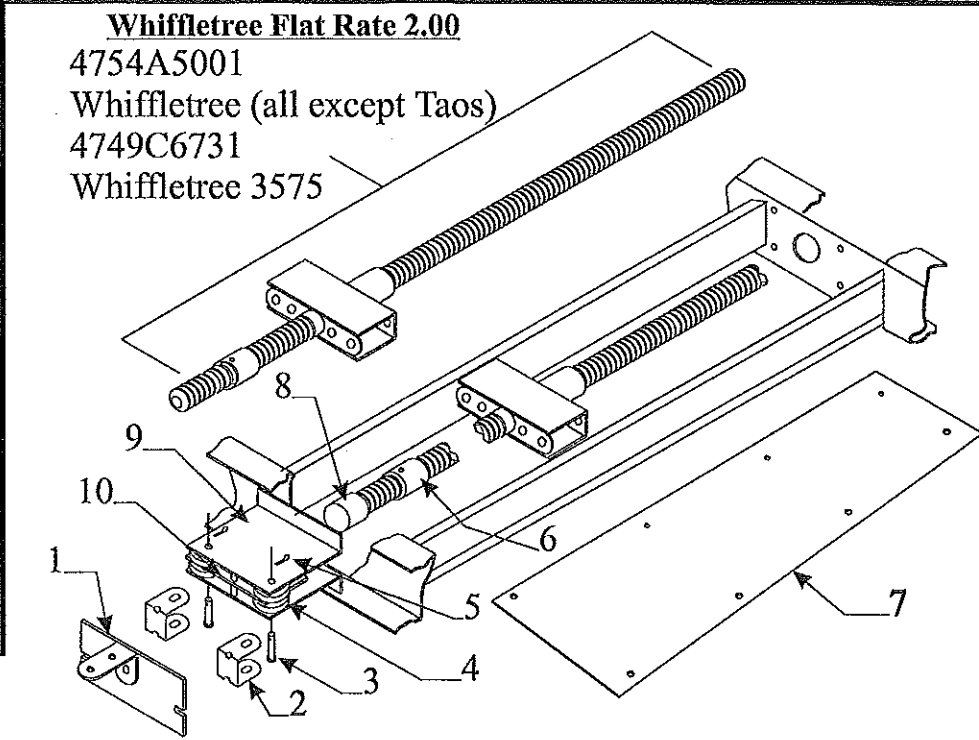


* Prior Authorization Needed From Factory

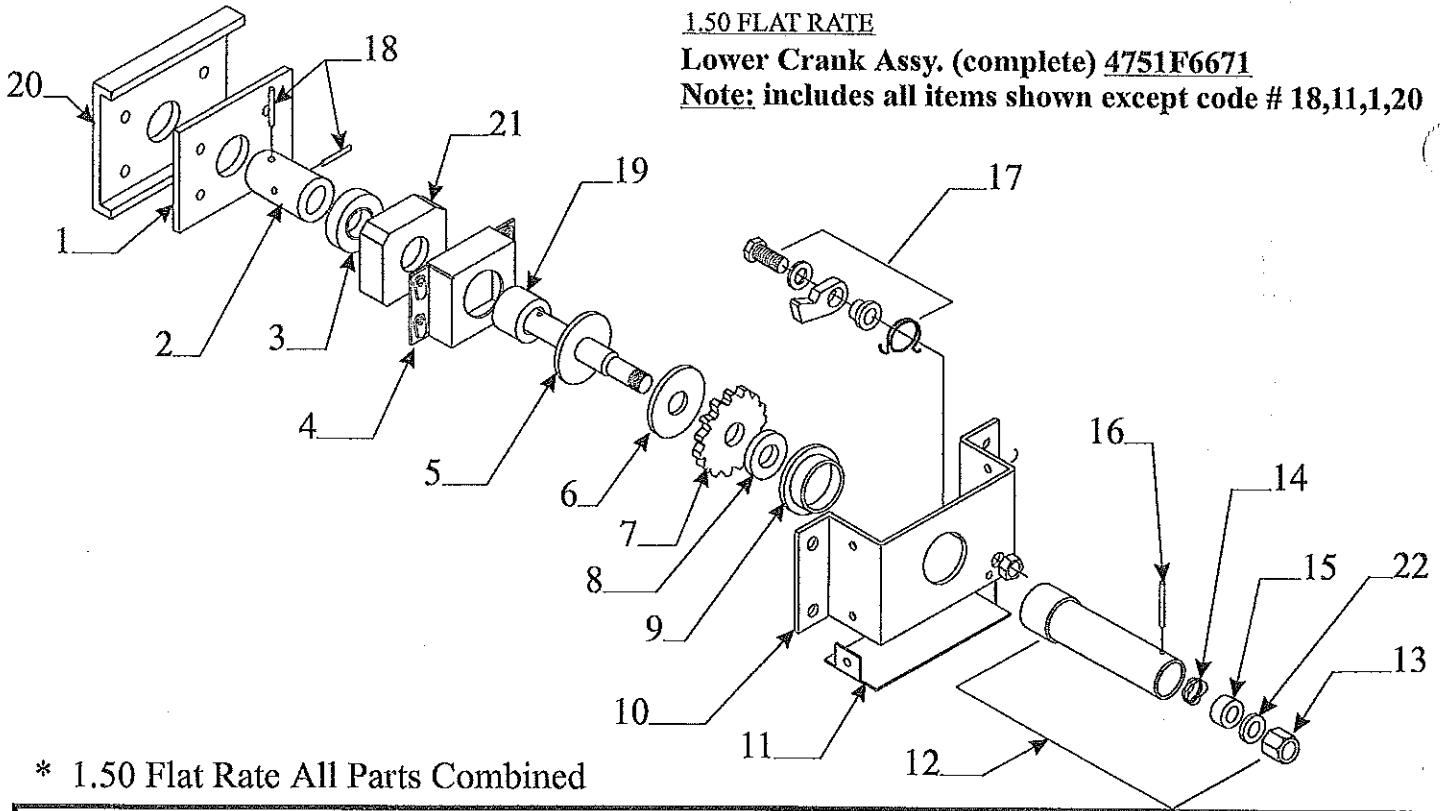
- 1.25 4716-0031 lift assembly roadside rear/curbside front (all except Taos)
- 1.25 4716-0041 lift assembly roadside front/curbside rear (all except Taos)
- 1.25 4716-0051 lift assembly roadside rear/curbside front 3575 Taos
- 1.25 4716-0061 lift assembly roadside front/curbside rear 3575 Taos



Flat Rate	Lift Assembly Code	Component Part #	Description
.75	1	4720D5271	cable assy. x1 m2 (all except Taos)
.75		4720C5271	cable assembly x2 m2 3575
		4720C1691	cable crimp m20
1.25	2	4754A6121	184" long cable & crimp
		4744-1318	copper cable crimp m10
1.25	3	4731C5801	butterfly bracket assy.
.05	4	4749-2081	screw m6
.50	5	4715A5371	steel pulley & bearing m10
.25	6	4747-8931	long pin x2
		4730B0981	retaining ring m12
.25	7	4749-4061	short pin m4
		4730B0981	retaining ring m12
.25	8	4749A2028	retaining clip
.45	9	4720C1578	lift pin m4
	10	1204B1081	cotter pin m10
	11	1203-8641	rivet m25
	12	1201B6378	1/4" lock nut
		1202E0408	washer



Flat Rate	Whiffletree & Related Parts Code	Part #	Description	Flat Rate	Code	Part #	Description
.15	1	4749A821	mud flap & brkt.	.25	7	4752B4921	whiffletree pan cover (all except Taos)
.50	2	4744B1741	cable retainer x2	.15		4757-1121	whiffletree pan cover 3575
.20	3	4720J1561	long pin m4			4755-4611	tek screw m25 (fasten pan in place)
.50	4	4715A5371	pulley & bearing m10	2.00	8	4730D1291	screw socket (welded)
.10	5	1204B1081	cotter pin m10	2.00	9	4720-1551	pulley plate
1.60	6	4710B4248	bushing	.50	10	4715D5661	pulley spacer
		4720D1481	roll pin m10				



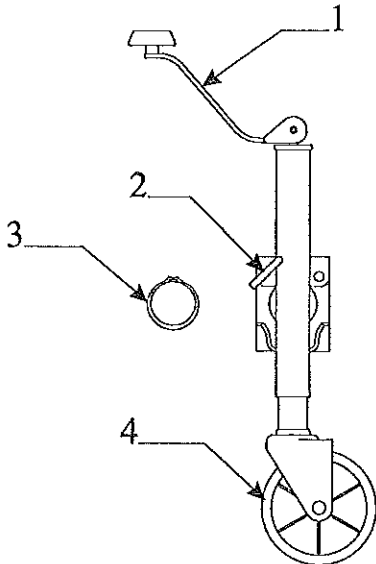
1.50 FLAT RATE

Lower Crank Assy. (complete) 4751F6671

Note: includes all items shown except code # 18,11,1,20

* 1.50 Flat Rate All Parts Combined

Flat Rate	Crank Up/Crank Down	Component Parts	Flat Rate	Code	Part #	Description
	1	4756-8321 bearing housing plate	*	11	4751-3721 housing cover plate	
1.50	2	4756-8301 coupler bushing			1203-8641 rivet m25	
1.50	3	4720C2421 thrust bearing	.75	12	4751C5681 drive hub extension pkg.	
*	4	4750A9251 bearing housing			Note: pkg. Includes parts marked w/* asterisk	
		4738A0898 hex bolt x4		13	*4751-3551 5/8" nut	
*	5	4751-3701 drive shaft	.50	14	*4752-3921 handle spring x1 m2	
*	6	4751-3561 pressure plate	.50	15	*4751-4671 nylon washer x1	
*	7	4751-4831 ratchet wheel	.10	16	*4747A9451 spiral roll pin x1 m6	
*	8	4751-3581 pressure washer	.60	17	4716-1221 ratchet pawl pkg.	
*	9	4751A3591 shaft bushing	1.00	18	4744A1301 shear pin x1 m10	
*	10	4751B3691 crank housing	1.50	19	4756A8311 spacer bushing	
		4731-3878 hex head bolt x4		20	4750A9261 plate "painted"	
		1201B6038 lock nut x4	1.50	21	4756-8441 bearing house square spacer	
			.50	22	4757-3938 washer x1	

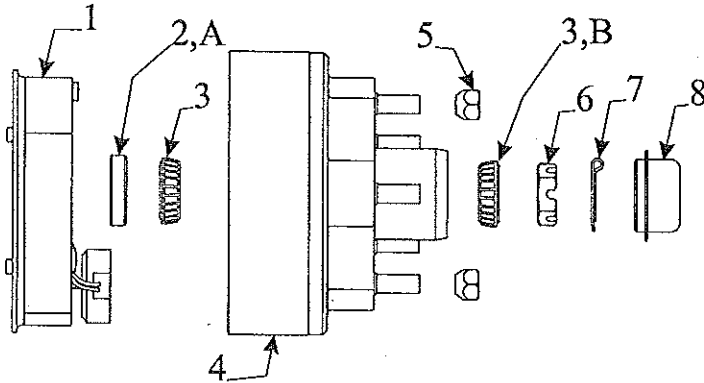


Flat Rate .10 Jack Removal						
Flat Rate	Tongue Jack Assembly (4720C6661) "Norco"	Code	Part #	Description		
.15	1	4716-1951	jack handle kit			
.15	2	4716-1981	locking plunger kit			
.10	3	4720A3341	snap ring			
.25	4	4716-1971	jack wheel nut & bolt			

Crossover Numbers To Purchase Locally

- A** 13194TM or 198138SP21 Grease Seal (7" hub)
171255VB Grease Seal (10" hub)
- B** L44649 Bearing (7" hub x2/ 10" hub x1 "outer")
L68149 Bearing (large inner x1 all except 10" hub)
- C** L44610 Race (7" hub x2/10" hub x1 "outer")
L68111 Race (large inner x1 10" hub)

Note: Refer to page 6 brake shoe components

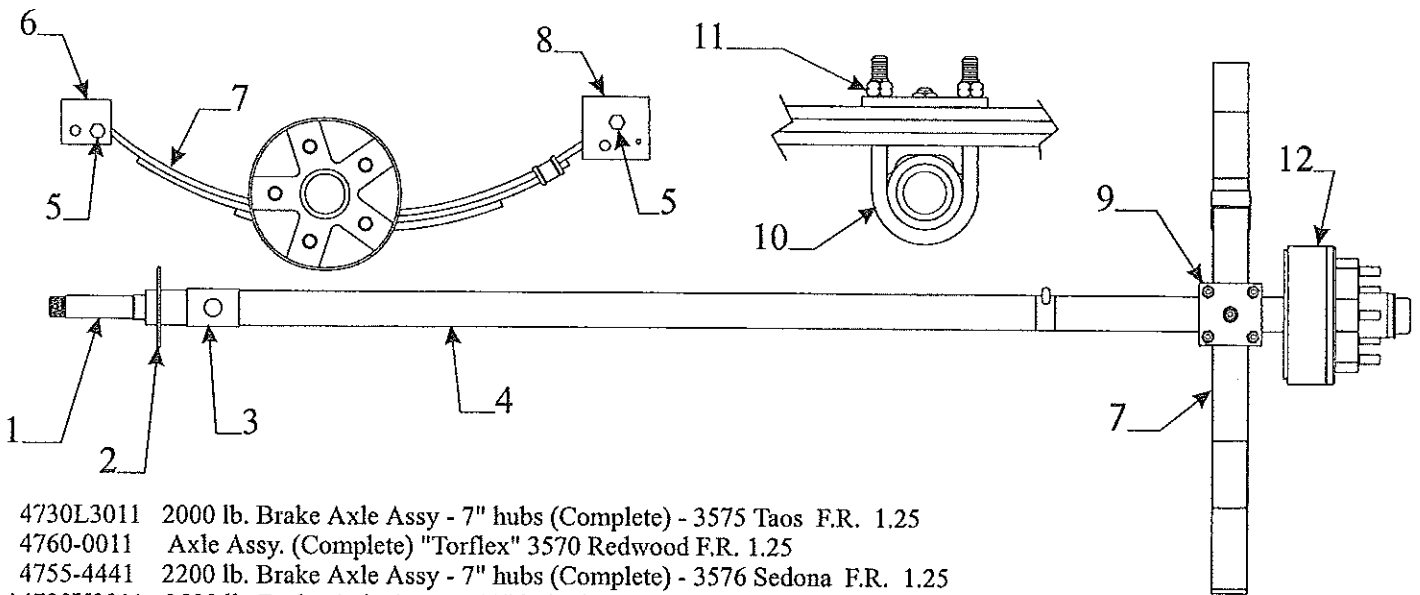


Flat Rate .50 Per Side

Electric Brake Pkg. 7" x 1 1/4" (4714H2011)

Electric Brake Pkg. 10" x 2 1/4" (4714J2011)

Flat Rate	Code	Part #	Description
.50	1	4733A3521	7" brake assembly (right hand)
.50		4733A3531	7" brake assembly (left hand)
.50		4716-6251	10" brake assembly (right hand)
.50		4716-6261	10" brake assembly (left hand)
.50	2	4714A2201	7" grease seal x1 m4
.50		4716-1441	10" grease seal x1 m4
.50	3	4716-1101	7" bearing, race & seal pkg.
.50		4716-1451	10" bearing, race & seal pkg.
.30	4	4716A1071	7" hub & drum x2
.30		4716-1431	10" hub & drum x2
.05	5	4747A9528	lug nuts x5
.10	6	4714-3068	slotted spindle nut x1
.10	7	1204-1268	cotter pin x1
.05	8	4714B0621	dust cap m4

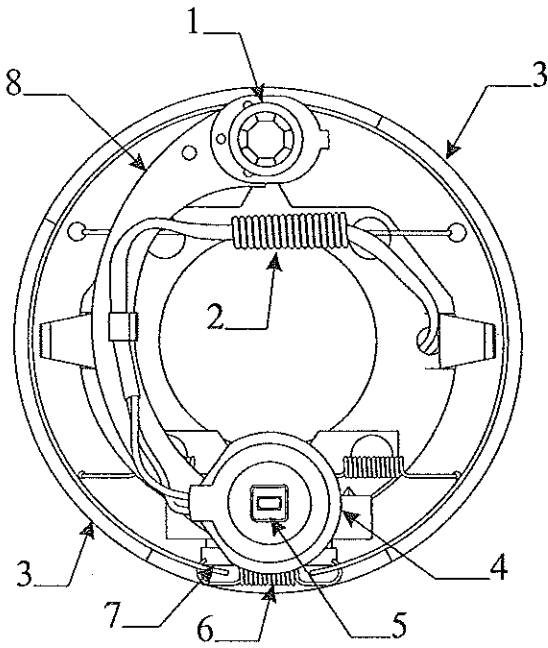


- 4730L3011 2000 lb. Brake Axle Assy - 7" hubs (Complete) - 3575 Taos F.R. 1.25
- 4760-0011 Axle Assy. (Complete) "Torflex" 3570 Redwood F.R. 1.25
- 4755-4441 2200 lb. Brake Axle Assy - 7" hubs (Complete) - 3576 Sedona F.R. 1.25
- *4730U3011 3500 lb. Brake Axle Assy. - 10" hubs (Complete) - 3560, 3561, 3592 F.R. 1.25

***NOTE: Axle Assy. 4730U3011 limited parts stocked, refer to Dexter Axle for required part (s) phone - 219/295-1900**
See page 6 for items listed for 10" 3500 lb. Brake axle components

Flat Rate	Code	Part #	Description	Flat Rate	Code	Part #	Description
*	1	4741B8491	spindle	2.00	6	4741A3398	spring shackle (rear)
*	2	4741A8471	brake plate 3576 only	.75	7	4735G2201	leaf spring (3 ply) 3576
*	3	4741-8461	spring pad channel m2	.75		4741B3381	leaf spring (2 ply) 3575
1.00	4	4716A1571	axle beam 3575 only	2.00	8	4741C3398	spring shackle (front)
1.00		4716F6251	axle beam 3576	.50	9	4741-8458	u-bolt plate
.25	5	4737A1318	shackle bolt	.25	10	4741A8438	u-bolt
		4741-9498	shackle bolt nut		11	4741-9358	u-bolt nut
					12		Note: refer above for hub & components

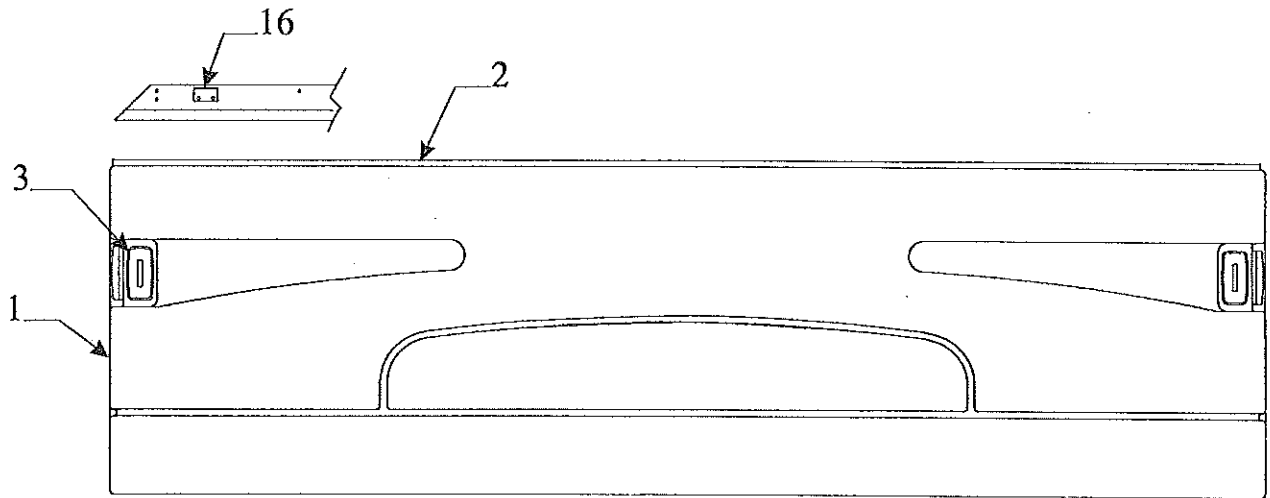
*** PRIOR AUTHORIZATION NEEDED FROM FACTORY**



<u>Flat Rate .50 Per Side</u>			
<u>Electric Brake Components</u>			
<u>Flat Rate</u>	<u>Code</u>	<u>Part #</u>	<u>Description</u>
	1	**	anchor post clip
	2	**	retractor spring
.40	3	*4714B2071	7" x 1 1/4" brake shoe (set)
.40		4716-2871	10" x 1 1/2" brake shoe (set)
.40	4	*4714D2451	7" magnet, spring & clip pkg.
.40		4716-2881	10" magnet, spring & clip pkg.
.30	5	**	retainer clip
	6	**	adjusting screw spring
	7	**	adjusting screw
	8	**	rt. & lt. lever arm pkg.
.30	9	*4714B2421	magnet housing spring (part not shown)

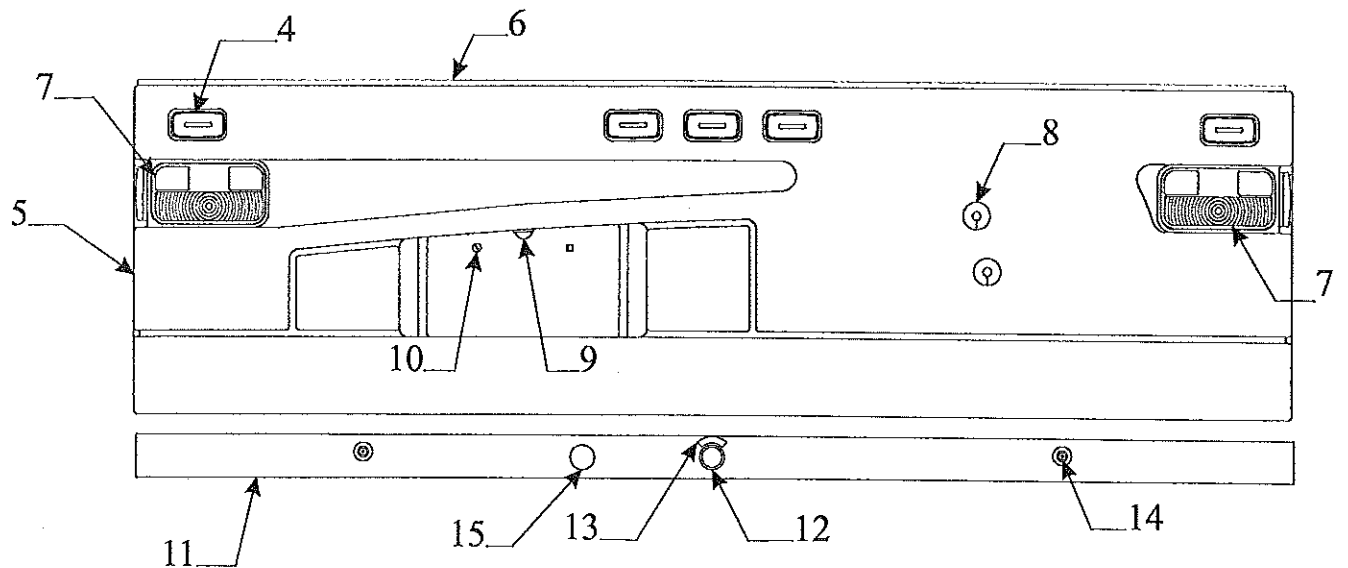
*Note: parts used on 7 x 1 1/4" brake only refer to Dexter Axle for 10 x 2 1/4" brake components - Phone 219/295-1900

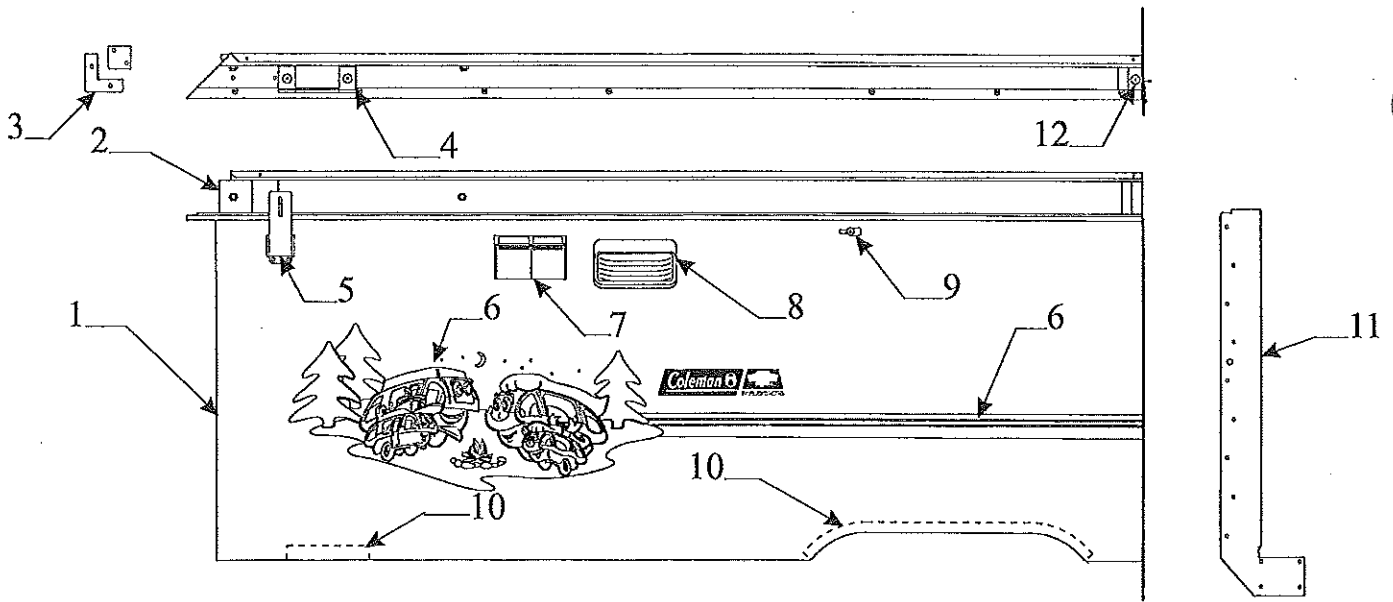
**Note: must order parts through Dexter Axle.
Phone - 219/295-1900



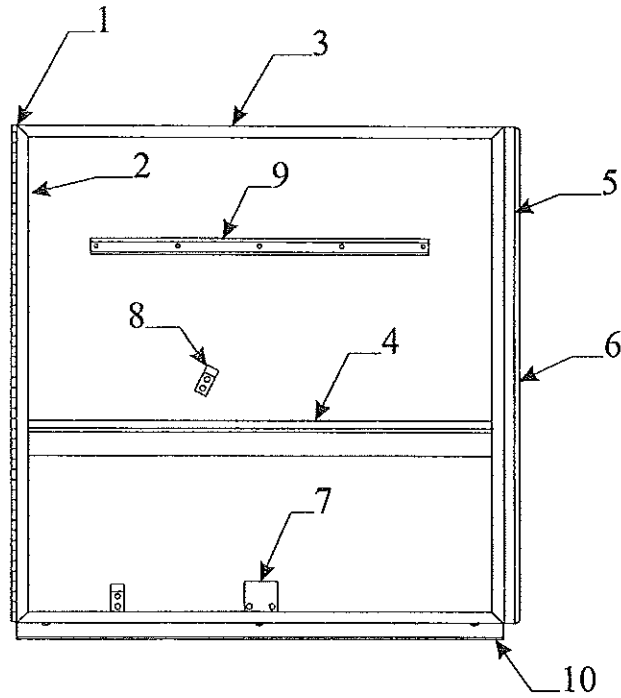
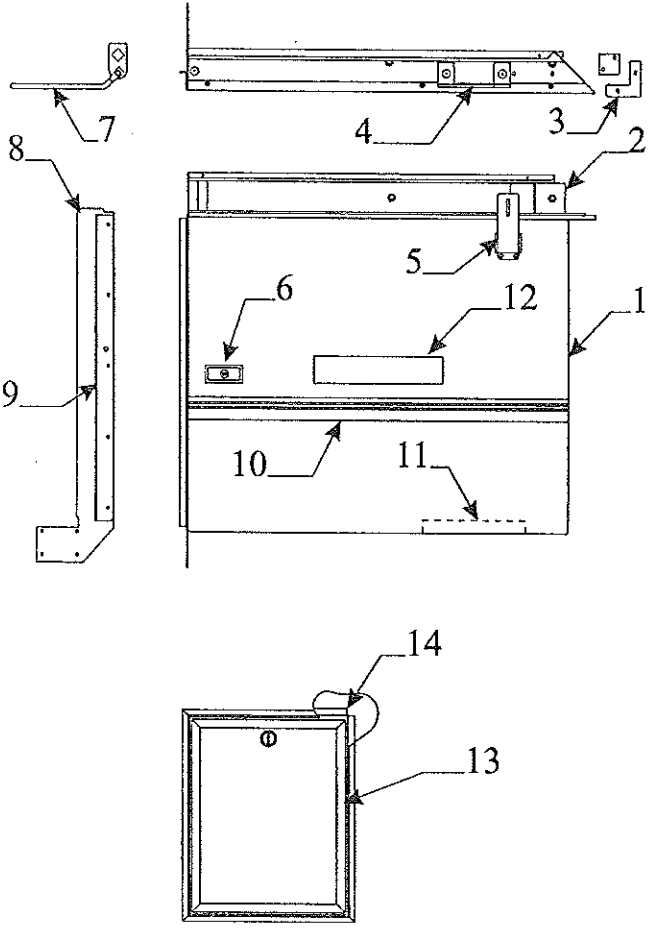
*** 1.50 Flat Rate Front Panel/2.50 Rear Panel**

Flat Rate	Code	Part #	Description	Flat Rate	Code	Part #	Description
*	1	4754A8711	front body pnl. (all except Taos)	.20	7	4749B4321	taillight x2
.65		4747G4531	front body pnl. 3575	.10		4716A1061	taillight lens
.75	2	4754A8681	front end rail (all except Taos)			4747-2558	expansion rivet m25
.75		4747B0801	front end rail 3575	.10	8	4754-3871	foam gasket m2
.15	3	4714H08481	amber marker light x4	.15	9	4739B4311	tag light
.10		4716-4571	amber lens (lens only)	.05	10	4732-1181	plastic grommet m4
.25		4733H1311	socket & harness	.05		1121C1618	license plate screw x2
		4747-2558	expansion rivet m25	.30	11	4756B2371	bumper 3560,61,92
.15	4	4714H08581	red marker light x7	.30		4754D0211	bumper 3570,76
.10		4716-4561	red lens (lens only)	.30		4751C0181	bumper 3575
		Note: refer to code # 3 for hardware		.10	12	4733-2741	2" snap bushing
*	5	4757-1961	rear body pnl. (all except Taos)	.10	13	4730H3188	"open" decal
.85		4747H4641	rear body pnl. 3575	.25	14	1032B24248	bolt x2
		4741D96568	expansion rivet m25 "white"			1202B0468	washer x6 m10
.75	6	4754A8691	rear end rail (all except Taos)			1202B1068	washer x2
.75		4747C0791	rear end rail 3575			1201B6068	nut x2
					15	4756-9761	2" hole plug
				.25	16	4749A4731	bed stop angle 3575





Flat Rate	Code	Part #	Description
1.00	1	4716B9751	csr body panel 3575 Taos
1.00		4754C8061	csr body panel 3570 Redwood
1.00		4757-3071	csr body panel 3576 Sedona
1.00		4756-9241	csr body panel 3560 Fairview
1.00		4754C9701	csr body panel 3561,3592
1.00	2	4749D9761	csr body rail 3575 Taos
1.00		4754B8031	csr body rail 3570 Redwood
1.00		4757A3081	csr body rail 3576 Sedona
1.00		4754C9511	csr body rail 3560,3561,3592
.10		4723A8071	velcro patch 2" x 2" m4
.10		435000005F	3/4" velcro hook (sold/yard)
.15	3	4716-7061	inner/outer miter cover pkg.m4 Note: pkg. Includes rivets
.25	4	4734C4121	lift trim,rivets & gasket pkg. m4
.15	5	4741C6041	top latch w/out lock tab
	5	4749-4848	foam pad
.50	6	4716H8251	trim tape & hardware kit
		4752F1508	happy campers decal
.25	7	4746A3861	duplex cover & outlet
.35		4746-3871	duplex box
		1203-8678	rivet m25 (rivet box to pnl.)
.25	8	4752-9921	porch light
.10		4716-5511	porch light lens "amber"
.15	9	4738-3941	turn button & rivet
	10	4060050008P	1/2" x 1" foam tape pkg. (12' pc.)
1.25	11	4754A6201	door bulkhead csr 3570,76
1.25		4754B6201	door bulkhead csr 3560,61,92
1.25		4747A0101	door bulkhead csr 3575 Taos
		4734C1861	rivet m25 (arctic white)
	12	1203-8831	rivet m25



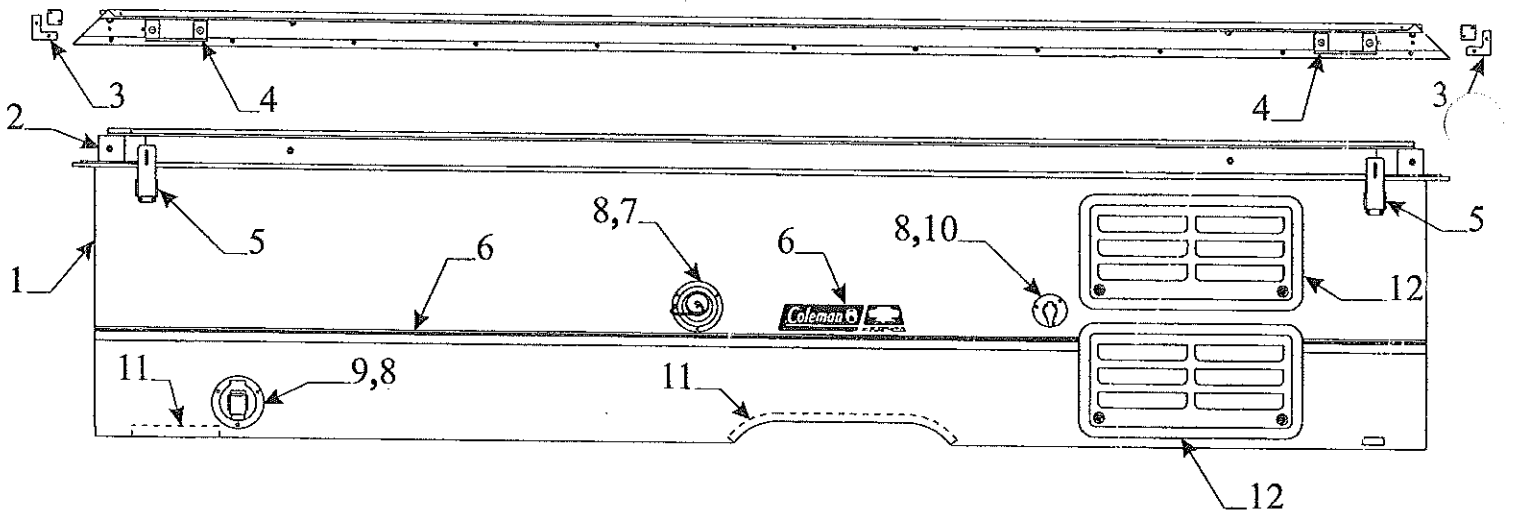
4716H8251 Curbside Trim Tape/Hardware Kit
Curbside Right Front Body Pnl. & Components

Flat Rate	Code	Part #	Description
.85	1	4716C0441	csf body panel 3575 Taos
.85		4754A8051	csf body panel 3570 Redwood
.85		4757-3111	csf body panel 3576 Sedona
.85		4756-9281	csf body panel 3560, 3592
1.00		4754C9721	csf body panel 3561 Timberlake
1.00	2	4747C0561	csf body rail 3575 Taos
1.00		4754B8021	csf body rail 3475 Redwood
1.00		4757A3121	csf body rail 3576 Sedona
1.00		4754C9501	csf body rail 3560, 61, 92
.10		4723A8071	velcro patch 2" x 2" m4
.10		4350000005F	3/4" velcro hook (sold/yd.)
.15	3	4716-7061	inner/outer miter cover pkg. m4
.25	4	4734C4121	lift trim, rivets & gasket pkg. m4
.15	5	4741C6041	top latch w/out lock tab
		4749-4848	foam pad
1.00	6	4730C3111	lock handle (with key)
1.00	7	4754-1691	latch,strike & lever (all except Taos)
1.00		4747-3501	latch,strike & lever 3575 Taos
1.25	8	4754A6191	door bulkhead csf 3570,76
1.25		4754B6191	door bulkhead csf 3560, 61, 92
1.25		4747A0091	door bulkhead csf 3575 Taos
.25	9	4754A2111	door bulkhead angle (all except Taos)
.25		4749B3881	door bulkhead angle 3575 Taos
		43500000022F	foam tape (sold/foot)
.25	10	4716H8251	trim tape & hardware kit
	11	4060050008P	1/2" x 1" foam tape pkg.(12' pc.)
.25	12	4749K3198	Taos name decal 3575
.25		4754C8738	Redwood name decal 3570
.25		4757A3348	Sedona name decal 3576
.25		4756A9638	Fairview name decal 3560
.25		4757A2988	Timberlake name decal 3561
.25		4753F0708	Tacoma name logo 3592
.50	13	4716-1831	potty door & frame 3561
		43500000028P	3/4" butyl tape pkg. (6' pc.)
		40600000029P	black d-seal pkg. (6' pc.)
.15		4754-4911	lock & o-ring
	14	4746F5121	shroud

4754C5111 Access Door Assy. (All except Taos) F.R. .50
4749H6471 Access Door Assy. 3575 Taos F.R. .50

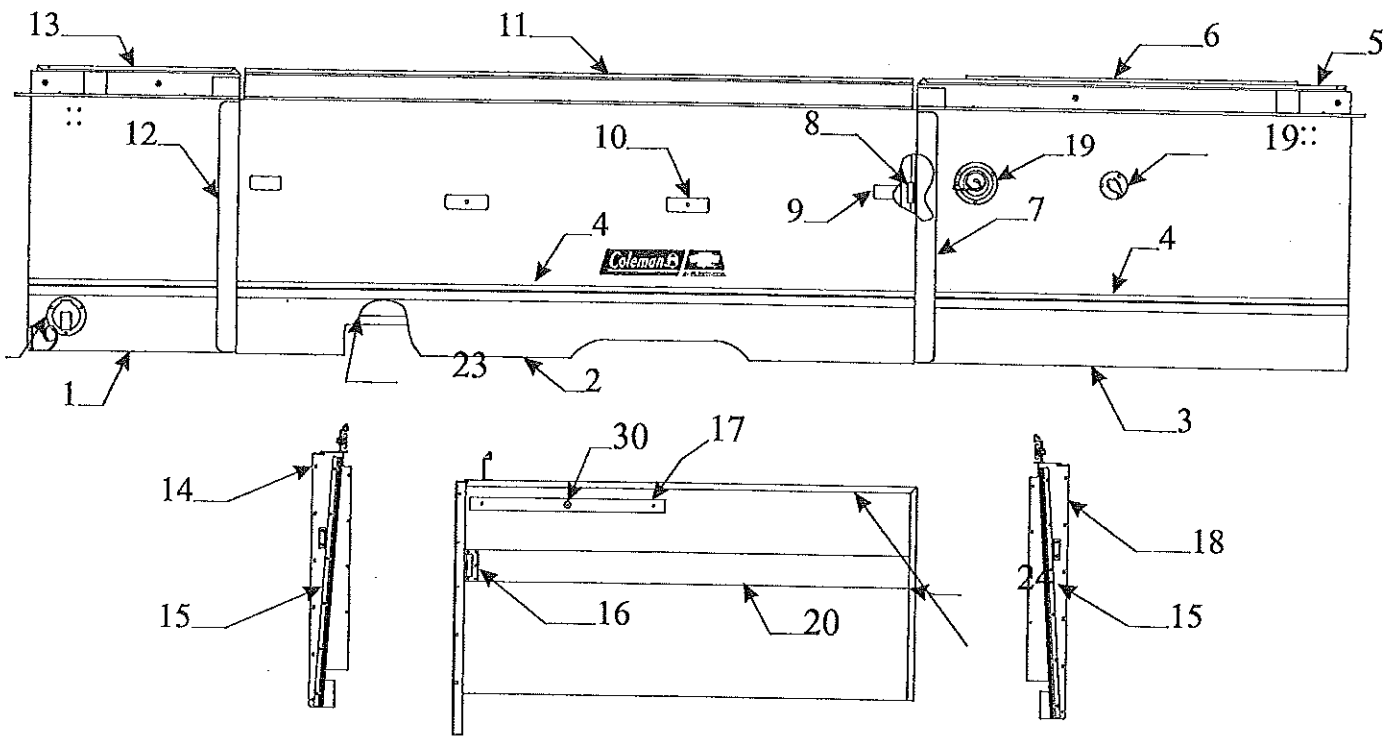
Note: Access Door less trim tape must order separately

Flat Rate	Code	Part #	Description
.25	1	4754B0281	door hinge (all except Taos)
.25		4747A3621	door hinge 3575 Taos
.35	2	4754-0251	door frame (all except Taos)
.35		4747A3591	door frame 3575 Taos
.25	3	4749B9821	door cap (all)
.25	4	4716B4961	trim tape pkg. (5' pc.)
.20	5	40600000023P	d-seal pkg. (5' pc.)
.25	6	4754C0261	door frame (all except Taos)
.25		4747A3601	door frame 3575
.10	7	4749A9941	door bracket (all)
.10	8	4720A0721	cooler clip m2
		4745-3968	screw x2
.25	9	4750A8481	stove support brkt.
		4716-081	screw x2
.25	10	4747C3611	bottom trim (all)

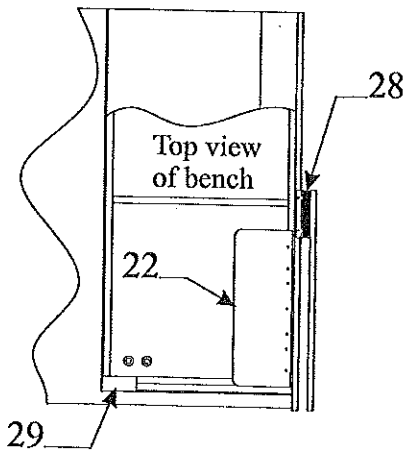
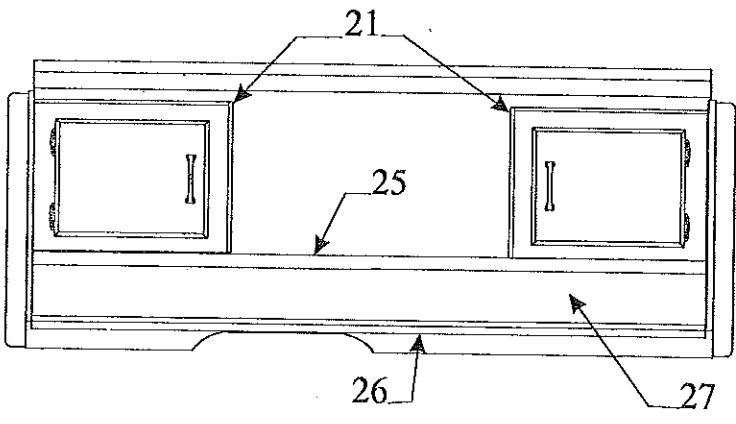


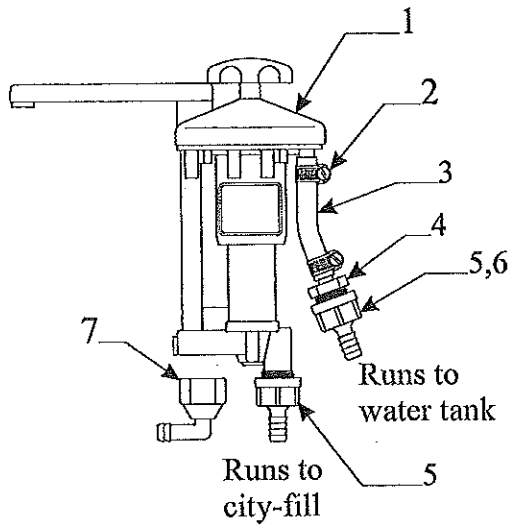
- * Add .50 For Heater Vent
- * Add 1.00 For Refrigerator
- * Add .50 For Hot Water Heater

4716H8261 Roadside Trim Tape/Hardware Kit			
Roadside Left Body Panel & Components			
Flat Rate	Code	Part #	Description
*1.00	1	4716B98071	left side body pnl. 3575 Taos
*1.00		4754A8071	left side body panel 3570 Redwood
*2.00		4757A3091	left side body pnl. 3576 Sedona
*2.00		4754E9711	left side body pnl. 3561 Timberlake
*2.00		4754H2141	left side body pnl. 3592 Tacoma
3.00	2	4747C0581	left side body rail 3575 Taos
3.00		4754B8041	left side body rail 3570 Redwood
3.00		4757A3101	left side body rail 3576 Sedona
3.00		4754D9521	left side body rail 3561,3592
		4723A8071	velcro patch 2" x 2" m4
.10		4350000005F	3/4" velcro hook (sold/yd.)
		4757-0731	wire grommet & nut
.15	3	4716-7061	inner/outer miter cover pkg. m4
			Note: pkg. Includes rivets
.25	4	4734C4121	lift trim, rivets & gasket pkg. m4
.15	5	4741C6041	top latch w/lock tab
		4749-4848	foam pad
.50	6	4716H8261	trim tape & hardware kit
.30	7	4731D1711	water tank spout
	8	4741-3508	hex head tek screw x3
.15	9	4733B23361	cab hatch
.30	10	4732F1521	city fill
	11	4060050008P	1/2" x 1" foam tape pkg. (12' pc.)
.50	12	4747D8341	refrigerator vent "plastic"
		4350000034P	putty tape 10' pc. pkg. (around perimeter of vent)
		4745-3968	painted screw arctic wht. x4 per vent
		4757-0691	rivet alum. M25
		4757-8301	reefer brkt. "Long" x2 per vent
		4757A8071	reefer brkt. "Small" x2 per vent



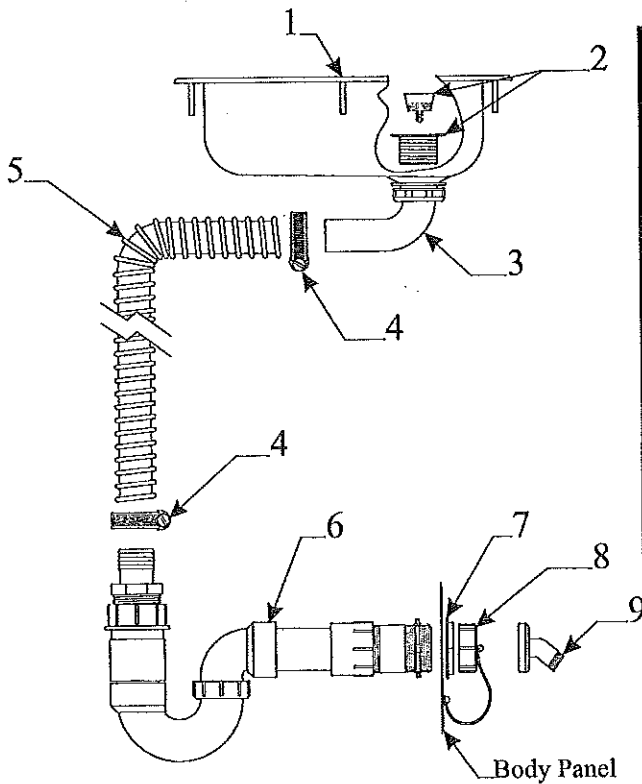
Flat Rate	Code	Part #	Description	Flat Rate	Code	Part #	Description
1.50	1	4756B9671	left front body panel	1.65	14	4759B5031	bulkhead left front
1.00	2	4757-5411	glide-out body panel	.35	15	4755-3911	seal track (must cut to size)
1.50	3	4756A9661	left rear body panel			4064700589P	side seal "black" pkg. (8' pc.)
.75	4	4716H8261	trim tape & hardware kit	.15	16	4756-2171	lock boot w/cover plate
1.00	5	4756A9641	left rear body rail	.25	17	4754-3811	vel-stick (must cut to size)
.25	6	4737D2231	curtain track	1.65	18	4759B5041	bulkhead left rear
		1203-8678	rivet m25 (rivet track to rail)	.50	19	Note: refer to page 12 for this item	
.25	7	4756B3361	angle seal "rear" (all)		20	4756-8471	ABS ware strip x2
		4060000023P	d-seal pkg. "white" (5' pc.)	.40	21	Note: Refer to page 24 for bench components	
.75	8	4756A4171	strike w/screws	.20	22	4756A6131	metal flip-up backrest x2
		4756-3251	shim	.20	23	4756-2651	3/4" white L - channel 48" pc.
.75	9	4755-4091	latch & gasket	.50	24	4756D1461	maple trim U-channel 48" pc.
.75	10	4756-1181	pull handle	.50	25	4757B2161	alum. Edge cap "painted maple"
		4738-2608	tek screw "black"	.25	26	4757A2351	floor sweep
.75	11	4756A9951	glide-out body rail	.10	27	4756B6041	wood kick plate assy.
.25	12	4756B3351	angle seal "front"		28	4756-1151	5 1/2" brush seal
		4060000023P	d-seal pkg. "white" (5' pc.)		29	4756-8731	plastic seat frame corner
1.00	13	4756A9651	left front body rail	1.25	30	4730A3548	stud w/screw
					31	3568803202P	ware plate "galvanized" 30x55
							(Note: located on the bottom of the glideout floor)



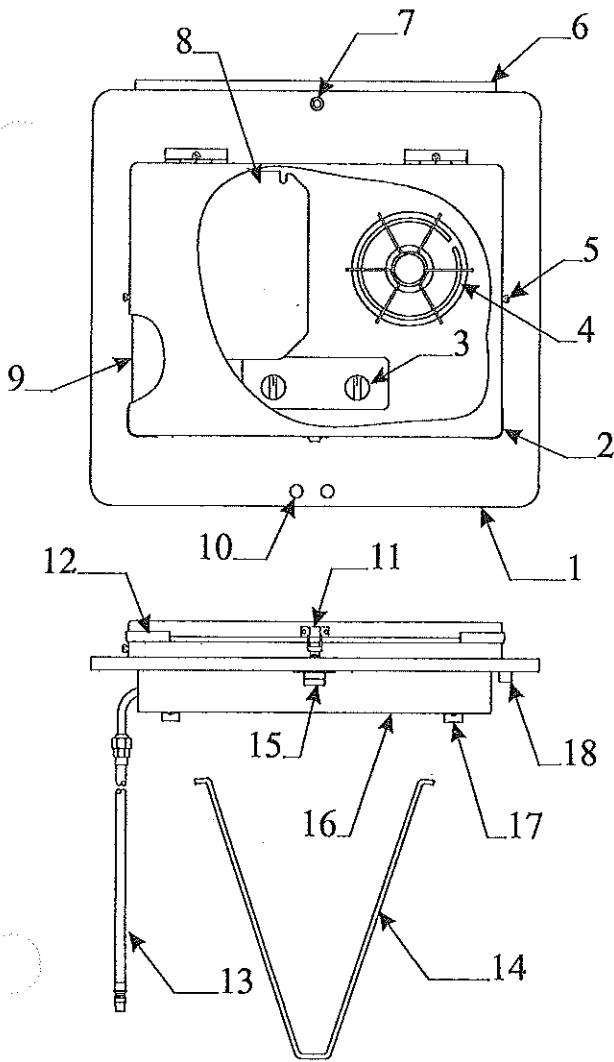


Flat Rate	Code	Part #	Description
.40	1	4734D0161	hand pump
		4716-081	screw x4
		4731-3058	adjustable hose clamp
.35	3	4714-038	3/8" h.p. Hose (sold/foot)
.20	4	4732-4561	male adapter
.20	5	4741A9561	barbed adapter
.20	6	4754-4418	round filter screen
.20	7	4741B9061	street elbow

TO ORDER REPAIR PARTS
 FOR MODEL # 150-000-00 SHURFLO PUMP
 CALL: 1/800-854-3218 GARDEN GROVE, CA..
 CALL: 1/800-762-8094 ELKHART, IN.

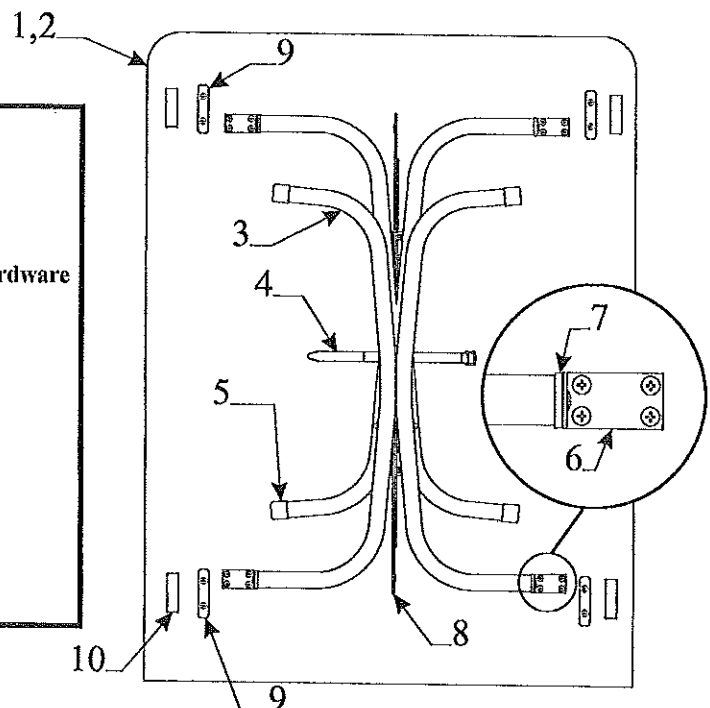


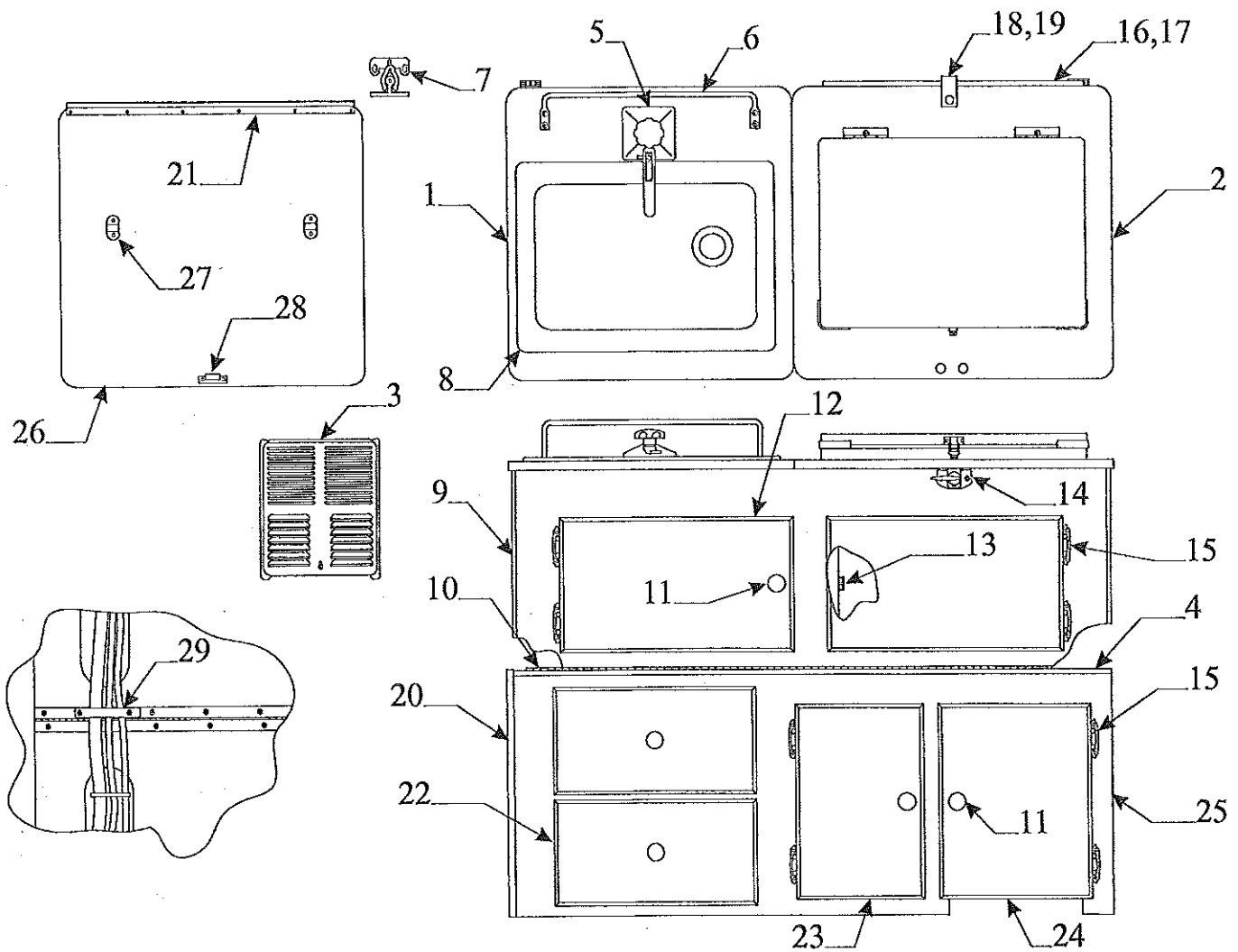
Flat Rate	Code	Part #	Description
.30	1	4710F0301	sink "stainless"
.80		4745B2801	sink "porcelain"(standard on 3561)
.05	2	4714B0661	crumb cup "only"
.25		4730E3151	crumb cup & basket
.40	3	4757-0861	elbow, nut & washer
.40		4757-0831	black rubber washer
.80	4	4715-4501	1 1/4" hose clamp
.20		4060012503P	1 1/4" drain hose pkg. (10' pc.)
.20	6	4758A.5431	drain trap assy. 3575,92
.20		4758-5701	drain trap assy.3570
.20		4759-5411	drain trap assy. 3576,60,61
	7	4757-0851	nut
.10	8	4714A2861	cap & strap
	9	4737-9138	drain adapter



Flat Rate	Lift-out Code	Stove Component Part #	Description
.60	1	4754D0451	counter top 3575 Taos
.60		4742L8141	counter top 3570 Redwood
.60		4754C9441	counter top 3576 Sedona
.60		4754C8441	counter top 3560,61
.60		4757A3971	counter top 3592 Tacoma
.30		4060475001P	t-molding pkg. (14' pc.)
.15	2	4749E6601	stove cover assy. "black" 3575,70,76
.15		4748B6461	stove cover assy. "white" 3560,61,92
.05	3	4716-1861	knob
.05	4	4716-1851	stove grate
.05	5	4716A0881	thumb screw m6
.05		4746-8661	plastic thumb screw m6 3560,61,92
.35	6	4754-0471	stove hanger bracket
.05	7	4730A3548	stud w/screw
.25	8	4749D99381	stove fin x2 "black" 355,70,76
.25		4746-8531	stove fin x2 "white" 3560,61,92
		4741A4401	hinge x2
		1203-8558	rivet m25 (x2 per hinge)
.15	9	4746A9491	cook top 2 burner "black" 3575,70,76
.15		4746A8561	cook top 3 burner "white" 3560,61,92
	10	4739E2908	screw cap m10
		4739-2918	screw cap washer m10
.15	11	4733-4018	stove cover latch
		1203-8558	rivet m25 (x2 per latch)
.15		4733-4028	strike
		4737-8478	screw
.05	12	4732A2291	edge molding m2
.25	13	4752C2471	41" gas hose w/lp plug 3575 Taos
		4757-8001	48" gas hose w/lp plug (all except 3575)
.05	14	4748-2731	support leg (all)
.15	15	4754A08861	latch strike
.75	16	4748C2581	stove box (2 burner) 3575,70,76
.75		4739G2931	stove box (3 burner) 3560,61,92
.20	17	4740A1891	support leg brkt. W/rivets m2

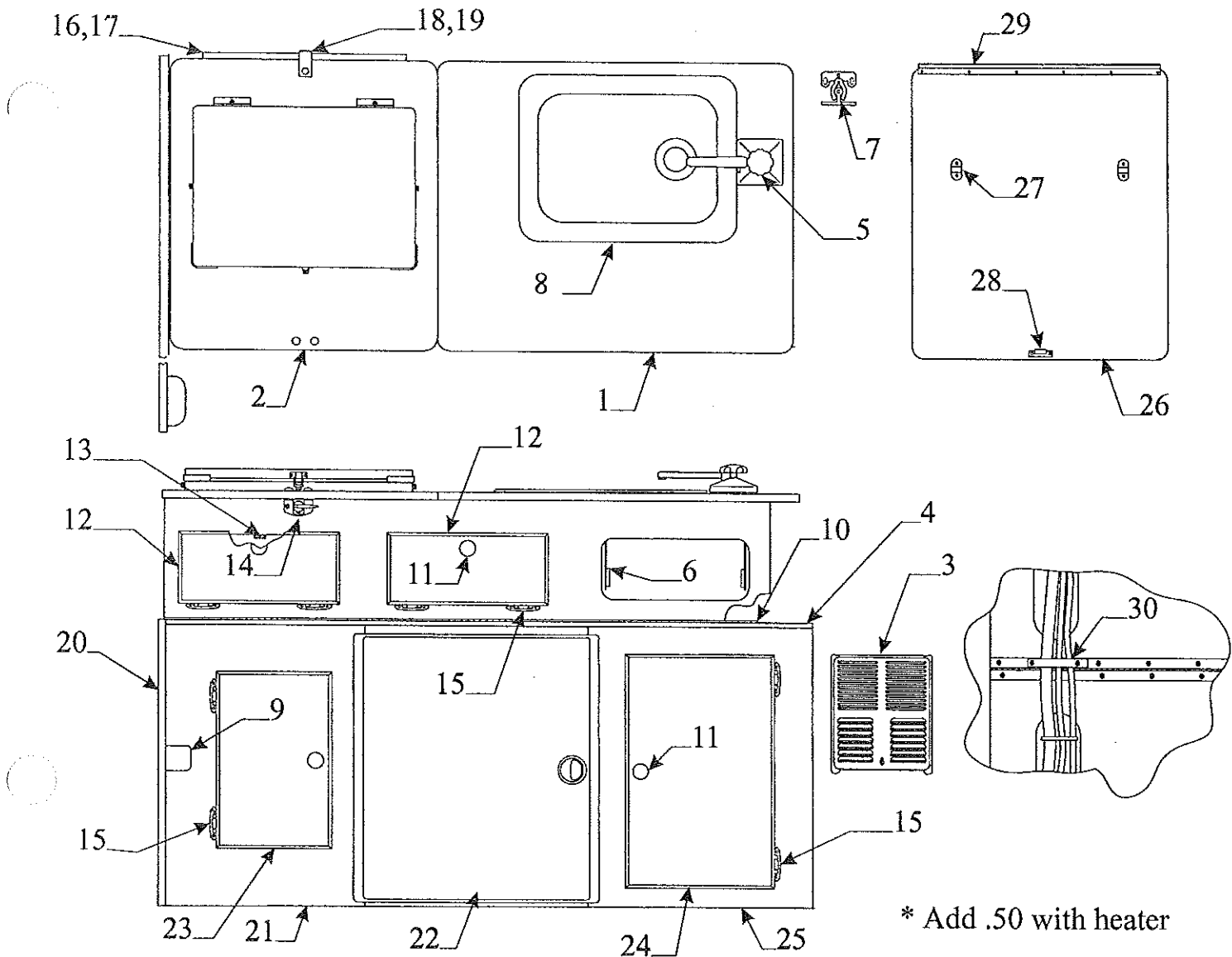
Flat Rate	Dinette Code	Table Assembly Component Part #	Description
.50	1	4756B8461	table top (30"x 39") (all)
.30	2	4060475001P	t-molding pkg. (14' pc.)
.50	3	4745J5271	table leg package
		Note: pkg. includes 2 legs & required mounting hardware	
.10	4	4751A9711	strap & screw pkg.
.10	5	4752-0551	white plastic cap m2
.15	6	4720F1211	table leg mounting brace m2
		1103B101F	5/8" wood screw
.15	7	4752A0561	table leg insert cap m2
		4747-2558	expansion rivet m25
.25	8	4744-6971	lock brace assy. x2
		1103B101F	5/8" wood screw
.15	9	4756-8741	table top plastic spacer m4
		1103B08148	7/8" screw (x2 per spacer)
.05	10	4724D2631	velcro fastener m4





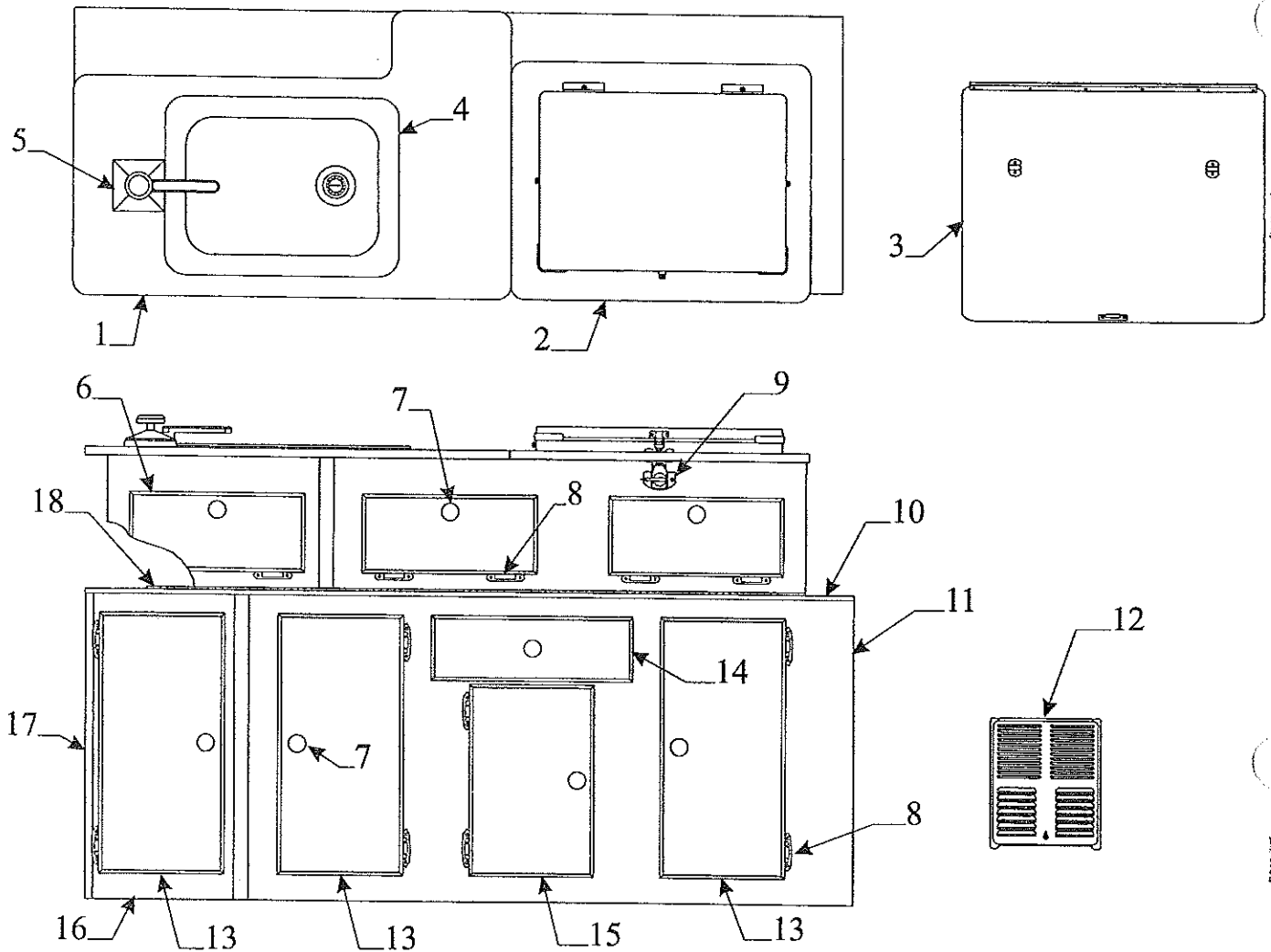
* Add .50 with heater

Upper & Lower Galley Assy. Components - 3575 Taos							
Flat Rate	Code	Part #	Description	Flat Rate	Code	Part #	Description
1.00	1	4749P9921	upper galley top	.10	11	4748A3951	door pull (includes screw)
.30		4060475001P	t-molding pkg. (14' pc.)	.15	12	4754B1481	door panel x2 - 9 1/4" x 15 3/4"
.60	2	4754D0451	lift-out stove counter top	.15	13	4733-6391	latch & strike pkg.
			Note: refer to page 13 for stove components	.20	14	4754-0501	latch
.10	3	4743-3551	furnace grill	.10	15	4739B0518	hinge
1.25	4	*4747J4371	lower galley top	.10		4745C26188	hinge (spring loaded)
		4716-9691	hose strap pkg.	.35	16	4750A8481	stove support
.20		4746C0971	kill switch m4	.35	17	4754-0461	stove support brkt.
.40	5	4734D0161	hand pump "Shurflo"	.10	18	4723B5061	safety strap
.40		4734E0161	hand pump "Atwood"	.05	19	4730A3548	stud w/screw
		4741A9551	inline check valve	.35	20	4749G9891	seat end
		4741A9561	female copper adapter	.30		4060400091P	lipped t-molding (12' pc. Pkg)
		4716-081	screw x4	.15	21	4754-0471	hanger bracket
			Note: refer to page 12 for pump components	.15	22	4758D5691	drawer assy. x2
.25	6	4734H0991	grab bar 14 1/2"	.15	23	4757A4041	door panel 12" x 9 1/8"
.15	7	4744A9261	knuckle latch m4	.15	24	4754B1461	door panel 14" x 10 3/4"
		4738-3088	screw x2	1.50	25	*4749K9901	galley front
.30	8	4710F0301	sink	.10	26	4754D5391	cutting board assy.
			Note: refer to page 12 for sink components	.10	27	4740A1891	support leg brkt. m2
.65	9	4716D0151	3/8" f-channel 24" pc.	.10	28	4754A08861	latch strike
.50	10	4757-2621	hinge	.10	29	4716-9691	hose strap pkg.



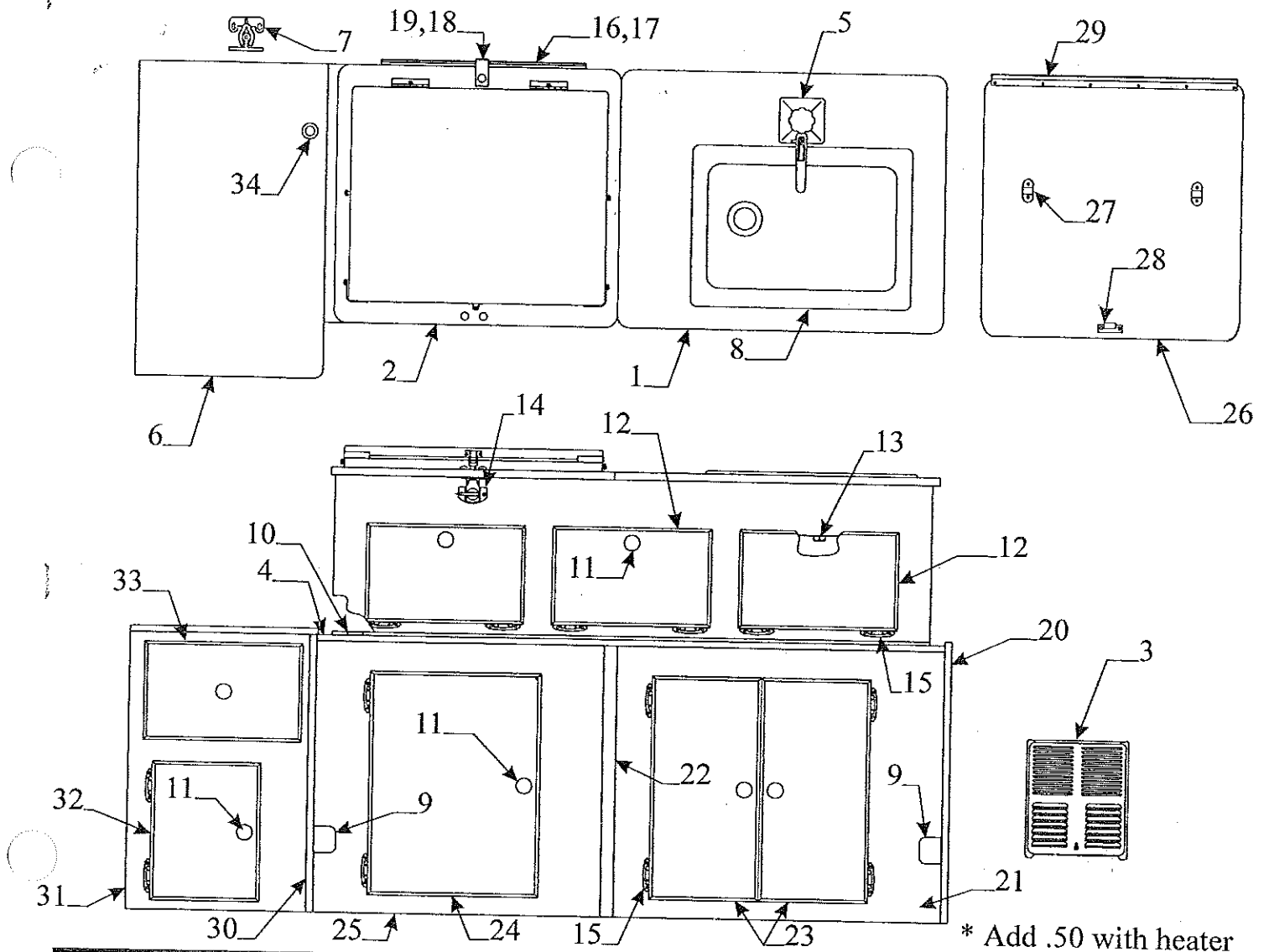
* Add .50 with heater

Flat Rate	Code	Part #	Description	Flat Rate	Code	Part #	Description
1.00	1	4757C3231	upper galley top	.15	12	4754A9471	door panel 12 3/4" x 5 3/4"
.30		4060475001P	t-molding pkg. (14' pc.)	.15	13	4733-6391	latch & strike pkg.
.60	2	4754C9441	lift-out stove counter top	.20	14	4754-0501	latch
		Note: refer to page 13 for stove components		.10	15	4739B0518	hinge
.10	3	4743-3551	furnace grill	.10		4745C26188	hinge (spring loaded)
1.25	4	*4757B3191	lower galley top	.35	16	4750A8481	stove support
.20		4746C0971	kill switch m4	.35	17	4754-0461	stove support brkt.
.40	5	4734D0161	hand pump "Shurflo"	.10	18	4723B5061	safety strap
.40		4734E0161	hand pump "Atwood"	.05	19	4730A3548	stud w/screw
		Note: refer to opposite page for check valve		.35	20	4754E2611	seat gazoodi
.25	6	4754-8511	paper towel holder	.30		4060400091P	lipped t-molding (12' pc. Pkg)
.15	7	4744A9261	knuckle latch m4	.75	21	*4754A8421	lower galley frt. "left"
		4738-3088	screw x2	.50	22	4754A0481	built-in cooler
.30	8	4710F0301	sink	.15	23	4757A4041	door panel 12" x 9 1/8"
		Note: refer to page 12 for sink components		.15	24	4757A3211	door panel 19" x 9 1/8"
.25	9	4754B0901	galley rest (plastic)	1.50	25	4757A3201	galley front "right"
.50	10	4757-2621	hinge	.10	26	4757-4411	cutting board assy.
		1103B08148	7/8" screw x6	.10	27	4740A1891	support leg brkt. M2
		1016B08208	machine screw x2	.10	28	4754A08861	latch strike
		1201B6908	nut x2	.15	29	4754-0471	hanger bracket
.10	11	4748A3951	door pull (includes screw)	.10	30	4716-9691	hose strap pkg.

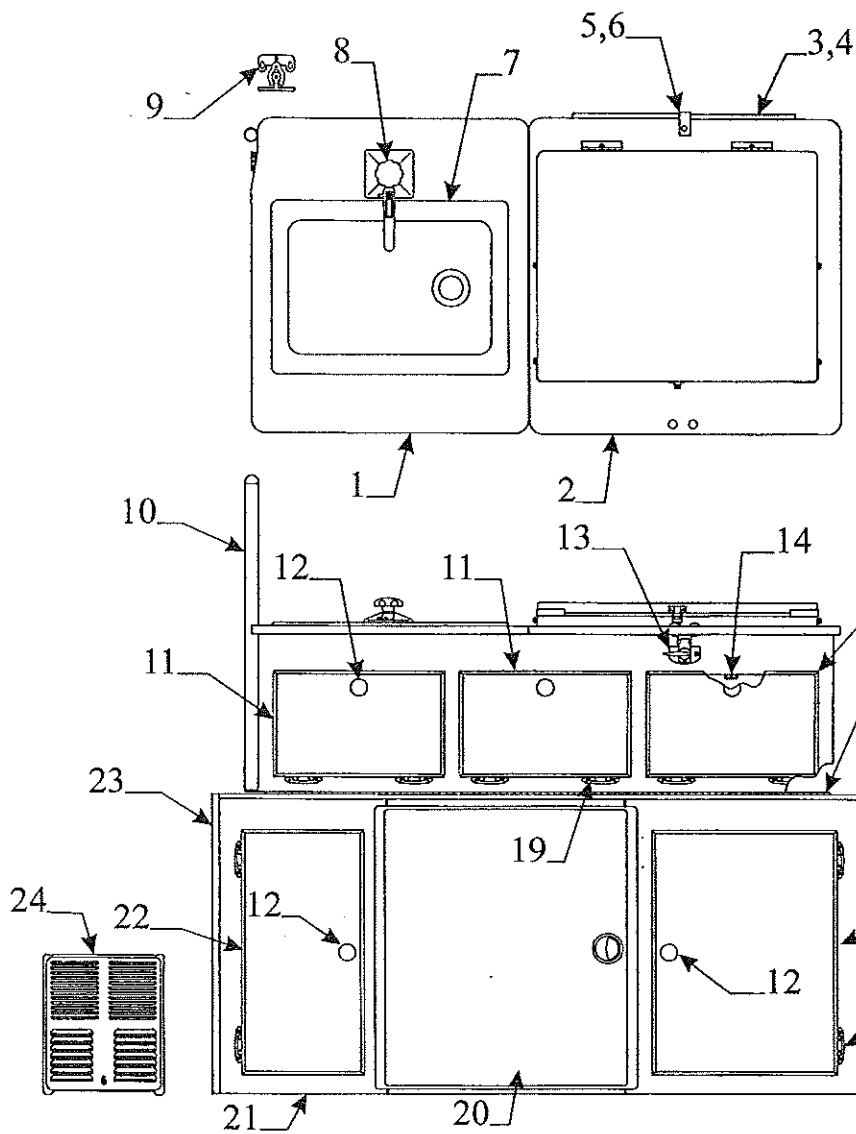


* Add .50 with heater

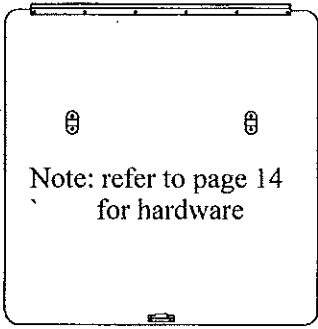
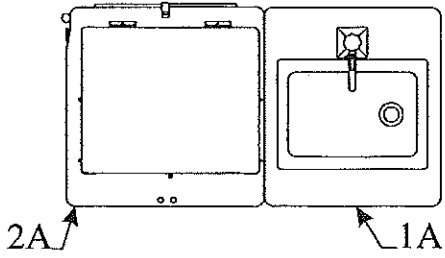
Upper & Lower Galley Assy. Components - 3570 Redwood							
Flat Rate	Code	Part #	Description	Flat Rate	Code	Part #	Description
1.00	1	4757B1031	upper galley top	.10	8	4739B0518	hinge
.30		4060475001P	t-molding pkg. (14' pc.)	.20	9	4754-0501	latch
.60	2	4742L8141	lift-out stove counter top	1.25	10	4757A1051	lower galley top
		Note: refer to page 13 for stove components				4716-9691	hose strap pkg.
.10	3	4749L6551	cutting board assy.	.20		4746C0971	kill switch m4
		Note: refer to page 15 for hardware		1.50	11	* 4757A1041	lower galley frt. Large
.30	4	4710F0301	sink	.10	12	4743-3551	furnace grill
		Note: refer to page 12 for sink components		.15	13	4755A4081	door panel 18 7/8" x 9 1/8"
.40	5	4734D0161	hand pump	.10	14	4758C5751	drawer assy.
		4716-081	screw x4	.15	15	4757A4041	door panel 12" x 9 1/8"
		Note: refer to page 12 for pump components		.75	16	4754A8331	lower galley frt. (Small)
.15	6	4754A9471	door panel x3 -12 3/4" x 5 3/4"	.75	17	4754B4851	lower galley side left
.10	7	4748A3951	door pull (includes screw)	.50	18	4754-9451	hinge



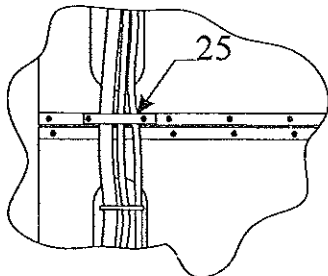
Flat Rate	Upper & Lower Galley Assy. Components -3592 Tacoma	Flat Rate	Code	Part #	Description
1.00	1	.20	14	4757A4091	upper galley top (non hot water)
1.25		.10	15	4757A4151	upper galley top (hot water)
.30		.10		4060475001P	t-molding pkg. (14' pc.)
.60	2	.35	16	4757A3971	lift-out stove counter top
		.35	17		Note: refer to page 13 for stove components
.10	3	.10	18	4743-3551	furnace grill
1.25	4	.05	19	4755E1381	lower galley top
.20		.35	20	4746C0971	kill switch m4
.40	5	.30		4734D0161	hand pump (non hot water)
1.00		.75		4745D2741	mixer faucet (hot water)
		.50	21		Note: refer to page 12 for pump components
.25	6	.15	22	*4756A8791	cabinet top
.15	7	.15	23	4744A9261	knuckle latch m4
		1.50	24	4738-3088	screw x2
.30	8	.10	25	4710F0301	sink (non hot water)
.80		.10	26	4745B2801	sink (hot water)
		.10	27		Note: refer to page 12 for sink components
.25	9	.15	28	4754B0901	galley rest (plastic)
.50	10	.65	29	4757-2621	hinge
.10	11	.85	30	4748A3951	door pull (includes screw)
.15	12	.15	31	4757B3981	door panel x3 - 13" x 8"
.15	13	.15	32	4733-6391	latch & strike pkg.
		.10	33		
			34		
					* Add .50 with heater



Note: There was a late year model change on the upper galley assy.'s (3560 Fairview). Please make sure of the galley layout you have, before ordering repair parts.



Note: refer to page 14 for hardware

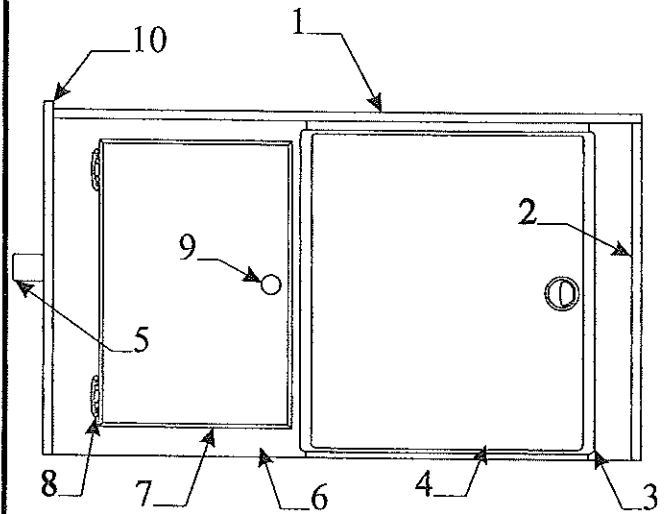


* Add .50 with heater

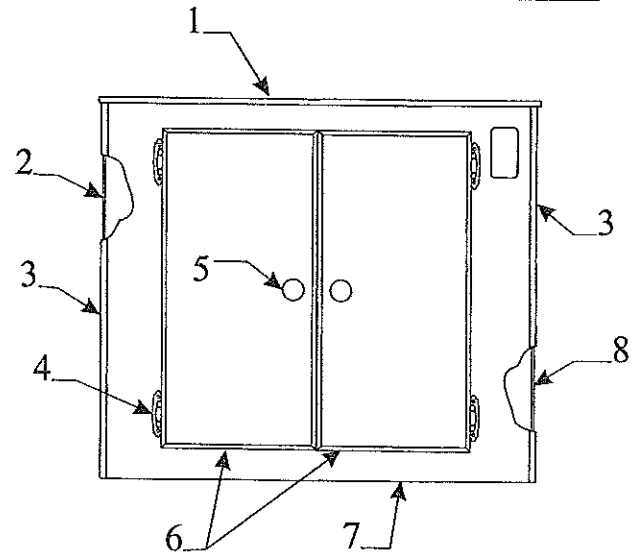
Flat Rate	Upper & Lower Galley Assy. Components - 3560, 3561	Code	Part #	Description
1.00	1 **4756A9501 galley top lt. w/out hot water 3560	.15	11	4757B3981 door panel x3 -13" x 8"
1.25	**4757A2581 galley top lt. 3561(3560 w/hot water)	.10	12	4748A3951 door pull (includes screw)
1.00	1A **4756B9501 galley top rt. w/out hot water 3560	.20	13	4754-0501 latch
1.25	**4757B2581 galley top rt. 3561(3560 w/hot water)	.15	14	4733-6391 door latch & strike
.60	2 **4754B8441 lift-out stove counter top rt. 3560,61	.50	15	4757-2621 hinge (all)
.60	2A **4754C8441 lift-out stove counter top lt. 3560,61	1.25	16	4756B9101 lower galley top 3560
.30	4060475001P t-molding pkg. (14' pc.)	.20		4757D2551 lower galley top 3561
	Note: refer to page 13 for stove components	.75	17	4746C0971 kill switch m4
.35	3 4750A8481 stove support	.75		4756A9091 lower galley frt. right 3560
.35	4 4754-0461 stove support brkt.	.75		4757A2571 lower galley frt. right 3561
.10	5 4723B5061 safety strap	.15	18	4757A2531 door pnl. 18 1/2" x 13 3/4"3560,61
.05	6 4730A3548 stud w/screw	.10	19	4739B0518 hinge
.30	7 4710F0301 sink w/out hot water 3560	.10		4745C26188 hinge (spring loaded)
.80	4745B2801 sink 3561 (3560 w/hot water)	.50	20	4754A0481 built-in cooler 3560,61
	Note: refer to page 12 for sink components	.75	21	4756B9161 lower galley frt. left 3560
.40	8 4734D0161 hand pump 3560	.75		*4757A2571 lower galley frt. left 3561
1.00	4745E2741 mixer faucet 3561 (3560 w/hot w)	.15	22	4755A4081 door pnl. 19" x 9 1/8" 3560
	Note: refer to page 12 for pump components	.15		4757A4041 door pnl. 14" x 9 1/8" 3561
.15	9 4744A9261 knuckle latch m4	.35	23	4756B0011 gazoodi 3561
.30	10 4757A2991 galley support pole 3560,61	.30		4060400091P lipped t-molding (12' pc. Pkg)
	4752-0551 plastic cap m2	.10	24	4743-3551 furnace grill
		.10	25	4716-9691 hose strap pkg.
		.10	26	**4759-6201 cutting board 3560,61

**Revised: 4/26/02

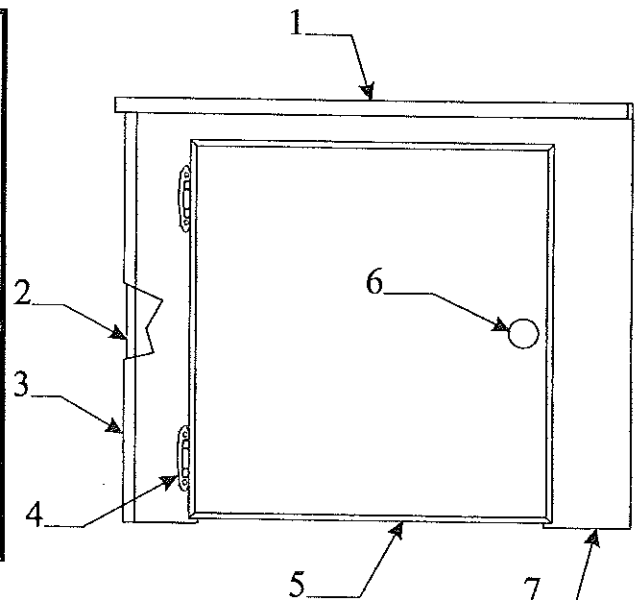
Flat Rate	RS Code	Hutch Components Part #	3570 Redwood, 3592 Tacoma Description
.25	1	4754C8321	hutch top 3570
.25		4752F4601	hutch top 3592
.30		4060462506P	t-molding pkg. (10' pc.)
.30	2	4754B8261	seat gazoodi 3570
.30		4752F4571	cabinet side 3592
.75	3	4756A9031	cabinet frt. Rt. 3570
.75		4752F4561	cabinet frt. rt. 3592
.50	4	4754A0481	built-in cooler
.25	5	4754B0901	galley rest (plastic)
.75	6	4754A8331	cabinet front "left" 3570
.75		4752J4551	cabinet front "left" 3592
.15	7	4755A4081	door pnl. 19" x 9 1/8" 3570
.15		4757A2531	door pnl. 18 1/2" x 13 3/4" 3592
.10	8	4745C26188	hinge (spring loaded)
.10	9	4748A3951	door pull (includes screw)
.30	10	4755B2901	gazoodi 3592
.30		4060400091P	lipped t-molding (12' pc. Pkg.)

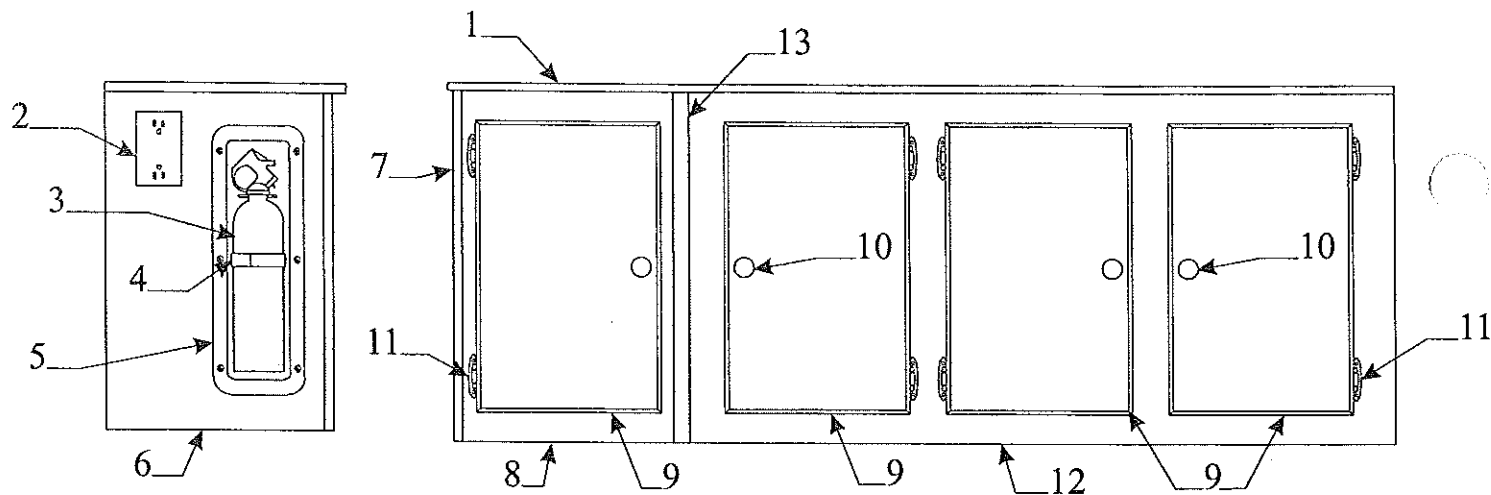


Flat Rate	Hutch Components Part #	3560 Fairview (doorway left) Description
.25	1	4756A9891 hutch top
.30		4060462506P t-molding pkg. (10' pc.)
.30	2	4756B9571 hutch side "left"
Note: refer to page 20 For fire extinguisher		
.35	3	4716A1421 5/32" f-channel 24" pc.
.10	4	4745C26188 hinge (spring loaded)
.10	5	4748A3951 door pull (includes screw)
.15	6	4755A4081 door panel 19" x 9 1/8"
.75	7	4756C9881 hutch front
.50	8	4756C9901 hutch side "right"

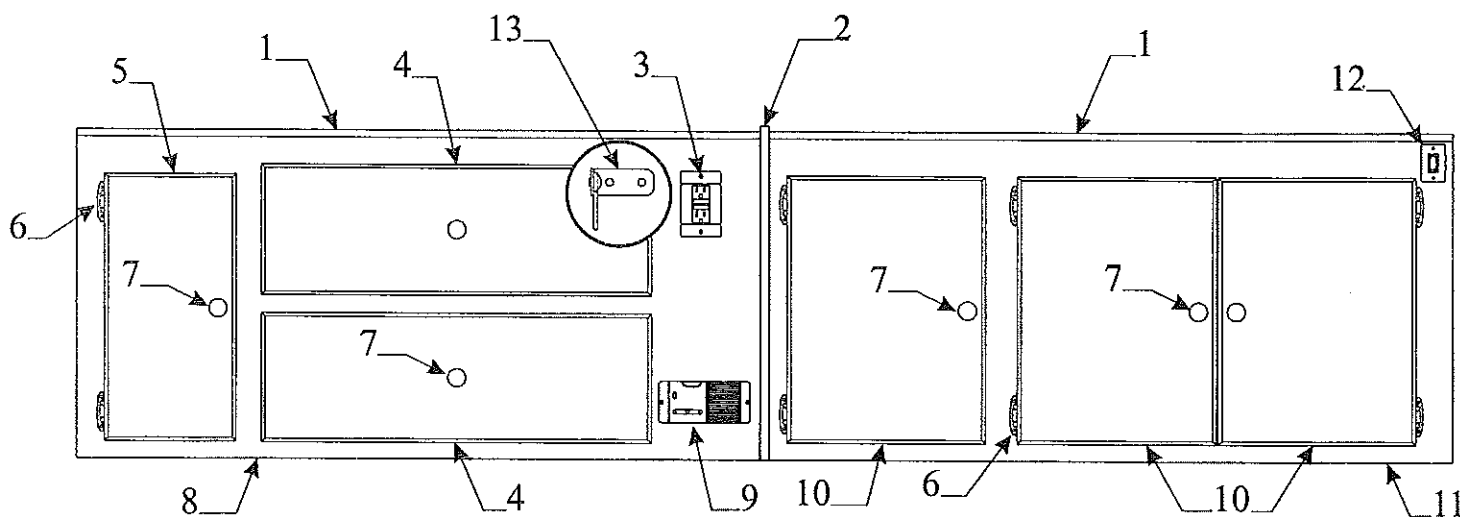


Flat Rate	Curbside Corner Cabinet Components Part #	3575,70,76 Description
.25	1	4747E3321 csf cabinet top 3575
.25		4754B9061 csf cabinet top 3570
.25		4756C4701 csf cabinet top 3576
.30		4060462506P t-molding pkg. (10' pc.)
.30	2	4747F3351 cabinet side 3575, 70
.30		4756C4671 cabinet side w/door cutout 3576
.65	3	4716D0151 3/8" f-channel 24" pc.
.10	4	4745C26188 hinge (spring loaded)
.15	5	4754B0711 door pnl. 16 1/8" x 15 1/4" 3575,70
.15		4757A3221 door pnl. 17" x 15 1/4" 3576
.15		*4757A2531 door pnl. 18 1/2" x 11 3/4" 3576
*Note: door pnl. used on lg. cab. Side of 3576		
.15		4733-6391 latch & strike pkg.
.10	6	4748A3951 door pull (includes screw)
.50	7	4747F3281 cabinet front 3575,70
.50		4756C4691 cabinet front 3576



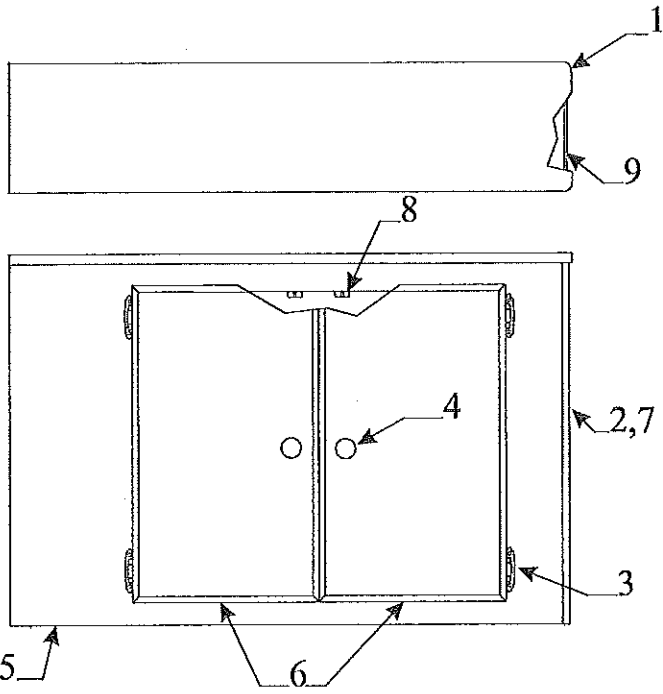


Flat Rate	Code	Part #	Description	Flat Rate	Code	Part #	Description
.75	1	4754D0511	hutch top	.55	6	4754D0521	hutch side
.30		4060462506P	t-molding pkg. (9' pc.)	.65	7	4716D0151	3/8" f-channel 24" pc.
.20	2	4752-2361	15 amp receptacle	.50	8	4754E0491	hutch front "small"
.10	3	4737A5558	fire extinguisher	.15	9	4757A3211	door panel x4
.05	4	4716-1191	fire extinguisher strap m2	.10	10	4748A3951	door pull (includes screws)
.15	5	4737B4198	recessed mount	.10	11	4745C26188	hinge (spring loaded)
		4738-3088	screw x6	1.25	12	4757A3391	hutch front "large"
				1.00	13	4754C054	3/8" h-channel 22 1/8" pc.

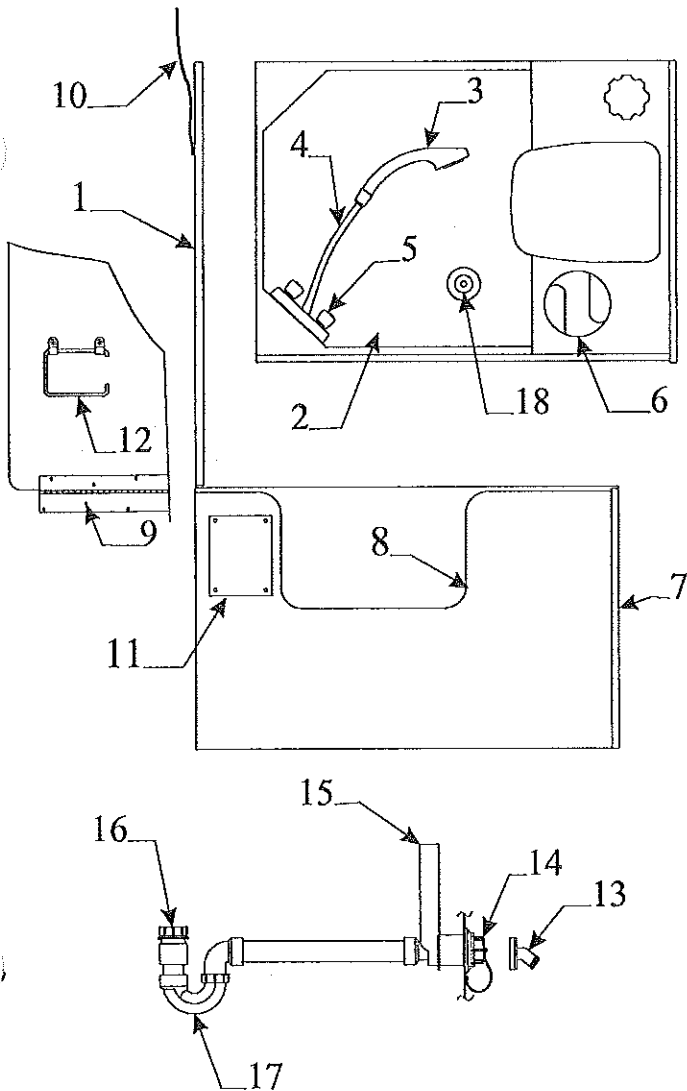


Flat Rate	Code	Part #	Description	Flat Rate	Code	Part #	Description
.75	1	4757B2501	hutch top x2	.10	6	4745C26188	hinge (spring loaded)
.30		4060462506P	t-molding pkg. (9' pc.)	.10	7	4748A3951	door pull w/screw
.75	2	4757A3461	cabinet bulkhead	1.25	8	4757C2521	hutch front "left"
.30		4060400087P	t-molding pkg. (12' pc.)	.25	9	4753-9171	lp gas detector
.35	3	4746B3841	GFI receptacle	.15	10	4757A2531	door pnl. 18 1/2" x 13 3/4"
.15	4	4757D6651	drawer assy. x2	1.25	11	4757C2511	hutch front "right"
				.10	12	4733C4981	rocker switch
.15	5	4755A4081	door pnl. 19" x 9 1/8"	.10	13	4744B5851	drawer stop w/screws

Note: refer to page 23 for drawer components

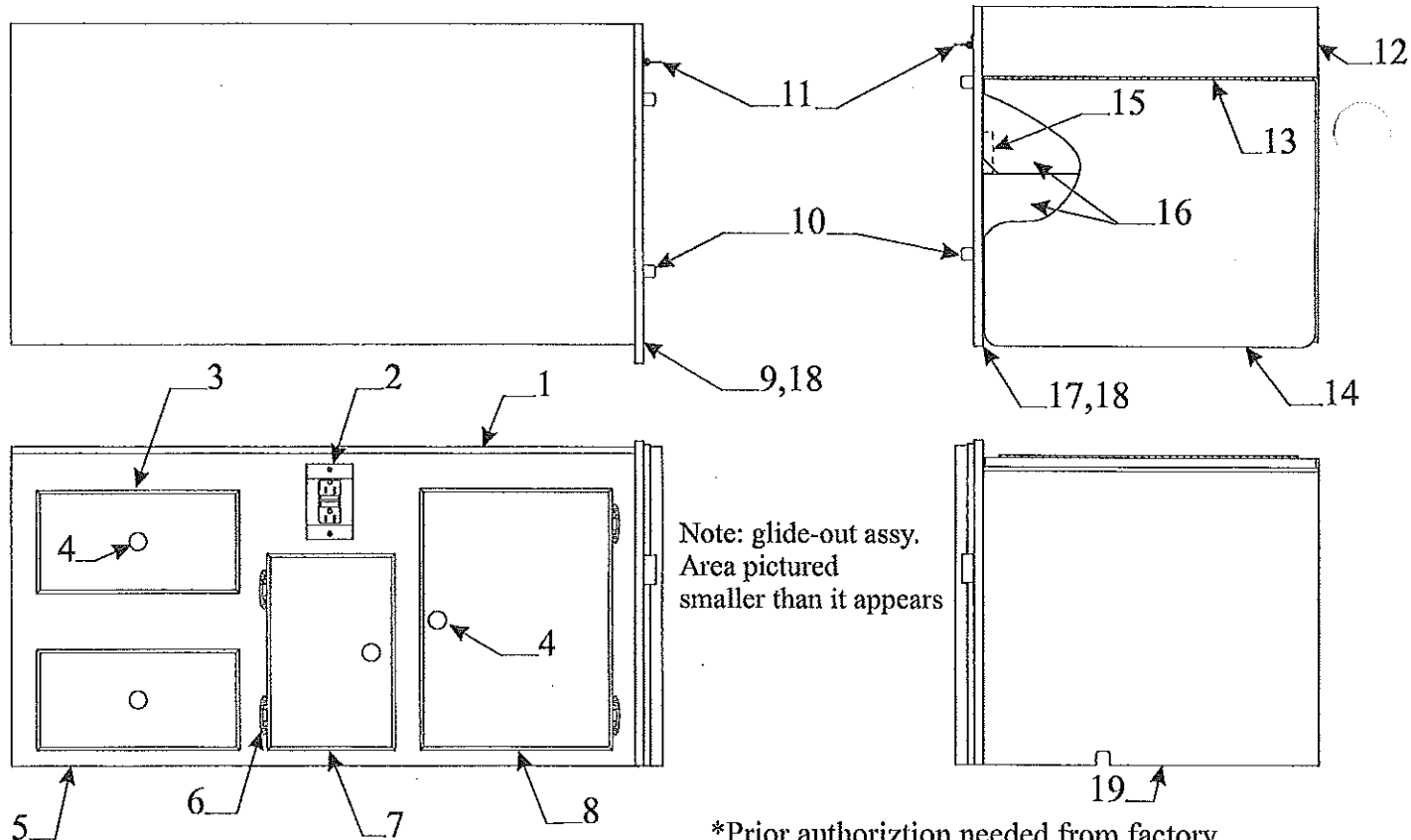


Doorway Hutch Assembly, 3561,3592			
Flat Rate	Code	Part #	Description
.25	1	4755B3851	cabinet top
.30		4060462506P	t-molding pkg. (9' pc.)
.35	2	4716C0151	3/8" f-channel 24" pc.
.10	3	4745C26188	hinge (spring loaded)
.10	4	4748A3951	door pull (includes screws)
.30	5	4752G4691	cabinet side
.15	6	4757A2531	door assy. 18 1/2" x 13 3/4"
	7	Note: refer to page 20 for fire extinguisher	
.15	8	4733-6391	latch & strike pkg.
.30	9	4752F4951	cabinet front



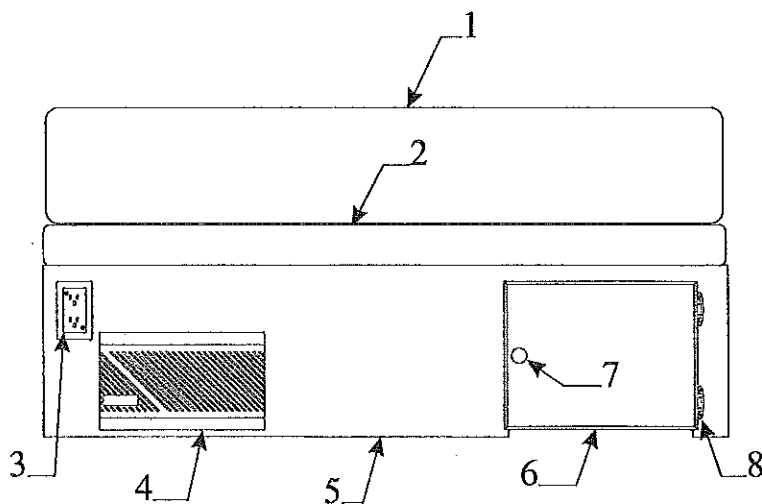
Shower Stall Components 3561 Timberlake			
Flat Rate	Code	Part #	Description
.40	1	4757B6841	shower cover board
.30		4060450003P	1/2" lipped t-molding (6' pc.)
1.50	2	4758C6701	shower pan & cabinet
.15	3	4746A3761	shower head w/bracket
.20	4	4741B2051	shower hose (72" length)
.50	5	4741B2071	shower diverter
.10		4716-0848	shower hose connector
.75	6	4756-2251	cassette potty
.75	7	4754C3861	shower wall
.30		4060400091P	5/8" t-molding pkg. (12' pc.)
1.50	8	4756E2531	shower threshold
		4060450003P	1/2" lipped t-molding (6' pc.)
.25	9	4756-4441	shower board hinge
.15	10	4755A5681	hold-up strap
.25	11	4757-2171	shower hose cover
.15	12	4756-9121	TP holder
		4747-2531	1/4" nylon clamp m2
	13	4737-9138	drain adapter
.10	14	4714A2861	cap & strap
.15		4749-4131	shower drain gasket
1.00	15	4741B9301	vent system
.50	16	4757-8561	trap adapter
.50		4752-3631	rubber washer
.40	17	4752-3621	p-trap w/union joint
.50	18	4746A1821	basket & strainer
	19	4741D6361	tub package.

Package includes: shower head, hose, head bracket, drain adapter

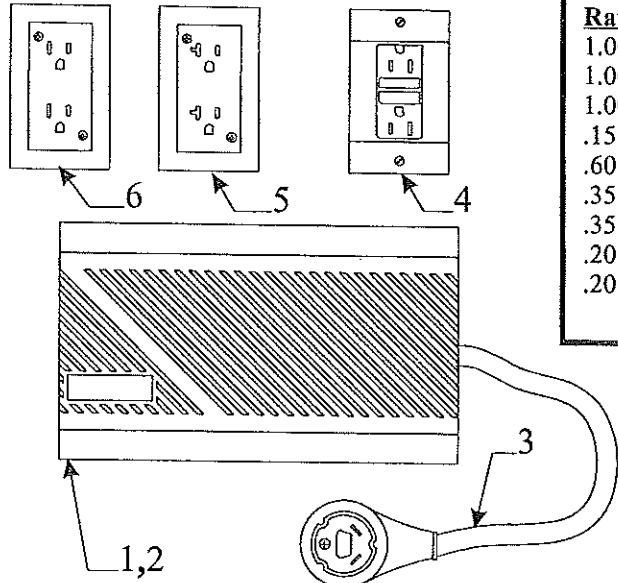


*Prior authorization needed from factory

Flat Rate	Code	Part #	Description	Flat Rate	Code	Part #	Description
.75	1	4756A9211	hutch top	*	10	4755B8201	nylon block x2
.30		4060462506P	t-molding pkg. (9' pc.)	*	11	4755-4111	vertical seal extrusion (alum)
.35	2	4746B3841	GFI receptacle			4064700589P	black seal (rubber)
.15	3	4758D5691	drawer assy. x2	.50	12	4756A9551	cabinet top (fixed)
		Note: refer to page 23 for drawer components		.30	13	4756-9531	hinge
.10	4	4748A3951	door pull w/screw	.30	14	4756B9541	lift-up cabinet lid
1.25	5	4756A9191	hutch front	.30		4060462506P	t-molding pkg. (9' pc.)
.10	6	4745C26188	hinge (spring loaded)	.15	15	4756-8741	plastic shelf rest m4
.15	7	4754B0561	door pnl. 14" x 9 1/8"	.25	16	4756C3161	removable shelf x2
.15	8	4757A2531	door pnl. 18 1/2" x 13 1/2"	.75	17	4757-4361	cabinet gazoodi
.75	9	4756A9511	hutch gazoodi	.30	18	4060400091P	t-molding (12' pc. Pkg)
				.75	19	4756B9521	cabinet front

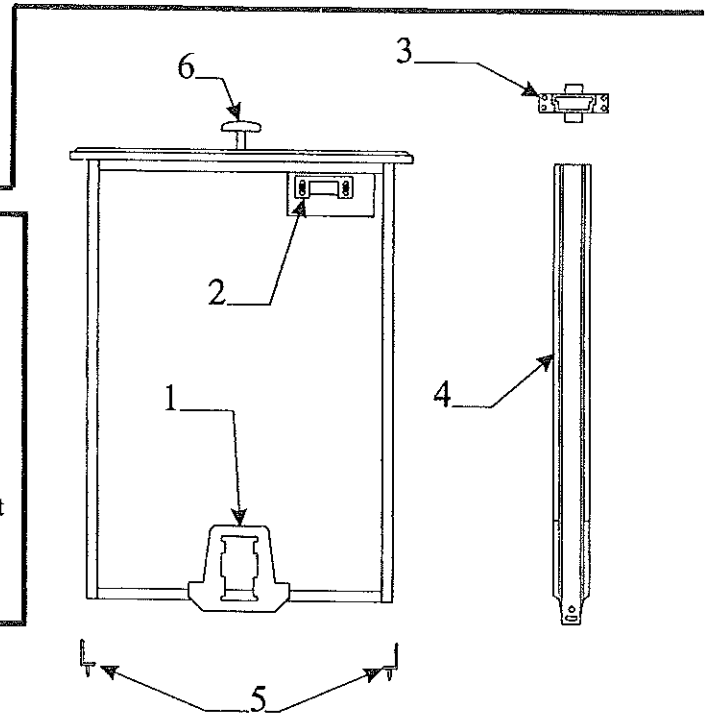


Flat Rate	Code	Part #	Description
.10	1	4758A6921	backrest assy.
.25		4716A6921	backrest cover
.10	2	4758A6901	cushion assy.
.25		4716A6901	cushion cover
.20	3	4752-2361	15 amp receptacle
	4	Note: refer to opposite page for this item	
.50	5	4756B9911	bench front
.15	6	4756B9921	door pnl. 15 3/4"x11 3/4"
.10	7	4748A3951	door pull w/screw
.10	8	4745C26188	hinge (spring loaded)



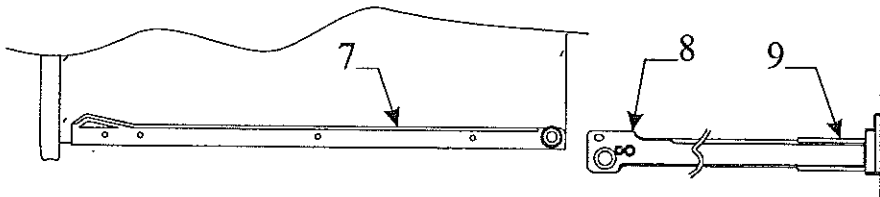
Flat Rate	Code	Part #	Description
1.00	1	4742C9811	converter 12 amp (Elixir cs 1200)
1.00		4753B8201	converter 20 amp (Elixir cs 2000)
1.00		4757-3401	15/20 amp combo breaker
.15	2	4716A1301	converter face cover (plastic)
.60	3	4744-3101	power cord 30 ft.
.35	4	4746B3841	GFI receptacle w/cover (wht.)
.35		4755-8321	20 amp GFI receptacle w/cover (wht.)
.20	5	4752-2371	20 amp receptacle w/cover (wht.)
.20	6	4752-2361	15 amp receptacle w/cover (wht.)
	7	4746A3851	receptacle box

Elixir/Centurion Converter
Tech Support Phone # 1-800-848-0558

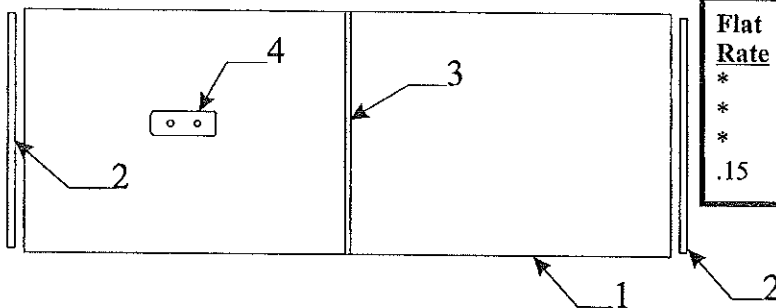


Flat Rate	Code	Part #	Description
.15	1	4749-8371	plastic base guide
.15	2	4749-8381	plastic drawer latch
.15	3	4749-8361	plastic guide socket
.25	4	4754-0721	metal drawer guide
.05	5	4749-8398	plastic corner tack
.10	6	4748A3951	door pull w/screw
.50	7	*4716-8841	16" drawer guide pkg.
.50	8	*4716-8911	22" drawer guide/socket set (Must cut to length)
.25	9	*4755-8801	plastic socket "left"
.25		*4755-8811	plastic socket "right"

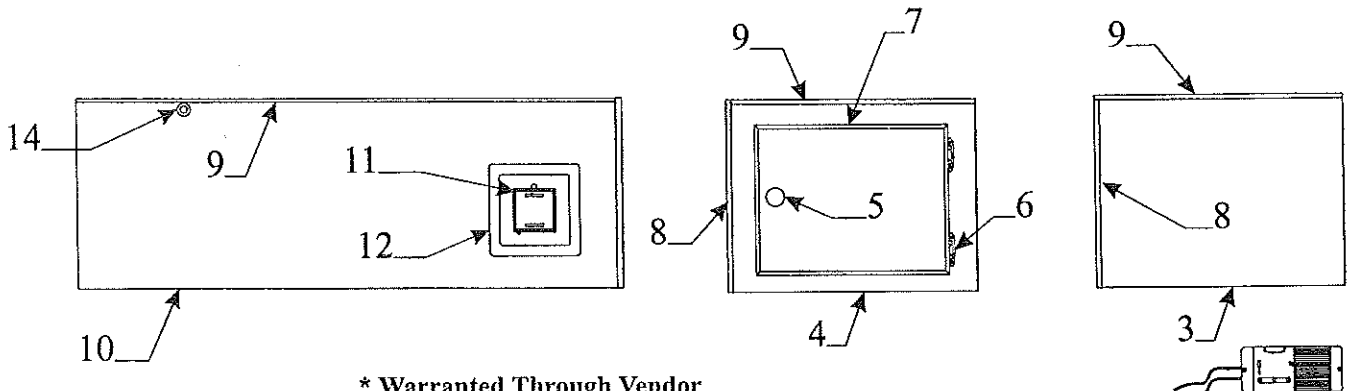
* Note: parts used only on 3561 Timberlake
rs hutch large drawers x2



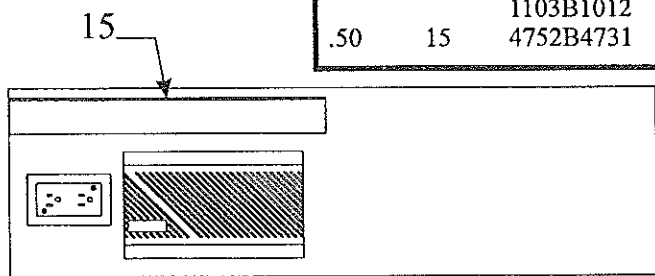
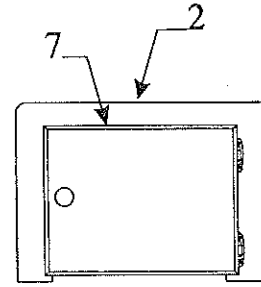
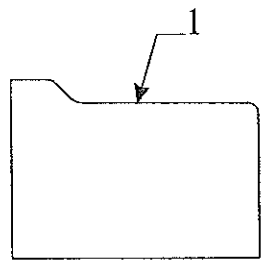
* Prior Authorization Needed



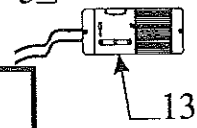
Flat Rate	Code	Part #	Description
*	1	4754E1361	universal wall panel 48" x 23 13/16"
*	2	4716C1321	universal corner divider m2 48" pc.
*	3	4716C1331	universal panel divider m2 48" pc.
.15	4	4754B0901	galley rest



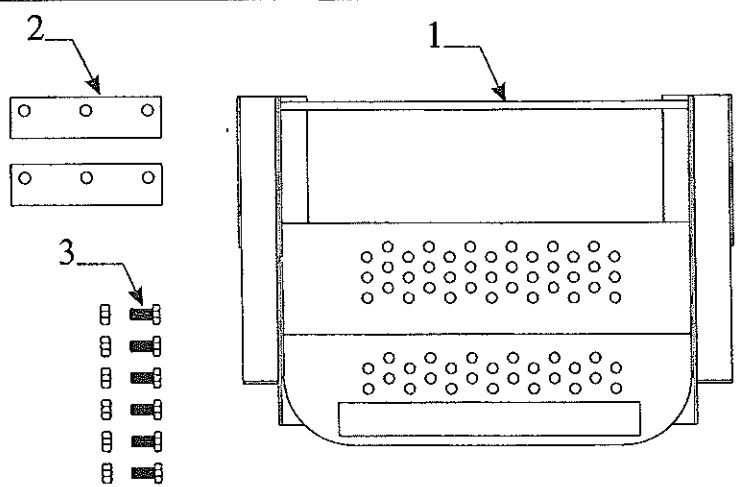
* Warranted Through Vendor



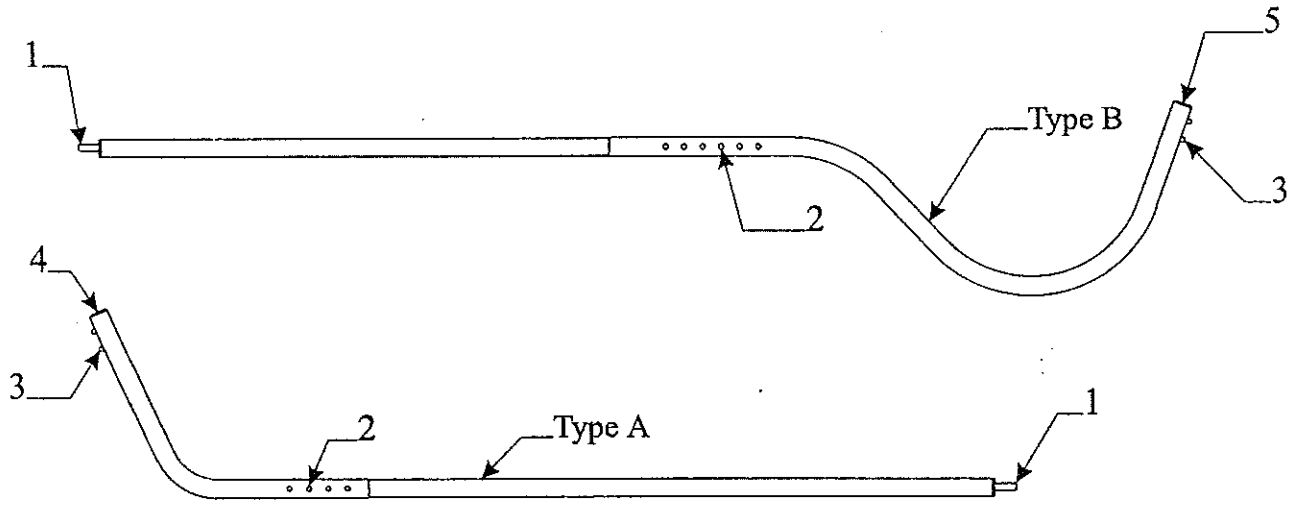
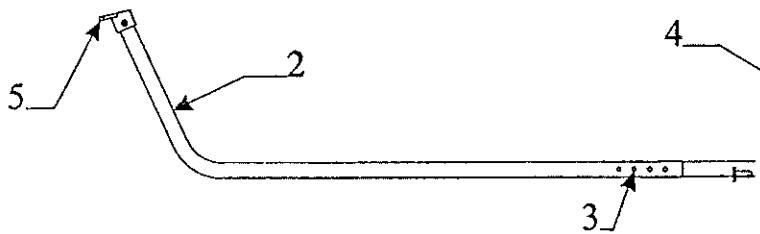
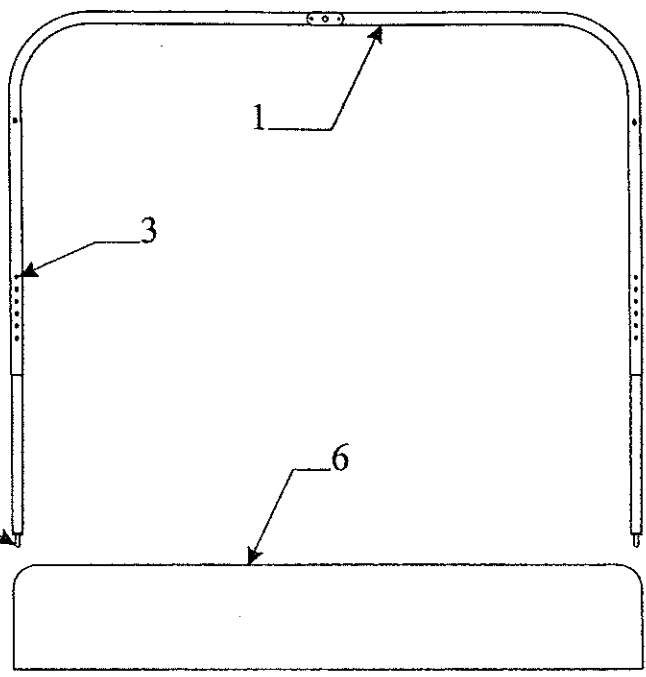
Flat Rate	Code	Part #	Description
.30	1	4749G9881	seat end curbside bench 3575
.30		4060400091P	t-molding 5/8" lipped (12' pc. Pkg.)
.30	2	4749H9891	seat end roadside bench 3575
.30		4752E4771	seat end w/door cutout csf bench 3592
.30		4060450003P	t-molding 1/2" lipped (12' pc. Pkg.)
.30	3	4755B8161	seat end (both benches) 3576
.30		4755C1061	seat end (both benches) 3561,70
.30	4	4754D0371	seat end (glide-out benches) 3560
.15	5	4748A3951	door pull w/screws
.10	6	4745C26188	hinge (spring loaded)
.15	7	4756A9621	door panel 16" x 12 1/4" 3560,3592 (glide-out benches on 3560)
.65	8	4716A1421	5/32" f-channel 24" pc.
.50	9	4060015603P	5/32" u-channel 48" pc.
.50	10	4716B2721	bench panel 14 1/2" x 48"
*	11	4752-8461	thermostat
.20	12	4747-8391	plastic base & bracket
.25	13	4753-9171	lp gas detector
.10	14	4724-2608	stop button
		1103B1012	#10 3/4" screw
.50	15	4752B4731	cushion rest (must cut to size) 3592 Tacoma



Flat Rate	Step	Components	Description
.50	1	4747A9741	step
	2	4750-3361	step shim x2
	3	1200B3048	bolt x6
		1201B6068	nut x6



Tip-out/Glide-out Tent Bow 3560, 3592			
Flat Rate	Code	Part #	Description
.10	1	4759-5761	tip-out tent bow 3592 Tacoma
.10		4756A2071	glide-out tent bow 3560 Fairview
.05	2	4759-5751	tip-out tent support 3592 Tacoma
.05		4756B6661	glide-out tent support 3560 Fairview
	3	4734-6708	snap spring
.20	4	8470-1728	black pin m10
.10	5	4757-1351	tent support tip w/screw
		4733B4511	steel loop m2 (located on top assy.)
.10	6	4757-4281	tip-out support board



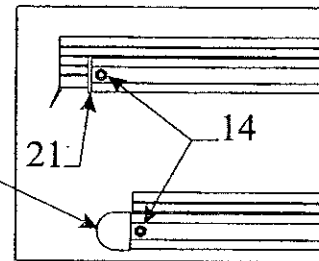
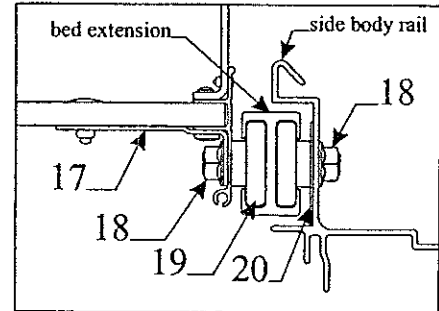
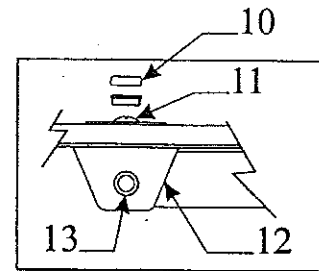
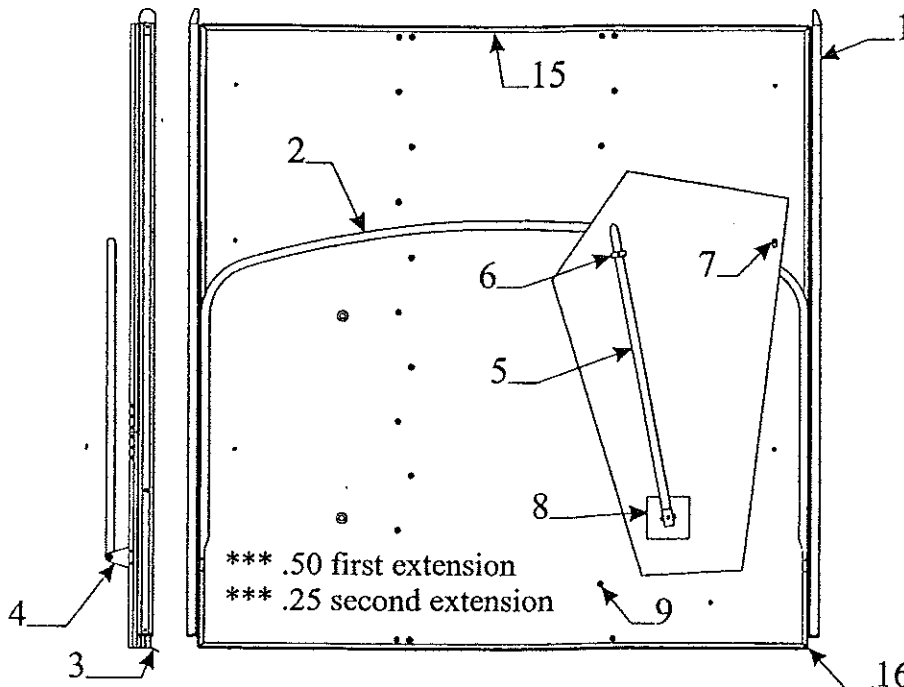
Tent Support Components			
Flat Rate	Code	Part #	Description
.20	1	8470-1728	pole pin "black" m10
.10	2	4734-6708	spring assy.
.10	3	4734A6708	spring assy.
.10	4	4730B4648	tube closure "white"
.10	5	4752A0561	tube closure "black" m2

Tent Support Assemblies (Complete)				
Flat Rate .10 per Tent Support				
Model	Type	Front Bed	Type	Rear Bed
3575 Taos	A	4747A5731	A	4747A5731
3576,3570	B	4741G5581	B	4741F5591
3560,61,92	B	4741G5581	B	4741G5581

(

)

)



- 3576,60,61,92 4755B5161 Front Bed Assy. "Complete"(king) F.R. - .75
- 3570 4758A5931 Front Bed Assy. "Stationary" F.R. - .75
- 3570 4758A5941 Front Bed Assy. "Flip-over" F.R. - .50
- 3570,76 4754D5701 Rear Bed Assy. "Complete" (double) F.R. - .75
- 3560,61,92 4754D5691 Rear Bed Assy. "Complete" (king) F.R. - .75

F.R. .10 Matt assy.
Mattress Assemblies & Covers Flat Rate .50 per cover

Flat Rate	Front/Rear Bed Assy. Components 3570,76,60,61,92	Code	Part #	Description
***		1	4716U4031	bed extension (x2 per bed) Note: must cut to size if needed for rear bed assy.
.25		2	4714B1901	tent bow/leg package
.25		3	4060300339P	vinyl bed seal pkg. (8' pc.)
.15		4	4720G5631	bed bow bracket (x2 per bed)
.20		5	4734E5881	bed leg assy. m2 (x2 frt.all/rear 3570,76)
.20	**	4753-3811	4753-3811	bed leg assy. (x2 rear bed 3560,61,92)
.15		6	4720C0771	bed leg clip m4
			1203-8831	rivet m25 (rivet clip to bed)
.15		7	4720D4021	lashing hook m6
			1203-8741	rivet m25 (rivet hook to bed)
.20		8	4737A4178	support plate
		9	1203C8721	rivet m25
		10	4739E2908	screw cap m10
			4739-2918	screw cap washer m10
		11	4716-074	screw
			1202B2528	washer
.20		12	4734A5141	bed leg bracket
		13	4720A2361	rod & pal nut
.20		14	1034B16128	flat head screw
			1201B6378	lock nut
1.50		15	4733D0921	*inside bed frame (front bed 3576,60,61,92)
1.50			4739C4631	inside bed frame (rear bed 3570,76)
1.50			4756A8561	inside bed frame (stationary bed) 3570
1.50			4756A8551	flip-over bed frame 3570
1.50		16	4744B9991	*outside bed frame (front bed 3576,60,61,92)
1.50			4720F1181	outside bed frame (rear bed 3570,76)
1.50			4756A8541	outside bed frame (stationary bed) 3570
.20		17	4755A2591	bed brkt. w/mounting hardware x4
		18	4739-2298	lock nut
.50		19	4754-8101	bed roller, nut, bolt, & washer pkg.
		20	1202B2908	washer
.15		21	4754-8631	bed slide end cap
.15		22	4754-4821	bed slide wedge
.40		23	4737E8691	bed rest 3570 (located on frt. stationary bed)

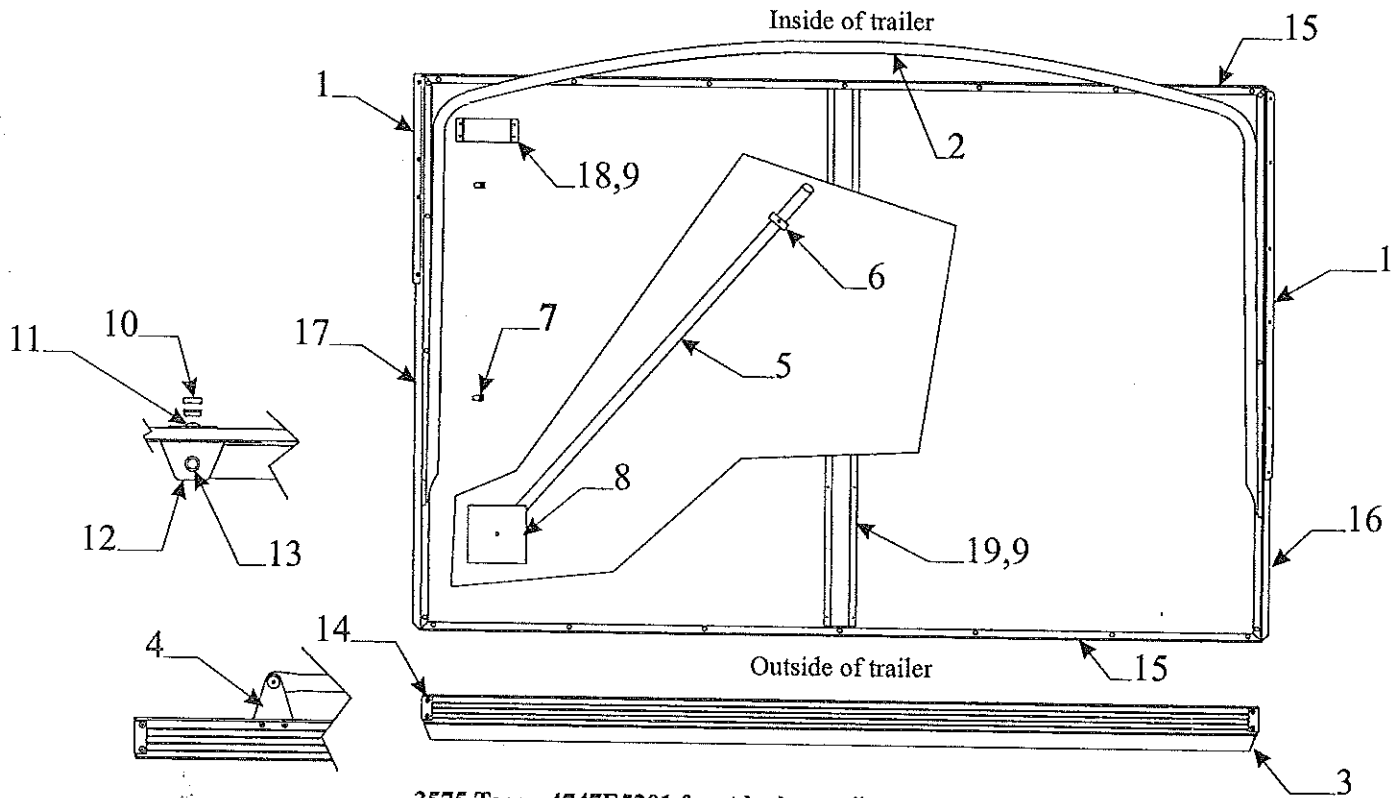
Model	Frt. Matt. assy.	Frt. Matt. Cover
3575 Taos	4749L6361	4716L6361
3576,60,61,92	4757A6421	4714A6421
3570 (small)	4755C5731	4716C5731
3570 (large)	4755C5721	4716C5721

Model	Rear Matt. assy.	Rear Matt. Cover
3575 Taos	4749L6361	4716L6361
3570,76	4757C5091	4716C5091
3560,61,92	4757A6421	4714A6421

Mattress Assembly Dimensions		
Model	Frt. Matt. Assy.	Rear Matt. Assy.
3575 Taos	72" x 48" x 3 1/2"	72" x 48" x 3 1/2"
3576 Sedona	77" x 70" x 3 1/2"	77" x 48" x 3 1/2"
3560,61,92	77" x 70" x 3 1/2"	77" x 70" x 3 1/2"
3570 (small)	77" x 16 1/2" x 3 1/2"	77" x 48" x 3 1/2"
3570 (large)	77" x 53" x 3 1/2"	

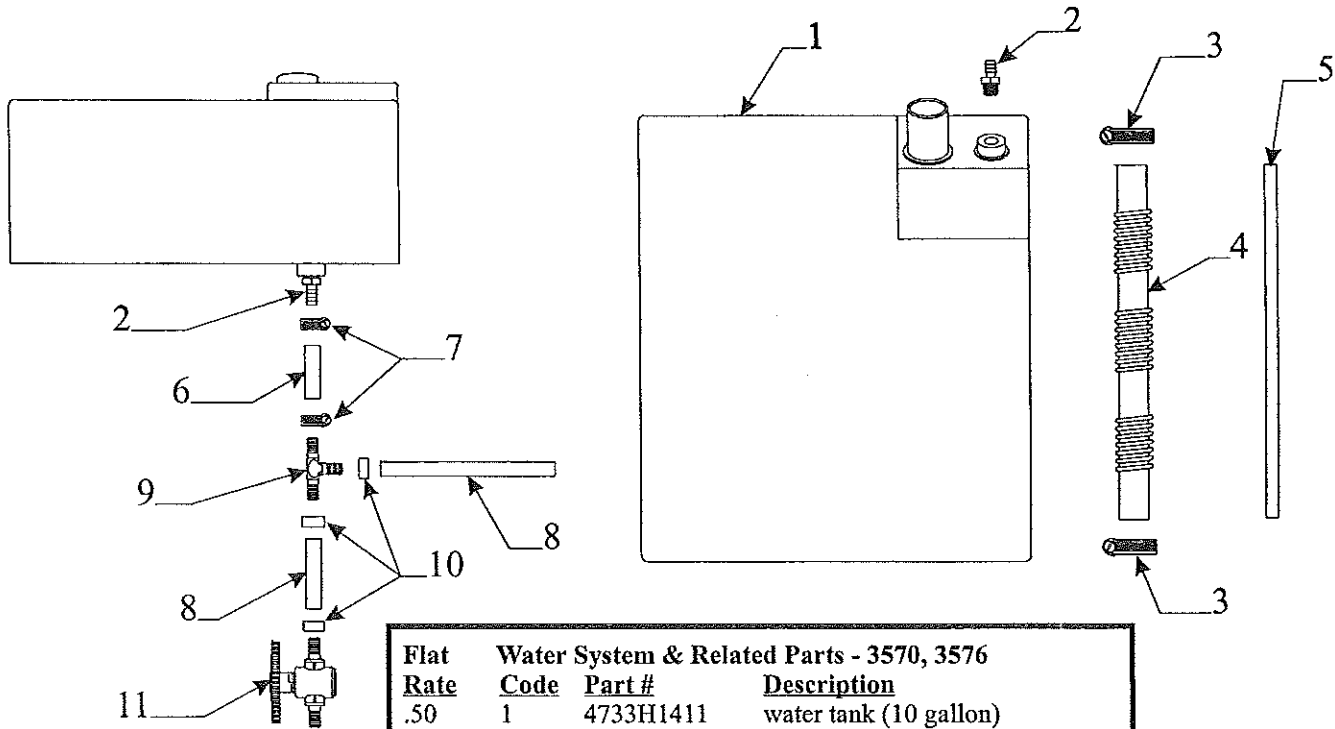
* Note: inside & outside rear bed frames are the same as front bed on 3560,61,92

**Revised 12/13/00



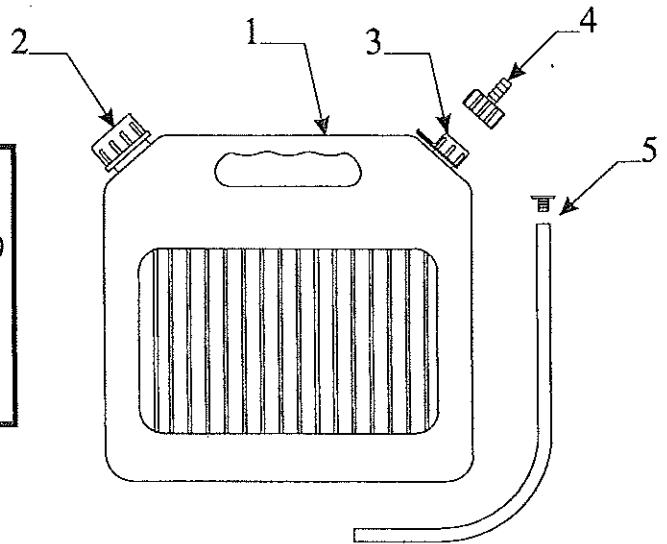
3575 Taos - 4747E5201 front bed assy. "complete" (double) F.R. - .50
 3575 Taos - 4747E5481 rear bed assy. "complete" (double) F.R. - .50

Flat Rate	Frnt. & Rear Bed Assy. Code	Components Part #	Description
.40	1	4747C4051	plastic bed slide 18"
.40		4747C3691	plastic bed slide 40"
		4752-3061	rivet m25
.25	2	4714A1901	tent bow/leg package
.25	3	4060300339P	vinyl bed seal pkg. (8' pc.)
.15	4	4720G5631	bed bow bracket x2
.20	5	4734E5881	frt. bed leg assy. m2
.20		4750-6171	rear bed leg assy. x2
.15	6	4720C0771	bed leg clip m4
		1203-8831	rivet m25
.15	7	4720D4021	lashing hook m6
		1203-8741	rivet m25
.20	8	4737A4178	support plate
	9	1203C8721	rivet m25
	10	4739E2908	screw cap m10
		4739-2918	screw cap washer m10
	11	4716-074	screw
		1202B2528	washer
.20	12	4734A5141	bed leg bracket
	13	4720A2361	rod & pal nut
.20	14	4747A3221	corner angle x4
		1203-8641	rivet m25
.50	15	4747A3241	front & rear bed frame
.60	16	4747A3231	side rail csr/rsf
.60	17	4749A8151	side rail csf/rsr
.20	18	4749A4891	bed stop
.40	19	4747A1161	bed channel

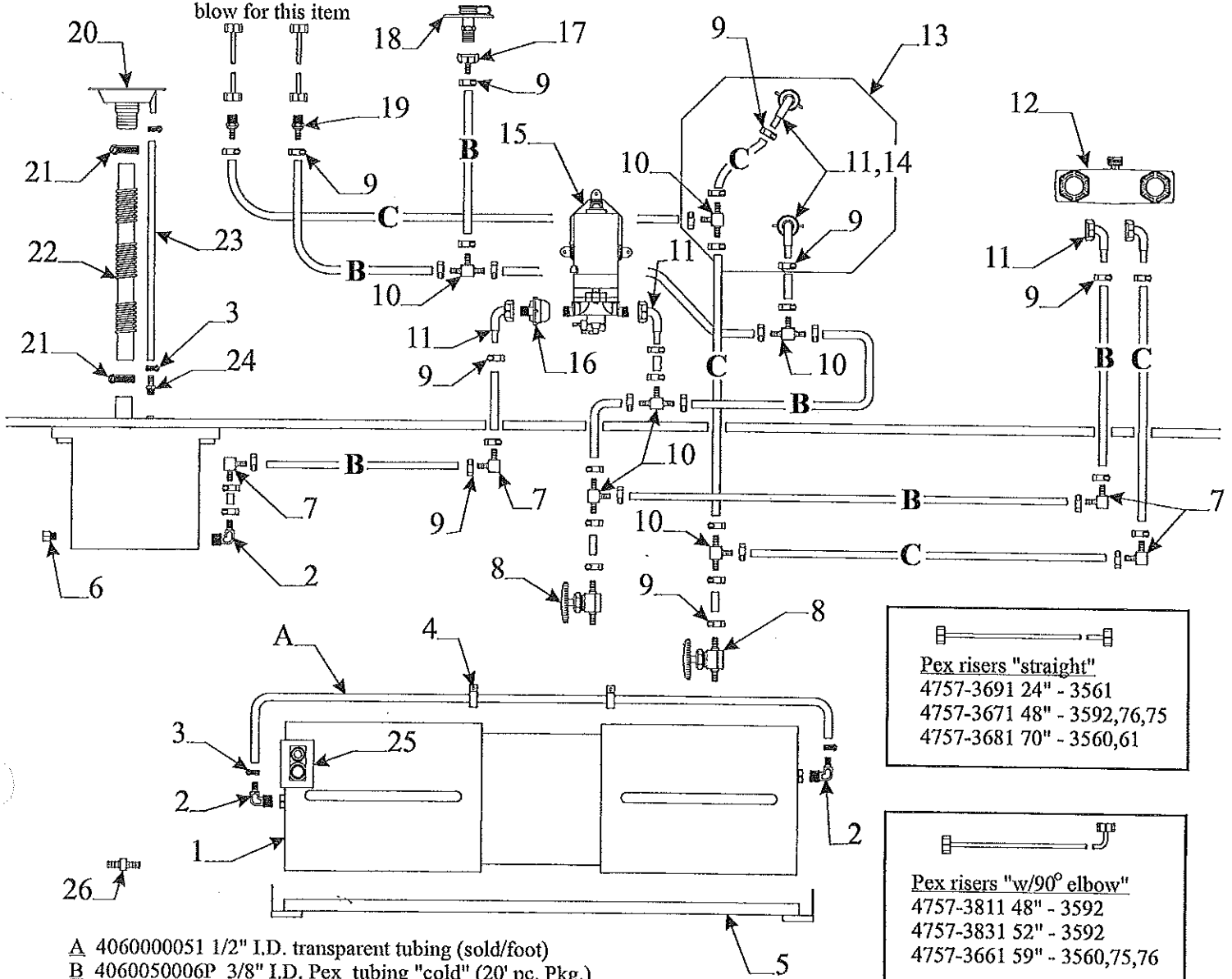



Water System & Related Parts - 3570, 3576				
Flat Rate	Code	Part #	Description	
.50	1	4733H1411	water tank (10 gallon)	
.15	2	4732C4561	hose adapter	
	3	4715-4501	1 1/4" hose clamp	
.35	4	4731H1081	water fill hose 24" pc.	
	5	4060050003F	1/2" h.p. hose (sold/foot)	
	6	4714-038	3/8" h.p. hose (sold/foot)	
	7	4731-3058	adjustable hose clamp	
	8	4060050011P	blue plastic tubing (10' pc. Pkg.)	
.25	9	4741B2381	barbed tee	
	10	4741-2758	ring clamp	
.20	11	4741D2361	line drain	


Portable Water Tank 3575 Taos				
Flat Rate	Code	Part #	Description	
.10	1	4735-2131	water tank 5 gal. (complete)	
		4735C0988	water tank decal	
	2	4714-0231	large cap	
	3	4714-0221	small cap & strap	
	4	4714-0241	barb stem & collar	
	5	4714A0671	suction stem	



To mixer faucet
see riser info
blow for this item




Pex risers "straight"
 4757-3691 24" - 3561
 4757-3671 48" - 3592,76,75
 4757-3681 70" - 3560,61

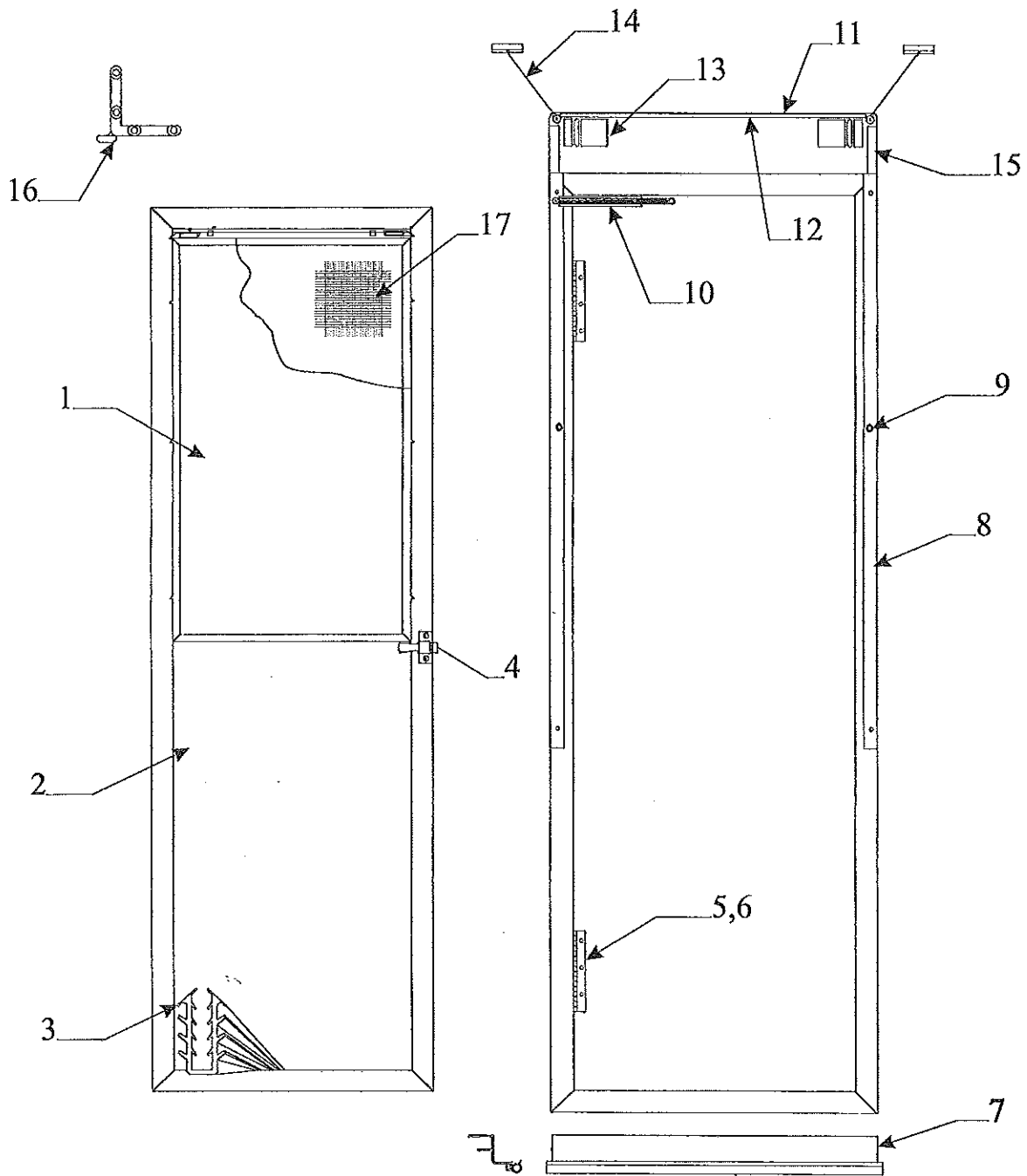

Pex risers "w/90° elbow"
 4757-3811 48" - 3592
 4757-3831 52" - 3592
 4757-3661 59" - 3560,75,76

A 4060000051 1/2" I.D. transparent tubing (sold/foot)
 B 4060050006P 3/8" I.D. Pex tubing "cold" (20' pc. Pkg.)
 C 4060050007P 3/8" I.D. Pex tubing "hot" (20' pc. Pkg.)

4714-038 3/8" I.D. High pressure hose (sold/foot)

Flat Rate	Code	Part #	Description	Flat Rate	Code	Part #	Description
1.50	1	4753B4111	water tank 3560,61	*	13	4750-3421	water heater (all)
1.50		4757-0471	water tank 3592	.20	14	4757-1671	hex nipple "plastic"
.25	2	4741C2371	elbow "plastic"	.50	15	4741C5571	electric water pump
	3	4731-3058	adjustable hose clamp 3/8"	.25	16	4747A8311	water filter
	4	1201-865	tube clamp	.20	17	4741A9561	female adapter "copper"
.20	5	4755A6581	tank hanger 3560,61	.30	18	4732F1521	city fill
.20		4758-5381	tank hanger x2 3592	.20	19	4757-3631	brass adapter 3/8" barb "Pex"
.15	6	1218-7001	plug	.30	20	4731D1711	fill spout
.25	7	4741C2391	brass elbow "Pex" m10	.21	21	4715-4501	adjustable hose clamp
.20	8	4741D2361	brass line drain "Pex"	.20	22	4731H1081	water fill hose (3' pc.)
.25	9	4741A2751	stainless steel clamp m100	.35	23	4060050003F	1/2" h.p. hose (sold/ft.)
.25	10	4741C2381	brass tee "Pex" m10	.20	24	4732B4561	hose adapter
.25	11	4741B9061	copper swivel elbow	.15	25	4742A8631	tank gasket
.50	12	4741B2071	shower diverter	.50	26	4755-4821	brass barbed union m10

* Warranted By Vendor



.30 Flat Rate Screen Door Complete

Note: parts marked w/* asterisk are not included w/screen door							
Flat Rate	Code	Part #	Description	Flat Rate	Code	Part #	Description
		4757B5191	Screen Door Assy.	3575,70,76,60,61,92			
.10	1	4716E3401	top sliding window pane	.05	9	4730A3548	stud w/screw x2
.40	2	4754B1541	stationary window pane	.20	10	4731A8201	spring package
.15	3	4060000086F	rubber seal (sold/foot)	.30	11	4749C8451	top bracket
			Note: around perimeter of window pane	.10	12	4060037505F	grey foam tape (sold/foot)
.15	4	*4742-9671	door latch assembly	.10	13	4350000209F	2" velcro loop (sold/yard)
.15	5	4720C3601	hinge x2	.10		4350000012F	3/4" velcro loop (sold/yard)
	6	1203-8641	rivet m25	.15	14	4734D5211	cable assy. m6
.25	7	*4747A5621	screen door support	.10	15	4350000119F	velcro loop "blk" (sold/yard)
		*4060000399F	rubber seal (sold/foot)	.50	16	4710-3791	corner brace hinge m2
.20	8	4754-3811	vel-stick & hardware (pkg. of 2)	.17	17	4716-1381	screened stationary pane
				.75		4716-1111	screening 36" x 18 1/2"

Dinette Area Cushion/Backrest Assemblies & Covers 3575,76,60,61,92 Flat Rate .10 Assembly - .25 Cover

Model	Cushion Assembly	Cushion Cover	Model	Backrest Assembly	Backrest Cover
3575 Taos	4749M6581	4716M6581	3475 Taos	4749M6571	4716M6571
3576 Sedona	4759A5221	4714A5221	3576 Sedona	4759A5231	4714A5231
3560 Fairview	4758A6891	4716A6891	3560 Fairview	4758A6911	4716A6911
3561,92,70	4756D5571	4714D5571	3561,3492	4758A6721	4716A6721
			3570 Redwood	4756D5561	4714D5561

Cushion Button x2 - 4710-2681 m5

Front Couch Cushion/Backrest Assemblies & Covers 3460 Fairview Flat Rate .10 Assembly - .25 Cover

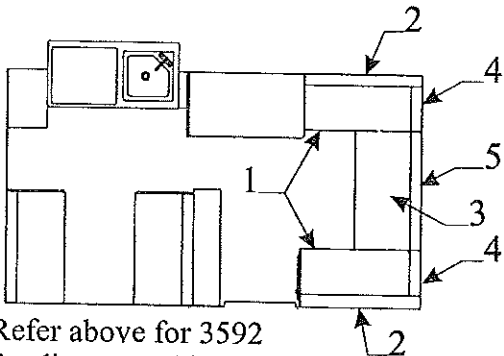
Model	Cushion Assembly	Cushion Cover	Model	Backrest Assembly	Backrest Cover
3560 Fairview	4758A6901	4716A6901	3460 Fairview	4758A6921	4716A6921

Front Couch Cushion/Backrest Dimensions

Model	Cushion Assembly	Backrest Assembly
3560 Fairview	56 1/2" x 20 1/4" x 4"	55" x 13 1/2" x 3 1/2"

Cushion/Backrest Dimensions

Model	Cushion Assembly	Backrest Assembly
3575 Taos	40 5/8" x 19 1/2" x 4"	40 5/8" x 17" x 4"
3576,3460	43 1/4" x 19 3/8" x 4"	42 1/4" x 15 1/2" x 4"
3561,92	39 1/2" x 18" x 4"	38 1/2" x 15" x 4"



Refer above for 3592 for dinette cushion/backrest

Flat Rate	Cushion & Backrest Assy.'s 3592 Tacoma
.10	1 4753F6021 cushion assy. 41" x 19 5/8" x 4"
.25	4716F6021 cushion cover
.10	2 4753E6071 backrest assy. 41 3/8" x 13 3/8" x 4"
.25	4716E6071 backrest cover
.10	3 4759A5771 cushion assy. 41 3/8" x 23" x 4"
.25	4716A5771 cushion cover
.10	4 4756D5401 backrest assy. 14" x 13 3/8" x 4"
.25	4716D5401 backrest cover
.10	5 4759A5791 backrest assy. 41 3/8" x 17 3/4" x 4"
.25	4716A5791 backrest cover

Drape Package (Less Valance Pkg.) 3575,76,60,61,92

Model	Drape Pkg.	# Of Panels	Flat Rate
3575 Taos	4724M8361	4	.30
3570 Redwood	4755C2961	4	.30
3576 Sedona	4759A5211	5	.30
3560 Fairview	4759A5291	6	.30
3561 Timberlake	4757A3021	5	.30
3592 Tacoma	4759A5711	7	.30

Single Drape Panel w/Safety Straps

.15	4716B8731	Single Drape Panel 48" x 48 1/2" - 3575 Taos
.15	4716B8741	Single Drape Panel 35" x 48 1/2" - 3575 Taos
.15	4716B8711	Single Drape Panel 43" x 45" - 3592
.15	4716C8721	Single Drape Panel 35" x 45" - 3570,76
.15	4716B8751	Single Drape Panel 53" x 45" - 3570,60,61,92
.15	4716D9151	Single Drape Panel 22" x 45" - 3560,92
.15	4716E9151	Single Drape Panel 15" x 45" - 3592

Drape Tab C-Shape m60 - 4750-2891 Flat Rate - .05

Drape Tie Package (Qty. 1) - 4753E9791 (all) Flat Rate - .05

Privacy Curtain Pks. (Set of 2 Panel)

.15	4723H7901 - 3570,76,60,61,92
.15	4723M7881 - 3575

Valance Package - 4755C2751 - 3575 Taos
 Flat Rate - .25 4757A3351 - 3576 Sedona
 4755C2761 - 3570 Redwood
 4757A3011 - 3560,3561,3592

Shower curtain "white vinyl" - 4749A6661 - 3561

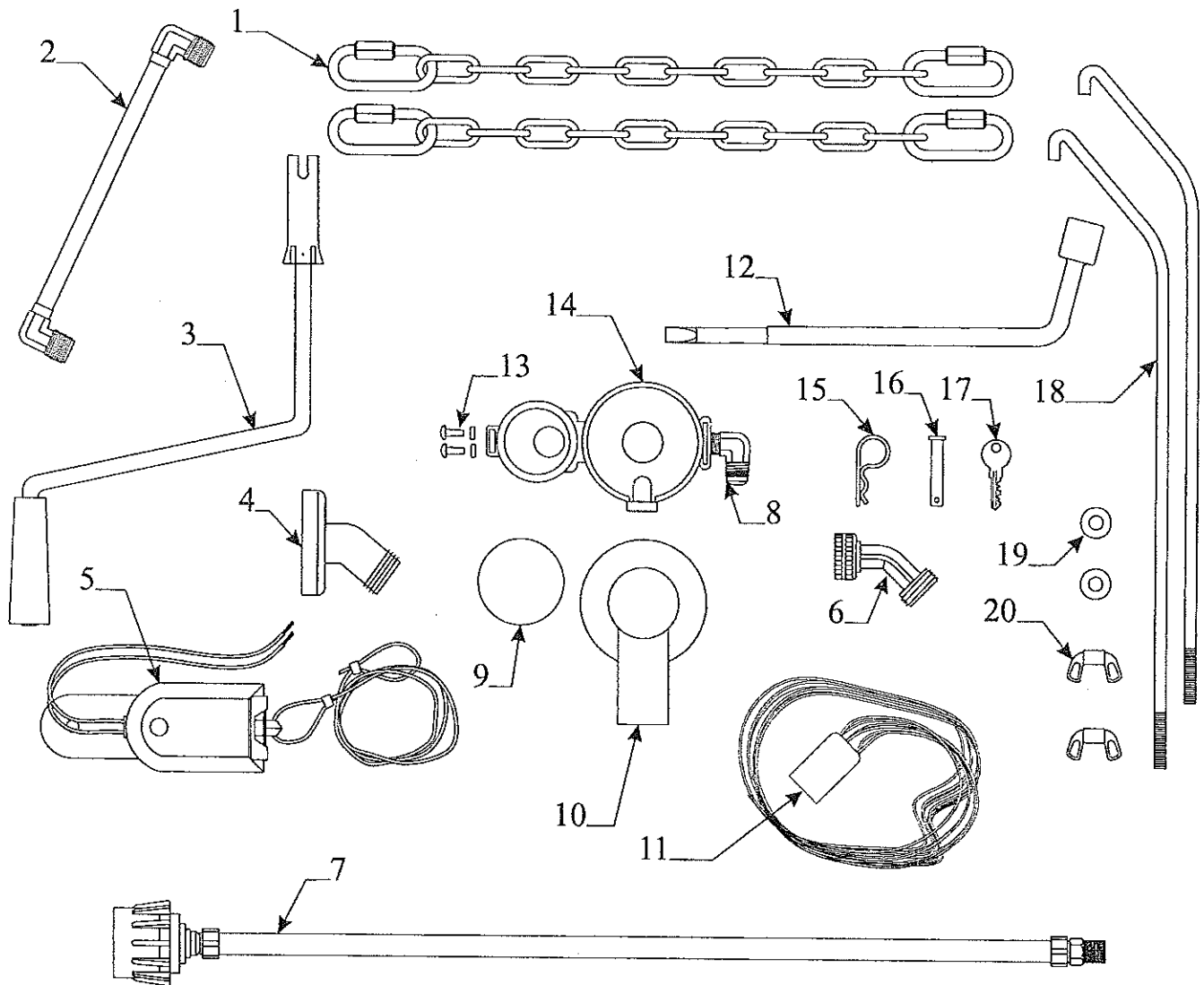
Flat Rate - .20

Shower curtain outer "drape matl." - 4759A5461 - 3561

Flat Rate - .20

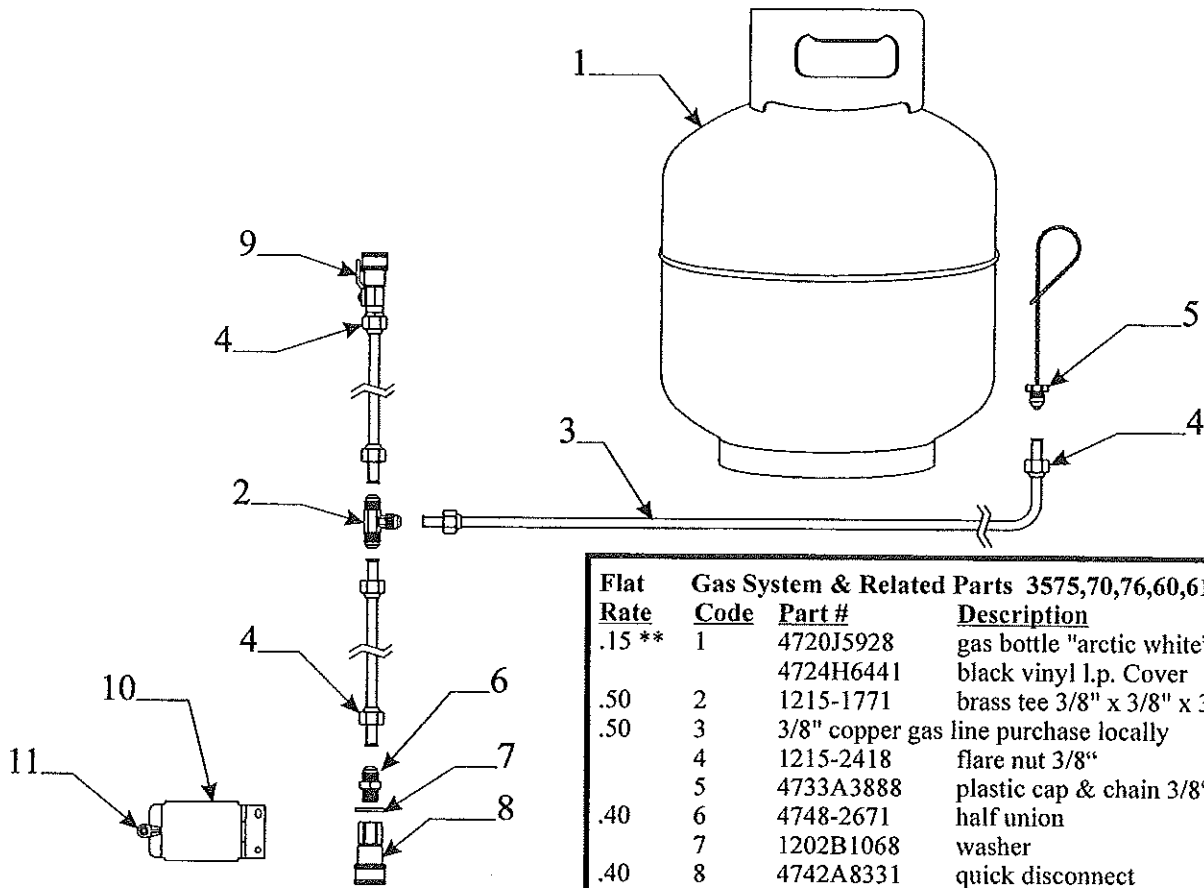
Dressing room curtain - 4758A6991 - 3561 Timberlake

Flat rate - .20



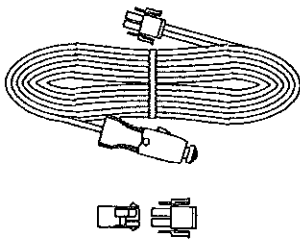
4747H5871 Parts Package 3575 Taos
 4754C85281 Parts Package 3570 Redwood, 3576 Sedona, 3592 Tacoma
 4758A6551 Parts Package 3560 Fairview, 3561 Timberlake

Flat Rate	Parts Package Code	Component Part #	Description	Code	Part #	Description
	1	4757-3901	29" tow chain w/quick links m2	12	4749A1861	lug nut wrench
		4757-3891	quick link (1 per pkg.)	13	1143B10081	mounting screw m2
	2	4746-5381	winterizing adapter		0322A3301	brass spacer m2
	3	4747G4141	crank handle	14	4755-0401	regulator "low pressure"
	4	4737-9138	drain adapter	15	4732A4791	safety pin m10
	5	4746-0401	breakaway switch	16	4771-2631	hitch pin m5
	6	4744-2651	gooseneck	17	4730B3211	key m10 # 8025 (gold plated)
.45	7	4733R3991	gas hose w/acme nut	18	4733G6281	gas bottle mounting brkt. Pkg.
	8	4753-8981	3/8" x 3/8" elbow (non hot water)	Note: pkg. includes (2) brkt.'s ,wing nuts,washers		
		4755-0421	1/2" x 3/8" elbow (hot water)	19	1202B0468	washer x2 m10
	9	4751-9571	round regulator cover	20	1201-6258	wing nut x2
	10	4734C3781	regulator cover			
.45	11	4735F6741	pigtail 6 prong 3475			

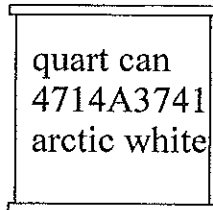


Flat Rate	Code	Part #	Description
.15 **	1	4720J5928	gas bottle "arctic white"
		4724H6441	black vinyl l.p. Cover
.50	2	1215-1771	brass tee 3/8" x 3/8" x 3/8"
.50	3	3/8" copper gas	line purchase locally
	4	1215-2418	flare nut 3/8"
	5	4733A3888	plastic cap & chain 3/8"
.40	6	4748-2671	half union
	7	1202B1068	washer
.40	8	4742A8331	quick disconnect
.40	9	4749B9971	quick disconnect w/shut-off valve
.20	10	4752-5831	quick disconnect cover & hinge
	11	4716-9411	strike, washer & screw pkg.

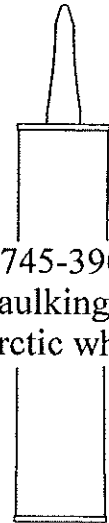
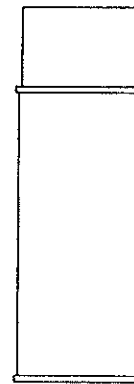
4733D6701 auto extension



4716A4701 12 volt cap & plug m2



quart can
4714A3741
arctic white



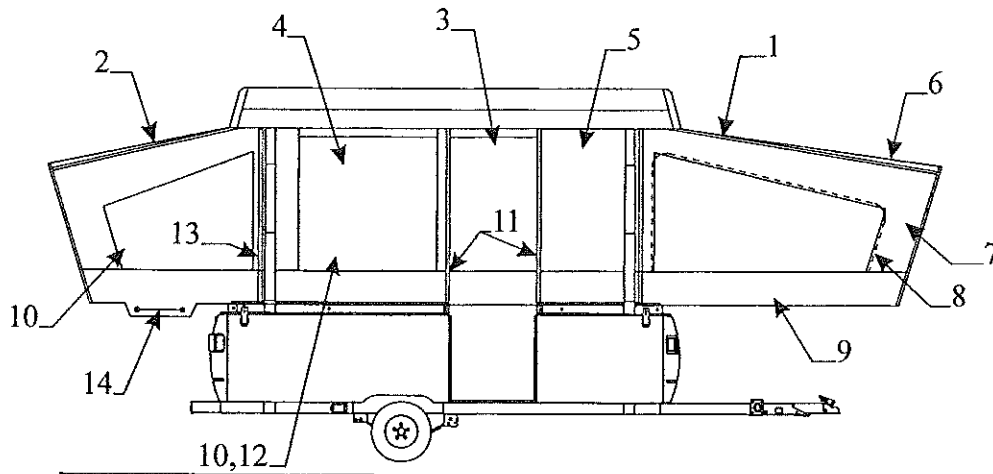
4745-3908
caulking
arctic white

16 oz. spray

0008-2561 arctic white

0008-2471 black

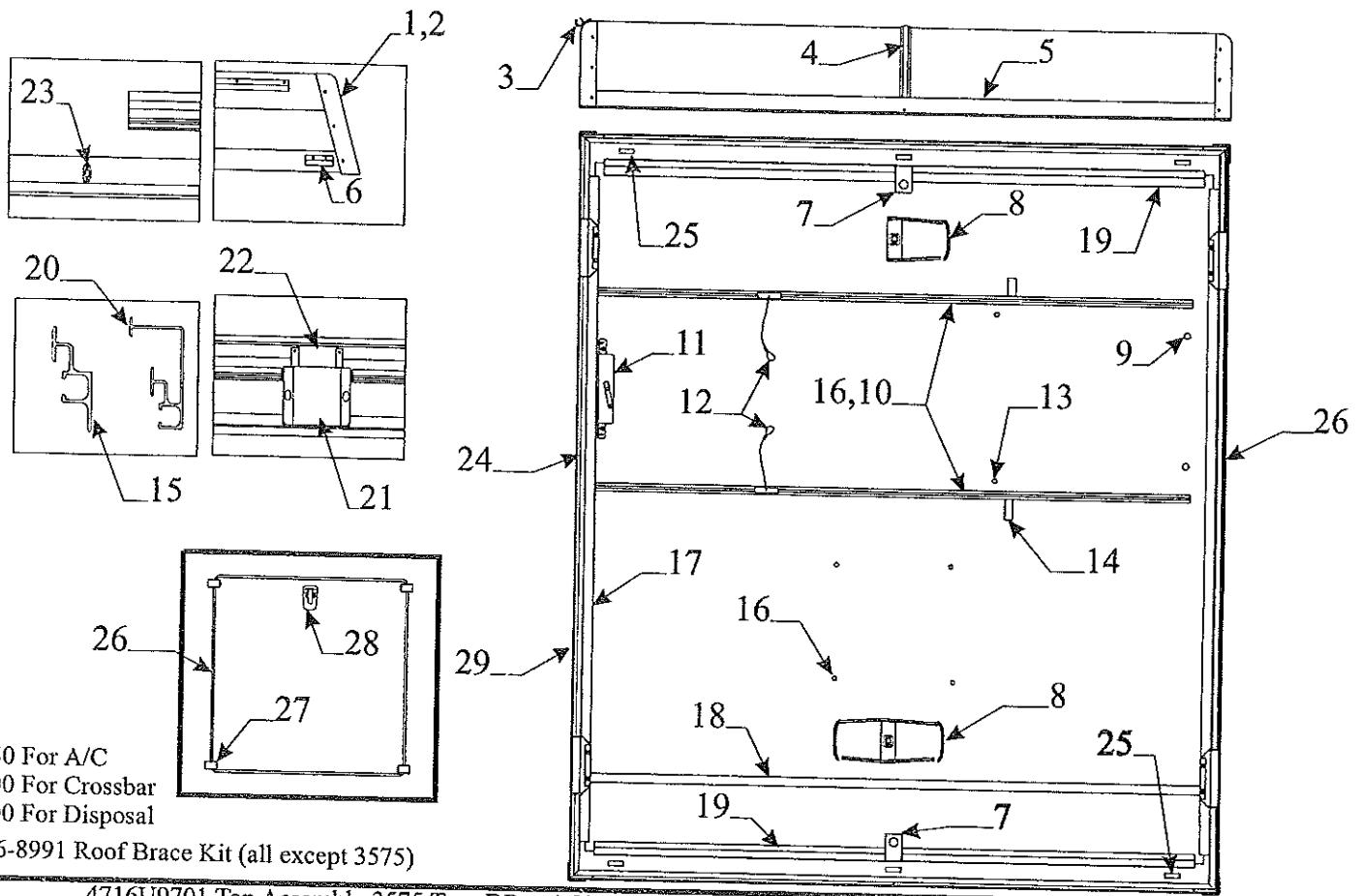
0008-2631 russian maple



Flat Sunbrella Tenting & Components 3575,70,76, 60, 61, 92			
Rate	Code	Part #	Description
.40	1	4753D58661	front boot 3570,76, 60, 61, 92
.40		4747F6531	front boot 3575
.40	2	4753D58761	rear boot 3570,76
.40		4753D58661	rear boot 3560, 61, 92
.40		4747F6531	rear boot 3575
.20	3	4756A58691	large window 3570
.20		4759-5241	large window 3576
.40		4758-6851	large window "glide-out" 3560
.20		4758-6751	large window 3561
.20		4747F65091	large window 3575
.40		4759A5721	large window "w/tip-out" 3592
.20	4	4756A5871	small window 3570
		4759-5251	small window 3576
.20		4758-6771	small window 3560, 61, 92
.20		4747F65291	small window 3575
.15	5	4756B5881	door seal 3570.15
		*4759A5261	door seal 3576
.15		**4758-6861	door seal 3560, 3592
.15		**4758A6761	door seal 3561
.15		4748D66391	door seal 3575
	6	8110101429P	top vinyl pkg. (80" x 3 yards)
	7	4716C0851	sunbrella patch package (12" x 14")
	8	6650500131F	zipper (sold/yard) used around window
		1225A4461	zipper pull m5
	9	8118801450P	bottom vinyl facing pkg. (3 yd. x 80")
	10	4714E1611	screen package (84" x 3 yards)
		4714A0361	screen package (84" x 13 yards)
	11	4350000009P	1" velcro hook (10' pc. Pkg.)
	12	4716-2401	clear window vinyl (41" x 2 yards)
	13	1225G3768	45 1/2" side zipper pin half 3570,76, 60, 61, 92
		1225G3758	45 1/2" side zipper slider half 3570,76, 60, 61, 92
		1225-3658	52" side zipper pin half 3575 Taos
		1225-3668	52" side zipper slider half 3575 Taos
.50	14	4060000045F	shock cord (sold/foot)
.50		4714C6021	shock cord & hooks m2 (two 14' lengths)
.15		4724A2011	shock cord termination (plastic hook) m10
	15	4060000024F	arrowhead seal (sold/foot)
.30	16	4735D6721	extension harness 3570,76,60,61,92
.30		4757-6101	extension harness 3575 Taos
.50	17	4743-1588	k-kote seam sealer
	18	4728-5641	tent retainer pkg.
	19	4710-1001	vinyl daubing "white" m2
		4710-1011	vinyl daubing "grey" m2
		4710-1021	vinyl daubing "green" m2

* Revised 03/15/01

** Revised 04/26/02



1.50 For A/C
1.00 For Crossbar
1.00 For Disposal

4716-8991 Roof Brace Kit (all except 3575)

Flat Rate	Code	Part #	Description	Flat Rate	Code	Part #	Description
		4716U9701	Top Assembly 3575 Taos F.R. - 4.50				
		4716U5101	Top Assembly 3570 Redwood - 3.00				
		4759-5121	Top Assembly 3576 Sedona F.R.- 3.00				
		4758-6781	Top Assembly 3560 Fairview F.R. - 3.00				
		4757C6401	Top Assembly 3561 Timberlake F.R. - 3.00				
		4759-5601	Top Assembly 3592 Tacoma F.R. - 3.00				
.50	1	4716U1981	top corner pkg. (pkg. of 4)	.15	12	4734D5211	screen door cable m6 (all)
		4350000058F	saturated foam tape (sold/foot)		13	4730A3548	stud w/screw x2
	2	4745-3968	screw "painted"	.15	14	4723A5061	strap x2
.50	3	4757-3561	canopy track (must cut to size)	.30	15	4756-0631	tent track (frt./rr.) (all except 3575)
1.00	4	4752-02791	center seam (must cut to size)	.30		4747A1271	tent track (frt./rr.) 3575
		4060400096F	vinyl screw cover (sold/foot)		16	1103E1018	screw stainless steel
		4741-3508	hex head screw		17	1203-9258	plastic accordion rivet m25
.50	5	4350000058F	saturated foam tape (sold/foot)	.20	18	4754A9831	side cove x2 (must cut to size)
		4756-0681	frt./rr. seal extru.(all except 3575)		19	4747-2558	expansion rivet m25
.15	6	4741E21381	frt./rr. seal extrusion 3575	.20	20	4350400004F	vinyl tape (sold/foot)
		4750A9581	top strike m2 (all)			4756A0671	cove (front/rear) (all except 3575)
		4744C2461	torx head screw "painted" m2	.30	21	4741G21481	cove (front/rear) 3575
.15	7	1201B6958	nut (x2 per strike)	.25	22	4747-2558	expansion rivet m25
		4741F11381	tent support brkt.		23	4754A985	tent & val. track (must cut to size)
.15	8	4741C9368	screw "painted" x2	.15	24	1103E1018	screw stainless steel
.15		4737J5911	single dome light (3575 only)	.50	25	4747D5521	lift pocket cover x4 (all)
		4744D4741	double dome light (all except 3575)		26	4741D3558	hole plug x2
		4714J0891	dome light lens		27	4350000005F	velcro loop (sold/yard)
		1103B1028	screw x4		28	4741B5431	lift pocket x4
.30	9	4737-3211	rubber button m8	.75	29	1201B6378	lock nut (x2 per pocket)
		4733H47181	screen door track x2	.75		4750-2978	latch x2
		4744B4611	expansion rivet m25	.75		1203-8951	rivet m25
.70	11	4749C5571	screen door bracket	.75		4060100399P	rubber top seal (40' package)
		4747-2558	expansion rivet m25			4724F2631	velcro hook m6
		4749-2138	snap button m2			4755A5231	shower curtain rod 3561
		1203-8631	rivet m25			4755-5221	shower rod strap x4 3561
						4750-1761	shower head brkt. 3561
						4747C1291	side seal extrusion 3575
						4757A3171	side seal extrusion 3576
						4756A0701	side seal extrusion 3570
						4754C9801	side seal extrusion 3560,61,92

