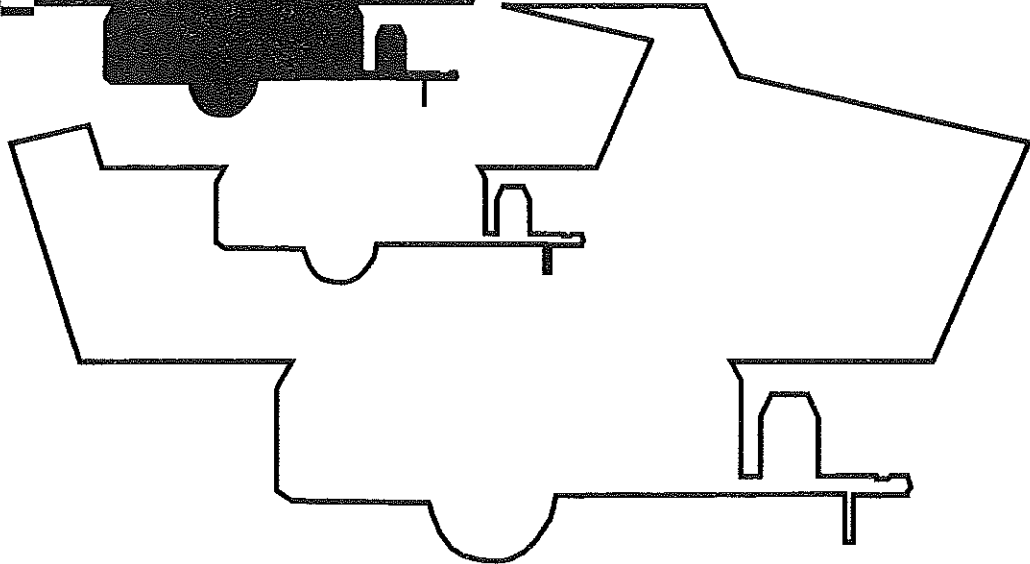


Fleetwood

Folding Trailers

Repair Parts



2000

Destiny Series

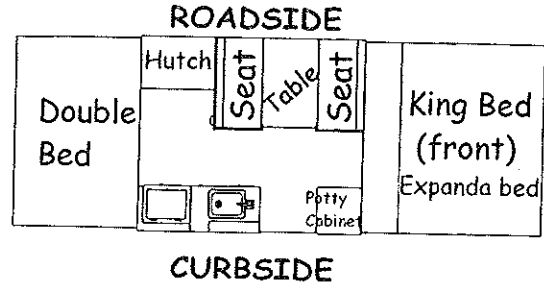
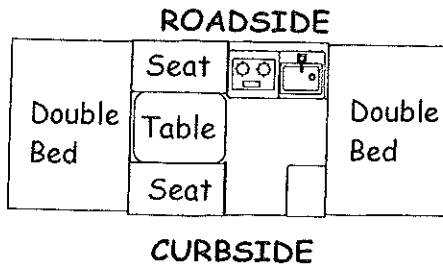
1000 - 1200 - 1400 - 1600 - 1800 - 2000 - 2200 - 2400 - 2600 - 2800 - 3000 - 3200 - 3400 - 3600 - 3800 - 4000 - 4200 - 4400 - 4600 - 4800 - 5000 - 5200 - 5400 - 5600 - 5800 - 6000 - 6200 - 6400 - 6600 - 6800 - 7000 - 7200 - 7400 - 7600 - 7800 - 8000 - 8200 - 8400 - 8600 - 8800 - 9000 - 9200 - 9400 - 9600 - 9800 - 10000



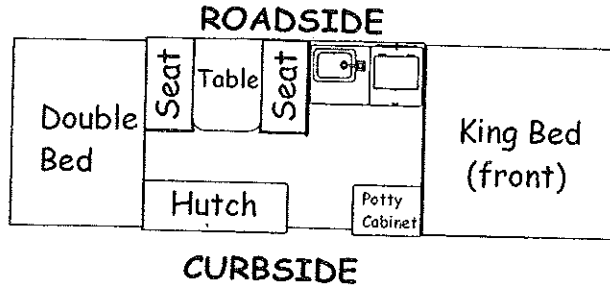
2000 DESTINY series

Note: limited production model
3470 REDWOOD 8 1/2'

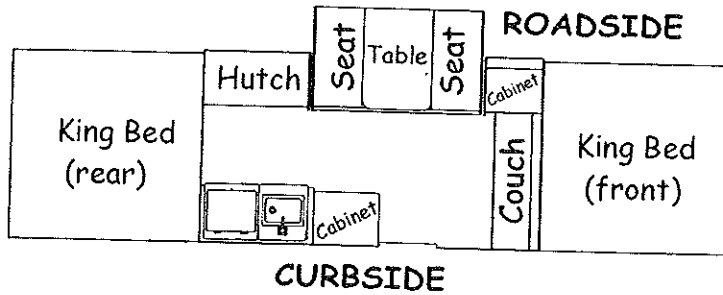
3475 TAOS 8'



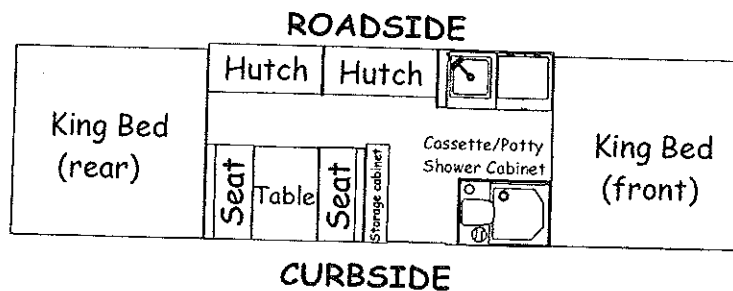
3476 SEDONA 10'



3460 FAIRVIEW 12'



3461 TIMBERLAKE 12'



3492 TACOMA 12'

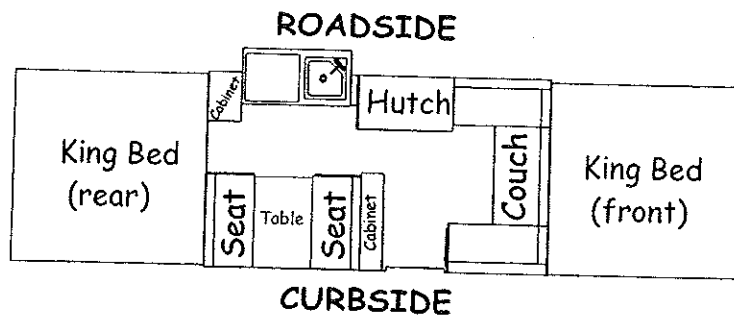
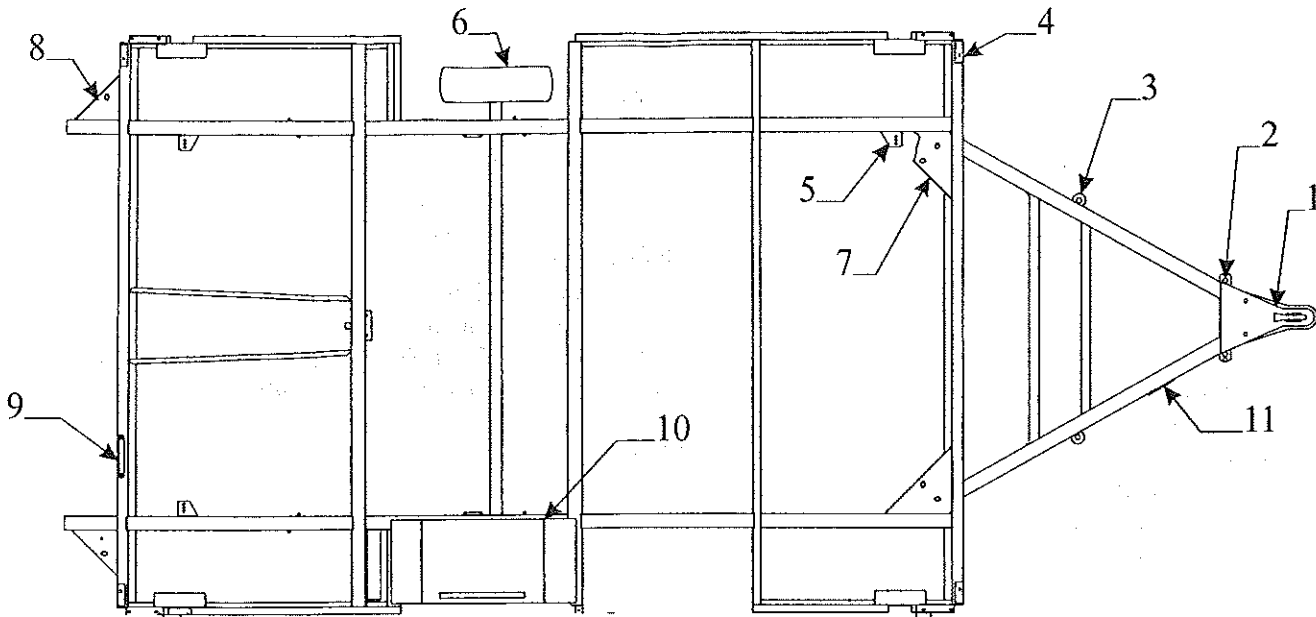


TABLE OF CONTENTS

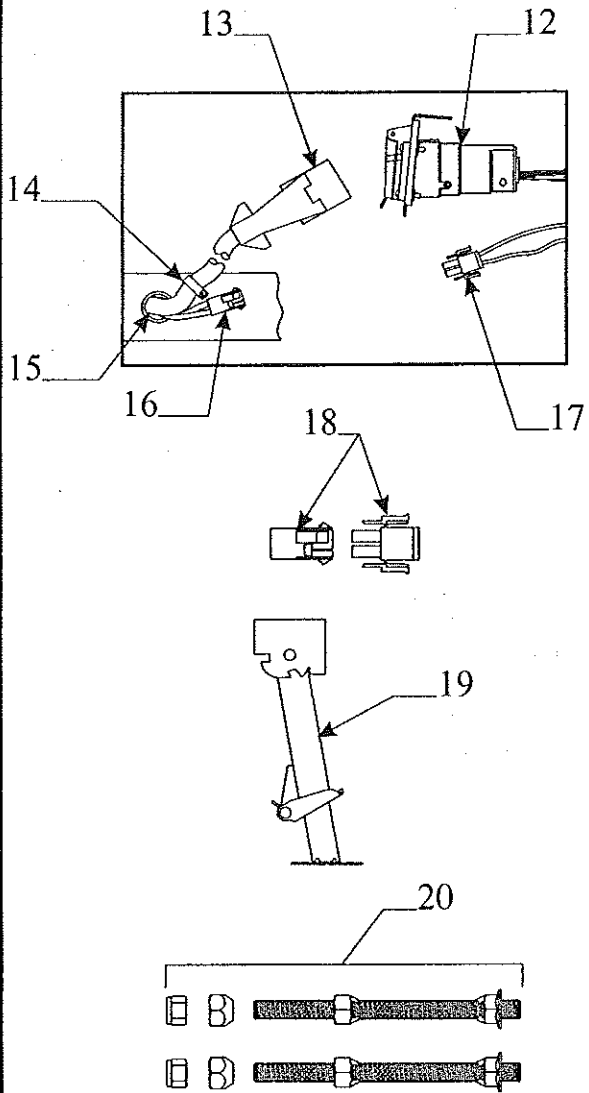
<u>DESCRIPTION</u>	<u>PAGE</u>
Access door key	32
Access door assembly & related parts	9
Auto extension	33
Axle assemblies & related parts	5
Backrest assemblies & covers	31
Bed assemblies	26,27
Bed extensions & related parts	26
Body panel right rear (curbside)	8
Body panel left side (roadside)	10,11
Body panel front & rear (ABS plastic)	7
Body panel right front (curbside)	9
Bumper & related parts	7
Cabinet assembly (corner cabints)	19
Cabinet assembly (rsf cab. w/flip-up lid 3460)	22
Caulking	33
Converter & related parts	23
Cooler (built-in)	18,19
Corner bulkhead assembly	2
Coupler assembly	2
Crank-up/crank-down components	4
Crank handle	32
Cushion assemblies & covers	31
Door bulkheads	8,9
Drain hose (used on sinks)	12
Drape packages & related parts	31
Drawer assembly components	23
Dressing room curtain (3461 Timberlake)	31
Electric brakes & related parts	6
Fire extinguisher & components	20
Floor covering	2
Frame assembly & related parts	2
Gas detector	24
Gas hose (gas bottle hook-up)	32
Gas bottle mounting brackets	33
Gas quick disconnect (outside stove)	33
Gas bottle cover (black vinyl)	33
Gas bottle & related parts	33
Glide-out tent bow (3460 Fairview)	25
Glide-out & related parts (3460 Fairview)	11
Grease cap (dust cap)	5,6
Hub assembly & related parts	5,6
Hutch assembly (roadside 3470,92)	19
Hutch assembly (roadside 3461)	20
Hutch assembly (curbside 3476 Sedona)	20
Hutch assembly (doorway 3460,3461)	19, 21
Lift assemblies & related parts	3
Lift trim & miter covers	8,9
Lower galley components (3475 Taos)	14
Lower galley components (3476 Sedona)	15
Lower galley components (3470 Redwood)	16
Lower galley components (3492 Tacoma)	17
Lower galley components (3460,3461)	18
Lug wrench	32
Mattress assemblies & covers	26
Paint (spray & quart can)	33
Paneling & trim	23
Parts package & components	32
Pigtail (car end)	2

<u>DESCRIPTION</u>	<u>PAGE</u>
Potty "cassette" (3461 Timberlake)	21
Power cord (converter)	23
Receptacle (exterior)	8
Receptacle (interior)	23
Refrigerator vents	10
Regulator & fittings	32
Safety chains	32
Screen door & related parts	30
Seat bench component parts	24
Shower curtain (3461 Timberlake)	31
Shower curtain rod (3461 Timberlake)	35
Shower stall w/potty & related parts (3461)	21
Shower head & hose	21
Sink & related parts	12
Spare tire cover (black vinyl)	2
Spare tire mount package	2
Stabilizer assembly	2
Stabilizer handle/lug wrench combo	32
Step components (outside step)	24
Stove components (upper galley's/lift-out)	13
Table assemblies & related parts	13
Taillights (rear body panel)	7
Tent support assemblies & related parts	25
Tenting & related parts (sunbrella)	34
Thermostat (Hydro Flame)	24
Thrust bearing	4
Tie backs (curtains)	31
Tip-out tent bow and related parts (3492)	25
Tire & rim	2
Tire cover "black vinyl"	2
Tongue jack & related parts	4
Top assemblies & related parts	35
Trim tape kits	8,10
Upper galley assembly (3475 Taos)	14
Upper galley assembly (3476 Sedona)	15
Upper galley assembly (3470 Redwood)	16
Upper galley assembly (3492 Tacoma)	17
Upper galley assembly (3460,61)	18
Valance package	31
Water heater (3461 Timberlake)	29
Water pump & related parts	12
Water system & related parts	28,29
Wheel well	2
Whiffletree & related parts	3
Zipers (tenting assemblies)	34

Axle/Brakes - Dexter	219/295-1900
Converter - Elixir/Centurion	800/848-0558
Furnace - Hydro Flame #7916-11 ..	800/825-4328 U.S.
	800/831-7531 CAN.
Hand pump - Shurflo	800/762-8094
Stove - Atwood Greenbrier	800/646-8557
Refrigerator - Norcold #323,260	800/752-8654
Tires - Duro	800/966-8473
Water heater - #5031E	423/775-2131
Cassette Potty - Thetford	800/354-4135
Mixer Faucet - Empire Brass	800/431-6440



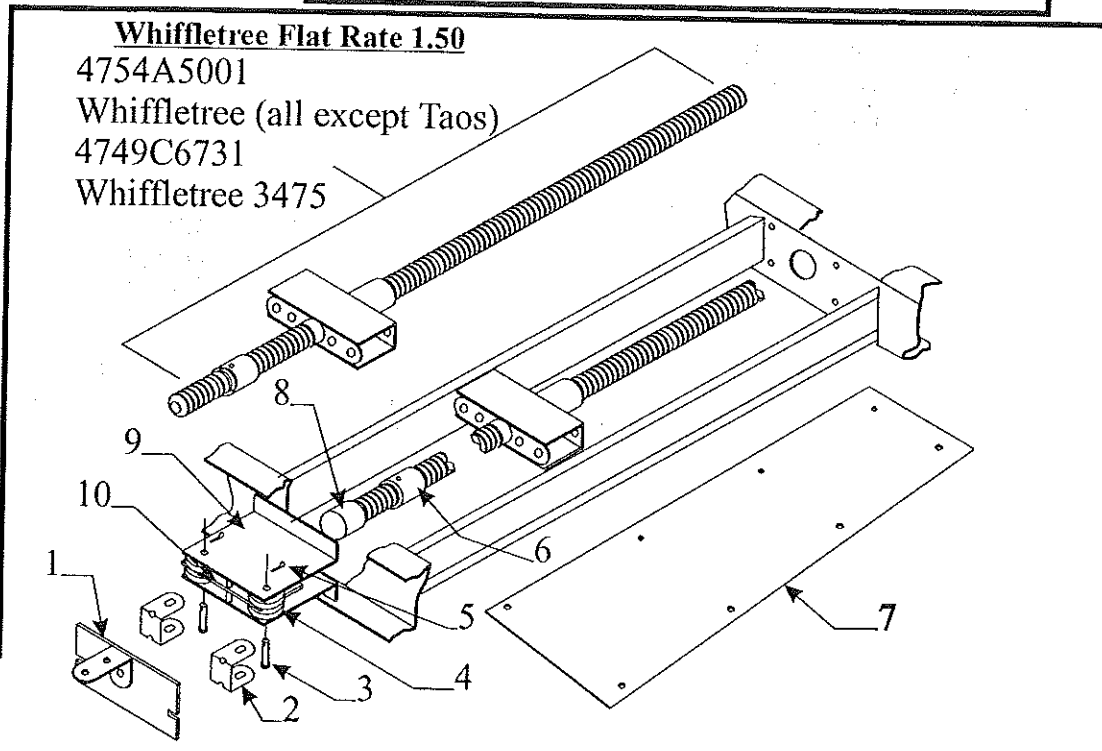
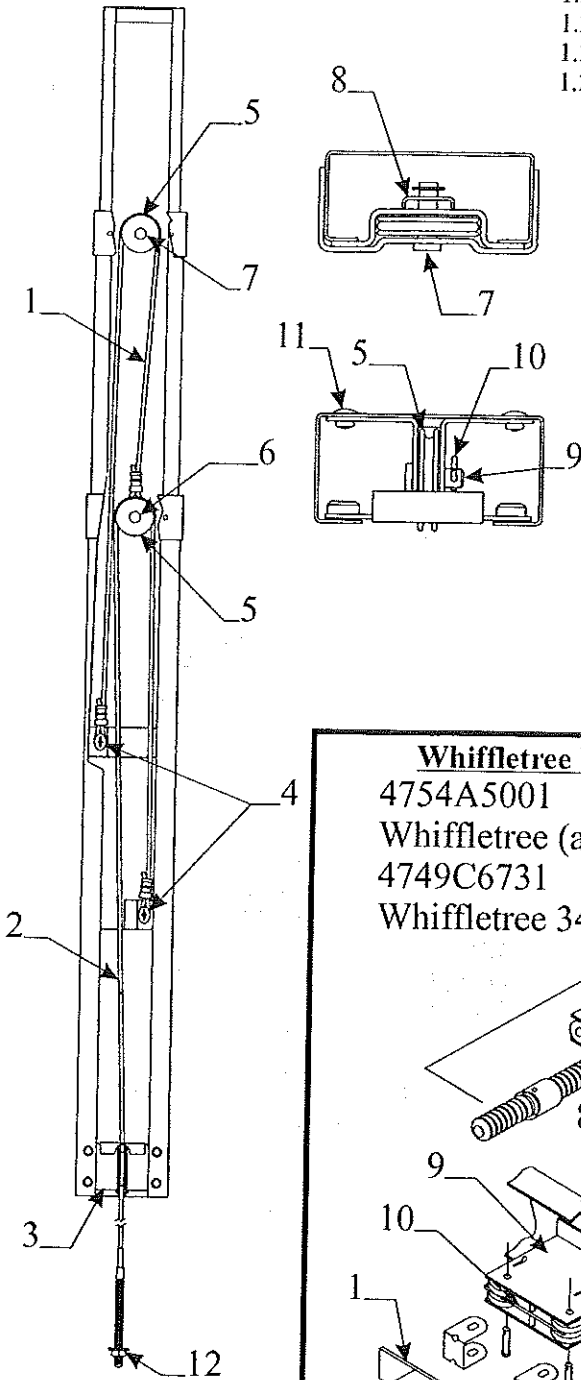
Flat Rate	Frame Code	Assembly Part #	Component Parts 3475,70,76,60,61,92	Description
1.00	1	4742-2001		coupler assembly
.25		4714A2211		coupler repair kit
.75	2	4748-6611		chain bar w/pins
.10	3	4747-8941		pin cover m2 (plastic)
2.00	4	4758A6681		corner bulkhead csf/rsr (all except Taos)
2.00		4758A6691		corner bulkhead rsf/csr (all except Taos)
2.00		4747A5511		corner bulkhead csr/rsf 3475
2.00		4747A5501		corner bulkhead rsr/csf 3475
		1203C8751		rivet m25 (rivet bulkhead to frame)
1.50	5	4732D3671		adjustable pulley brkt. x4
.25		4715A5371		pulley & bearing m10
		4720C1578		short pin m4
		1204B1081		cotter pin m10
.25	6	4753D8168		tire & rim 13" lr "D" 3460
.25		4757-2468		tire & rim 13" lr "C" 3476,61,92
.25		4754B1558		tire & rim 12" lr "C" 3475,70
		4747C4841		black vinyl tire cover 3475,70
		4723D3161		black vinyl tire cover 3476,60,61,92
	7	4749A5861		stabilizer gusset (front) all
	8	4752-6001		stabilizer gusset (rear) all
1.00	9	4754D5101		spare tire support "rear" (all except Taos)
		4747-5101		spare tire mount "front" 3475
2.00	10	4754D0531		wheel well assy. x2 (all except Taos)
2.00		4747A4161		wheel well assembly x2 3475
.75	11	4720B3331		jack bracket (welded to tongue)
	12	4746A5591		pigtail - "car end" (all except Taos)
		4735D6691		pigtail - 4 prong "car end" 3475
	13	4753B3751		trailer harness - (all except Taos)
		4747B5611		trailer wire harness - 4 prong 3475
	14	1201-8738		3/8" clamp
		1203C8721		steel rivet m25
	15	4742-8108		1 1/4" snap bushing
	16	4716A5001		12 volt power harness
.15	17	4749B5531		12 volt wire harness m2 (battery)
	18	4716A4701		12 volt cap & plug m2
.25	19	4720D0731		stabilizer assembly (all except 3470)
.25		4751A3351		stabilizer assy. (Screw down) 3470 only
		Note: stabilizer used x3 on 3475 Only		
		4739-2298		nut (x2 per stabilizer)
.25	20	4747B5891		spare tire mount kit (all)
*	21	6610707228P		floor covering pkg. (7 1/2' x 14')



* Prior Authorization Needed From Factory

- 1.25 4716-0031 lift assembly roadside rear/curbside front (all except Taos)
- 1.25 4716-0041 lift assembly roadside front/curbside rear (all except Taos)
- 1.25 4716-0051 lift assembly roadside rear/curbside front 3475 Taos
- 1.25 4716-0061 lift assembly roadside front/curbside rear 3475 Taos

Lift Assembly Component Parts - 3475,70,76,60,61,92			
Flat Rate	Code	Part #	Description
.75	1	4720D5271	cable assy. x1 m2 (all except Taos)
.75		4720C5271	cable assembly x2 m2 3475
		4720C1691	cable crimp m20
1.25	2	4754A6121	184" long cable & crimp
		4744-1318	copper cable crimp m10
1.25	3	4731C5801	butterfly bracket assy.
.05	4	4749-2081	screw m6
.50	5	4715A5371	steel pulley & bearing m10
.25	6	4747-8931	long pin x2
		4730B0981	retaining ring m12
.25	7	4749-4061	short pin m4
		4730B0981	retaining ring m12
.25	8	4749A2028	retaining clip
.45	9	4720C1578	lift pin m4
	10	1204B1081	cotter pin m10
	11	1203-8641	rivet m25
	12	1201B6378	1/4" lock nut
		1202E0408	washer

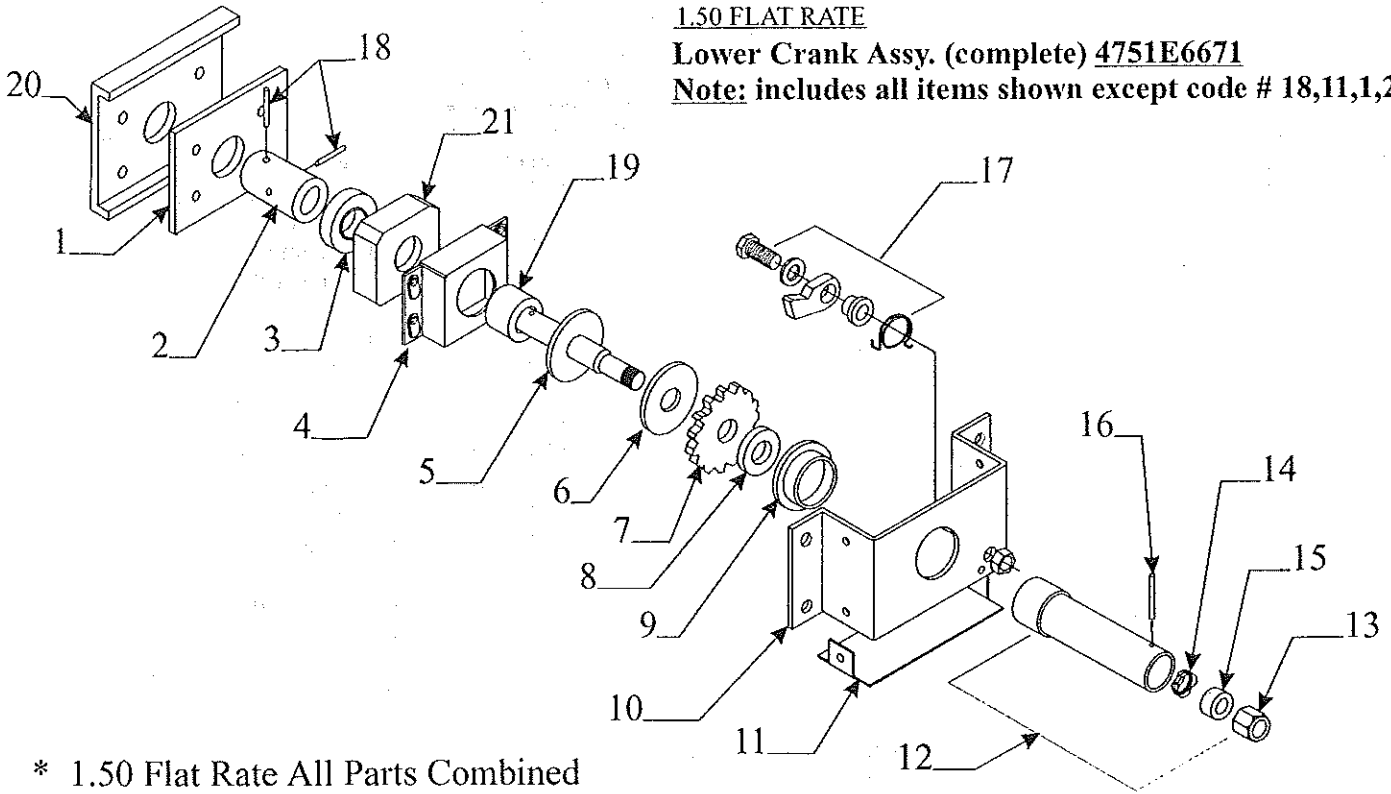


Flat Rate	Code	Part #	Description	Flat Rate	Code	Part #	Description
.15	1	4749A821	mud flap & brkt.	.25	7	4752B4921	whiffletree pan cover (all except Taos)
.50	2	4744B1741	cable retainer x2	.15		4757-1121	whiffletree pan cover 3475
.20	3	4720J1561	long pin m4			4755-4611	tek screw m25 (fasten pan in place)
.50	4	4715A5371	pulley & bearing m10	2.00	8	4730D1291	screw socket (welded)
.10	5	1204B1081	cotter pin m10	2.00	9	4720-1551	pulley plate
1.60	6	4710B4248	bushing	.50	10	4715D5661	pulley spacer
		4720D1481	roll pin m10				

1.50 FLAT RATE

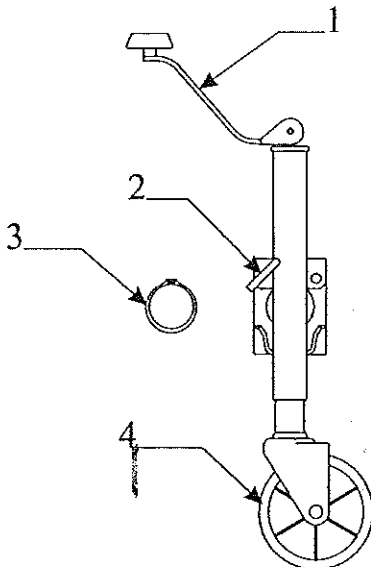
Lower Crank Assy. (complete) 4751E6671

Note: includes all items shown except code # 18,11,1,20



* 1.50 Flat Rate All Parts Combined

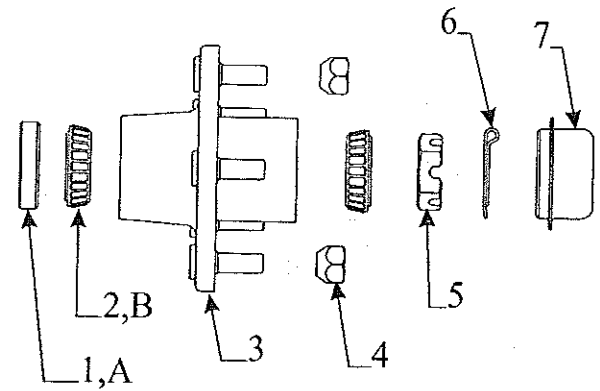
Flat Rate	Crank Up/Crank Down Component Parts Code	Part #	Description	Flat Rate	Code	Part #	Description
	1	4756-8321	bearing housing plate	*	11	4751-3721	housing cover plate
1.50	2	4756-8301	coupler bushing			1203-8641	rivet m25
1.50	3	4720C2421	thrust bearing	.75	12	4751C5681	drive hub extension pkg.
*	4	4750A9251	bearing housing			Note: pkg. Includes parts marked w/* asterisk	
		4738A0898	hex bolt x4		13	*4751-3551	5/8" nut
*	5	4751-3701	drive shaft	.50	14	*4752-3921	handle spring x1 m2
*	6	4751-3561	pressure plate	.50	15	*4751-4671	nylon washer x1
*	7	4751-4831	ratchet wheel	.10	16	*4747A9451	spiral roll pin x1 m6
*	8	4751-3581	pressure washer	.60	17	4716-1221	ratchet pawl pkg.
*	9	4751-3591	shaft bushing	1.00	18	4744A1301	shear pin x1 m10
*	10	4751A3691	crank housing	1.50	19	4756A8311	spacer bushing
		4731-3878	hex head bolt x4		20	4750A9261	plate "painted"
		1201B6038	lock nut x4	1.50	21	4756-8441	bearing house square spacer



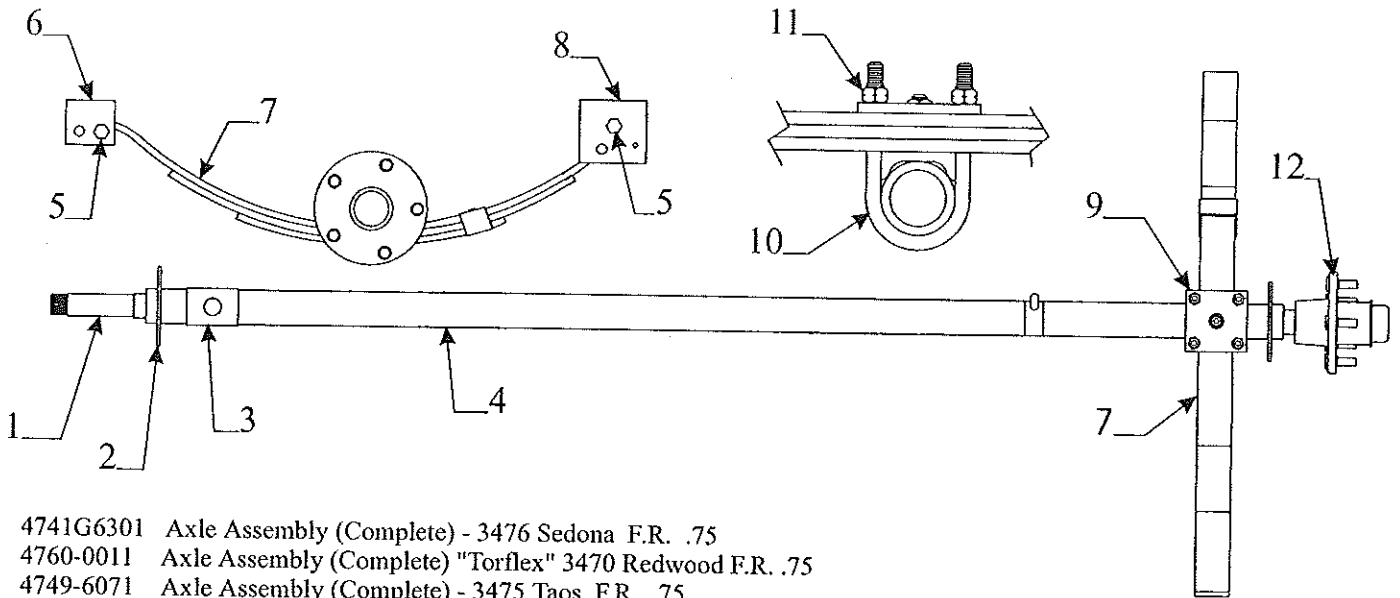
<u>Flat Rate .10 Jack Removal</u>			
Flat Rate	Code	Part #	Description
.15	1	4716-1951	jack handle kit
.15	2	4716-1981	locking plunger kit
.10	3	4720A3341	snap ring
.25	4	4716-1971	jack wheel nut & bolt

Note: refer to page 6 for electric brake components

Idler Hub Assembly & Related Parts - 3475,70,76			
Flat Rate	Code	Part #	Description
.50	1	4714A2201	grease seal x1 m4 (all)
.50	2	4716-1101	bearing, race & seal pkg. (all)
.30	3	4738D0451	hub & lug nuts (all)
.05	4	4747A9528	lug nuts x5 (all)
.10	5	4714-3068	slotted spindle nut x1 (all)
.10	6	1204-1268	cotter pin x1 (all)
.05	7	4714B0621	dust cap m4 (all)



Crossover Numbers To Purchase Locally
A 13194TM or 198138SP21 Grease Seal
B L44649 Bearing
C L44610 Race

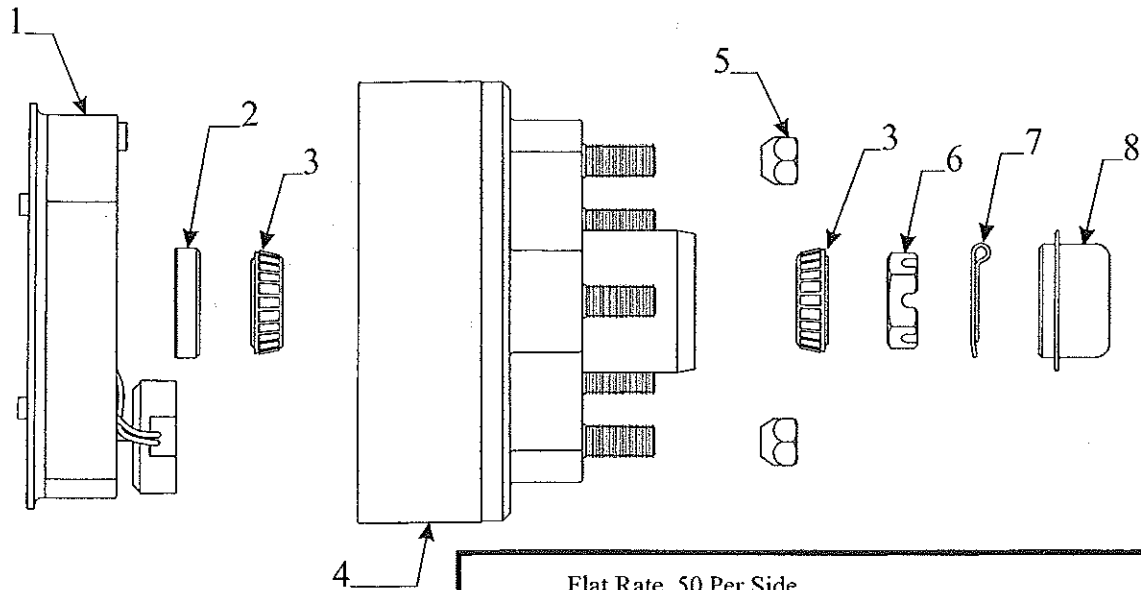


- 4741G6301 Axle Assembly (Complete) - 3476 Sedona F.R. .75
- 4760-0011 Axle Assembly (Complete) "Torflex" 3470 Redwood F.R. .75
- 4749-6071 Axle Assembly (Complete) - 3475 Taos F.R. .75
- *4730U3011 3500 lb.Brake Axle Assy. (Complete) - 3460,3461,3492 F.R. .75

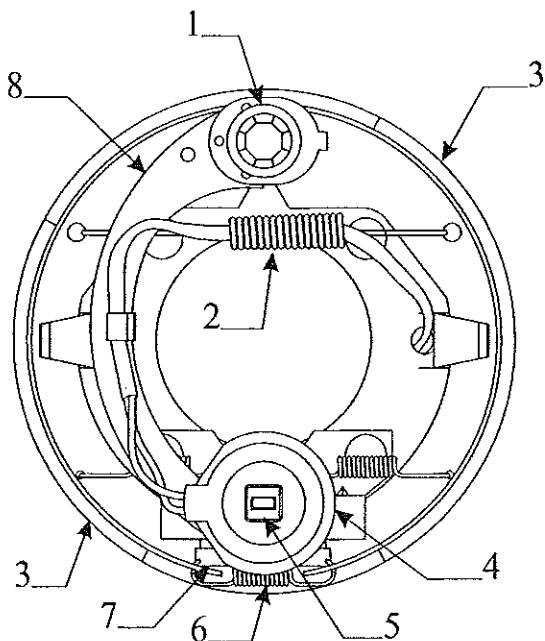
*NOTE: Axle Assy. 4730U3011 limited parts stocked, refer to Dexter Axle for required part (s) phone - 219/295-1900
 See page 6 for items listed for 10" 3500 lb. Brake axle components

Axle & Spring Components 3475,76							
Flat Rate	Code	Part #	Description	Flat Rate	Code	Part #	Description
*	1	4741B8491	spindle	2.00	6	4741A3398	spring shackle (rear)
*	2	4741A8471	brake plate 3476 only	.75	7	4735G2201	leaf spring (3 ply) 3476
*	3	4741-8461	spring pad channel m2	.75		4741B3381	leaf spring (2 ply) 3475
1.00	4	4716-1571	axle beam 3475 only	2.00	8	4741C3398	spring shackle (front)
1.00		4741F6251	axle beam 3476	.50	9	4741-8458	u-bolt plate
.25	5	4737A1318	shackle bolt	.25	10	4741A8438	u-bolt
		4741-9498	shackle bolt nut		11	4741-9358	u-bolt nut
					12		Note: refer above for hub & components

* PRIOR AUTHORIZATION NEEDED FROM FACTORY

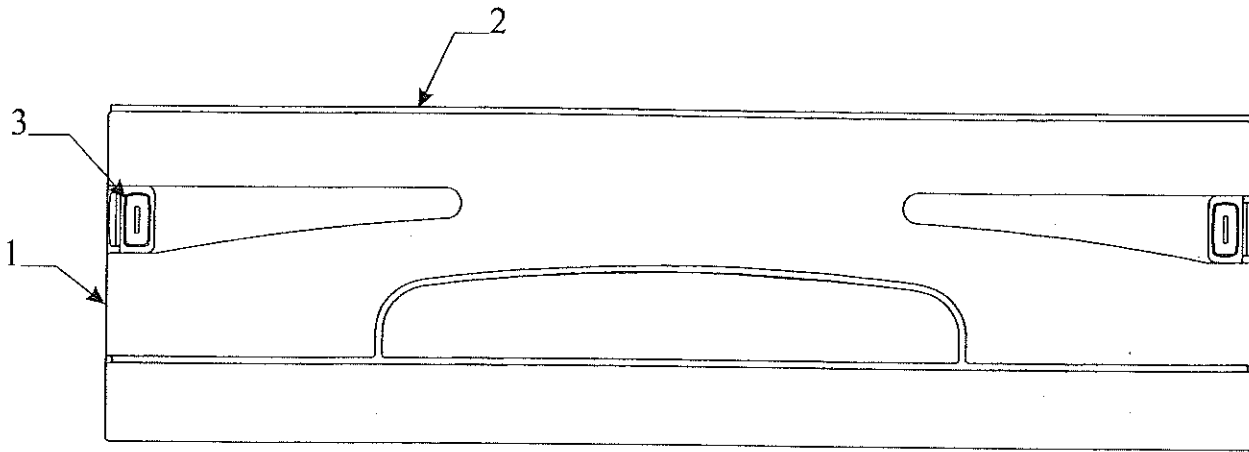


Flat Rate .50 Per Side			
Electric Brake Pkg. 7 x 1 1/4" (4714H2011)			
Electric Brake Pkg. 10 x 2 1/4" (4714J2011)			
Flat Rate	Code	Part #	Description
.50	1	4733A3521	7" brake assembly (right hand)
.50		4733A3531	7" brake assembly (left hand)
.50		4716-6251	10" brake assembly (right hand)
.50		4716-6261	10" brake assembly (left hand)
.50	2	4714A2201	7" grease seal x1 m4
.50		4716-1441	10" grease seal x1 m4
.50	3	4716-1101	7" bearing, race & seal pkg.
.50		4716-1451	10" bearing, race & seal pkg.
.30	4	4716A1071	7" hub & drum x2
.30		4716-1431	10" hub & drum x2
.05	5	4747A9528	lug nuts x5
.10	6	4714-3068	slotted spindle nut x1
.10	7	1204-1268	cotter pin x1
.05	8	4714B0621	dust cap m4



Flat Rate .50 Per Side			
Electric Brake Components			
Flat Rate	Code	Part #	Description
	1	*4714A2461	anchor post clip m2
	2	*4714A2411	retractor spring
.40	3	*4714B2071	7" x 1 1/4" brake shoe (set)
.40		4716-2871	10" x 1 1/12" brake shoe (set)
.40	4	*4714D2451	7" magnet, spring & clip pkg.
.40		4716-2881	10" magnet, spring & clip pkg.
.30	5	*4714B2471	retainer clip m2
	6	*4714A2101	adjusting screw spring
	7	*4714A2041	adjusting screw
	8	*4714A2841	rt. & lt. lever arm pkg.
.30	9	*4714B2421	magnet housing spring (part not shown)

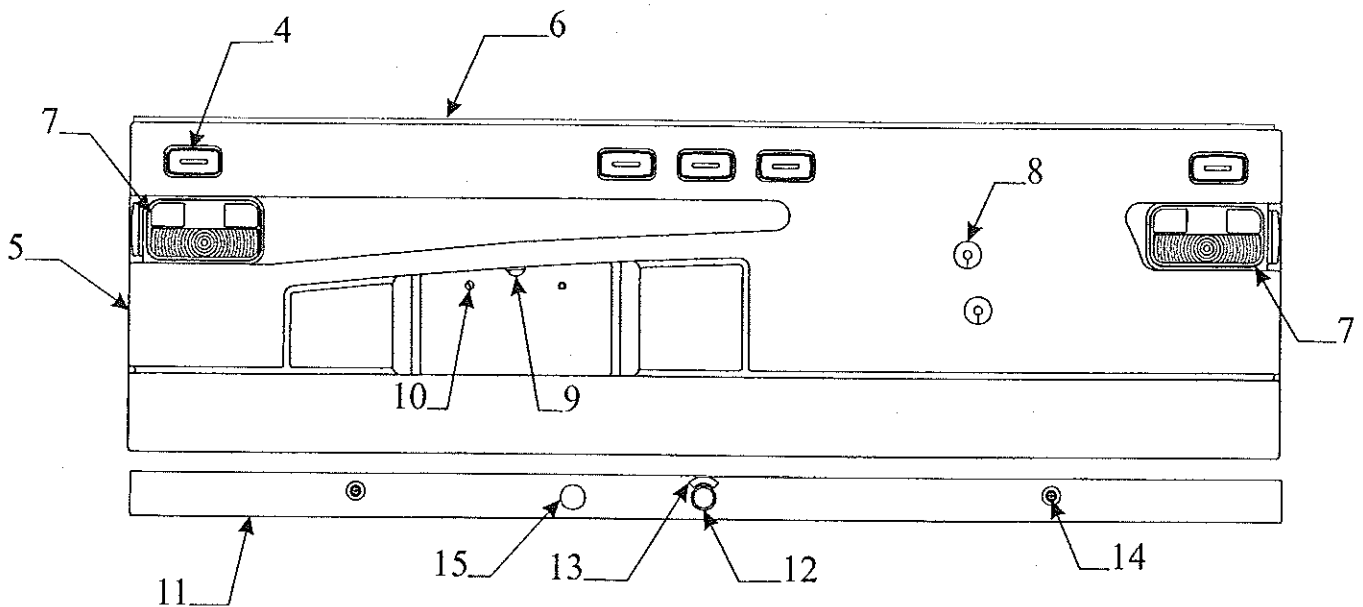
*Note: parts used on 7 x 1 1/4" brake only refer to Dexter Axle for 10 x 2 1/4" brake components - Phone 219/295-1900

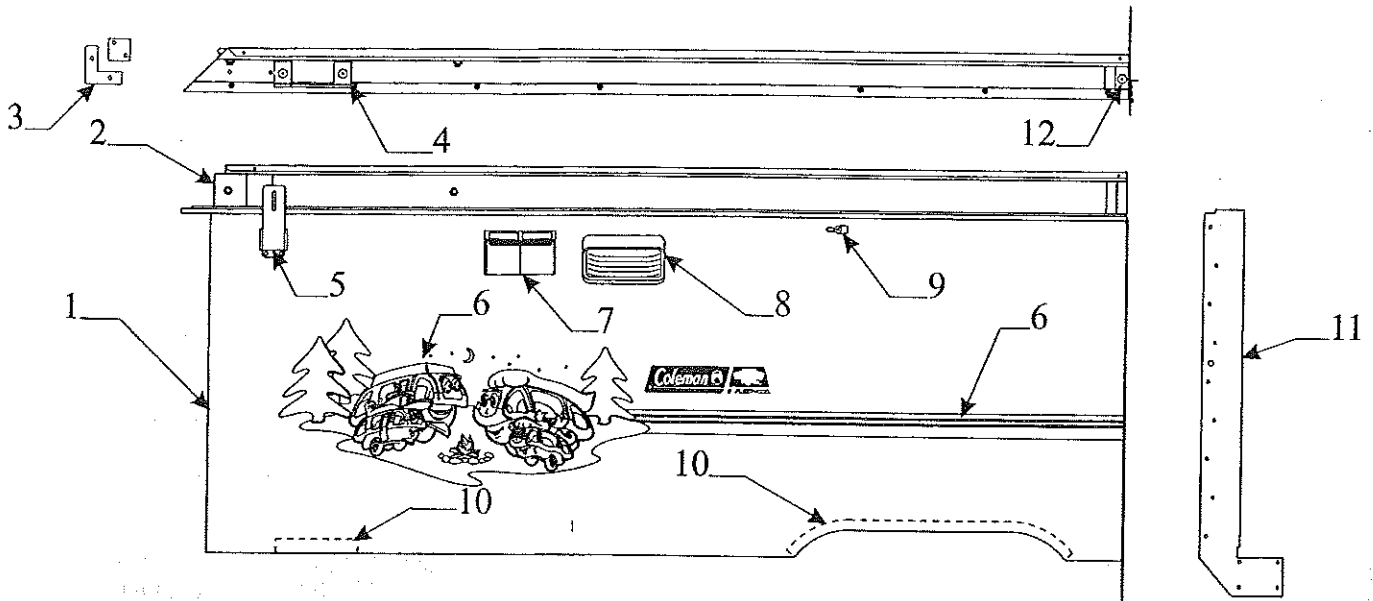


* 1.50 Flat Rate Front Panel/2.50 Rear Panel

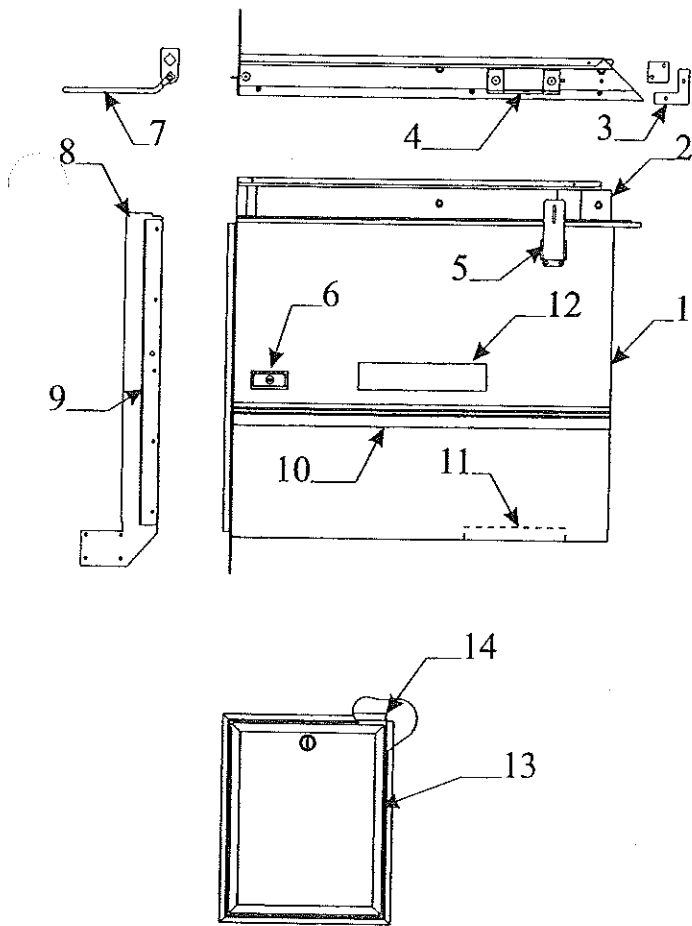
Front & Rear ABS Body Panel Components

Flat Rate	Code	Part #	Description	Flat Rate	Code	Part #	Description
*	1	4754A8711	front body pnl. (all except Taos)	.20	7	4749B4321	taillight x2
.65		4747F4531	front body pnl. 3475	.10		4716A1061	taillight lens
.75	2	4754-8681	front end rail (all except Taos)			4747-2558	expansion rivet m25
.75		4747A0801	front end rail 3475	.10	8	4754-3871	foam gasket m2
.15	3	4714H08481	amber marker light x4	.15	9	4739B4311	tag light
.10		4716-4571	amber lens (lens only)	.05	10	4732-1181	plastic grommet m4
.25		4733H1311	socket & harness	.05		1121C1618	license plate screw x2
		4747-2558	expansion rivet m25	.30	11	4756B2371	bumper 3460,61,92
.15	4	4714H08581	red marker light x7	.30		4754D0211	bumper 3470,76
.10		4716-4561	red lens (lens only)	.30		4751C0181	bumper 3475
		Note: refer to code #3 for hardware		.10	12	4733-2741	2" snap bushing
*	5	4757-1961	rear body pnl. (all except Taos)	.10	13	4730H3188	"open" decal
.85		4747G4641	rear body pnl. 3475	.25	14	1032B24248	bolt x2
		4741D96568	expansion rivet m25 "white"			1202B0468	washer x6 m10
.75	6	4754A8691	rear end rail (all except Taos)			1202B1068	washer x2
.75		4747B0791	rear end rail 3475			1201B6068	nut x2
					15	4756-9761	2" hole plug



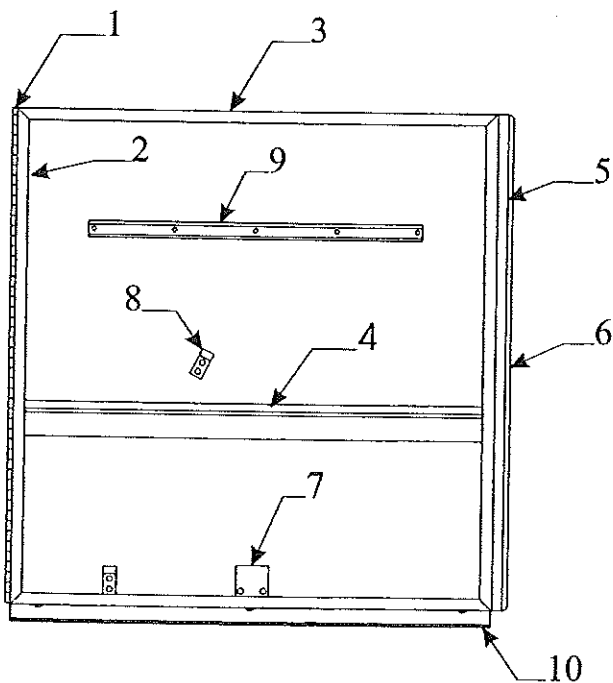


Curbside Right Rear Body Pnl. & Components			
Flat Rate	Code	Part #	Description
1.00	1	4716B9751	csr body panel 3475 Taos
1.00		4754B8061	csr body panel 3470 Redwood
1.00		4757-3071	csr body panel 3476 Sedona
1.00		4756-9241	csr body panel 3460 Fairview
1.00		4754C9701	csr body panel 3461,3492
1.00	2	4749C9761	csr body rail 3475 Taos
1.00		4754B8031	csr body rail 3470 Redwood
1.00		4757-3081	csr body rail 3476 Sedona
1.00		4754B9511	csr body rail 3460,3461,3492
.10		4723A8071	velcro patch 2" x 2" m4
.10		4350000005F	3/4" velcro hook (sold/yard)
.15	3	4716-7061	inner/outer miter cover pkg.m4 Note: pkg. Includes rivets
.25	4	4734C4121	lift trim,rivets & gasket pkg. m4
.15	5	4741C6041	top latch w/out lock tab
	5	4749-4848	foam pad
.50	6	4716G8251	trim tape & hardware kit
		4752E1508	happy campers decal
.25	7	4746A3861	duplex cover & outlet
.35		4746-3871	duplex box
		1203-8678	rivet m25 (rivet box to pnl.)
.25	8	4752-9921	porch light
.10		4716-5511	porch light lens "amber"
.15	9	4738-3941	turn button & rivet
	10	4060050008P	1/2" x 1" foam tape pkg. (12' pc.)
1.25	11	4754A6201	door bulkhead csr 3470,76
1.25		4754B6201	door bulkhead csr 3460,61,92
1.25		4747A0101	door bulkhead csr 3475 Taos
		4734C1861	rivet m25 (arctic white)
	12	1203-8831	rivet m25



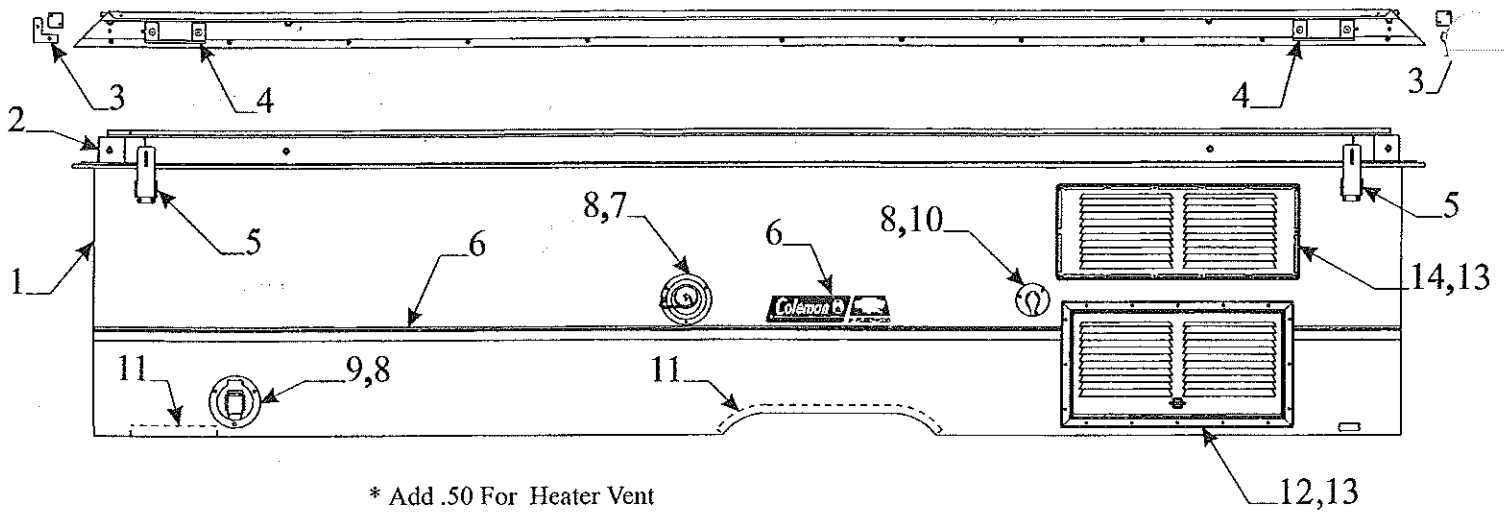
4716G8251 Curbside Trim Tape/Hardware Kit
Curbside Right Front Body Pnl. & Components

Flat Rate	Code	Part #	Description
.85	1	4716C0441	csf body panel 3475 Taos
.85		4754A8051	csf body panel 3470 Redwood
.85		4757-3111	csf body panel 3476 Sedona
.85		4756-9281	csf body panel 3460,3492
1.00		4754C9721	csf body panel 3461 Timberlake
1.00	2	4747B0561	csf body rail 3475 Taos
1.00		4754B8021	csf body rail 3470 Redwood
1.00		4757-3121	csf body rail 3476 Sedona
1.00		4754B9501	csf body rail 3460,61,92
.10		4723A8071	velcro patch 2" x 2" m4
.10		4350000005F	3/4" velcro hook (sold/yd.)
.15	3	4716-7061	inner/outer miter cover pkg. m4
.25	4	4734C4121	lift trim,rivets & gasket pkg. m4
.15	5	4741C6041	top latch w/out lock tab
		4749-4848	foam pad
1.00	6	4730C3111	lock handle (with key)
1.00	7	4754-1691	latch,strike & lever (all except Taos)
1.00		4747-3501	latch,strike & lever 3475 Taos
1.25	8	4754A6191	door bulkhead csf 3470,76
1.25		4754B6191	door bulkhead csf 3460,61,92
1.25		4747A0091	door bulkhead csf 3475 Taos
.25	9	4754A2111	door bulkhead angle (all except Taos)
.25		4749B3881	door bulkhead angle 3475 Taos
		4350000022F	foam tape (sold/foot)
.25	10	4716G8251	trim tape & hardware kit
.25	11	4060050008P	1/2" x 1" foam tape pkg.(12' pc.)
.25		4749J3198	Taos name decal 3475
.25		4754B8738	Rewood name decal 3470
.25		4757-3348	Sedona name decal 3476
.25		4756-9638	Fairview name decal 3460
.25		4757-2988	Timberlake name decal 3461
.25		4753E0708	Tacoma name logo 3492
.50	13	4716-1831	potty door & frame 3461
		4350000028P	3/4" butyl tape pkg. (6' pc.)
		4060000029P	black d-seal pkg. (6' pc.)
.15		4754-4911	lock & o-ring
	14	4746F5121	shroud



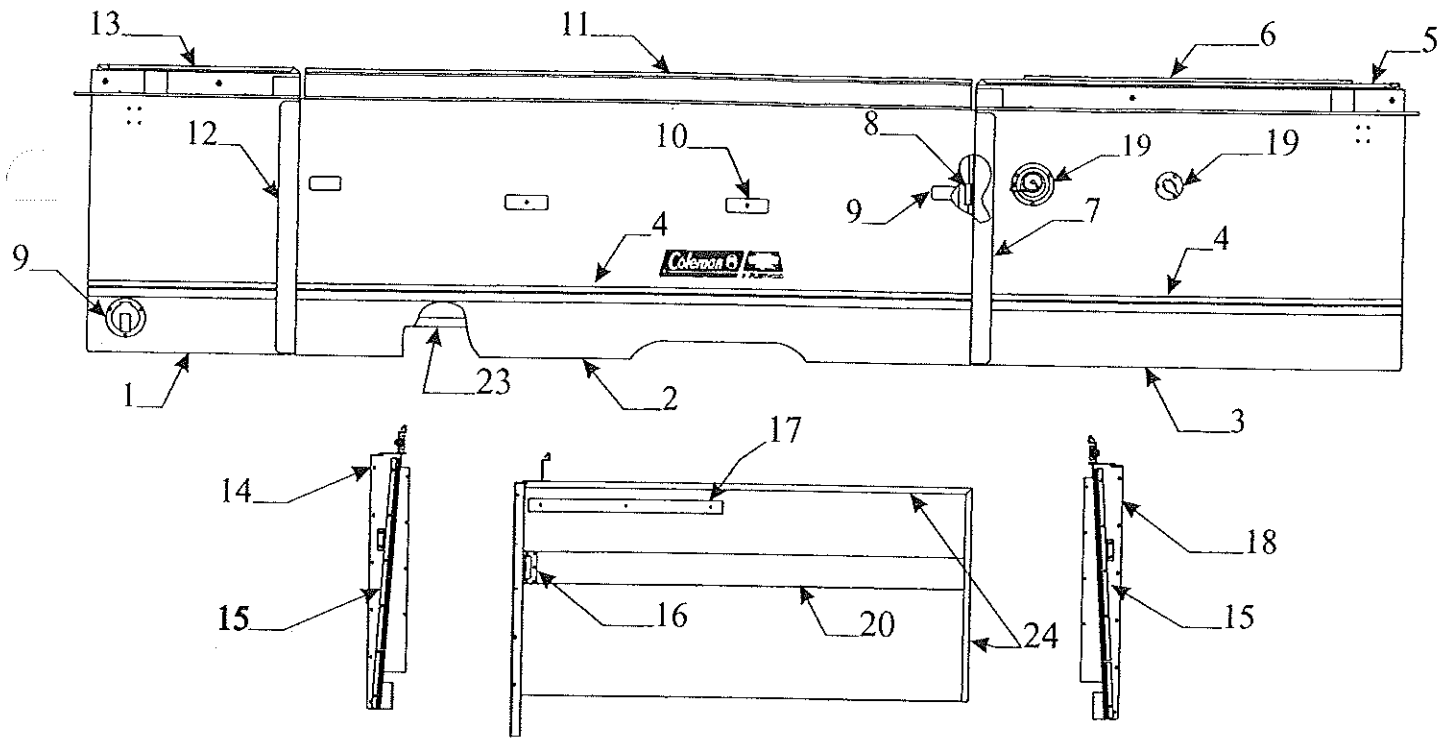
4754C5111 Access Door Assy. (All except Taos) F.R. .50
4749H6471 Access Door Assy. 3475 Taos F.R. .50
Note: Access Door less trim tape must order separately

Flat Rate	Code	Part #	Description
.25	1	4754B0281	door hinge (all except Taos)
.25		4747A3621	door hinge 3475 Taos
.35	2	4754-0251	door frame (all except Taos)
.35		4747A3591	door frame 3475 Taos
.25	3	4749B9821	door cap (all)
.25	4	4716A4961	trim tape pkg. (5' pc.)
.20	5	4060000023P	d-seal pkg. (5' pc.)
.25	6	4754C0261	door frame (all except Taos)
.25		4747A3601	door frame 3475
.10	7	4749A9941	door bracket (all)
.10	8	4720A0721	cooler clip m2
		4745-3968	screw x2
.25	9	4750A8481	stove support brkt.
		4716-081	screw x2
.25	10	4747C3611	bottom trim (all)

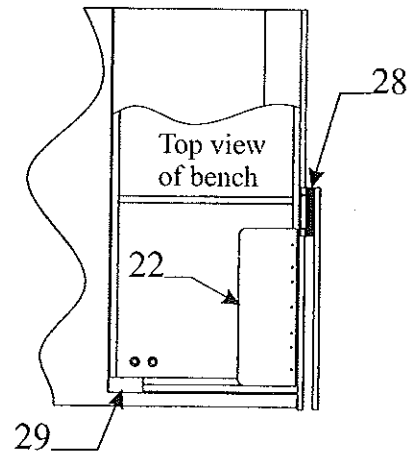
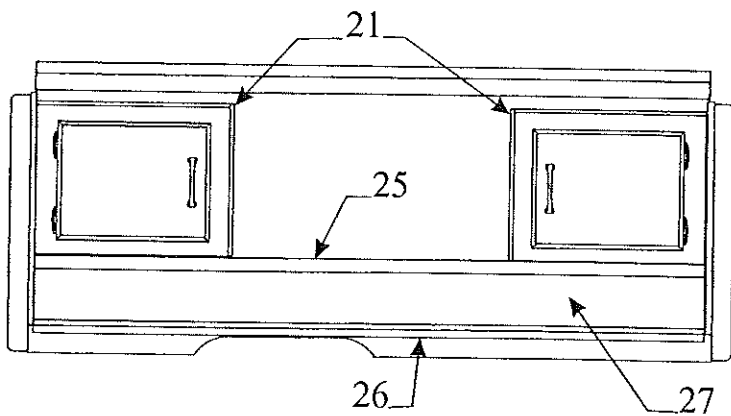


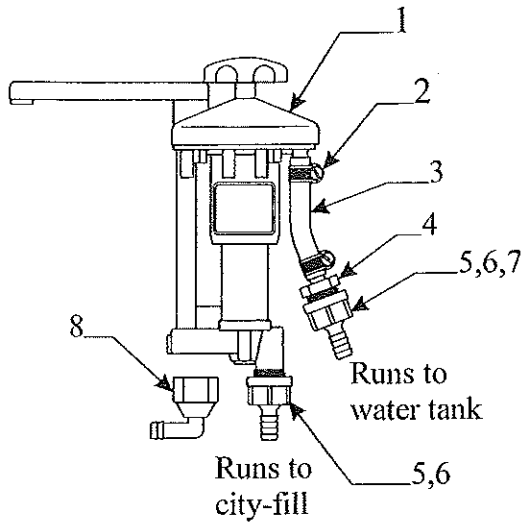
* Add .50 For Heater Vent
 * Add .50 For Refrigerator

4716G8261 Roadside Trim Tape/Hardware Kit			
Roadside Left Body Panel & Components			
Flat Rate	Code	Part #	Description
*1.00	1	4716B98071	left side body pnl. 3475 Taos
*2.00		4754A8071	left side body pnl. 3470 Redwood
*2.00		4757A3091	left side body pnl. 3476 Sedona
*2.00		4754E9711	left side body pnl. 3461Timberlake
*2.00		4754H2141	left side body pnl. 3492 Tacoma
3.00	2	4747B0581	left side body rail 3475 Taos
3.00		4754B8041	left side body rail 3470 Redwood
3.00		4757-3101	left side body rail 3476 Sedona
3.00		4754C9521	left side body rail 3461,3492
		4723A8071	velcro patch 2" x 2" m4
.10		4350000005F	3/4" velcro hook (sold/yd.)
		4757-0731	wire grommet & nut
.15	3	4716-7061	inner/outer miter cover pkg. m4 Note: pkg. Includes rivets
.25	4	4734C4121	lift trim,rivets & gasket pkg. M4
.15	5	4741C6041	top latch w/lock tab
		4749-4848	foam pad
.50	6	4716G8261	trim tape & hardware kit
.30	7	4731D1711	water tank spout
	8	4741-3508	hex head tek screw x3
.15	9	4733B23361	cable hatch
.30	10	4732F1521	city fill
	11	4060050008P	1/2" x 1" foam tape pkg. (12' pc.)
.25	12	4747C8331	louvered door panel (refrig. Vent)
	13	4745A3961	torx hd. screw "white" m50
.25	14	4747C8321	louvered panel (refrig. Vent)



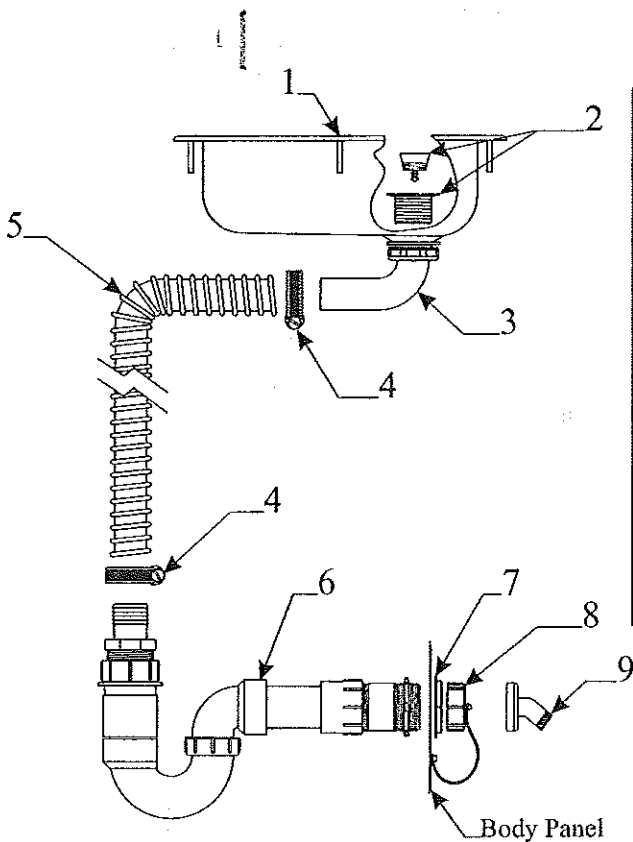
Flat Rate	Code	Part #	Description	Flat Rate	Code	Part #	Description
1.50	1	4756B9671	left front body panel	1.00	13	4756B9671	left front body rail
1.00	2	4757-5411	glide-out body panel	1.65	14	4759A50361	bulkhead left front
1.50	3	4756A9661	left rear body panel	.35	15	4755-3911	seal track (must cut to sizse)
.75	4	4716G8261	trim tape & hardware kit	.15	16	4064700589P	side seal "black" pkg. (8' pc.)
1.00	5	4756-9641	left rear body rail	.25	17	4756-2171	lock boot w/cover plate
		4757-0731	wire grommet & nut	1.65	18	4754-3811	vel-stick (must cut to size)
.25	6	4737D2231	curtain track	.50	19	4759A50461	bulkhead left rear
		1203-8678	rivet m25 (rivet track to rail)		20	Note: refer to page 12 for this item	
.25	7	4756B3361	angle seal "rear" (all)	.40	21	4756-8471	ABS ware strip x2
		4060000023P	d-seal pkg. "white" (5' pc.)	.20	22	Note: Refer to page 22 For bench components	
.15	8	4756-1501	strike	.20	23	4756-6131	metal flip-up backrest x2
		4756-3251	shim	.20	24	4756-2651	3/4" white L- channel 48" pc.
.75	9	4755-4091	latch & gasket	.50	25	4756A1461	oak trim U-channel 48" pc.
.75	10	4756-1181	pull handle	.50	26	4757A2161	alum. Edge cap "painted oak"
		4738-2608	tek screw "black"	.25	27	4757-2351	floor sweep
.75	11	4756A9951	glide-out body rail	.10	28	4756A6041	wood kick plate assy.
.25	12	4756B3351	angle seal "front"		29	4756-1151	5 1/2" brush seal
		4060000023P	d-seal pkg. "white" (5' pc.)			4756-8731	platic seat frame corner





Hand pump & related parts			
Flat Rate	Code	Part #	Description
.40	1	4734D0161	hand pump
		4716-081	screw x4
	2	4731-3058	adjustable hose clamp
.35	3	4714-038	3/8" h.p. Hose (sold/foot)
.20	4	4732-4561	male adapter
.20	5	4741-9568	barbed adapter
.20	6	1202-5828	rubber washer
.20	7	4754-4418	round filter screen
.20	8	4741-2351	street elbow

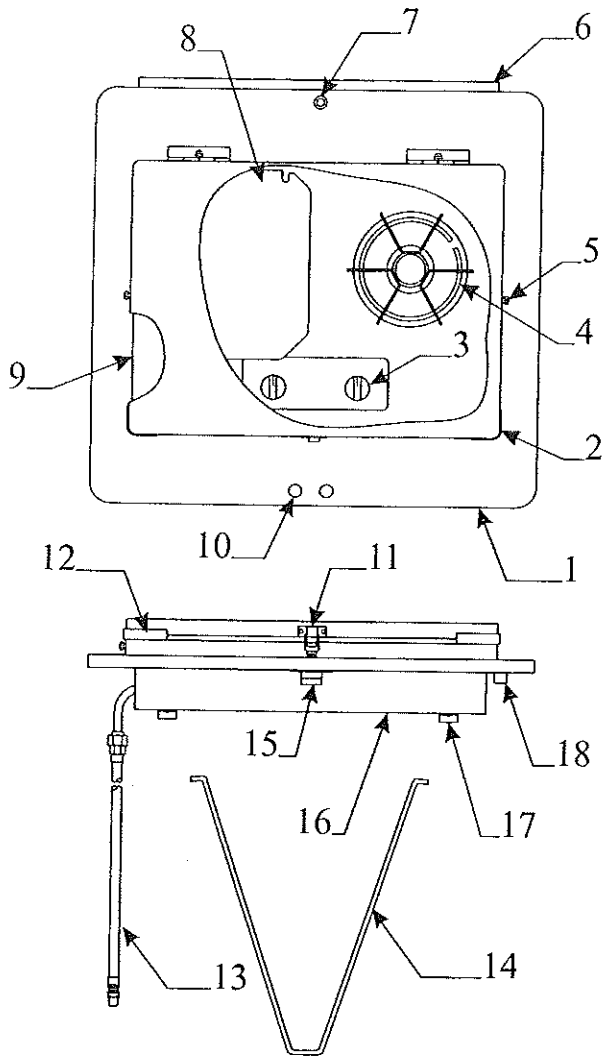
TO ORDER REPAIR PARTS
 FOR MODEL # 150-000-00 SHURFLO PUMP
 CALL: 1/800-854-3218 GARDEN GROVE, CA..
 CALL: 1/800-762-8094 ELKHART, IN.



Sink & Component parts			
Flat Rate	Code	Part #	Description
.30	1	4710F0301	sink "stainless"
.80		4745B2801	sink "porcelain"(standard on 3461)
.05	2	4714B0661	crumb cup "only"
.25		4730E3151	crumb cup & basket
.40	3	4757-0861	elbow, nut & washer
.40		4757-0831	black rubber washer
	4	4715-4501	1 1/4" hose clamp
.80	5	4060012503P	1 1/4" drain hose pkg. (10' pc.)
Note: must cut hose to length			
.20	6	4758A5431	drain trap assy. 3475,92
.20		4758-5701	drain trap assy. 3470
		4759-5411	drain trap assy. 3476,60,61
	7	4757-0851	nut
.10	8	4714A2861	cap & strap
	9	4737-9138	drain adapter

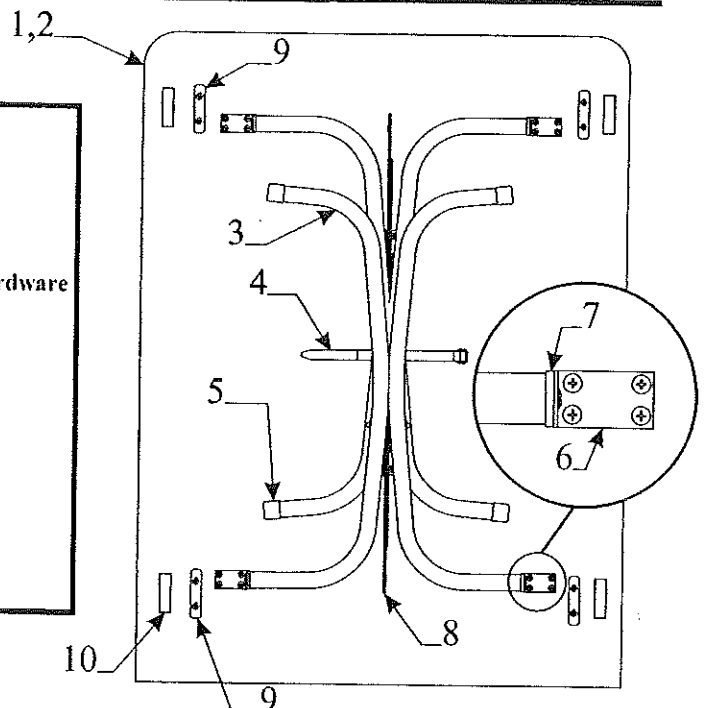
CUSTOMER SERVICE USE ONLY
 4754C51781 LIFT-OUT STOVE ASSY. 3475 TAOS
 4749H6561 LIFT-OUT STOVE ASSY. 3470 REDWOOD

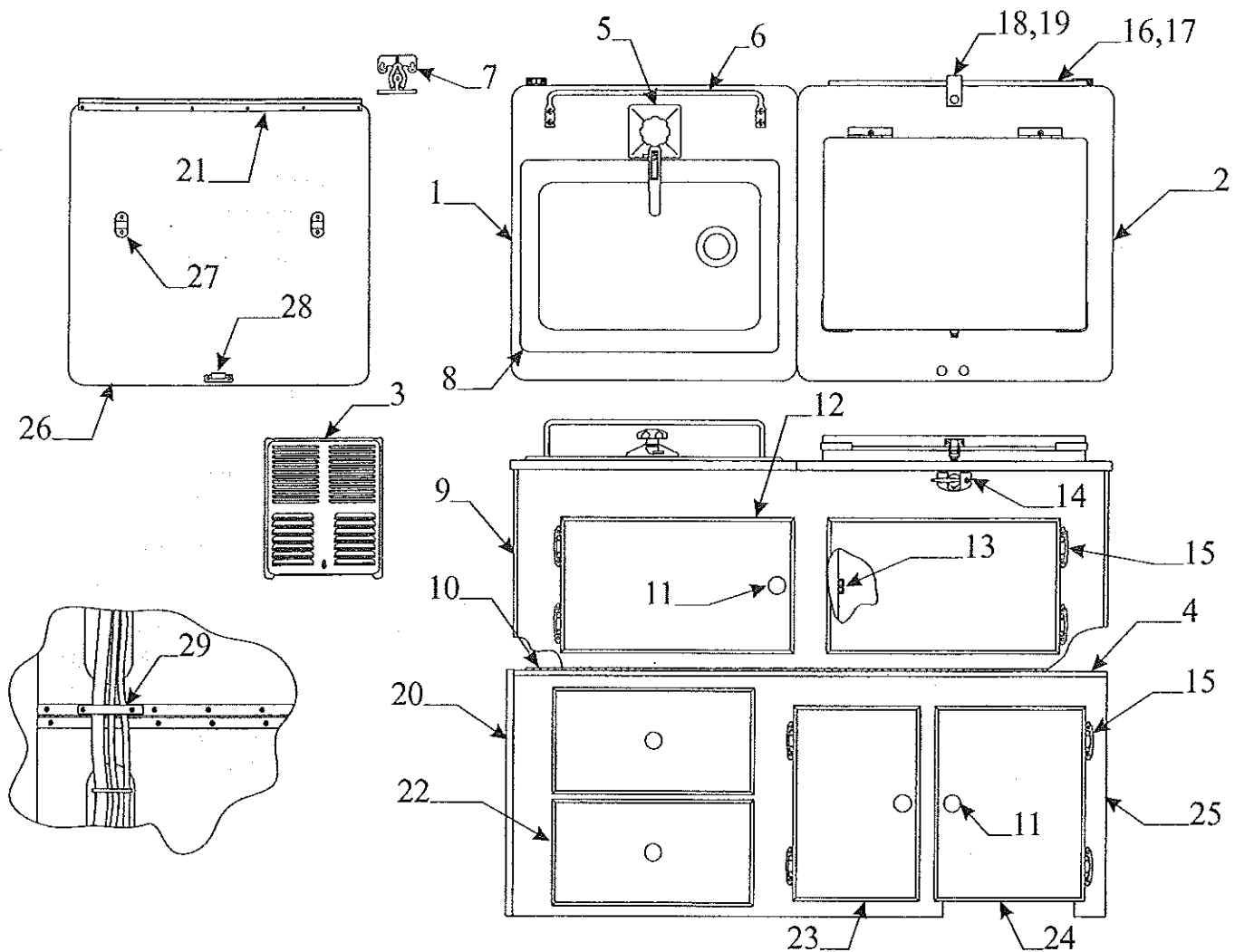
47557B6251 LIFT-OUT STOVE ASSY. 3476 SEDONA
 4759-5641 LIFT-OUT STOVE ASSY. 3492 TACOMA
 4756B5191 LIFT-OUT STOVE ASSY. 3460 FAIRVIEW, 3461 TIMBERLAKE



Flat Rate	Stove Component Parts Code	Part #	Description
.60	1	4754C0451	counter top 3475 Taos
.60		4742K8141	counter top 3470 Redwood
.60		4754A9441	counter top 3476 Sedona
.60		4757-3971	counter top 3492 Tacoma
.60		4754A8441	counter top 3460,61
.30		4060400090P	t-molding pkg. (14' pc.)
.15	2	4749E6601	stove cover assy. "black" 3475,70,76
.15		4748B6461	stove cover assy. "white" 3460,61,92
.05	3	4716-1861	knob
.05	4	4716-1851	stove grate
.05	5	4716A0881	thumb screw m6
.05		4746-8661	plastic thumb screw m6 3460,61,92
.35	6	4754-0471	stove hanger bracket
.05	7	4730A3548	stud w/screw
.25	8	4749D99381	stove fin x2 "black" 3475,70,76
.25		4746-8531	stove fin x2 "white" 3460,61,92
		4741A4401	hinge x2
		1203-8558	rivet m25 (x2 per hinge)
.15	9	4746A9491	cook top 2 burner "black" 3475,70,76
.15		4739G2931	cook top 3 burner "white" 3460,61,92
	10	4739E2908	screw cap m10
		4739-2918	screw cap washer m10
.20	11	4733-4018	stove cover latch
		1203-8558	rivet m25 (x2 per latch)
.10		4733-4028	strike
		4737-8478	screw
.05	12	4732A2291	edge molding m2
.25	13	4752A2471	gas hose w/lp plug
.05	14	4748-2731	support leg (all)
.15	15	4754A08861	latch strike
.75	16	4748C2581	stove box (2 burner) 3475,70,76
.75		4739G2931	stove box (3 burner) 3460,61,92
.20	17	4740A1891	support leg brkt.w/rivets m2
.05	18	4724-2608	stop button

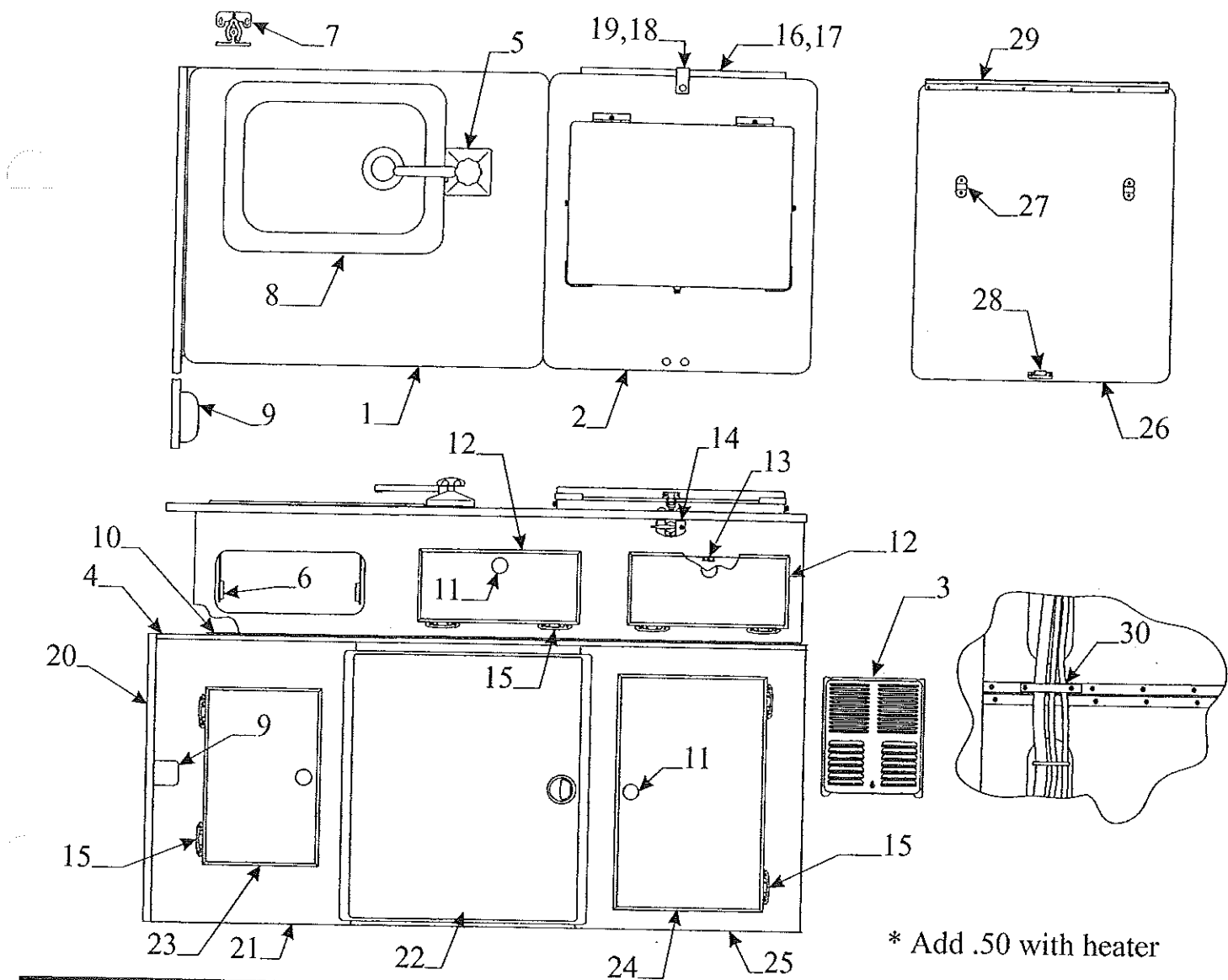
Flat Rate	Dinette Table Assembly Components Code	Part #	Description
.50	1	4756A8461	table top (30" x 39") (ALL)
.30	2	4060400090P	t-molding pkg. (14' pc.)
.50	3	4745F52781	table leg package
		Note: pkg. includes 2 legs & required mounting hardware	
.10	4	4751A9711	strap & screw pkg.
.10	5	4752-0551	white plastic cap m2
.15	6	4720F1211	table leg mounting brace m2
		1103B101F	5/8" wood screw
.15	7	4752A0561	table leg insert cap m2
.25	8	4720A1501	lock brace assy. x2
		1103B101F	5/8" wood screw
.15	9	4756-8741	table top plastic spacer m4
		1103B08148	7/8" screw (x2 per spacer)
.05	10	4724D2631	velcro fastener m4





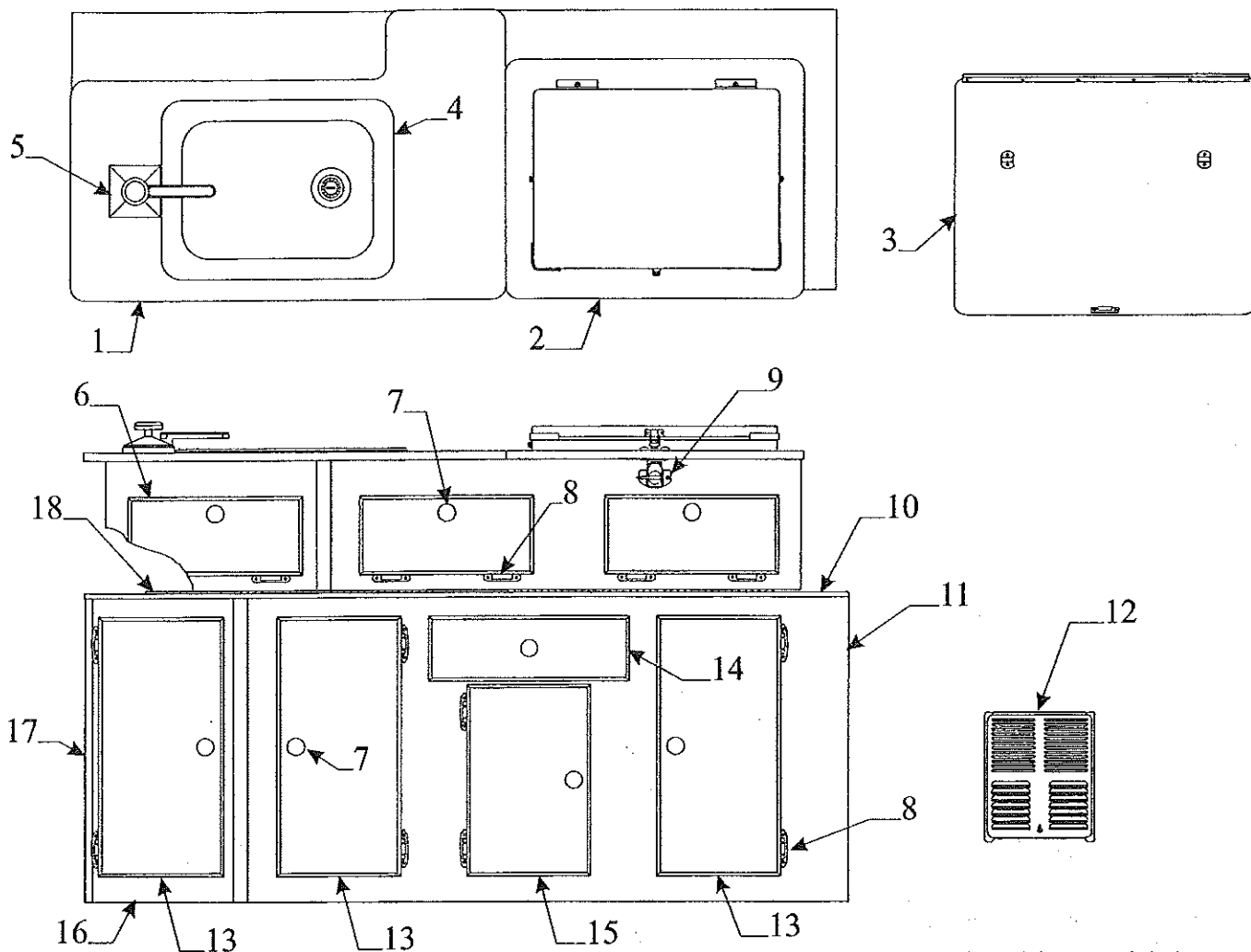
* Add .50 with heater

Flat Rate	Upper & Lower Galley Assy. Components - 3475 Taos	Flat Rate			
Code	Part #	Description	Code	Part #	Description
1.00	1	4749M9921 upper galley top	.50	10	4757-2621 hinge
1.00		4749N9921 upper galley top CSA only	.10	11	4748A3951 door pull (includes screw)
.30		4060400090P t-molding pkg. (14' pc.)	.15	12	4754A1481 door panel x2 - 9 1/4" x 15 3/4"
.60	2	4754C0451 lift-out stove counter top	.15	13	4733-6391 latch & strike pkg.
		Note: refer to page 13 for stove components	.20	14	4754-0501 latch
.10	3	4743-3551 furnace grill	.10	15	4739B0518 hinge
1.25	4	*4747G4371 lower galley top	.10		4745C26188 hinge (spring loaded)
		4716-9691 hose strap pkg.	.35	16	4750A8481 stove support
.20		4746A0971 kill switch m4	.35	17	4754-0461 stove support brkt.
.40	5	4734D0161 hand pump	.10	18	4723B5061 safety strap
.40		4734E0161 hand pump CSA only	.05	19	4730A3548 stud w/screw
		4741A9551 inline check valve CSA only	.35	20	4749G9891 seat end
		4741A9561 female copper adapter CSA only	.15	21	4754-0471 hanger bracket
		4716-081 screw x4	.50	22	4758C5691 drawer assy. x2
		Note: refer to page 12 for pump components	.15	23	4754A0561 door panel 14" x 9 1/8"
.25	6	4734H0991 grab bar 14 1/2"	.15	24	4754A1461 door panel 14" x 10 3/4"
.15	7	4744A9261 knuckle latch m4	1.50	25	*4749J9901 galley front
		4738-3088 screw x2	.10	26	4754C5391 cutting board assy.
.30	8	4710F0301 sink	.10	27	4740A1891 support leg brkt. m2
		Note: refer to page 12 for sink components	.10	28	4754A08861 latch strike
.65	9	4716C0151 3/8" f-channel 24" pc.	.10	29	4716-9691 hose strap pkg.



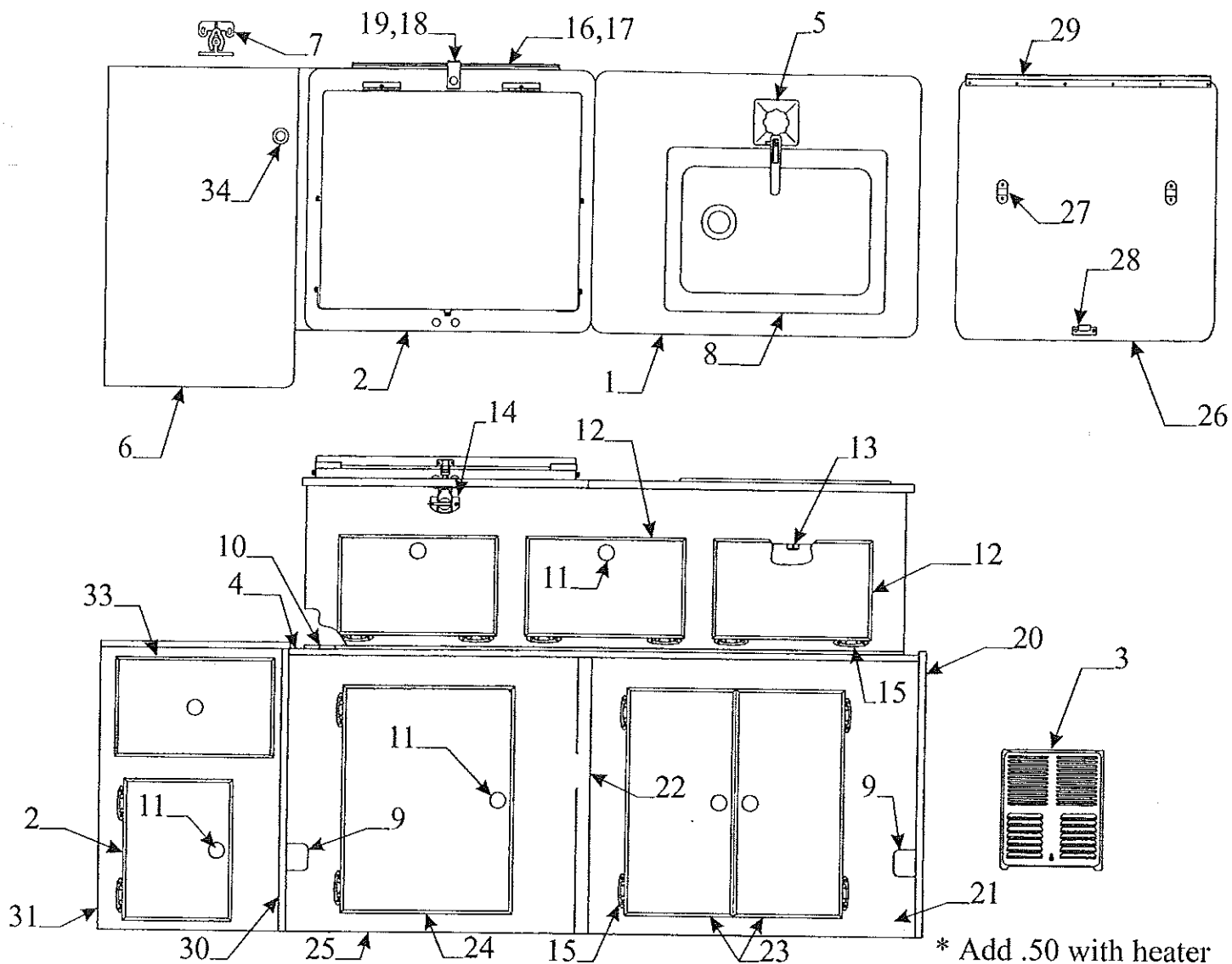
* Add .50 with heater

Flat Rate	Code	Part #	Description	Flat Rate	Code	Part #	Description
1.00	1	4757-3231	upper galley top	.10	11	4748A3951	door pull (includes screw)
1.00		4757A3231	upper galley top CSA only	.15	12	4754-9471	door panel 12 3/4" x 5 3/4"
.30		4060400090P	t-molding pkg. (14' pc.)	.15	13	4733-6391	latch & strike pkg.
.60	2	4754A9441	lift-out stove counter top	.20	14	4754-0501	latch
		Note: refer to page 13 for stove components		.10	15	4739B0518	hinge
.10	3	4743-3551	furnace grill	.10		4745C26188	hinge (spring loaded)
1.25	4	*4757A3191	lower galley top	.35	16	4750A8481	stove support
.20		4746A0971	kill switch m4	.35	17	4754-0461	stove support brkt.
.40	5	4734D0161	hand pump	.10	18	4723B5061	safety strap
.40		4734E0161	hand pump CSA only	.05	19	4730A3548	stud w/screw
		Note: refer to opposite page for csa check valve		.35	20	4754D2611	seat gazoodi
		Note: refer to page 12 for pump components		.75	21	4754-8421	lower galley frt. "small"
.25	6	4754-8511	paper towel holder	.50	22	4754A0481	built-in cooler
.15	7	4744A9261	knuckle latch m4	.15	23	4754A0561	door panel 14" x 9 1/8"
		4738-3088	screw x2	.15	24	4757-3211	door panel 19" x 9 1/8"
.30	8	4710F0301	sink	1.50	25	*4757-3201	galley front "large"
		Note: refer to page 12 for sink components		.10	26	4757C6511	cutting board assy.
.25	9	4754A0901	galley rest (plastic)	.10	27	4740A1891	support leg brkt. M2
.50	10	4757-2621	hinge	.10	28	4754A08861	latch strike
		1103B08148	7/8" screw x6	.15	29	4754-0471	hanger bracket
		1016B08208	machine screw x2	.10	30	4716-9691	hose strap pkg.
		1201B6908	nut x2				

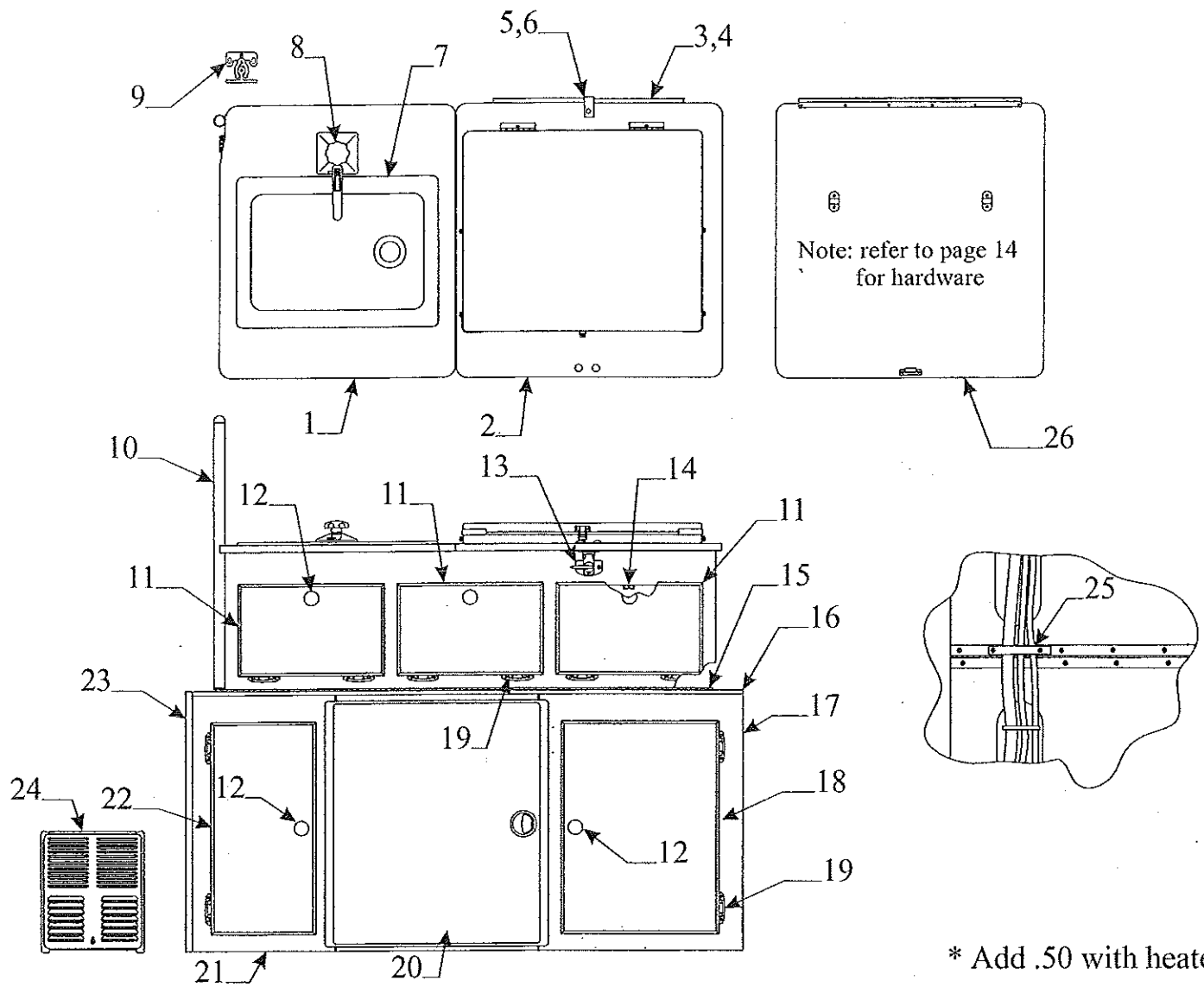


* Add .50 with heater

Upper & Lower Galley Assy. Components - 3470 Redwood							
Flat Rate	Code	Part #	Description	Flat Rate	Code	Part #	Description
1.00	1	4757A1031	upper galley top	.10	8	4739B0518	hinge
.30		4060400090P	t-molding pkg. (14' pc.)	.20	9	4754-0501	latch
.60	2	4742K8141	lift-out stove counter top	1.25	10	4757-1051	lower galley top
			Note: refer to page 13 for stove components			4716-9691	hose strap pkg.
.10	3	4749K6551	cutting board assy.	.20		4746A0971	kill switch m4
			Note: refer to page 15 for hardware	1.50	11	*4757-1041	lower galley frt. Large
.30	4	4710F0301	sink	.10	12	4743-3551	furnace grill
			Note: refer to page 12 for sink components	.15	13	4755-4081	door panel 18 7/8" x 9 1/8"
.40	5	4734D0161	hand pump	.10	14	4758B5751	drawer assy.
		4716-081	screw x4	.15	15	4754A0561	door panel 14" x 9 1/8"
			Note: refer to page 12 for pump components	.75	16	4754-8331	lower galley frt. (Small)
.15	6	4754-9471	door panel x3 - 12 3/4" x 5 3/4"	.75	17	4754A4851	lower galley side left
.10	7	4748A3951	door pull (includes screw)	.50	18	4754-9451	hinge



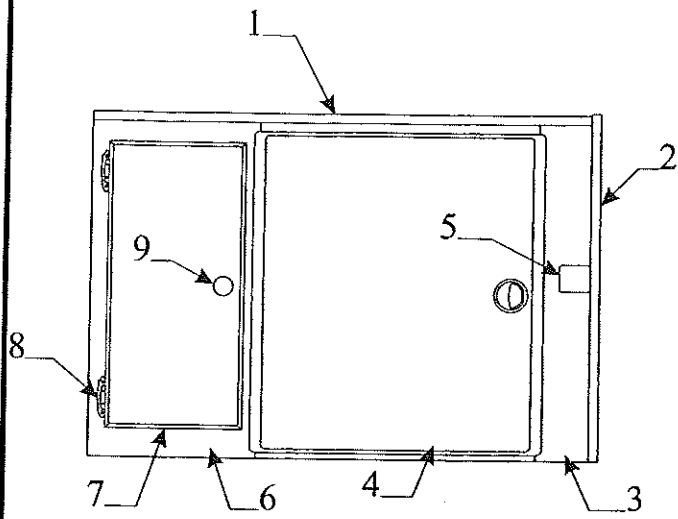
Flat Rate	Upper & Lower Galley Assy. Components -3492 Tacoma	Code	Part #	Description	Flat Rate	Code	Part #	Description
1.00		1	4757-4091	upper galley top (non hot water)	.20	14	4754-0501	latch
1.25			4757-4151	upper galley top (hot water)	.10	15	4739B0518	hinge
.30			4060400090P	t-molding pkg. (14' pc.)	.10		4745C26188	hinge (spring loaded)
.60		2	4757-3971	lift-out stove counter top	.35	16	4750A8481	stove support
			Note: refer to page 13 for stove components		.35	17	4754-0461	stove support brkt.
.10		3	4743-3551	furnace grill	.10	18	4723B5061	safety strap
1.25		4	4755D1381	lower galley top	.05	19	4730A3548	stud w/screw
.20			4746A0971	kill switch m4	.35	20	4755A2901	gazoodi
.40		5	4734D0161	hand pump (non hot water)	.75	21	4755C0711	lower galley fit. "right"
1.00			4745D2741	mixer faucet (hot water)	.50	22	4754A054	h-channel connector
			Note: refer to page 12 for pump components		.15	23	4757-4051	door panel x2 -18 1/2" x 8 3/4"
.25		6	*4756-8791	cabinet top	.15	24	4757-3211	door panel 18 1/2" x 13 3/4"
.15		7	4744A9261	knuckle latch m4	1.50	25	4757D0061	galley front "left"
			4738-3088	screw x2	.10	26	4759-5651	cutting board assy.
.30		8	4710F0301	sink (non hot water)	.10	27	4740A1891	support leg brkt. M2
.80			4745B2801	sink (hot water)	.10	28	4754A08861	latch strike
			Note: refer to page 12 for sink components		.15	29	4754-0471	hanger bracket
.25		9	4754A0901	galley rest (plastic)	.65	30	4716C0151	3/8" f-channel 24" pc.
.50		10	4757-2621	hinge	.85	31	*4756-8771	cabinet front
.10		11	4748A3951	door pull (includes screw)	.15	32	4754A0561	door panel 14" x 9 1/8"
.15		12	4757-2811	door panel x3 - 12 3/4" x 8"	.10	33	4752H6931	drawer assy.
.15		13	4733-6391	latch & strike pkg.	.10	34	4747-8941	black cap insert



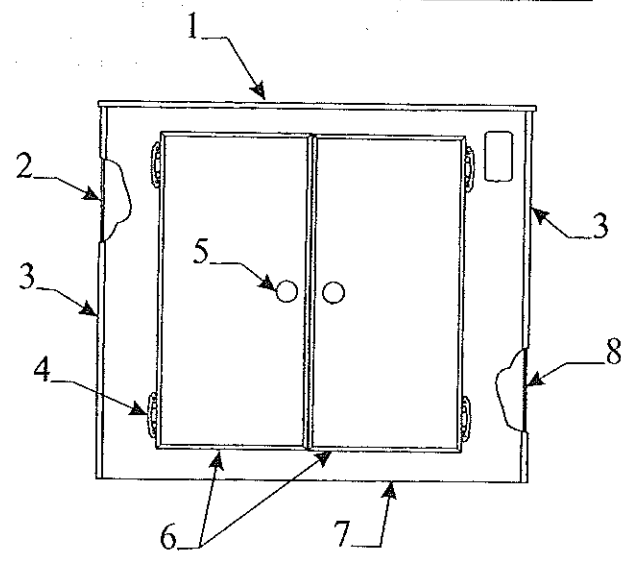
* Add .50 with heater

Flat Rate	Upper & Lower Galley Assy. Components - 3460,61	Flat Rate			Description			
Code	Part #	Code	Part #					
1.00	1	4756-9501		galley top w/out hot water 3460	.15	14	4733-6391	door latch & strike
1.25		4757-2581		galley top 3461(3460 w/hot water)	.50	15	4757-2621	hinge (all)
.30		4060400090P		t-molding pkg. (14' pc.)	1.25	16	4756A9101	l.g. top 3460 w/out hot water
.60	2	4754A8441		lift-out stove counter top 3460,61	1.25		4756A9941	l.g. top 3460 w/hot water
				Note: refer to page 13 for stove components	1.25		4757C2551	lower galley top 3461
.35	3	4750A8481		stove support	.20		4746A0971	kill switch m4
.35	4	4754-0461		stove support brkt.	.75	17	4756-9091	lower galley frt. right 3460
.10	5	4723B5061		safety strap	.75		4757-2571	lower galley frt.right 3461
.05	6	4730A3548		stud w/screw	.15	18	4757-2531	door pnl. 18 1/2" x 13 3/4"3460,61
.30	7	4710F0301		sink w/out hot water 3460	.10	19	4739B0518	hinge
.80		4745B2801		sink 3461 (3460 w/hot water)	.10		4745C26188	hinge (spring loaded)
				Note: refer to page 12 for sink components	.50	20	4754A0481	built-in cooler 3460,61
.40	8	4734D0161		hand pump 3460	.75	21	4756-9161	lower galley frt.left 3460
1.00		4745E2741		mixer faucet 3461 (3460 w/hot w)	.75		* 4757A2561	lower galley frt.left 3461
				Note: refer to page 12 for pump components	.15	22	4755-4081	door pnl. 19" x 9 1/8" 3460
.15	9	4744A9261		knuckle latch m4	.15		4754A0561	door pnl. 14" x 9 1/8" 3461
.30	10	4757-2991		galley support pole 3460,61	.35	23	4756-0011	gazoodi 3461
		4754-0501		plastic cap m2	.10	24	4743-3551	furnace grill 3461
.15	11	4757-2811		door panel x3 -12 3/4" x 8"	.10	25	4716-9691	hose strap pkg.
.10	12	4748A3951		door pull (includes screw)	.10	26	4757B6511	cutting board 3460,61
.20	13	4754-05011		latch				

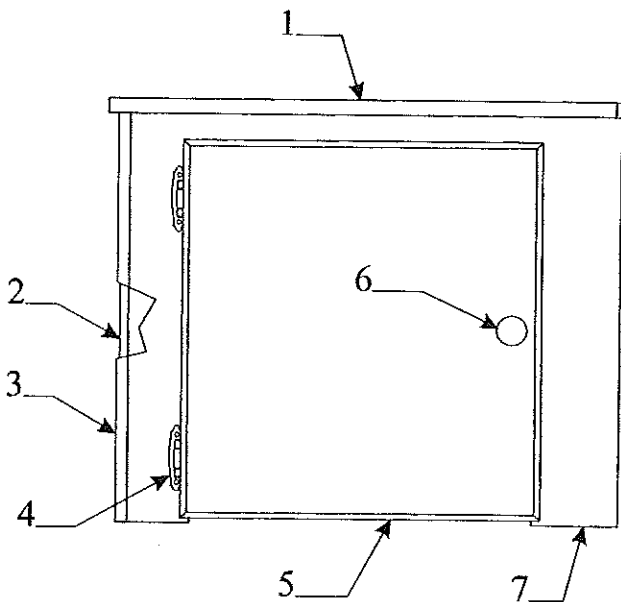
RSR Hutch Components 3470,3492			
Flat Rate	Code	Part #	Description
.25	1	4754B8321	cabinet top 3470 Rdwood
.25		4752E4601	cabinet top 3492 Tacoma
.30		4060462504P	t-molding pkg. (9' pc.)
.30	2	4754A8261	seat gazoodi 3470 Redwood
.30		4060400087P	5/8" oak t-molding pkg. (12' pc.)
.30		4752E4571	cabinet side "right" 3492 Tacoma
.75	3	4756-9031	cabinet frt. rt. 3470 Redwood
.75		4752E4561	cabinet frt. rt. 3492 Tacoma
.50	4	4754A0481	built-in cooler
.25	5	4754A0901	galley rest (plastic)
.75	6	4754-8331	cabinet front "left" 3470 Redwood
.75		4752G4551	cabinet front "left" 3492 Tacoma
.15	7	4755-4081	door panel 18 7/8" x 9 1/8" 3470
.15		4757-2531	door panel 18 1/2" x 13 3/4" 3492
.10	8	4745C26188	hinge (spring loaded)
.10	9	4748A3951	door pull (includes screw)

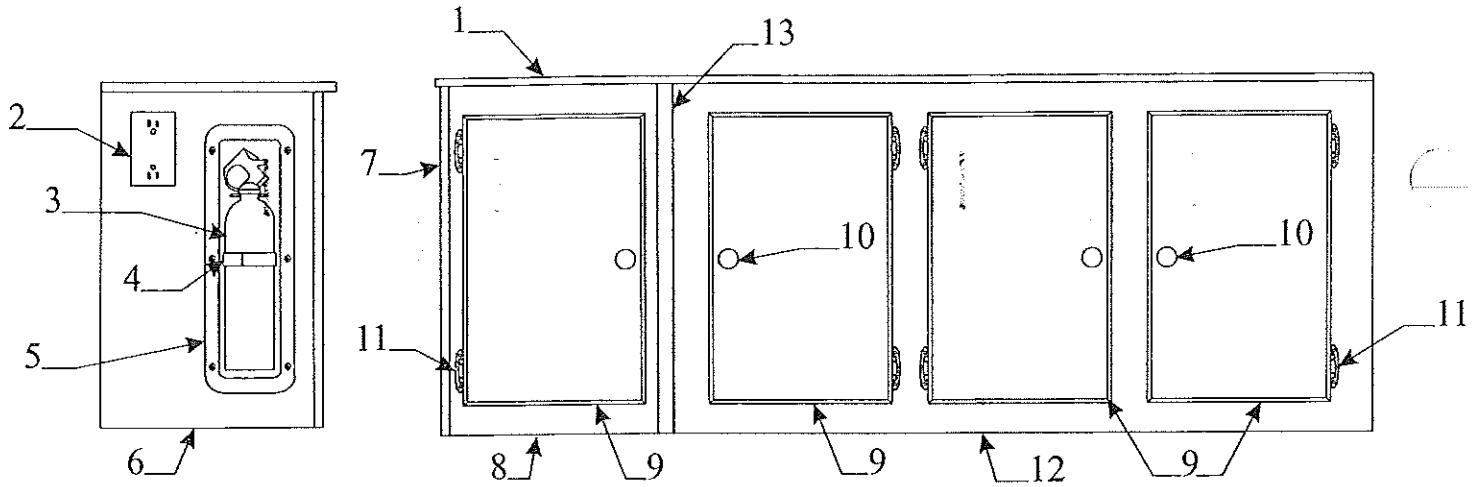


Hutch Components 3460 Fairview (doorway left)			
Flat Rate	Code	Part #	Description
.25	1	4756-9891	hutch top
.30	2	4756-9571	hutch side "left"
Note: refer to page 20 For fire extinguisher			
.30	3	4716-1421	5/32" f-channel 24" pc.
.10	4	4745C26188	hinge (spring loaded)
.10	5	4748A3951	door pull (includes screw)
.15	6	4755-4081	door panel 19" x 9 1/8"
.75	7	4756A9881	hutch front
.50	8	4756A9901	hutch side "right"

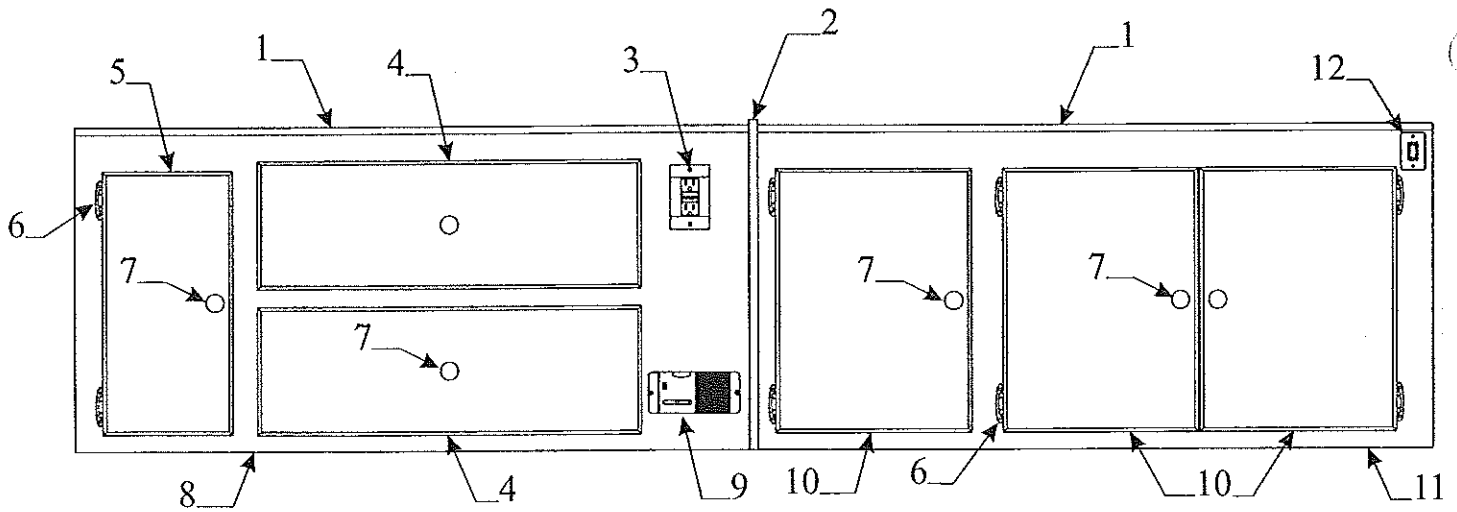


Curbside Corner Cabinet Components 3475,70,76			
Flat Rate	Code	Part #	Description
.25	1	4747D3321	csf cabinet top 3475
.25		4754A9061	csf cabinet top 3470
.25		4756B4701	csf cabinet top 3476
.30		4060462504P	t-molding pkg. (9' pc.)
.30	2	4747E3351	cabinet side 3475,70
.30		4756B4671	cabinet side w/door cutout 3476
.65	3	4716C0151	3/8" f-channel 24" pc.
.10	4	4745C26188	hinge (spring loaded)
.15	5	4754A0711	door pnl. 16 1/8" x 15 1/4" 3475,70
.15		4757-3221	door pnl. 17" x 15 1/4" 3476
.15		*4757-3211	door pnl. 18 1/2" x 11 3/4" 3476
*Note: door pnl. used on lg. cab. Side of 3476			
.15		4733-6391	latch & strike pkg.
.10	6	4748A3951	door pull (includes screw)
.50	7	4747E3281	cabinet front 3475,70
.50		4756B4691	cabinet front 3476



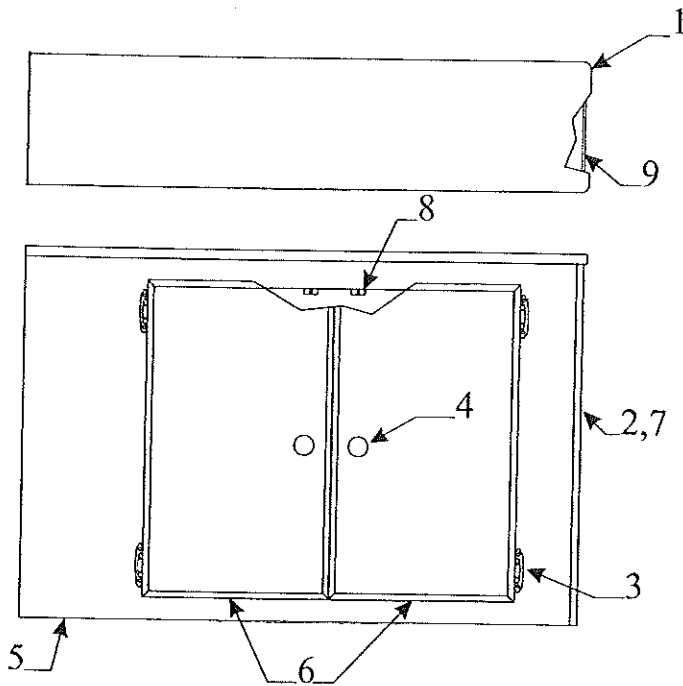


Flat Rate	Code	Part #	Description	Flat Rate	Code	Part #	Description
.75	1	4754C0511	hutch top	.55	6	4754B0521	hutch side
.30		4060462504P	t-molding pkg. (9' pc.)	.65	7	4716C0151	3/8" f-channel 24" pc.
.20	2	4752-2361	15 amp receptacle	.50	8	4754D0491	hutch front "small"
.10	3	4737A5558	fire extinguisher	.15	9	4757-3211	door panel x4
.05	4	4716-1191	fire extinguisher strap m2	.10	10	4748A3951	door pull (includes screws)
.15	5	4737B4198	recessed mount	.10	11	4745C26188	hinge (spring loaded)
		4738-3088	screw x6	1.25	12	4757-3391	hutch front "large"
				1.00	13	4754A054	3/8" h-channel

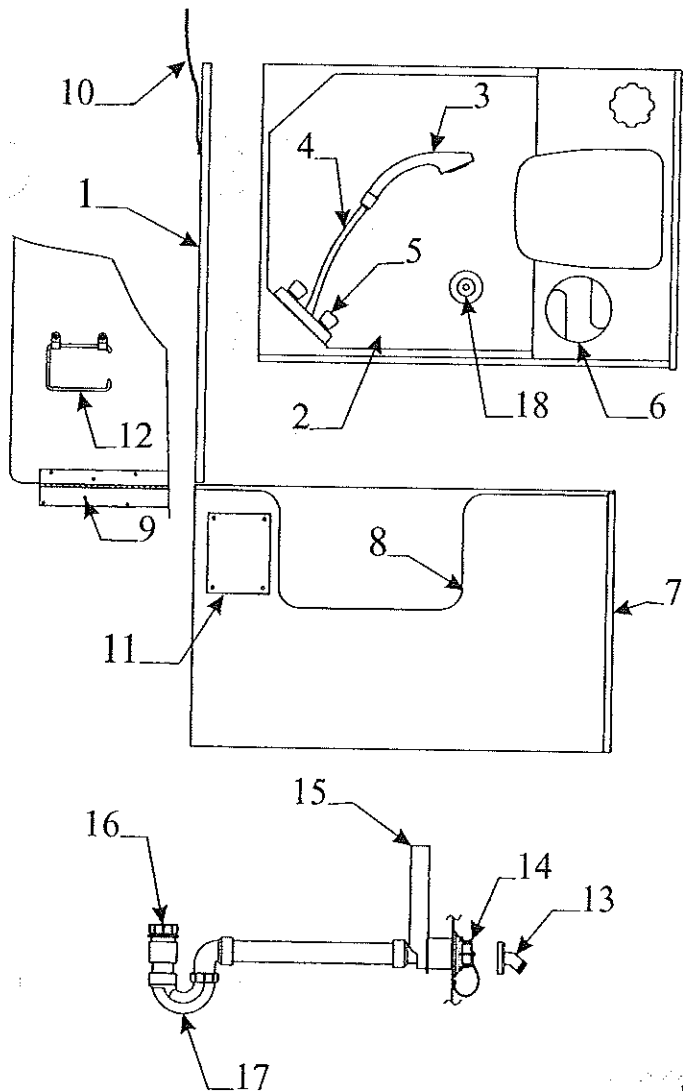


Flat Rate	Code	Part #	Description	Flat Rate	Code	Part #	Description
.75	1	4757A2501	hutch top x2	.10	6	4745C26188	hinge (spring loaded)
.30		4060462504P	t-molding pkg. (9' pc.)	.10	7	4748A3951	door pull w/screw
.75	2	4757-3461	cabinet bulkhead	1.25	8	4757B2521	hutch front "left"
.30		4060400087P	t-molding pkg. (12' pc.)	.25	9	4753-9171	lp gas detector
.35	3	4746B3841	GFI receptacle	.15	10	4757-2531	door pnl. 18 1/2" x 13 3/4"
.15	4	4757B6651	drawer assy. x2	1.25	11	4757B2511	hutch front "right"
				.10	12	4733C4981	rocker switch
.15	5	4755-4081	door pnl. 19" x 9 1/8"				

Note: refer to page 23 for drawer components

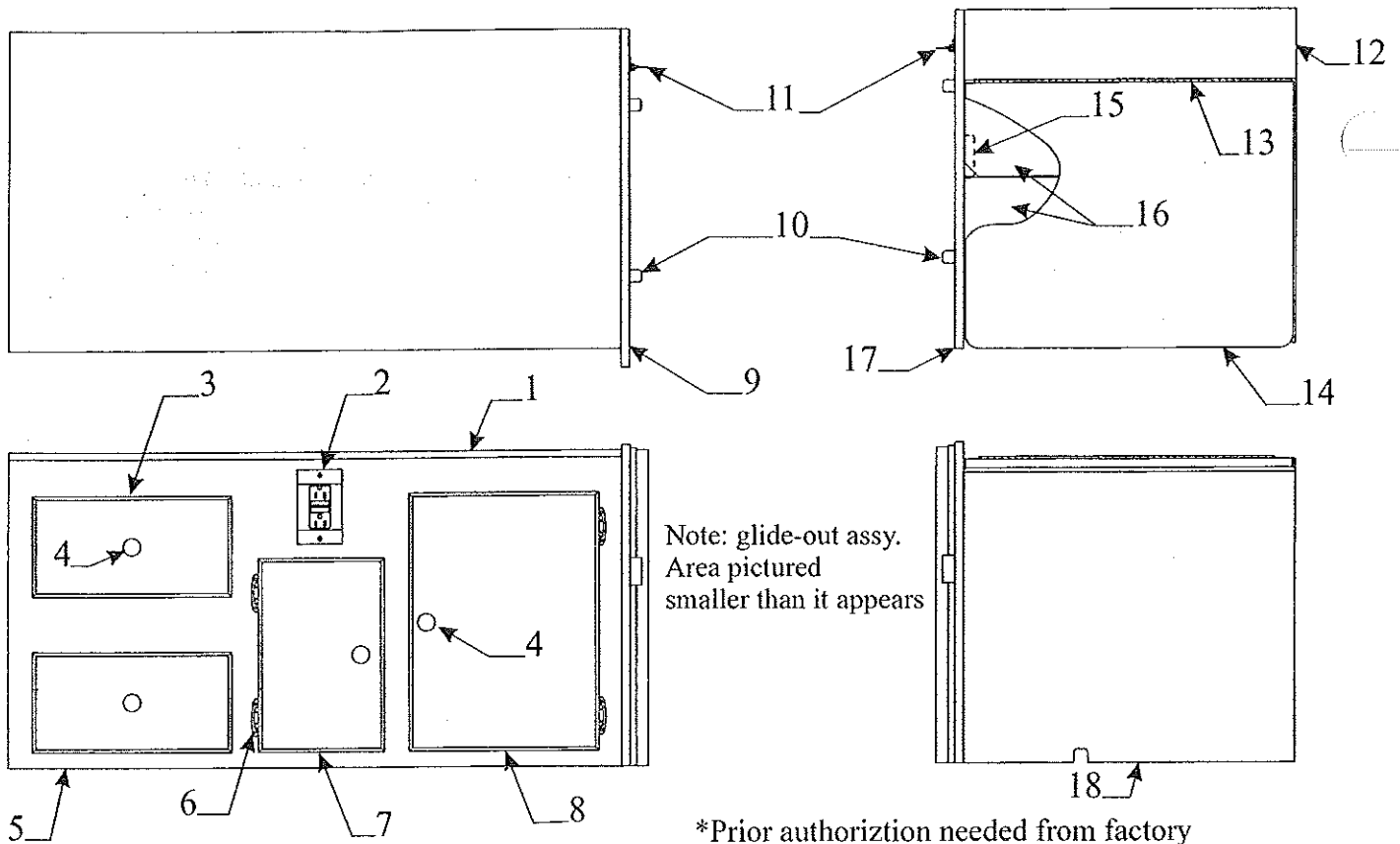


Doorway Hutch Assembly, 3461,3492			
Flat Rate	Code	Part #	Description
.25	1	4755A3851	cabinet top
.30		4060462504P	t-molding pkg. (9' pc.)
.35	2	4716C0151	3/8" f-channel 24" pc.
.10	3	4745C26188	hinge (spring loaded)
.10	4	4748A3951	door pull (includes screws)
.30	5	4752F4691	cabinet side
.15	6	4757-2531	door assy. 18 1/2" x 13 3/4"
	7	Note: refer to page 20 for fire extinguisher	
.15	8	4733-6391	latch & strike pkg.
.30	9	4752E4951	cabinet front



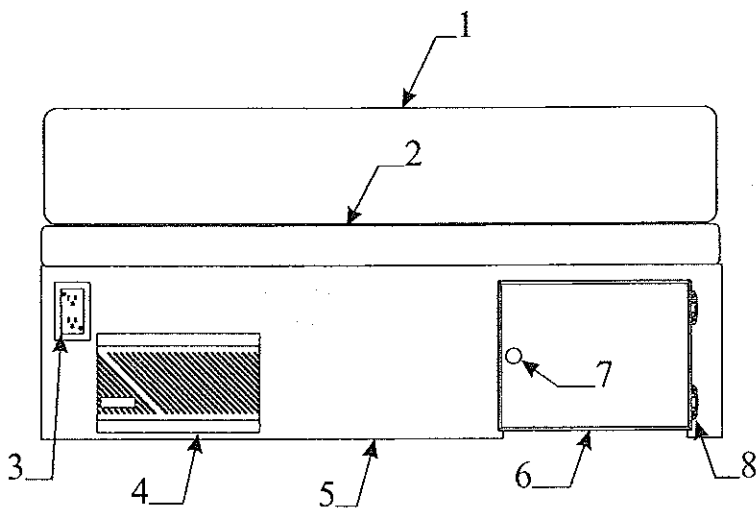
Shower Stall Components 3461 Timberlake			
Flat Rate	Code	Part #	Description
.40	1	4757A6841	shower board
1.50	2	4758A6701	shower pan & cabinet
.15	3	4746A3761	shower head w/bracket
.20	4	4741B2051	shower hose (72" length)
.50	5	4741B2071	shower diverter
.10		4716-0848	shower hose connector
.75	6	4756-2251	cassette potty
.75	7	4754B3861	shower wall
.30		4060400087P	5/8" t-molding pkg. (12" pc.)
1.50	8	4756D2531	shower threshold
		4060300083P	T-molding (threshold) (6' pc.)
.25	9	4756-4441	shower board hinge
.15	10	4755A5681	hold-up strap
.25	11	4757-2171	shower hose cover
.15	12	4756-9121	TP holder
		4747-2531	1/4" nylon clamp m2
	13	4737-9138	drain adapter
.10	14	4714A2861	cap & strap
.15		4749-4131	shower drain gasket
1.00	15	4741B9301	vent system
.50	16	4741A9331	trap adapter
.50		4752-3631	rubber washer
.40	17	4752-3621	p-trap w/union joint
.50	18	4746A1821	basket & strainer
	19	4741D6361	tub package.

Package includes: shower head, hose, head bracket, drain adapter

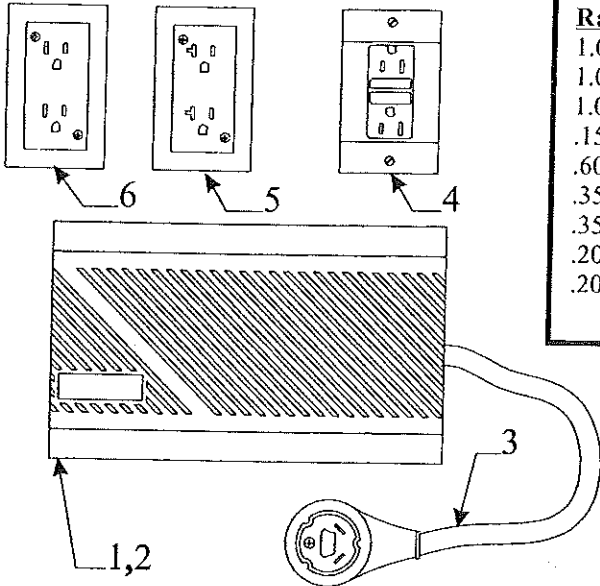


*Prior authorization needed from factory

Roadside Hutch Assy's. 3460 Fairview							
Flat Rate	Code	Part #	Description	Flat Rate	Code	Part #	Description
.75	1	4756-9211	hutch top	*	10	4755B8201	nylon block x2
.30		4060462504P	t-molding pkg. (9' pc.)	*	11	4755-4111	vertical seal extrusion (alum)
.35	2	4746B3841	GFI receptacle			4064700589P	black seal (rubber)
.15	3	4758C5691	drawer assy. x2	.50	12	4756-9551	cabinet top (fixed)
		Note: refer to page 23 for drawer components		.30	13	4756-9531	hinge
.10	4	4748A3951	door pull w/screw	.30	14	4756A9541	lift-up cabinet lid
1.25	5	4756-9191	hutch front	.15	15	4756-8741	plastic shelf rest m2
.10	6	4745C26188	hinge (spring loaded)	.25	16	4756B3161	removable shelf x2
.15	7	4754A0561	door pnl. 14" x 9 1/8"	.75	17	4756-0011	cabinet gazoodi
.15	8	4757-2531	door pnl. 18 1/2" x 13 1/2"	.30		4060400087P	t-molding pkg. (12' pc.)
.75	9	4756-9511	hutch gazoodi	.75	18	4756A9521	cabinet front

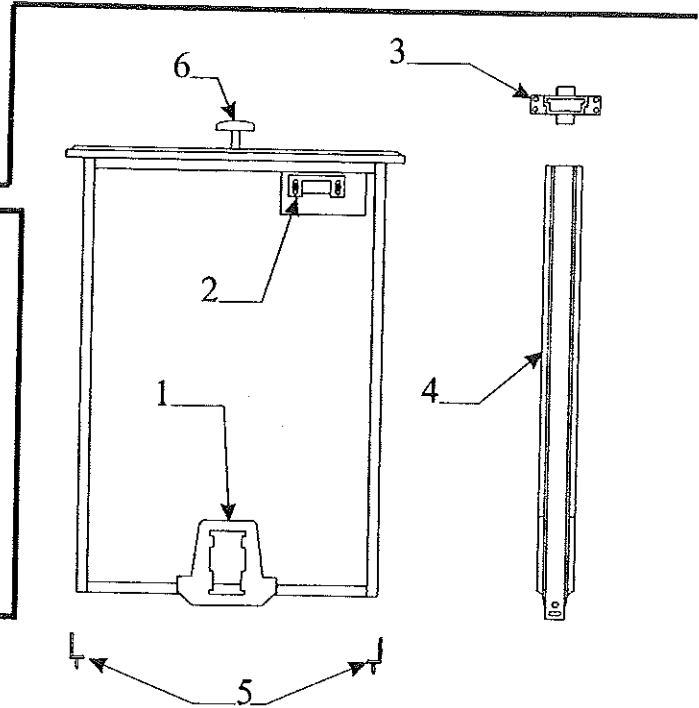


Front couch bench 3460 Fairview			
Flat Rate	Code	Part #	Description
.10	1	4758-6921	backrest assy.
.25		4716-6921	backrest cover
.10	2	4758-6901	cushion assy.
.25		4716-6901	cushion cover
.20	3	4752-2361	15 amp receptacle
	4	Note: refer to opposite page for this item	
.50	5	4756A9911	bench front
.15	6	4756A9921	door pnl. 15 3/4"x11 3/4"
.10	7	4748A3951	door pull w/screw
.10	8	4745C26188	hinge (spring loaded)



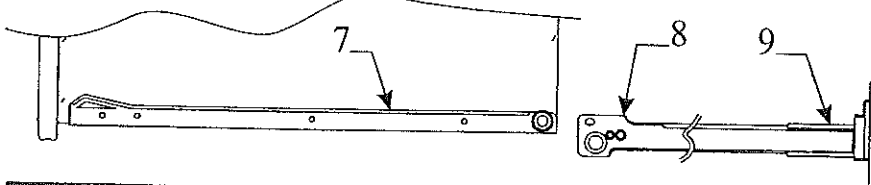
Converter & Related Parts			
Flat Rate	Code	Part #	Description
1.00	1	4742C9811	converter 12 amp (Elixir cs 1200)
1.00		4753B8201	converter 20 amp (Elixir cs 2000)
1.00		4757-3401	15/20 amp combo breaker
.15	2	4716A1301	converter face cover (plastic)
.60	3	4744-3101	power cord 30 ft.
.35	4	4746B3841	GFI receptacle w/cover (wht.)
.35		4755-8321	20 amp GFI receptacle w/cover (wht.)
.20	5	4752-2371	20 amp receptacle w/cover (wht.)
.20	6	4752-2361	15 amp receptacle w/cover (wht.)
	7	4746A3851	receptacle box

Elixir/Centurion Converter
Tech Support Phone # 1-800-848-0558

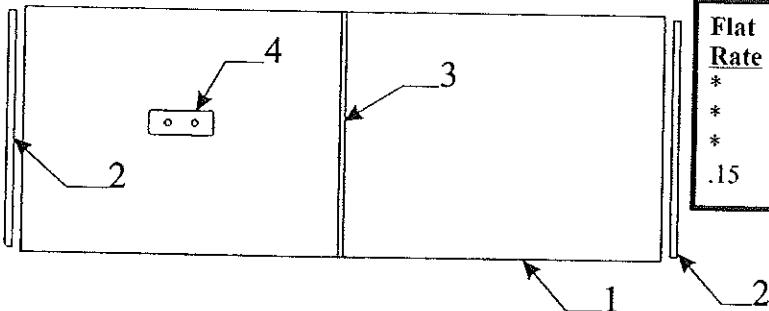


Drawer Assy. Component Parts			
Flat Rate	Code	Part #	Description
.15	1	4749-8371	plastic base guide
.15	2	4749-8381	plastic drawer latch
.15	3	4749-8361	plastic guide socket
.25	4	4754-0721	metal drawer guide
.05	5	4749-8398	plastic corner tack
.15	6	4748A3951	door pull w/screw
.50	7	*4716-8841	16" drawer guide pkg.
.25	8	*4716-8911	22" drawer guide/socket set (Must cut to length)
.25	9	*4755-8801	plastic socket "left"
		*4755-8811	plastic socket "right"

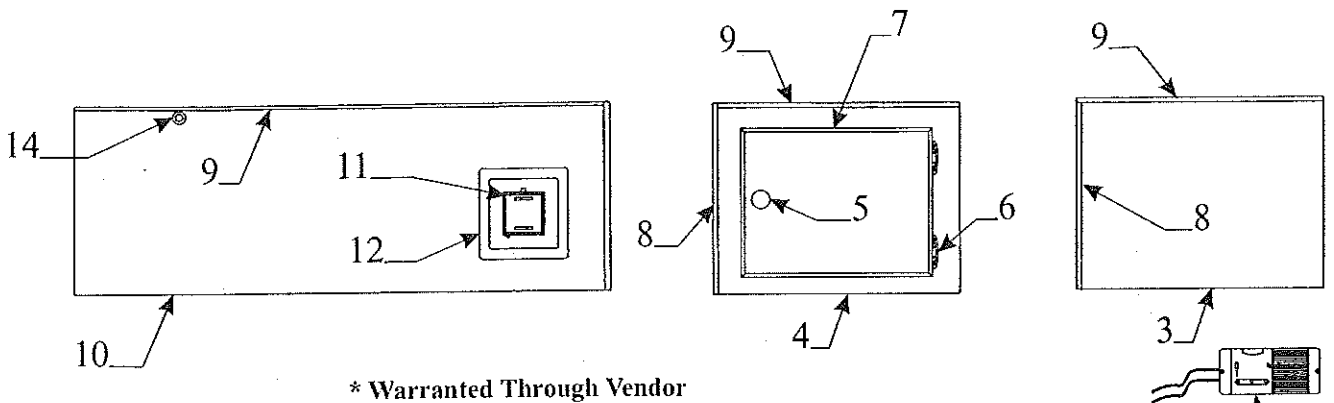
* Note: parts used only on 3461 Timberlake rs hutch large drawers x2



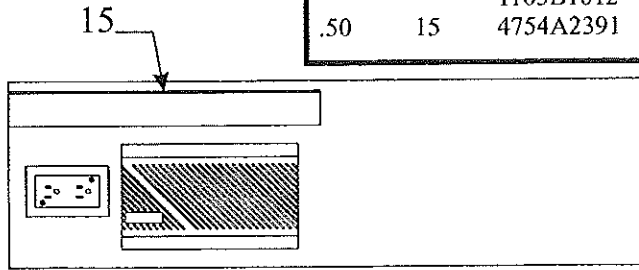
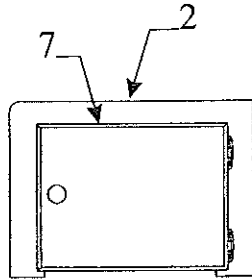
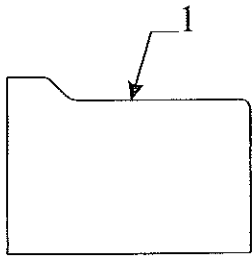
* Prior Authorization Needed



Paneling & Trim (Must Cut To Size)			
Flat Rate	Code	Part #	Description
*	1	4754D1361	universal wall panel 48" x 23 13/16"
*	2	4716B1321	universal corner divider m2 48" pc.
*	3	4716B1331	universal panel divider m2 48" pc.
.15	4	4754A0901	galley rest



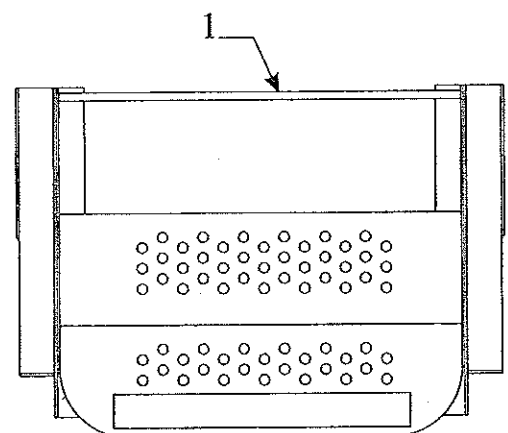
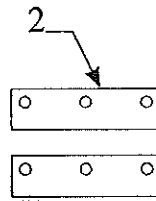
* Warranted Through Vendor



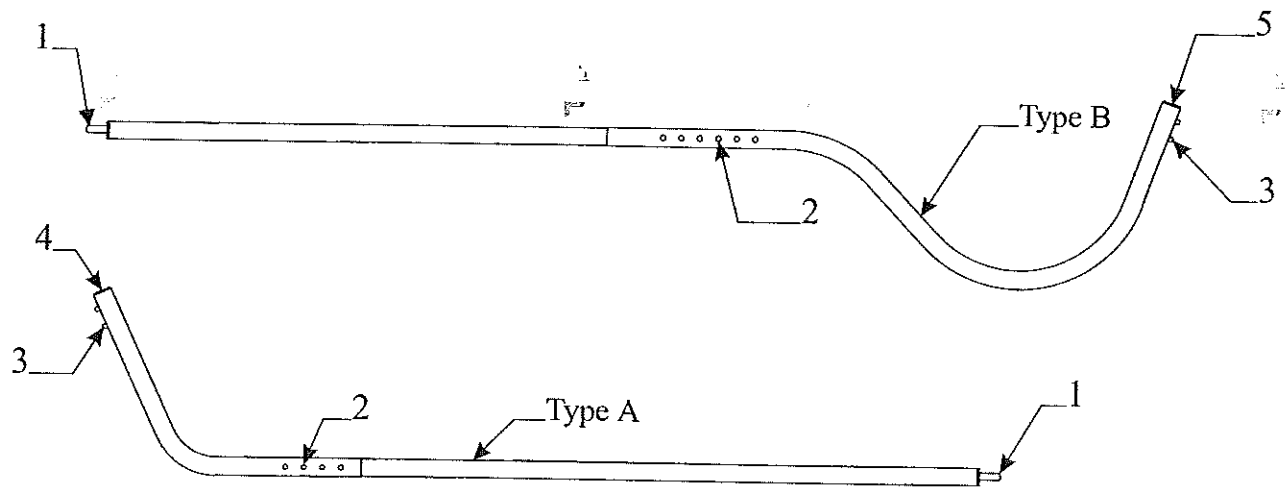
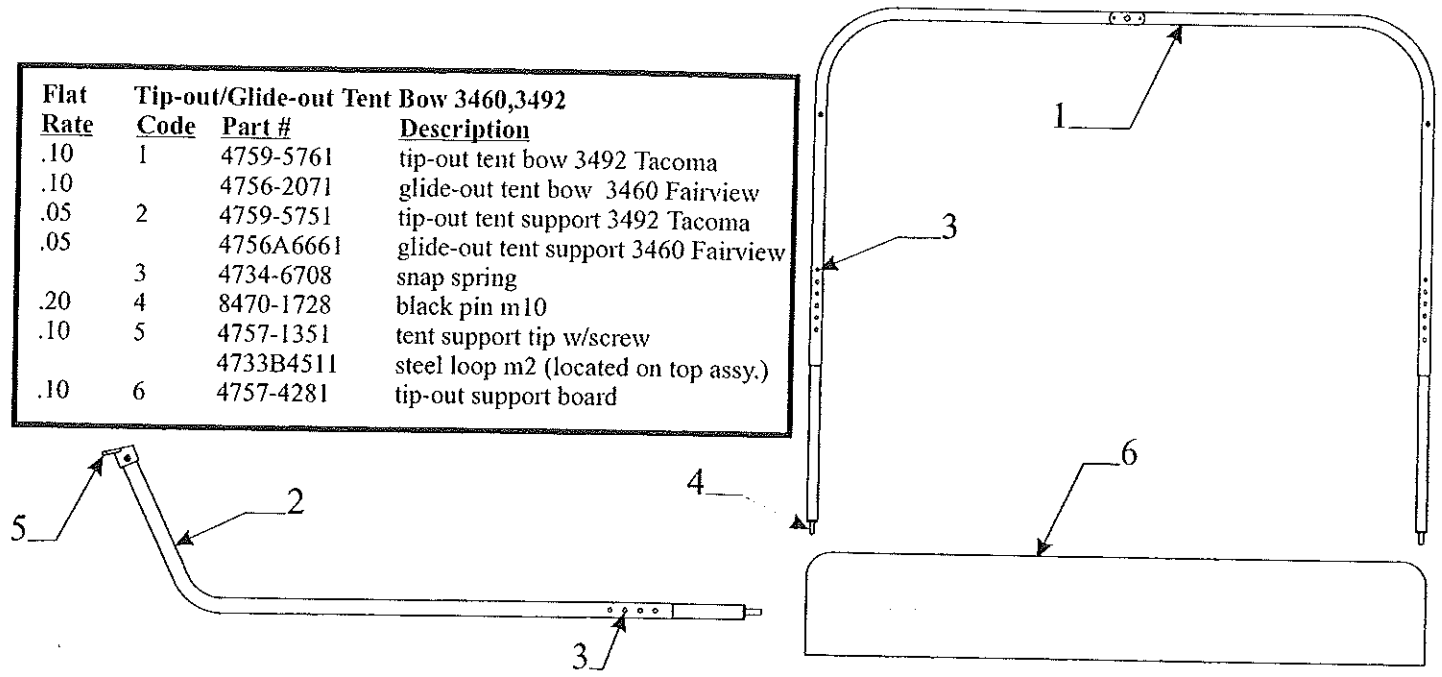
Flat Rate	Code	Part #	Description
.30	1	4749F9881	seat end curbside bench 3475
.30		4060400087P	t-molding 5/8" lipped (12' pc. Pkg.)
.30	2	4749G9891	seat end roadside bench 3475
.30		4752D4771	seat end w/door cutout csf bench 3492
.30	3	4755A8161	seat end (both benches) 3476
.30		4755B1061	seat end (both benches) 3461,3470
.30	4	4754C0371	seat end (glide-out benches) 3460
.15	5	4748A3951	door pull w/screws
.10	6	4745C26188	hinge (spring loaded)
.15	7	4756-8921	door panel 3460,3492 (glide-out benches on 3460)
.65	8	4716-1421	5/32" f-channel 24" pc.
.50	9	4060015602P	5/32" u-channel 48" pc.
.50	10	4716A2721	bench panel 14 1/2" x 48"
*	11	4752-8461	thermostat
.20	12	4747-8391	plastic base & bracket
.25	13	4753-9171	lp gas detector
.10	14	4724-2608	stop button
		1103B1012	#10 3/4" screw
.50	15	4754A2391	cushion rest (must cut to size) 3492 Tacoma



Flat Rate	Step	Code	Part #	Description
.50	1		4747A9741	step
	2		4750-3361	step shim x2
	3		1200B3048	bolt x6
			1201B6068	nut x6

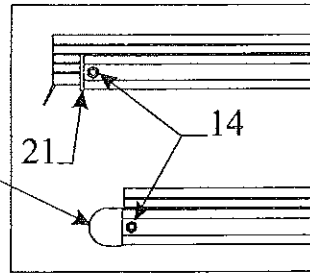
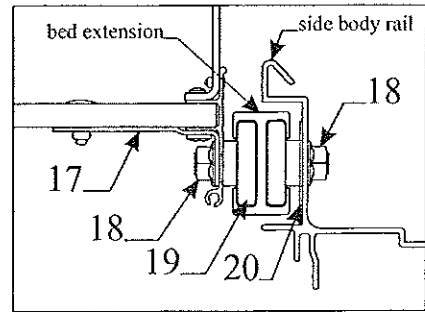
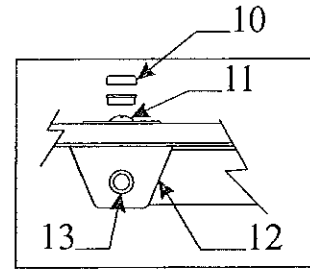
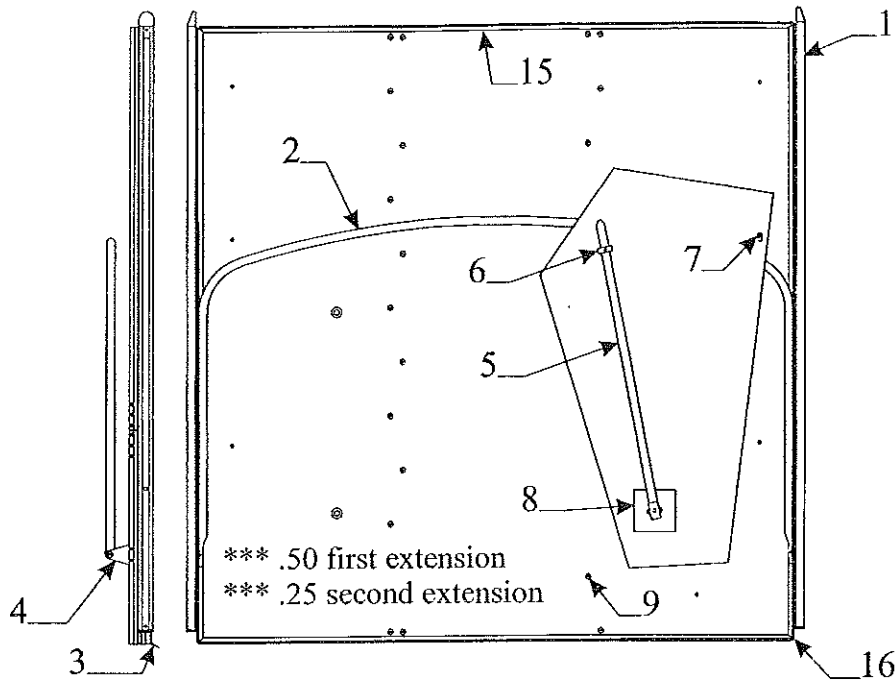


Flat Rate	Code	Part #	Description
.10	1	4759-5761	tip-out tent bow 3492 Tacoma
.10		4756-2071	glide-out tent bow 3460 Fairview
.05	2	4759-5751	tip-out tent support 3492 Tacoma
.05		4756A6661	glide-out tent support 3460 Fairview
	3	4734-6708	snap spring
.20	4	8470-1728	black pin m10
.10	5	4757-1351	tent support tip w/screw
		4733B4511	steel loop m2 (located on top assy.)
.10	6	4757-4281	tip-out support board



Flat Rate	Code	Part #	Description
.20	1	8470-1728	pole pin "black" m10
.10	2	4734-6708	spring assy.
.10	3	4734A6708	spring assy.
.10	4	4730B4648	tube closure "white"
.10	5	4752-0561	tube closure "black"

Tent Support Assemblies (Complete)				
Flat Rate .10 per Tent Support				
Model	Type	Front Bed	Type	Rear Bed
3475 Taos	A	4747A5731	A	4747A5731
3476,3470	B	4741G5581	B	4741F5591
3460,61,92	B	4741G5581	B	4741G5581



- 3476,60,61,92 4755B5161 Front Bed Assy. "Complete"(king) F. R. - .75
- 3470 4758A5931 Front Bed Assy. "Stationary" F.R. - .75
- 3470 4758A5941 Front Bed Assy. "Flip-over" F.R. - .50
- 3470,76 4754D5701 Rear Bed Assy. "Complete" (double) F. R. - .75
- 3460,61,92 4754D5691 Rear Bed Assy. "Complete" (king) F.R. - .75

Flat Rate	Front/Rear Bed Assy. Components 3470,76,60,61,92	Code	Part #	Description
***		1	4716U4031	bed extension (x2 per bed) Note: must cut to size if needed for rear bed assy.
.25		2	4714B1901	tent bow/leg package
.25		3	4060400339F	vinyl bed seal (sold/foot)
.15		4	4720G5631	bed bow bracket (x2 per bed)
.20		5	4734E5881	bed leg assembly m2 (x2 frt./rear bed)
.15		6	4720C0771	bed leg clip m4
			1203-8831	rivet m25 (rivet clip to bed)
.15		7	4720D4021	lashing hook m6
			1203-8741	rivet m25 (rivet hook to bed)
.20		8	4737A4178	support plate
		9	1203C8721	rivet m25
		10	4739E2908	screw cap m10
			4739-2918	screw cap washer m10
		11	4716-074	screw
			1202B2528	washer
.20		12	4734A5141	bed leg bracket
		13	4720A2361	rod & pal nut
.20		14	1034B16128	flat head screw
			1201B6378	lock nut
1.50		15	4733D0921	*inside bed frame (front bed 3476,60,61,92)
1.50			4739C4631	inside bed frame (rear bed 3470,76)
1.50			4756A8561	inside bed frame (stationary bed)3470
1.50			4756A8551	flip-over bed frame 3470
1.50		16	4744B9991	*outside bed frame (front bed 3476,60,61,92)
1.50			4720F1181	outside bed frame (rear bed 3470,76)
1.50			4756A8541	outside bed frame (stationary bed) 3470
.20		17	4755A2591	bed brkt. w/mounting hardware x4
		18	4739-2298	lock nut
.50		19	4754-8101	bed roller, nut, bolt, & washer pkg.
		20	1202B2908	washer
.15		21	4754-8631	bed slide end cap
.15		22	4754-4821	bed slide wedge
.40		23	4737E8691	bed rest 3470 (loacted on frt. stationary bed)
.15		24	4720C3601	hinge x3 3470 (located on frt. Flip-over bed)

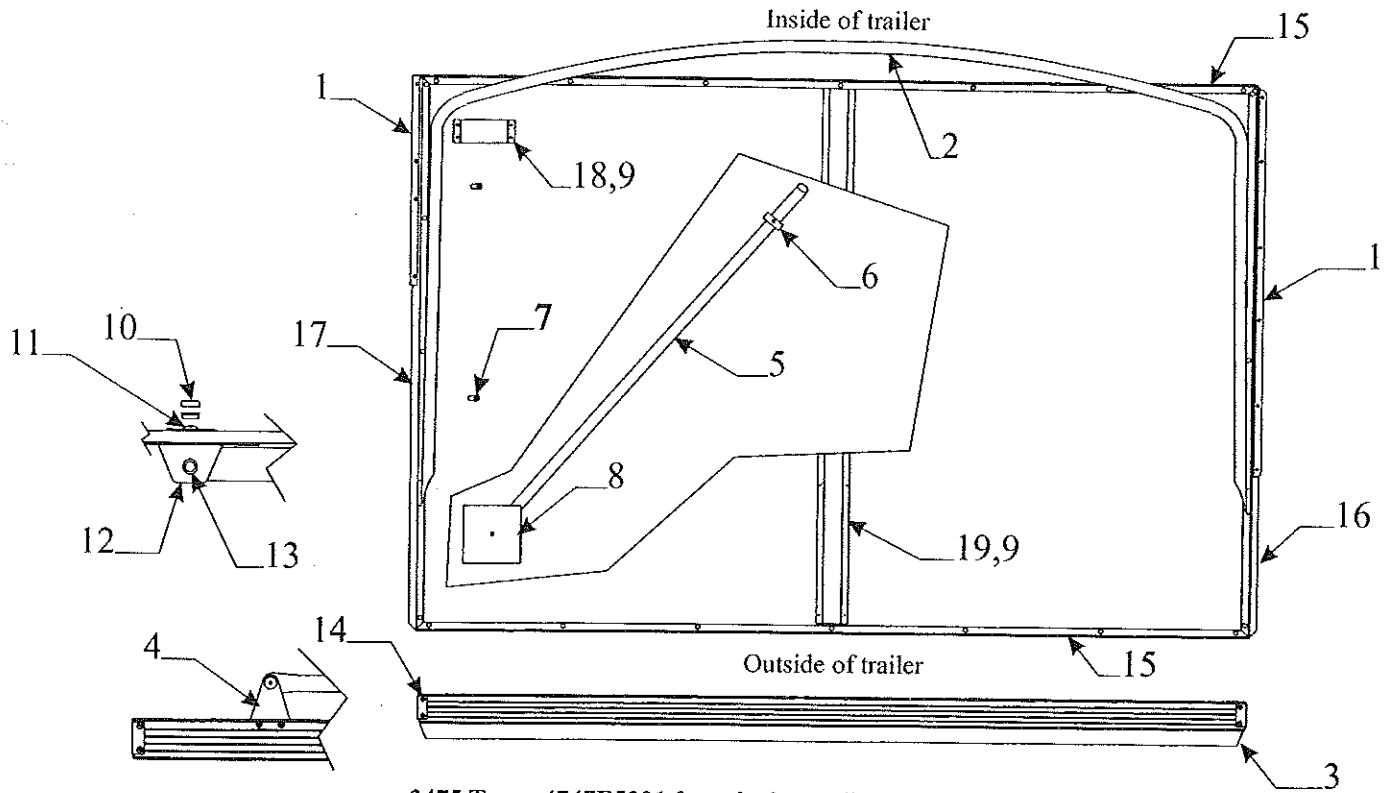
Mattress Assemblies & Covers Flat Rate .50 per cover

Model	Frt. Matt. assy.	Frt. Matt. Cover
3475 Taos	4749K6361	4716K6361
3476,60,61,92	4757-6421	4714-6421
3470 (small)	4755B5731	4716B5731
3470 (large)	4755B5721	4716B5721

Model	Rear Matt. assy.	Rear Matt. Cover
3475 Taos	4749K6361	4716K6361
3470,76	4757B5091	4716A5091
3460,61,92	4757-6421	4714-6421

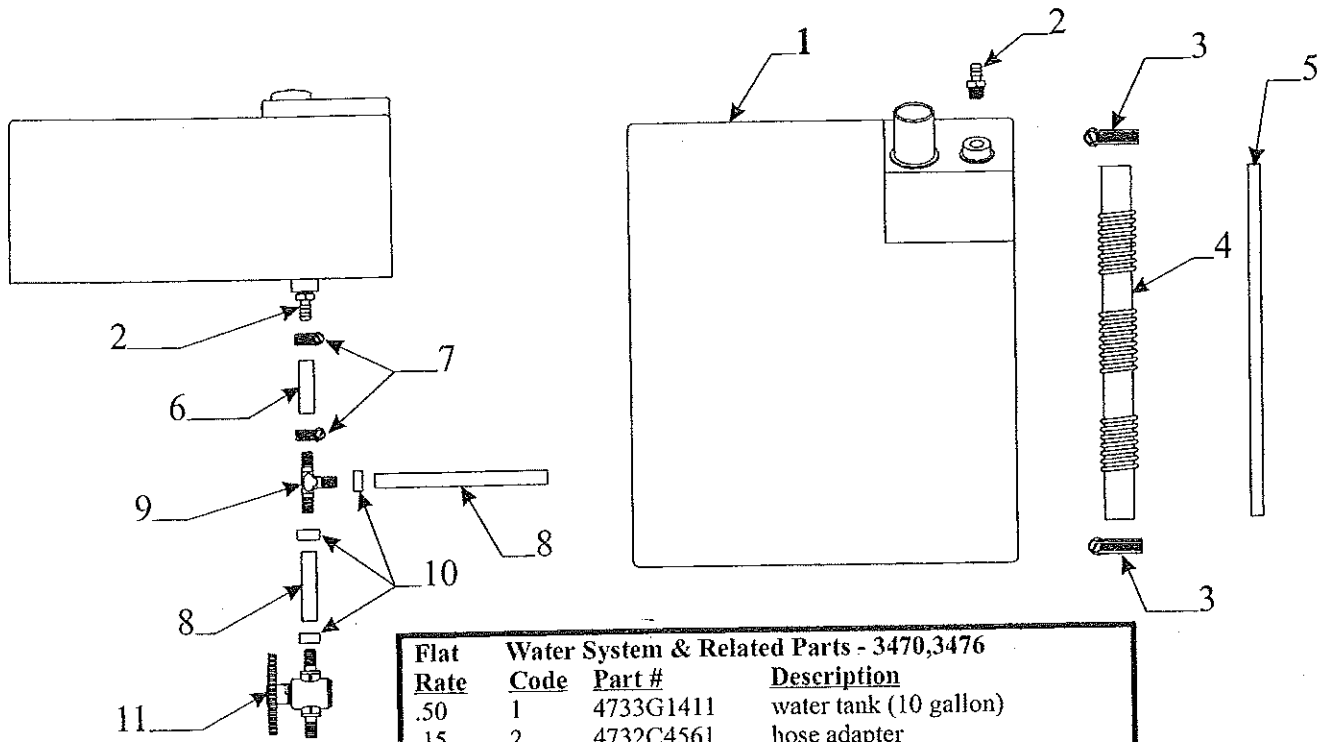
Mattress Assembly Dimensions		
Model	Frt. Matt. Assy.	Rear Matt. Assy.
3475 Taos	72" x 48" x 3 1/2"	72" x 48" x 3 1/2"
3476 Sedona	77" x 70" x 3 1/2"	77" x 48" x 3 1/2"
3460,61,92	77" x 70" x 3 1/2"	77" x 70" x 3 1/2"
3470 (small)	77" x 16 1/2" x 3 1/2"	77" x 48" x 3 1/2"
3470 (large)	77" x 53" x 3 1/2"	

* Note: inside & outside rear bed frames are the same as front bed on 3460,61,92



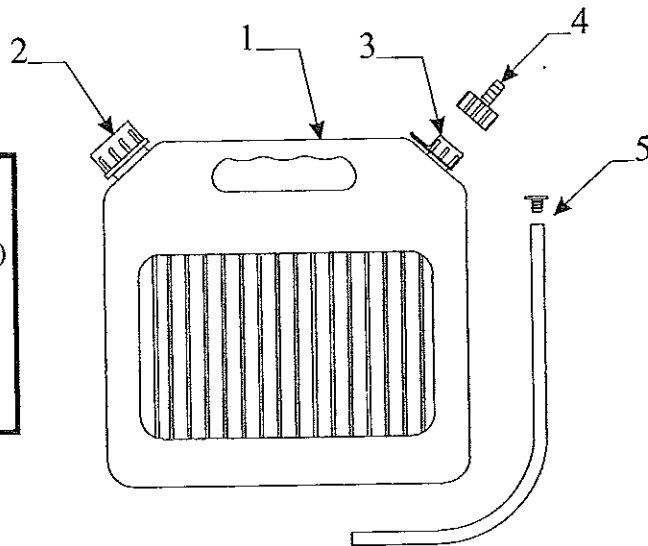
3475 Taos - 4747E5201 front bed assy. "complete" (double) F.R. - .50
 3475 Taos - 4747E5481 rear bed assy. "complete" (double) F.R. - .50

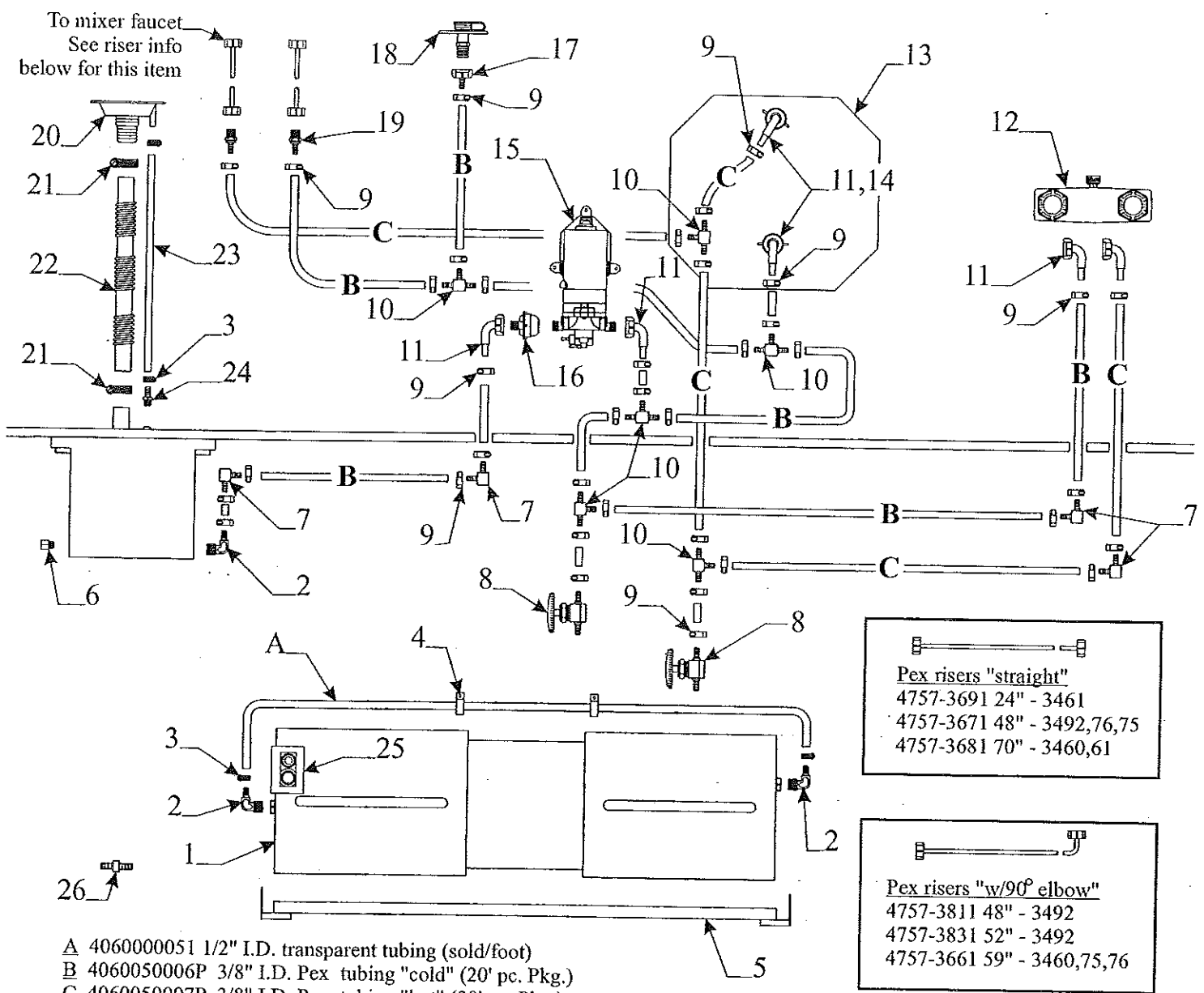
Flat Rate	Frnt. & Rear Bed Assy. Code	Components Part #	Description
.40	1	4747C4051	plastic bed slide 18"
.40		4747C3691	plastic bed slide 40"
		4752-3061	rivet m25
.25	2	4714A1901	tent bow/leg package
.25	3	4060400339F	vinyl bed seal (sold/foot)
.15	4	4720G5631	bed bow bracket x2
.20	5	4734E5881	frt. bed leg assy. m2
.20		4750-6171	rear bed leg assy. x2
.15	6	4720C0771	bed leg clip m4
		1203-8831	rivet m25
.15	7	4720D4021	lashing hook m6
		1203-8741	rivet m25
.20	8	4737A4178	support plate
	9	1203C8721	rivet m25
	10	4739E2908	screw cap m10
		4739-2918	screw cap washer m10
	11	4716-074	screw
		1202B2528	washer
.20	12	4734A5141	bed leg bracket
	13	4720A2361	rod & pal nut
.20	14	4747A3221	corner angle x4
		1203-8641	rivet m25
.50	15	4747A3241	front & rear bed frame
.60	16	4747A3231	side rail csf/rsf
.60	17	4749A8151	side rail csf/rsr
.20	18	4749A4891	bed stop
.40	19	4747A1161	bed channel





Water System & Related Parts - 3470,3476				
Flat Rate	Code	Part #	Description	
.50	1	4733G1411	water tank (10 gallon)	
.15	2	4732C4561	hose adapter	
	3	4715-4501	1 1/4" hose clamp	
.35	4	4731H1081	water fill hose 24" pc.	
	5	4060050003F	1/2" h.p. hose (sold/foot)	
	6	4714-038	3/8" h.p. hose (sold/foot)	
	7	4731-3058	adjustable hose clamp	
	8	4060050011P	blue plastic tubing (10' pc. Pkg.)	
.25	9	4741B2381	barbed tee	
	10	4741-2758	ring clamp	
.20	11	4741C2361	line drain	

Portable Water Tank 3475 Taos				
Flat Rate	Code	Part #	Description	
.10	1	4735-2131	water tank 5 gal. (complete)	
		4735C0988	water tank decal	
	2	4714-0231	large cap	
	3	4714-0221	small cap & strap	
	4	4714-0241	barb stem & collar	
	5	4714A0671	suction stem	






Pex risers "straight"
 4757-3691 24" - 3461
 4757-3671 48" - 3492,76,75
 4757-3681 70" - 3460,61

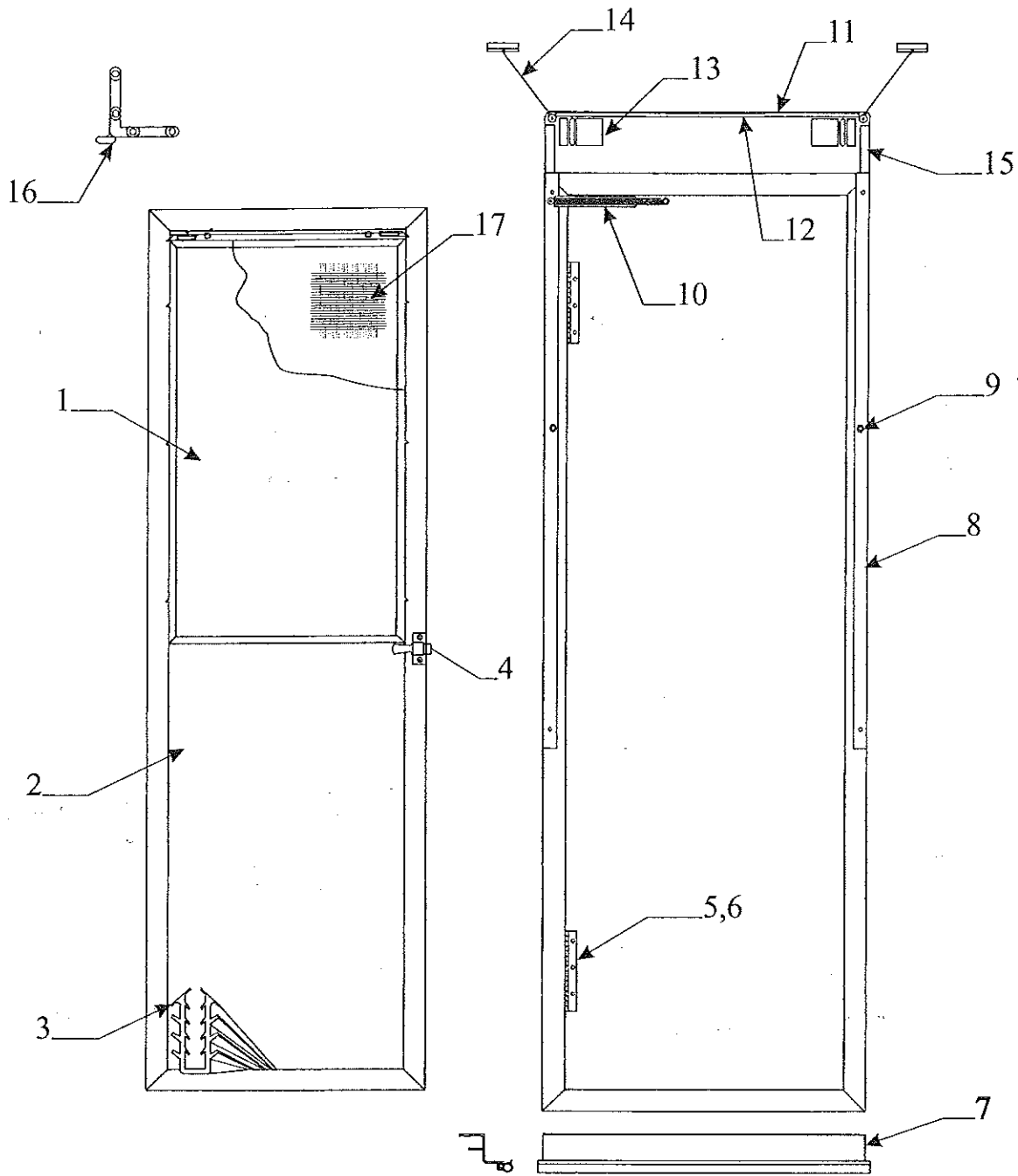

Pex risers "w/90° elbow"
 4757-3811 48" - 3492
 4757-3831 52" - 3492
 4757-3661 59" - 3460,75,76

A 4060000051 1/2" I.D. transparent tubing (sold/foot)
 B 4060050006P 3/8" I.D. Pex tubing "cold" (20' pc. Pkg.)
 C 4060050007P 3/8" I.D. Pex tubing "hot" (20' pc. Pkg.)

4714-038 3/8" I.D. High pressure hose (sold/foot)

Flat Rate	Water System & Related Parts	Flat Rate	Water System & Related Parts
Code	Part #	Code	Part #
1.50	1	4753B4111	water tank 3460,61
1.50		4757-0471	water tank 3492
.25	2	4741C2371	elbow "plastic"
	3	4731-3058	adjustable hose clamp 3/8"
	4	1201-865	tube clamp
.20	5	4755A6581	tank hanger 3460,61
.20		4758-5381	tank hanger x2 3492
.15	6	1218-7001	plug
.25	7	4741C2391	brass elbow "Pex" m10
.20	8	4741D2361	brass line drain "Pex"
.25	9	4741A2751	stainless steel clamp m100
.25	10	4741C2381	brass tee "Pex" m10
.25	11	4741B9061	copper swivel elbow
.50	12	4741B2071	shower diverter
*	13	4750-3421	water heater (all)
.20	14	4757-1671	hex nipple "plastic"
.50	15	4741C5571	electric water pump
.25	16	4747A8311	water filter
.20	17	4741A9561	female adapter "copper"
.30	18	4732F1521	city fill
.20	19	4757-3631	brass adapter 3/8" barb "Pex"
.30	20	4731D1711	fill spout
	21	4715-4501	adjustable hose clamp
.35	22	4731H1081	water fill hose (3' pc.)
.20	23	4060050003F	1/2" h.p. hose (sold/ft.)
.15	24	4732B4561	hose adapter
.50	25	4742A8631	tank gasket
	26	4755-4821	brass barbed union m10

* Warranted By Vendor



.30 Flat Rate Screen Door Complete

Note: parts marked w/* asterisk are not included w/screen door

Flat Rate	Code	Part #	Description	Flat Rate	Code	Part #	Description
		4757B5191	Screen Door Assy. 3470,75,76,60,61,92	.05	9	4730A3548	stud w/screw x2
.10	1	4716E3401	top sliding window pane	.20	10	4731A8201	spring package
.40	2	4754B1541	stationary window pane	.30	11	4749C8451	top bracket
.15	3	4060000086F	rubber seal (sold/foot) Note: around perimeter of window pane	.10	12	4060037505F	grey foam tape (sold/foot)
.15	4	*4742-9671	door latch assembly	.10	13	4350000209F	2" velcro loop (sold/yard)
.15	5	4720C3601	hinge x2	.10		4350000012F	3/4" velcro loop (sold/yard)
	6	1203-8641	rivet m25	.15	14	4734D5211	cable assy. m6
.25	7	*4747A5621	screen door support	.10	15	4350000119F	velcro loop "blk" (sold/yard)
		*4060000399F	rubber seal (sold/foot)	.50	16	4710-3791	corner brace hinge m2
				.75	17	4716-1381	screened stationary pane
						4716-1111	screening 36" x 18 1/2"

Dinette Area Cushion/Backrest Assemblies & Covers 3475,70,76,60,61,92 Flat Rate .10 Assembly - .25 Cover

Model	Cushion Assembly	Cushion Cover	Model	Backrest Assembly	Backrest Cover
3475 Taos	4749K6581	4716K6581	3475 Taos	4749K6571	4716K6571
3476 Sedona	4759-5221	4714-5221	3476 Sedona	4759-5231	4714-5231
3460 Fairview	4758-6891	4716-6891	3460 Fairview	4758-6911	4716-6911
3470,61,92	4756C5571	4714C5571	3461,3492	4758-6721	4716-6721
			3470 Redwood	4756C5561	4714C5561

Cushion Button x2 - 4710-2681 m5

Front Couch Cushion/Backrest Assemblies & Covers 3460 Fairview Flat Rate .10 Assembly - .25 Cover

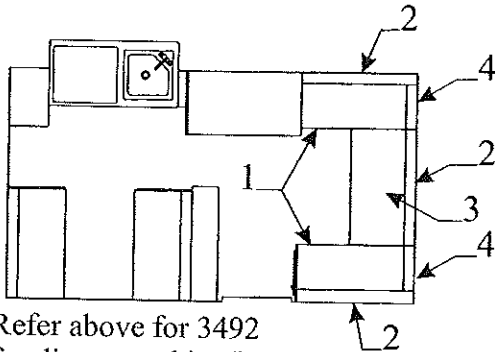
Model	Cushion Assembly	Cushion Cover	Model	Backrest Assembly	Backrest Cover
3460 Fairview	4758-6901	4716-6901	3460 Fairview	4758-6921	4716-6921

Front Couch Cushion/Backrest Dimensions

Model	Cushion Assembly	Backrest Assembly
3460 Fairview	56 1/2" x 20 1/4" x 4"	55" x 13 1/2" x 3 1/2"

Cushion/Backrest Dimensions

Model	Cushion Assembly	Backrest Assembly
3475 Taos	40 5/8" x 19 1/2" x 4"	40 5/8" x 17" x 4"
3476,3460	43 1/4" x 19 3/8" x 4"	42 1/4" x 15 1/2" x 4"
3461,70,92	39 1/2" x 18" x 4"	38 1/2" x 15" x 4"
3470 Redwood		38 1/2" x 15 5/8" x 4"



Refer above for 3492 for dinette cushion/backrest

Flat Rate	Cushion & Backrest Assy.'s 3492 Tacoma
	Code Part # Description
.10	1 4753E6021 cushion assy. 41" x 19 5/8" x 4"
.25	4716E6021 cushion cover
.10	2 4753D6071 backrest assy. 41 3/8" x 13 3/8" x 4"
.25	4716D6071 backrest cover
.10	3 4759-5771 cushion assy. 41 3/8" x 23" x 4"
.25	4716-5771 cushion cover
.10	4 4756C5401 backrest assy. 14" x 13 3/8" x 4"
.25	4716C5401 backrest cover

Drape Package (Less Valance Pkg.) 3475,70,76,60,61,92

Model	Drape Pkg.	# Of Panels	Flat Rate
3475 Taos	4724L8361	4	.30
3470 Redwood	4755B2961	4	.30
3476 Sedona	4759-5211	5	.30
3460 Fairview	4759-5291	6	.30
3461 Timberlake	4757-3021	5	.30
3492 Tacoma	4759-5711	7	.30

Single Drape Panel W/Safety Straps

.15	4716A8731	Single Drape Panel 48" x 48 1/2" - 3475 Taos
.15	4716A8741	Single Drape Panel 35" x 48 1/2" - 3475 Taos
.15	4716A8711	Single Drape Panel 43" x 45" - 3476,92
.15	4716B8721	Single Drape Panel 35" x 45" - 3470,76
.15	4716A8751	Single Drape Panel 53" x 45" - 3470,60,61,92
.15	4716B9151	Single Drape Panel 22" x 45" - 3460,92
.15	4716C9151	Single Drape Panel 15" x 45" - 3492

Drape Tab C-Shape m60 - 4750-2891 Flat Rate - .05

Drape Tie Package (Qty. 1) - 4753D9791 (all) Flat Rate - .05

Privacy Curtain Pks. (Set of 2 Panel)

.15	4723G7901 - 3470,76,60,61,92
.15	4723L7881 - 3475

Valance Package - 4755B2751 - 3475 Taos

Flat Rate - .25	4757-3351 - 3476
	4755B2761 - 3470
	4757-3011 - 3460,3461,3492

Shower curtain "white vinyl" - 4749A6661 - 3461

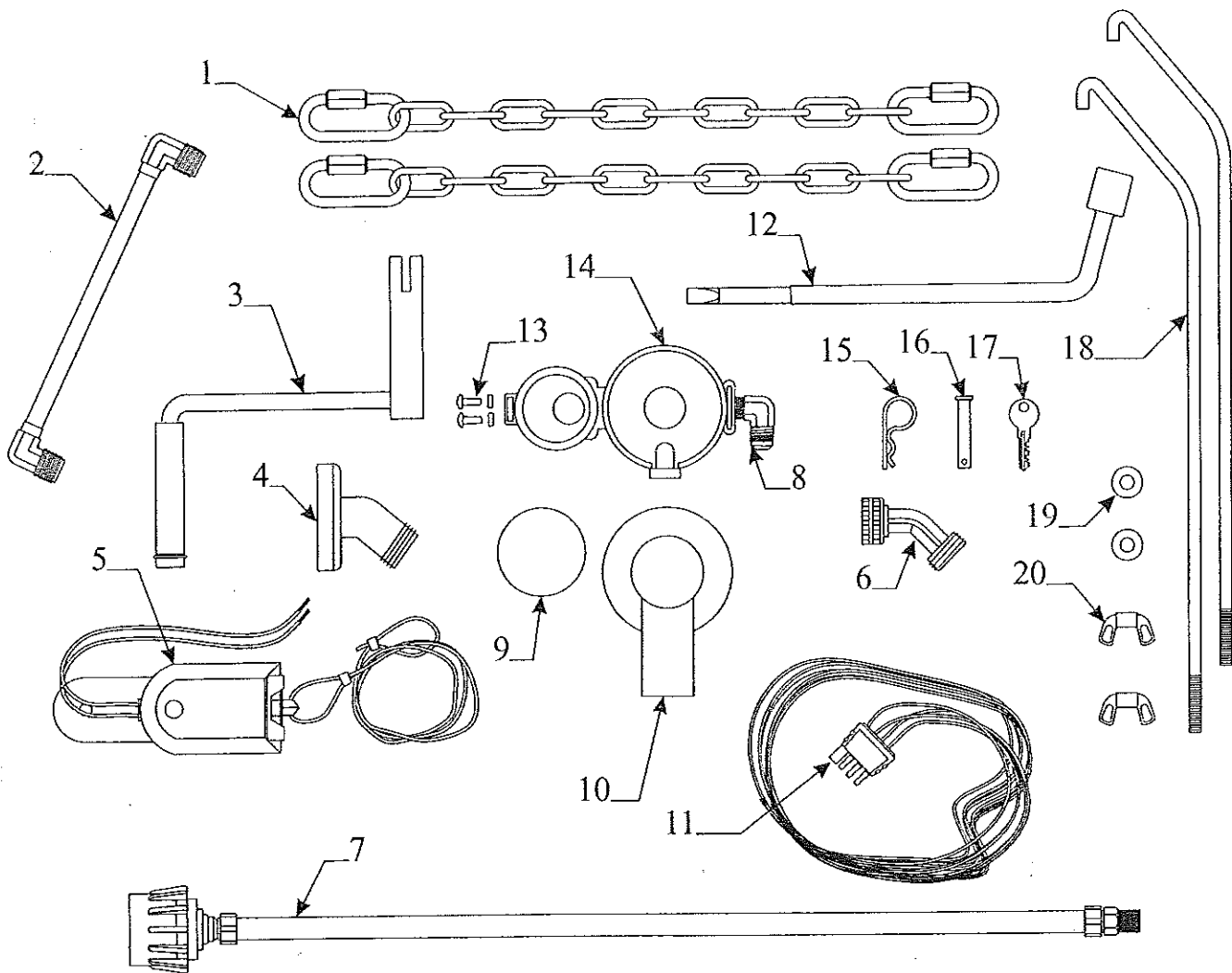
Flat Rate - .20

Shower curtain outer "drape matl." - 4759-5461 - 3461

Flat Rate - .20

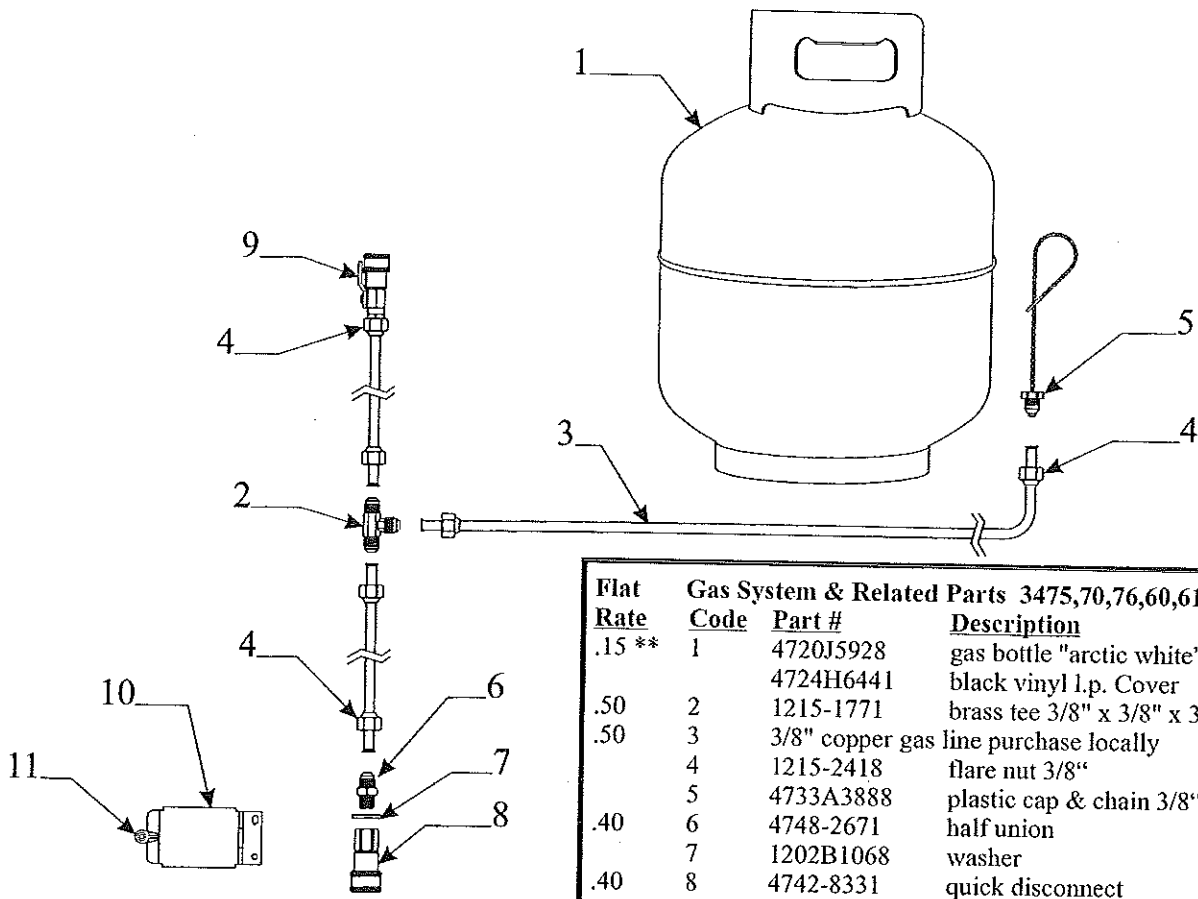
Dressing room curtain - 4758-6991 - 3461 Timberlake

Flat rate - .20



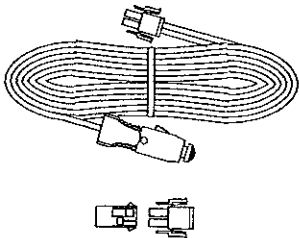
4747G5871 Parts Package 3475 Taos
 4754B85281 Parts Package 3470,76,92
 4758-6551 Parts Package 3460 Fairview,3461 Timberlake

Flat Rate	Parts Package Code	Component Part #	Description	Code	Part #	Description
	1	4757-3901	29" tow chain w/quick links m2	12	4749A1861	lug nut wrench
		4757-3891	quick link (1 per pkg.)	13	1143B10081	mounting screw m2
	2	4746-5381	winterizing adapter		0322A3301	brass spacer m2
	3	4747F4141	crank handle	14	4755-0401	regulator "low pressure"
	4	4737-9138	drain adapter	15	4732A4791	safety pin m10
	5	4746-0401	breakaway switch	16	4771-2631	hitch pin m5
	6	4744-2651	gooseneck	17	4730B3211	key m10 # 8025 (gold plated)
.45	7	4733R3991	gas hose w/acme nut	18	4733F6281	gas bottle mounting brkt. Pkg.
	8	4753-8981	3/8" x 3/8" elbow (non hot water)		Note: pkg. includes (2) brkt.'s ,wing nuts,washers	
		4755-0421	1/2" x 3/8" elbow (hot water)	19	1202B0468	washer x2 m10
	9	4751-9571	round regulator cover	20	1201-6258	wing nut x2
	10	4734C3781	regulator cover			
.45	11	4735D6691	pigtail 4 prong 3475			

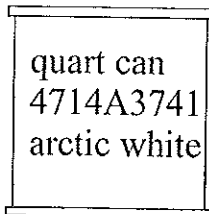


Flat Rate	Code	Part #	Description
.15 **	1	4720J5928	gas bottle "arctic white"
		4724H6441	black vinyl l.p. Cover
.50	2	1215-1771	brass tee 3/8" x 3/8" x 3/8"
.50	3	3/8" copper gas line	purchase locally
	4	1215-2418	flare nut 3/8"
	5	4733A3888	plastic cap & chain 3/8"
.40	6	4748-2671	half union
	7	1202B1068	washer
.40	8	4742-8331	quick disconnect
.40	9	4749A9971	quick disconnect w/shut-off valve
.20	10	4752-5831	quick disconnect cover & hinge
	11	4716-9411	strike, washer & screw pkg.

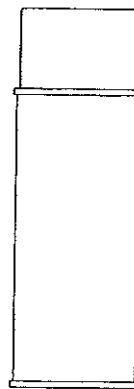
4733D6701 auto extension



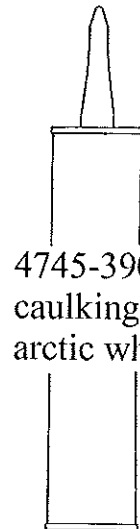
4716A4701 12 volt cap & plug m2



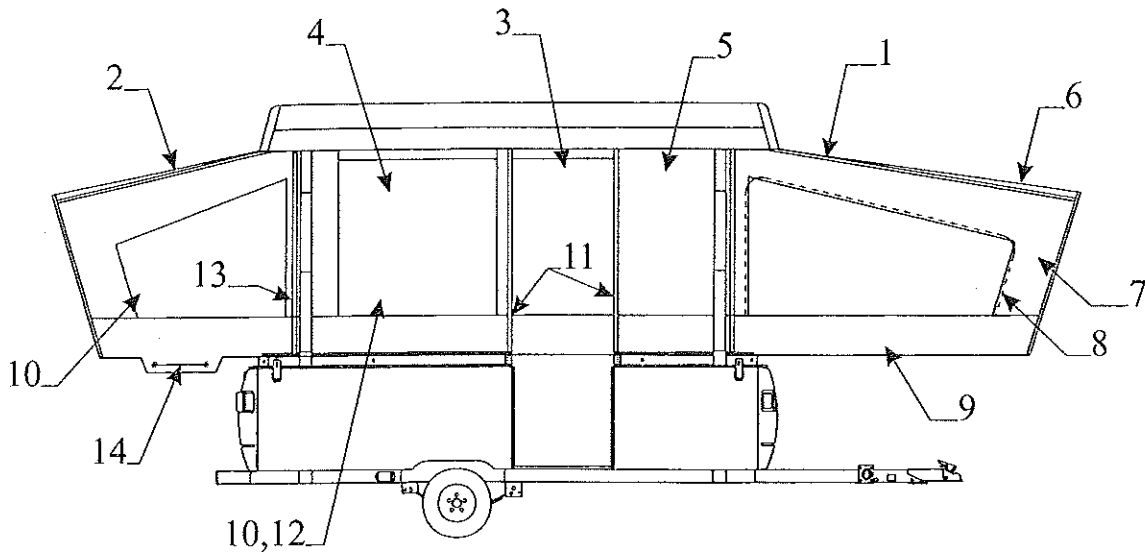
quart can
4714A3741
arctic white



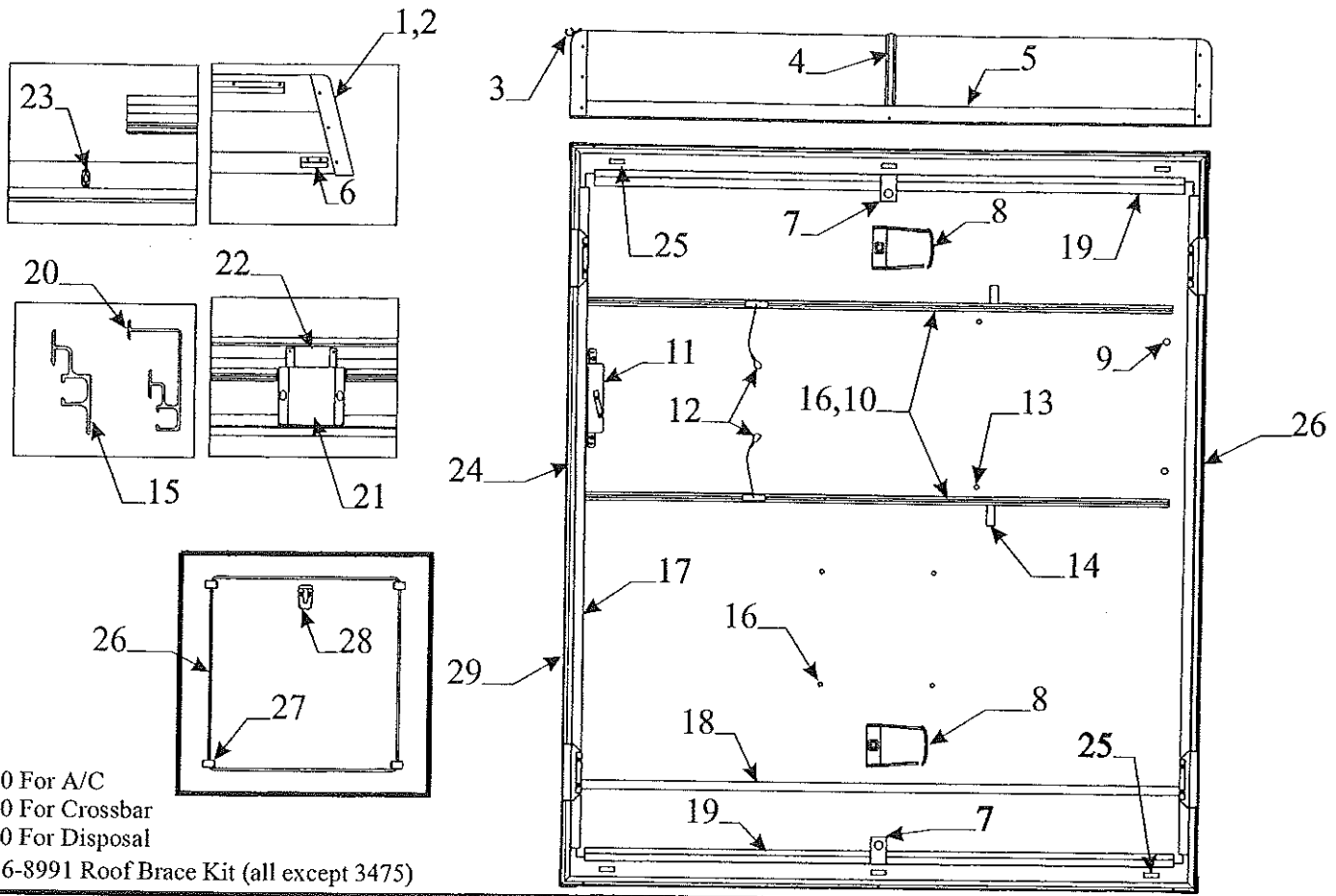
16 oz. spray
0008-2561 arctic white
0008B2471 black
0008-2611 oak



4745-3908
caulking
arctic white



Flat Rate	Sunbrella Tenting & Components	3475,70,76,60,61,92	
Rate	Code	Part #	Description
.40	1	4753C5861	front boot 3470,76,60,61,92
.40		4747E65391	front boot 3475
.40	2	4753C5871	rear boot 3470,76
.40		4753C5861	rear boot 3460,61,92
.40		4747E65391	rear boot 3475
.20	3	4759-5241	large window 3476
.20		4756A58691	large window 3470
.40		4758-6851	large window "glide-out" 3460
.20		4758-6751	large window 3461
.20		4747F65091	large window 3475
.40		4759-5721	large window "w/tip-out" 3492
.20	4	4759-5251	small window 3476
.20		4756A5871	small window 3470
.20		4758-6771	small window 3460,61,92
.20		4747F65291	small window 3475
.15	5	4759-5261	door seal 3476
.15		4756B5881	door seal 3470
.15		4758-6861	door seal 3460,61,92
.15		4748D66391	door seal 3475
	6	8119901429	top vinyl (sold/yard)
	7	4716C0851	sunbrella patch package (12" x 14")
	8	6650500130F	zipper (sold/yard) used around window
		1225-4461	zipper pull m5
	9	8118801450P	bottom vinyl facing pkg. (3 yd. x 80")
	10	4714E1611	screen package (84" x 3 yards)
		4714A0361	screen package (84" x 13 yards)
	11	4350000009P	1" velcro hook (10' pc. Pkg.)
	12	4716-2401	clear window vinyl (41" x 2 yards)
	13	1225G3768	45 1/2" side zipper pin half 3470,76,60,61,92
		1225G3758	45 1/2" side zipper slider half 3470,76,60,61,92
		1225-3658	52" side zipper pin half 3475 Taos
		1225-3668	52" side zipper slider half 3475 Taos
.50	14	4060000045F	shock cord (sold/foot)
.50		4714C6021	shock cord & hooks m2 (two 14' lengths)
.15		4724A2011	shock cord termination (plastic hook) m10
	15	4060000024F	arrowhead seal (sold/foot)
.30	16	4735D6721	extension harness 3470,76,60,61,92
.30		4757-6101	extension harness 3475 Taos
.50	17	4743-1588	k-kote seam sealer
	18	4728-5641	tent retainer pkg.
	19	4710-1001	vinyl daubing "white" m2
		4710-1011	vinyl daubing "grey" m2
		4710-1021	vinyl daubing "green" m2



1.50 For A/C
 1.00 For Crossbar
 1.00 For Disposal

4716-8991 Roof Brace Kit (all except 3475)

Code	Part #	Description	Rate	Code	Part #	Description
		4716U9701 Top Assembly 3475 Taos F.R. - 4.50				
		4716U5101 Top Assembly 3470 Redwood F.R. - 3.00				
		1759-5121 Top Assembly 3476 Sedona F.R. - 3.00				
		1758-6781 Top Assembly 3460 Fairview F.R. - 3.00				
		4757C6401 Top Assembly 3461 Timberlake F.R. - 3.00				
		4759-5601 Top Assembly 3492 Tacoma F.R. - 3.00				
Flat						
.50	1	4716U1981 top corner pkg. (pkg. of 4)		12	4734D5211	screen door cable m6 (all)
		4350000058F saturated foam tape (sold/foot)		13	4730A3548	stud w/screw x2
.50	2	4745-3968 screw "painted"		14	4723A5061	strap x2
.50	3	4757-3561 canopy track (must cut to size)	.20	15	4756-0631	tent track (ft./rr.) (all except 3475)
1.00	4	4752-02791 center seam (must cut to size)			4747A1271	tent track (ft./rr.) 3475
		4060400096F vinyl screw cover (sold/foot)			1103E1018	screw stainless steel
		4741-3508 hex head screw		16	1203-9258	plastic accordion rivet m25
.50	5	4350000058F saturated foam tape (sold/foot)	.30	17	4754A9831	side cove x2 (must cut to size)
		4756-0681 frt./rr. seal extru.(all except 3475)			4747-2558	expansion rivet m25
.15	6	4741E21381 frt./rr. seal extrusion 3475	.20	18	4350400004F	vinyl tape (sold/foot)
		4750A9581 top strike m2 (all)		19	4756A0671	cove (front/rear) (all except 3475)
		4744C2461 torx head screw "painted" m2			4741G21481	cove (front/rear) 3475
.15	7	1201B6958 nut (x2 per strike)	.25	20	4747-2558	expansion rivet m25
.15		4741F11381 tent support brkt.			4754A985	tent & val. track (must cut to size)
.15		4741C9368 screw "painted" x2		21	1103E1018	screw stainless steel
.15	8	4737J5911 single dome light	.15	22	4747D5521	lift pocket cover x4 (all)
		4714J0891 dome light lens			4741D3558	hole plug x2
		1103B1028 screw x4	.50	23	4350000005F	velcro loop (sold/yard)
.30	9	4737-3211 rubber button m8		24	4741B5431	lift pocket x4
		4733H47181 screen door track x2	.15	25	1201B6378	lock nut (x2 per pocket)
.20	10	4744B4611 expansion rivet m25	.20	26	4750-2978	latch x2
		4749C5571 screen door bracket	.75	27	1203-8951	rivet m25
		4747-2558 expansion rivet m25	.75	28	4060100399P	rubber top seal (40' package)
		4749-2138 snap button m2	.75	29	4724F2631	velcro hook m6
		1203-8631 rivet m25	.75		4755A5231	shower curtain rod 3461
					4755-5221	shower rod strap x4 3461
					4750-1761	shower head brkt. 3461
					4747C1291	side seal extrusion 3475
					4756A0701	side seal extrusion 3470
					4757A3171	side seal extrusion 3476
					4754C9801	side seal extrusion 3460,61,92

C

C

C