

FULLWOOD

folding trailers

repair parts

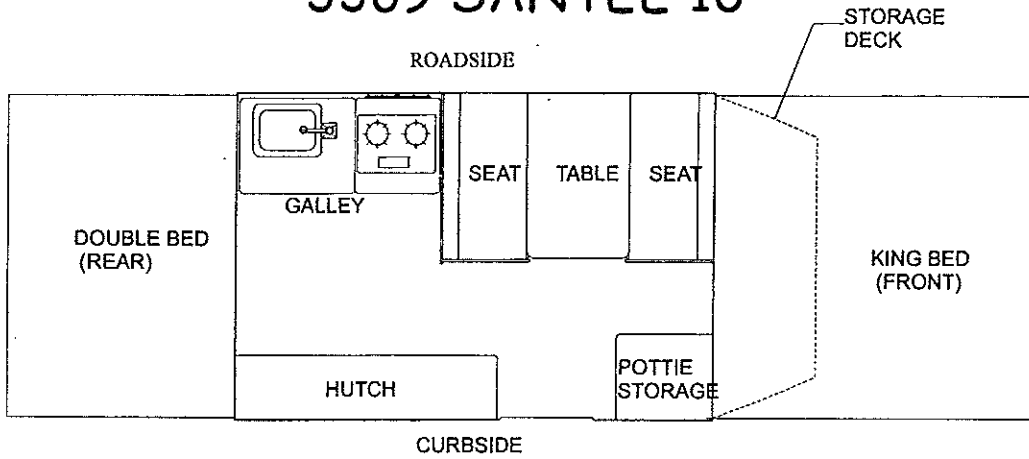
1999 DESTINY SERIES

8369 SANTEE

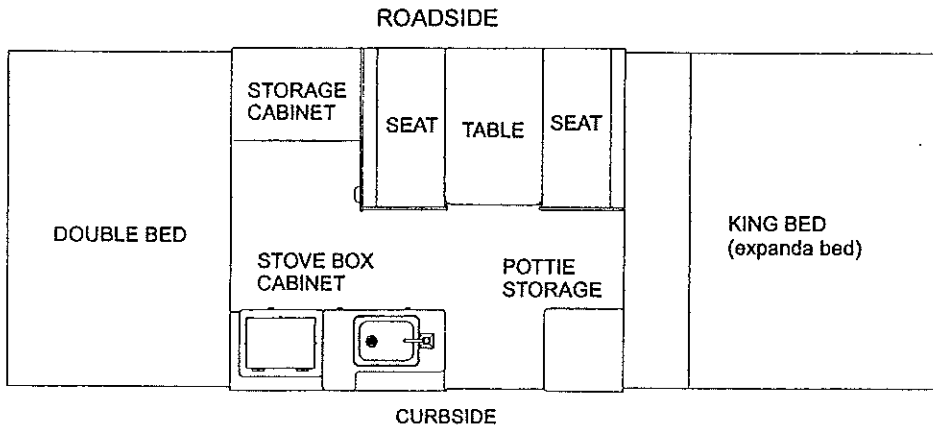
8370 REDWOOD

8375 TAOS

3369 SANTEE 10'



3370 REDWOOD 8 1/2'



3375 TAOS 8'

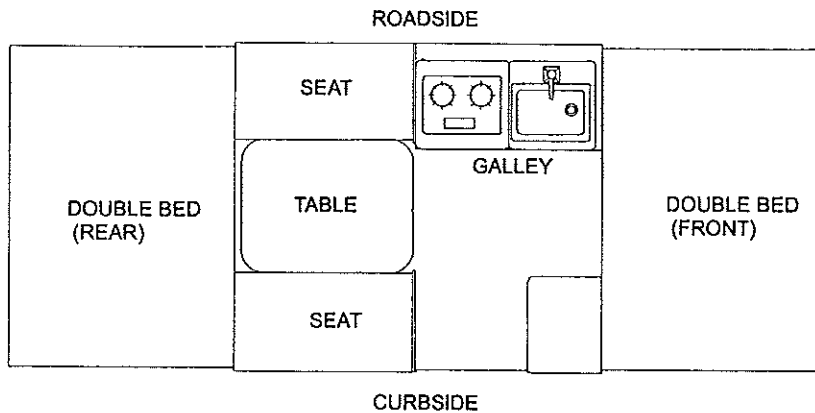


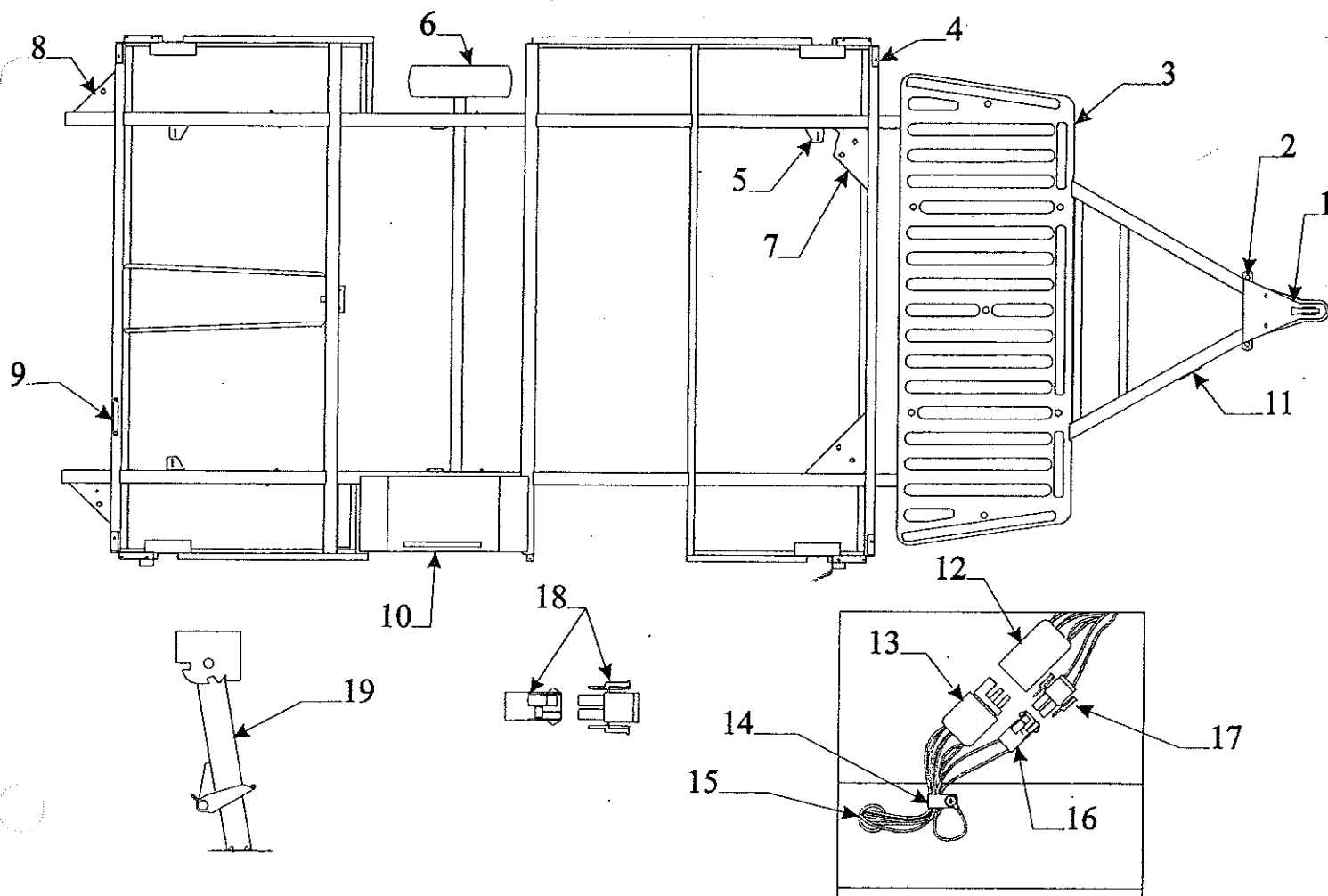
TABLE OF CONTENTS

<u>DESCRIPTION</u>	<u>PAGE</u>
Access door key	22
Access door assembly & related parts	9
Auto extension	23
Axle assemblies & related parts	5
Backrest assemblies & covers	24
Bed assemblies	18,19
Bed extensions & related parts	18
Body panel right rear (curbside)	8
Body panel left side (roadside)	9
Body panel front & rear (ABS plastic)	7
Body panel right front (curbside)	8
Bumper & related parts	7
Cabinet assembly (csf corner).....	15
Caulking	23
Converter & related parts	17
Cooler 32 quart white 4757-1251 (3375)	1
Cooler (built-in)	12,13,15
Corner bulkhead assembly	2
Coupler assembly	2
Crank-up/crank -down components	4
Crank handle	22
Cushion assemblies & covers	24
Door bulkheads	8
Drain hose (used on sinks)	10
Deck assembly & related parts (3369 Santee) ...	2
Drape packages	24
Drawer assembly components	17
Electric brakes & related parts	6
Fire extinguisher & components	16
Floor covering	2
Frame assembly & related parts	2
Galley rest (plastic)	12
Gas detector	16
Gas hose (gas bottle hook-up)	22
Gas bottle mounting brackets	22
Gas quick disconnect (outside stove)	23
Gas bottle & related parts	23
Grease cap (dust cap)	5
Hub assembly & related parts	5
Hutch assembly "curbside" (3369 Santee)	16
Hutch assembly "roadside" (3370 Redwood)	15
Lift assemblies & related parts	3
Lift trim & miter covers	8,9
Lower galley components (3369 Santee)	12
Lower galley components (3370 Redwood)	14
Lower galley components (3375 Taos)	13
Mattress assemblies & covers	18
Paint (spray & quart can)	23

<u>DESCRIPTION</u>	<u>PAGE</u>
Paneling & trim	17
Parts package & components	22
Pigtail (car end)	22
Power cord (converter)	17
Quick disconnect cover	23
Quick disconnect (gas)	23
Receptacle (exterior)	8
Receptacle (interior)	17
Refrigerator vents	9
Regulator & fittings	22
Safety chains	22
Screen door & related parts	21
Seat component parts	16
Sink & related parts	10
Spare tire mount package	22
Stabilizer assembly	2
Stabilizer handle	22
Step	15
Stove components (lift-out stove)	11
Table assemblies & related parts	11
Taillights (rear body panel)	7
Tent support assemblies & related parts	19
Tenting & related parts (sunbrella)	24
Thermostat (Hydro Flame)	16
Thrust nut & bearing	4
Tie backs (curtains)	24
Tire & rim	2
Tongue jack & related parts	4
Top assemblies & related parts	25
Trim tape kits	8,9
Upper galley assembly (3369 Santee)	12
Upper galley assembly (3370 Redwood)	14
Upper galley assembly (3375 Taos)	13
Valance package	24
Water system & related parts	20
Water pump & related parts	10
Wheel well	2

Axle/Brakes - Dexter	219/295-1900
Converter - Magnetek	800/521-3032
Furnace - Hydro Flame #7916-11 ..	800/825-4328 U.S.
	800/831-7531 CAN.
Hand pump - Shurflo	800/762-8094
Stove - Atwood Greenbrier	800/646-8557
Refrigerator - Norcold #323	800/543-1219
Tires - Duro	800/966-8473
Water heater - #5031E	423/775-2131

1999 DESTINY series REPAIR PARTS

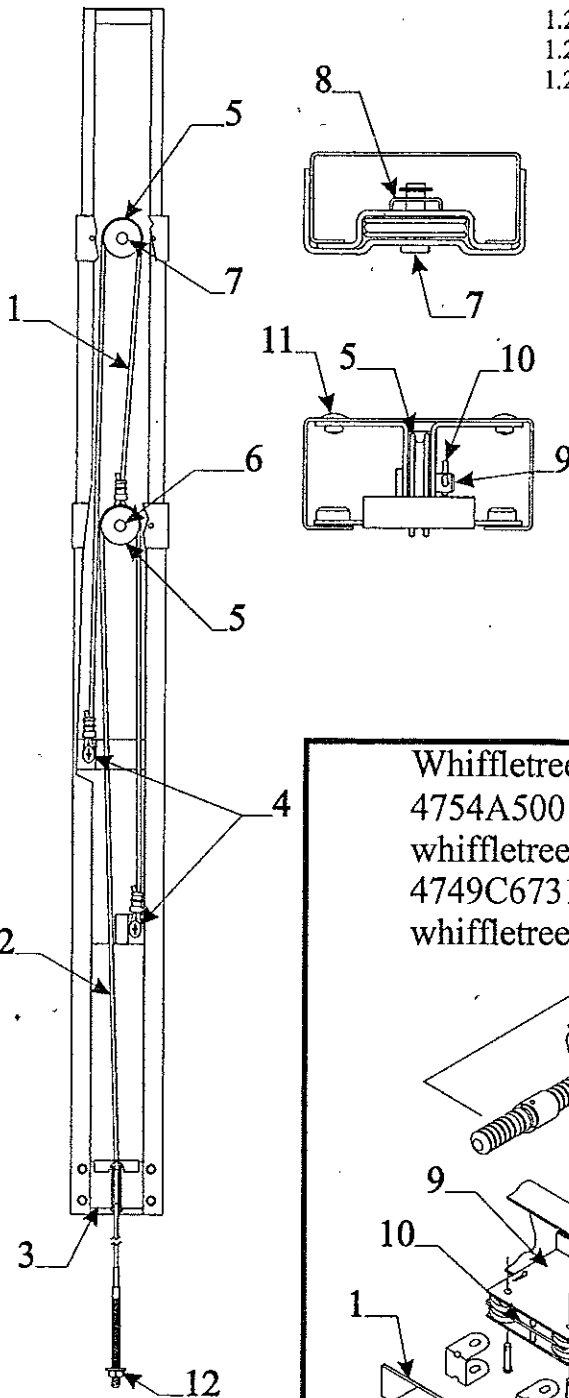


Flat Rate	Code	Part #	Description	Flat Rate	Code	Part #	Description
1.00	1	4742-2001	coupler assembly		7	4749-5861	stabilizer gusset (front) all
.25		4714A2211	coupler repair kit		8	4752-6001	stabilizer gusset (rear) all
.75	2	4748-6611	chain bar w/pins	1.00	9	4754C5101	spare tire support (rear) 3369,70
.10		4747-8941	pin cover m2 (plastic)			4747-5101	spare tire mount (front) 3375
.50	3	4754-9461	deck (black plastic) 3369	2.00	10	4754B0531	wheel well assembly x2 3369,70
.85		4754-9741	deck platform (wood)	2.00		4747A4161	wheel well assembly x2 3375
		4754-9751	tie down ring & clip x7	.75	11	4720B3331	jack bracket (welded to tongue)
		1200B1048	tie down bolt x7		12	4735F6741	pigtail - 6 prong (car end) 3369,70
		4739-2298	lock nut x7			4735D6691	pigtail - 4 prong (car end) 3375
		4754-9961	tie down gasket x7		13	4754D6061	trailer harness - 6 prong 3369,70
2.00	4	4757-5041	corner bulkhead lt.frt./rt.rr. 3369,70			4747A5611	trailer wire harness - 4 prong 3375
2.00		4757-5031	corner bulkhead rt. frt./lt. rr. 3369,70		14	1201-8738	3/8" clamp
2.00		4747A5511	corner bulkhead csr/rsf 3375			1203-8968	aluminum rivet m25
2.00		4747A5501	corner bulkhead rsr/csf 3375		15	4742-8108	1 1/4" snap bushing
1.50	5	1203C8751	rivet m25 (rivet bulkhead to frame)	.15	16	4716A5001	12 volt power harness
.25		4732D3671	adjustable pulley brkt. x4		17	4749B5531	12 volt wire harness m2 (battery)
		4715A5371	pulley & bearing m10		18	4716A4701	12 volt cap & plug m2
		4720C1578	short pin m4	.25	19	4720D0731	stabilizer assembly (all)
		1204B1081	cotter pin m10				Note: stabilizer used x3 on 3375 x4 on 3369,70
	6	4753-8168	tire & rim 13" lr "C" 3369,70	*		4739-2298	nut (x2 per stabilizer)
		4754-1558	tire & rim 12" lr "C" 3375		20	6610707225P	floor covering pkg. (7 1/2' x 14')

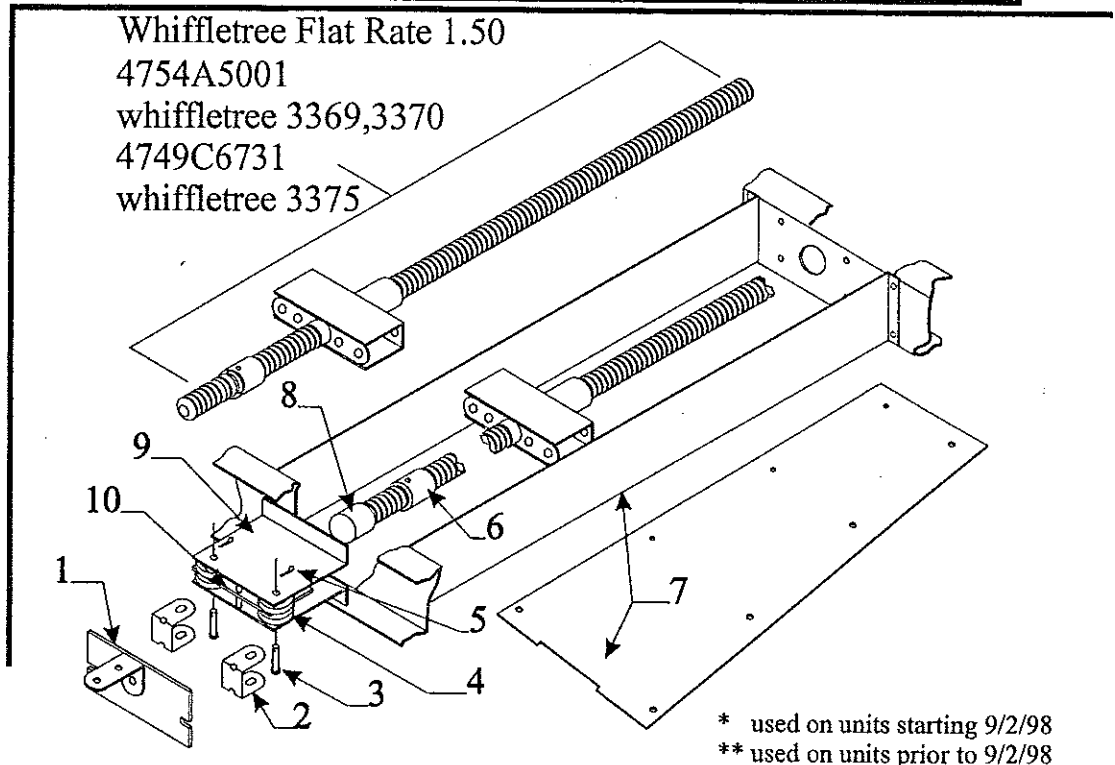
* Prior Authorization Needed From Factory

1999 DESTINY series REPAIR PARTS

- 1.25 4716-0031 lift assembly roadside rear/curbside front 3369,3370
- 1.25 4716-0041 lift assembly roadside front/curbside rear 3369,3370
- 1.25 4716-0051 lift assembly roadside rear/curbside front 3375 Taos
- 1.25 4716-0061 lift assembly roadside front/curbside rear 3375 Taos



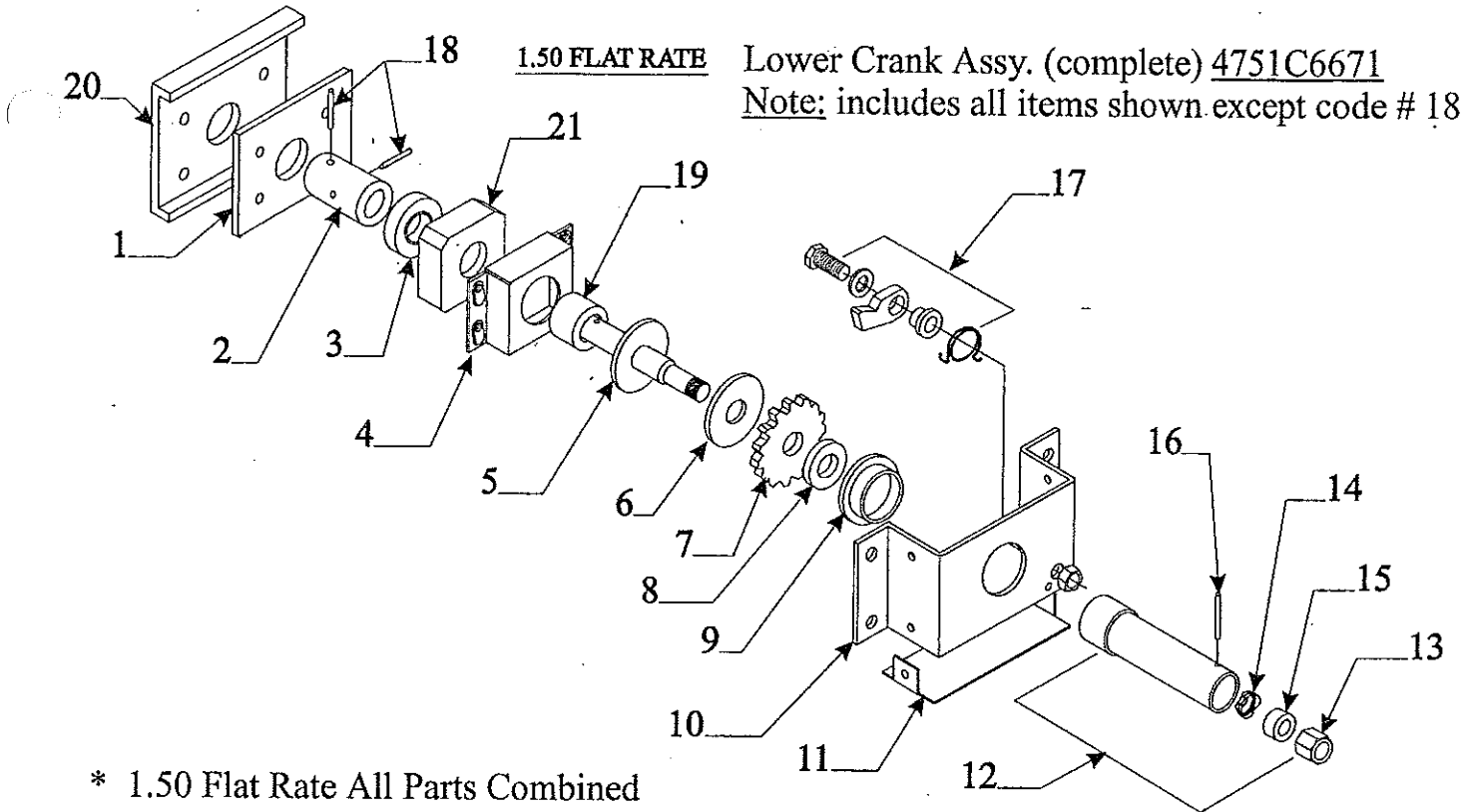
Flat Rate	Lift Assembly Code	Component Part #	Description
.75	1	4720D5271	cable assembly x1 m2 3369,70
.75		4720C5271	cable assembly x2 m2 3375
		4720C1691	cable crimp m20
1.25	2	4754A6121	184" long cable & crimp
		4744-1318	copper cable crimp m10
1.25	3	4731C5801	butterfly bracket assy.
.05	4	4749-2081	screw m6
.50	5	4715A5371	steel pulley & bearing m10
.25	6	4747-8931	long pin x2
		4730B0981	retaining ring m12
.25	7	4749-4061	short pin m4
		4730B0981	retaining ring m12
.25	8	4749A2028	retaining clip
.45	9	4720C1578	lift pin m4
	10	1204B1081	cotter pin m10
	11	1203-8641	rivet m25
	12	1201B6378	1/4" lock nut
		1202E0408	washer



* used on units starting 9/2/98
 ** used on units prior to 9/2/98

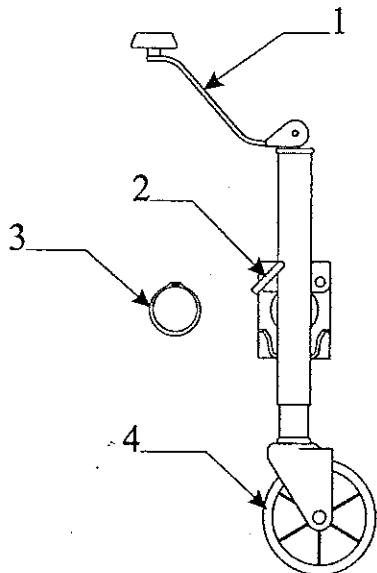
Flat Rate	Whiffletree & Related Parts Code	Part #	Description	Flat Rate	Code	Part #	Description
.15	1	4749A821	mud flap & brkt.	.25	7	4752B4921	whiffletree pan cover 3369,70
.50	2	4744B1741	cable retainer x2	.15		* 4757-1121	whiffletree pan cover 3375
.20	3	4720J1561	long pin m4	.25		** 4720E2371	guide channel 3375
.50	4	4715A5371	pulley & bearing m10			4738A0898	hex bolt x4
.10	5	1204B1081	cotter pin m10			1201B6038	hex nut x4
1.60	6	4710B4248	bushing	2.00	8	4730D1291	screw socket (welded)
		4720D1481	roll pin m10	2.00	9	4720-1551	pulley plate
				.50	10	4715D5661	pulley spacer

1999 DESTINY series REPAIR PARTS



* 1.50 Flat Rate All Parts Combined

Flat Rate	Crank Up/Crank Down Code	Component Part #	Description	Flat Rate	Code	Part #	Description
	1	4756-8321	bearing housing plate	*	11	4751-3721	housing cover plate
1.50	2	4756-8301	coupler bushing			1203-8641	rivet m25
1.50	3	4720C2421	thrust bearing	.75	12	4716A1741	drive hub extension pkg.
*	4	4750A9251	bearing housing				Note: pkg. Includes parts marked w/* asterisk
		4738A0898	hex bolt x4		13	*4751-3551	5/8" nut
*	5	4751-3701	driveshaft	.50	14	*4752-3921	handle spring x1 m2
*	6	4751-3561	pressure plate	.50	15	*4751-4671	nylon washer x1
*	7	4751-4831	ratchet wheel	.10	16	*4747A9451	spiral roll pin x1 m6
*	8	4751-3581	pressure washer	.60	17	4716-1221	ratchet pawl pkg.
*	9	4751-3591	shaft bushing	1.00	18	4744A1301	shear pin x1 m10
*	10	4751A3691	crank housing	1.50	19	4756A8311	spacer bushing
		4731-3878	hex head bolt x4		20	4750A9261	plate "painted"
		1201B6038	lock nut x4	1.50	21	4756-8441	bearing house square spacer



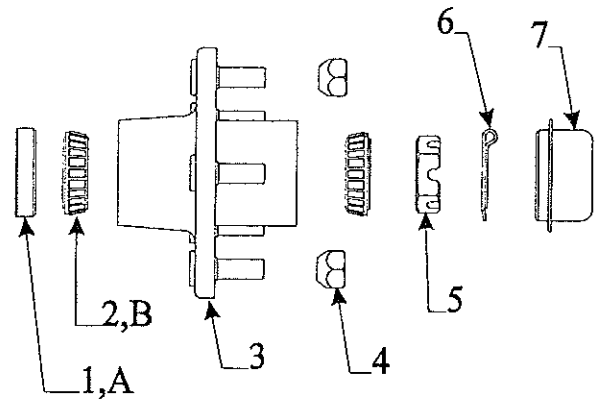
Flat Rate .10 Jack Removal

Tongue Jack Assembly (4720C6661) "Norco"

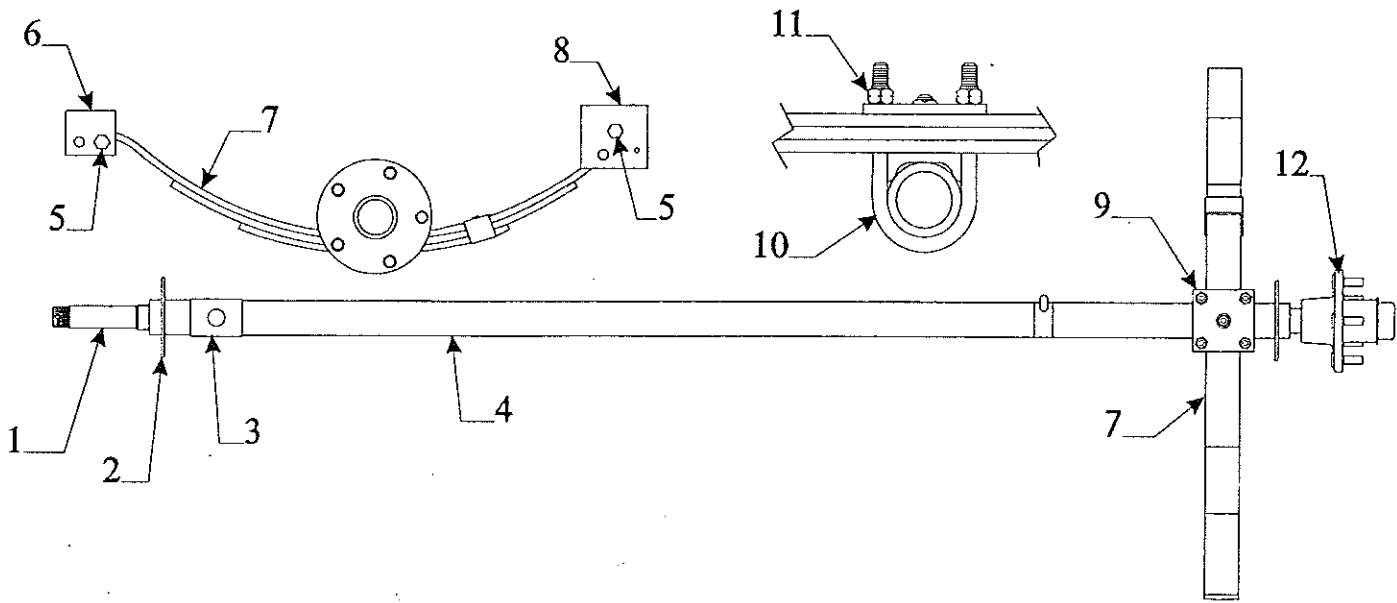
Flat Rate	Code	Part #	Description
.15	1	4716-1951	jack handle kit
.15	2	4716-1981	locking plunger kit
.10	3	4720A3341	snap ring
.25	4	4716-1971	jack wheel nut & bolt

1999 DESTINY series REPAIR PARTS

Flat Rate	Code	Part #	Description
.50	1	4714A2201	grease seal x1 m4 (all)
.50	2	4716-1101	bearing, race & seal pkg. (all)
.30	3	4738D0451	hub & lug nuts (all)
.05	4	4747A9528	lug nuts x5 (all)
.10	5	4714-3068	slotted spindle nut x1 (all)
.10	6	1204-1268	cotter pin x1 (all)
.05	7	4714B0621	dust cap m4 (all)



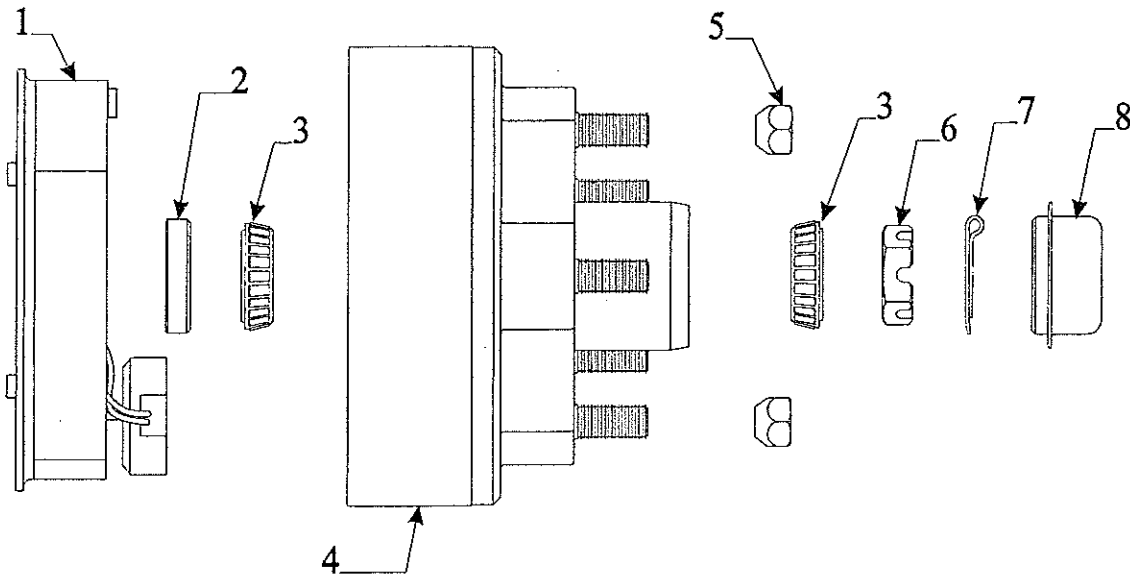
Crossover Numbers To Purchase Locally
A 13194TM or 198138SP21 Grease Seal
B L44649 Bearing
C L44610 Race



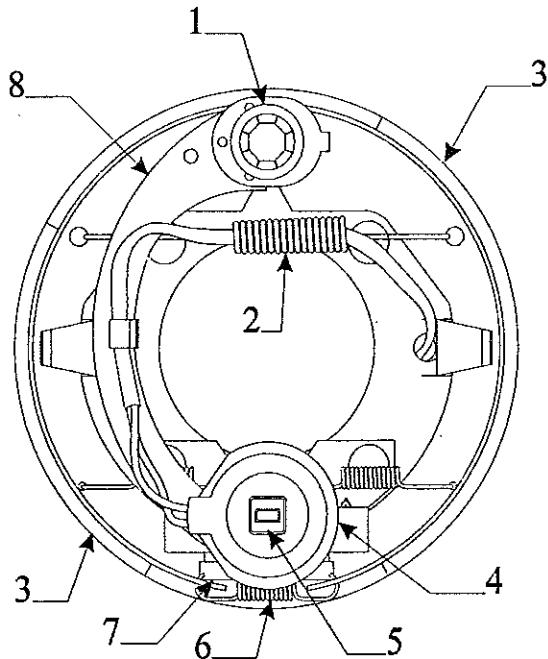
*** PRIOR AUTHORIZATION NEEDED FROM FACTORY**

Flat Rate	Code	Part #	Description	Flat Rate	Code	Part #	Description
		4741G6301	Axle Assembly (Complete) - 3369,70 F.R.	.75			
		4749-6071	Axle Assembly (Complete) - 3375 Taos F.R.	.75			
	Axle & Spring Components 3369,70,75						
*	1	4741B8491	spindle	2.00	6	4741A3398	spring shackle (rear)
*	2	4741A8471	brake plate 3369,70 only	.75	7	4735G2201	leaf spring (3 ply) 3369,70
*	3	4741-8461	spring pad channel m2	.75		4741B3381	leaf spring (2 ply) 3375
1.00	4	4716-1571	axle beam 3375 only	2.00	8	4741C3398	spring shackle (front)
		4741F6251	axle beam 3369,70	.50	9	4741-8458	u-bolt plate
.25	5	4737A1318	shackle bolt	.25	10	4741A8438	u-bolt
		4741-9498	shackle bolt nut		11	4741-9358	u-bolt nut
					12	Note: refer above for hub & components	

1999 DESTINY series REPAIR PARTS

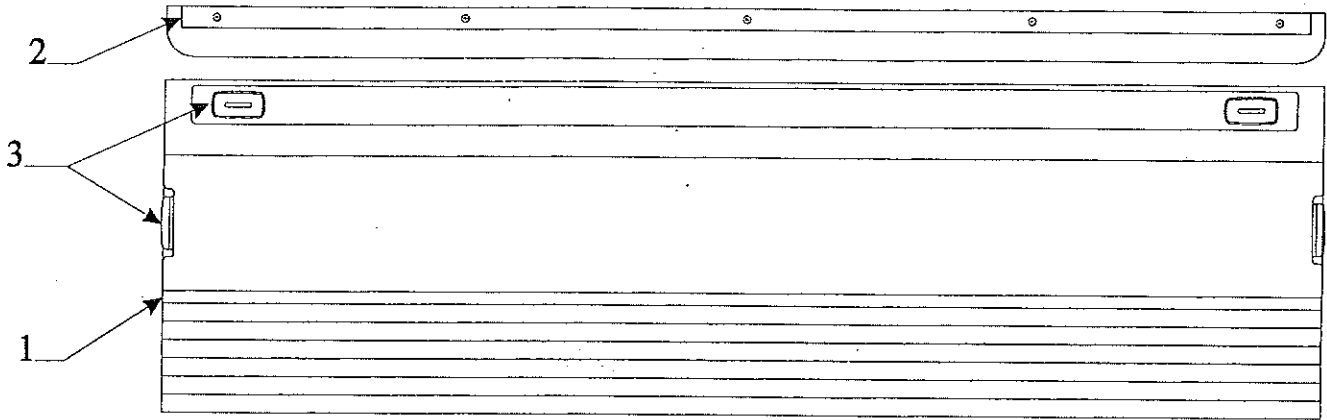


<u>Flat Rate .50 Per Side</u>			
Electric Brake Pkg. 7"x 1 1/4" (4714H2011)			
<u>Flat Rate</u>	<u>Code</u>	<u>Part #</u>	<u>Description</u>
.50	1	4733A3521	brake assembly (right hand)
		4733A3531	brake assembly (left hand)
.50	2	4714A2201	grease seal x1 m4
.50	3	4716-1101	bearing, race & seal pkg.
.30	4	4716A1071	hub & drum assembly x2
.05	5	4747A9528	lug nuts x5
.10	6	4714-3068	slotted spindle nut x1
.10	7	1204-1268	cotter pin x1
.05	8	4714B0621	dust cap m4

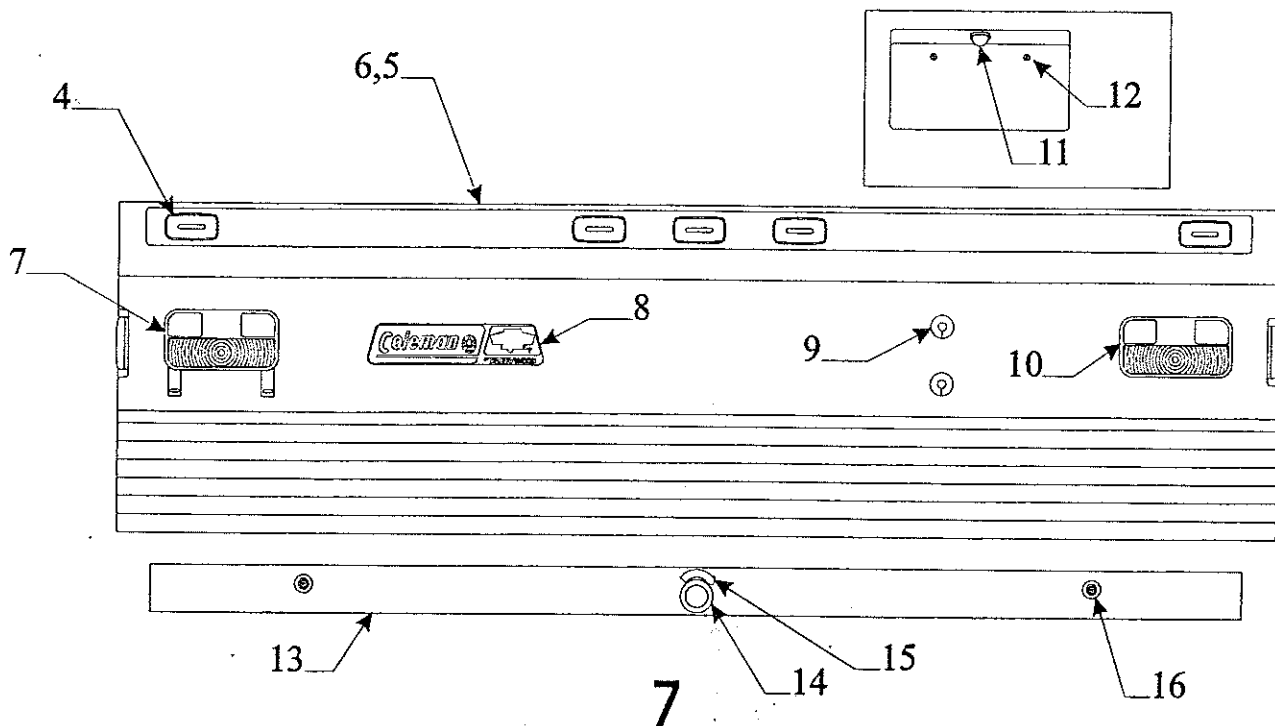


<u>Flat Rate .50 Per Side</u>			
Electric Brake Components			
<u>Flat Rate</u>	<u>Code</u>	<u>Part #</u>	<u>Description</u>
	1	4714A2461	anchor post clip m2
	2	4714A2411	retractor spring
.40	3	4714B2071	7 " x 1 1/4" brake shoe (set)
.40	4	4714D2451	magnet, spring & clip pkg.
.30	5	4714B2471	retainer clip m2
	6	4714A2101	adjusting screw spring
	7	4714A2041	adjusting screw
	8	4714A2841	rt. & lt. lever arm pkg.
.30	9	4714B2421	magnet housing spring

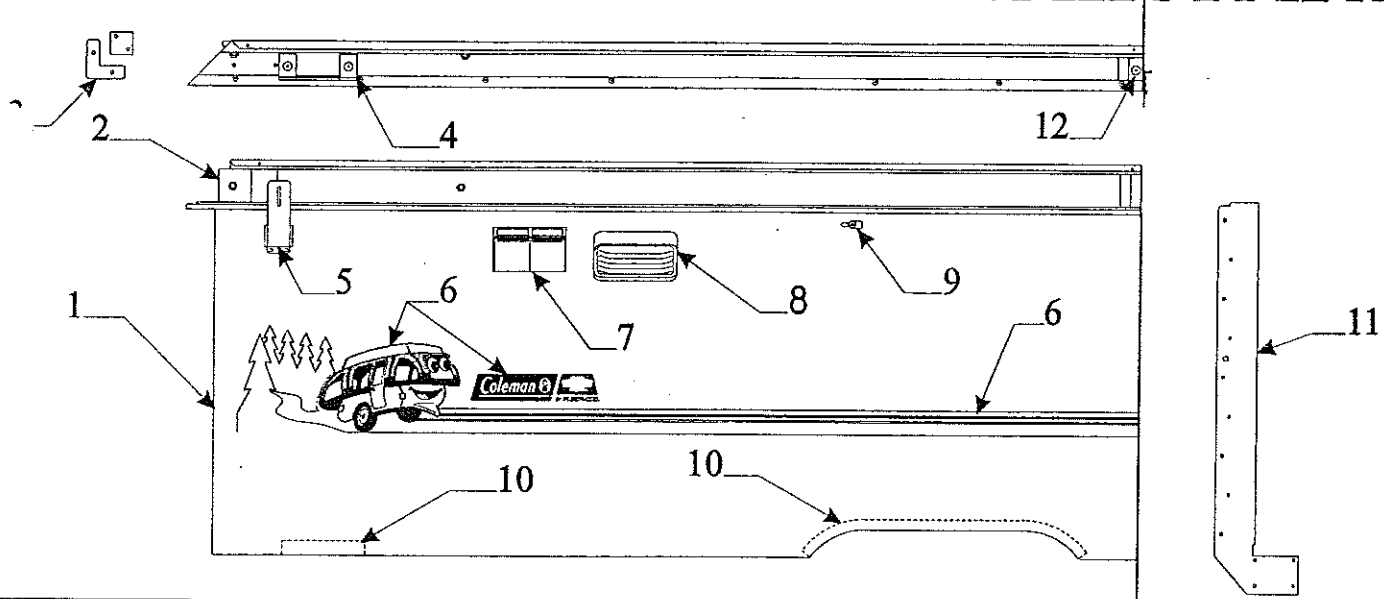
1999 DESTINY series REPAIR PARTS



* 1.50 Flat Rate Front Panel/2.50 Rear Panel							
Front & Rear ABS Body Panel Components 3369,3375							
Flat Rate	Code	Part #	Description	Flat Rate	Code	Part #	Description
*	1	4716U9021	front & rear body pnl. 3369,70	.25	8	4716A1581	frt./rr. decal & hardware kit
.65		4747C4531	front body pnl. 3375	.10	9	4754-3871	foam gasket m2
.75	2	4754-8681	front end rail 3369,70	.20	10	4749B4321	taillight (all)
.75		4747A0801	front end rail 3375				Note: taillight used x2 on 3375
.15	3	4714H08481	amber marker light x4	.10		4716A1061	taillight lens
.10		4716-4571	amber lens (lens only)			4747-2558	expansion rivet m25
.25		4733H1311	socket & harness	.15	11	4739B4311	tag light 3375
		4747-2558	expansion rivet m25	.05	12	4732-1181	plastic grommet m4 3375
.15	4	4714H08581	red marker light x7	.05		1121C1618	license plate screw x2
.10		4716-4561	red lens (lens only)	.30	13	4756-2371	bumper 3369
		Note: refer to code # 3 for hardware		.30		4754D0211	bumper 3370
.85	5	4747C4641	rear body pnl. 3375	.30		4751C0181	bumper 3375
		4741D96568	expansion rivet m25 "wht."	.10	14	4733-2741	2" snap bushing
.75	6	4754-8691	rear end rail 3369,70	.10	15	4730H3188	"open" decal
.75		4747B0791	rear end rail 3375	.25	16	1032B24248	bolt x2
.20	7	4743C1311	taillight w/holder 3369,70			1202B0468	washer x6 m10
.10		4716A1051	taillight lens			1202B1068	washer x2
		4747-2558	expansion rivet m25			1201B6068	nut x2

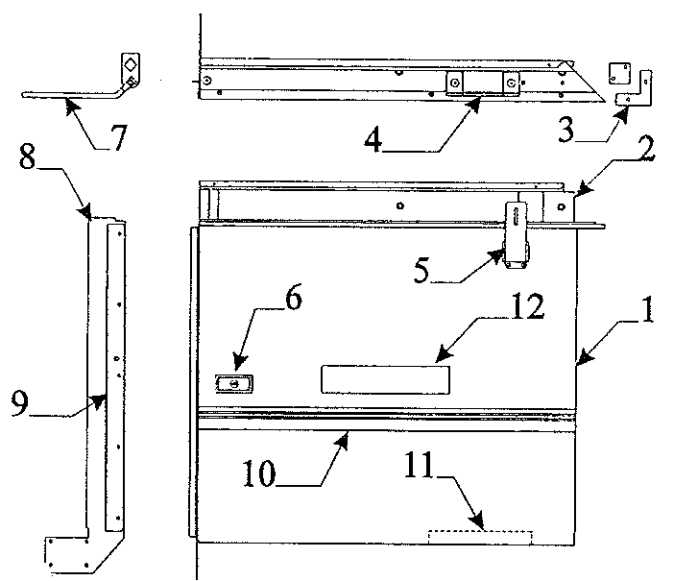


1999 DESTINY series REPAIR PARTS



Flat Rate	Code	Part #	Description	Flat Rate	Code	Part #	Description
1.00	1	4754-9701	csr body panel 3369 Santee		5	4749-4848	foam pad
1.00		4754A8061	csr body panel 3370 Redwood	.50	6	4716F8251	trim tape & hardware kit
1.00		4716B9751	csr body panel 3375 Taos			4752D15088	happy camper decal
1.00	2	* 4754-9511	csr body rail 3369 Santee	.25	7	4746A3861	duplex cover & outlet
1.00		**4754A9511	csr body rail 3369 Santee	.35		4746-3871	duplex box
1.00		* 4754A8031	csr body rail 3370 Redwood			1203-8678	rivet m25 (rivet box to pnl.)
1.00		**4754B8031	csr body rail 3370 Redwood	.25	8	4752-9921	porch light
1.00		4749C9761	csr body rail 3375 Taos	.10		4716-5511	porch light lens
		4723A8071	velcro patch 2" x 2" m4	.15	9	4738-3941	turn button & rivet
		4350000005F	3/4" velcro hook (sold/yard)		10	4060050008P	1/2" x 1" foam tape pkg. (12' pc.)
.15	3	4716-7061	inner/outer miter cover pkg. m4	1.25	11	4754A6201	door bulkhead csr 3369,3370
			Note: pkg. Includes rivets	1.25		4747A0101	door bulkhead csr 3375 Taos
.25	4	4734C4121	lift trim,rivets & gasket pkg. M4			4734C1861	rivet m25 (arctic white)
.15	5	4741C6041	top latch w/out lock tab				

* Used on 3369,70 prior to production date 12/3/98
 ** Used on 3369,70 starting w/and thereafter production date 12/3/98

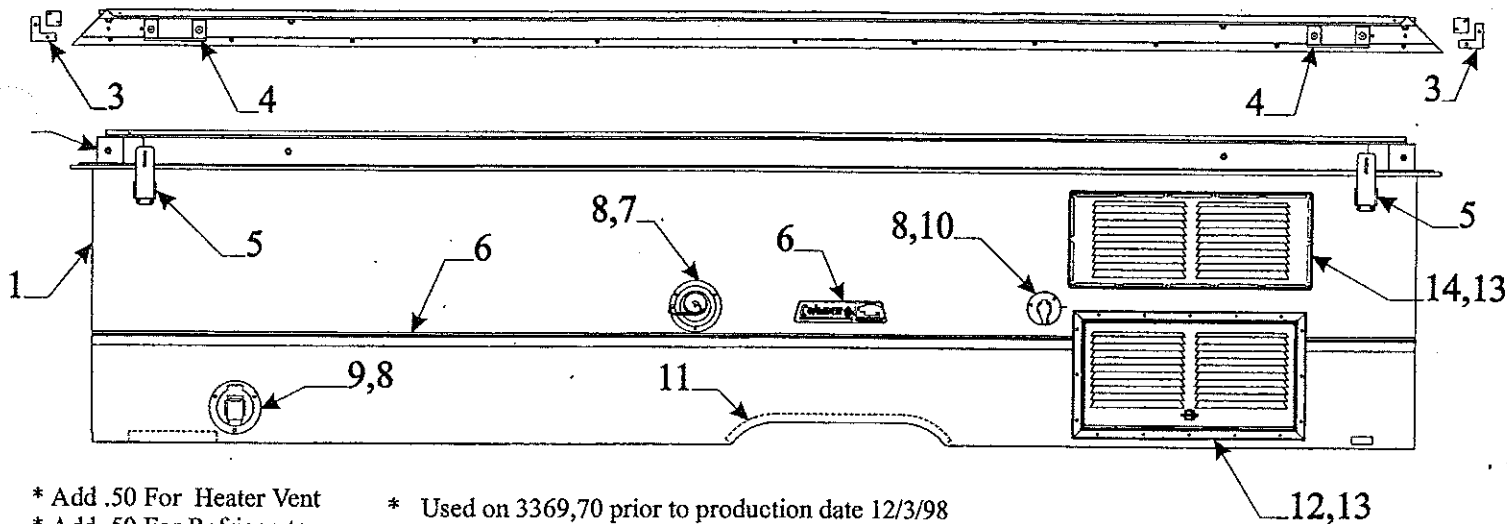


.25	12	4754-9738	Santee name decal 3369
.25		4754A8738	Redwood name decal 3370
.25		4749H3198	Taos name decal 3375

8

4716F8251 Curbside Trim Tape/Hardware Kit							
Flat Rate	Code	Part #	Description	Flat Rate	Code	Part #	Description
.85	1	4754-9721	csf body panel 3369 Santee				
.85		4754-8051	csf body panel 3370 Redwood				
.85		4716C0441	csf body panel 3375 Taos				
1.00	2	* 4754-9501	csf body rail 3369 Santee				
1.00		**4754A9501	csf body rail 3369 Santee				
1.00		* 4754A8021	csf body rail 3370 Redwood				
1.00		**4754B8021	csf body rail 3370 Redwood				
1.00		4747B0561	csf body rail 3375 Taos				
.10		4723A8071	velcro patch 2" x 2" m4				
.10		4350000005F	3/4" velcro hook (sold/yd.)				
.15	3	4716-7061	inner/outer miter cover pkg. m4				
.25	4	4734C4121	lift trim,rivets & gasket pkg. m4				
.15	5	4741C6041	top latch w/out lock tab				
		4749-4848	foam pad				
1.00	6	4730C3111	lock handle (with key)				
1.00	7	4754-1691	latch,strike & lever 3369,70				
1.00		4747-3501	latch,strike & lever 3375 Taos				
1.25	8	4754A6191	door bulkhead csf 3369,70				
1.25		4747A0091	door bulkhead csf 3375 Taos				
.25	9	4754A2111	door bulkhead angle 3369,70				
.25		4749B3881	door bulkhead angle 3375 Taos				
		4350000022F	foam tape (sold/foot)				
.25	10	4716F8251	trim tape & hardware kit				

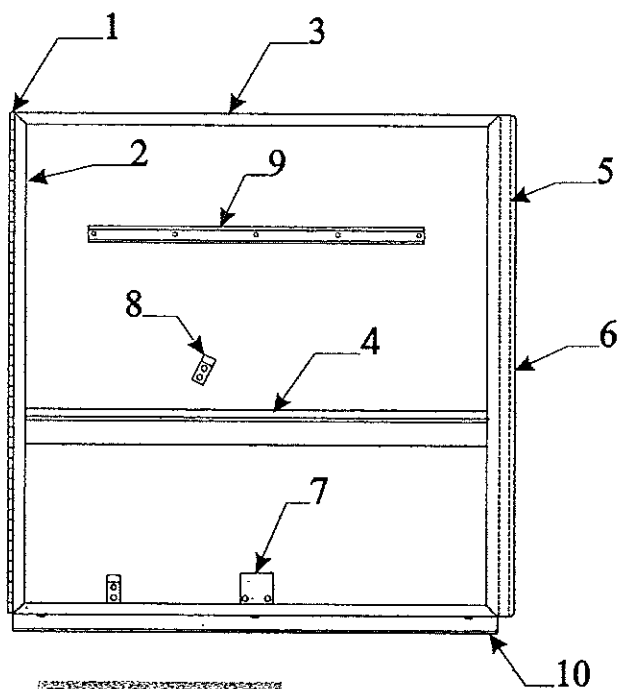
1999 DESTINY series REPAIR PARTS



* Add .50 For Heater Vent
* Add .50 For Refrigerator

* Used on 3369,70 prior to production date 12/3/98
** Used on 3369,70 starting w/and thereafter production date 12/3/98

4716F8261 Roadside Trim Tape/Hardware Kit				Roadside Left Body Panel & Components			
Flat Rate	Code	Part #	Description	Flat Rate	Code	Part #	Description
*2.00	1	4754-9711	left side body pnl. 3369 Santee	.15	5	4741C6041	top latch w/lock tab
*2.00		4754-8071	left side body pnl. 3370 Redwood			4749-4848	foam pad
*1.00		4716B98071	left side body pnl. 3375 Taos	.50	6	4716F8261	trim tape & hardware kit
3.00	2	* 4754A9521	left side body rail 3369 Santee	.30	7	4731D1711	water tank spout
3.00		** 4754B9521	left side body rail 3369 Santee		8	4741-3508	hex head tek screw x3
3.00		4754-8041	left side body rail 3370 Redwood	.15	9	4733B23361	cable hatch
3.00		4754B8041	left side body rail 3370 Redwood	.30	10	4732F1521	city fill
3.00		4747B0581	left side body rail 3375 Taos		11	4060050008P	1/2" x 1" foam tape pkg. (12' pc.)
		4723A8071	velcro patch 2" x 2" m4	.25	12	4747C8331	louvered door panel (refrig. Vent)
.10		4350000005F	3/4" velcro hook (sold/yd.)		13	4745A3961	torx hd. screw "white" m50
		4757-0731	wire grommet & nut	.25	14	4747C8321	louvered panel (refrig. Vent)
.15	3	4716-7061	inner/outer miter cover pkg. M4				
.25	4	4734C4121	lift trim,rivets & gasket pkg. M4				

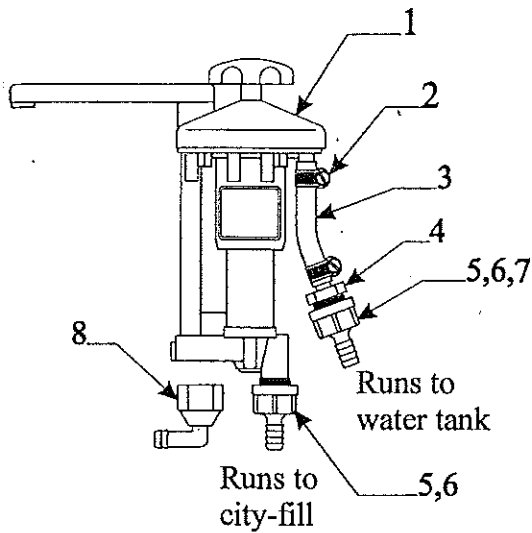


4754C5111 Access Door Assy. 3369, 3370 F.R. .50
4749H6471 Access Door Assy. 3375 Taos F.R. .50
Note: Access Door less trim tape must order separately

Access Door Assembly Components			
Flat Rate	Code	Part #	Description
.25	1	4754B0281	door hinge 3369, 3370
.25		4747A3621	door hinge 3375 Taos
.35	2	4754-0251	door frame 3369,3370
.35		4747A3591	door frame 3375 Taos
.25	3	4749B9821	door cap (all)
.25	4	4716-4961	trim tape pkg. (5' pc.)
.20	5	4060000023P	d-seal pkg. (5' pc.)
.25	6	4754C0261	door frame 3369,70
.25		4747A3601	door frame 3375
.10	7	4749A9941	door bracket (all)
.10	8	4720A0721	cooler clip m2
		4745-3698	screw x2
.25	9	4750A8481	stove support brkt.
		4716-081	screw x2
.25	10	4747C3611	bottom trim (all)

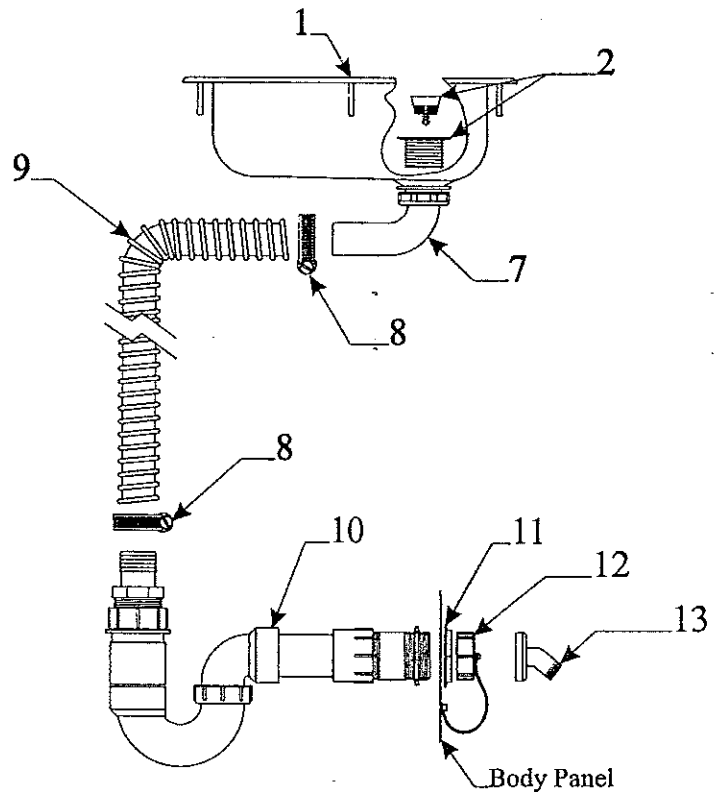
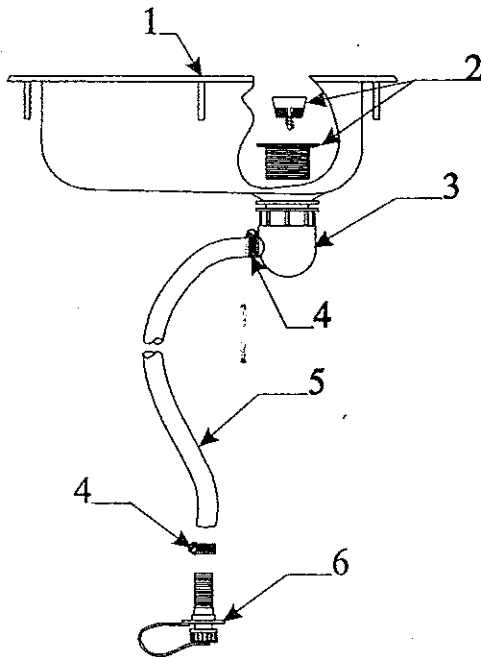
Revised 3/1/99

1999 DESTINY series REPAIR PARTS



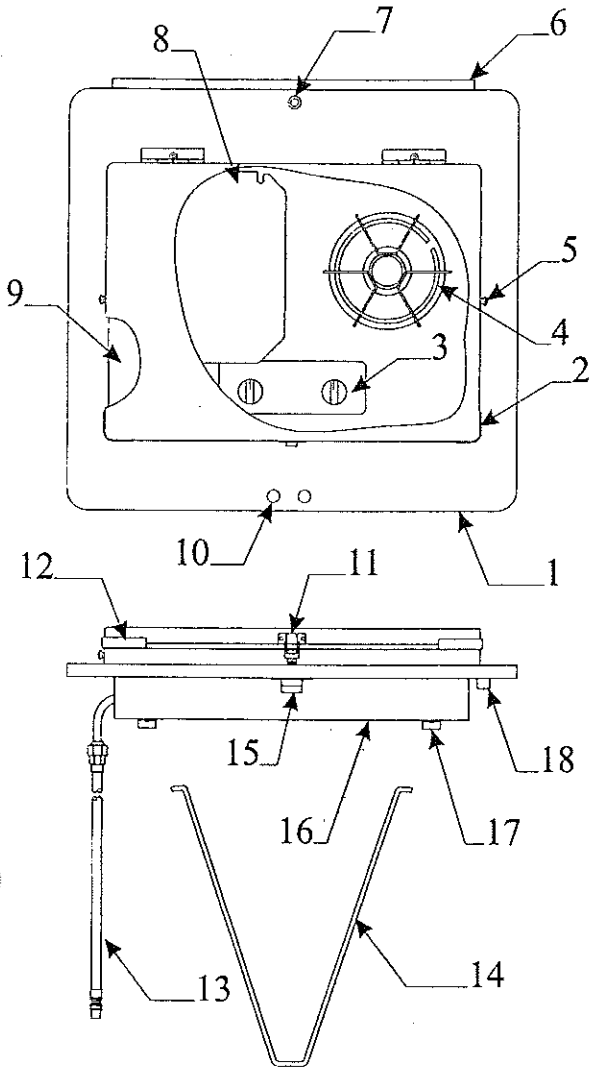
Flat Rate	Hand pump & related parts	Code	Part #	Description
.40	1	4734D0161	hand pump	
		4716-081	screw x4	
	2	4731-3058	adjustable hose clamp	
.35	3	4714-038	3/8" h.p. Hose (sold/foot)	
.20	4	4732-4561	male adapter	
.20	5	4741-9568	barbed adapter	
.20	6	1202-5828	rubber washer	
.20	7	4754-4418	round filter screen	
.20	8	4741-2351	street elbow	

TO ORDER REPAIR PARTS
 FOR MODEL # 150-000-00 SHURFLO PUMP
 CALL: 1/800-854-3218 GARDEN GROVE, CA..
 CALL: 1/800-762-8094 ELKHART, IN.



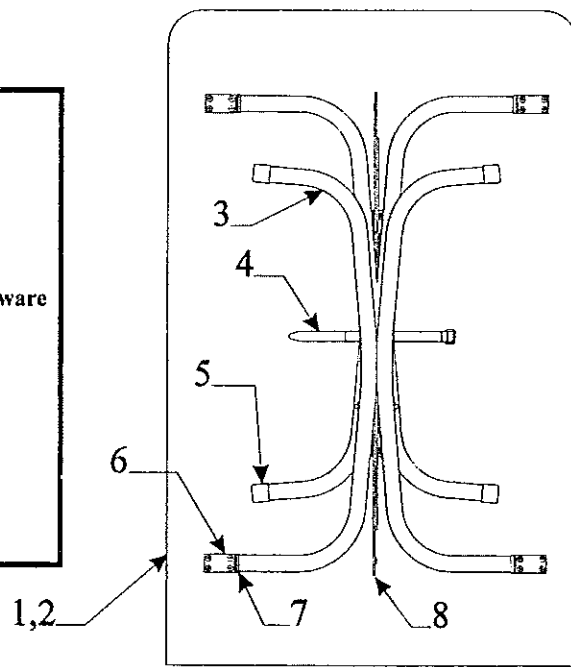
Flat Rate	Sink & Component parts	Code	Part #	Description	Flat Rate	Code	Part #	Description
.30	1	4710F0301	sink "stainless"		.80	8	4715-4501	1 1/4" hose clamp
.05	2	4714B0661	crumb cup "only"			9	4060012503P	1 1/4" drain hose pkg. (10' pc.)
.25		4730E3151	crumb cup & basket					Note: must cut hose to length
.25	3	4734A0671	drain trap m2			10	4758-5431	drain trap assembly
	4	4744-2678	hose clamp			11	4757-0851	nut
.20	5	4742A8781	drain hose m2 (8' pc.)		.10	12	4714A2861	cap & strap
.20	6	4734C0681	drain spout m2			13	4737-9138	drain adapter
.40	7	4757-0861	elbow, nut & washer					
		4757-0831	black rubber washer					

1999 DESTINY series REPAIR PARTS

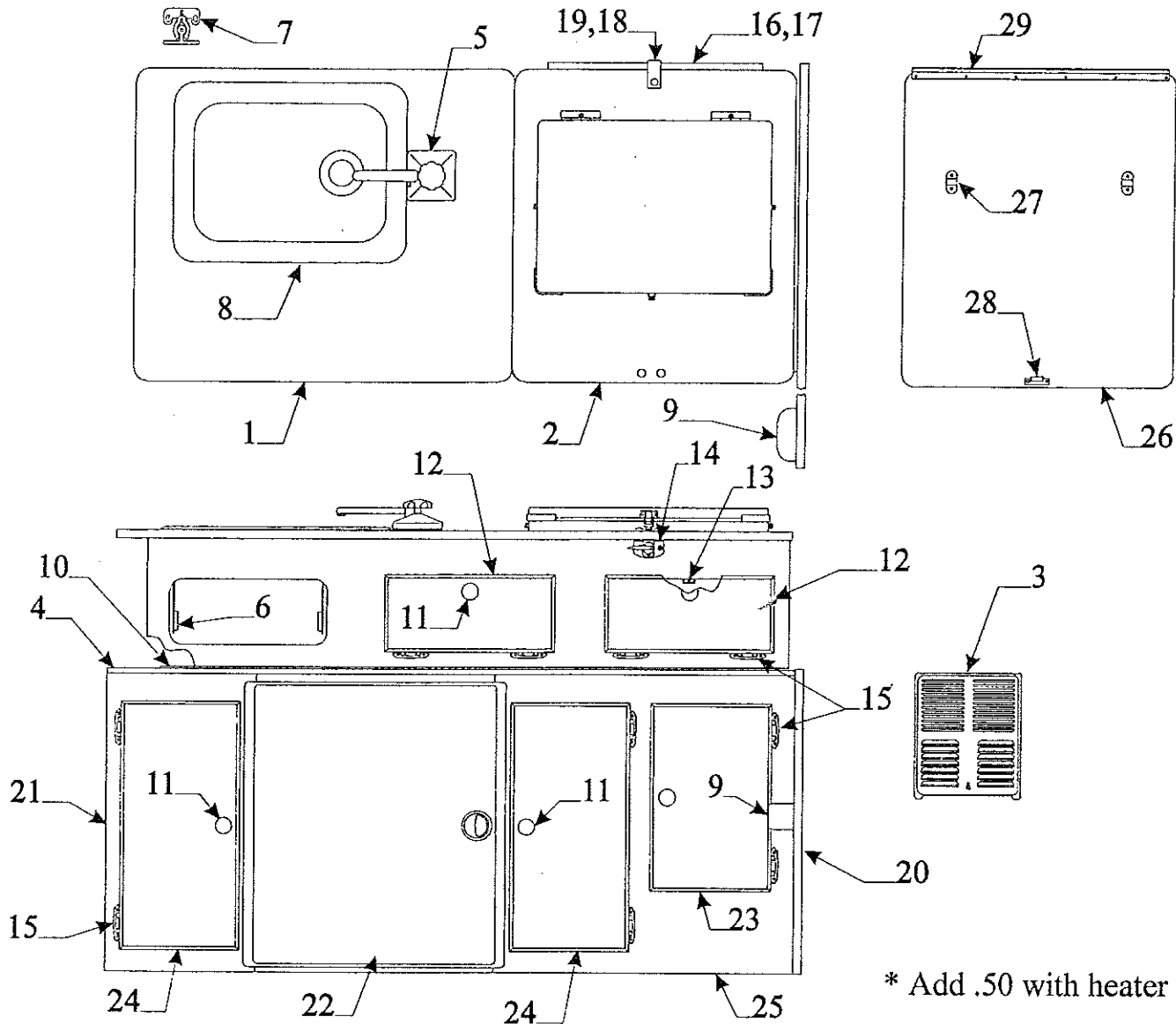


Flat Rate	Code	Part #	Description
.60	1	4754-9441	counter top 3369 Santee
.60		4742J8141	counter top 3370 Redwood
.60		4754B0451	counter top 3375 Taos
.30		4060400088P	t-molding pkg. (14' pc.)
.15	2	4749E6601	stove cover assy. "black" (all)
.05	3	4716-1861	knob x2
.05	4	4716-1851	stove grate x2
.05	5	4716A0881	thumb screw m6
.35	6	4754-0471	stove hanger bracket
.05	7	4730A3548	stud w/screw
.25	8	4749D99381	stove fin "black" x2
		4741A4401	hinge x2
		1203-8558	rivet m25 (x2 per hinge)
.15	9	4746A9491	cook top "black" (all)
	10	4739E2908	screw cap m10
		4739-2918	screw cap washer m10
.20	11	4733-4018	stove cover latch
		1203-8558	rivet m25 (x2 per latch)
.10		4733-4028	strike
		4737-8478	screw
.05	12	4732A2291	edge molding m2
.25	13	4752A2471	gas hose w/lp plug
.05	14	4748-2731	support leg (all)
.15	15	4754A08861	latch strike
.75	16	4748C2581	stove box (2 burner)
.20	17	4740A1891	support leg brkt.w/rivets m2

Flat Rate	Code	Part #	Description
.50	1	4754B8251	table top 39" x 26" 3369,3370
.50		4748J2761	table top 39" x 30" 3375 Taos
.30	2	4060400088P	t-molding pkg. (14' pc.)
.50	3	4745F52781	table leg package
		Note: pkg. includes 2 legs & required mounting hardware	
.10	4	4751A9711	strap & screw pkg.
	5	4752-0551	white plastic cap m2
	6	4720F1211	table leg mounting brace m2
		1103B101F	5/8" wood screw
.15	7	4752A0561	table leg insert cap m2
		4747-2558	expansion rivet m25
	8	4720A1501	lock brace assembly
		1103B101F	5/8" wood screw

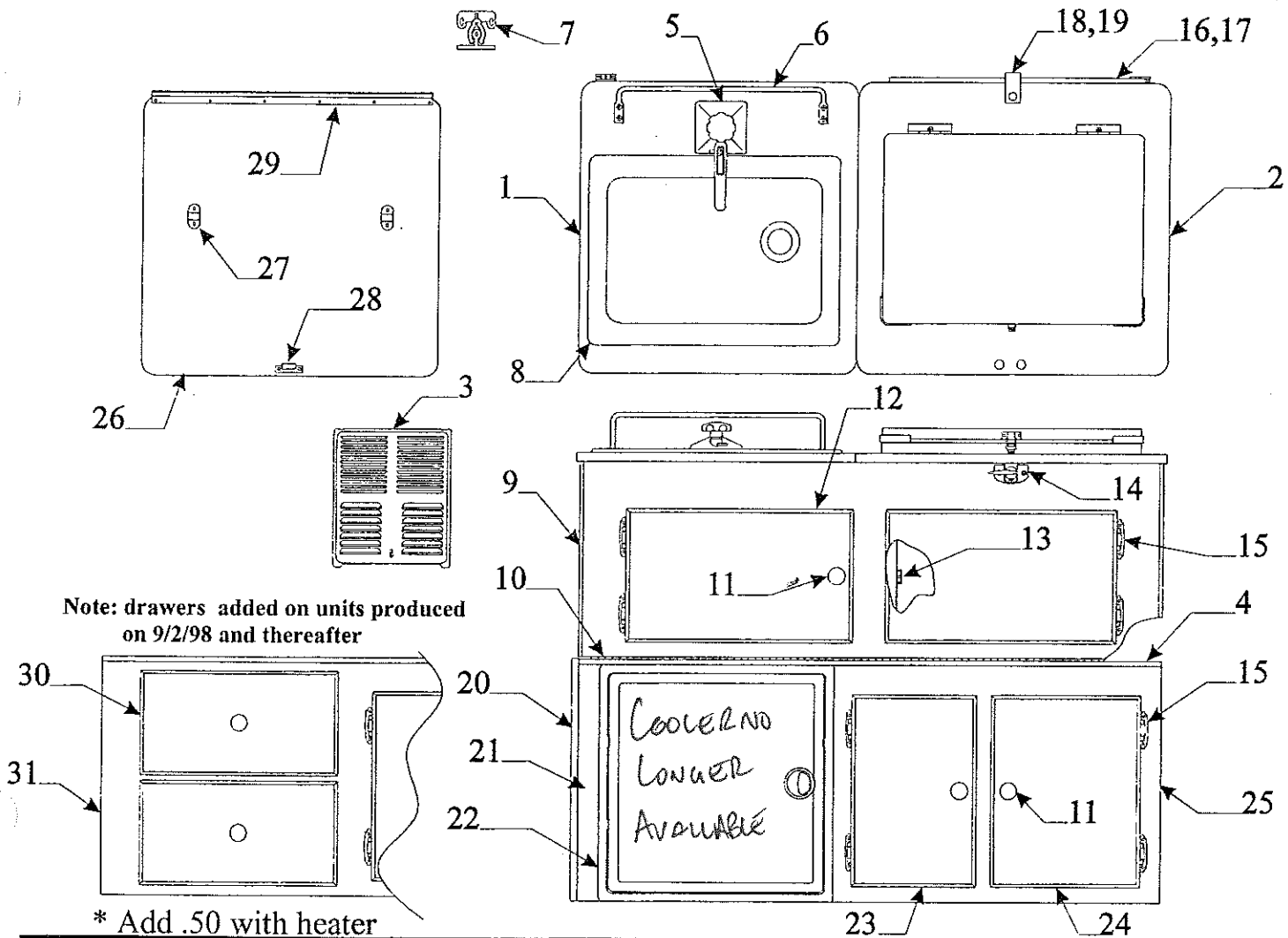


1999 DESTINY series REPAIR PARTS



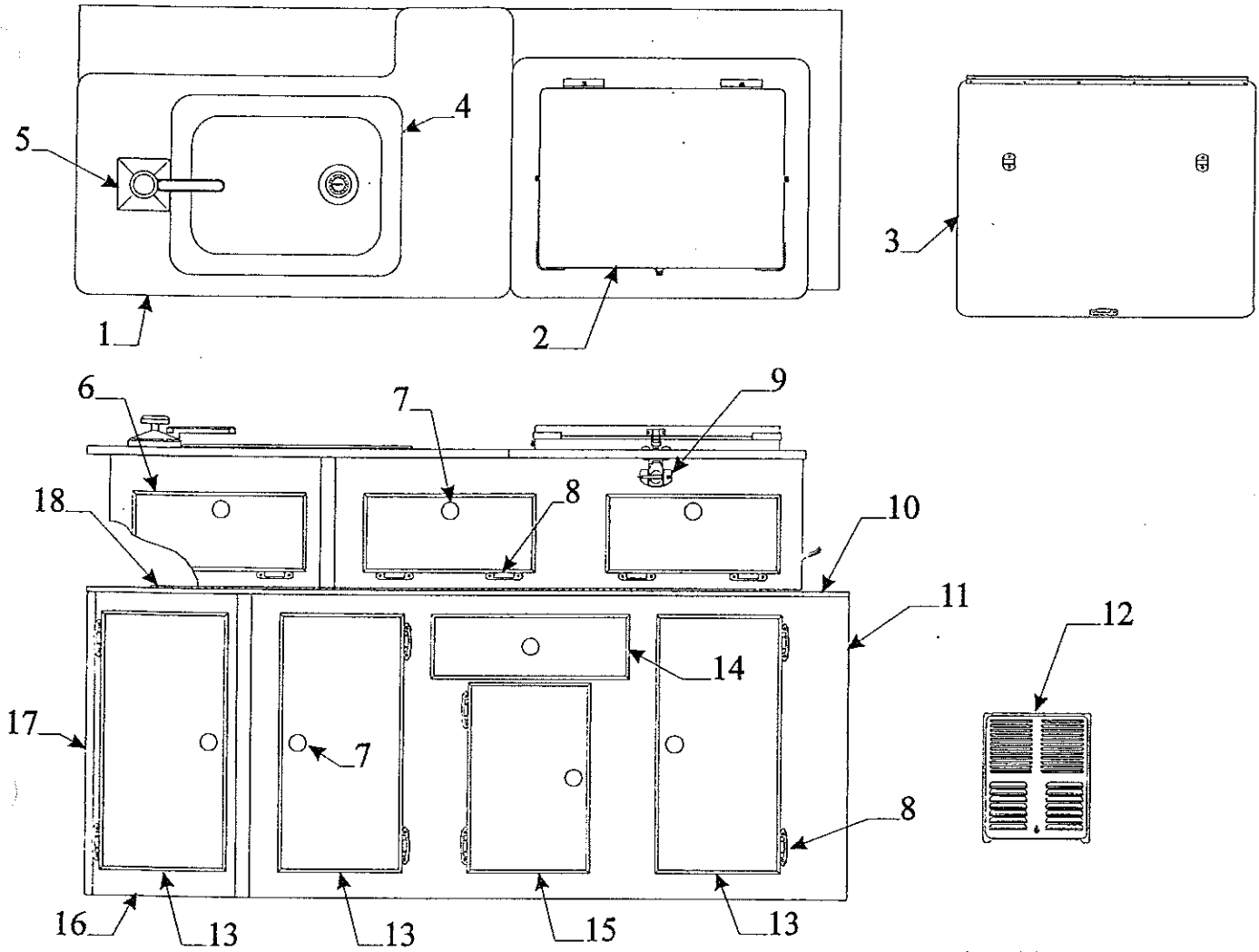
Flat Rate	Upper & Lower Galley Assy. Components -3369 Santee	Flat Rate	Code	Part #	Description
1.00	1 4754-9391	.10	11	4748A3951	door pull (includes screw)
.30	4060400088P	.15	12	4754-9471	door panel 12 3/4" x 5 3/4"
	2 Note: refer to page 11 for stove components	.15	13	4733-6391	latch & strike pkg.
.10	3 4743-3551	.20	14	4754-0501	latch
1.25	4 *4754-9361	.10	15	4739B0518	hinge
	4716-9691	.10		4745C26188	hinge (spring loaded)
.20	4746A0971	.35	16	4750A8481	stove support
.40	5 4734D0161	.35	17	4754-0461	stove support brkt.
	4716-081	.10	18	4723B5061	safety strap
	5 Note: refer to page 10 for pump components	.05	19	4730A3548	stud w/screw
.25	6 4754-8511	.35	20	4754-9381	seat gazoodi
.15	7 4744A9261	.75	21	4754-8331	lower galley frt. "small"
	4738-3088	.50	22	4754A0481	built-in cooler
.30	8 4710F0301	.15	23	4754A0561	door panel 14" x 9 1/8"
	8 Note: refer to page 10 for sink components	.15	24	4755-4081	door panel 18 7/8" x 9 1/8"
.25	9 4754A0901	1.50	25	*4754-9371	galley front "large"
.50	10 4754-9451	.10	26	4757-6511	cutting board assy.
	1103B08148	.15	27	4740A1891	support leg brkt. M2
	1016B08208	.15	28	4754A08861	latch strike
	1201B6908	.15	29	4754-0471	hanger bracket

1999 DESTINY series REPAIR PARTS



Flat Rate	Upper & Lower Galley Assy. Components - 3375 Taos	Flat Rate	Description
Code	Part #	Code	Part #
1.00	1 4749L9921	.20	14 4754-0501
.30	4060400088P	.10	15 4739B0518
	2 Note: refer to page 11 for stove components	.10	4745C26188
.10	3 4743-3551	.35	16 4750A8481
1.25	4 *4747G4371	.35	17 4754-0461
	4716-9691	.10	18 4723B5061
.20	4746A0971	.05	19 4730A3548
.40	5 4734D0161	.35	20 4749F9891
	4716-081	.75	21 4752B2081
	5 Note: refer to page 10 for pump components	.50	22 4752B57781
.25	6 4734H0991	.40	4752A5761
.15	7 4744A9261	.15	4751-1591
	4738-3088	.05	4752-1741
.30	8 4710F0301	.05	4752-3221
	8 Note: refer to page 10 for sink components	.10	4744-9071
.65	9 4716C0151	.15	23 4754A0561
.50	10 4747A9671	.15	24 4754A1461
	1103B08148	1.50	25 *4749E9901
	1016B08208	.10	26 4754B5391
	1201B6908	.10	27 4740A1891
.10	11 4748A3951	.10	28 4754A08861
.15	12 4754A1481	.15	29 4754-0471
.15	13 4733-6391	.10	30 4758-5691
		1.25	31 *4749H9901

1999 DESTINY series REPAIR PARTS

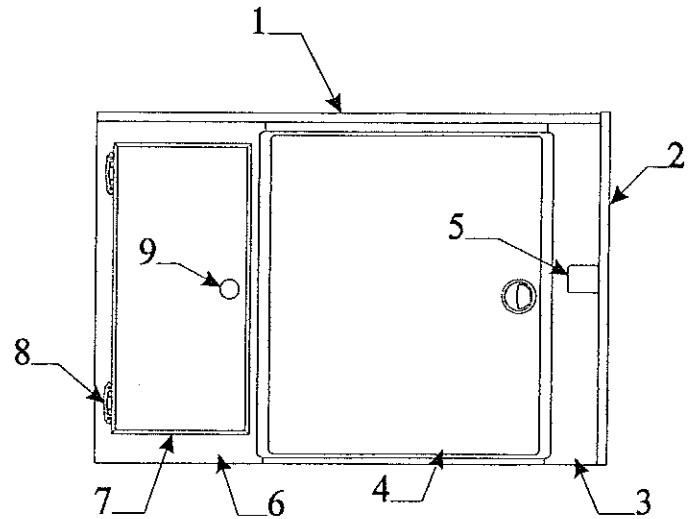


* Add .50 with heater

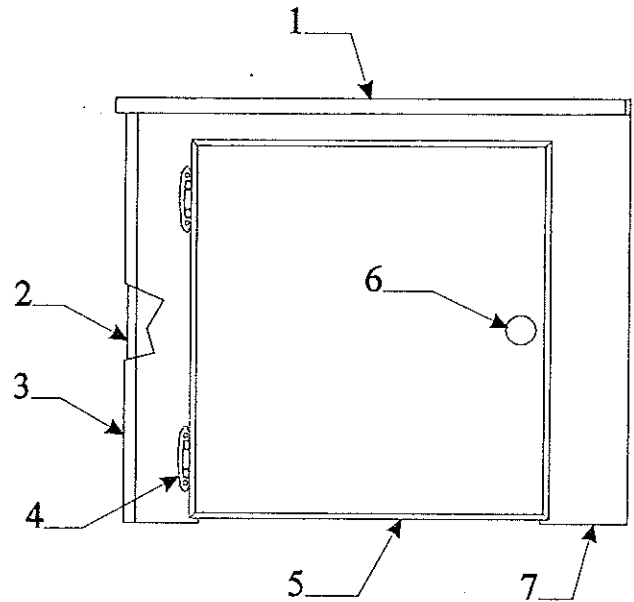
Flat Rate	Upper & Lower Galley Assy. Components - 3370	Flat Rate	Code	Part #	Description
1.00	1	.10	8	4739B0518	upper galley top
.30		.20	9	4754-0501	4060400088P t-molding pkg. (14' pc.)
	2	1.25	10	4757-1051	Note: refer to page 11 for stove components
.10	3	.20		4716-9691	4749J6551 cutting board assy.
.30	4	1.50	11	*4757-1041	Note: refer to page 12 for hardware
.40	5	.10	12	4743-3551	4710F0301 sink
.15	6	.15	13	4755-4081	Note: refer to page 10 for sink components
.10	7	.10	14	4758-5751	4734D0161 hand pump
		.15	15	4754A0561	4716-081 screw x4
		.75	16	4754-8331	Note: refer to page 10 for pump components
		.75	17	4754A4851	4754-9471 door panel x3 -12 /34" x 5 3/4"
		.50	18	4754-9451	4748A3951 door pull (includes screw)
					Note: refer to page 12 for mounting hardware

1999 DESTINY series REPAIR PARTS

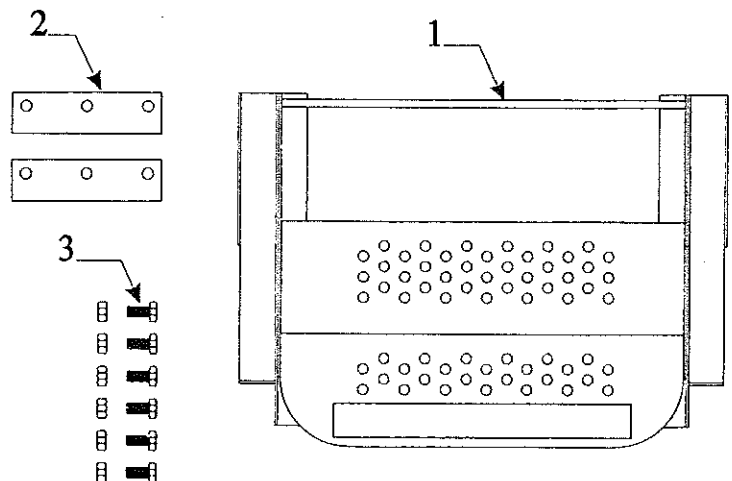
Flat Rate	RSR Hutch Components 3370 Redwood	Code	Part #	Description
.25	1	4754A8321	cabinet top	
.30		4060462502P	t-molding pkg. (8' pc.)	
.30	2	4754A8261	seat gazoodi 42" x 23"	
.30		4060400087P	5/8" oak t-molding pkg. (12' pc.)	
.75	3	4754-8341	cabinet front "right"	
.50	4	4754A0481	built-in cooler	
.25	5	4754A0901	galley rest (plastic)	
.75	6	4754-8331	cabinet front "left"	
.15	7	4755-4081	door panel 18 7/8" x 9 1/8"	
.10	8	4745C26188	hinge (spring loaded)	
.10	9	4748A3951	door pull (includes screw)	



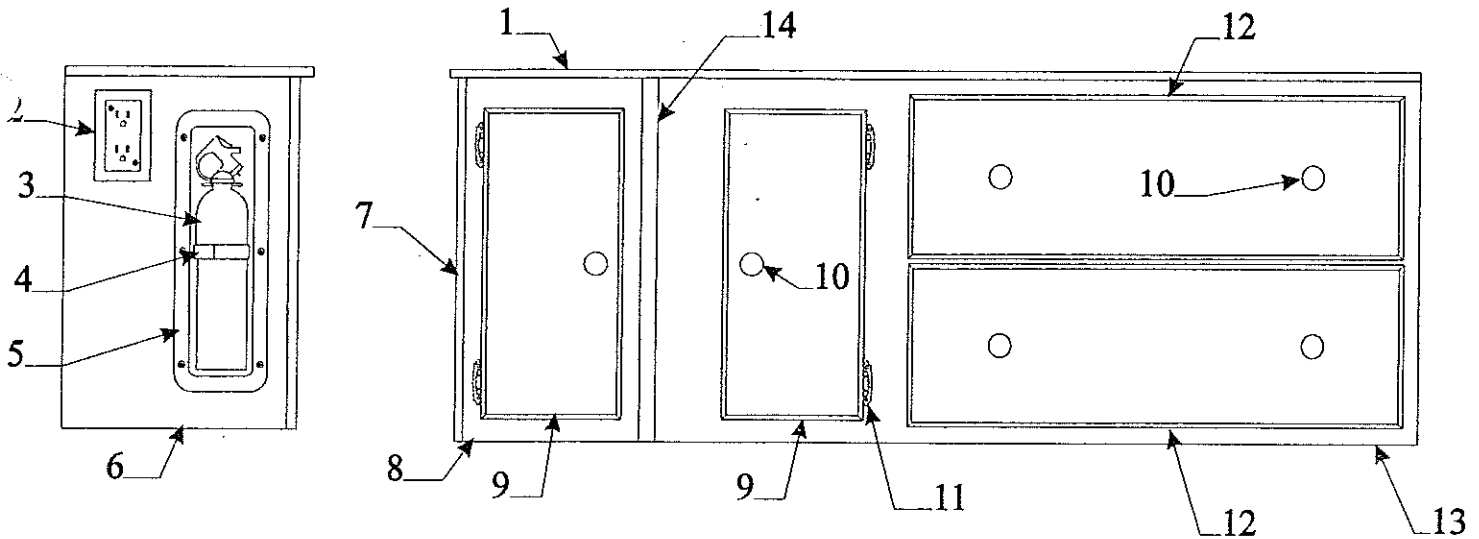
Flat Rate	Curbside Corner Cabinet Components 3369,70,75	Code	Part #	Description
.25	1	4754-9321	csf cabinet top 3369	
.25		4754-9061	csf cabinet top 3370	
.25		4747C3321	csf cabinet top 3375	
.30		4060462502P	t-molding pkg. (8' pc.)	
.30	2	4754-9311	cabinet side 3369	
.30		4747E3351	cabinet side 3370,75	
.65	3	4716C0151	3/8" f-channel 24" pc.	
.10	4	4745C26188	hinge (spring loaded)	
.15	5	4754A0711	door pnl. (all) 16 1/8" x 15 1/4"	
.15		4733-6391	latch & strike pkg.	
.10	6	4748A3951	door pull (includes screw)	
.50	7	4747E3281	cabinet frt. w/ door cutout (all)	



Flat Rate	Step Components	Code	Part #	Description
.50	1	4747A9741	step	
	2	4750-3361	step shim x2	
	3	1200B3048	bolt x6	
		1201B6068	nut x6	

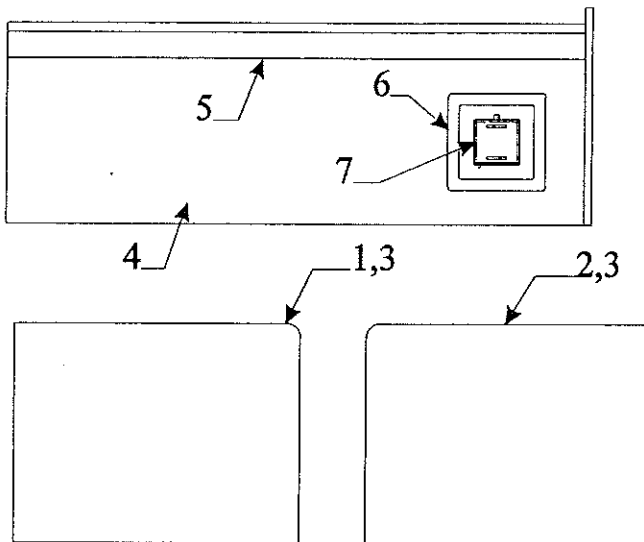


1999 DESTINY series REPAIR PARTS



Flat Rate	Code	Part #	Description	Flat Rate	Code	Part #	Description
.75	1	4754-9341	hutch top	.65	7	4716C0151	3/8" f-channel 24" pc.
.30		4060462502P	t-molding pkg. (9' pc.)	.50	8	4754-9331	hutch front "small"
.20	2	4752-2361	15 amp receptacle	.15	9	4755-4081	door panel 9'18" x 18 7/8"
.10	3	4737A5558	fire extinguisher	.10	10	4748A3951	door pull (includes screw)
.05	4	4716-1191	fire extinguisher strap m2	.10	11	4745C26188	hinge (spring loaded)
.15	5	4737B4198	recessed mount	.10	12	4757-6651	drawer assy. x2
		4738-3088	screw x6	1.25	13	4754C0551	hutch front "large"
.55	6	4754B0521	hutch side	1.00	14	4754A054	3/8" h-channel

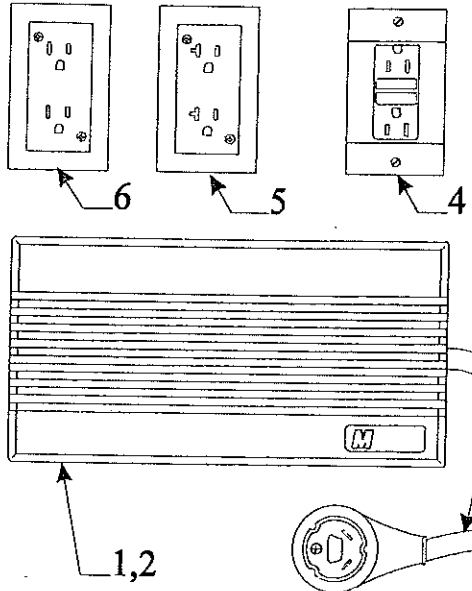
Note: refer to page 15 drawer components



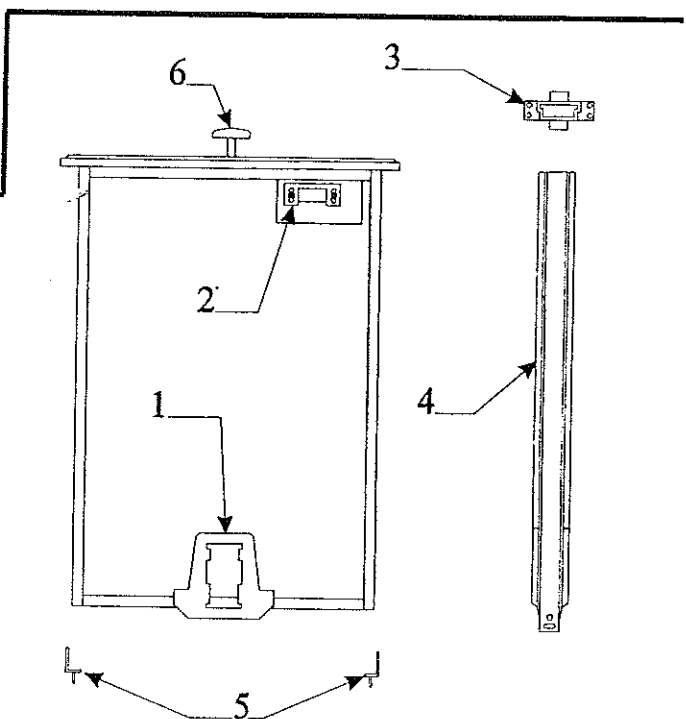
Flat Rate	Code	Part #	Description
.30	1	4754A0371	seat end "rsr" 3369,3370
.30		4749E9881	seat end "cs" 3375 Taos
.30	2	4754A0351	seat end "rsf" 3369,3370
.30		4749E9891	seat end "rs" 3375 Taos
.30	3	4060450002P	t-molding pkg. (9' pc.)
.50	4	4716-2721	bench panel 13 5/8" x 48"
.50	5	4754A2391	table rest (must cut to size)
.20	6	4747-8391	plastic base & bracket
*	7	4752-8461	thermostat
.25	8	4753-9171	"lp" gas detector

* Warranted Through Vendor

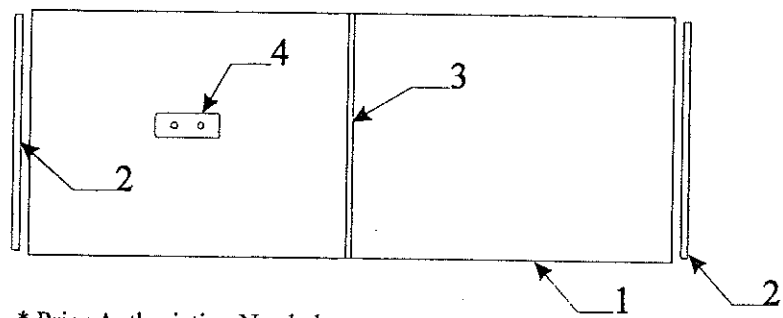
1999 DESTINY series REPAIR PARTS



Converter & Related Parts - 3369,70,75			
Flat Rate	Code	Part #	Description
1.00	1	4742B9811	converter 12 amp (model 6712 w/charger)
.15	2	4716-1301	converter face cover (plastic)
.60	3	4744-3101	power cord 30 ft.
.35	4	4746B3841	GFI receptacle w/cover (wht.)
.20	5	4752-2371	20 amp receptacle w/cover (wht.)
.20	6	4752-2361	15 amp receptacle w/cover (wht.)
	7	4746A3851	receptacle box



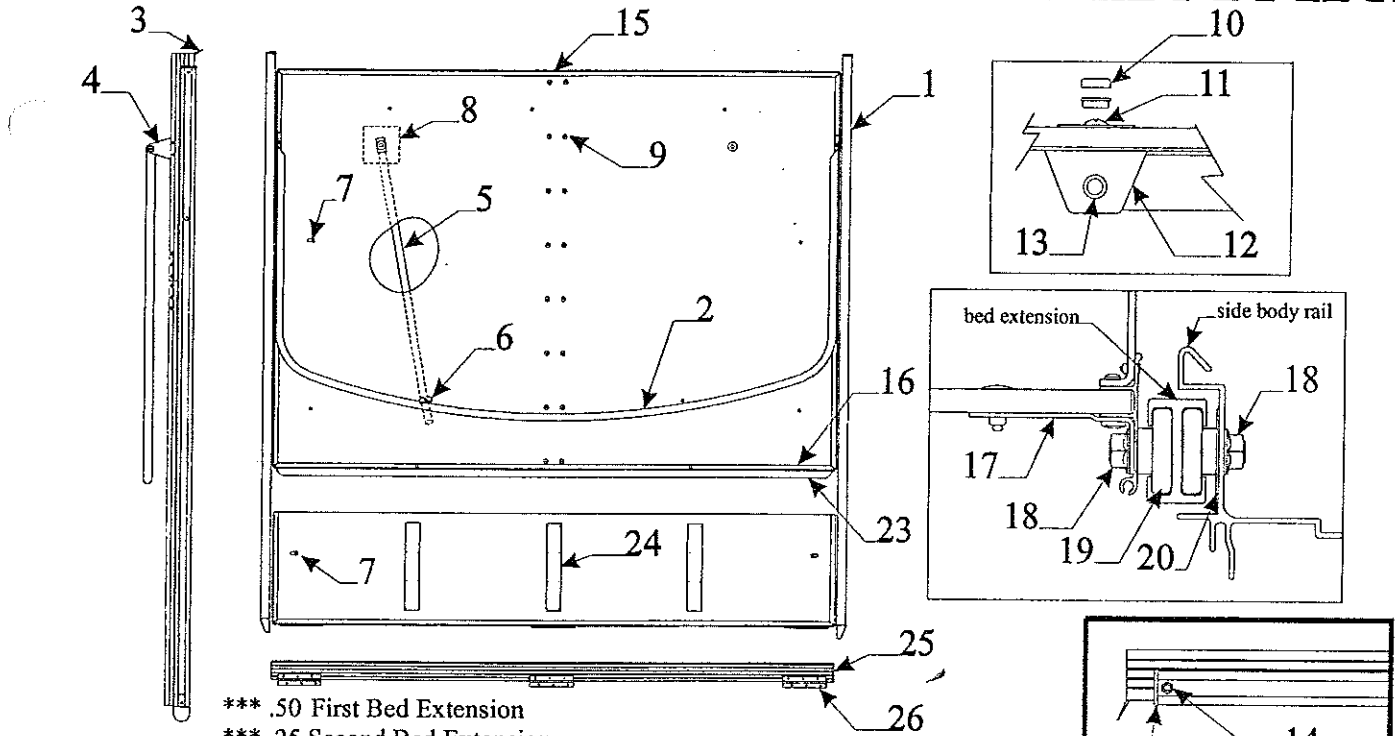
Drawer Assy. Component Parts			
Flat Rate	Code	Part #	Description
.15	1	4749-8371	plastic base guide
.15	2	4749-8381	plastic drawer latch
.15	3	4749-8361	plastic guide socket
.25	4	4754-0721	metal drawer guide
.05	5	4749-8398	plastic corner tack
.15	6	4748A3951	door pull w/screw



* Prior Authorization Needed

Paneling & Trim (Must Cut To Size)			
Flat Rate	Code	Part #	Description
*	1	4754A1361	universal wall panel 48" x 23 13/16"
*	2	4716A1321	universal corner divider m2 48" pc.
*	3	4715A1331	universal panel divider m2 48" pc.
.15	4	4754A0901	galley rest

1999 DESTINY series REPAIR PARTS



*** .50 First Bed Extension

*** .25 Second Bed Extension

- 3369 - 4755C5171 Front Bed Assy. "Complete"(king) F. R. - .75
- 3370 - * 4758-5931 Front Bed Assy. "Complete"(stationary) F.R. - .75
- 3370 - ** 4758A5931 Front Bed Assy. "Complete" (stationary) F.R. - .75
- 3370 - * 4758-5941 Front Bed Assy. "Complete"(flip-over) F.R. - .50
- 3370 - ** 4758A5941 Front Bed Assy. "Complete"(flip-over) F.R. - .50
- 3369,70 - 4754C5701 Rear Bed Assy. "Complete" (double) F. R. - .75

Rate	Code	Part #	Description
***	1	4716U4031	bed extension (x2 per bed)
			Note: must cut to size if needed for rear bed assy.
.25	2	4714B1901	tent bow/leg package
.25	3	4060400339F	vinyl bed seal (sold/foot)
.15	4	4720G5631	bed bow bracket (x2 per bed)
.20	5	4734E5881	bed leg assembly m2 (x2 fit./rear bed)
.15	6	4720C0771	bed leg clip m4
		1203-8831	rivet m25 (rivet clip to bed)
.15	7	4720D4021	lashing hook m6
		1203-8741	rivet m25 (rivet hook to bed)
.20	8	4737A4178	support plate
		1203C8721	rivet m25
		10	4739E2908
		4739-2918	screw cap washer m10
		11	4716-074
		1202B2528	washer
.20	12	4734A5141	bed leg bracket
		13	4720A2361
.20	14	1034B16128	flat head screw
		1201B6378	lock nut
1.50	15	4733D0921	inside bed frame (front bed 3369)
1.50		* 4756-8561	inside bed frame (front bed 3370)
1.50		** 4756A8561	inside bed frame (front bed 3370)
1.50		4739C4631	inside bed frame (rear bed 3369,70)

* Used on 3370 prior to s/n - 64201 12/3/98
 ** Used on 3370 starting with s/n - 64201 12/3/98 thereafter

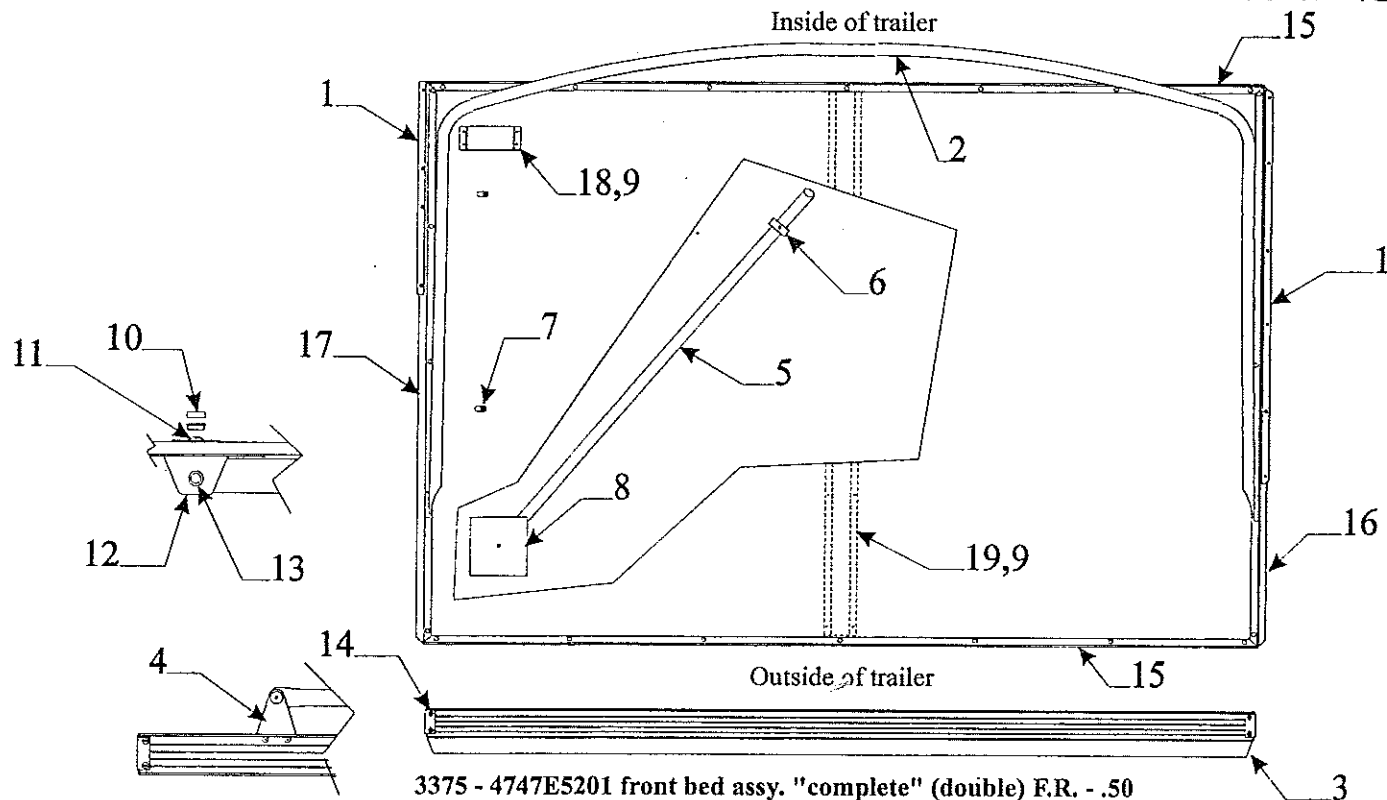
Mattress Assemblies & Covers Flat Rate .50 per cover

Model	Frnt. Matt. assy.	Frnt. Matt. Cover
3369 Santee	4757-6421	4714-6421
3370 (large)	* 4755A5721	* 4716A5721
3370 (large)	** 4755B5721	** 4716B5721
3370 (small)	* 4755A5731	* 4716A5731
3370 (small)	** 4755B5731	** 4716B5731
3375 Taos	4749K6361	4716K6361
Model	Rear Matt. assy.	Rear Matt. Cover
3369,3370	4757B5091	4716A5091
3375 Taos	4749K6361	4716K6361

Mattress Assembly Dimensions		
Model	Frnt. Matt. Assy.	Rear Matt. Assy.
3369 Santee	77" x 70" x 3 1/2"	77" x 48" x 3 1/2"
3370 (large)	77" x 54" x 3 1/2"	77" x 48" x 3 1/2"
** 3370 (large)	77" x 53" x 3 1/2"	
* 3370 (small)	77" x 15 1/2" x 3 1/2"	
** 3370 (small)	77" x 16 1/2" x 3 1/2"	
3375 Taos	72" x 48" x 3 1/2"	72" x 48" x 3 1/2"

Flat Rate	Code	Part #	Description
1.50	16	4744B9991	outside bed frame (front bed 3369)
1.50		* 4756-8541	outside bed frame (front bed 3370)
1.50		** 4756A8541	outside bed frame (front bed 3370)
1.50		4720F1181	outside bed frame (rear bed 3369,70)
.20	17	4755A2591	bed brkt. w/mounting hardware x4
	18	4739-2298	lock nut
.50	19	4754-8101	bed roller, nut, bolt, & washer pkg.
	20	1202B2908	washer
.15	21	4754-8631	bed slide end cap
.15	22	4754-4821	bed slide wedge
.40	23	4737E8691	bed rest 3370
.05	24	4753A855	velcro hook x3
1.50	25	* 4756-8551	bed frame 3370
1.50		** 4756A8551	bed frame 3370
.15	26	4720C3601	hinge x3
		1203-8641	rivet m25 (x3 per hinge)

1999 DESTINY series REPAIR PARTS

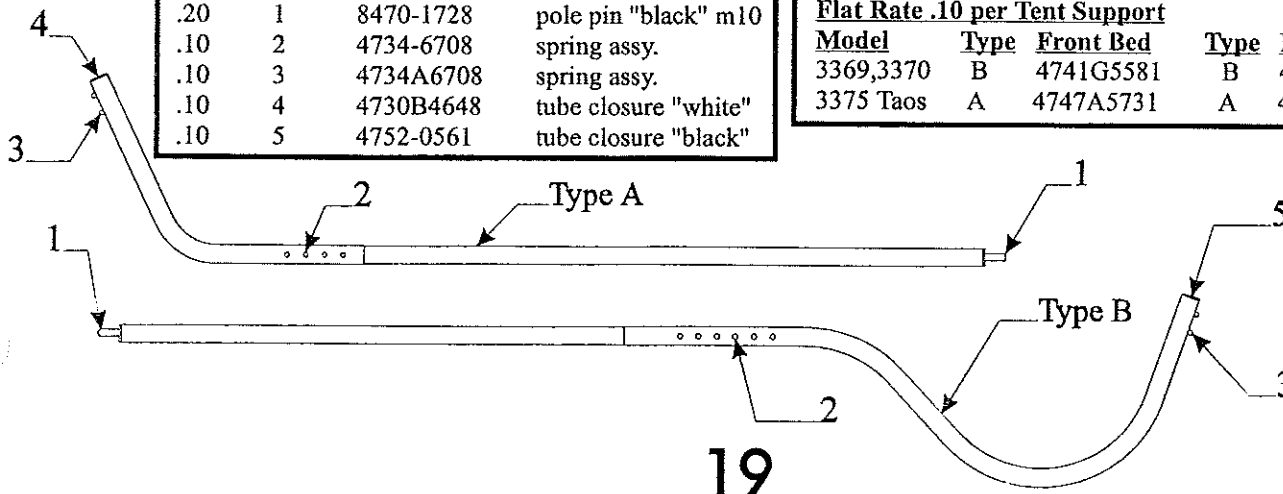


3375 - 4747E5201 front bed assy. "complete" (double) F.R. - .50
 3375 - 4747E5481 rear bed assy. "complete" (double) F.R. - .50

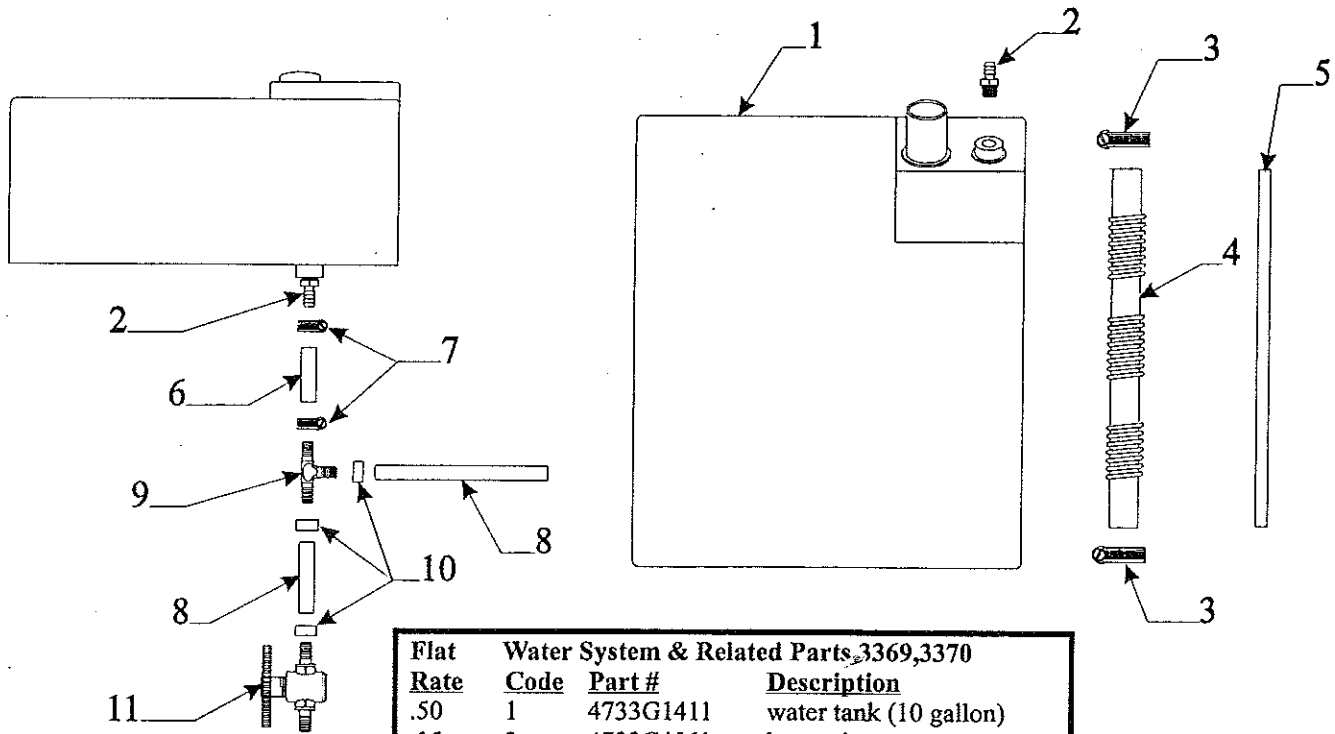
Flat Rate	Frnt. & Rear Bed Assy. Code	Components Part #	Description	Flat Rate	Code	Part #	Description
.40	1	4747C4051	plastic bed slide 18"		10	4739E2908	screw cap m10
.40		4747C3691	plastic bed slide 40"			4739-2918	screw cap washer m10
		4752-3061	rivet m25		11	4716-074	screw
.25	2	4714A1901	tent bow/leg package			1202B2528	washer
.25	3	4060400339F	vinyl bed seal (sold/foot)	.20	12	4734A5141	bed leg bracket
.15	4	4720G5631	bed bow bracket x2		13	4720A2361	rod & pal nut
.20	5	4734E5881	fit. bed leg assy. m2	.20	14	4747A3221	corner angle x4
.20		4750-6171	rear bed leg assy. x2			1203-8641	rivet m25
.15	6	4720C0771	bed leg clip m4	.50	15	4747A3241	front & rear bed frame
		1203-8831	rivet m25	.60	16	4747A3231	side rail csr/rsf
.15	7	4720D4021	lashing hook m6	.60	17	4749A8151	side rail csf/rsr
		1203-8741	rivet m25	.20	18	4749A4891	bed stop
.20	8	4737A4178	support plate	.40	19	4747A1161	bed channel
	9	1203C8721	rivet m25				

Flat Rate	Tent Support Components		
Rate	Code	Part #	Description
.20	1	8470-1728	pole pin "black" m10
.10	2	4734-6708	spring assy.
.10	3	4734A6708	spring assy.
.10	4	4730B4648	tube closure "white"
.10	5	4752-0561	tube closure "black"

Tent Support Assemblies (Complete)				
Flat Rate .10 per Tent Support				
Model	Type	Front Bed	Type	Rear Bed
3369,3370	B	4741G5581	B	4741F5591
3375 Taos	A	4747A5731	A	4747A5731

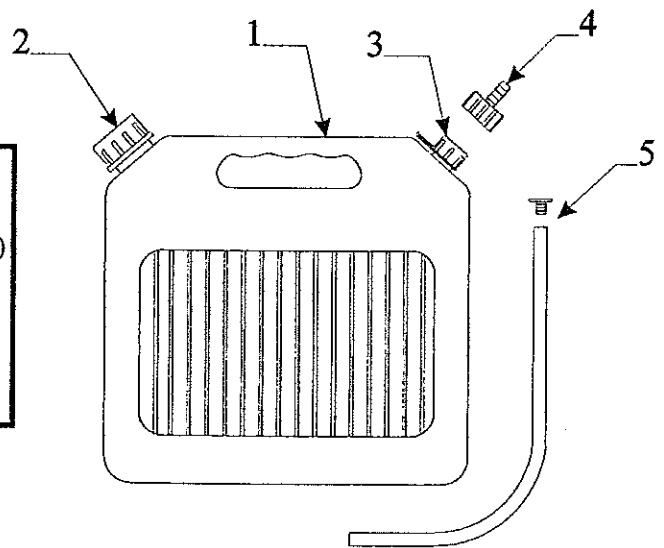


1999 DESTINY series REPAIR PARTS

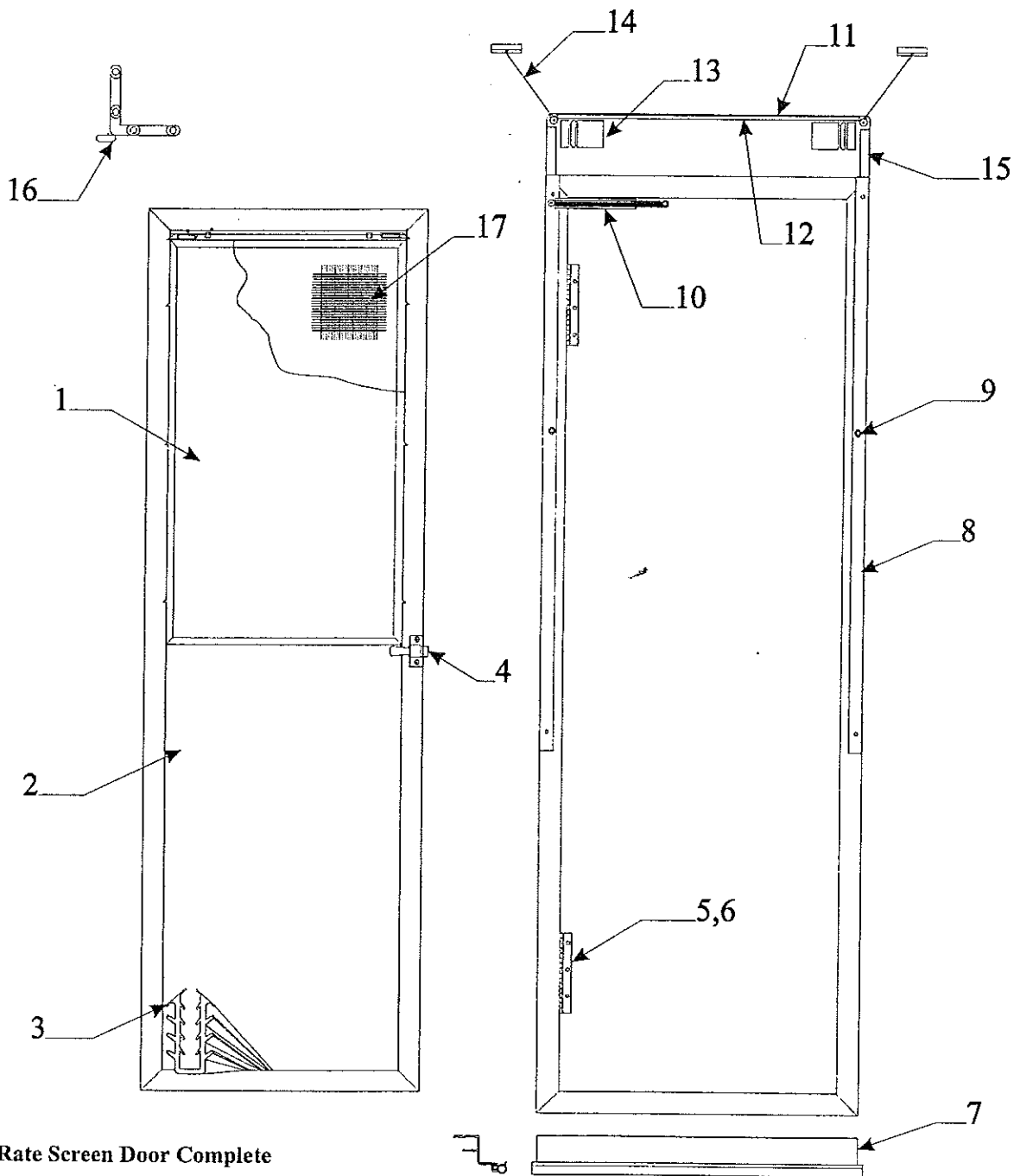


Water System & Related Parts, 3369, 3370				
Flat Rate	Code	Part #	Description	
.50	1	4733G1411	water tank (10 gallon)	
.15	2	4732C4561	hose adapter	
	3	4715-4501	1 1/4" hose clamp	
.35	4	4731H1081	water fill hose 24" pc.	
	5	4060050003F	1/2" h.p. hose (sold/foot)	
	6	4714-038	3/8" h.p. hose (sold/foot)	
	7	4731-3058	adjustable hose clamp	
	8	4060050001	grey water line (sold/foot)	
.25	9	4741-2388	barbed tee	
	10	4741-2758	ring clamp	
.20	11	4741A2368	line drain	

Portable Water Tank 3375 Taos				
Flat Rate	Code	Part #	Description	
.10	1	4735-2131	water tank 5 gal. (complete)	
		4735C0988	water tank decal	
	2	4714-0231	large cap	
	3	4714-0221	small cap & strap	
	4	4714-0241	barb stem & collar	
	5	4714A0671	suction stem	



1999 DESTINY series REPAIR PARTS



.30 Flat Rate Screen Door Complete

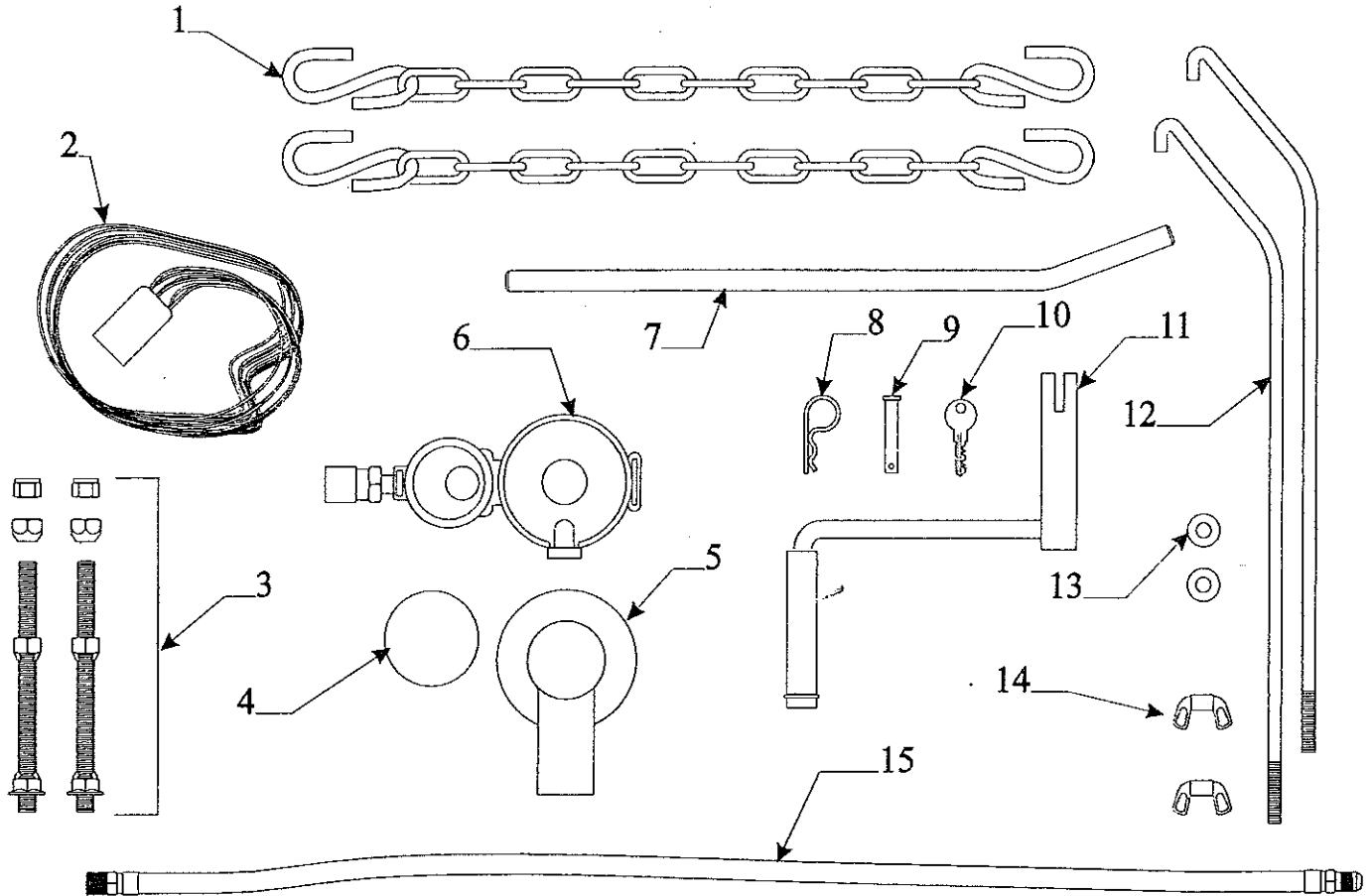
* Used on 3369,70 prior to production date 12/3/98

** Used on 3369,70 starting w/and thereafter production date 12/3/98

Note: parts marked w/* asterisk are not included w/screen door

Flat Rate	Code	Part #	Description	Flat Rate	Code	Part #	Description
		* 4747L5371	Screen Door Assy. 3369,70,75	.05	9	4730A3548	stud w/screw x2
		** 4757B5191	Screen Door Assy. 3369,70	.20	10	4731A8201	spring package
.10	1	4716E3401	top sliding window pane	.30	11	4749C8451	top bracket
.40	2	4754B1541	stationary window pane	.10	12	4060037505F	grey foam tape (sold/foot)
.15	3	4060000086F	rubber seal (sold/foot)	.10	13	4350000209F	2" velcro loop (sold/yard)
			Note: around perimeter of window pane	.10		4350000012F	3/4" velcro loop (sold/yard)
.15	4	*4742-9671	door latch assembly	.15	14	4734D5211	cable assy. m6
.15	5	4720C3601	hinge x2	.10	15	4350000119F	velcro loop "blk" (sold/yard)
	6	1203-8641	rivet m25	.50	16	4710-3791	corner brace hinge m2
.25	7	*4747A5621	screen door support	.75	17	4716-1381	screened stationary pane
		*4060000399F	rubber seal (sold/foot)			4716-1111	screening 36" x 18 1/2"

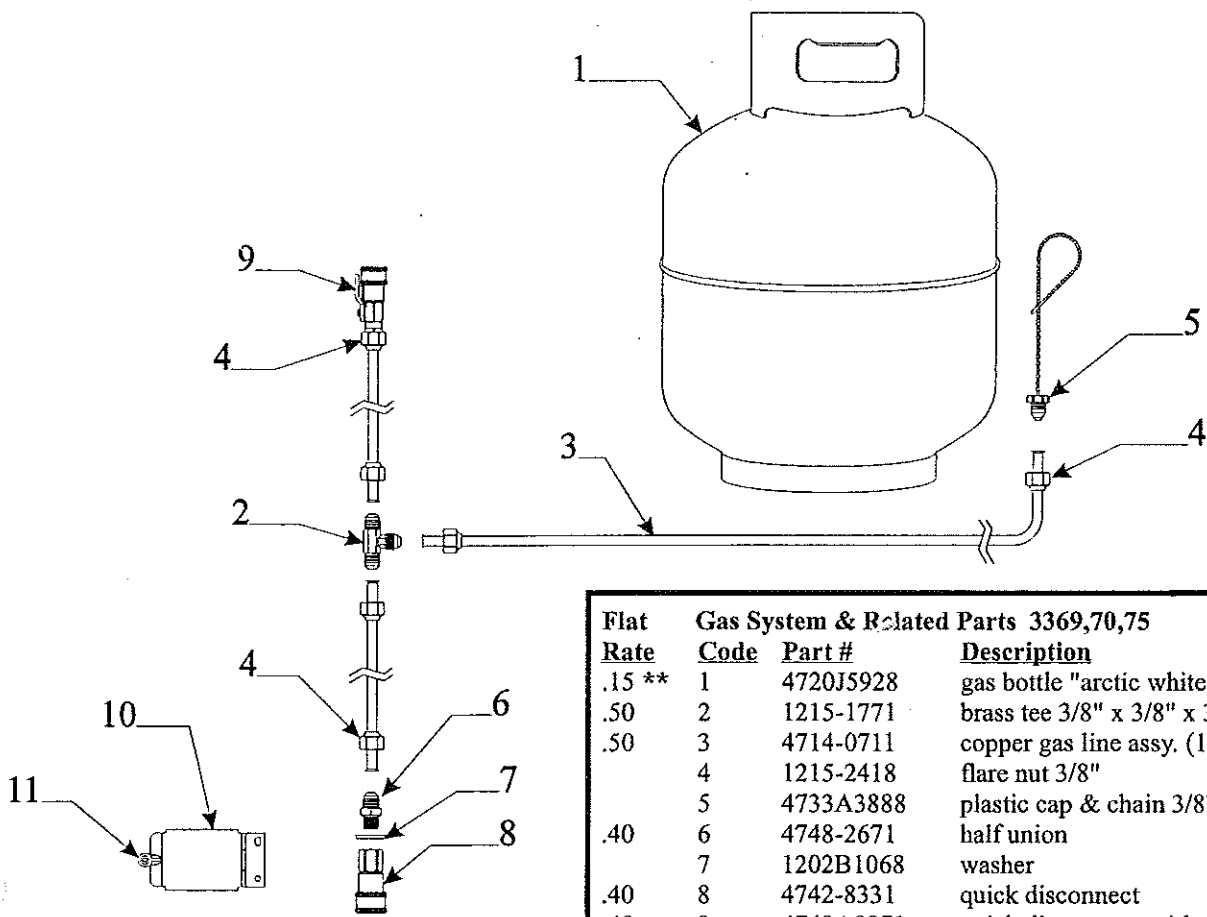
1999 DESTINY series REPAIR PARTS



4754A85281 Parts Package 3369 Santee,3370 Redwood
4747E5871 Parts Package 3375 Taos

Flat Rate	Parts Package Code	Component Part #	Description
	1	4749A9601	29" tow chain m2
	2	4735F6741	pigtail 6 prong 3369,3370
		4735D6691	pigtail 4 prong 3375 Taos
	3	4747A5891	spare tire mount
	4	4751-9571	round regulator cover
	5	4734C3781	regulator cover
.45	6	4739B1291	regulator (low pressure)
	7	4749-1861	stabilizer handle
	8	4732A4791	safety pin m10
	9	4771-2631	hitch pin m5
	10	4730B3211	key m10 # 8025 (gold plated)
	11	4747F4141	crank handle
	12	4733F6281	gas bottle mounting brkt. pkg.
			Note: pkg. includes (2) brkt.'s ,wing nuts,washers
	13	1202B0468	washer x2 m10
	14	1201-6258	wing nut x2
.45	15	4733A3991	gas hose

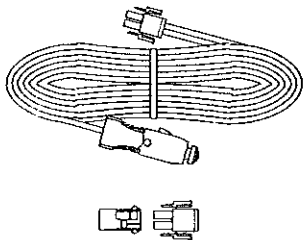
1999 DESTINY series REPAIR PARTS



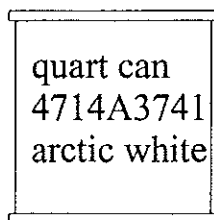
Gas System & Related Parts 3369,70,75			
Flat Rate	Code	Part #	Description
.15 **	1	4720J5928	gas bottle "arctic white"
.50	2	1215-1771	brass tee 3/8" x 3/8" x 3/8"
.50	3	4714-0711	copper gas line assy. (100")
	4	1215-2418	flare nut 3/8"
	5	4733A3888	plastic cap & chain 3/8"
.40	6	4748-2671	half union
	7	1202B1068	washer
.40	8	4742-8331	quick disconnect
.40	9	4749A9971	quick disconnect w/shut-off valve
.20	10	4752-5831	quick disconnect cover & hinge
	11	4716-9411	strike, washer & screw pkg.

** Serial Number Of Gas Bottle Must Be Supplied When Submitting Warranty

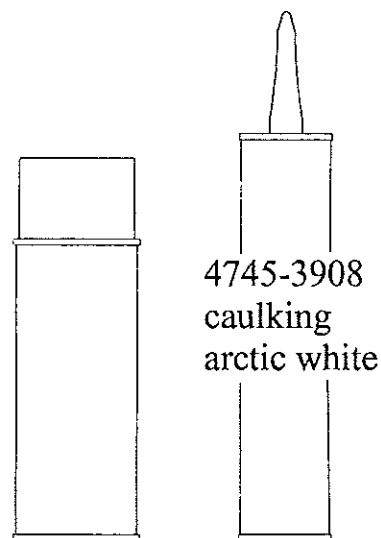
4733D6701 auto extension



4716A4071 12 volt cap & plug m2



quart can
4714A3741
arctic white



4745-3908
caulking
arctic white

16 oz. spray
0008-2561 arctic white
0008B2471 black

1999 DESTINY series REPAIR PARTS

Cushion/Backrest Assemblies & Covers 3369,3375

Flat Rate .10 Assembly - .25 Cover

Cushion Button x2 - 4710-2681 m5

Model	Cushion Assembly	Cushion Cover	Model	Backrest Assembly	Backrest Cover
3369,3370	4756B5571	4716B5571	3369,3370	4756B5561	4714B5561
3375 Taos	4749J6581	4716J6581	3375 Taos	4749J6571	4716J6571

Cushion/Backrest Dimensions

Model	Cushion Assembly	Backrest Assembly
3369,3370	41" x 17" x 4"	41" x 16 3/8" x 4"
3375 Taos	40 5/8" x 19 1/2" x 4"	41" x 16 3/8" x 4"

Drape Package (Less Valance Pkg.) 3369,70,75

Model	Drape Pkg.	# Of Panels	Flat Rate
3369 Santee	4757-6481	5	.30
3370 Redwood	4755A2961	4	.30
3375 Taos	4724J8361	4	.30

Drape Tab C-Shape m60 - 4750-2891 Flat Rate - .05

Privacy Curtain Pks. (Set of 2 Panel)

.15 4723E7931 - 3369,3370
.15 4723K7881 - 3375

Single Drape Panel W/Safety Straps

.15 4716-8711 Single Drape Panel 43" x 45" - 3369
.15 4716-8751 Single Drape Panel 53" x 45" - 3370
.15 4716A8721 Single Drape Panel 35" x 45" - 3369,3370
.15 4716-8731 Single Drape Panel 48" x 48 1/2" - 3375 Taos
.15 4716-8741 Single Drape Panel 35" x 48 1/2" - 3375 Taos

Drape Tie Package (Qty. 1) - 4753C9791 (all) Flat Rate - .05

Valance Package - 4757-6491 - 3369 Santee

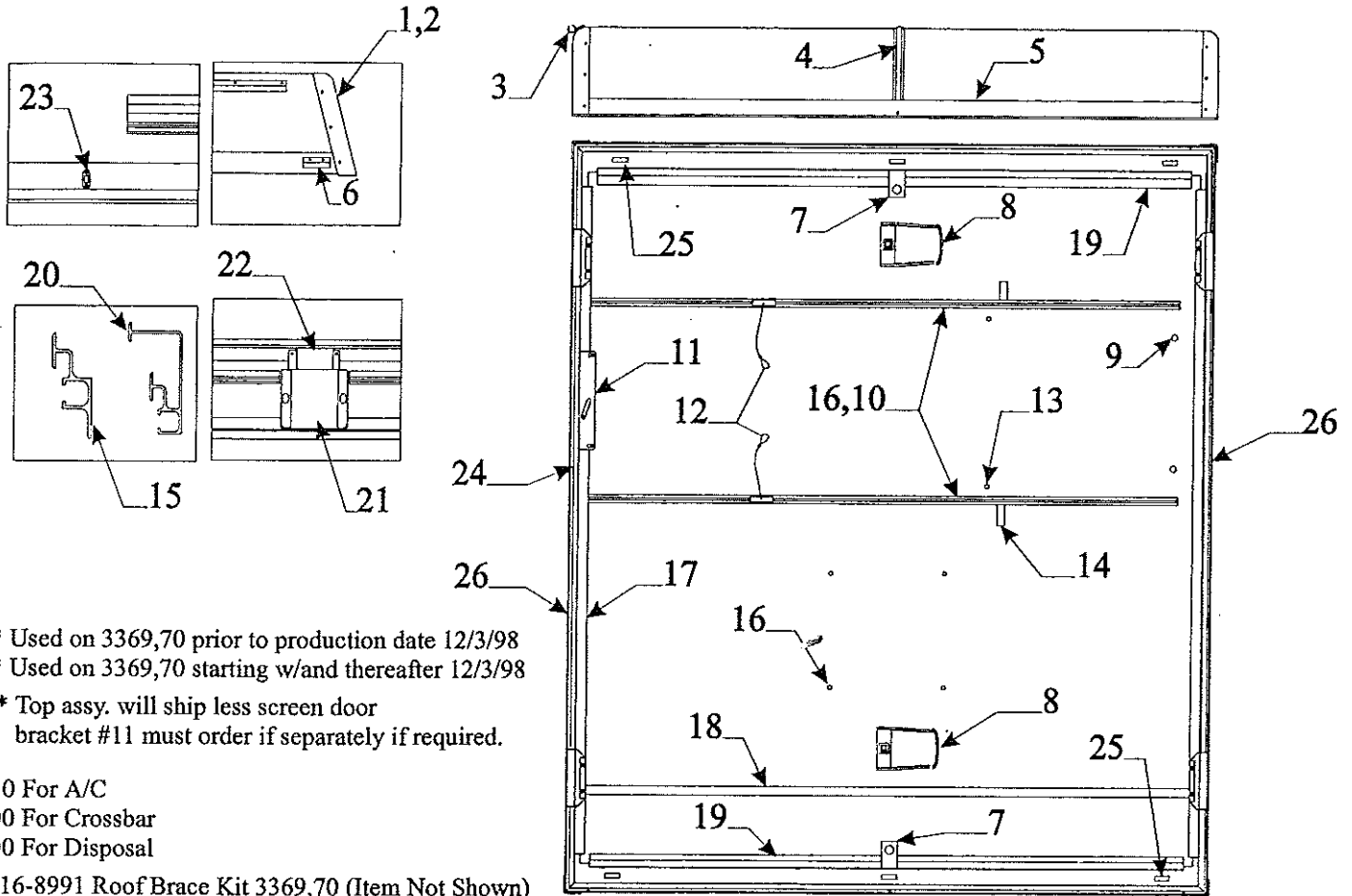
4755A2761 - 3370 Redwood

Flat Rate - .25 4755A2751 - 3375 Taos

Flat Sunbrella Tenting & Components 3369,70,75

Flat Rate	Code	Part #	Description
.40	1	4757-6431	front boot 3369,3370
.40		4747E65391	front boot 3375 Taos
.40	2	4756-6081	rear boot 3369,3370
.40		4747E65391	rear boot 3375 Taos
.20	3	4757-6441	large window 3369 Santee
.20		4756A58691	large window 3370 Redwood
.20		4747F65091	large window 3375 Taos
.20	4	4757-6451	small window 3369 Santee
.20		4756A5871	small window 3370 Redwood
.20		4747F65291	small window 3375 Taos
.15	5	4757-6461	door seal 3369 Santee
.15		4756A5881	door seal 3370 Redwood
.15		4748D66391	door seal 3375 Taos
	6	8119901429	top vinyl (sold/yard)
	7	4716C0851	sunbrella patch package (12" x 14")
	8	6650500130F	zipper (sold/yard) used around window
		1225-4461	zipper pull m5
	9	8118801450P	bottom vinyl facing pkg. (3 yd. x 80")
	10	4714E1611	screen package (84" x 3 yards)
		4714A0361	screen package (84" x 13 yards)
	11	4350000009P	1" velcro hook (10' pc. pkg.)
	12	4716-2401	clear window vinyl (41" x 2 yards)
	13	1225G3768	45 1/2" side zipper pin half 3369,3370
		1225G3758	45 1/2" side zipper slider half 3369,3370
		1225-3658	52" side zipper pin half 3375 Taos
		1225-3668	52" side zipper slider half 3375 Taos
.50	14	4060000045F	shock cord (sold/foot)
.50		4714B6021	shock cord & crimps m2 (two 14' lengths)
		4724-2011	shock cord crimps m10
	15	4060000024F	arrowhead seal (sold/foot)
.30	16	4735D6721	extension harness 3369,3370
.30		4757-6101	extension harness 3375 Taos
.50	17	4743-1588	k-kote seam sealer
	18	4728-5641	tent retainer pkg.

1999 DESTINY series REPAIR PARTS



* Used on 3369,70 prior to production date 12/3/98
 ** Used on 3369,70 starting w/and thereafter 12/3/98
 *** Top assy. will ship less screen door bracket #11 must order if separately if required.

1.50 For A/C
 1.00 For Crossbar
 1.00 For Disposal

4716-8991 Roof Brace Kit 3369,70 (Item Not Shown)

Flat Rate	Code	Part #	Description	Code	Part #	Description
			*** 4716U6401 Top Assembly 3369 Santee F.R. - 3.00			
			*** 4716U5101 Top Assembly 3370 Redwood F.R. - 3.00			
Flat			4716U9701 Top Assembly 3375 Taos F.R. - 4.50			
.50	1	4716U1981	top corner pkg. (pkg. of 4)	.15	12	4734D5211 screen door cable m6 (all)
		4350000058F	saturated foam tape (sold/foot)	.30	13	4730A3548 stud w/screw x2
	2	4745-3968	screw "painted"	.30	14	4723A5061 strap x2
.50	3	4728D20881	canopy track (must cut to size)		15	4756-0631 tent track (frt./rr.) 3369,70
1.00	4	4754-981	center seam (must cut to size)			4747A1271 tent track (frt./rr.) 3375
		4060400096F	vinyl screw cover (sold/foot)		16	1103E1018 screw stainless steel
		4741-3508	hex head screw	.20	17	1203-9258 plastic accordion rivet m25
		4350000058F	saturated foam tape (sold/foot)			4741H18681 side cove x2 (must cut to size)
.50	5	4756-0681	frt./rr. top seal extrusion 3369,70			4747-2558 expansion rivet m25
		4741E21381	frt./rr. top seal extrusion 3375		18	4350400004F vinyl tape (sold/foot)
.15	6	4750-9581	top strike m2 (all)		19	4756A0671 cove (front/rear) 3369,70
		4744C2461	torx head screw "painted" m2			4741G21481 cove (front/rear) 3375
		1201B6958	nut (x2 per strike)	.30	20	4747-2558 expansion rivet m25
.15	7	4741F11381	tent support brkt.	.20	21	4747D5521 lift pocket cover x4 (all)
		4741C9368	screw "painted" x2			4741D3558 hole plug x2
.15	8	4737H5911	single dome light			4350000005F velcro loop (sold/yard)
		4714H0891	dome light lens	.25	22	4741B5431 lift pocket x4
		1103B1028	screw x4	.15	23	1201B6378 lock nut (x2 per pocket)
	9	4737-3211	rubber button m8			4750-2978 latch x2
.30	10	4733H47181	screen door track x2 (all)	.50	24	1203-8951 rivet m25
		4744B4611	expansion rivet m25		25	4060000399F rubber top seal (40' package)
.20	11	* 4749A5571	screen door bracket	.75	26	4724F2631 velcro hook m6
		** 4749C5571	screen door bracket	.75		4754-9801 top seal extrusion x2 3369
		4747-2558	expansion rivet m25	.75		4756-0701 top seal extrusion x2 3370
		4749-2138	snap button m2	.75		4747C1291 top seal extrusion x2 375
		1203-8631	rivet m25			