

1998 DIRTINNY series
REPAIR PARTS

and

FLAT LABOR RATE SCHEDULE

3270 REDWOOD

3275 TAOS

3251 RIO

3281 NATCHEZ

3288 SEA PINE

3289 SANTA FE

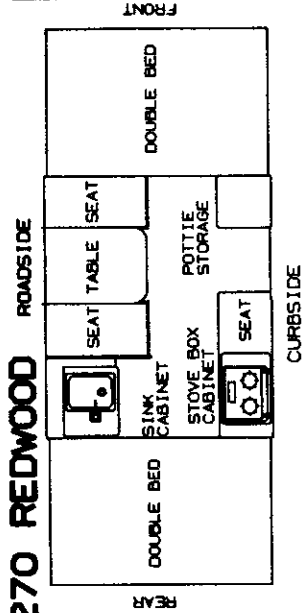
3291 MESA

3294 WEST LAKE

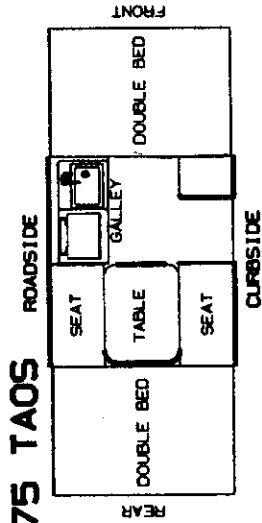
3296 CHEYENNE

DESTINY SERIES

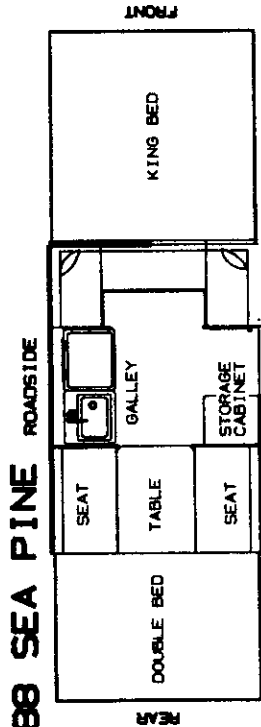
3270 REDWOOD



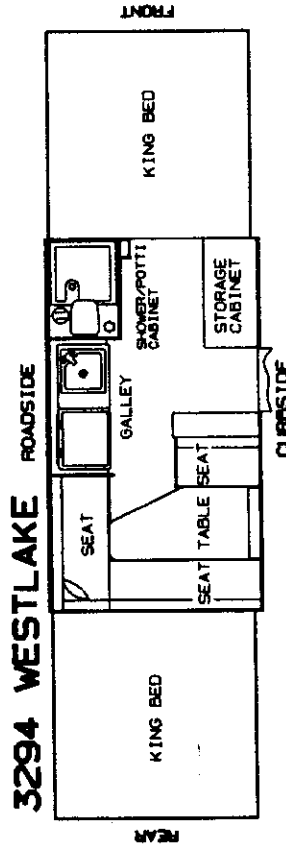
3275 TAOS



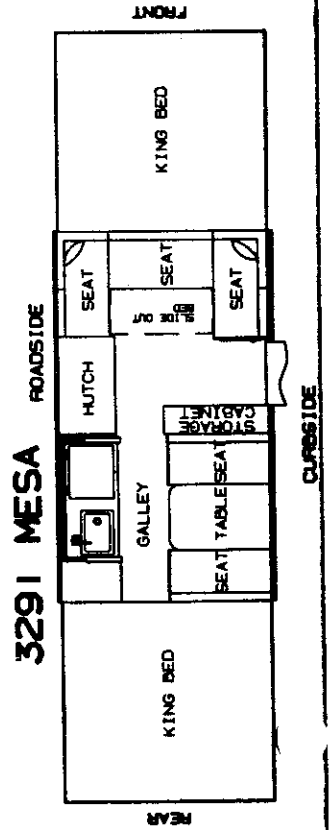
3288 SEA PINE



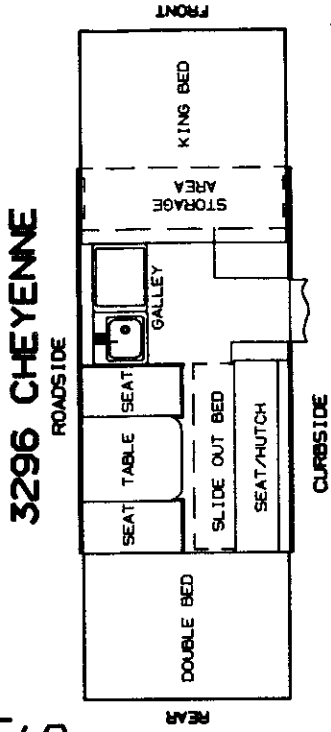
3294 WESTLAKE



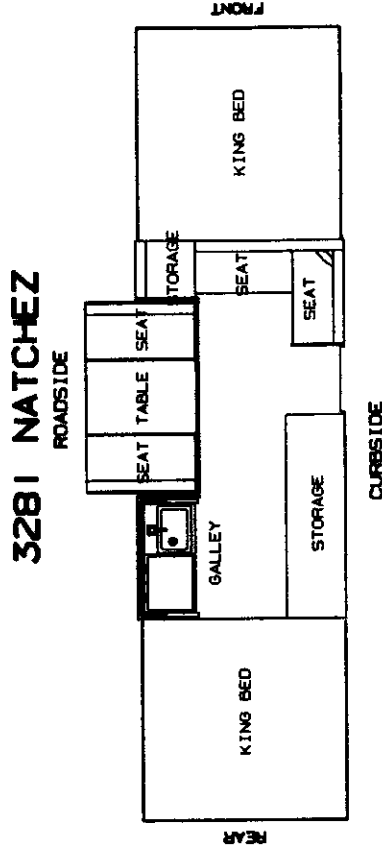
3291 MESA



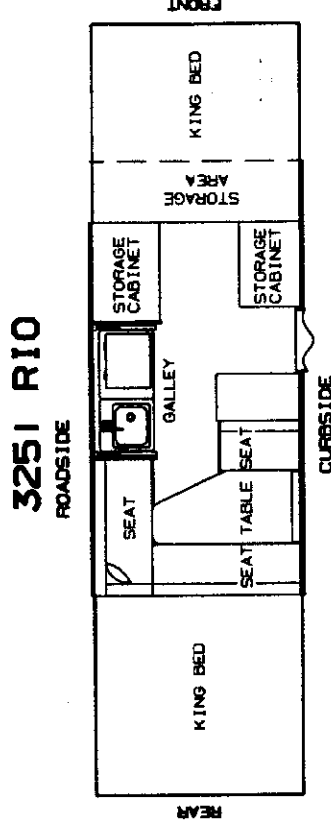
3296 CHEYENNE



3281 NATCHEZ



3251 RIO



3289 SANTA FE

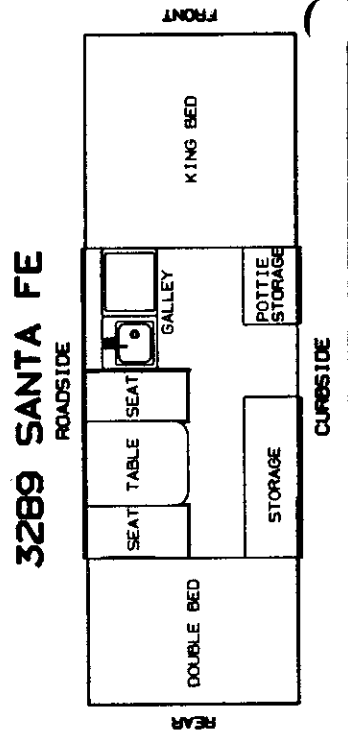


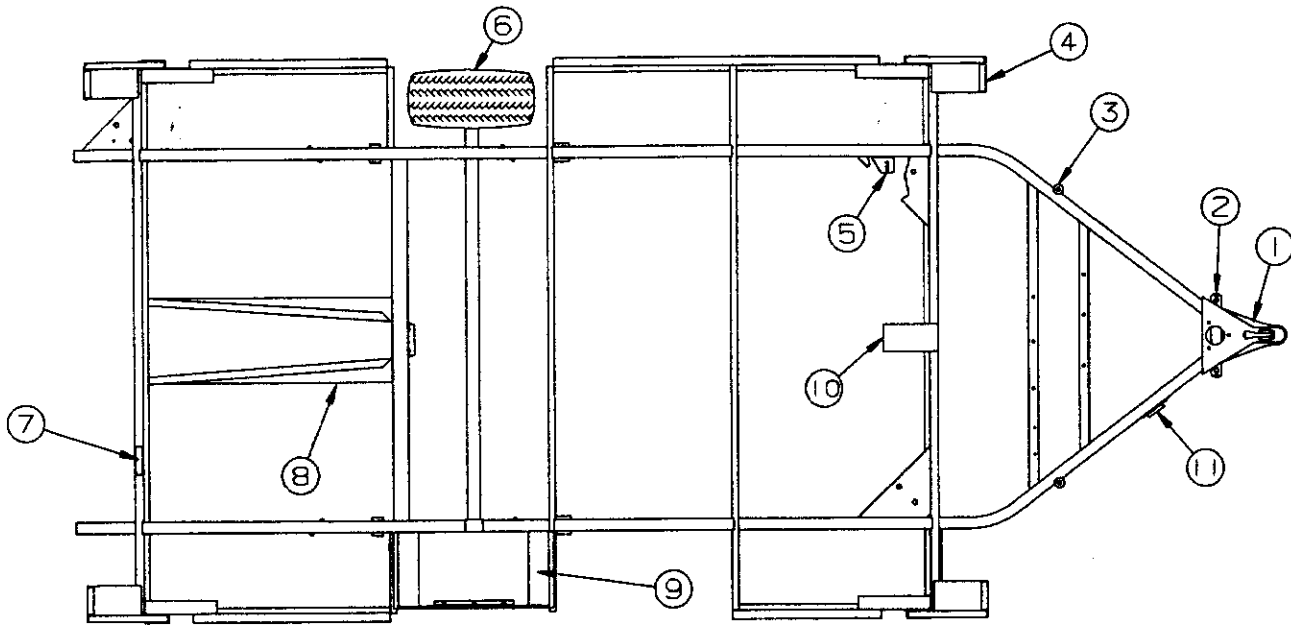
TABLE OF CONTENTS

DESCRIPTION	PAGE NUMBER
Access door key	32
Access door assembly & related parts	9
Auto extension	29
Axle assemblies & related parts	5
Backrest assemblies & covers	34, 35
Bed assembly (all except 3270)	28
Bed extensions & related parts	28
Bed assembly, 3275	30
Body panel (rs glideout 3281)	10
Body panel right rear (curbside)	8
Body panel left side (roadside)	8
Body panel front/rear & component parts	7
Body panel right front (curbside)	8
Body panel front storage area 3251, 3296	6
Bumper & related parts	7
Cabinet assembly (rsf corner) 3281	22
Cassette potti cabinet	20
Caulking	29
Converter & related	26
Cooler (Built in Cooler related parts) 3275	14
Cooler (Built in Cooler)	16, 17, 18, 22
Cooler (Cooler Drawer) 3288, 3291	33
Corner bulkhead assembly	2
Coupler assembly	2
Crank up/crank down component parts	4
Crank handle	9
Cushion assemblies & covers	34, 35
Door bulkheads	8
Drain hose & used on sink assembly)	13
Draper packages	35
Drawer assembly components	26
Electric brakes & related parts	5
Electric brake package	5
Fire extinguisher	21
Fire extinguisher strap	21
Floor covering (6610707225P - 7 1/2' x 14' pc)	1
Frame assembly & related parts	2
Galley rest	13
Gas detector	27
Gas hose (gas bottle)	32
Gas bottle mounting bracket	32
Gas quick disconnect (outside stove)	33
Gas bottle & related parts	33
Grease cap (dust cap)	5
Hub assembly & related parts	5
Hutch/Seat, curbside, 3270	20
Hutch/Seat assembly & related parts 3296	21
Hutch assembly, 3289	21
Hutch assembly 3281	22
Lift assemblies & related parts	3
Lift trim & miter covers	8
Lower galley assembly 3288	17
Lower galley assembly 3251, 3294	18
Lower galley assembly 3270	13
Lower galley assembly 3291	19
Lower galley assembly 3281	15
Lower galley assembly 3275	14
Lower galley assembly 3289, 3296	16
Mattress assemblies & covers	29
Outside shower components 3294	12
Paint (spray & quart cans)	29
Paneling & trim	27

Parts packages & components	32
Pigtail (car end)	2, 32
Potti (cassette) 3294	20
Power cord (converter)	26
Quick disconnect cover assembly	33
Quick disconnect (gas)	33
Receptacle (ground fault)	26
Receptacle (outside)	8
Refrigerator vents	11
Regulator & fitting	32
Safety chains	32
Screen door & jamb assemblies	31
Seat component parts	27
Shower stall 3294	20
Shower head & hose	20
Shower curtain rod 3294	41
Shower cover board 3294	38
Shower curtain	35
Sink & related parts	13
Spare tire mount package	32
Stabilizer assembly	2
Stabilizer handle	32
Storage cabinet	23, 24, 25
Storage box compartment 3251, 3296	6
Stove cabinet box assembly 3270	20
Stove (lift out stove)	12
Sunbrella tenting assembly & related parts	39
Table assemblies & related parts	38
Taillights (rear body panel)	7
Tent support assemblies & related parts	29
Thrust nut	4
Tie backs (curtains)	35
Tire & rim	2
Tongue jack & related parts	4
Top assemblies & related parts ABS Tops	41
Top assemblies & related parts 3270, 3275	40
Upper galley assembly 3281	15
Upper galley assembly 3289, 3296	16
Upper galley assembly 3275	14
Upper galley assembly 3251, 3294	18
Upper galley assembly 3291	19
Upper galley assembly 3270	13
Upper galley assembly 3288	17
Valance packages	35
Water system & related parts 3291, 3288, 3289, 3296	36
Water tank 10 gallon 3291, 3289, 3296	37
Water tank portable 3275	37
Water system & related parts 3281, 3294	36
Water pump & related parts	12
Wheel well	2
Whiffletree & related parts	3
Zipper (Sunbrella tent assemblies)	39

Axle - Dexter	219/295-1900
Cassette Potti - Thetford	800/521-3032
Converter - Magnetek	219/356-7101
Furnaces - Hydro Flame #7916-11 Model	800/831-7531 U.S.
Furnaces - Hydro Flame	800-831-7531 Canada
Hand Pump - Shurflo	800-762-8094
Mix Faucet - Keuco	219/262-2531
Range - Atwood Greenbrier	800/646-8557
Refrigerator - Norcold	800/543-1219
Tires - Duro	800/966-8473
Water Heater - Suburban	423/775-2131

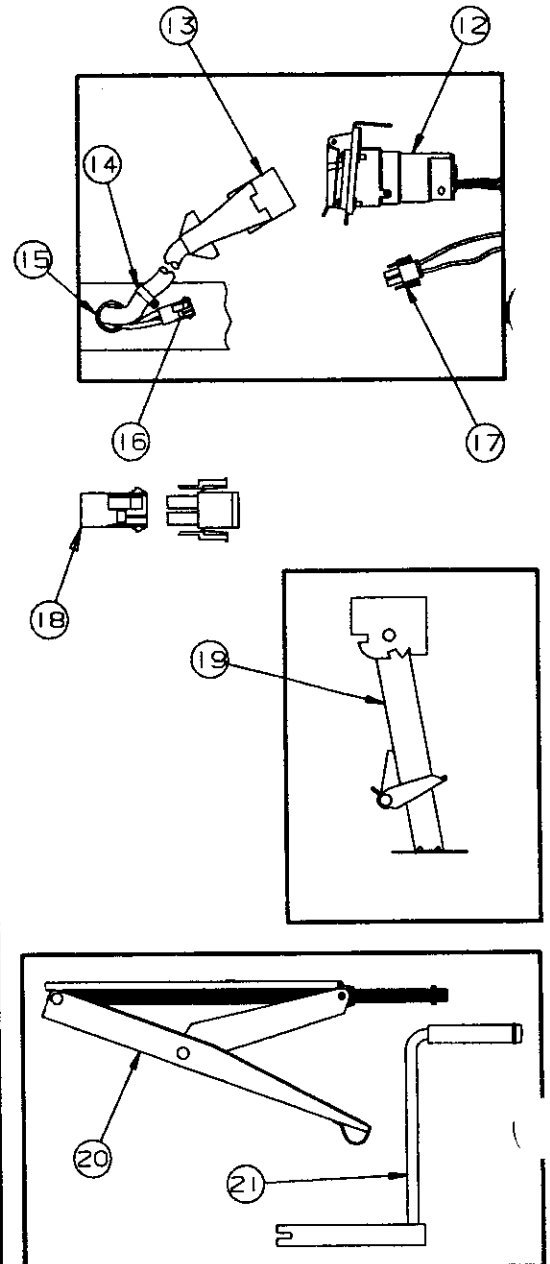
1998 DESTINY SERIES



FLAT RATE

MAIN FRAME ASSEMBLY COMPONENT PARTS

1.00	①	4742-2001	2" COUPLER ASSEMBLY
.25		4714A2211	2" COUPLER REPAIR KIT
.75	②	4748-6611	CHAIN BAR W/PINS (3281,88,89,91,94)
.75		4720A3561	CHAIN BAR (3270,3275,3251,3296)
.10	③	4747-8941	PIN COVER M2 (PLASTIC)
2.00	④	4757-5031	CORNER BULKHEAD CSF/RSR (3270)
2.00		4757-5041	CORNER BULKHEAD CSR/RSF (3270)
2.00		4747A5501	CORNER BULKHEAD CSR/RSF (3275)
2.00		4747A5511	CORNER BULKHEAD RSR/CSF (3275)
2.00		4754A6221	CORNER BULKHEAD CSR/RSF (ALL EXCEPT 3270,75)
2.00		4754A6211	CORNER BULKHEAD RSR/CSF (ALL EXCEPT 3270,75)
		NOTE: 4754A6221/4754A6211 USED ON REAR ONLY 3251,96	
2.00		4754A6231	CORNER BULKHEAD CSF 3251,96
2.00		4754A6241	CORNER BULKHEAD RSF 3251,96
.75	⑤	4732C3678	ADJUSTABLE PULLEY BRKT. x4
.25		4715A5371	PULLEY & BEARING M10
		4720C1578	SHORT PIN M4
		1204B1081	COTTER PIN M10
.25	⑥	4754-1558	TIRE & RIM 12" LOAD RANGE "C" (3270,75)
.25		4753-8168	TIRE & RIM 13" LOAD RANGE "C" (3288,81,89,91,96)
.25		4753C8168	TIRE & RIM 13" LOAD RANGE "D" (3251,94)
1.00	⑦	4754A5101	SPARE TIRE MOUNT (ALL EXCEPT 3270,75)
1.00		4754B5101	SPARE TIRE MOUNT (3270 ONLY)
.25	⑧	4752B4921	WHIFFELTREE PAN COVER (ALL EXCEPT 3275)
		4744-050	HEX HEAD TEK SCREW x6
2.00	⑨	4747A4161	WHEEL WELL ASSEMBLY x2 (3275)
2.00		4754B0531	WHEEL WELL ASSEMBLY x2 (ALL EXCEPT 3275)
2.00	⑩	4747-5101	SPARE TIRE MOUNT (3275)
.75	⑪	4720A3331	JACK BRACKET
	⑫	473506691	PIGTAIL - 4 PRONG (3275) "CAR END"
		4735F6741	PIGTAIL 6 PRONG (3270 ONLY) "CAR END"
		4746A5591	PIGTAIL "BARGMAN" (ALL EXCEPT 3270,75) "CAR END"
	⑬	4754B6021	WIRE HARNESS (3270)
		4747A5611	WIRE HARNESS (3275)
		4753A375	WIRE HARNESS (ALL EXCEPT 3270,75)
.35	⑭	4742-8961	BRAIDED NYLON SLEEVE
		1201-8738	CLAMP
	⑮	4742-8108	1 1/4" SNAP BUSHING
	⑯	4716-5001	12 VOLT POWER HARNESS
	⑰	4749A5531	12 VOLT WIRE HARNESS (CONNECTS TO BATTERY)
	⑱	4716-4701	12 VOLT CAP & PLUG M2
.25	⑲	4720D0731	STABILIZER ASSEMBLY (3270,75)
		4739-2298	NUT (2 PER STABILIZER)
.25	⑳	4751A3351	STABILIZER (SCREW DOWN) x4 ALL EXCEPT 3270,75
		4751-8208	TAPPING SCREW (x3 PER STABILIZER)
	㉑	4747F4141	CRANK HANDLE

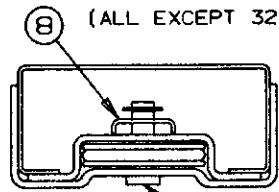


REPAIR PARTS/FLAT RATE

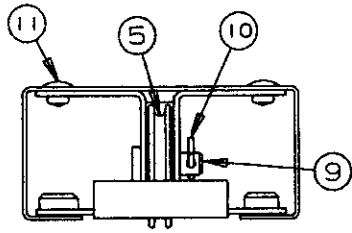
3275 TAOS .75 4716A0011-LIFT ASSY.ROADSIDE REAR/CURBSIDE FRONT
 .75 4716A0021-LIFT ASSY.ROADSIDE FRONT/CURBSIDE REAR

(ALL EXCEPT 3275) MODELS .75 4751B6371-LIFT ASSY.ROADSIDE REAR/CURBSIDE FRONT
 .75 4751B6381-LIFT ASSY.ROADSIDE FRONT/CURBSIDE REAR

FLAT RATE	LIFT ASSEMBLY COMPONENT PARTS	
1.00	① 4720C5271	CABLE ASSEMBLY x2 M2 3275
1.00	4720D5271	CABLE ASSEMBLY x1 M2 ALL EXCEPT 3275
	4720C1691	CABLE CRIMP M20
1.00	② 4753-3391	LONG CABLE ASSY. 250" M2
	4744-1318	COPPER CABLE CRIMP M10
1.25	③ 4731C5801	BUTTERFLY BRKT. ASSY.
	④ 4749-2081	SCREW x3 M6
.45	⑤ 4715A5371	STEEL PULLEY & BEARING x4 M10
.25	⑥ 4747-8931	LONG PIN x2
	4730B0981	RETAINING RING M12
.25	⑦ 4749-4061	PIN SHORT x1 M4
	4730B0981	RETAINING RING M12
.25	⑧ 4749A2028	RETAINING CLIP
1.25	⑨ 4720C1578	LIFT PIN x1
	⑩ 1204B1081	COTTER PIN M10
	⑪ 1203-8641	RIVET x4 M25

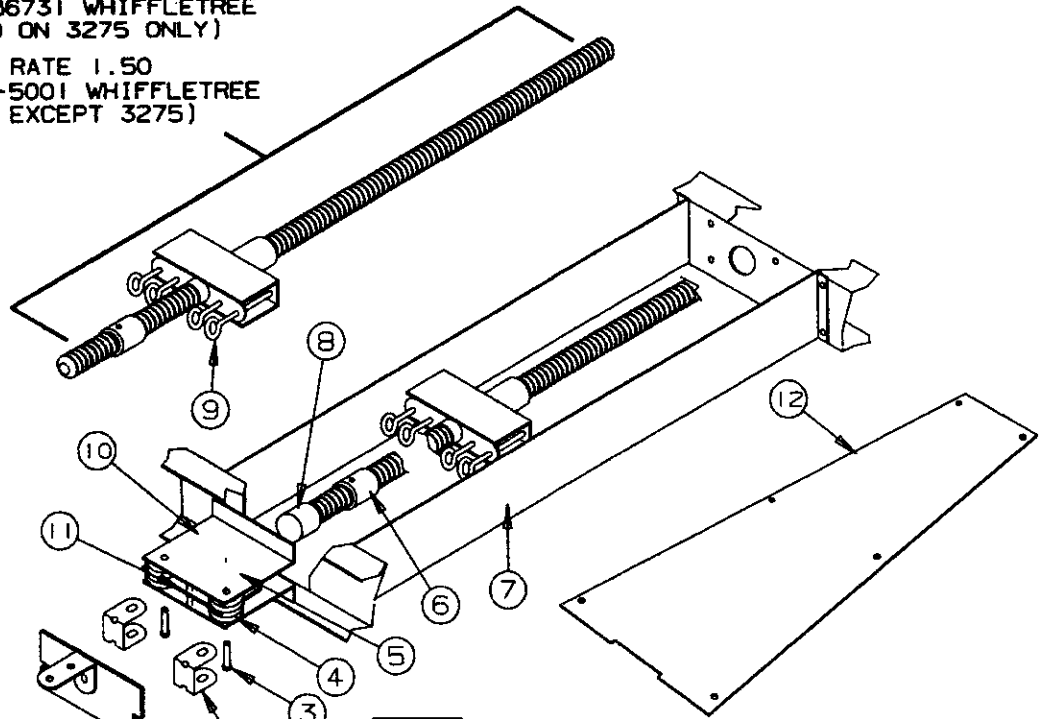


TOP VIEW OF LIFT

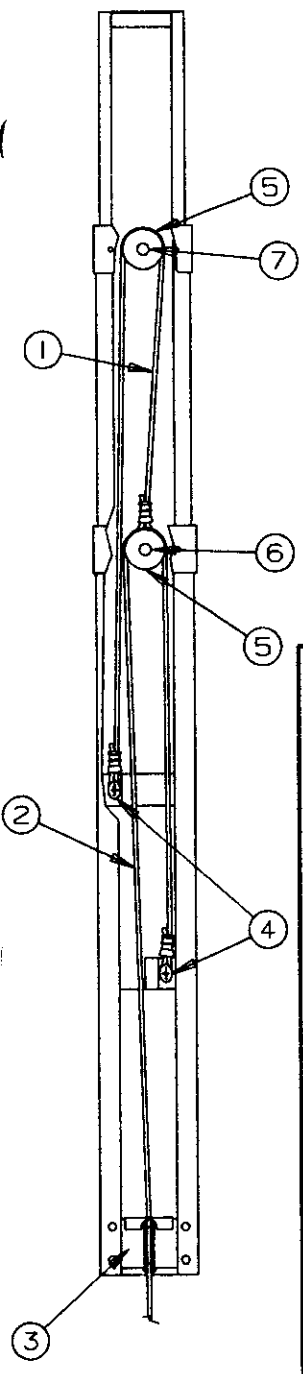


BOTTOM VIEW OF LIFT

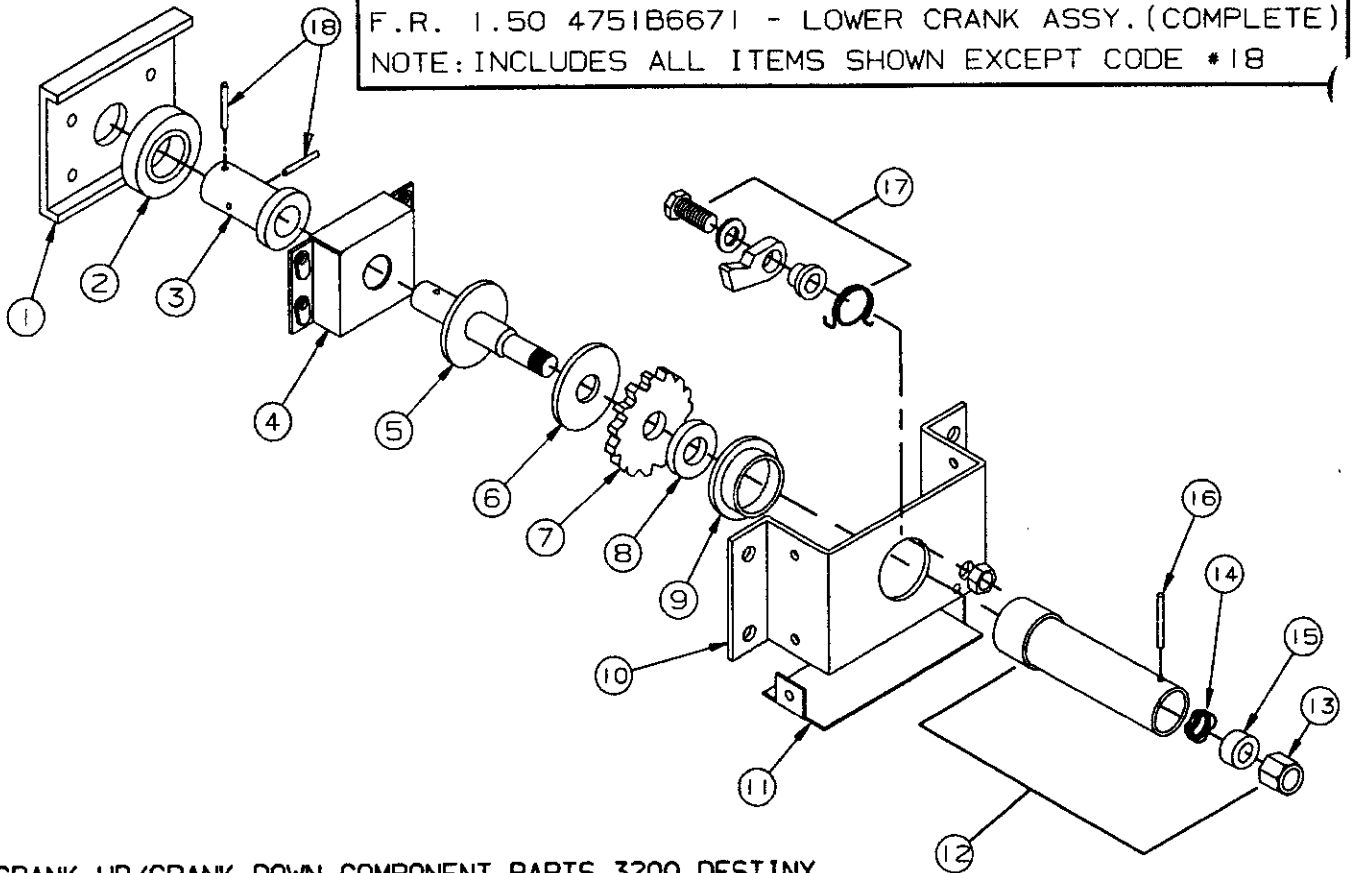
FLAT RATE 1.50
 4749B6731 WHIFFLETREE
 (USED ON 3275 ONLY)
 FLAT RATE 1.50
 4754-5001 WHIFFLETREE
 (ALL EXCEPT 3275)



FLAT RATE	WHIFFLETREE COMPONENTS	
.15	① 4749A821	MUD FLAP & BRKT.
.50	② 4744A1748	CABLE RETAINER x2
.20	③ 4720J1561	LONG PIN x2 M4
.50	④ 4715A5371	PULLEY & BEARING x4 M10
.10	⑤ 1204B1081	COTTER PIN x2 M10
1.60	⑥ 4710B4248	BUSHING
	4749-409	ROLL PIN
1.25	⑦ 4720E2371	GUIDE CHANNEL (3275)
	4738A0898	HEX BOLT x8
	1201B6038	HEX NUT x8
2.00	⑧ 4730D1291	SCREW SOCKET
1.25	⑨ 4744-44561	EYE BOLT M4 (3275)
1.25	4744A4451	EYE BOLT M4 (ALL EXCEPT 3275)
	1201B6028	LOCKNUT 5/16"
2.00	⑩ 4720-1551	PULLEY PLATE
.50	⑪ 4715C5661	PULLEY SPACER
.25	⑫ 4752B4921	PAN COVER (ALL EXCEPT 3275)



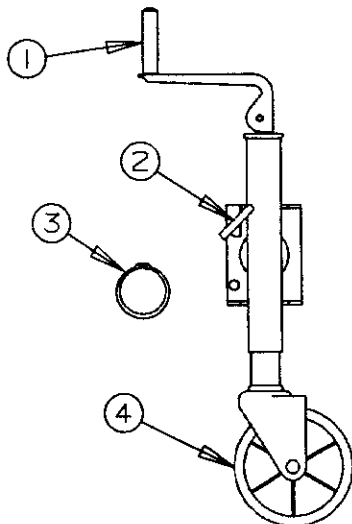
1998 DESTINY SERIES



FLAT
RATE

CRANK UP/CRANK DOWN COMPONENT PARTS 3200 DESTINY

	① 4750A9261	PLATE	.30	⑪ 4751-3721	HOUSING COVER PLATE x2
1.50	② 4720A2421	THRUST NUT BEARING		1203-8641	RIVET M25
1.50	③ 4751B3671	THRUST NUT	.75	⑫ 4716A1741	DRIVE HUB EXTENSION PKG.
1.50	④ 4750A9251	BEARING HOUSING		NOTE: PACKAGE INCLUDES PARTS MARKED W/ASTERISK (*)	
	4738A0898	HEX BOLT x4		⑬ 4751-3551	5/8" NUT
1.50	⑤ 4751-3701	DRIVE SHAFT	.50	⑭ 4752-3921	HANDLE SPRING x1 M2
1.00	⑥ 4751-3561	PRESSURE PLATE	.50	⑮ 4751-4671	NYLON WASHER x1
1.00	⑦ 4751-4831	RATCHET WHEEL	.10	⑯ 4747A9451	SPIROL ROLL PIN x1 M6
1.00	⑧ 4751-3581	PRESSURE WASHER	.60	⑰ 4716-1221	RATCHET PAWL PKG.
.80	⑨ 4751-3591	SHAFT BUSHING	1.00	⑱ 4744A1301	SHEAR PIN x1 M10
.70	⑩ 4751A3691	CRANK HOUSING			
	4731-3878	HEX HEAD BOLT x4			
	1201B6038	LOCK NUT x4			



FLAT RATE .10
TONGUE JACK ASSY. - 4720B6661

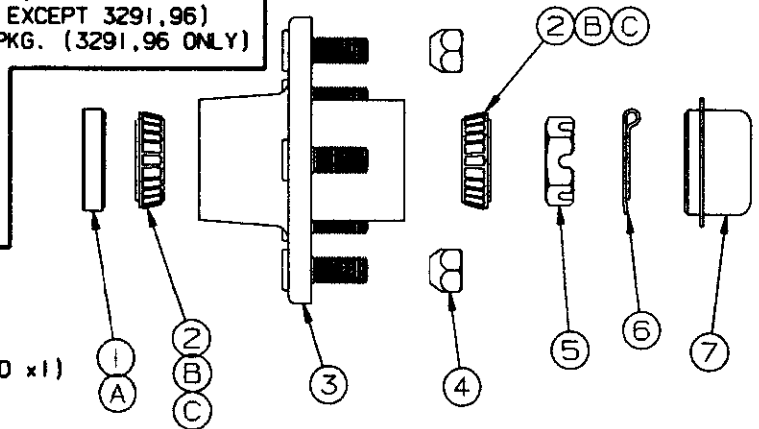
.15	① 4714-2821	JACK HANDLE KIT M2
.15	② 4714-2818	LOCKING PLUNGER KIT
.10	③ 4720A3341	SNAP RING M2
.25	④ 4716-6661	JACK WHEEL, NUT & BOLT

REPAIR PARTS/FLAT RATE

FLAT RATE

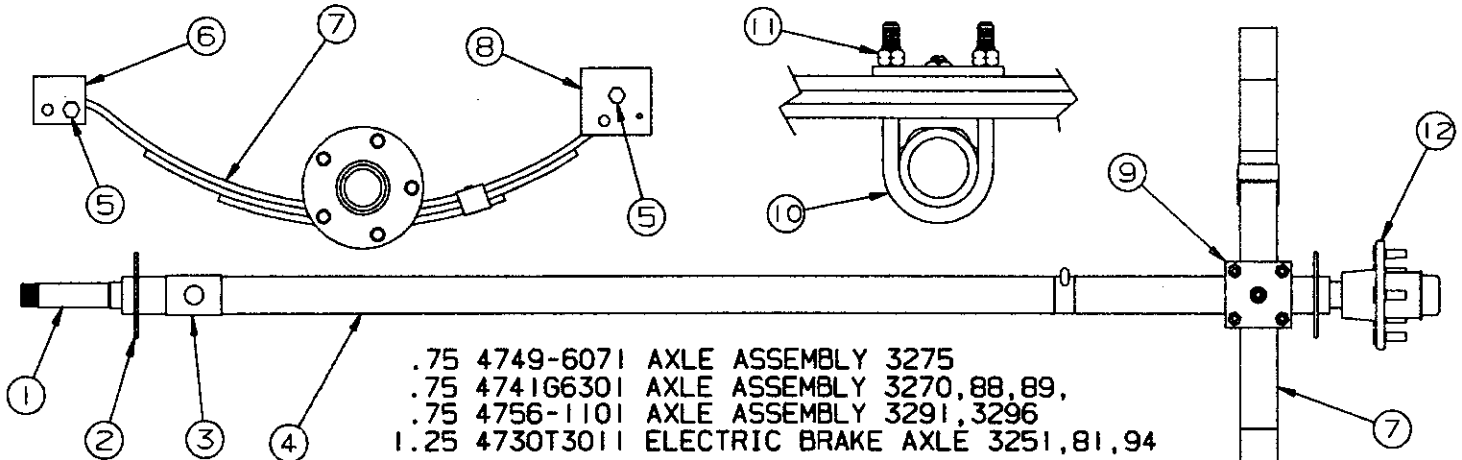
HUB ASSY. & RELATED PARTS

.50	①	4714A2201	GREASE SEAL x1 M4 (ALL EXCEPT 3291,96)
.50		4716-1441	GREASE SEAL x1 M4 (3291,96 ONLY)
.50	②	4716-1101	BEARING, RACE & SEAL PKG. (ALL EXCEPT 3291,96)
.50		4716-1451	INNER & OUTER BEARING & SEAL PKG. (3291,96 ONLY)
.30	③	4738D0451	HUB & LUG NUTS 3275
.30		4738E0451	HUB & LUG NUTS 3270,88,89,51
.30		4716-1201	HUB & LUG NUTS 3291,96
.05	④	4747A9528	LUG NUT x5 (ALL)
.10	⑤	4714-3068	SLOTTED SPINDLE NUT x1 (ALL)
.10	⑥	1204-1268	COTTER PIN x1 (ALL)
.05	⑦	4714B0621	DUST CAP x1 M4 (ALL)



CROSSOVER NUMBERS TO PURCHASE LOCALLY

①	L3194TB	GREASE SEAL (ALL EXCEPT 3291,96)
	171255VB	GREASE SEAL (3291,96 ONLY)
②	L44649	BEARING (USED x2 ON ALL EXCEPT 3291,96 USED x1)
	L68149	BEARING (3291,96) "LARGE INNER BEARING"
③	L44610	RACE (ALL EXCEPT 3291,96)



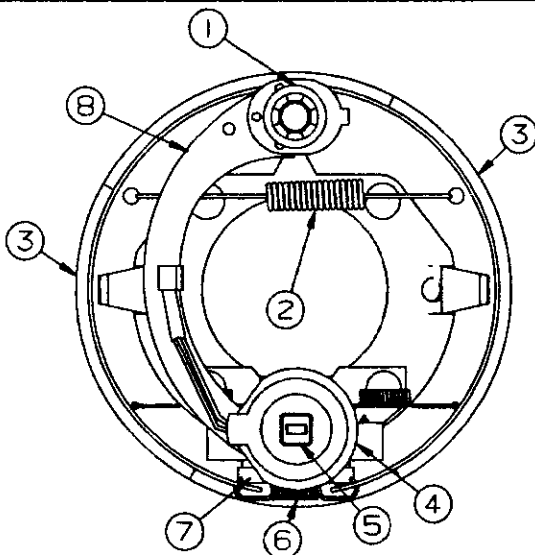
.75	4749-6071	AXLE ASSEMBLY 3275
.75	4741G6301	AXLE ASSEMBLY 3270,88,89,
.75	4756-1101	AXLE ASSEMBLY 3291,3296
1.25	4730T3011	ELECTRIC BRAKE AXLE 3251,81,94

FLAT RATE

AXLE & SPRING COMPONENTS

*PRIOR AUTHORIZATION NEEDED

*	①	4741B8491	SPINDLE		⑦	4741B3381	2 LEAF SPRING (4749-6071 AXLE ONLY)	
*	②	4741A847	BRAKE MOUNTING PLATE		.75	4735D2201	3 LEAF SPRING (4741G6301 AXLE ONLY)	
*	③	4741-8461	SPRING PAD CHANNEL M2		2.00	⑧	4741B3398	SPRING SHACKLE (FRONT)
1.00	④	4716-1571	AXLE BEAM (4749-6071 AXLE ONLY)		.50	⑨	4741-8458	U-BOLT PLATE
1.00		4741F6251	AXLE BEAM (4741G6301 AXLE ONLY)		.25	⑩	4741A8438	U-BOLT
.25	⑤	4737A1318	SHACKLE BOLT			⑪	4741-9358	U-BOLT NUT
		4741-9498	SHACKLE BOLT NUT			⑫	REFER ABOVE	FOR HUB & COMPONENTS
2.00	⑥	4741A3398	SPRING SHACKLE (REAR)					



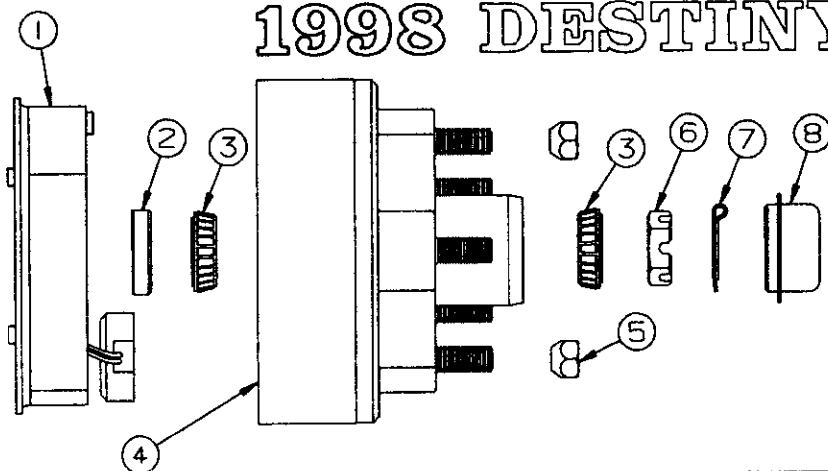
FLAT RATE .50 PER SIDE
ELECTRIC BRAKE COMPONENTS

* FOR 4714H2011 BRAKE PKG. 7 1/2"
** FOR 4714J2011 BRAKE PKG. 10"

FLAT RATE

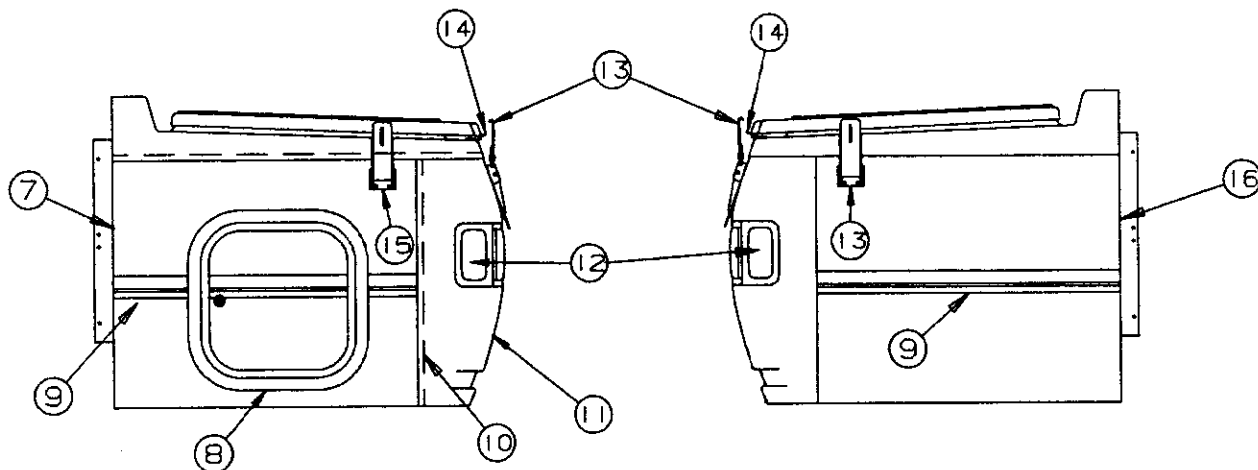
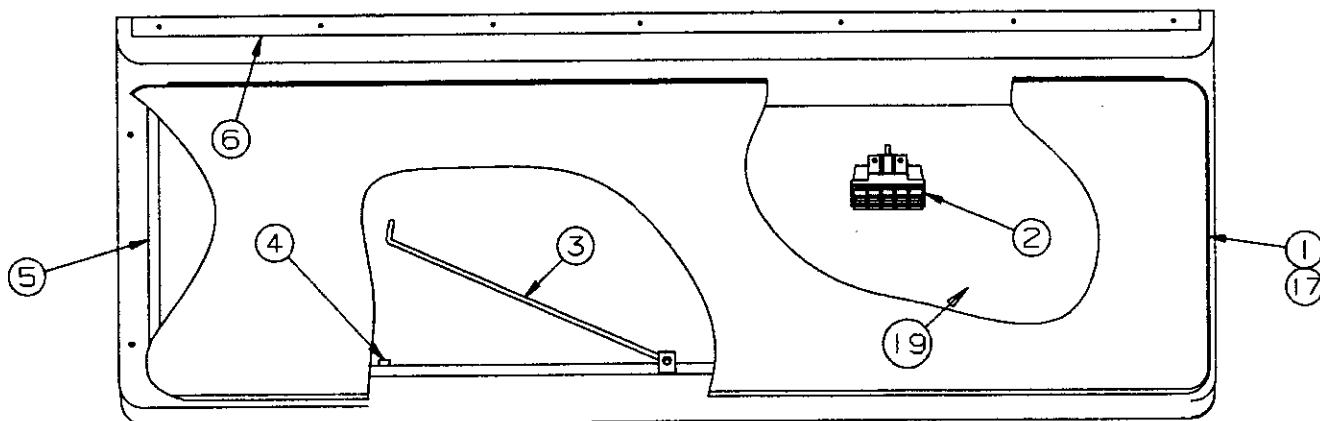
①	* 4714A2461	ANCHOR POST CLIP M2	
	* 4714A2411	RETRACTOR SPRING	
.40	③	* 4714B2071	7 1/2" BRAKE SHOES (SET)
	** 4716-2871	10" BRAKE SHOES (SET)	
.40	④	* 4714D2451	7 1/2" MAGNET, SPRING & CLIP PKG.
	** 4716-2881	10" MAGNET, SPRING & CLIP PKG.	
.30	⑤	* 4714B2471	RETAINER CLIP M2
	⑥	* 4714A2101	ADJUSTING SCREW SPRING
	⑦	* 4714A2041	ADJUSTING SCREW
	⑧	* 4714A2841	RT. & LT. LEVER ARM PKG.
.30	⑨	* 4714B2421	MAGNET HOUSING SPRING

1998 DESTINY SERIES



FLAT RATE ELECTRIC BRAKE PKG. - 4714H2011

.50	① 4733A3521	BRAKE ASSY. (RT.HAND)
.50	4733A3531	BRAKE ASSY. (LT.HAND)
.50	② 4714A2201	GREASE SEAL x2 M4
.50	③ 4716-1101	BEARING & RACE PKG.
.30	④ 4716A1071	HUB & DRUM ASSY. x2
.05	⑤ 4747A9528	LUG NUT x10
.10	⑥ 4714-3068	SPINDLE NUT x2
.10	⑦ 1204-1268	COTTER PIN x2
.05	⑧ 4714B0621	DUST CAP x2 M4

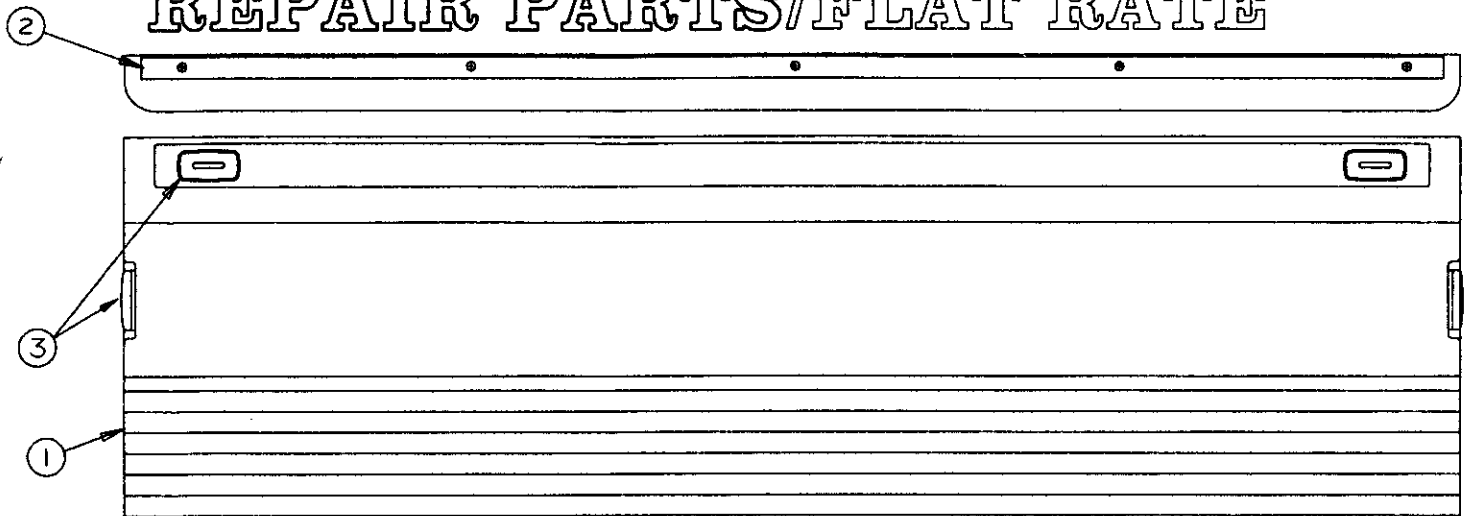


FLAT RATE

STORAGE COMPARTMENT COMPONENT PARTS - 3251,3296

1.50	① 4753D5851	LID/DECK ASSY. (COMPLETE)	.25	⑨ 4350001833F	TRIM TAPE (SOLD/FT.)
.65	4753B1301	LID HINGE	.05	⑩ 4350000026P	ABS BOX SIDE TAPE 16' PC. PKG
	1017B1018	MACHINE SCREW x13	1.50	⑪ 4754A1531	FRONT ABS BODY PANEL
	1201B6928	KEPS NUT x13	.15	⑫ 4714H08481	AMBER LENS & BASE
	4751-1551	RIVET M25	.15	⑬ 4741C6041	TOP LATCH W/OUT LOCK TAB x3
.25	② 4751-0921	CARGO LIGHT		4741A9101	TEK SCREW M10 (FRT. LATCH ONLY)
	4741D96568	RIVET x2 M25		4744B2468	MACHINE SCREW x4 (SIDE LATCH ONLY)
.15	③ 4751A1181	PROP ROD		1201B6958	KEPS NUT x4 (SIDE LATCH ONLY)
	4751-1208	PUSH NUT CAP x1	.15	⑭ 4749B1441	STRIKE x5 M2
	4751-1191	PROP ROD BRKT.		4741D96568	EXPANSION RIVET M25
.10	④ 4720A0721	COOLER CLIP M2	.15	⑮ 4715F5051	TOP LATCH W/LOCK TAB
.40	⑤ 4060000404F	DECK SEAL 18' REQUIRED		NOTE: REFER TO CODE 13 FOR MOUNTING HARDWARE	
.50	⑥ 4754B1041	FRONT END RAIL ALUMINUM	1.80	⑯ 4754D1981	RS ABS STORAGE BOX SIDE
1.80	⑦ 4754D1971	CS ABS STORAGE BOX SIDE	.40	⑰ 4060000588F	LID SEAL 12' REQUIRED SOLD/FT.
.45	⑧ 4751B0981	COMPARTMENT DOOR - LESS LOCK	1.50	⑱ 4754-2001	FLOOR SEAM DIVIDER 85 13/16"
	4734C1861	RIVET M25 TO HOLD DR. TO PNL.		⑲ 4716-1761	FLOOR COVERING 4' x 7 1/2'
	4350000026P	1/8"x3/4" BUTYL TAPE (6' PC.)			
.15	4751-8301	LOCK ASSEMBLY W/ O-RING			

REPAIR PARTS/FLAT RATE

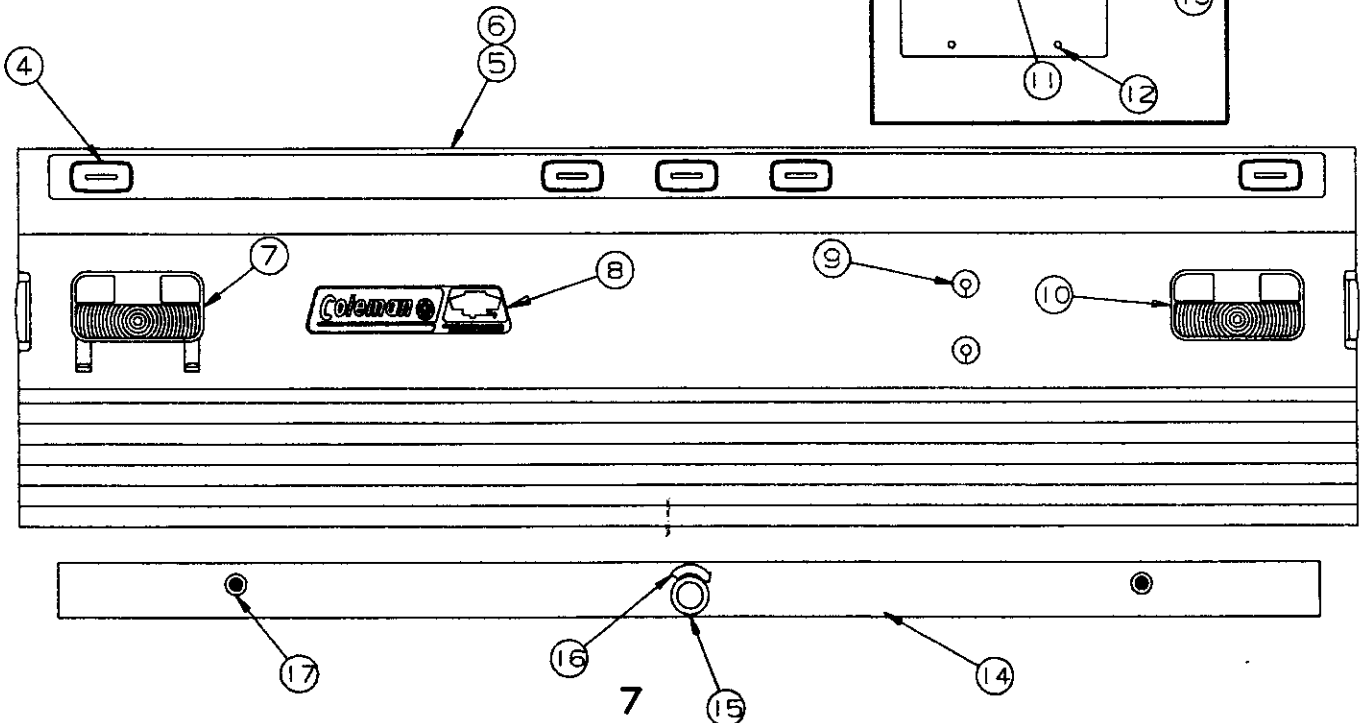
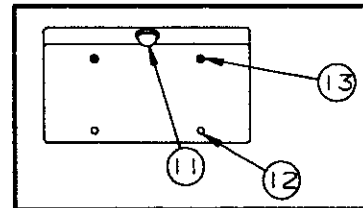


*1.50 FLAT RATE FRT. PNL./ 2.50 FLAT RATE REAR PNL.

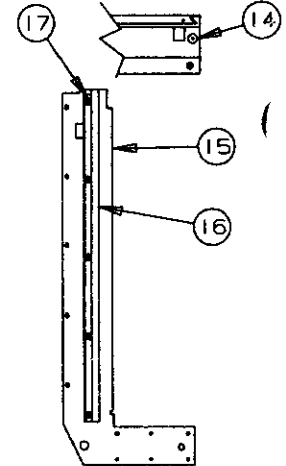
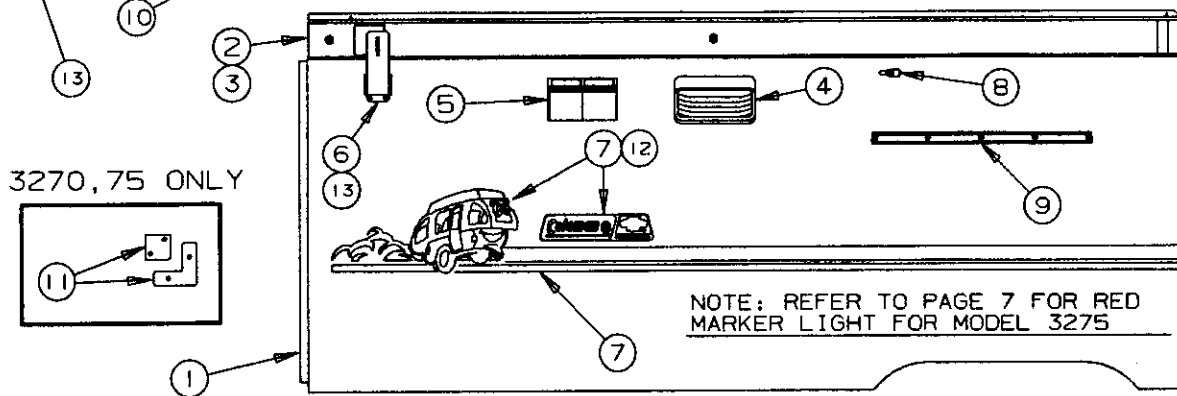
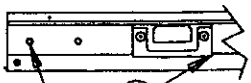
FLAT RATE

FRONT & REAR BODY PANEL ASSEMBLY COMPONENTS

* ①	4716U0951	FRT. & RR BODY PNL. - 3281, 88, 89, 91, 94	.10	⑨	4754-3871	FOAM GASKET M2
		NOTE: REFER TO PAGE 6 FOR FRT. PNL. 3251, 96 ONLY	.20	⑩	4749B4321	TAILLIGHT (ALL)
.65	4747C4531	FRT. BODY PNL. - 3275	.10		4716A1061	TAILLIGHT LENS
*	4716U9021	FRT. & REAR BODY PNL. 3270	.15		4747-2558	RIVET M25
.75	②	4747A0801 FRT. END RAIL - 3275	.05	⑪	4739B4311	LICENSE PLATE LIGHT 3275
.75		4754-8681 FRT. END RAIL - 3270	.05	⑫	4737A0728	RUBBER BUMPER 3275
.75		4754B1041 FRT. END RAIL - ALL EXCEPT 3270, 75	.05	⑬	4732-1181	PLASTIC GROMMET M4 3275
.15	③	4714H08481 AMBER LENS & BASE x4	.05		1121C1618	LICENSE PLATE SCREW x2
.10		4716-4571 AMBER LENS (LENS ONLY)	.30	⑭	4751C0181	BUMPER 3275
.25		4733H1311 SOCKET & HARNESS	.30		4756-2371	BUMPER 3251, 81, 91, 94, 96
		4747-2558 RIVET M25	.30		4754D0211	BUMPER 3270, 88, 89
.15	④	4714H08581 RED LENS & BASE	.10	⑮	4733-2741	2" SNAP BUSHING
.10		4716-4561 RED LENS (LENS ONLY)	.10	⑯	4730H3188	"OPEN" DECAL
		REFER TO CODE *3 FOR HARDWARE	.25	⑰	1032B24248	BOLT x2
.85	⑤	4747C4641 REAR BODY PNL. - 3275			1202B0468	WASHER x6 M10
		4741D96568 EXPANSION RIVET M25 3275			1202B1068	WASHER x2
.75	⑥	4747B0791 REAR END RAIL - 3275			1201B6068	NUT x2
.75		4754-8691 REAR END RAIL - 3270				
.75		4754B1041 REAR END RAIL - ALL EXCEPT 3270, 75				
.20	⑦	4743C1311 TAILLIGHT W/HOLDER - ALL EXCEPT 3275				
.10		4716A1051 TAILLIGHT LENS				
		4747-2558 RIVET M25				
.25	⑧	4716-1581 FRT. & REAR DECAL & HARDWARE KIT - ALL				



1998 DESTINY SERIES



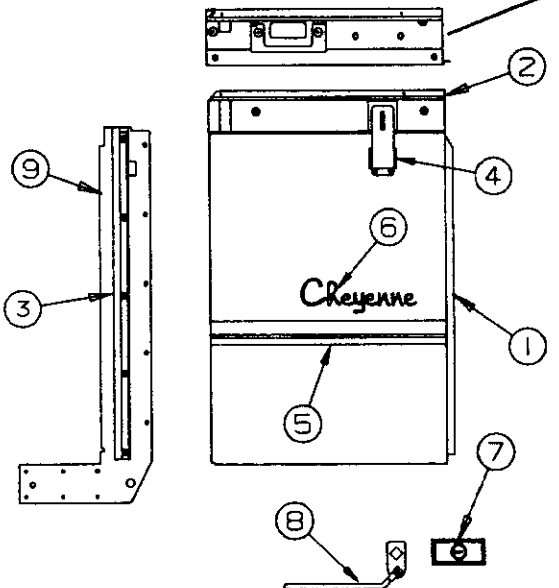
NOTE: REFER TO PAGE 7 FOR RED MARKER LIGHT FOR MODEL 3275

CURBSIDE RIGHT REAR BODY PANEL & COMPONENTS 4716E8251 CURBSIDE HARDWARE & TRIM TAPE KIT (ALL)

FLAT RATE							
.85	①	4754-8061	BODY PANEL 3270	.15	⑥	4741C6041	TOP LATCH (W/OUT LOCK TAB)
.50		471689751	BODY PANEL 3275			4749-4848	FOAM PAD
.85		4755A3261	BODY PANEL 3251	.50	⑦	4716E8251	TRIM TAPE & HARDWARE KIT
.85		4756-3301	BODY PANEL 3281	.15	⑧	4738-3941	TURN BUTTON & RIVET 3270,75
.85		4754C0151	BODY PANEL 3288,89	.25	⑨	4750A8481	STOVE SUPPORT
.85		4754C2131	BODY PANEL 3291,94			4745-3968	SCREW x3
.85		4754C1601	BODY PANEL 3296			4744C2461	MACHINE SCREW x2 M2 TROX HEAD
1.00	②	4754A8031	BODY RAIL 3270			1201B6958	NUT x2
1.00		474989761	BODY RAIL 3275	.25	⑩	4734H4111	LIFT TRIM M4 (ALL EXCEPT 3275)
1.00		4755B3411	BODY RAIL 3251	.25		4734B4121	LIFT TRIM M4 3275
1.00		4756-3241	BODY RAIL 3281	.25		4753A3941	RUBBER GASKET (ALL EXCEPT 3275)
1.00		4754E0991	BODY RAIL 3288,89			4744A9581	FOAM LIFT GASKET MB 3275
1.00		4754C2241	BODY RAIL 3291,94	.15	⑪	4747-0531	INNER M4 MITER COVER 3270,75
1.00		4754D1561	BODY RAIL 3296	.15		4716C9101	OUTER MITER COVER M4 3270,75
.10	③	4723A8071	VELCRO HOOK 2x2 M4		⑫	4752C15088	HAPPY CAMPER DECAL
.10		4350000005F	3/4" VELCRO HOOK (SOLD/YARD)		⑬	4741A9101	HEX HEAD TEK SCREW M10
.25	④	4752-9921	PORCH LIGHT		⑭	1203-8831	RIVET M25
.10		4716-5511	PORCH LIGHT LENS	1.25	⑮	4754A6201	DOOR BULKHEAD CSR 3270
.25	⑤	4746A3861	DUPLEX COVER & OUTLET	1.25		4747A0101	DOOR BULKHEAD CSR 3275
.35		4746-3871	DUPLEX BOX	1.25		4754-6961	DR. BULKHEAD CSR ALL EXCEPT 3270,75
		1203-8678	RIVET M25 (RIVET BOX TO PNL.)	.35	⑯	4745B0811	RUBBER DOOR SEAL ALL EXCEPT 3270,75
					⑰	4734C1861	RIVET M25 (ARCTIC WHITE)

CURBSIDE RIGHT FRONT BODY PANEL & COMPONENTS 4716E8251 CURBSIDE HARDWARE & TRIM TAPE KIT (ALL)

REFER TO CODES 10, 11, 13, 14 & 17 ABOVE FOR ITEMS IN THIS DETAIL

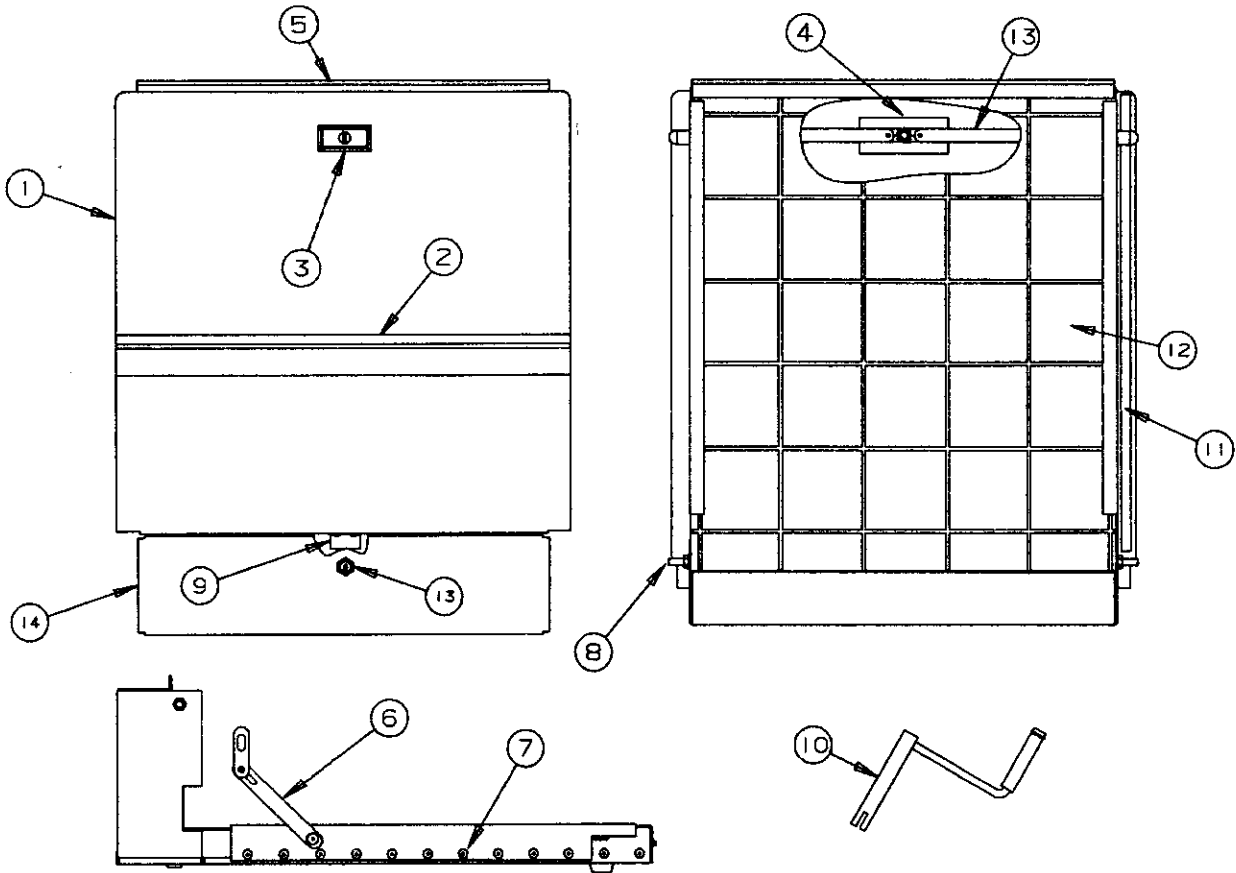


NOTE: REFER TO PAGE 7 FOR AMBER MARKER LIGHT FOR MODEL 3275

FLAT RATE

.85	①	4716C0441	BODY PANEL 3275
.85		4754-8051	BODY PANEL 3270
.85		4755A3281	BODY PANEL 3251
.85		4756-3271	BODY PANEL 3281
.85		4754-8501	BODY PANEL 3288,89
.85		4754B2121	BODY PANEL 3291,94
.85		4754B1581	BODY PANEL 3296
1.00	②	4754A8021	BODY RAIL 3270
1.00		4747B0561	BODY RAIL 3275
1.00		4755B3421	BODY RAIL 3251
1.00		4756-3211	BODY RAIL 3281
1.00		4754E0981	BODY RAIL 3288,89
1.00		4754C2231	BODY RAIL 3291,94
1.00		4754E1571	BODY RAIL 3296
.35	③	4745B0811	RUBBER DOOR SEAL 3251,88,89,91,94,96
.15	④	4741C6041	TOP LATCH (W/OUT LOCK TAB)
			NOTE: REFER TO CODE #6 ABOVE FOR HARDWARE
.25	⑤	4716E8251	TRIM TAPE & HARDWARE KIT
.25	⑥	4754-8738	REDWOOD NAME DECAL 3270
.25		4749G3198	TAOS NAME DECAL 3275
.25		4755-3438	RIO NAME DECAL 3251
.25		4756-3498	NATCHEZ NAME DECAL 3281
.25		4754A3658	SEA PINE NAME DECAL 3288
.25		4749G4438	SANTA FE NAME DECAL 3289
.25		4753B0708	MESA NAME DECAL 3291
.25		4754A3808	WESTLAKE NAME DECAL 3294
.25		4751E0658	CHEYENNE NAME DECAL 3296
1.00	⑦	4730C3111	LOCK HANDLE (WITH KEY)
1.00	⑧	4747-3501	LATCH, STRIKE & LEVER 3270
1.00		4754-1691	LATCH, STRIKE & LEVER 3275
1.25	⑨	4754A6191	DOOR BULKHEAD CSF 3270
1.25		4747A0091	DOOR BULKHEAD CSF 3275
1.25		4754-6951	DOOR BULKHEAD CSF ALL EXCEPT 3270,75

REPAIR PARTS/FLAT RATE



4754-6931 ACCESS DOOR ASSY. (COMPLETE) ALL EXCEPT 3270,75
 FLAT RATE 1.25 ACCESS DOOR COMPLETE

FLAT RATE

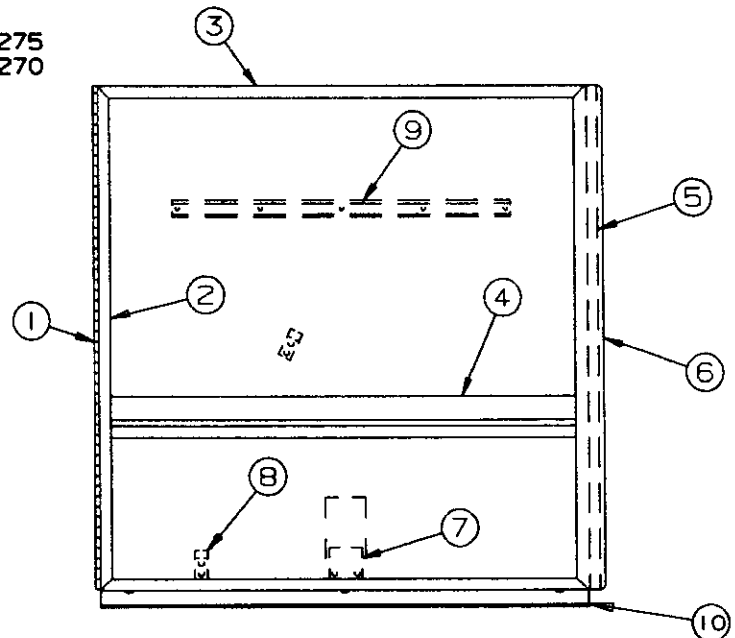
1.00	①	4754A4741	ACCESS DOOR SKIN	⑦	4733G0601	RIVET M25 "BLACK"	
.25	②	4350001899F	TRIM TAPE (SOLD \ FT.)	⑧	1006B2428	BOLT x2	
1.00	③	4730C3111	LOCK HANDLE (WITH KEY)		1202B0468	WASHER x2 M10	
		4716-056	SCREW x2	.10	⑨	4747A2521	LATCH ANGLE W/ RIVETS
		1201B6958	KEPS NUT x2		⑩	4747F4141	CRANK HANDLE
1.00	④	4741-1438	REINFORCEMENT PLATE	.20	⑪	4060025006P	FOAM TAPE (4 PC. PKG.)
.25	⑤	4731M2331	ACCESS DOOR CAP	1.00	⑫	4754-4751	STEP DOOR FLOOR COVERING
		1203-8641	RIVET M25	1.00	⑬	4741-6551	LOCK BAR ASSEMBLY
.15	⑥	4744-6981	SWING ARM ASSY.	.25	⑭	4754-6921	LOWER ACCESS DOOR W/HINGES - LESS LOCK
		1203C8721	RIVET M25			1203-8951	RIVET M25 (RERIVET DOOR BACK IN PLACE)
		1202B0468	WASHER				

F.R. -.50 4749H6471 - ACCESS DOOR ASSEMBLY 3275
 F.R. -.50 4754C5111 - ACCESS DOOR ASSEMBLY 3270

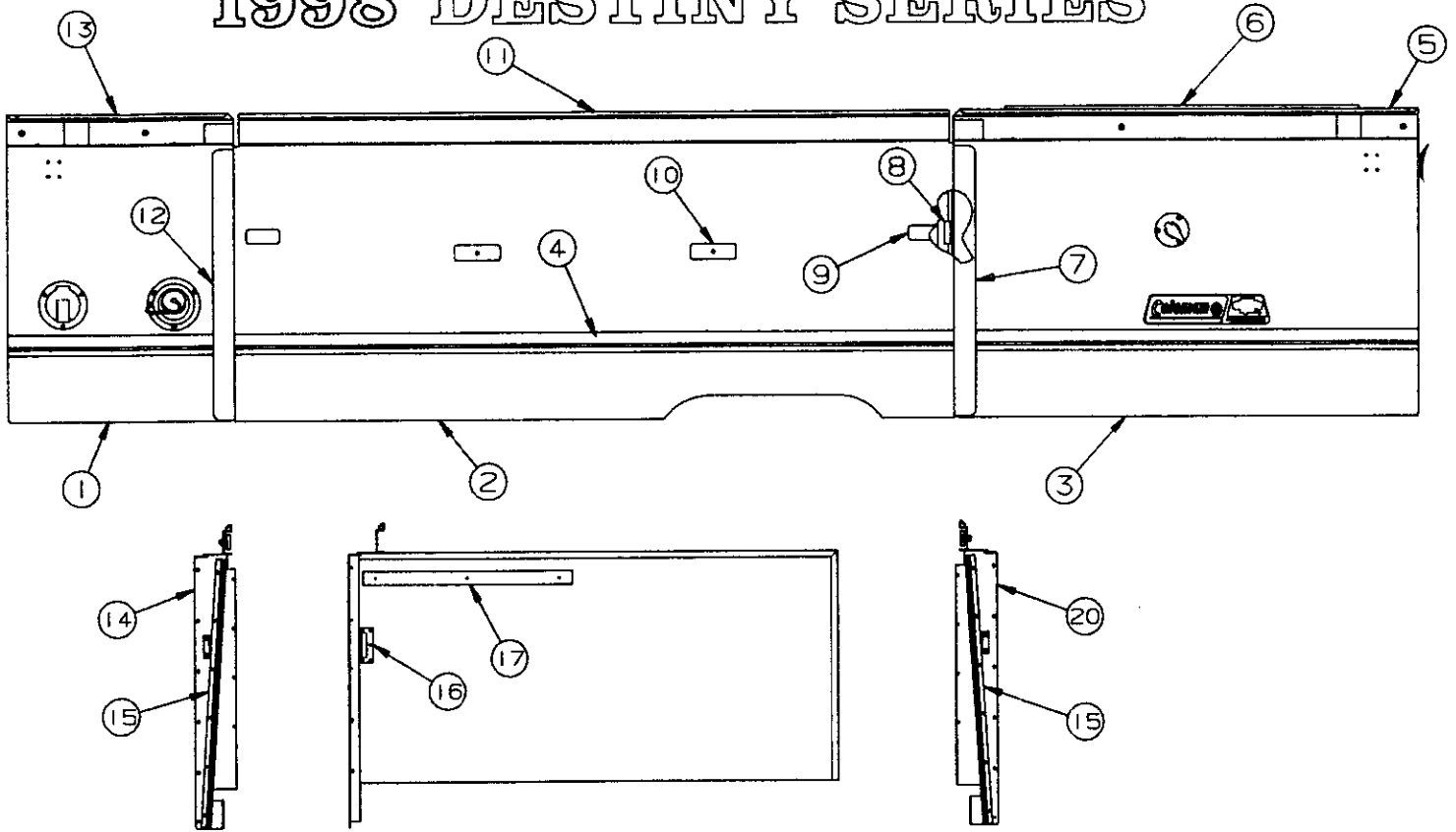
FLAT RATE

ACCESS DOOR ASSY. COMPONENTS

.25	①	4747A3621	DOOR HINGE 3275
.25		4754B0281	DOOR HINGE 3270
.35	②	4747A359	DOOR FRAME 3275
.35		4754-0251	DOOR FRAME 3270
.25	③	4749B9821	DOOR CAP 3275,70
.25	④	4350001833F	TRIM TAPE (ALL) SOLD/FT.
.20	⑤	4060000023P	D-SEAL (4*PACKAGED)
.25	⑥	4747A3601	DOOR FRAME 3275
.25		4754C0261	DOOR FRAME 3270
.10	⑦	4749A9941	DOOR BRACKET (ALL)
.10	⑧	4720A0721	COOLER CLIP M2
		4745-3968	SCREW x2
.25	⑨	4750A8481	STOVE SUPPORT
		4716-081	SCREW
.25	⑩	4747C3611	BOTTOM TRIM 3275,70
.05			DOOR ADJUSTMENT



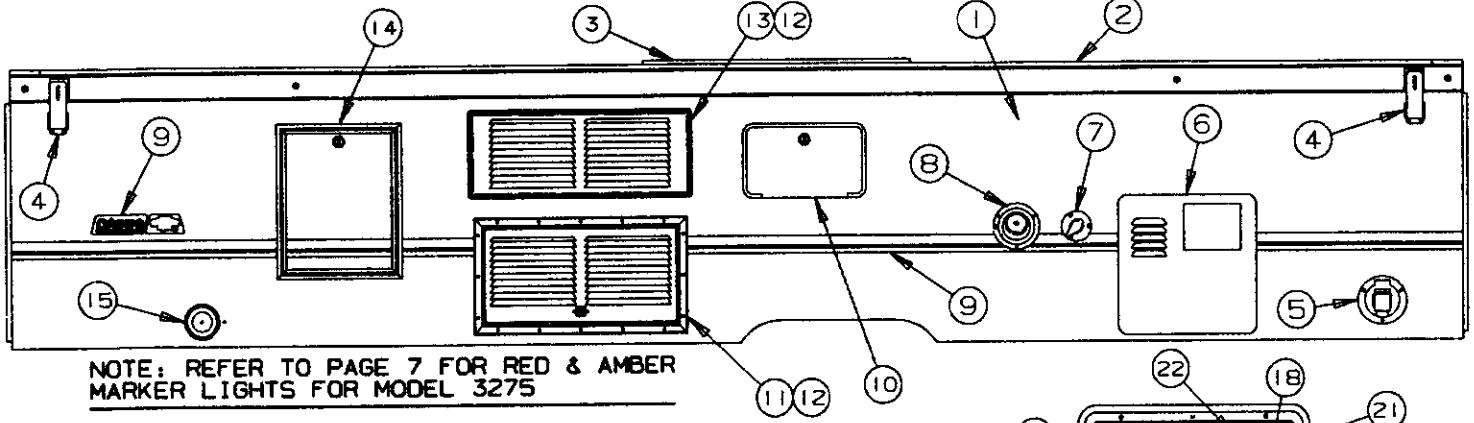
1998 DESTINY SERIES



4716E8261 ROADSIDE HARDWARE & TRIM TAPE KIT ROADSIDE LEFT BODY PANEL & COMPONENTS 3281

FLAT RATE		
1.50	①	4756-3291 LEFT FRONT BODY PNL. 3281
1.00	②	4757-5411 GLIDE-OUT BODY PNL. 3281
1.50	③	4756-3281 LEFT REAR BODY PNL. 3281
.75	④	4716E8261 HARDWARE & TRIM TAPE KIT
1.00	⑤	4756-3221 BODY RAIL "RSR"
.25	⑥	4737D2231 CURTAIN TRACK 1203-8678 RIVET M25
.25	⑦	4755A3771 GLIDE-OUT ANGLE SEAL "REAR" 4060000023P D-SEAL "WHITE" (5' PC. PKG.)
.15	⑧	4756-1501 STRIKE 4756-3251 SHIM
.75	⑨	4755-4091 LATCH & GASKET
.75	⑩	4756-1181 PULL HANDLE 4738-2608 TEK SCREW "BLACK"
.75	⑪	4756-1291 GLIDE-OUT BODY RAIL
.25	⑫	4755A3921 GLIDE-OUT ANGLE SEAL "FRONT" 4060000023P D-SEAL "WHITE" (5' PC. PKG.)
1.00	⑬	4756-3231 BODY RAIL "RSF"
1.65	⑭	4757-5501 GLIDE-OUT BULKHEAD ASSY. "RSF"
.35	⑮	4755-3911 GLIDE-OUT SEAL TRACK 4064700589P SIDE SEAL "BLACK" (8' PC. PKG.)
.15	⑯	4756-2171 LOCK BOOT W/COVER PLATE
.25	⑰	4754-3811 VEL-STICK (MUST CUT TO SIZE)
1.65	⑱	4757-5511 GLIDE-OUT BULKHEAD ASSY. "RSR"

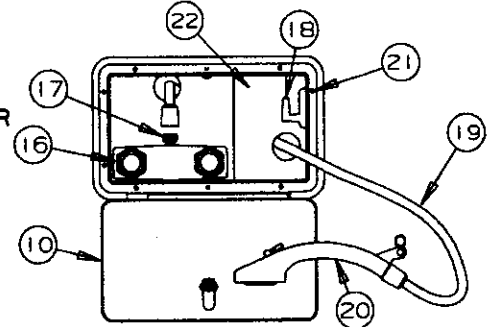
REPAIR PARTS/FLAT RATE



NOTE: REFER TO PAGE 7 FOR RED & AMBER MARKER LIGHTS FOR MODEL 3275

*** ADD .50 WATER HEATER
 *** ADD .75 FOR REEFER VENTS
 *** ADD .50 FOR HEATER VENT

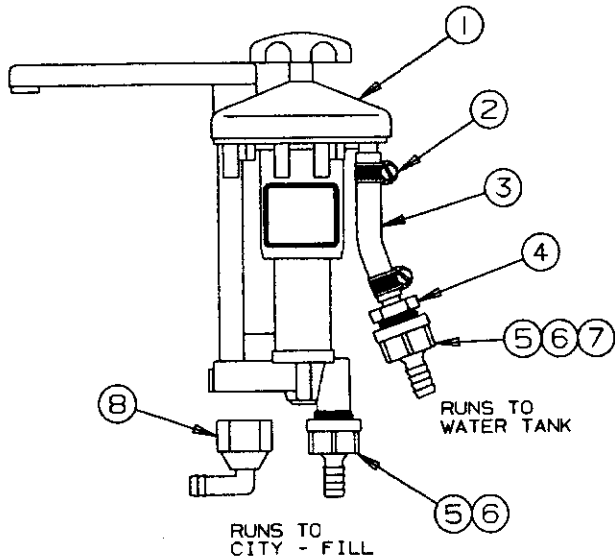
NOTE: REFER TO PAGE 8 FOR LIFT TRIM & COMPONENTS



FLAT RATE ROADSIDE LEFT BODY PANEL & COMPONENTS 4716E8261 ROADSIDE TRIM TAPE & HARDWARE KIT (ALL)

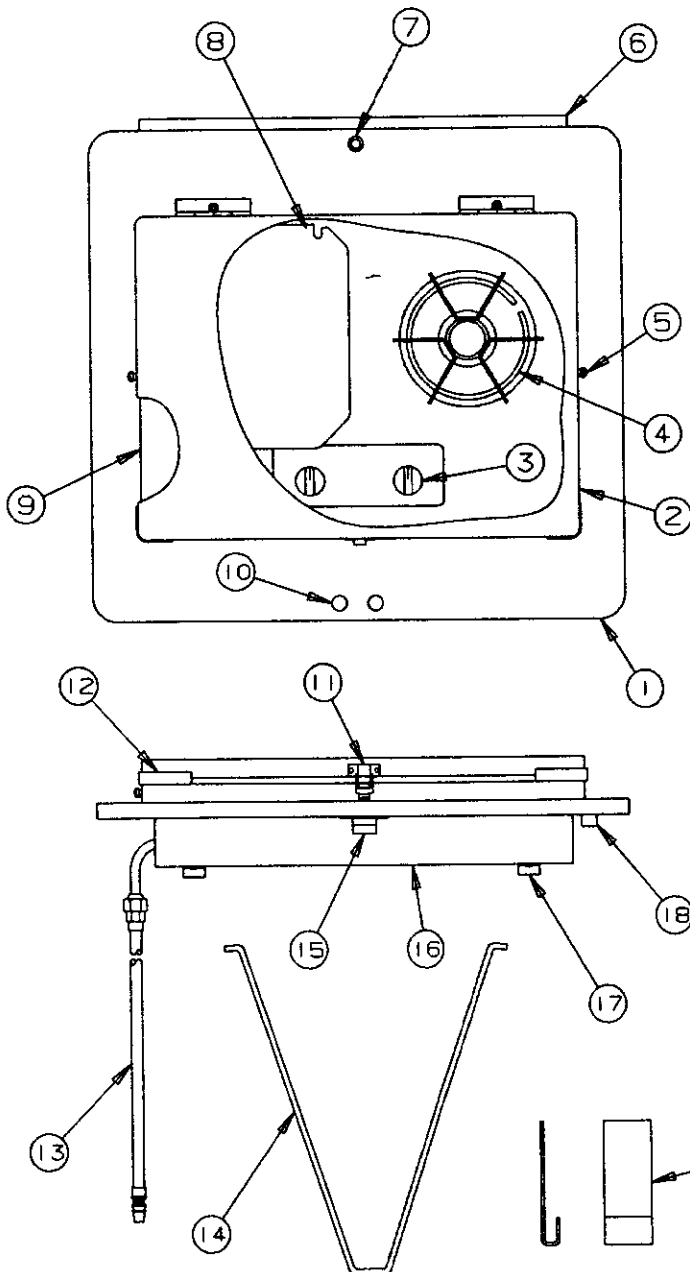
1.00	① 4716B98071	BODY PANEL 3275	.30	⑧ 4731D1711	WATER TANK FILL SPOUT
*** 2.00	4754-8071	BODY PANEL 3270		4741-3508	HEX HEAD TEK SCREW x3
*** 2.00	4755A3271	BODY PANEL 3251	.75	⑨ 4716E8261	TRIM TAPE & HARDWARE KIT
*** 2.00	4754-3751	BODY PANEL 3288	.25	⑩ 4750-2951	O/S SHOWER DOOR & FRAME 3294
*** 2.00	4754D0181	BODY PANEL 3289	.15	4750A2961	LOCK ASSY. (WITH KEY)
*** 2.25	4754C2141	BODY PANEL 3291	.25	⑪ 4747C8331	LOUVERED DOOR PANEL (REFRIG. VENT)
*** 2.00	4754C3791	BODY PANEL 3294	.05	4753-9161	CLEAR HINGE SEAL 19" PC.
*** 2.00	4754C1591	BODY PANEL 3296	.25	⑫ 4745A3961	TORX HD SCREW ARCTIC WHT. M50
3.00	② 4747A0581	BODY RAIL 3275	.25	⑬ 4747C8321	LOUVERED PANEL (REFRIGERATOR VENT)
3.00	4754A8041	BODY RAIL 3270		⑭ 4716-1831	O/S POTTIE HATCH DR. & FRAME 3294
3.00	4754C2251	BODY RAIL 3251, 91, 94		4746F5121	SHROUD
3.00	4754D1001	BODY RAIL 3288, 89, 96	.15	4350000028P	1/8"x3/4" BUTYL TAPE (6' PC. PKG.)
	4733D0601	RIVET M25	.15	4060000029P	D-SEAL (AROUND FRAMING) 6' PC. PKG.
	4723A8071	VELCRO HOOK 2x2 M4	.15	4754-4911	HATCH DOOR LOCK & O-RING
.25	③ 4737D2231	CURTAIN TRACK	.15	4754-4941	HATCH DOOR HINGE
	1203-8678	RIVET M25		1203-8631	RIVET M25 x3 PER HINGE
.15	④ 4741C6041	TOP LATCH (W/OUT LOCK TAB)	.50	⑮ NOTE: REFER TO PAGE 16 CODE #16 FOR THIS ITEM	
	4749-4848	FOAM PAD	.10	⑯ 4741B2071	SHOWER DIVERTER
	4741A9101	TEK SCREW (x4 PER LATCH) M10	.15	⑰ 4716-0848	SHOWER HOSE CONNECTOR
.15	⑤ 4733B23361	CABLE HATCH	.20	⑱ 4750-1761	SHOWER HEAD BRKT.
	4741-3508	HEX HEAD TEK SCREW x3	.15	⑲ 4741B2051	SHOWER HOSE
.25	⑥ 4716-1331	WATER HEATER DOOR 3294	.25	⑳ 4746A3761	SHOWER HEAD
.30	⑦ 4732F1521	CITY FILL		㉑ 4741D96568	EXPANSION RIVET M25
	4741-3508	HEX HEAD TEK SCREW x3		㉒ 4750-3331	AUXILIARY SHOWER BOX

1998 DESTINY SERIES



FLAT RATE	HAND PUMP & RELATED PARTS	
.40	① 473400161	HAND PUMP
	4716-081	SCREW x4
	② 4731-3058	ADJUSTABLE HOSE CLAMP
.35	③ 4714-338	3/8" H.P. HOSE (SOLD/FOOT)
.20	④ 4732-4561	MALE ADAPTER
.20	⑤ 4741-9568	BARBED ADAPTER
.20	⑥ 1202-5828	RUBBER WASHER
.20	⑦ 4754-4418	ROUND FILTER SCREEN
.20	⑧ 4741-2351	STREET ELBOW

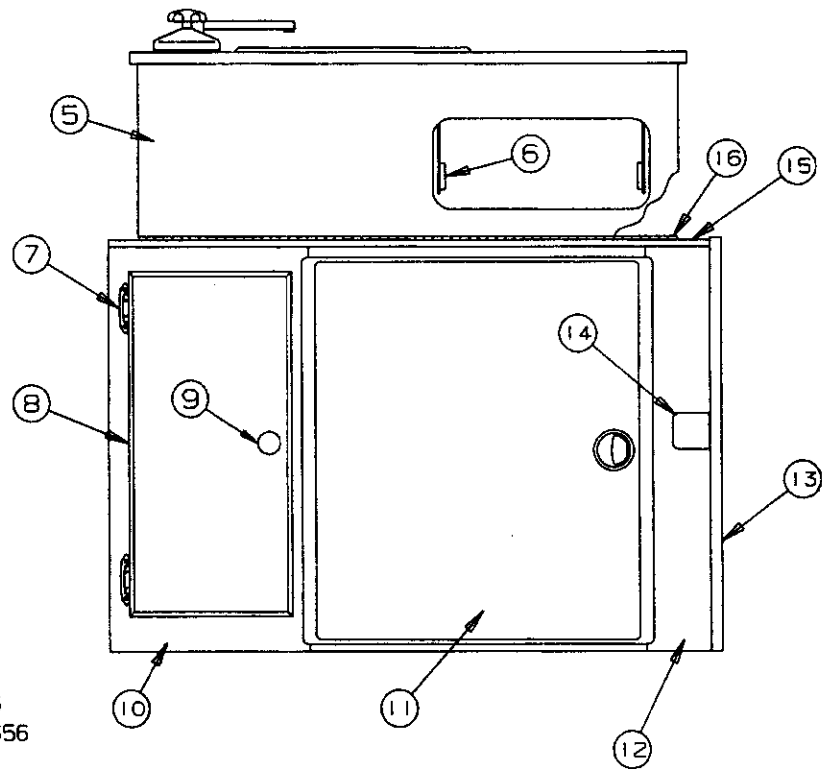
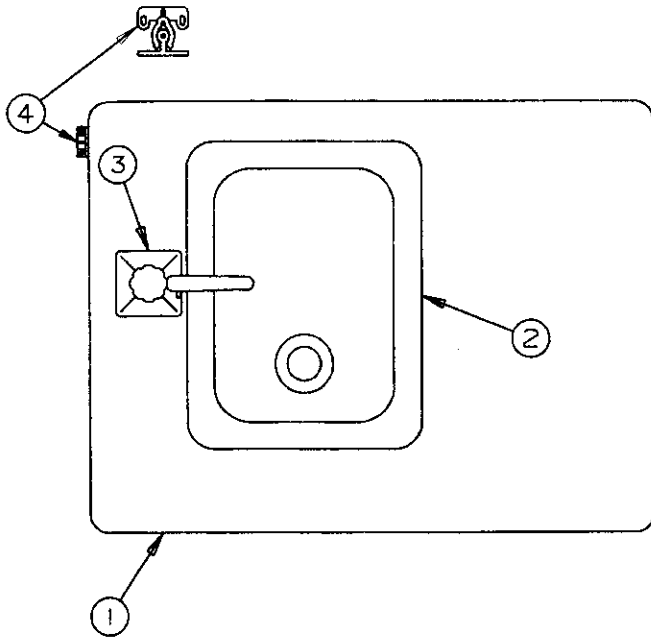
TO ORDER REPAIR PARTS
FOR MODEL #150-000-00 SHURFLO PUMP
CALL: 1-800-854-3218 GARDEN GROVE, CA.
CALL: 1-800-762-8094 ELKHART, IN.



*USED ON TRAILERS PRIOR TO S/N-24656-REDWOOD
**USED ON TRAILER STARTING W/ S/N-24656-REDWOOD
*USED ON TRAILERS PRIOR TO S/N-23416-TAOS
**USED ON TRAILER STARTING W/ S/N-23416-TAOS

FLAT RATE	.10 COMPLETE STOVE ASSY. LIFT-OUT STOVE COMPONENT PARTS	
.60	① * 4742G8141	COUNTER TOP 3270
	** 4742H8141	COUNTER TOP 3270
.60	* 4754A04581	COUNTER TOP 3275
	** 4754B0451	COUNTER TOP 3275
.60	4754-B441	COUNTER TOP (ALL EXCEPT 3270,75)
.30	4060400089P	T-MOLDING 14' PC. PACKAGED
.15	② 4748B6461	STOVE COVER ASSY. (ALL EXCEPT 3270,75)
.15	4749D6601	STOVE COVER ASSY. 3270,75
.05	③ 4716-1861	KNOB
.05	④ 4716-1851	STOVE GRATE
.05	⑤ 4716A0881	THUMB SCREW M6
.05	4746-8661	PLASTIC THUMB SCREW M6
.35	⑥ 4754-0471	STOVE HANGER BRACKET (ALL)
.05	⑦ 4730A3548	STUD W/SCREW
.25	⑧ 4749B99381	STOVE FIN x2 3270,75
.25	4746A8541	STOVE FIN x2 (ALL EXCEPT 3270,75)
.25	4741A4401	HINGE (x2 PER FIN)
	1203-8558	RIVET M25 (x2 PER HINGE)
.15	⑨ 4746A8561	COOK TOP (ALL EXCEPT 3270,75)
.15	4746-9491	COOK TOP 3270,75
	⑩ 4739E2908	SCREW CAP M10
	4739-2918	SCREW CAP WASHER M10
.20	⑪ 4733-4018	STOVE COVER LATCH
	1203-8558	RIVET x2 PER LATCH M25
.10	4733-4028	STRIKE
	4737-8478	SCREW
.05	⑫ 4732A2291	EDGE MOLDING M2
.25	⑬ 4752A2471	GAS HOSE W/LP PLUG (ALL)
.05	⑭ 4748-2731	SUPPORT LEG 3270,75
.05	4755-8021	SUPPORT LEG (ALL EXCEPT 3270,75)
.15	⑮ 4754A08861	LATCH STRIKE 3270,75
.15	4755-3141	STOVE LOCK HINGE (ALL EXCEPT 3270,75)
.75	⑯ 4748C2581	STOVE BOX 3270,75
.75	4739G2931	STOVE BOX (ALL EXCEPT 3270,75)
.20	⑰ 4740A1891	SUPPORT LEG BRKT. W/RIVETS M2
.05	⑱ 4724-2608	STOP BUTTON
	⑲ 4737C9331	SUPPORT LEG BRKT. (WELDED TO FRAME)

REPAIR PARTS/FLAT RATE



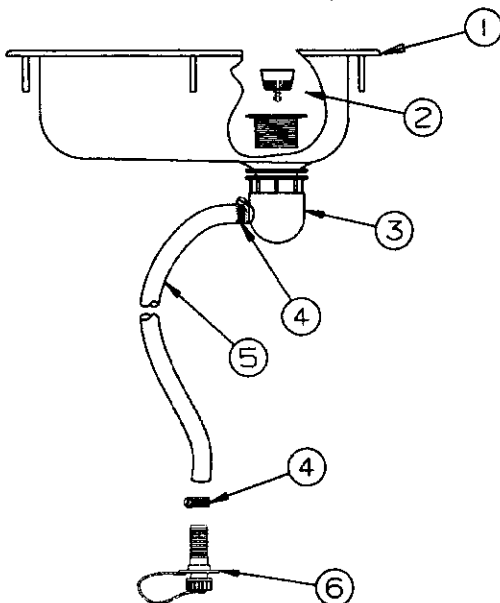
*USED ON TRAILERS PRIOR TO S/N-24656
 **USED ON TRAILER STARTING W/ S/N-24656

FLAT RATE

UPPER & LOWER GALLEY ASSY. COMPONENTS - 3270 REDWOOD

1.00	①	*4754-8291	UPPER GALLEY TOP W/GOLD T-MOLD	.15	⑧	4755-4081	DOOR PNL. 9 1/8"x18 7/8"
.30		4060400089P	T-MOLD W/GOLD TRIM 14' PC. PKG.	.10	⑨	4748A3951	DOOR PULL (INCLUDES SCREW)
1.00		**4754A8291	UPPER GALLEY TOP W/OAK T-MOLD	1.50	⑩	4754-8331	LOWER GALLEY FRONT
.30		4060400088P	T-MOLD OAK 14' PC. PKG.	.50	⑪	4754A0481	BUILT-IN COOLER
.30	②	4710F0301	SINK	1.50	⑫	4754-8341	LOWER GALLEY FRONT
		NOTE:REFER BELOW FOR SINK COMPONENTS					
.40	③	4734D0161	HAND PUMP	1.50	⑬	4754-8261	SEAT GAZOODI
		4716-081	SCREW x4	.25	⑭	4754A0901	GALLEY REST
.15	④	4744A9261	KNUCKLE LATCH M4			1103B102B	1 1/4" SCREW x2
		4738-3088	SCREW x2	.75	*⑮	4754-8321	LOWER GALLEY TOP
.25	⑤	4754-8301	UPPER GALLEY FRONT			4744D4601	RIVET "OAK" M25
.15	⑥	4754-8511	PAPER TOWEL HOLDER	.15		4746A0971	KILL SWITCH & MOUNTING BRKT. M4
.15	⑦	4745C2618B	HINGE (SPRING LOADED)			4716-075	SCREW x2
		4749B4118	1/2" SCREW (x2 PER HINGE)	.50	⑯	4754A8541	GALLEY HINGE
		4749B4598	3/8" SCREW (x3 PER HINGE)				

* ADD .75 W/REFFER

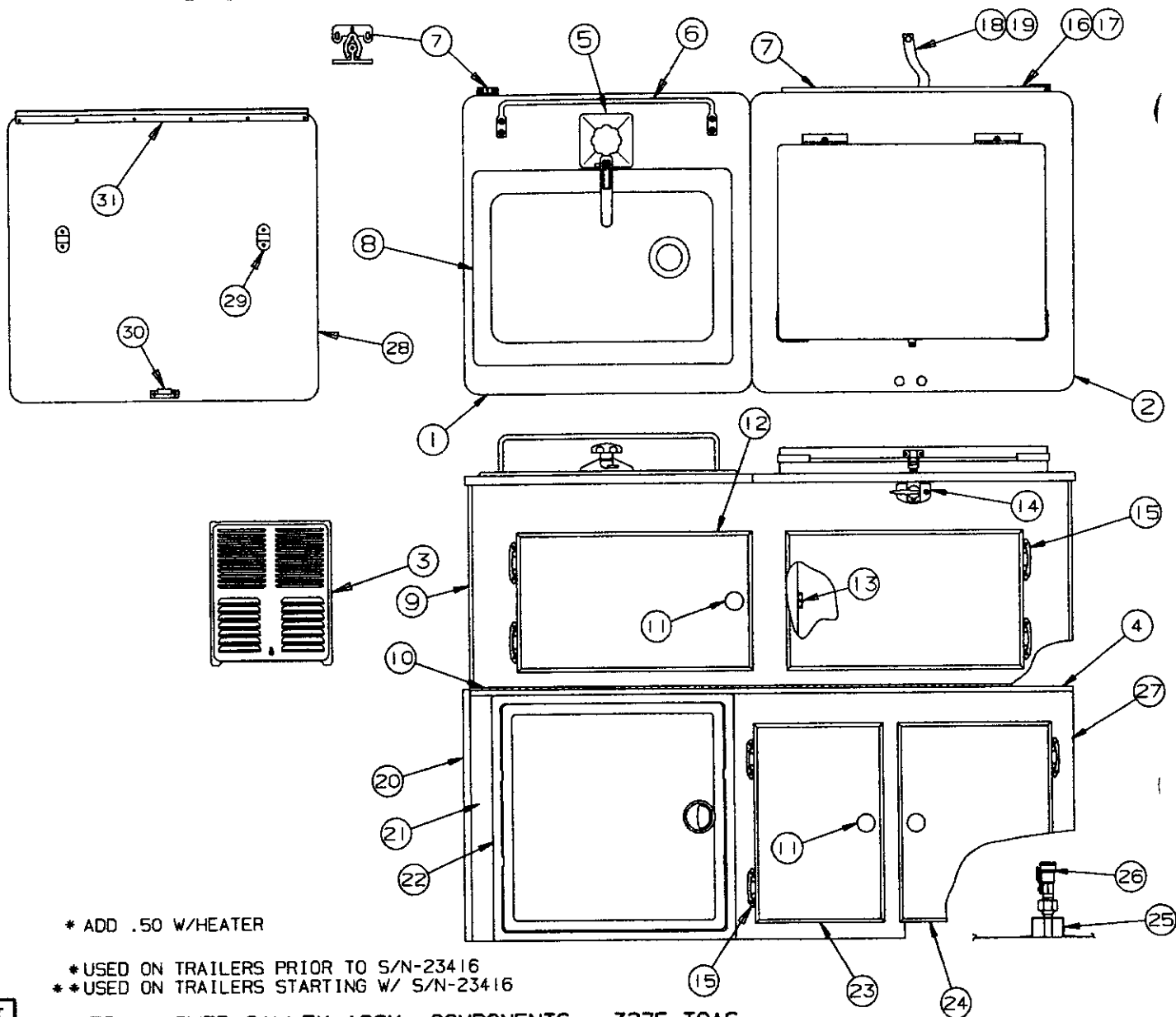


FLAT RATE

SINK & COMPONENT PARTS

.30	①	4710F0301	SINK
.80		4745B2801	SINK 3294 ONLY
.05	②	4714B0661	CRUMB CUP "ONLY"
.25		4730D3151	CRUMB CUP & BASKET
.25	③	4734A0671	DRAIN TRAP M2
	④	4744-2768	HOSE CLAMP
.20	⑤	4742A8781	DRAIN HOSE 8'PC. M2
.20	⑥	4734C0681	DRAIN SPOUT M2
.10		4714-0021	CAP & STRAP M2

1998 DESTINY SERIES



* ADD .50 W/HEATER

*USED ON TRAILERS PRIOR TO S/N-23416

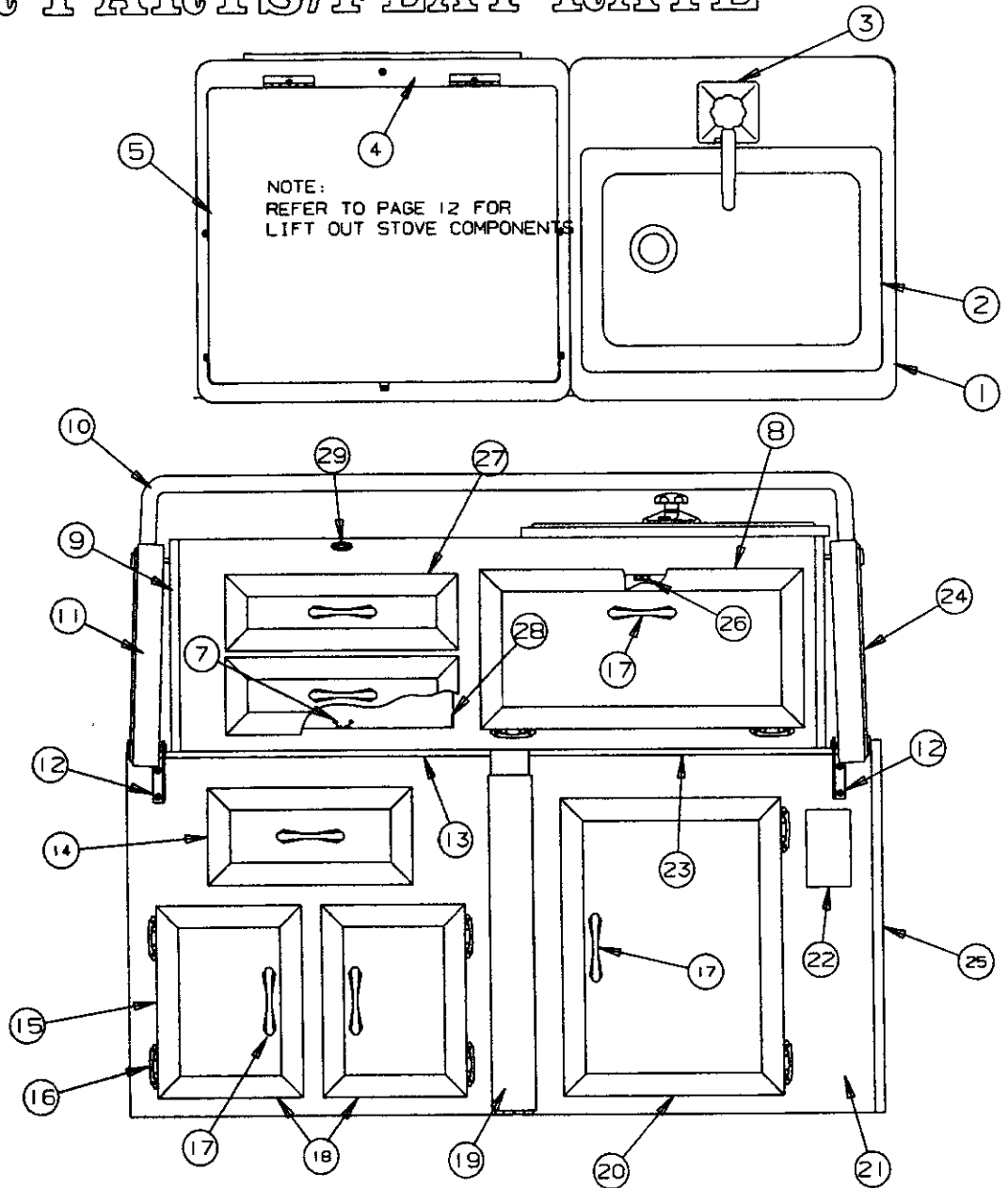
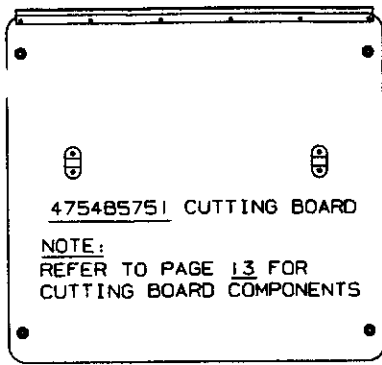
**USED ON TRAILERS STARTING W/ S/N-23416

FLAT
RATE

UPPER & LOWER GALLEY ASSY. COMPONENTS - 3275 TOAS

1.00	①	*4749K9921	UPPER GALLEY TOP W/GOLD TRIM	.10	⑮	4739B0518	HINGE
.30		4060400089P	T-MOLD W/GOLD TRIM 14' PC. PKG.	.10		4745C26188	HINGE (SPRING LOADED)
1.00	**	4749L9921	UPPER GALLEY TOP W/OAK TRIM	.35	⑯	4750A8481	STOVE SUPPORT
.30		4060400088P	T-MOLD OAK 14' PC. PKG.	.35	⑰	4754-0461	STOVE SUPPORT BRKT.
.10	③	4743-3551	FURNACE GRILL "ELM"	.10	⑱	4723B5061	SAFETY STRAP
1.25	④	4747G4371 *	LOWER GALLEY TOP	.05	⑲	4730A3548	STUD W/SCREW
.20		4744D4601	RIVET M25	.35	⑳	4749E9891	SEAT END
.40	⑤	4734D0161	HAND PUMP	.75	㉑	4752B2081	LOWER GALLEY FRONT "SMALL"
.25		4716-081	SCREW x4	.50	㉒	4752B57781	BUILT-IN COOLER
.15	⑦	4744A9261	KNUCKLE LATCH M4	.40		4752A5761	COOLER DOOR
.30	⑧	4710F0301	SINK	.15		4751-1591	ROUND DOOR LATCH
.65	⑨	4716C0151	3/8" F-CHANNEL 24" PC.	.05		4752-1741	ICE TUB & FAUCET
.50	⑩	4747A9671	HINGE	.05		4752-3221	ICE TUB LID
.10	⑪	1103B08148	7/8" SCREW x6	.10		4744-9071	FAUCET ASSY.
.15	⑫	1016B08208	MACHINE SCREW x2	.15	㉓	4754A0561	DOOR PANEL 14" x 9 1/8"
.15	⑬	1201B6908	NUT x2	.20	㉔	4754A1461	DOOR PANEL 14" x 10 3/4"
.10	⑭	4748A3951	DOOR PULL (INCLUDES SCREW)	.40	㉕	4748-4061	BRACKET
.15	⑮	4754A1481	DOOR PANEL x2 - 9 1/4" x 15 3/4"	.10	㉖	4749A9971	QUICK DISCONNECT
.15	⑯	4733-6391	LATCH & STRIKE PKG.	1.50*	㉗	4749E9901	GALLEY FRONT "LARGE"
.20	⑰	4754-0501	LATCH	.10	㉘	*4754A5391	CUTTING BOARD ASSY.
				.10		**4754B5391	CUTTING BOARD ASSY.
				.10	㉙	4740A1891	SUPPORT LEG BRKT. M2
				.10	㉚	4754A08861	LATCH STRIKE
				.15	㉛	4754-0471	HANGER BRACKET

REPAIR PARTS/FLAT RATE

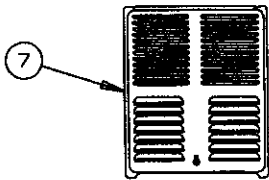
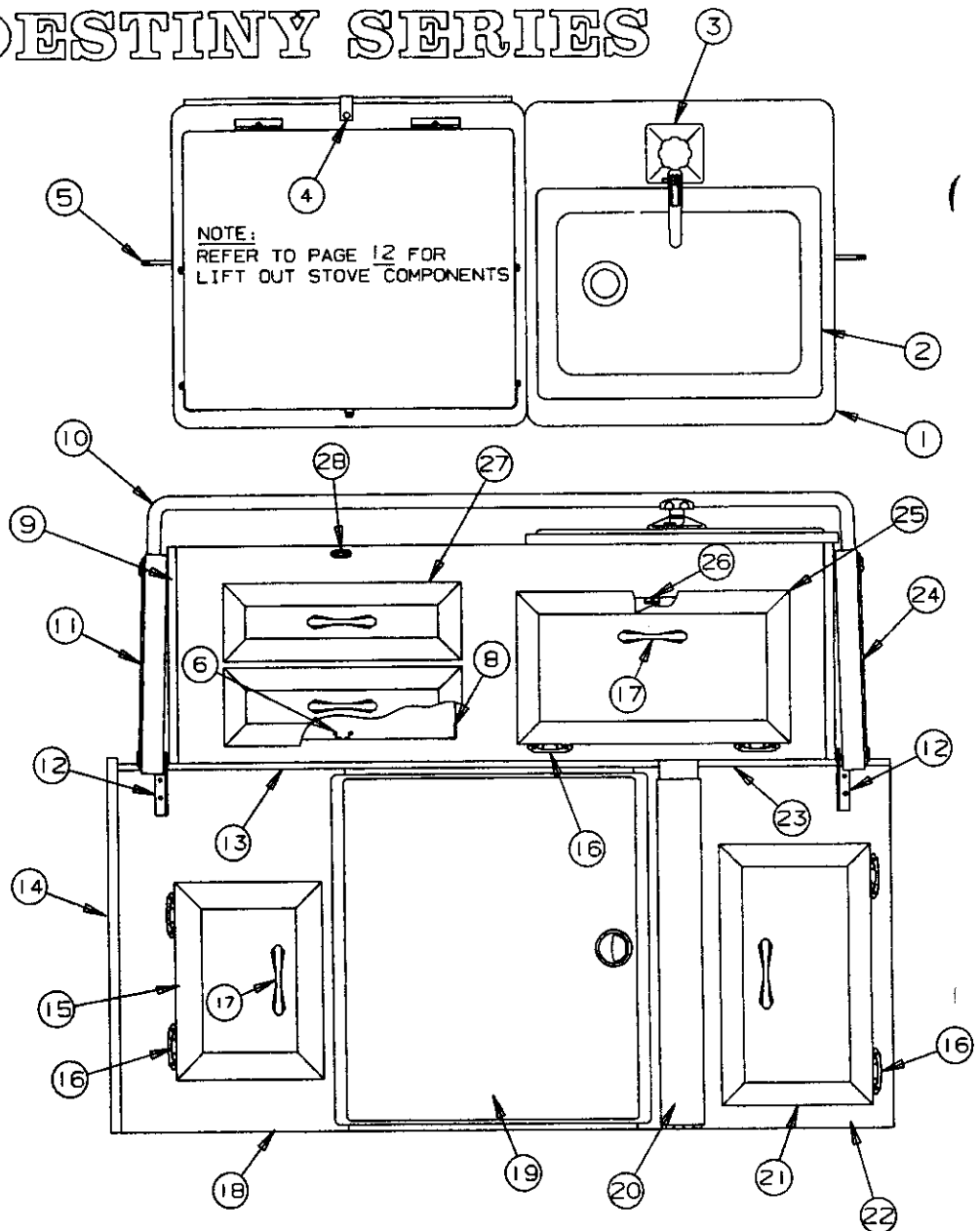
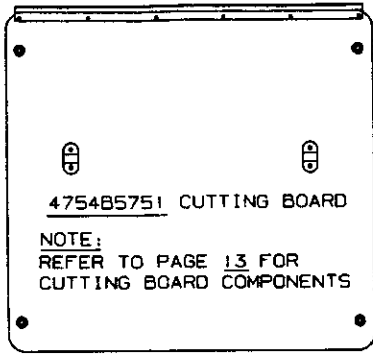


FLAT
RATE

UPPER GALLEY ASSY. - 3281 NATCHEZ

1.00	①	4754-8241	UPPER GALLEY TOP		
1.25		4755-8141	UPPER GALLEY TOP W/ HOT WATER		
.30		4060400089P	T-MOLDING 14' PC. PACKAGED	.10	④
.30	②	4710F0301	SINK	.75	⑤
.80		4745B2801	SINK W/HOT WATER	.10	⑥
			NOTE:REFER TO PAGE 12 FOR SINK COMPONENTS	.10	⑦
.40	③	4734D0161	HAND PUMP	.15	⑧
1.00		4745D2741	MIXER FAUCET W/HOT WATER	.25	⑨
			NOTE: REFER TO PAGE 11 FOR PUMP COMPONENTS	.15	⑩
		4716-081	SCREW x4	1.00	⑪
.10	④	4723B5061	SAFETY STRAP		⑫
.75	⑤	4752A9271	UPPER GALLEY PIVOT LT. OR RT.	.75	⑬
	⑥	4734E1861	RIVET "ELM" M25	.20	⑭
.25	⑦	4754-0721	DRAWER GUIDE 23" PC.	.15	⑮
.15	⑧	4756-6281	DOOR ASSY.9 7/8" x 20 1/8"	.75	⑯
.65	⑨	4716C0151	3/8" F-CHANNEL 24" PC.	.30	⑰
1.00	⑩	4752B930	GALLEY LIFT BAR	.15	⑱
.50		4744-6321	CHAIN ASSY. x2 PER BAR	.10	⑲
.15	⑪	4750-8951	PLASTIC CHAIN COVER LT.	.05	⑳
.60	⑫	4716-1821	LOWER GALLEY BRKT. PKG. LT. & RT.	.10	㉑
		4744D4601	PAINTED RIVET M25		㉒
.75	⑬	4756-3391	LOWER GALLEY TOP LT.		㉓
		4744D4601	PAINTED RIVET M25		㉔
				.10	㉕
				.75	㉖
				.20	㉗
				.15	㉘
				.75	㉙
				.30	㉚
				.15	㉛
				.10	㉜
				.05	㉝
				.10	㉞
					㉟
					㊱
					㊲
					㊳
					㊴
					㊵
					㊶
					㊷
					㊸
					㊹
					㊺
					㊻
					㊼
					㊽
					㊾
					㊿
					1
					2
					3
					4
					5
					6
					7
					8
					9
					10
					11
					12
					13
					14
					15
					16
					17
					18
					19
					20
					21
					22
					23
					24
					25
					26
					27
					28
					29
					30
					31
					32
					33
					34
					35
					36
					37
					38
					39
					40
					41
					42
					43
					44
					45
					46
					47
					48
					49
					50
					51
					52
					53
					54
					55
					56
					57
					58
					59
					60
					61
					62
					63
					64
					65
					66
					67
					68
					69
					70
					71
					72
					73
					74
					75
					76
					77
					78
					79
					80
					81
					82
					83
					84
					85
					86
					87
					88
					89
					90
					91
					92
					93
					94
					95
					96
					97
					98
					99
					100

1998 DESTINY SERIES



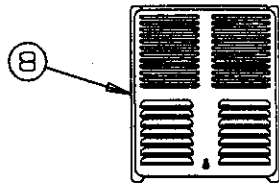
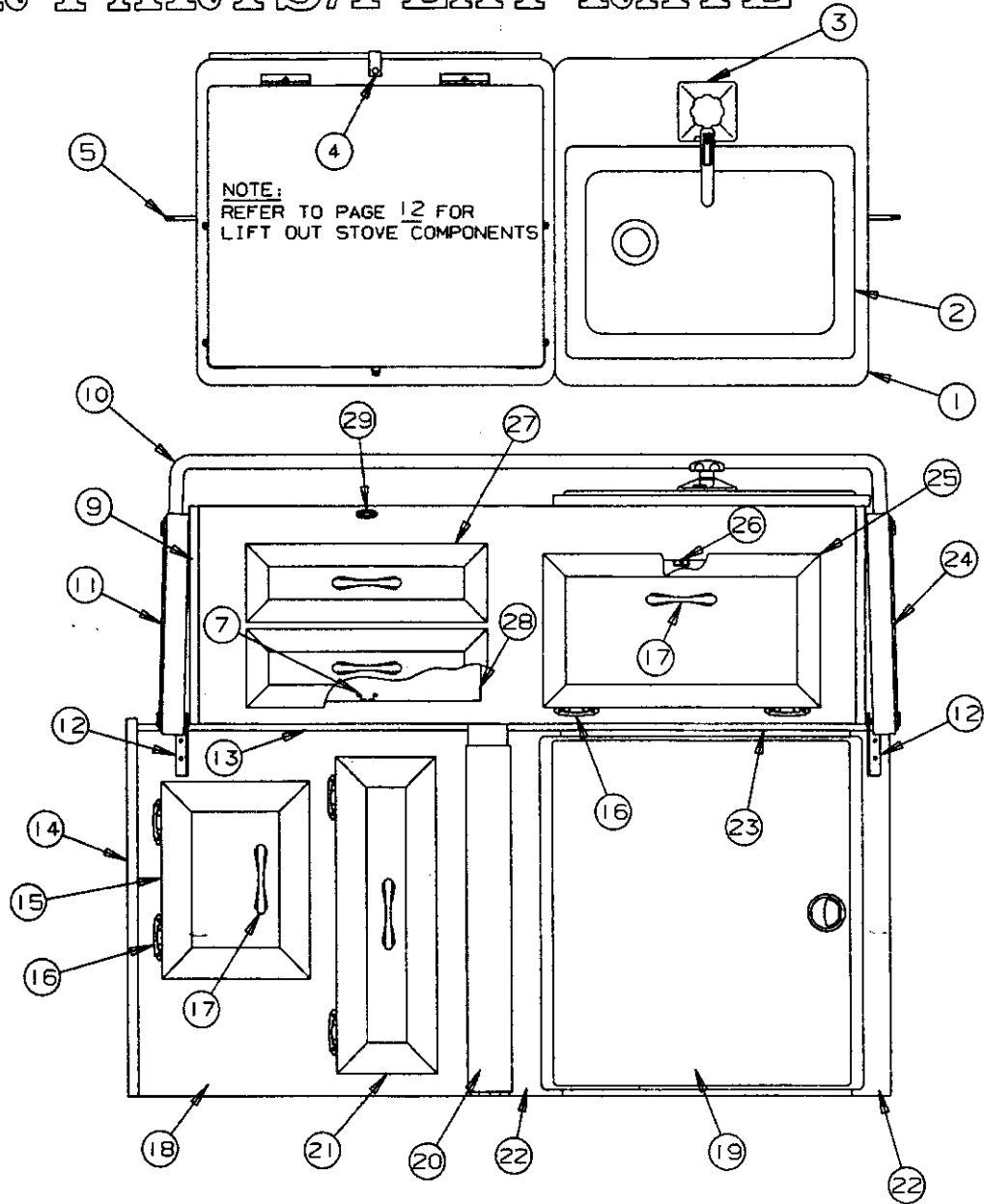
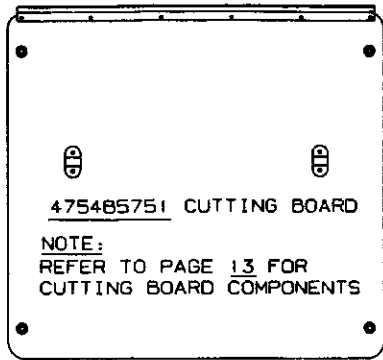
* ADD .50 W/HEATER

FLAT RATE

UPPER GALLEY ASSEMBLY - 3289 SANTA FE, 3296 CHEYENNE

1.00	①	4754-8241	UPPER GALLEY TOP	1.25 *	⑬	4754-8391	LOWER GALLEY TOP LT. PAINTED RIVET M25
1.25		4755-8141	UPPER GALLEY TOP W/ HOT WATER			4744D4601	KILL SWITCH M4
.30		4060400089P	T-MOLDING 14' PC. PACKAGED	.20		4746A0971	SEAT GAZOODI 3289
.30	②	4710F0301	SINK	.75 *	⑭	4754B2611	SEAT GAZOODI 3296
.80		4745B2801	SINK W/HOT WATER	.75 *		4754B0581	T-MOLDING 12' PC. PACKAGED
			NOTE: REFER TO PAGE 12 FOR SINK COMPONENTS	.30		4060400087P	DOOR PANEL 12" x 9 1/8"
.40	③	4734D0161	HAND PUMP	.15	⑮	4756-5161	HINGE (SPRIN LOADED)
1.00		4745D2741	MIXER FAUCET W/HOT WATER	.10	⑯	4745C26188	DOOR PULL W/ SCREWS
			NOTE: REFER TO PAGE 11 FOR PUMP COMPONENTS	.10	⑰	4755-2681	LOWER GALLEY FRT. LT.
		4716-081	SCREW x4	1.50 *	⑱	4754-8421	BUILT-IN COOLER FILLER ASSY.
.10	④	4723B5081	SAFETY STRAP	.50	⑲	4754A0481	DOOR PNL. 9 1/8" x 16"
.75	⑤	4752A9271	UPPER GALLEY PIVOT LT. OR RT.	.25	⑳	4750B6731	LOWER GALLEY FRT. RT.
		4734E1861	RIVET "ELM" M25	.15	㉑	4750B6731	LOWER GALLEY TOP RT.
.25	⑥	4754-0721	DRAWER GUIDE 23" PC.	.15	㉒	4754-8381	PLASTIC CHAIN COVER RT.
.10	⑦	4743-3551	FURNACE GRILL "ELM"	.15	㉓	4750-8941	DOOR PNL. 9 7/8" x 20 1/8"
.05	⑧	4749-8398	PLASTIC SLIDE TACK	.15	㉔	4756-6281	LATCH & STRIKE PKG.
.65	⑨	4716C0151	3/8" F-CHANNEL 24" PC.	.15	㉕	4733-6391	DRAWER ASSY. x2
1.00	⑩	4752B930	GALLEY LIFT BAR	.10	㉖	4754A5301	LATCH
.50		4744-6321	CHAIN ASSY. x2 PER BAR	.10	㉗	4750-2978	BRASS SCREW x2
.15	⑪	4750-8951	PLASTIC CHAIN COVER LT.	.10	㉘	4754-0608	BRASS NUT x2
.60	⑫	4716-1821	LOWER GALLEY BRKT. PKG. LT. & RT.			4754-0618	
		4744D4601	PAINTED RIVET M25				

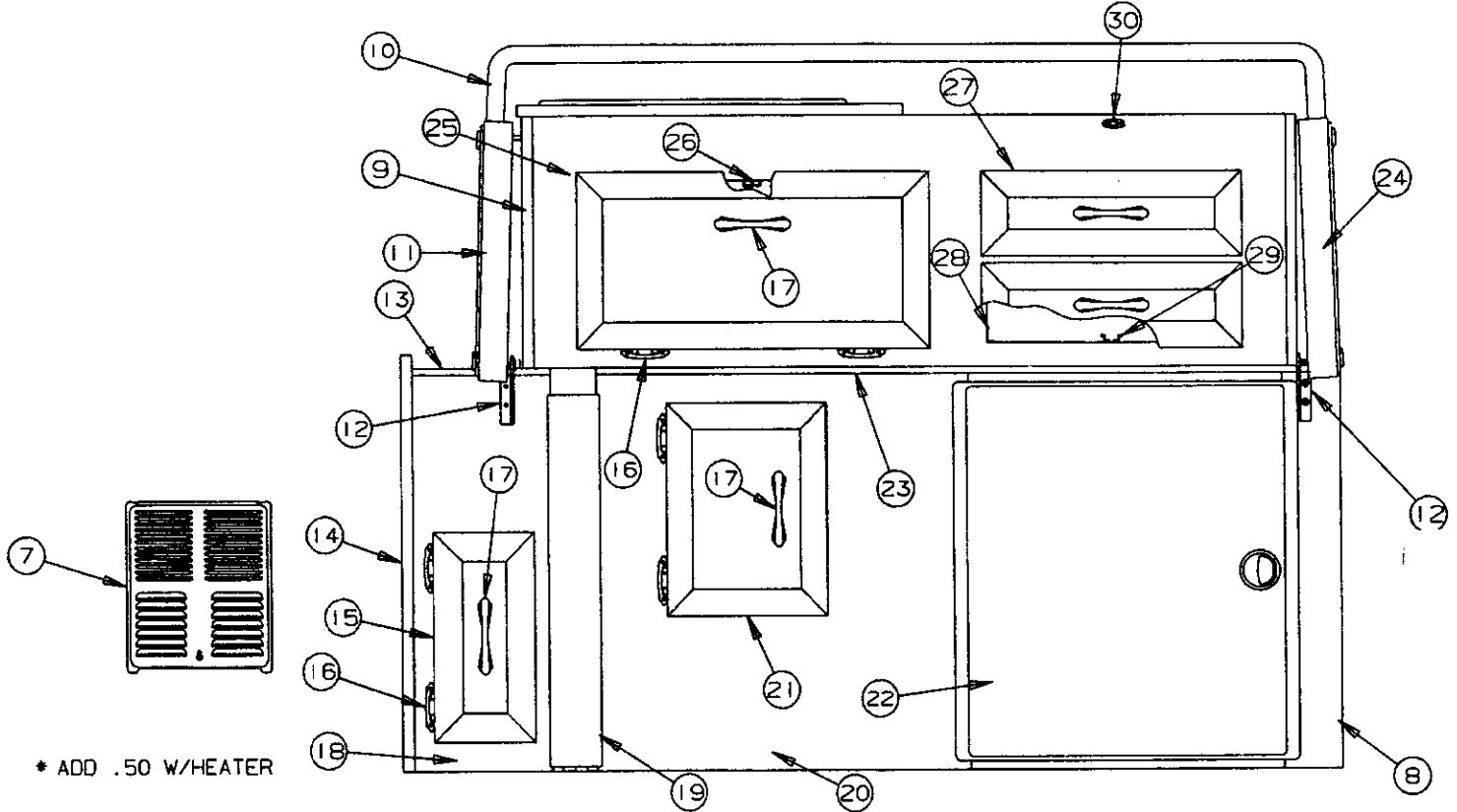
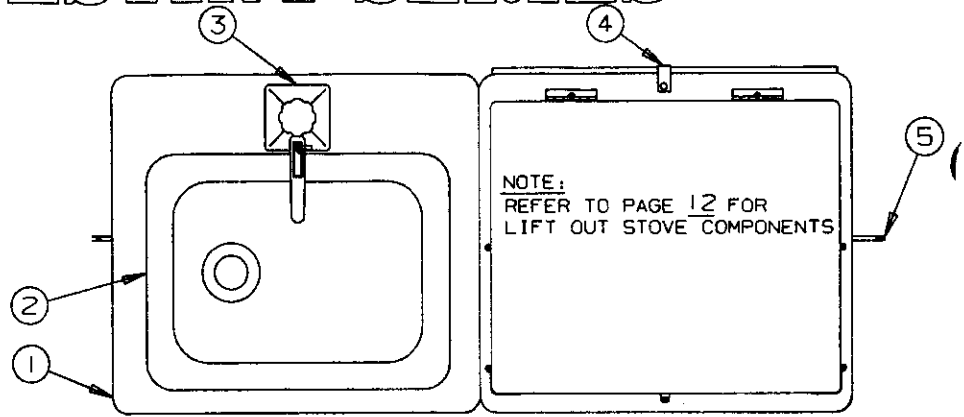
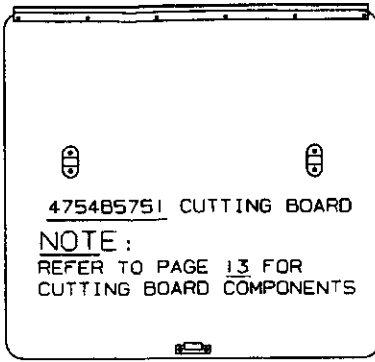
REPAIR PARTS/FLAT RATE



* ADD .50 W/HEATER

FLAT RATE	UPPER GALLEY ASSY. - 3288 SEA PINE	
1.00	①	4754-8241 UPPER GALLEY TOP
1.25		4755-8141 UPPER GALLEY TOP W/ HOT WATER
.30		4060400089P T-MOLDING 14' PC. PACKAGED
.30	②	4710F0301 SINK
.80		4745B2801 SINK W/HOT WATER
		NOTE: REFER TO PAGE 12 FOR SINK COMPONENTS
.40	③	4734D0161 HAND PUMP
1.00		4745D2741 MIXER FAUCET W/HOT WATER
		NOTE: REFER TO PAGE 11 FOR PUMP COMPONENTS
		4716-081 SCREW x4
.10	④	4723B5061 SAFETY STRAP
.75	⑤	4752A9271 UPPER GALLEY PIVOT LT. OR RT.
	⑥	4734E1861 RIVET "ELM" M25
.25	⑦	4754-0721 DRAWER GUIDE 23" PC.
.10	⑧	4743-3551 FURNACE GRILL "ELM"
.65	⑨	4716C0151 3/8" F-CHANNEL 24" PC.
1.00	⑩	4752B930 GALLEY LIFT BAR
.50		4744-6321 CHAIN ASSY. x2 PER BAR
.15	⑪	4750-8951 PLASTIC CHAIN COVER LT.
.60	⑫	4716-1821 LOWER GALLEY BRKT. PKG. LT. & RT.
		4744D4601 PAINTED RIVET M25
1.00	*⑬	4756-0391 LOWER GALLEY TOP LT.
		4744D4601 PAINTED RIVET M25
.20		4746A0971 KILL SWITCH M4
.75	*⑭	4754A3431 SEAT GAZOODI
.30		4060400087P T-MOLDING 12' PC. PACKAGED
.15	⑮	4756-5161 DOOR PANEL 12" x 9 1/8"
.10	⑯	4745C26188 HINGE W/MOUNTING SCREWS
.10	⑰	4755-2681 DOOR PULL W/ SCREWS
.75	*⑱	4756-0371 LOWER GALLEY FRT. LT.
.50	⑲	4754A0481 BUILT-IN COOLER
.25	⑳	4750B6731 FILLER ASSY.
.15	㉑	4756-5261 DOOR PNL. 19 1/4" x 6 1/4"
1.00	㉒	4756-0361 LOWER GALLEY FRT. x2
1.25	㉓	4756-0401 LOWER GALLEY TOP RT.
.15	㉔	4750-8941 PLASTIC CHAIN COVER RT.
.15	㉕	4756-6281 DOOR PNL. 9 7/8" x 20 1/8"
.15	㉖	4733-6391 LATCH & STRIKE PKG.
.10	㉗	4754A5301 DRAWER ASSY. x2
.05	㉘	4749-8398 PLASTIC SLIDE TACK
.10	㉙	4750-2978 LATCH
		4754-0608 BRASS SCREW x2
		4754-0618 BRASS NUT x2

1998 DESTINY SERIES

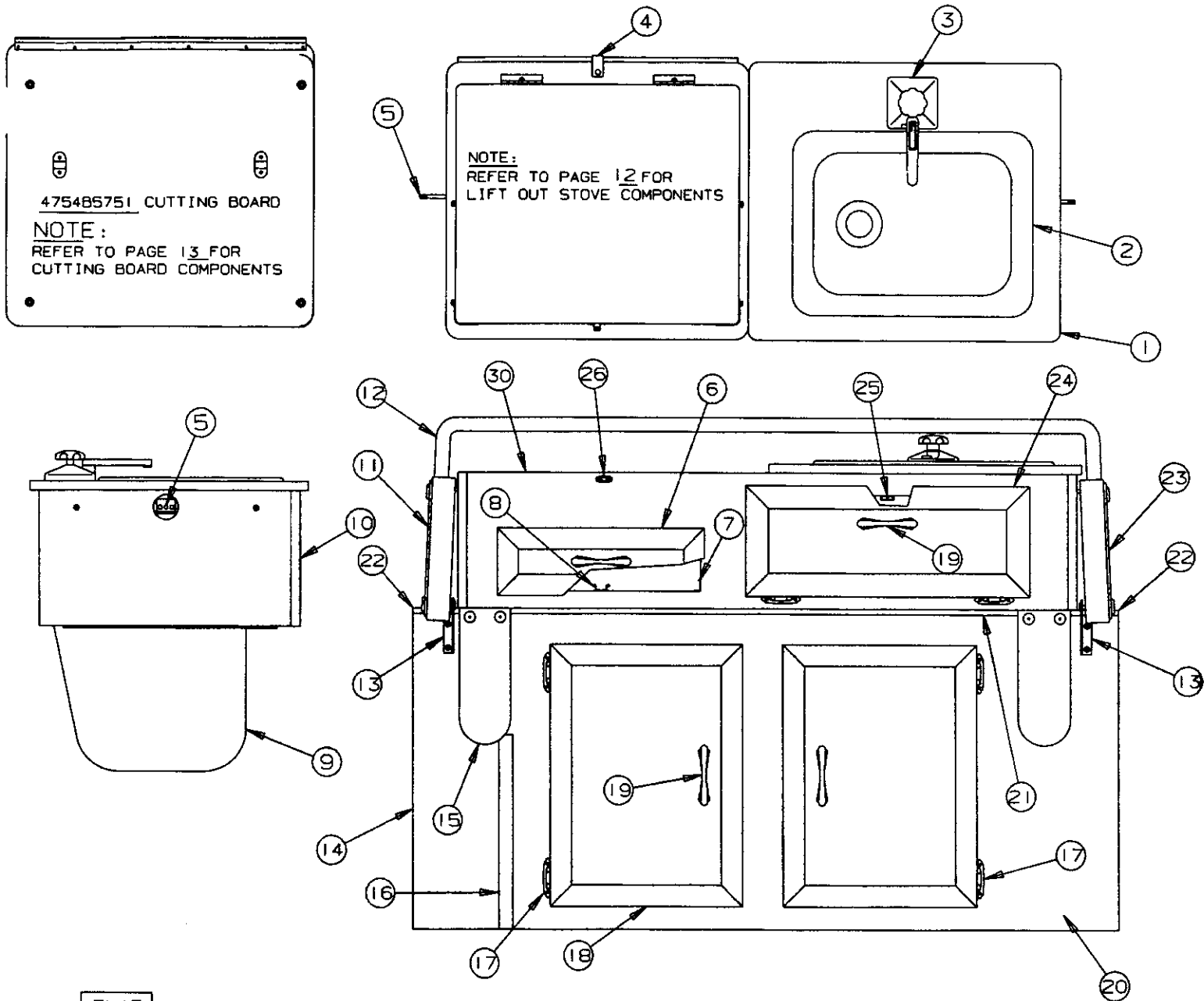


FLAT RATE

UPPER GALLEY ASSEMBLY 3251 RIO, 3294 WESTLAKE

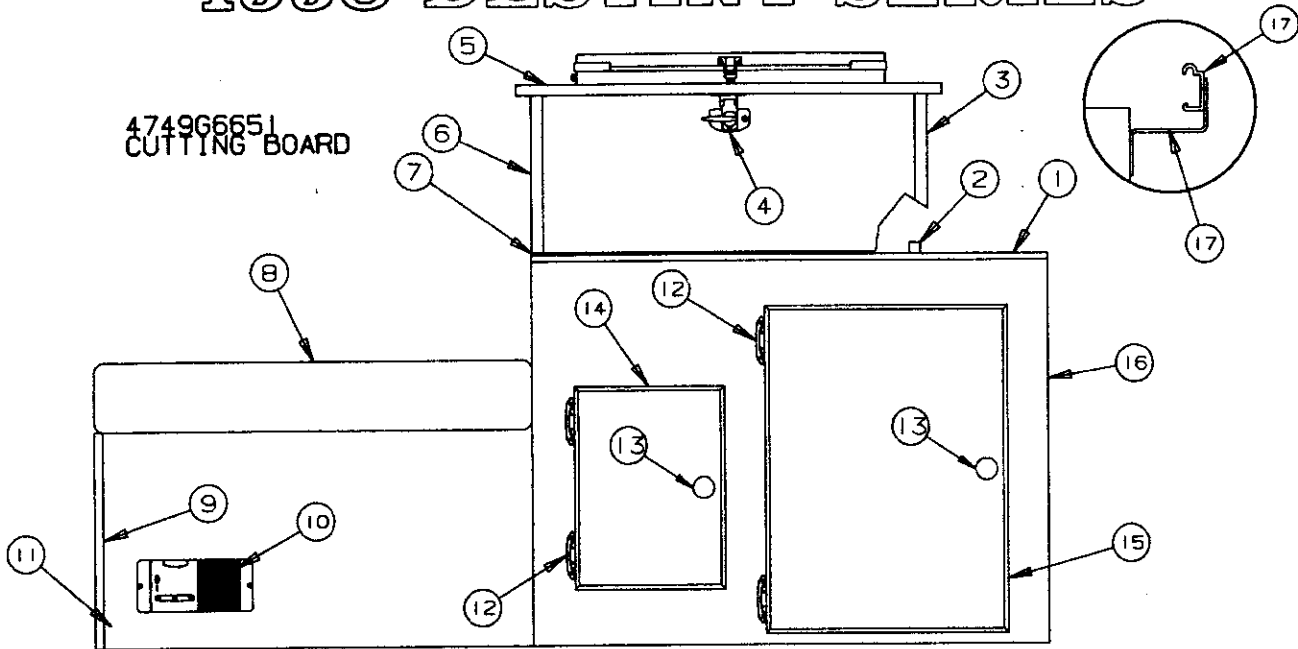
1.00	①	4752A4641	UPPER GALLEY TOP	.15	⑮	4757A5211	DOOR PNL. 5 3/4" x 11 3/4"
1.25		4754A4051	UPPER GALLEY TOP W/HOT WATER	.10	⑯	4745C26188	HINGE (SPRING LOADED)
.30		4060400089P	T-MOLDING 14' PC. PACKAGED	.10	⑰	4755-2681	DOOR PULL W/ SCREWS
.30	②	4710F0301	SINK	.75	⑱	4756C0521	LOWER GALLEY FRT. LT. FILLER ASSY.
.80		4745B2801	SINK W/HOT WATER	.50	⑲	4750B6731	LOWER GALLEY FRT. (LARGE)
			NOTE: REFER TO PAGE 12 FOR SINK COMPONENTS	.50 *	⑳	4754E3841	DOOR PANEL 12" x 9 1/8"
.40	③	4734D0161	HAND PUMP	.15	㉑	4756-5161	BUILT-IN COOLER
1.00		4745D2741	MIXER FAUCET W/HOT WATER	.50	㉒	4754A0481	LOWER GALLEY TOP 3291, 94
.10	④	4723B5061	SAFETY STRAP	1.50 *	㉓	4754B3831	KILL SWITCH M4
.75	⑤	4752A9271	UPPER GALLEY PIVOT LT. OR RT.	.20		4746A0971	PLASTIC CHAIN COVER RT.
	⑥	4734E1861	RIVET "ELM" M25	.15	㉔	4750-8941	DOOR PNL. 9 7/8" x 20 1/8"
.10	⑦	4743-3551	FURNACE GRILL "ELM"	.15	㉕	4756-6281	LATCH & STRIKE PKG.
.65	⑧	4752C8751	LOWER GALLEY FRT. RT.	.15	㉖	4733-6391	DRAWER ASSY. x2
.65	⑨	4716C0151	3/8" F-CHANNEL 24" PC.	.10	㉗	4754A5301	PLASTIC SLIDE TACK
1.00	⑩	4756-151	GALLEY LIFT BAR	.05	㉘	4749-8398	DRAWER GUIDE 23" PC.
.50		4744-6321	CHAIN ASSY. x2 PER BAR	.25	㉙	4754-0721	LATCH
.15	⑪	4750-8951	PLASTIC CHAIN COVER LT.	.10	⑳	4750-2978	BRASS SCREW x2
.60	⑫	4716-1821	LOWER GALLEY BRKT. PKG. LT. & RT.			4754-0608	BRASS NUT x2
		4744D4601	PAINTED RIVET M25			4754-0618	
.75	⑬	4756A0541	LOWER GALLEY TOP LT. (SMALL)				
.75	⑭	4754A3881	SEAT GAZOODI 3294				
.75		4753B2821	SEAT GAZOODI 3251				
.30		4060400087P	T-MOLDING 12' PC. PACKAGED				

REPAIR PARTS/FLAT RATE



FLAT RATE	UPPER GALLEY ASSY. 3291 MESA	
1.00	①	4752A4641 UPPER GALLEY TOP
1.25		4754A4051 UPPER GALLEY TOP W/ HOT WATER
.30		4060400089P T-MOLDING 14' PC. PACKAGED
.30	②	4710F0301 SINK
.80		4745B2801 SINK W/HOT WATER
		NOTE: REFER TO PAGE 12 FOR SINK COMPONENTS
.40	③	4734D0161 HAND PUMP
1.00		4745D2741 MIXER FAUCET W/HOT WATER
		NOTE: REFER TO PAGE 11 FOR PUMP COMPONENTS
		4716-081 SCREW x4
.10	④	4723B5061 SAFETY STRAP
.75	⑤	4752A9271 UPPER GALLEY PIVOT LT. OR RT.
		4734E1861 RIVET "ELM" M25
.10	⑥	4754A5301 DRAWER ASSY.
.05	⑦	4749-8398 PLASTIC SLIDE TACK
.25	⑧	4754-0721 DRAWER GUIDE 23" PC.
.25	⑨	4753C2831 GALLEY LEG x2
.65	⑩	4716C0151 3/8" F-CHANNEL 24" PC.
.15	⑪	4753-1341 PLASTIC CHAIN COVER LT.
1.00	⑫	4756-056 GALLEY LIFT BAR
.50		4753-1361 CHAIN ASSY. x2 PER BAR
.60	⑬	4716-1821 GALLEY BRKT. PKG. LT. & RT.
		4744D4601 PAINTED RIVET M25
.75	⑭	4754-8351 LOWER GALLEY FRNT. LT.
.15	⑮	4753A6531 HOLE COVER x2
.10	⑯	4756-053 H-CHANNEL
.10	⑰	4745C26188 HINGE (SPRING LOADED)
.15	⑱	4756-5141 DOOR PNL. 13 3/4" x 18 1/2"
.10	⑲	4755-2681 DOOR PULL W/ SCREWS
.75	⑳	4755A0711 LOWER GALLEY FRNT.
.75	㉑	4755A1381 LOWER GALLEY TOP "LARGE"
		4744D4601 PAINTED RIVET M25
.20		4746A0971 KILL SWITCH M4
.50	㉒	4754A4791 LOWER GALLEY TOP "SMALL"
.15	㉓	4753-1351 PLASTIC CHAIN COVER RT.
.15	㉔	4756-5151 DOOR PNL. 7 3/4" x 20"
.15	㉕	4733-6391 LATCH & STRIKE PKG.
.10	㉖	4750-2978 LATCH
		4754-0608 BRASS SCREW x2
		4754-0618 BRASS NUT x2

1998 DESTINY SERIES

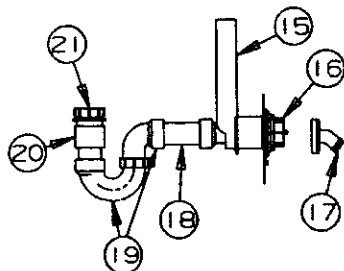
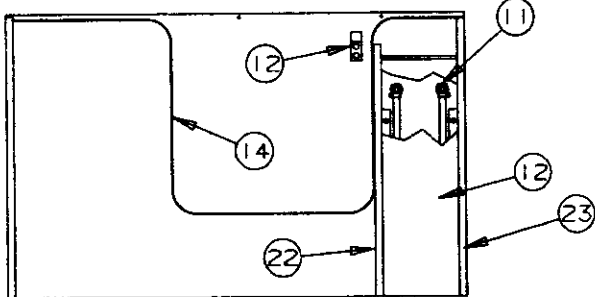
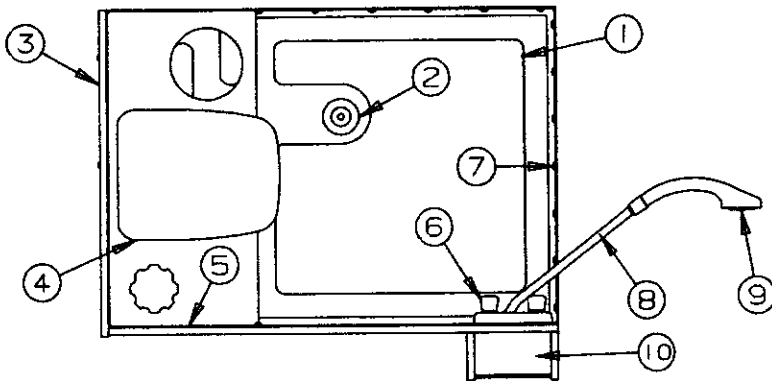


474966651
CUTTING BOARD

*ADD .50 W/HEATER
CURBSIDE SEAT/STOVE CABINET COMPONENTS - 3270 REDWOOD

FLAT RATE

.75	①	4754-4841	CABINET TOP	.20	⑨	4754-8591	HUTCH SEAT END
.15	②	4724-2608	STOP BUTTON	.25	⑩	4753-9171	LP GAS DETECTOR
.50	③	4757-5131	STOVE CABINET BOX (LESS STOVE)	.30	⑪	4754-8581	SEAT FRONT
.05	④	4754-0501	LATCH	.10	⑫	4745C26188	HINGE (SPRING LOADED)
.65	⑤	NOTE REFER TO PAGE 11 FOR STOVE COMPONENTS		.10	⑬	4748A3951	DOOR PULL (INCLUDES SCREW)
.25	⑥	4716C0151	3/8" F-CHANNEL 24" PC.	.15	⑭	4754A0561	DOOR PANEL 14" x 9 1/8"
.10	⑦	4754A8781	HINGE	.15	⑮	4754-8751	DOOR PANEL 19" x 14 1/4"
.20	⑧	4757-5081	HUTCH CUSHION ASSY.	1.00*	⑯	4754-4831	CABINET FRONT
		4716-5081	HUTCH CUSHION COVER	.35	⑰	4754-0461	STOVE SUPPORT BRKT.
				.35	⑱	4750A8481	STOVE SUPPORT

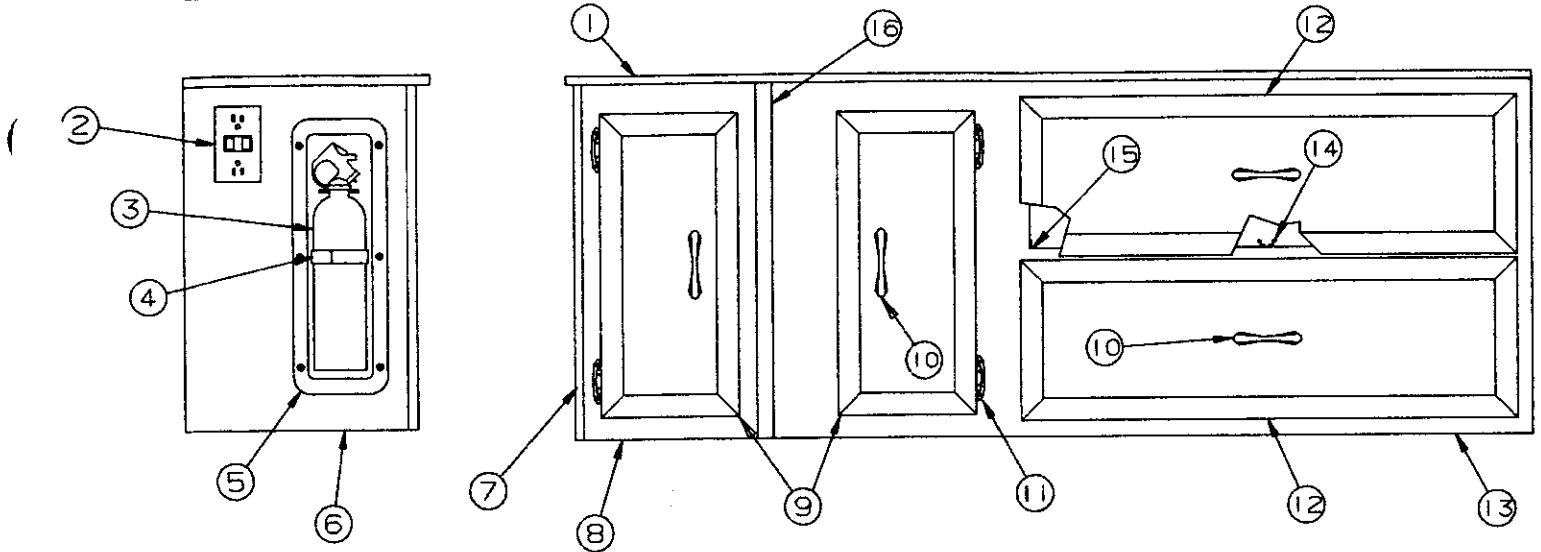


FLAT RATE

POTTI/SHOWER CABINET-3294 WEST LAKE

1.50	①	4753-3491	SHOWER PAN
		4060000406F	TUB SEAL SOLD/FOOT
.50	②	4746A1821	BASKET & STRAINER
2.00	③	4754A3861	SHOWER WALL-3.0 W/REFRIGERATOR
.75	④	4746C2461	CASSETTE POTTI
	⑤	4060000403F	1/4" FOAM TAPE SOLD/FOOT
.50	⑥	4741B2071	SHOWER DIVERTER
.10		4716-0848	SHOWER HOSE CONNECTOR
	⑦	4739E2908	SCREW CAP M10
		4739-2918	SCREW CAP WASHER M10
.20	⑧	4741B2051	SHOWER HOSE (69" LENGTH)
.15	⑨	4746A3761	SHOWER HEAD W/BACKET
.10	⑩	4755B0051	TOP SHELF
	⑪	NOTE:REFER TO PAGE 34 FOR THIS ITEM	
.25	⑫	4755B0161	LUAN FACE PLATE
		4060015602	5/32" U-CANNEL
.10	⑬	4720A0721	COOLER CLIP M2
1.50	⑭	4753C4951	SHOWER THRESHOLD
.30		4060450002P	LIPPED T-MOLDING 7' PC. PACKAGED
1.00	⑮	4741B9301	VENT SYSTEM
.10	⑯	4714A2861	CAP & STRAP
		4749-4131	SHOWER DRAIN GASKET
	⑰	4737-9138	DRAIN ADAPTER
1.00	⑱	1 1/2" DRAIN PIPE (PURCHASE LOCALLY)	
.40	⑲	4752-3621	P-TRAP W/UNION JOINT
.50	⑳	4746-4991	1 1/2" COUPLER
.50	㉑	4741A9331	TRAP ADAPTER
		4752-3631	RUBBER WASHER
.25	㉒	4755A0061	CAB. SIDE LT.
.50	㉓	4755B0071	CAB. SIDE RT.

REPAIR PARTS/FLAT RATE

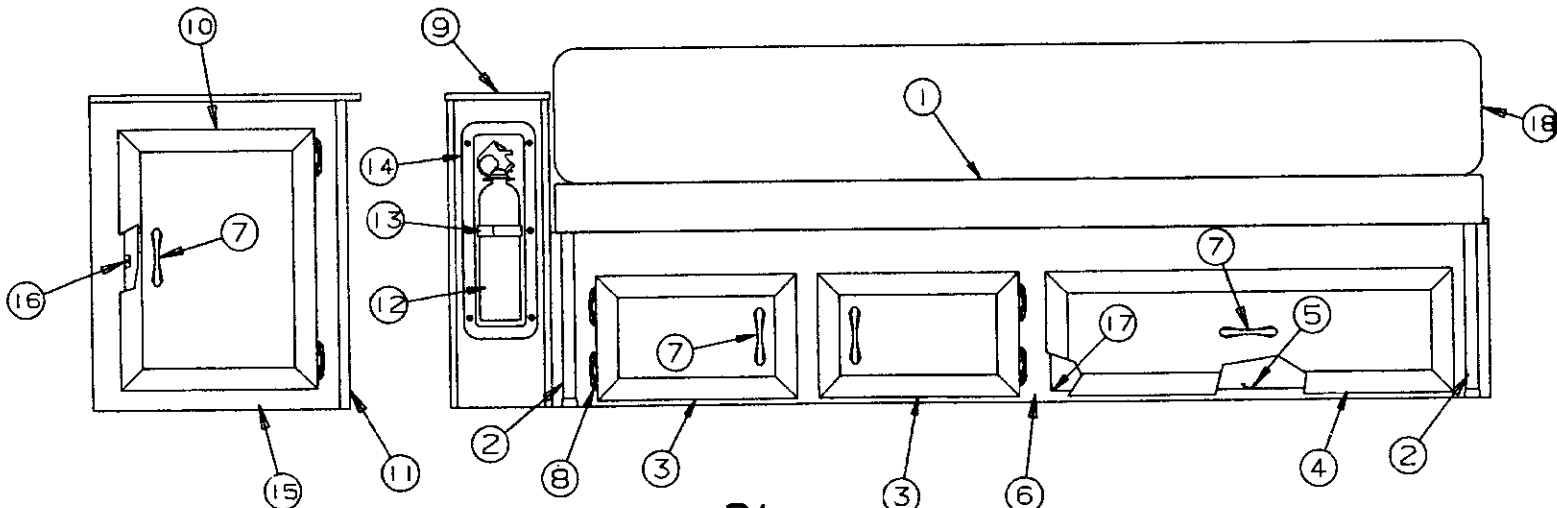


FLAT RATE CURBSIDE HUTCH ASSEMBLY - 3289 SANTA FE

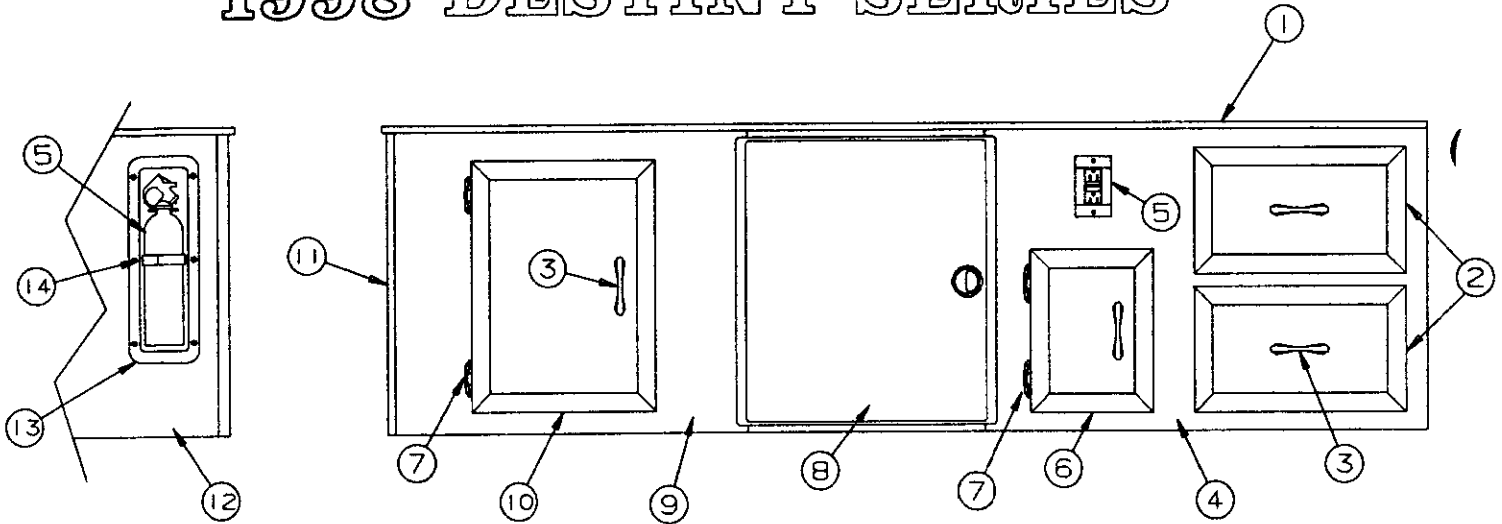
.75	① 4754B0511	HUTCH TOP	.15	⑨ 4756-5291	DOOR PANEL 19 1/4" x 8 3/4"
.30	4060462502P	T-MOLDING 8' PC. PACKAGED	.10	⑩ 4755-2681	DOOR PULL (INCLUDES SCREWS)
.35	② 4752-2361	15 AMP RECEPTACLE "WHITE"	.10	⑪ 4745C26188	HINGE (SPRING LOADED)
.10	③ 4737A5558	FIRE EXTINGUISHER	.10	⑫ 4754A5291	DRAWER ASSY.
.05	④ 4716-1191	FIRE EXTINGUISHER STRAP M2	1.25	⑬ 4754B0551	HUTCH FRONT "LARGE"
.15	⑤ 4737B4198	RECESSED MOUNT	.25	⑭ 4754-0721	DRAWER GUIDE 23"
	4738-3088	SCREW x6	.05	⑮ 4749-8398	DRAWER SLIDE TACK
.55	⑥ 4754B0521	HUTCH SIDE	1.00	⑯ 4754A054	3/8" H-CHANNEL
.65	⑦ 4716C0151	3/8" F-CHANNEL 24" PC.			
.50	⑧ 4754B0491	HUTCH FRONT "SMALL"			

FLAT RATE CURBSIDE HUTCH/BED ASSEMBLY - 3296 CHEYENNE

.25	① 4754D5561	CUSHION ASSY. LESS LEGS	.25	⑨ 4754A1631	CABINET TOP
.25	4716D5561	CUSHION COVER	.15	⑩ 4756-5141	DOOR PANEL 18 1/2" x 13 3/4"
.25	② 4753B5521	CUSHION LEG x2	.65	⑪ 4716C0151	3/8" F-CHANNEL 24" PC.
.05	4752-0551	PLASTIC CAP M2	.10	⑫ 4737A5558	FIRE EXTINGUISHER
.15	③ 4756-5301	DOOR PANEL 15" x 9 1/4"	.05	⑬ 4716-1191	FIRE EXTINGUISHER STRAP M2
.10	④ 4754A5541	DRAWER ASSY.	.15	⑭ 4737B4198	RECESSED MOUNT
.25	⑤ 4754-0721	DRAWER GUIDE 23" MUST CUT TO SIZE		4738-3088	SCREW x6
1.25	⑥ 4754D1641	HUTCH FRONT	.50	⑮ 4754E1621	HUTCH SIDE
.10	⑦ 4755-2681	DOOR PULL (INCLUDES SCREWS)	.15	⑯ 4733-6391	LATCH & STRIKE PKG.
.10	⑧ 4745C26188	HINGE (SPRING LOADED)	.05	⑰ 4749-8398	DRAWER SLIDE TACK
			.10	⑱ 4754C5571	BACKREST ASSY.
			.10	4716C5571	BACKREST COVER



1998 DESTINY SERIES



* .50 W/HEATER

FLAT RATE

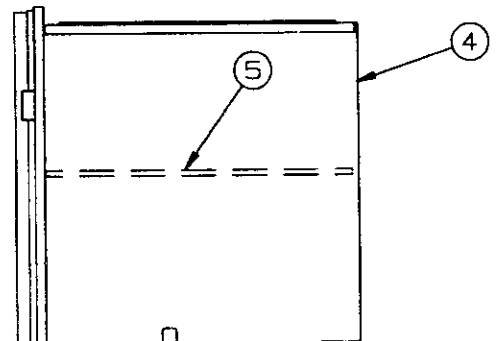
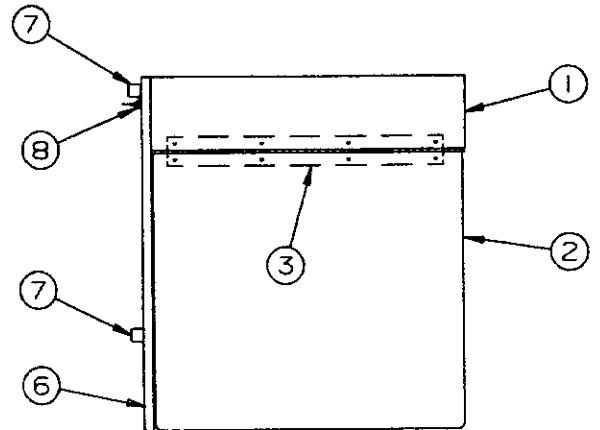
CURBSIDE HUTCH 3281 NATCHEZ

1.50 *	① 4756-2911	HUTCH TOP	.50	⑨ 4756-2891	HUTCH FRONT LT.
.30	4060462502P	T-MOLDING 8' PC. PACKAGED	.15	⑩ 4756-5141	DOOR ASSY. 18 1/2" x 13 3/4"
.20	② 4756-5171	DRAWER ASSY. x2		⑪ 4716C0151	3/8" F-CHANNEL 24" PC.
.10	③ 4755-2681	DOOR PULL (INCLUDES SCREWS)	1.00	⑫ 4756-1821	HUTCH SIDE
1.00	④ 4756-2901	HUTCH FRONT RT.	.15	⑬ 4737B4198	RECESSED MOUNT
.15	⑤ 4737A5558	FIRE EXTINGUISHER		4738-3088	SCREW x6
.15	⑥ 4756-5161	DOOR PNL. 12" x 9 1/8"	.05	⑭ 4716-1191	FIRE EXTINGUISHER STRAP M2
.10	⑦ 4745C26188	HINGE (SPRING LOADED)			
.50	⑧ 4754A0481	BUILT-IN COOLER			

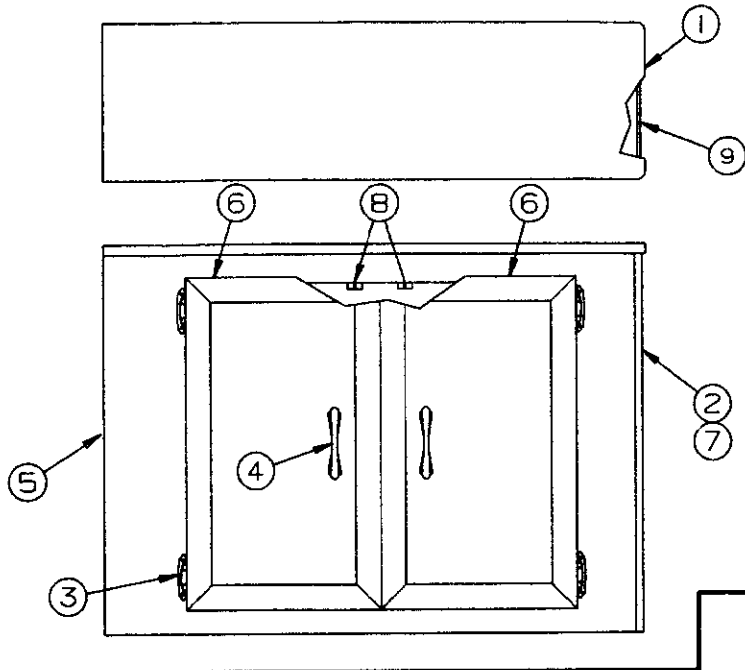
FLAT RATE

ROADSIDE CORNER CABINET 3281 NATCHEZ

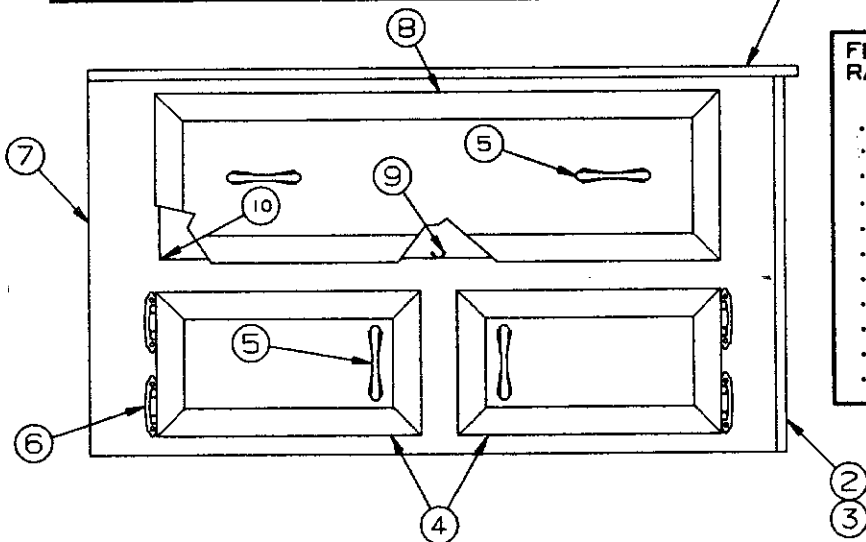
.30	① 4756-3121	CABINET TOP (FIXED)
.30	② 4756-3131	CABINET TOP
.30	4060400088P	T-MOLDING 8' PC. PACKAGED
.30	③ 4756-3531	HINGE
.40	④ 4756-2901	HUTCH FRONT RT.
.05	⑤ 4756-3161	SHELF x2
	⑥ 4756-0011	GAZOODI
.25	⑦ 4755A8201	NYLON BLOCK
.25	⑧ 4755-411	VERTICAL EXTRUSION
	⑨ 4064700589P	SLIDEOUT SIDE SEAL



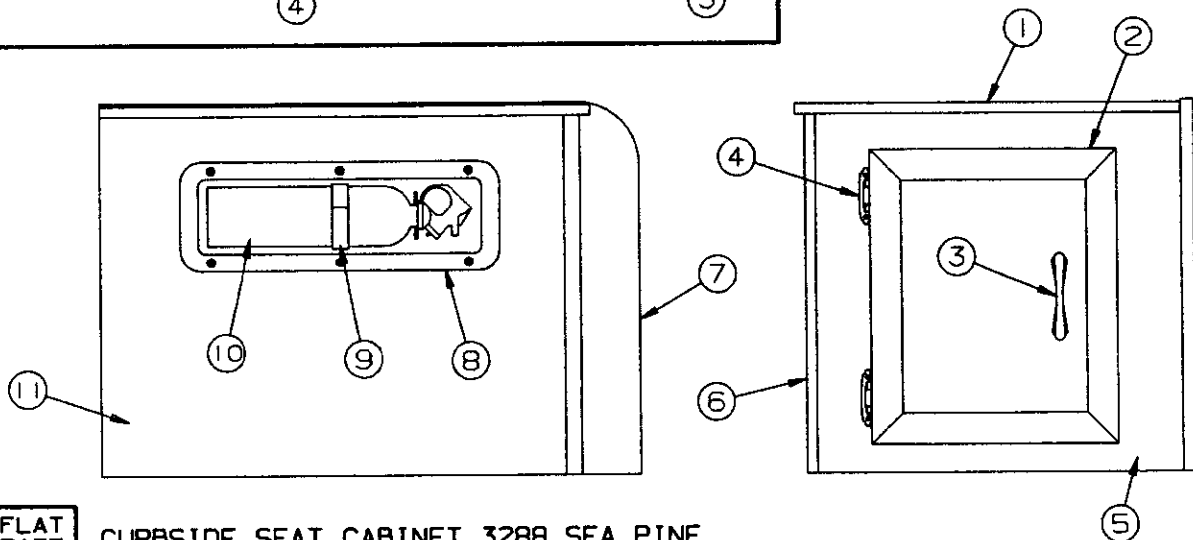
REPAIR PARTS/FLAT RATE



FLAT RATE	DOOR-WAY HUTCH ASSEMBLY 3251, 3291, 3294
.25	① 4756A0611 HUTCH TOP 3251
.25	4755-3851 HUTCH TOP 3291
.25	4754A3981 HUTCH TOP 3294
.30	4060462502P T-MOLDING 8' PC. PACKAGED
.65	② 4716C0151 3/8" F-CHANNEL 24" PC.
.10	③ 4745C26188 HINGE (SPRING LOADED)
.10	④ 4755-2681 DOOR PULL (INCLUDES SCREWS)
.30	⑤ 4754D3971 HUTCH SIDE 3251, 94
.30	4752E4691 HUTCH SIDE 3291
.15	⑥ 4756-5141 DOOR PNL. 13 3/4"x18 1/2"
.15	⑦ 4737B4198 RECESSED MOUNT
	4738-3088 SCREW x6
.10	4737A5558 FIRE EXTINGUISHER
.05	4716-1191 FIRE EXTINGUISHER STRAP M2
.15	⑧ 4733-6391 LATCH & STRIKE PKG.
.30	⑨ 4752C49581 HUTCH FRONT 3251
.30	4752D4951 HUTCH FRONT 3291
.30	4754B3961 HUTCH FRONT 3294

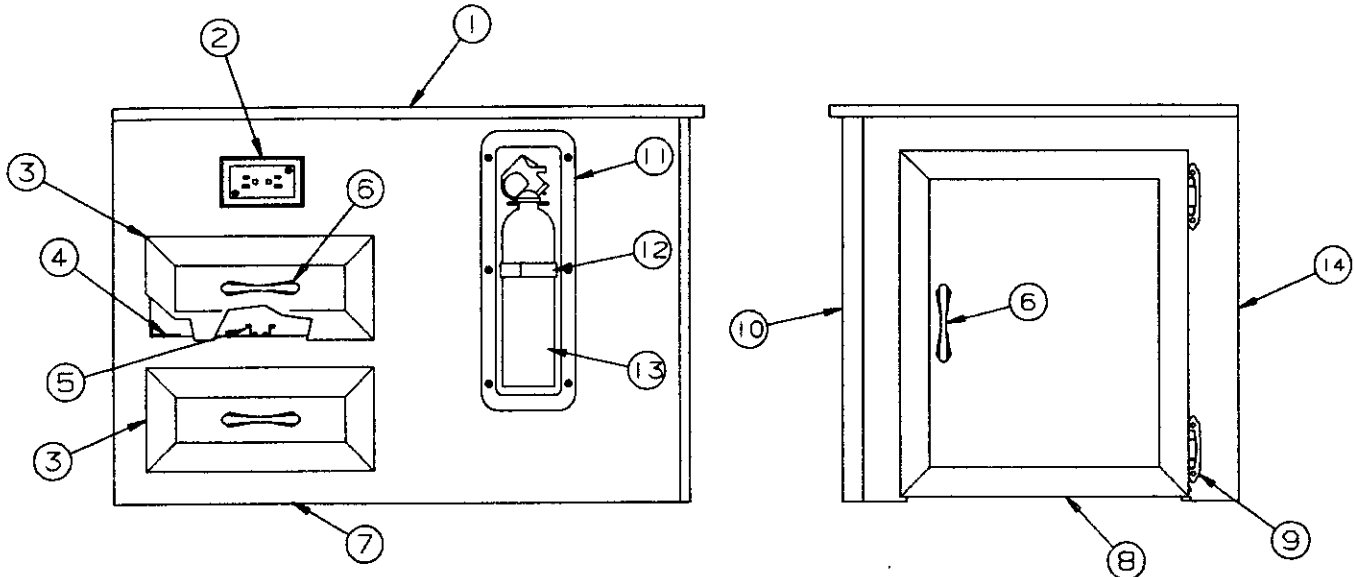


FLAT RATE	"CSF" CORNER CABINET 3294 WEST LAKE
.35	① 4753B2741 CABINET TOP
.30	4060462502P T-MOLDING 8' PC. PACKAGED
.65	② 4716C0151 3/8" F-CHANNEL 24" PC.
.30	③ 4753B2761 CABINET SIDE
.15	④ 4756-6891 DOOR PNL. 15" x 7 3/4"
.10	⑤ 4755-2681 DOOR PULL (INCLUDES SCREWS)
.10	⑥ 4745C26188 HINGE (SPRING LOADED)
.40	⑦ 4753B2771 CABINET FRONT
.10	⑧ 4754A6641 DRAWER ASSY.
.25	⑨ 4754-0721 DRAWER GUIDE 23" PC.
.05	⑩ 4749-8398 CORNER TACK x2



FLAT RATE	CURBSIDE SEAT CABINET 3288 SEA PINE
.25	① 4754A3421 CABINET TOP
.15	② 4756-6861 DOOR PNL. 15" x 15 1/4"
.10	③ 4755-2681 DOOR PULL (INCLUDES SCREWS)
.10	④ 4745C26188 HINGE (SPRING LOADED)
.50	⑤ 4754B3401 CABINET FRONT
.65	⑥ 4716C0151 3/8" F-CHANNEL 24" PC.
.75	⑦ 4754A3771 GAZ0001
.15	⑧ 4737B4198 RECESSED MOUNT
.05	⑨ 4716-1191 FIRE EXTINGUISHER STRAP M2
.10	⑩ 4737A5558 FIRE EXTINGUISHER
.55	⑪ 4754A3411 CABINET SIDE

1998 DESTINY SERIES

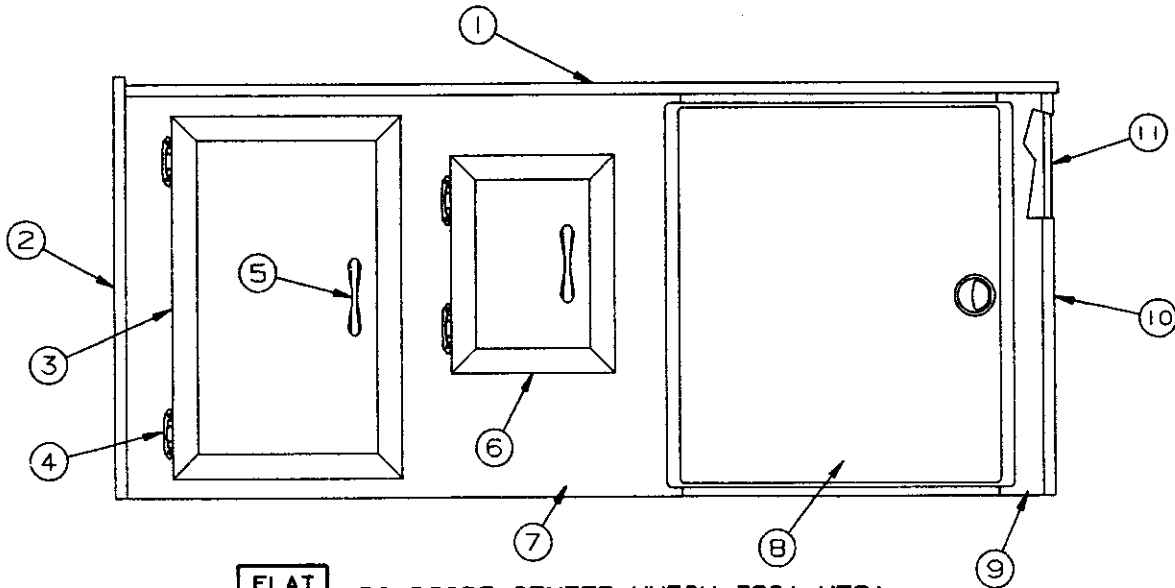


FLAT RATE

CURBSIDE FRT. CORNER CABINET ASSY. 3251

*USED ON TRAILERS PRIOR TO 9/22/97
**USED ON TRAILERS DATED 9/22/97 THEREAFTER

.25	①	4754-9131	CABINET TOP	.15	⑧	*4756-5141	DOOR PNL. 13 3/4" x 18 1/2"
.30		4060462502P	T-MOLDING 8' PC. PACKAGED	.15		**4757-5461	DOOR PNL. 16" x 19"
.20	②	4752-2361	RECEPTACLE	.10	⑨	4745C26188	HINGE (SPRING LOADED)
.10	③	4757-5291	DRAWER ASSY. x2	.35	⑩	4716C0151	3/8" F-CHANNEL 24" PC.
.20	④	4749-8398	PLASTIC SLIDE TACK	.15	⑪	473784198	RECESSED MOUNT
.10	⑤	4754-0721	DRAWER GUIDE 23" PC.	.05	⑫	4716-1191	FIRE EXTINGUISHER STRAP M2
.10	⑥	4755-2681	DOOR PULL (INCLUDES SCREWS)	.10	⑬	4737A5558	FIRE EXTINGUISHER
.75	⑦	*4753C2091	CABINET FRONT	.45	⑭	*4753C2081	CABINET SIDE
.75		**4753D2091	CABINET FRONT	.45		**4753D2081	CABINET SIDE



FLAT RATE

ROADSIDE CENTER HUTCH 3291 MESA

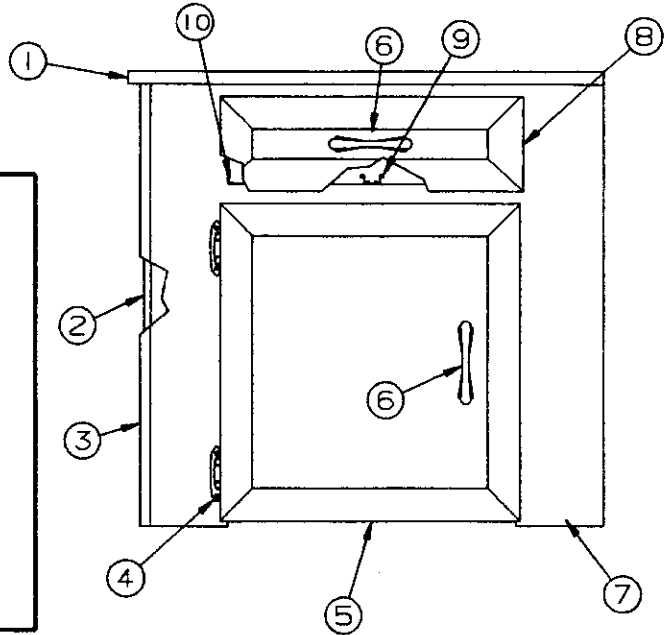
*.50 W/HEATER

1.50 *	①	4752B4601	HUTCH TOP
.30		4060462502P	T-MOLDING 8' PC. PACKAGED
.20	②	4755-2901	HUTCH SIDE LT.
.15	③	4756-5141	DOOR PNL. 13 3/4" x 18 1/2"
.10	④	4745C26188	HINGE (SPRING LOADED)
.10	⑤	4755-2681	DOOR PULL (INCLUDES SCREWS)
.15	⑥	4756-5161	DOOR PNL. 12" x 9 1/8"
1.00 *	⑦	4752D4551	HUTCH FRONT
.50	⑧	4754A0481	BUILT-IN COOLER
.75	⑨	4755-2941	HUTCH FRONT (SMALL)
.65	⑩	4716C0151	3/8" F-CHANNEL 24" PC.
1.00	⑪	4752C4571	HUTCH SIDE RT.

REPAIR PARTS/FLAT RATE

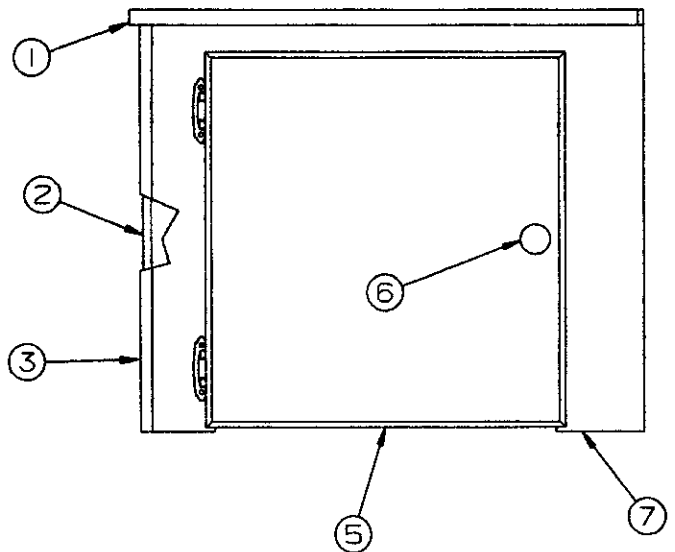
FLAT RATE "CSF" CORNER CABINET ASSY. - 3289, 3296

.25	①	4754B0691	CABINET TOP 3289
.25		4754A1831	CABINET TOP 3296
.30		4060462502P	T-MOLDING 8' PC. PACKAGED
.30	②	4754B0701	CABINET SIDE 3289
.30		4754C1841	CABINET SIDE 3296
.65	③	4716C0151	3/8" F-CHANNEL 24" PC.
.10	④	4745C26188	HINGE (SPRING LOADED)
.15	⑤	4756-6861	DOOR PNL. 15" x 15 1/4" 3289
.15		4756-5371	DOOR PNL. 16" x 15 1/4" 3296
.15		4733-6391	LATCH & STRIKE PKG.
.10	⑥	4755-2681	DOOR PULL (INCLUDES SCREWS)
.50	⑦	4754B0681	CABINET FRONT 3289
.50		4754A8211	CABINET FRONT 3296
.10	⑧	4754A5301	DRAWER ASSEMBLY 3289, 3296
.25	⑨	4754-0721	DRAWER GUIDE
.05	⑩	4749-8398	PLASTIC CORNER TACK



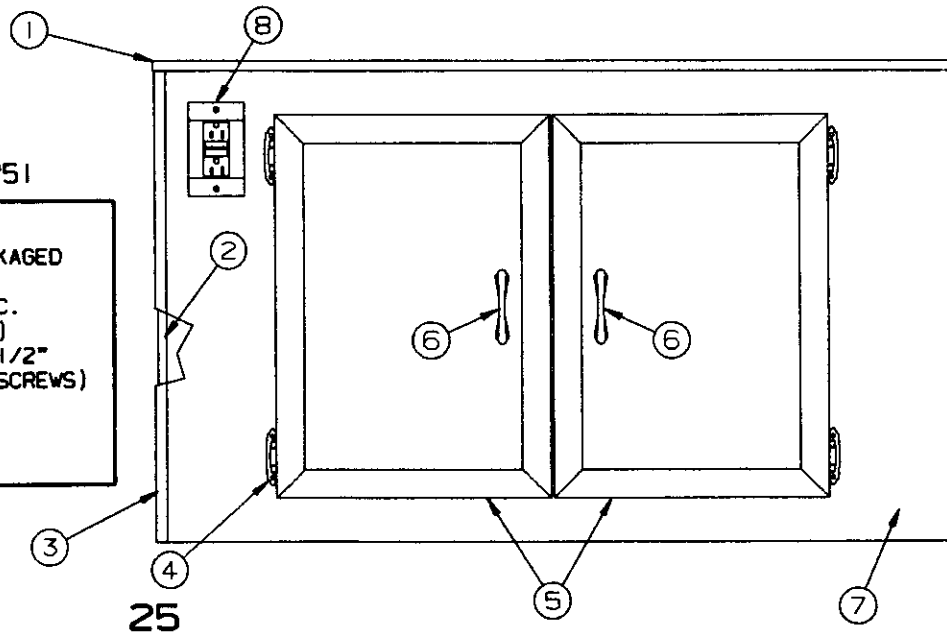
FLAT RATE "CSF" CORNER CABINET ASSY. - 3270, 75

.25	①	4754-9061	CABINET TOP 3270
.25		4747C3321	CABINET TOP 3275
.30		4060462502P	T-MOLDING 8' PC. PACKAGED
.30	②	4747E3351	CABINET SIDE (BOTH)
.65	③	4716C0151	3/8" F-CHANNEL 24" PC.
.10	④	4745C26188	HINGE (SPRING LOADED)
.15	⑤	4754A0711	DOOR PANEL 16 1/8" x 15 1/4"
.15		4733-6391	LATCH & STRIKE PKG.
.10	⑥	4748A3951	DOOR PULL (INCLUDES SCREW)
.50	⑦	4747E3281	CABINET FRONT (BOTH)

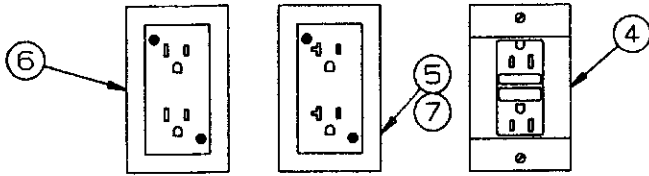


FLAT RATE "RS" FRONT CABINET ASSY. 3251

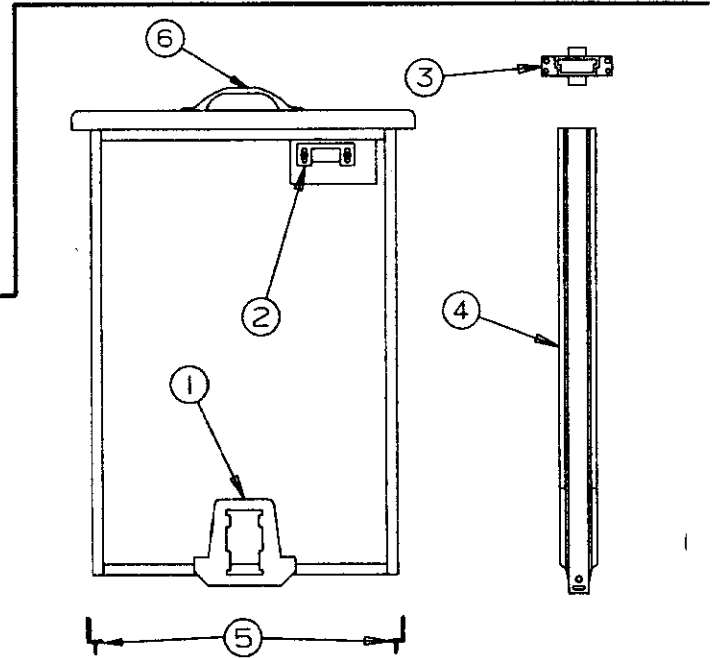
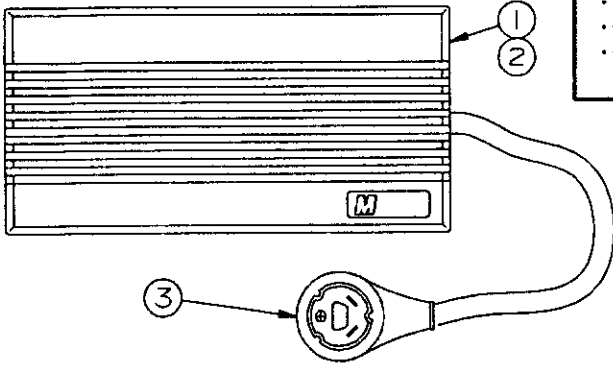
.25	①	4755A2881	CABINET TOP
.30		4060462502P	T-MOLDING 8' PC. PACKAGED
.30	②	4754-9141	CABINET SIDE
.65	③	4716C0151	3/8" F-CHANNEL 24" PC.
.10	④	4745C26188	HINGE (SPRING LOADED)
.15	⑤	4756-5141	DOOR PNL. 13 1/2" x 18 1/2"
.10	⑥	4755-2681	DOOR PULL (INCLUDES SCREWS)
.50	⑦	4755A2891	CABINET FRONT
.35	⑧	4746B3841	G.F.I RECEPTACLE



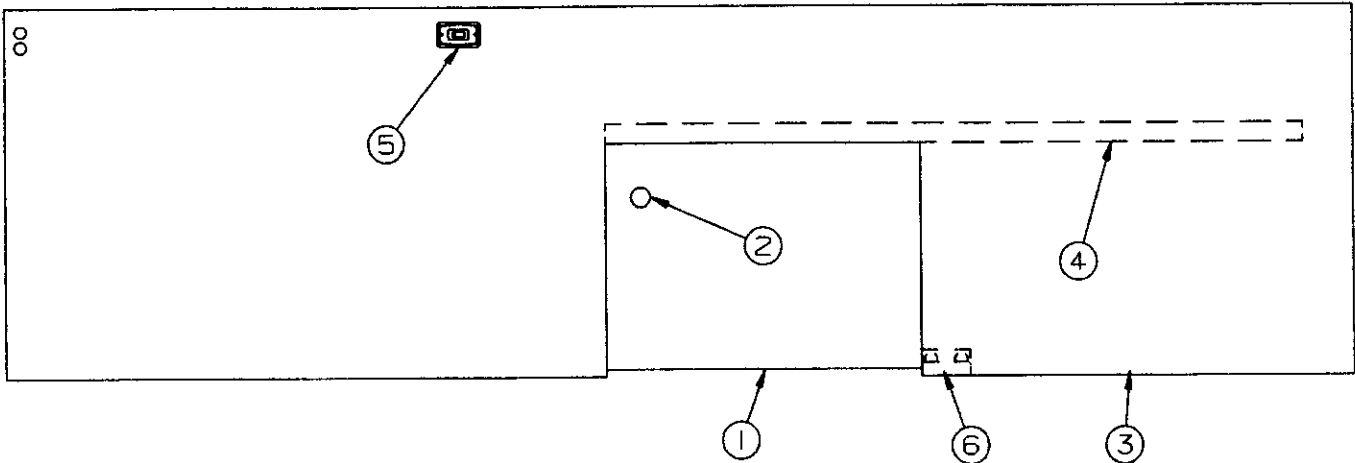
1998 DESTINY SERIES



FLAT RATE		CONVERTER AND RELATED PARTS	
1.00	① 4742A9811	CONVERTER 12 AMP (ALL EXCEPT 3294)	
		NOTE: UNITS W/HOT WATER STANDARD WILL USE 4750A1111 CONVERTER	
1.00	4750A1111	CONVERTER 20 AMP 3294 ONLY	
.15	② 4716-1301	CONVERTER FACE COVER (PLASTIC)	
.60	③ 4744-3101	POWER CORD 30 FT.(ALL)	
.35	④ 4746B3841	GFI RECEPTACLE W/COVER (WHITE)	
.20	⑤ 4752-2371	20 AMP RECEPTACLE W/COVER (WHITE)	
.20	⑥ 4752-2361	15 AMP RECEPTACLE W/COVER (WHITE)	
	⑦ 4746A3851	RECEPTACLE BOX	

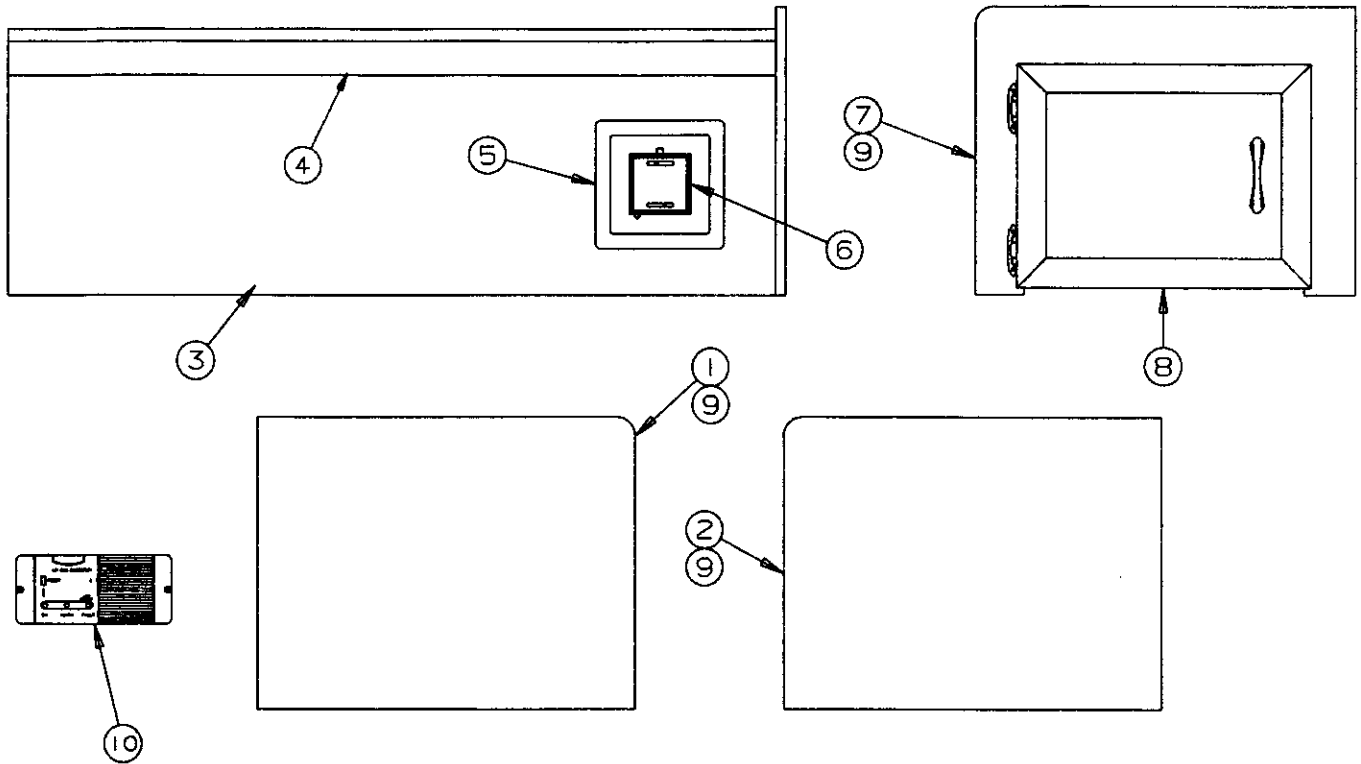


FLAT RATE		DRAWER ASSY. COMPONENTS	
.15	① 4749-8371	PLASTIC DRAWER GUIDE	
.15	② 4749-8381	PLASTIC DRAWER LATCH	
.15	③ 4749-8361	PLASTIC GUIDE SOCKET	
.25	④ 4754-0721	METAL DRAWER GUIDE	
.05	⑤ 4749-8398	PLASTIC CORNER TACK	
.15	⑥ 4755-2681	DOOR PULL W/SCREWS	



FLAT RATE		FRONT STORAGE WALL W/SLIDING DOOR - 3251, 3296	
.25	① 4751E2691	SLIDING DOOR PANEL	.15 ⑤ 4751-1161
.10	② 4748D3951	DOOR PULL (INCLUDES SCREW)	4739-0528
4.00	③ 4756A2081	3/8" BULKHEAD 3251	.20 ⑥ 4754-2861
4.00	4754B1881	3/8" BULKHEAD 3296	DOOR BRKT. PACKAGE
.35	④ 4716-4021	DOOR SLIDE TRACK 48" PC.	

REPAIR PARTS/FLAT RATE

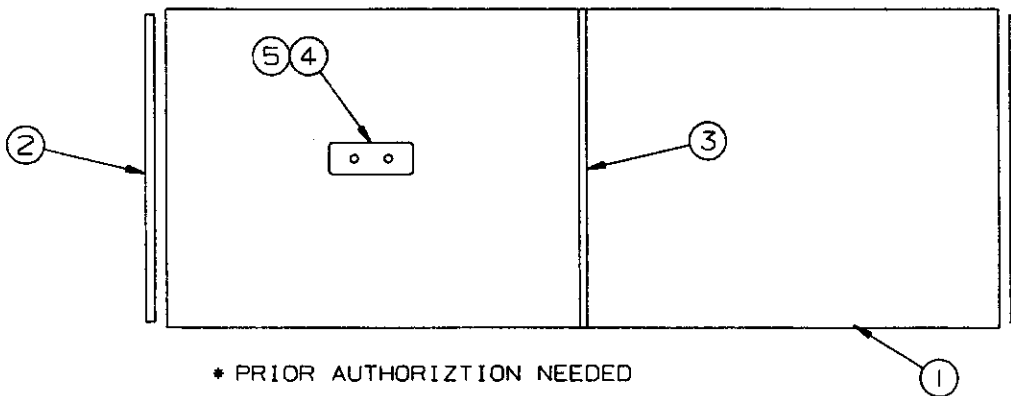


FLAT RATE

SEAT BENCH COMPONENT PARTS

* WARRANTED THROUGH VENDOR

.30	① 4749E9881	SEAT END "CS" BENCH 3275	.50	④ 4754A2391	TABLE REST 59" x 1 3/4"
.30	4754A0371	SEAT END "RS" REAR BENCH 3270,96,81			NOTE: MUST CUT TO SIZE
	4754B0371	SEAT END W/DOOR CUTOUT 3281 GLIDE-OUT	.20	⑤ 4747-8391	PLASTIC BASE & BRKT.
.30	4752B4711	SEAT END "CS" BENCH 3251,3294	*	⑥ 4752-8461	THERMOSTAT
.30	4752A4711	SEAT END "CS" FRONT BENCH 3291	.40	⑦ 4754A3451	SEAT END CSF BENCH 3288
.30	4755-8161	SEAT END "RS" REAR BENCH 3289	.40	4752D4771	SEAT END CSF BENCH 3281,91
.30	② 4754A0351	SEAT END "RS" FRONT 3270,96,81	.15	⑧ 4756-5341	DOOR PNL. 3281,88,91
	4754B0351	SEAT END W/DOOR CUTOUT 3281 GLIDE-OUT	.10	4755-2681	DOOR PULL W/SCREWS
.30	4752A4751	SEAT END "CS" REAR BENCH 3291	.10	4745C26188	HINGE (SPRING LOADED)
.30	4755-8181	SEAT END "RS" FRONT BENCH 3289	.30	⑨ 4060450002P	1/2" T-MOLDING 7' PC. PACKAGED
.50	③ 4716-2721	BENCH PANEL 13 5/8" x 48"	.25	⑩ 4753-9171	LP GAS DETECTOR



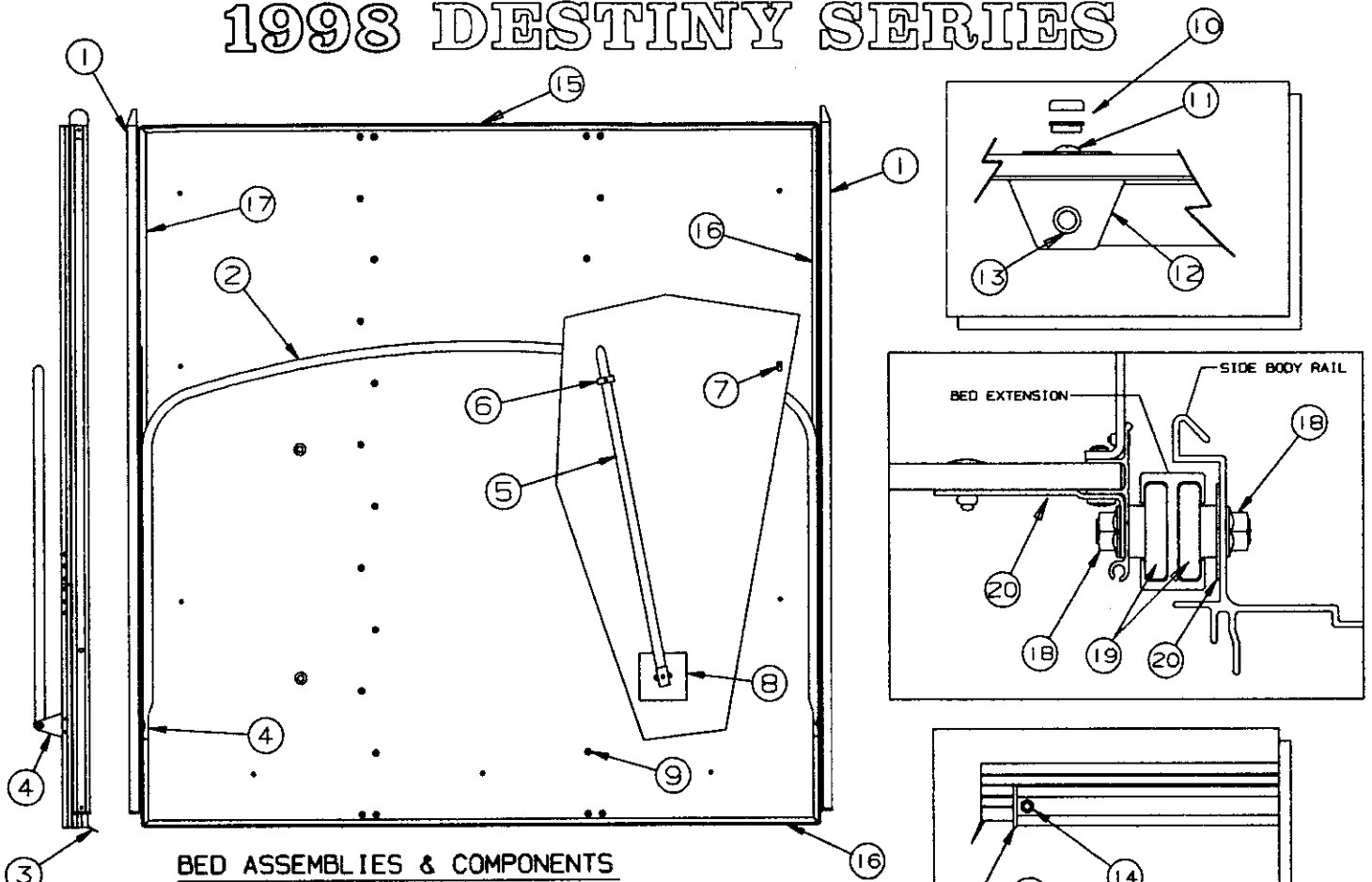
* PRIOR AUTHORIZATION NEEDED

FLAT RATE

PANELING & TRIM (MUST CUT TO SIZE)

*	① 4754A1361	UNIVERSAL WALL PANEL 48x23 13/16
*	② 4716A1321	UNIVERSAL CORNER MOLDING M2 48" PC.
*	③ 4715A1331	UNIVERSAL PANEL DIVIDER M2 48" PC.
.15	④ 4754A0901	GALLEY REST
	⑤ 4755-077	SCREW x2 - 1 3/4"

1998 DESTINY SERIES



BED ASSEMBLIES & COMPONENTS

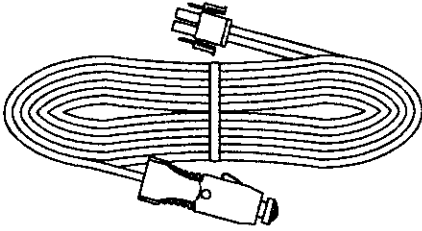
.75	3281,88,89,91,94	4755B5161	FRONT BED (QUEEN)
.75	3251,81,91,94	4754C5691	REAR BED (QUEEN)
.75	3270,88,89,96	4754C5701	REAR BED (DOUBLE)
.75	3251,96	4755C5171	FRONT BED (QUEEN)
.75	3270	4757-5111	FRONT BED (DOUBLE)

FLAT RATE

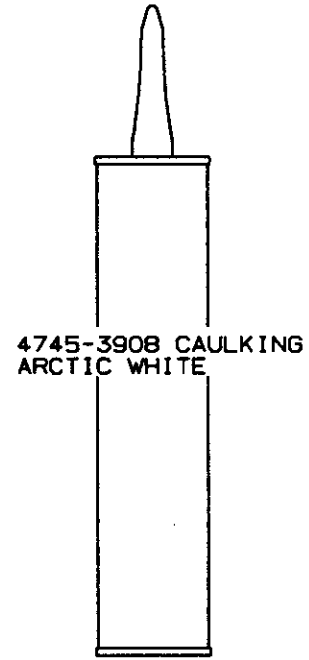
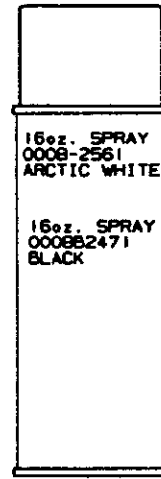
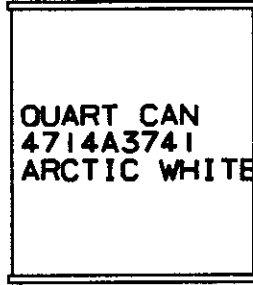
	① 4716U4031	BED EXTENSION (ALL)	
	* NOTE: MUST CUT TO SIZE IF NEEDED FOR DOUBLE BED ASSY.		*.50 FIRST ONE
.25	② 4714B1901	TENT BOW & LEG PACKAGE	.25 SECOND ONE
.25	③ 4060400339F	VINYL BED SEAL (SOLD/FOOT)	
.15	④ 4720G5631	BED BOW BRACKET x2 (ALL)	
.20	⑤ 4734E5881	BED LEG ASSEMBLY M2	
	(USED ON 4755B5161, 4755C5171, 4754C5701, 4757-5111)		
.20	4753-3811	BED LEG ASSEMBLY (USED ON 4754C5691)	
.15	⑥ 4720C0771	BED LEG CLIP M4	
	1203-8831	RIVET M25	
.15	⑦ 4720D4021	LASHING HOOK M6	
	1203-8741	RIVET M25	
.20	⑧ 4737A4178	SUPPORT PLATE	
	⑨ 1203C8721	RIVET M25	
	⑩ 4739E2908	SCREW CAP M10	
	4739-2918	SCREW CAP WASHER M10	
	⑪ 4716-074	SCREW	
	1202B2528	WASHER	
.20	⑫ 4734A5141	BED LEG BRACKET	
	⑬ 4720A2361	ROD & PAL NUT	
.20	⑭ 1034B16128	1/4" x 3/4" FLAT HEAD MACHINE SCREW	
	1201B6378	LOCK NUT	
1.50	⑮ 4733D0921	INSIDE BED FRAME (QUEEN BED)	
1.50	4739C4631	INSIDE BED FRAME (DOUBLE BED)	
1.50	⑯ 4744B9991	OUTSIDE BED FRAME (QUEEN BED)	
1.50	4720F1181	OUTSIDE BED FRAME (DOUBLE BED)	
.20	⑰ 4755A2591	BED BRKT. W/MOUNTING HARDWARE (USED x4 PER BED ASSY.)	
	⑱ 4739-2298	LOCK NUT	
.50	⑲ 4754-8101	BED ROLER, NUT, BOLT, & WASHER PKG.	
	⑳ 1202B2908	WASHER	
.15	㉑ 4754-8631	BED SLIDE END CAP	
.15	㉒ 4754-4821	BED SLIDE WEDGE	

REPAIR PARTS/FLAT RATE

4733C6701
AUTO EXTENSION



4716-4701 M2
12 VOLT
CAP & PLUG PKG.



MATTRESS ASSEMBLIES & COVERS F.R. - .50

FRONT MATTRESS

	ASSEMBLY	COVER
3270 REDWOOD	4757-5091	4716-5091
3275 TOAS	4749H6361	4716H6361
3251 RIO	4754B5341	4716B5341
3281 NATCHEZ	4754B5341	4716B5341
3288 SEA PINE	4754B5341	4716B5341
3289 SANTA FE	4754B5341	4716B5341
3291 MESA	4754B5341	4716B5341
3294 WESTLAKE	4754B5341	4716B5341
3296 CHEYENNE	4754B5341	4716B5341

REAR MATTRESS

MODEL	ASSEMBLY	COVER
3270 REDWOOD	4757-5091	4716-5091
3275 TOAS	4749H6361	4716H6361
3251 RIO	4754B5341	4716B5341
3281 NATCHEZ	4754B5331	4716B5331
3288 SEA PINE	4754B5331	4716B5331
3289 SANTA FE	4754B5331	4716B5331
3291 MESA	4754B5341	4716B5341
3294 WESTLAKE	4754B5341	4716B5341
3296 CHEYENNE	4754B5331	4716B5331

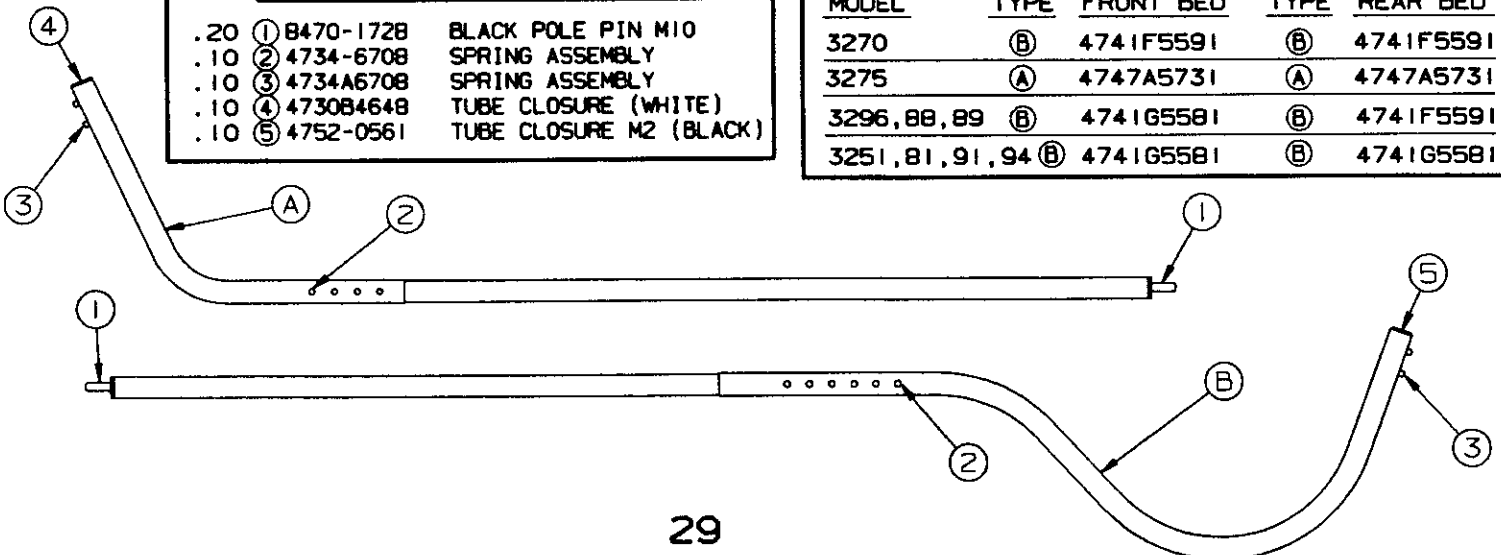
FLAT RATE

TENT SUPPORT COMPONENTS

.20	①	B470-172B	BLACK POLE PIN M10
.10	②	4734-6708	SPRING ASSEMBLY
.10	③	4734A6708	SPRING ASSEMBLY
.10	④	4730B4648	TUBE CLOSURE (WHITE)
.10	⑤	4752-0561	TUBE CLOSURE M2 (BLACK)

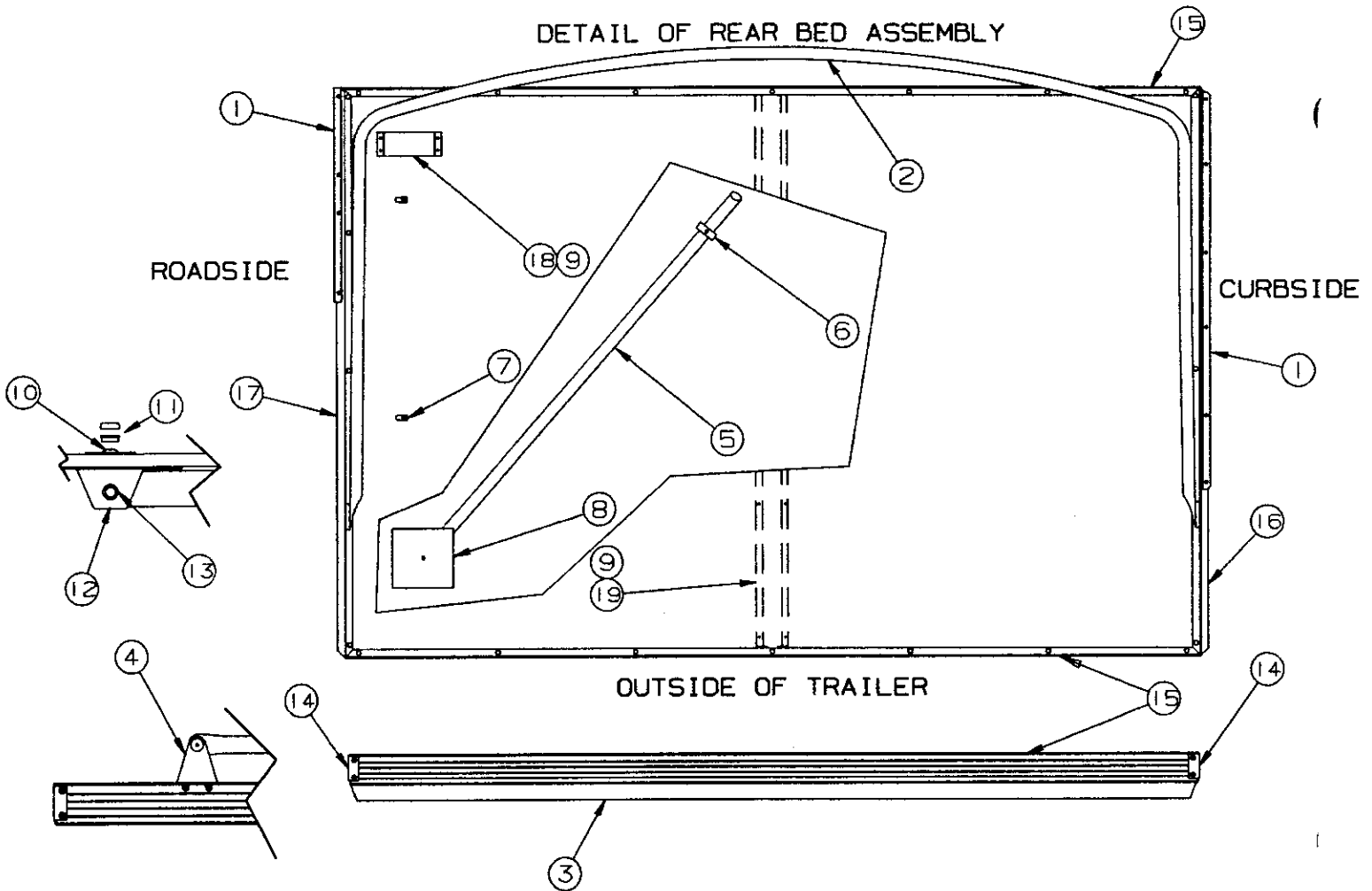
TENT SUPPORT ASSEMBLIES (COMPLETE) FLAT RATE .10 PER TENT SUPPORT

MODEL	TYPE	FRONT BED	TYPE	REAR BED
3270	Ⓑ	4741F5591	Ⓑ	4741F5591
3275	Ⓐ	4747A5731	Ⓐ	4747A5731
3296, 88, 89	Ⓑ	4741G5581	Ⓑ	4741F5591
3251, 81, 91, 94	Ⓑ	4741G5581	Ⓑ	4741G5581



1998 DESTINY SERIES

DETAIL OF REAR BED ASSEMBLY

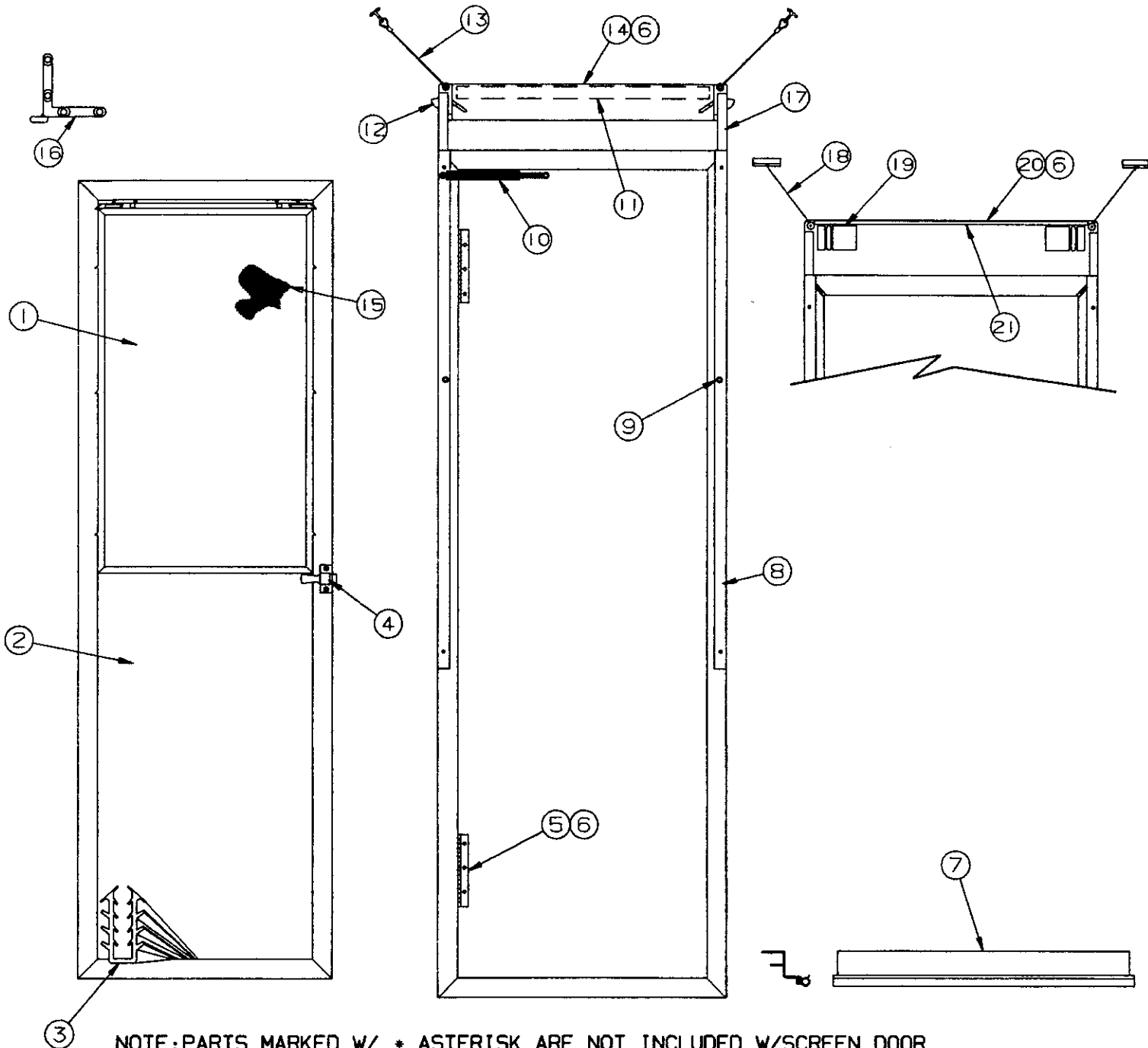


FRONT BED ASSY. (4747E5201) COMPLETE 3275
 REAR BED ASSY. (4747E5481) COMPLETE 3275
 FLAT RATE .50 FRONT & REAR BED ASSY.

FLAT
 RATE

.40	①	4747C4051	PLASTIC BED SLIDE 18"
.40		4747C3691	PLASTIC BED SLIDE 40"
		4752-3061	RIVET M25
.25	②	4714A1901	TENT BOW & LEG PACKAGE
.25	③	4060400339F	VINYL BED SEAL (SOLD/FOOT)
.15	④	4720G5631	BED BOW BRACKET x2 (ALL)
.20	⑤	4734E5881	BED LEG ASSEMBLY M2 (USED ON 4747E5481)
.20		4750-6171	BED LEG ASSEMBLY x2 (USED ON 4747E5201)
.15	⑥	4720C0771	BED LEG CLIP M4
		1203-8831	RIVET M25
.15	⑦	4720D4021	LASHING HOOK M6
		1203-8741	RIVET M25
.20	⑧	4737A4178	SUPPORT PLATE
	⑨	1203C8721	RIVET M25
	⑩	4739E2908	SCREW CAP M10
		4739-2918	SCREW CAP WASHER M10
	⑪	4716-074	SCREW
		1202B2528	WASHER
.20	⑫	4734A5141	BED LEG BRACKET
	⑬	4720A2361	ROD & PAL NUT
.20	⑭	4747A3221	CORNER ANGLE x4
		1203-8641	RIVET M25
.50	⑮	4747A3241	FRONT & REAR BED FRAME
.60	⑯	4747A3231	SIDE RAIL CURBSIDE REAR & ROADSIDE FRONT
.60	⑰	4749A8151	SIDE RAIL CURBSIDE FRONT & ROADSIDE REAR
.20	⑱	4749A4891	BED STOP
.40		4747A1161	BED CHANNEL

REPAIR PARTS/FLAT RATE



NOTE: PARTS MARKED W/ * ASTERISK ARE NOT INCLUDED W/ SCREEN DOOR

.30 SCREEN DOOR & JAMB ASSEMBLY COMPLETE - 4739N6681, 3251, 81, 88, 89, 91, 94, 96

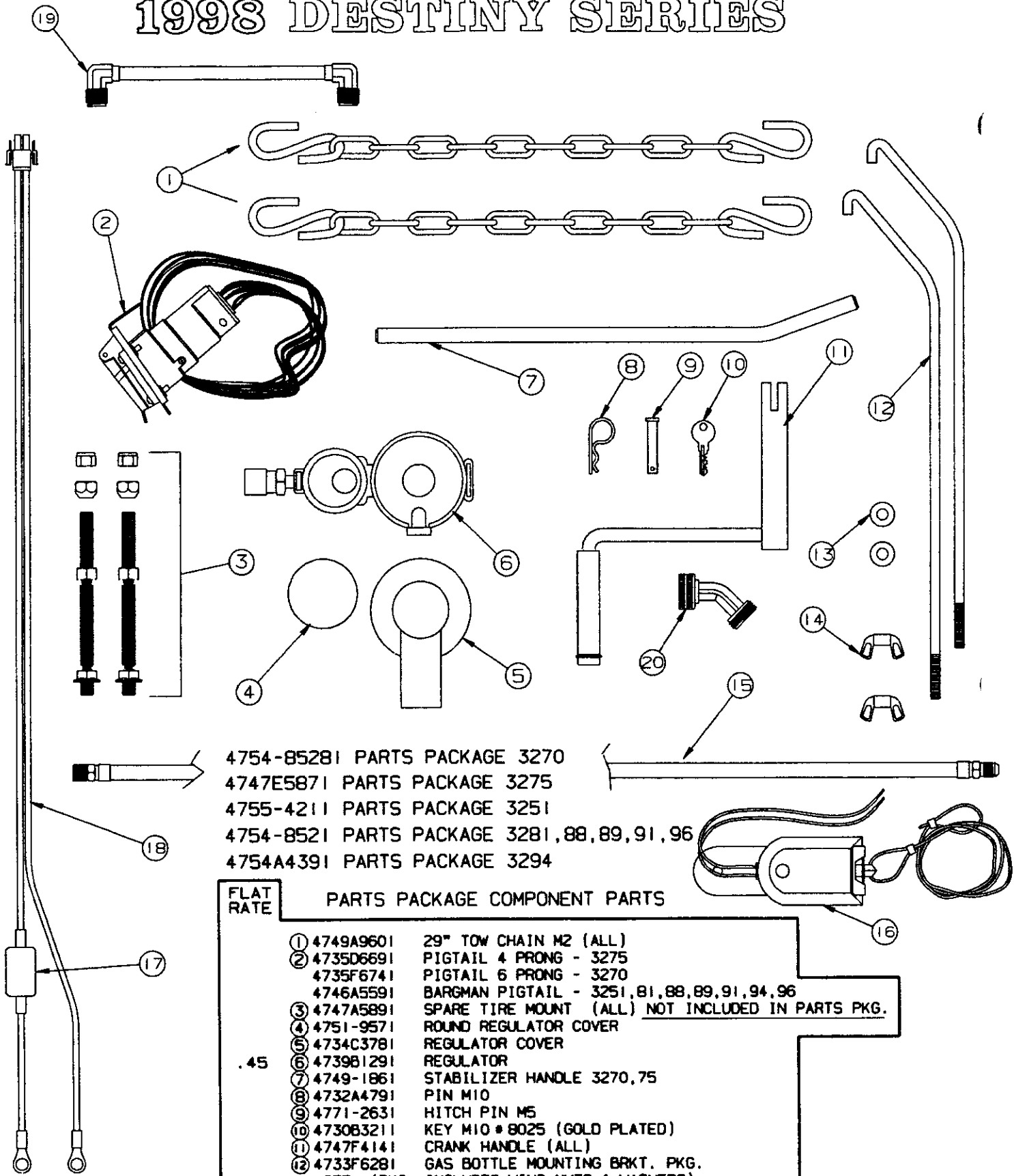
.30 SCREEN DOOR & JAMB ASSEMBLY COMPLETE - 4747L5371, 3270, 75

FLAT RATE

NOTE: WHEN ORDERING SCREEN DOOR FOR 3270 REDWOOD IT WILL NECESSARY TO RELOCATE 3/4" VELCRO (4350000012F) PLEASE ORDER IF REQUIRED

.10	①	4716E3401	TOP SLIDING WINDOW PANE	.15	⑬	4734E5211	CABLE ASSY. M2 (ABS TOPS)
.40	②	4754B1541	STATIONARY WINDOW PANE			4747A9231	RIVET M25
.15	③	4060000086F	RUBBER SEAL (SOLD/FT.) NOTE: AROUND PERIMETER OF WINDOW PANE			1202B2698	WASHER
.15	④	*4742-9671	DOOR LATCH ASSEMBLY			4733-3398	PLASTIC SPACER
.15	⑤	4720C3601	HINGE x2	.50	⑭	4753-4501	TOP BRACKET (ABS TOPS)
	⑥	1203-8641	RIVET M25	.75	⑮	4716-1111	SCREENING 36" x 18 1/2"
.25	⑦	*4747A5621	SCREEN DOOR SUPPORT	.50	⑯	4710-3791	CORNER BRACE HINGE M2
		*4060000399F	RUBBER SEAL (SOLD/FT.)	.10	⑰	4350000119F	VELCRO LOOP "BLACK" (SOLD/YD.)
.20	⑧	4754-3811	VEL-STICK x2 & MOUNTING HARDWARE	.15	⑱	4734D5211	CABLE ASSY. M6 3270, 75
.05	⑨	4730A3548	STUD W/SCREW x2			1203-8931	RIVET M25
.20	⑩	4731AB201	SPRING PKG.			1202B2698	WASHER
.10	⑪	4060000400F	D-SEAL (SOLD/FT.)			4733-3398	PLASTIC SPACER
.25	⑫	4741-8658	SASH LOCK x2	.10	⑲	4350000209F	2" WIDE VELCRO LOOP (SOLD/YD.)
		4747A9231	RIVET M25	.10		4350000012F	3/4" VELCRO LOOP (SOLD/YD.)
.30			SCREEN DOOR ADJUSTMENT	.30	⑳	4749C8451	TOP BRACKET 3270, 75
				.10	㉑	4060037505F	GREY FOAM TAPE (SOLD/FT.)

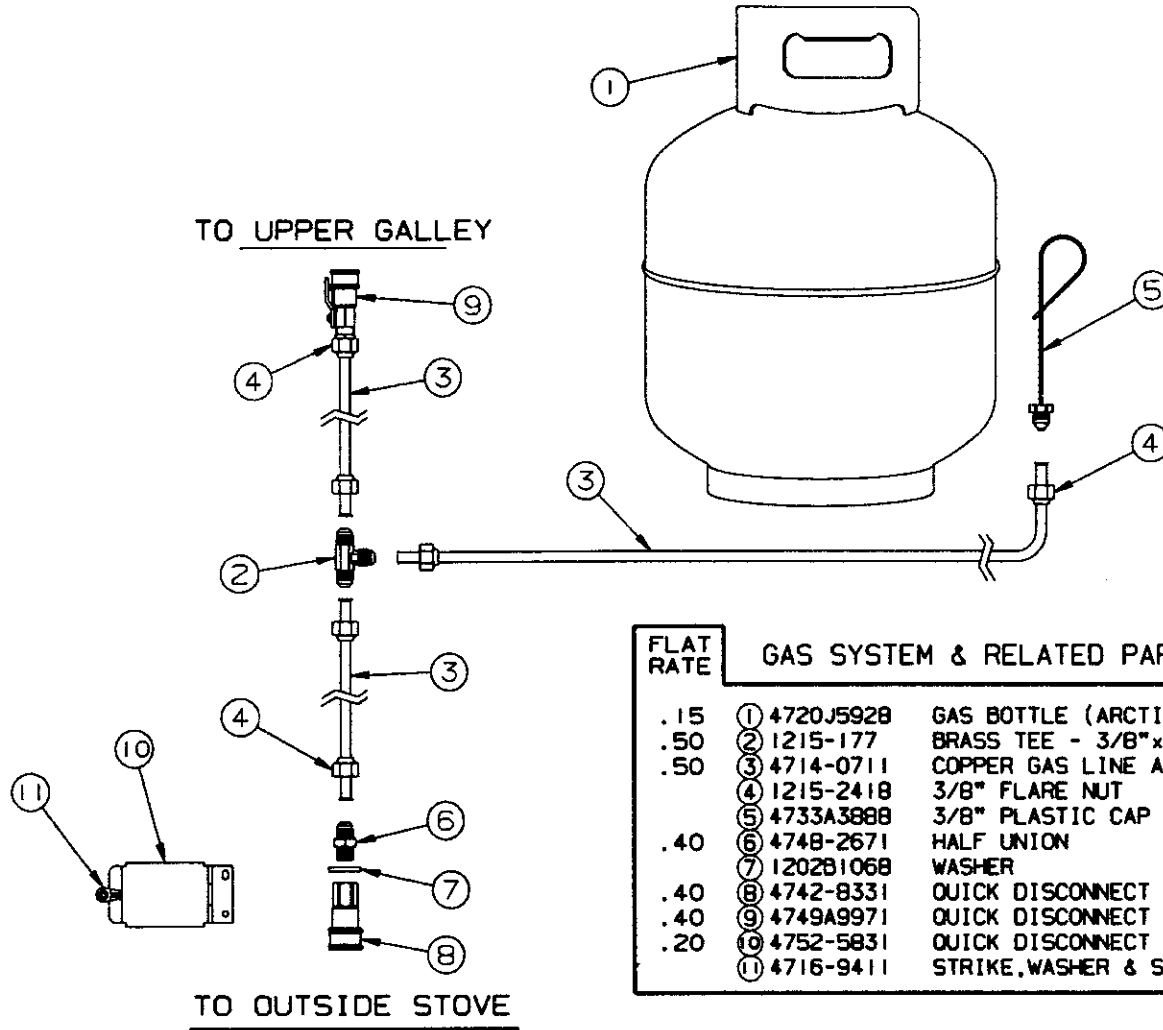
1998 DESTINY SERIES



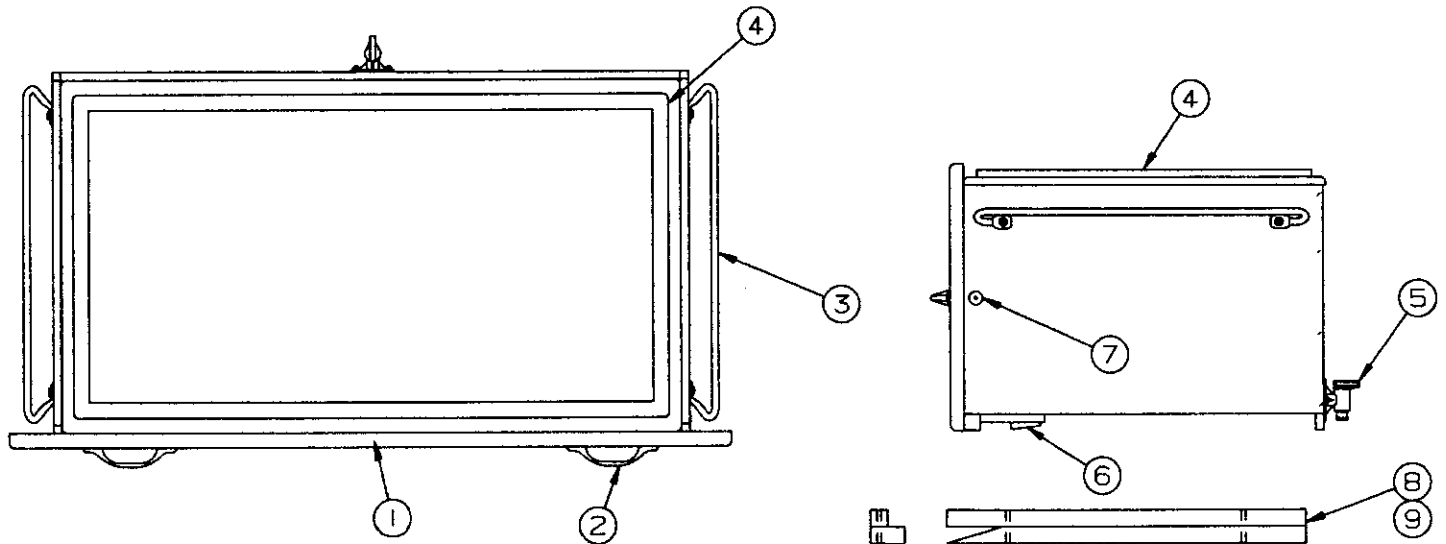
4754-85281 PARTS PACKAGE 3270
 4747E5871 PARTS PACKAGE 3275
 4755-4211 PARTS PACKAGE 3251
 4754-8521 PARTS PACKAGE 3281, 88, 89, 91, 96
 4754A4391 PARTS PACKAGE 3294

FLAT RATE	PARTS PACKAGE	COMPONENT PARTS
	①	4749A9601 29" TOW CHAIN M2 (ALL)
	②	4735D6691 PIGTAIL 4 PRONG - 3275
		4735F6741 PIGTAIL 6 PRONG - 3270
		4746A5591 BARGMAN PIGTAIL - 3251, 81, 88, 89, 91, 94, 96
	③	4747A5891 SPARE TIRE MOUNT (ALL) NOT INCLUDED IN PARTS PKG.
	④	4751-9571 ROUND REGULATOR COVER
	⑤	4734C3781 REGULATOR COVER
.45	⑥	4739B1291 REGULATOR
	⑦	4749-1861 STABILIZER HANDLE 3270, 75
	⑧	4732A4791 PIN M10
	⑨	4771-2631 HITCH PIN M5
	⑩	4730B3211 KEY M10 # 8025 (GOLD PLATED)
	⑪	4747F4141 CRANK HANDLE (ALL)
	⑫	4733F6281 GAS BOTTLE MOUNTING BRKT. PKG.
		NOTE: (PKG. INCLUDES WING NUTS & WASHERS)
	⑬	1202B0468 WASHER x2 M2
	⑭	1201-6258 WING NUT x2
.20	⑮	4733A3991 GAS HOSE (ALL EXCEPT 3294)
.20		4737-8871 GAS HOSE (3294) ONLY
	⑯	4746-0401 BREAK-A-WAY SWITCH (3251, 94)
	⑰	4751-4811 15 AMP CIRCUIT BREAKER
	⑱	4749A5531 WIRE HARNESS W/BREAKER M2 (3294)
	⑲	4746-5381 WINTERIZING ADAPTER (3294)
	⑳	4744-2651 45° GOOSENECK (3294)

REPAIR PARTS/FLAT RATE

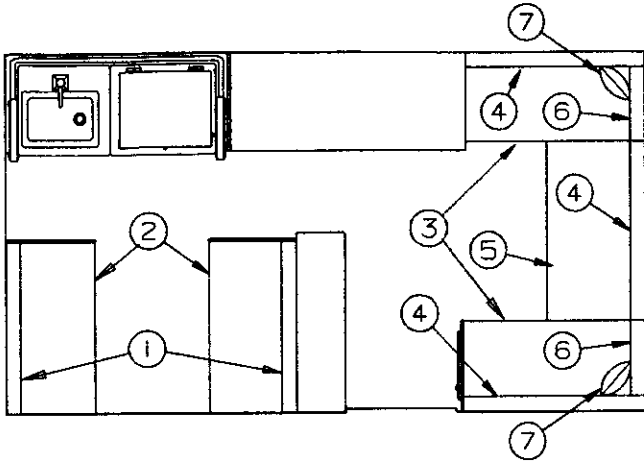


FLAT RATE	GAS SYSTEM & RELATED PARTS	
.15	① 4720J5928	GAS BOTTLE (ARCTIC WHITE)
.50	② 1215-177	BRASS TEE - 3/8"x3/8"x3/8"
.50	③ 4714-0711	COPPER GAS LINE ASSY. (100")
	④ 1215-2418	3/8" FLARE NUT
	⑤ 4733A3888	3/8" PLASTIC CAP & CHAIN
.40	⑥ 4748-2671	HALF UNION
	⑦ 1202B1068	WASHER
.40	⑧ 4742-8331	QUICK DISCONNECT
.40	⑨ 4749A9971	QUICK DISCONNECT W/SHUT-OFF VALVE
.20	⑩ 4752-5831	QUICK DISCONNECT COVER W/HINGE
	⑪ 4716-9411	STRIKE, WASHER & SCREW PKG.



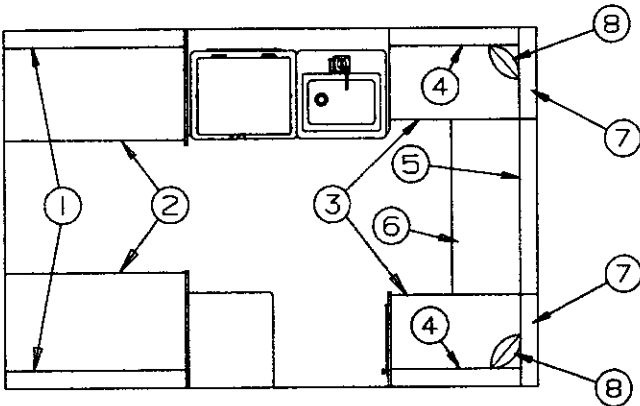
FLAT RATE	.15 - DRAWER WITH DROP-IN COOLER 3288,91 - 4754A6791 (COMPLETE)	
.20	① 4716-5521	DRAWER FRONT
.10	② 4755-2681	DOOR PULL W/SCREWS
.15	③ 4744-8321	COOLER LEG x2
.15	④ 4754-4481	DROP-IN COOLER
.20	⑤ 4715G4381	DRAIN
.10	⑥ 4747-9421	WEDGE M2
	⑦ 4744D4601	RIVET M25 "OAK"
.25	⑧ 4754-4491	WOOD DRAWER TRACK (LT.)
.25	⑨ 4754-4501	WOOD DRAWER TRACK (RT.)

1998 DESTINY SERIES



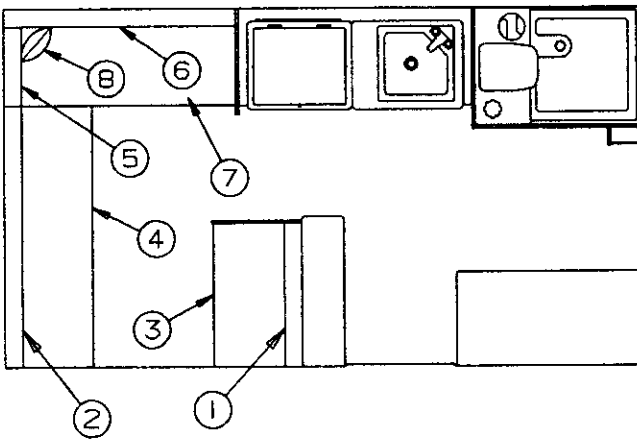
FLAT RATE CUSHION & BACKREST ASSY.'S 3291 MESA

.10	①	4753A6061	BACKREST ASSY. - 38x16 5/8
.25		4716A6061	BACKREST COVER
.10	②	4753A6031	CUSHION ASSY. - 38 1/2x16 1/4
.25		4714A6031	CUSHION COVER
.10	③	4753B6021	CUSHION ASSY. - 41x19 5/8
.25		4716B6021	CUSHION COVER
.10	④	4753A6071	BACKREST ASSY. - 41 3/8x13 3/8
.25		4716A6071	BACKREST COVER
.10	⑤	4756-5381	CUSHION ASSY. - 41 3/8x23
.25		4716-5381	CUSHION COVER
.10	⑥	4756-5401	BACKREST ASSY. - 14x13 3/8
.25		4716-5401	BACKREST COVER
	⑦	4755-2861	THROW PILLOW



FLAT RATE CUSHION & BACKREST ASSY.'S 3288 SEA PINE

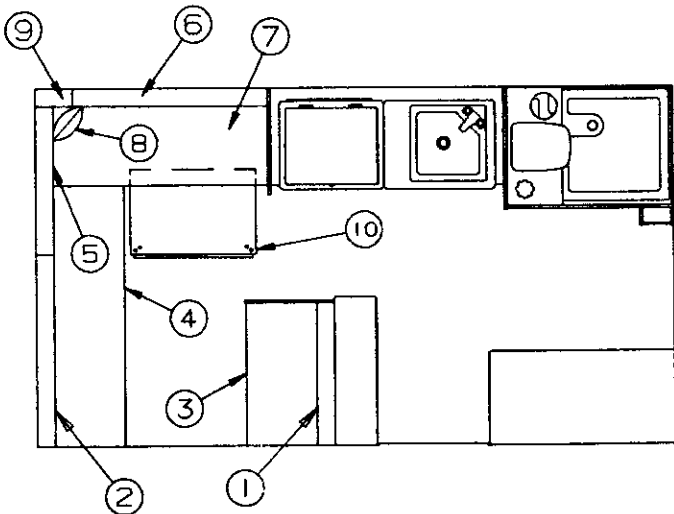
.10	①	4754A6361	BACKREST ASSY. - 40 5/8x19 1/2x4
.25		4716A6361	BACKREST COVER
.10	②	4754A6381	CUSHION ASSY. - 40 5/8x20 3/8x4
.25		4716A6381	CUSHION COVER
.10	③	4754A6371	CUSHION ASSY. - 33 1/4x20x4
.25		4716A6371	CUSHION COVER
.10	④	4754A6341	BACKREST ASSY. - 33x12 3/8
.25		4715A6341	BACKREST COVER
.10	⑤	4754A6351	BACKREST ASSY. - 40 5/8x16 3/8x4
.25		4716A6351	BACKREST COVER
.10	⑥	4754A6391	CUSHION ASSY. - 40 5/8x17x4
.25		4716A6391	CUSHION COVER
.10	⑦	4756-0411	BACKREST ASSY. - 15x12 3/8
.25		4716-0411	BACKREST COVER
	⑧	4755-2861	THROW PILLOW



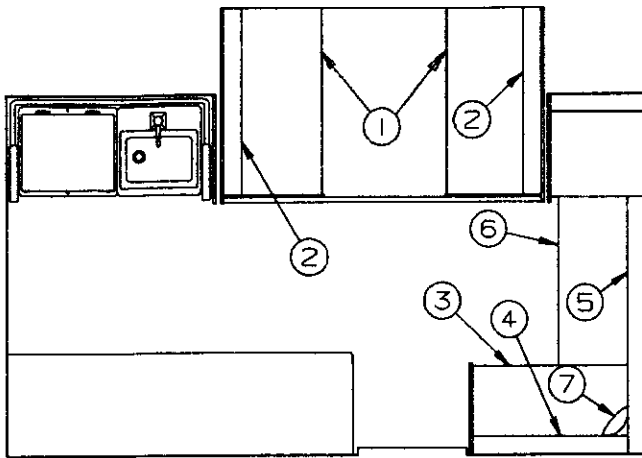
* USED ON TRAILERS PRIOR TO S/N - 3251/32491 - 3294/33791
 ** USED ON TRLRs STARTING W/ S/N - 3251/32491-3294/33791 THEREAFTER

FLAT RATE CUSHION & BACKREST ASSY.'S 3251, 3294

.10	①	4754A6581	BACKREST ASSY. - 31 3/4x15 3/4
.25		4716A6581	BACKREST COVER
.10	②	* 4754A6701	BACKREST ASSY. - 57 3/4x14
.25		* 4716A6701	BACKREST COVER
.10	**	4754C6701	BACKREST ASSY. - 42 1/4x14 3/4
.25		** 4716C6701	BACKREST COVER
.10	③	4754A6611	CUSHION ASSY. - 31 3/4x15 3/4
.25		4714A6611	CUSHION COVER
.10	④	4754A6621	CUSHION ASSY. - 57 3/4x22 1/2
.25		4714A6621	CUSHION COVER
.10	⑤	* 4754B5991	BACKREST ASSY. - 15 3/4x14
.25		* 4716B5991	BACKREST COVER
.10	**	4754D5991	BACKREST ASSY. - 32 1/2x14 3/4
.25		** 4716D5991	BACKREST COVER
.10	⑥	* 4754A6591	BACKREST ASSY. - 51 3/4x14
.25		* 4716A6591	BACKREST COVER
.10	**	4754C6591	BACKREST ASSY. - 42 3/4x14 3/4
.25		** 4716C6591	BACKREST COVER
.10	⑦	4754A6631	CUSHION ASSY. - 52x22 1/2
.25		4716A6631	CUSHION COVER
	⑧	4755-2861	THROW PILLOW
.10	⑦	** 4756-8051	BACKREST ASSY. - 9 3/4x14 3/4
.25		** 4716-8051	CUSHION COVER
	⑩	** 4756-8021	PULL-OUT PLATFORM W/ LEGS
		4756-8011	PLATFORM LEG x2



REPAIR PARTS/FLAT RATE



FLAT RATE	CUSHION & BACKREST ASSY. *S 3281 NATCHEZ
.10 ①	4757A5561 CUSHION ASSY. - 43x18 3/8
.25	4715A5561 CUSHION COVER
.10 ②	4757A5591 BACKREST ASSY. - 42 1/2x16 3/8
.25	4714A5591 CUSHION COVER
.10 ③	4757A5551 CUSHION ASSY. - 39 1/8x19 5/8
.25	4714A5551 CUSHION COVER
.10 ④	4757A5581 BACKREST ASSY. - 39 1/8x13 3/8
.25	4714A5581 BACKREST COVER
.10 ⑤	4757A5571 BACKREST ASSY. - 51 5/8x13 3/8
.25	4715A5571 BACKREST COVER
.10 ⑥	4757A5541 CUSHION ASSY. - 37x19 5/8
.25	4714A5541 CUSHION COVER
⑦	4755-2861 THROW PILLOW

CUSHION & BACKREST ASSEMBLIES								
MODEL	CUSHION ASSEMBLY	F.R. 10	CUSHION COVER	F.R. 25	BACKREST ASSEMBLY	F.R. 10	BACKREST COVER	F.R. 10
3270 REDWOOD	4756-5571		4714-5571		4756-5561		NOT AVAILABLE	
3270 REDWOOD	* 4757-5081		4716-5081					
3275 TAOS	4749G6581		4716G6581		4749G6571		NOT AVAILABLE	
3289 SANTA FE	4754B5241		4716B5241		4754B5231		4716B5231	
3296 CHEYENNE	4754B5241		4716B5241		4754B5231		4716B5231	
3296 CHEYENNE	** 4754D5561		4716D5561		4754C5571		4716C5571	
4753B5521 HUTCH CUSHION LEG x2 3296 ONLY								
* CURBSIDE HUTCH CUSHION 3270 REDWOOD								
** CS HUTCH/SEAT CUSHION&BACKREST 3296 CHEYENNE								

PLASTIC CUSHION BUTTON (4710-2681 M5)

4753-3341 BLACK PUSH FASTENER M12 TO HOLD VALANCE IN CORNER OF TOP

DRAPES PKG. (LESS VALANCE PKG.)

MODEL	DRAPES PKG.
.30 3270	4755-2961
.30 3275	4724HB361
.30 3281	4757-5531
.30 3251	4755-2971
.30 3288,89	4754C5711
.30 3291	4755A6181
.30 3294	4755A6461
.30 3296	4754B5501

.05 4750-2891 DRAPE TAB C-SHAPE M60

DRAPES TIE PACKAGE (QTY. 1)

MODEL	TIE PKG.
.05 3270,75	4753B9791
.05 3251,81,88,89,91,94,96	4753B9801

SINGLE DRAPE PANEL W/SAFETY STRAPS

.15 4716-8711	SINGLE DRAPE PNL. 53"x45" 3270
.15 4716-8721	SINGLE DRAPE PNL. 35"x45" 3270
.15 4716-8731	SINGLE DRAPE PNL. 48"x48 1/2" 3275
.15 4716-8741	SINGLE DRAPE PNL. 35"x48 1/2" 3275
.15 4716-7831	SINGLE DRAPE PNL. 43"x45" (ALL EXCEPT 3270,75)
.15 4716-7851	SINGLE DRAPE PNL. 24"x45" 3281
.15 4716-7841	SINGLE DRAPE PNL. 35"x45" 3288,89
.15 4716-7821	SINGLE DRAPE PNL. 48"x45" 3251,91,94
.15 4716-7811	SINGLE DRAPE PNL. 53"x45" 3294

VALANCE PACKAGE

MODEL	VALANCE PKG.
.25 3270	4755-2761
.25 3275	4755-2751
.25 3251	4755-2801
.25 3288,89	4755-2771
.25 3281,91,94	4755-2791
.25 3296	4755-2781

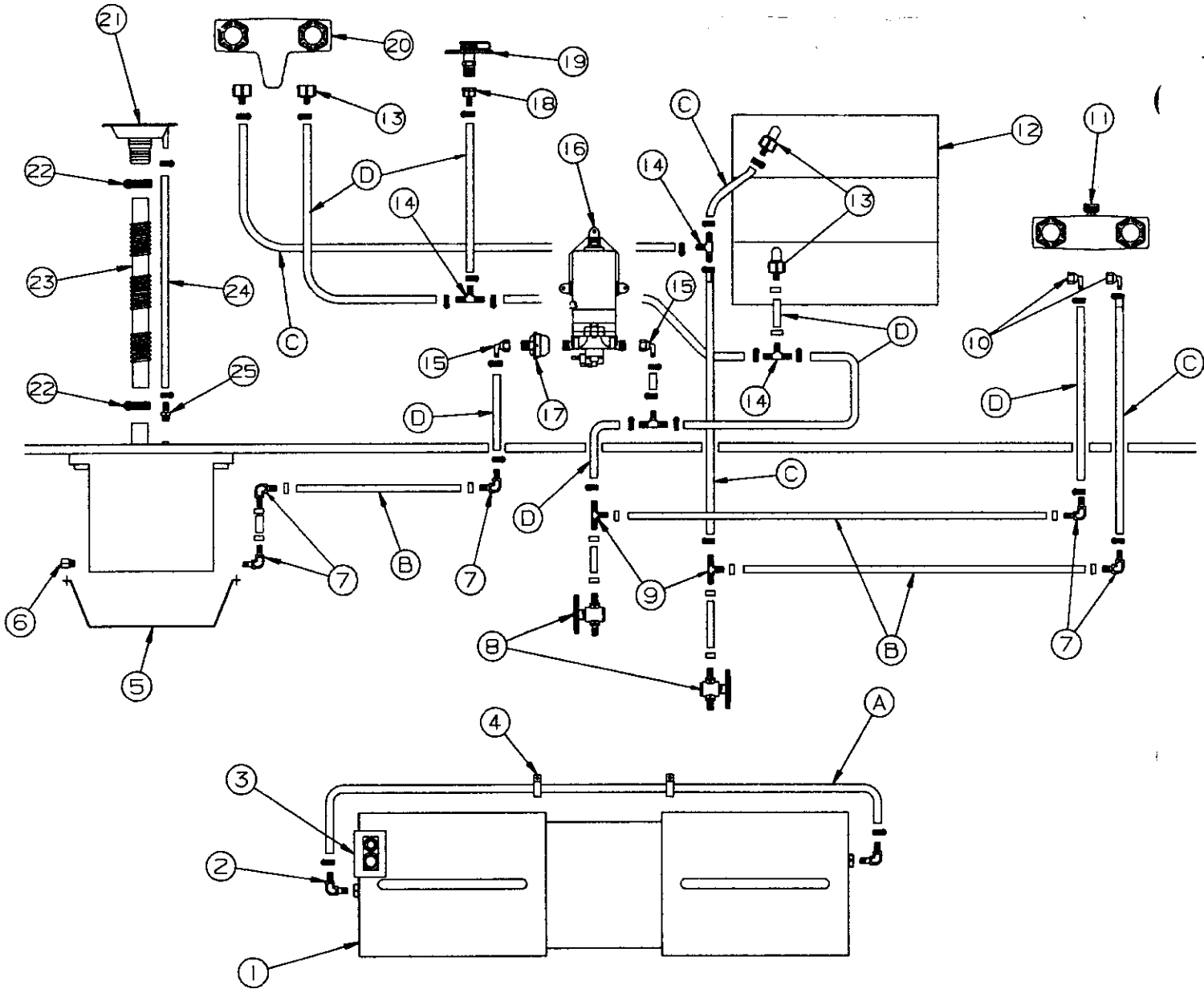
DRESSING ROOM CURTAIN PACKAGE

MODEL	CURTAIN PKG.
.20 3294	4753A9821

SHOWER CURTAIN-WHITE VINYL

.20 4749B6661	SHOWER CURTAIN 3294
.20 4748-8161	SHOWER CURTAIN CLIPS M10

1998 DESTINY SERIES



- (A) 4060000051 1/2" I.D. TRANSPARENT TUBING (SOLD/FOOT)
- (B) 4060050001 3/8" I.D. GREY PLASTIC TUBING (SOLD/FOOT)
- (C) 4714-338 HOT WATER HOSE 3/8" I.D. (SOLD/FOOT)
- (D) 4714-038 3/8" I.D. H.P. HOSE (SOLD/FOOT)

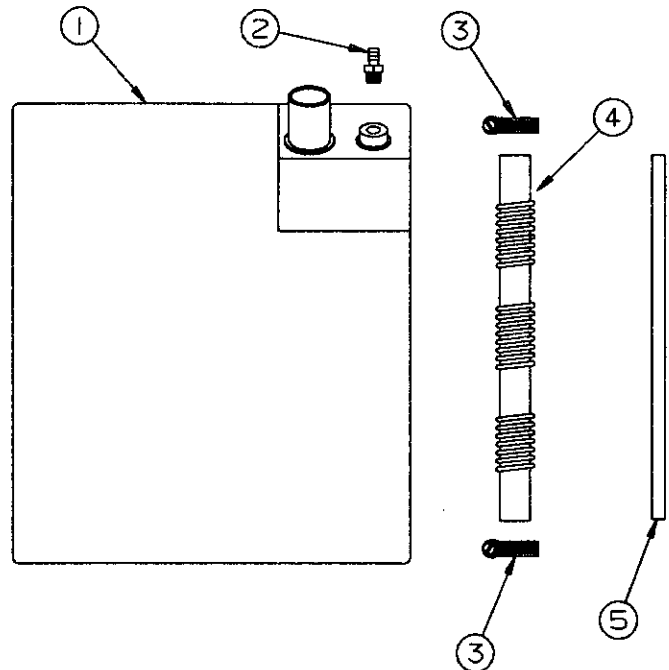
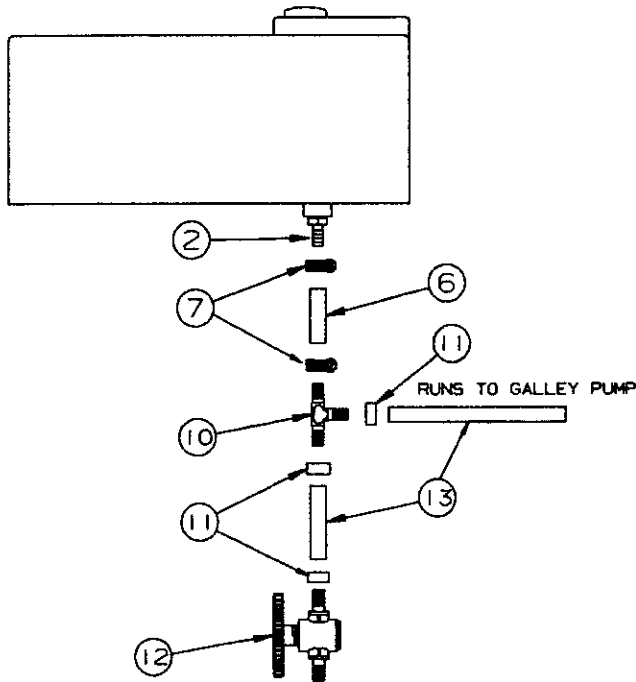
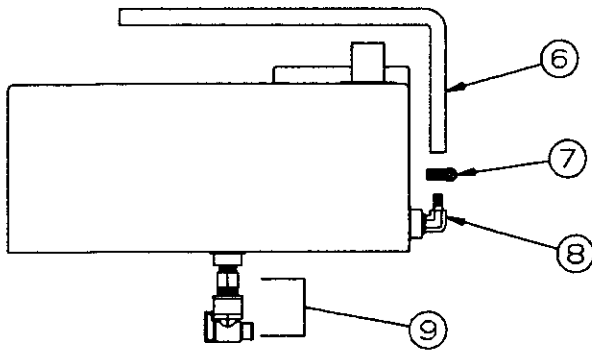
FLAT RATE	WATER SYSTEM & RELATED PARTS 3294 WEST LAKE - 3281 NATCHEZ	
1.50	① **4753-4111	WATER TANK 3294
1.50	**4748A8341	WATER TANK 3281
.35	② 4741A2378	ELBOW
.50	③ 4742A8631	WATER TANK GASKET
	④ 1201-B65	TUBE CLAMP
.20	⑤ 4753A4801	WATER TANK HANGER x2 3294
.20	4756-3411	WATER TANK HANGER x2 3281
.15	⑥ 1218-700	PLUG
.25	⑦ 4741-2398	BARBED ELBOW
.20	⑧ 4741A2368	LINE DRAIN
.40	⑨ 4741-2388	TEE
.20	⑩ 4741-9068	SWIVEL ELBOW
.50	⑪ 4741B2071	SHOWER DIVERTER
*	⑫ 4750-3421	WATER HEATER
.20	⑬ 4716-2341	BARB, NUT & SEAL PACKAGE
.40	⑭ 1218-1508	BARBED TEE
.20	⑮ 4741-2351	SWIVEL ELBOW
.50	⑯ 4741C5571	ELECTRIC WATER PUMP
.25	⑰ 4747A8311	WATER FILTER
.20	⑱ 4741-9568	FEMALE ADAPTER
	1202-5828	RUBBER WASHER
.30	⑲ 4732F1521	CITY FILL
1.00	⑳ 4745D2741	MIXER FAUCET
.30	㉑ 4731D1711	WATER TANK FILL SPOUT
	㉒ 4715-4501	ADJUSTABLE HOSE CLAMP
.35	㉓ 4731H1081	WATER FILL HOSE 3' LENGTHS
.15	㉔ 4060050003F	1/2" H.P. HOSE (SOLD/FOOT)
	㉕ 4732B4561	HOSE ADAPTER

* WARRANTED THROUGH VENDOR

** WATER TANK REPAIRS MUST BE PREAPPROVED BY FACTORY

REPAIR PARTS/FLAT RATE

RUNS TO GALLEY PUMP



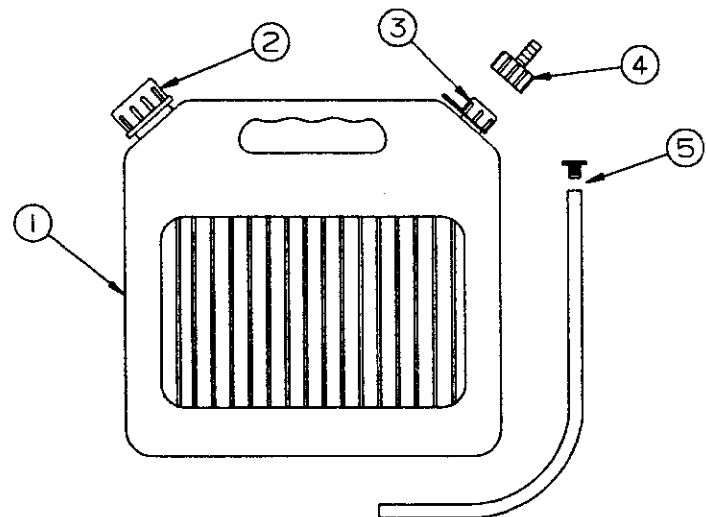
3251, 70, 88, 89, 91, 96
WATER SYSTEM & RELATED PARTS

FLAT RATE	Part Number	Description	Price
.50 *	① 4733G1411	WATER TANK (10 GALLON)	3270, 51, 88
.50 *	4733F141A1	WATER TANK (10 GALLON)	3289, 96
.50 *	4733G141A1	WATER TANK (10 GALLON)	3291
.15	② 4732C4561	HOSE ADAPTOR (ALL)	
	③ 4715-4501	HOSE CLAMP 1 1/4"	
.35	④ 4731H1081	WATER FILL HOSE 24" PC.	
	⑤ 4060050003F	1/2" H.P. HOSE SOLD/FT.	
	⑥ 4714-338	3/8" H.P. HOSE (SOLD/FOOT)	
	⑦ 4731-3058	ADJUSTABLE HOSE CLAMP	
.20	⑧ 4741-2378	ELBOW	
.30	⑨ 4752-8721	DRAIN & COUPLER	3288, 91
.40	⑩ 4741-2388	BARBED TEE	
	⑪ 4741-2758	RING CLAMP	
.20	⑫ 4741A2368	DRAIN TEE	
	⑬ 4060050001	GREY WATER LINE (SOLD/FOOT)	

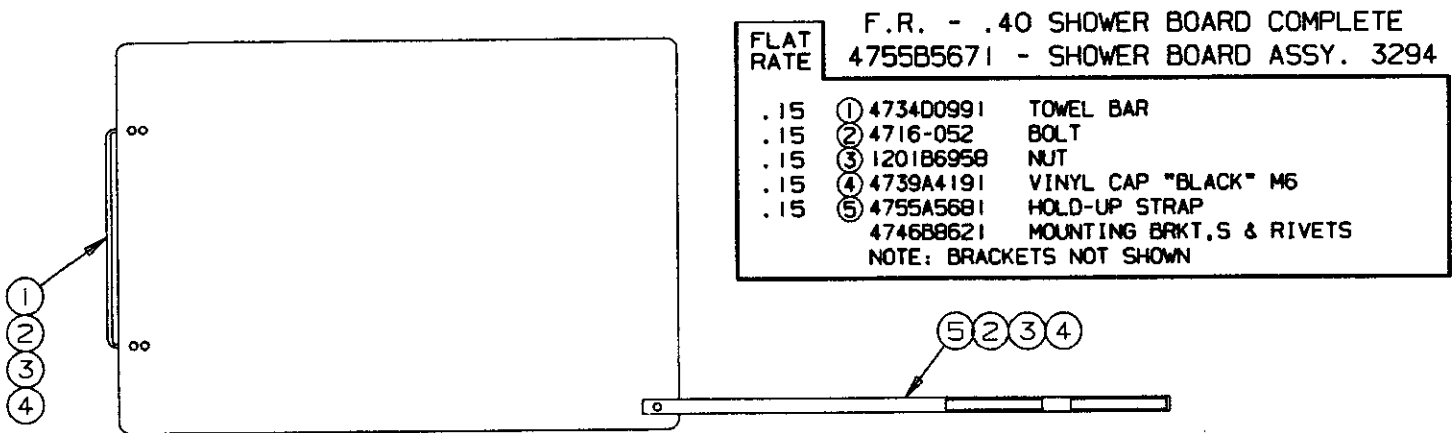
* WATER TANK REPAIRS MUST BE PREAPPROVED BY FACTORY

FLAT RATE PORTABLE WATER TANK - 3275

FLAT RATE	Part Number	Description
.10	① 4735-2131	WATER TANK 5 GALLON (COMPLETE)
	4735C0988	WATER TANK DECAL
	② 4714-0231	LARGE CAP
	③ 4714-0221	SMALL CAP W/TIE-ON
	④ 4714-0241	BARB STEM & COLLAR
	⑤ 474A0671	SUCTION STEM

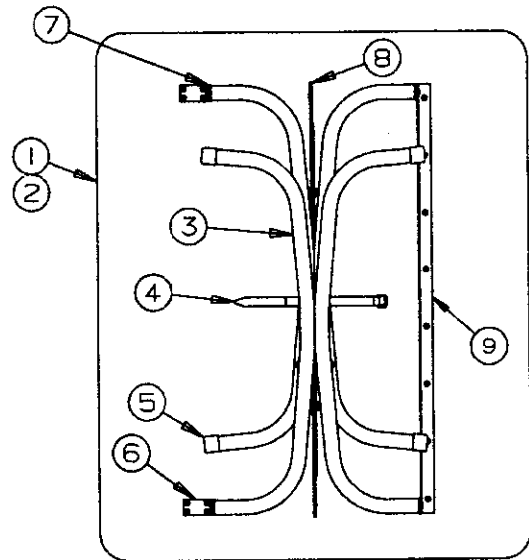


1998 DESTINY SERIES



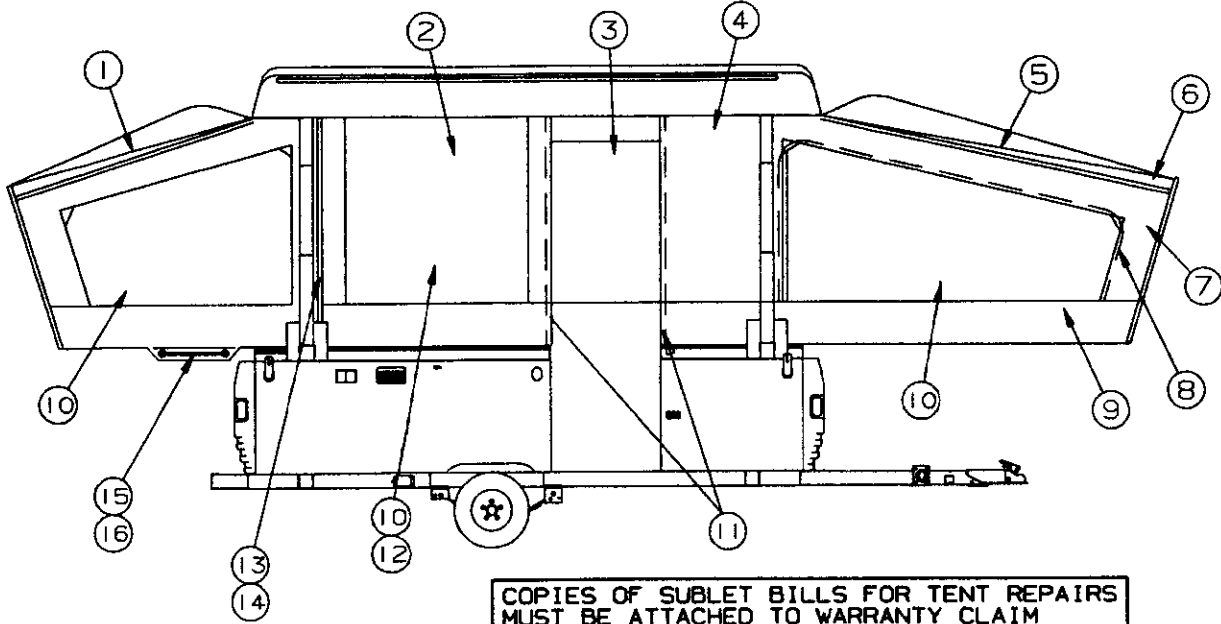
* USED PRIOR TO S/N-24656/3270-23416/3275
** USED STARTING W/ S/N-24656/3270-23416/3275

FLAT RATE	QTY	PART NUMBER	DESCRIPTION
.50	1	4754-8251	TABLE TOP 3270 - 40 3/4x26
.50	**	4754B8251	TABLE TOP 3270 - 40 3/4x26
.50	*	4748G2761	TABLE TOP 3275 - 30x39
.50	**	4748J2761	TABLE TOP 3275 - 30x39
.50		4755A3841	TABLE TOP 3281 - 42 3/4x28 3/4
.50		4752B9241	TABLE TOP 3291 - 39x28 7/16
.50		4754B0391	TABLE TOP 3289,88,96 - 30x41
.50	***	4754A3991	TABLE TOP 3251,94 - 54x28
.50	****	4754C3891	TABLE TOP 3251,94 - 41 3/4x28
.30	2	4060400089P	T-MOLDING 14' PC. PACKAGED
.30	**	4060400088P	T-MOLDING 14' PC. PACKAGED
.50	3	4745F52781	TABLE LEG PKG. "OAK" NOTE: PKG. INCLUDES 2 LEGS & REQUIRED MOUNTING HARDWARE
.10	4	4751A9711	STRAP & SCREW PKG.
.10	5	4752-0551	WHITE PLASTIC CAP M2
.10	6	4720F1211 1103B101F	TABLE LEG MOUNTING BRACE M2 5/8" WOOD SCREW
.15	7	4752A0561 4747-2558	TABLE LEG INSERT CAP M2 EXPANSION RIVET M25
.15	8	4720A1501 1103B101F	LOCK BRACE ASSEMBLY 5/8" WOOD SCREW
.15	9	4720G1211	TABLE BRACE PKG. NOTE: INCLUDES MOUNTING HARDWARE



*** USED PRIOR TO S/N-32491/3251-33791/3294
**** USED STARTING W/ S/N-32491/3251-33791/3294

REPAIR PARTS/FLAT RATE



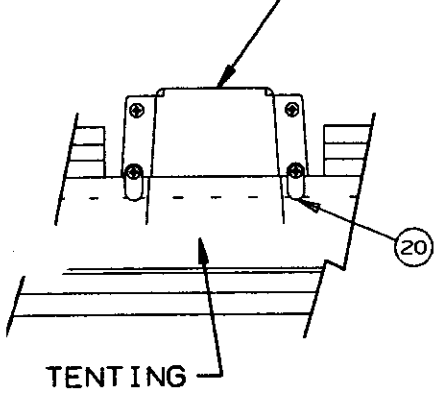
COPIES OF SUBLET BILLS FOR TENT REPAIRS MUST BE ATTACHED TO WARRANTY CLAIM

FLAT RATE

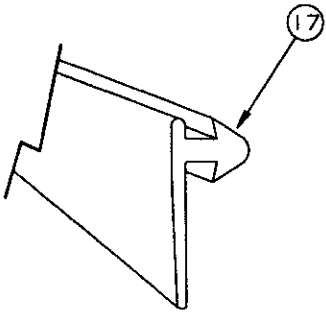
SUNBRELLA TENTING & COMPONENTS

.40	① 4756-6081	REAR BOOT 3270
.40	4747E65391	REAR BOOT 3275
.40	4753B58791	REAR BOOT 3288,89,96
.40	4753B58691	REAR BOOT 3251,81,91,94
.20	② 4756-58791	SMALL WINDOW 3270
.20	4747E65291	SMALL WINDOW 3275
.20	4753A64691	SMALL WINDOW 3251
.20	4756-6781	SMALL WINDOW 3281
.20	4753A59291	SMALL WINDOW 3288,89
.20	4753A58991	SMALL WINDOW 3291,94
.20	4753A59491	SMALL WINDOW 3296
.20	③ 4756-58691	LARGE WINDOW 3270
.20	4747E65091	LARGE WINDOW 3275
.20	4753A58891	LARGE WINDOW 3251,91
.40	4756-6751	LARGE WINDOW 3281
.20	4753A59191	LARGE WINDOW 3288,89,96
.20	4755-67391	LARGE WINDOW 3294
.15	④ 4756-58891	DOOR SEAL 3270
.15	4748C66391	DOOR SEAL 3275
.15	4753A59391	DOOR SEAL 3251,88,89
.15	4756-8001	DOOR SEAL 3281
.15	4753A59391	DOOR SEAL 3288,89
.15	4753A59591	DOOR SEAL 3296
.40	⑤ 4756-6081	FRONT BOOT 3270
.40	4747E65391	FRONT BOOT 3275
.40	4753B58691	FRONT BOOT 3251,81,89,89,91,94,96
	⑥ 8119901429	TOP VINYL (SOLD/YARD)
	⑦ 4716C0851	SUNBRELLA PATCH PKG. (12"x14")
	⑧ 6650500130F	ZIPPER (SOLD/YARD) USED AROUND WINDOW
	1225-4461	ZIPPER PULL M5
	⑨ 8118001450	BOTTOM VINYL FACING (SOLD/ YARD)
	⑩ 4714E1611	SCREEN PKG. (84" x 3 YARDS)
	4714A0361	SCREEN PKG. (84" x 13 YARDS)
	⑪ 435000009P	1" VELCRO LOOP (10' PC. PKG.)
	⑫ 4716-2401	CLEAR WINDOW VINYL (41" x 2 YARDS)
	⑬ 1225-3658	ZIPPER PIN HALF 52" 3275
	1225G3768	ZIPPER PIN HALF 45 1/2" (ALL EXCEPT 3275)
	⑭ 1225-3668	ZIPPER SLIDER HALF 52" 3275
	1225G3758	ZIPPER SLIDER HALF 45 1/2" (ALL EXCEPT)
.50	⑮ 4060000045F	1/4" SHOCK CORD (SOLD/FOOT)
.50	4714B6021	SHOCK CORD & CRIMPS M2 (TWO 14'LENGTHS)
	⑯ 4724-20111	SHOCK CORD CRIMPS M10
	⑰ 4060000024F	ARROWHEAD SEAL (SOLD/FOOT)
.30	⑱ 4735A6721	EXTENSION HARNESS 3275
.30	4735B6721	EXTENSION HARNESS (ALL EXCEPT 3275)
.50	⑲ 4743-1588	K-KOTE SEAM SEALER
	⑳ 4728-5641	TENT RETAINER PKG. (NOT SHOWN)

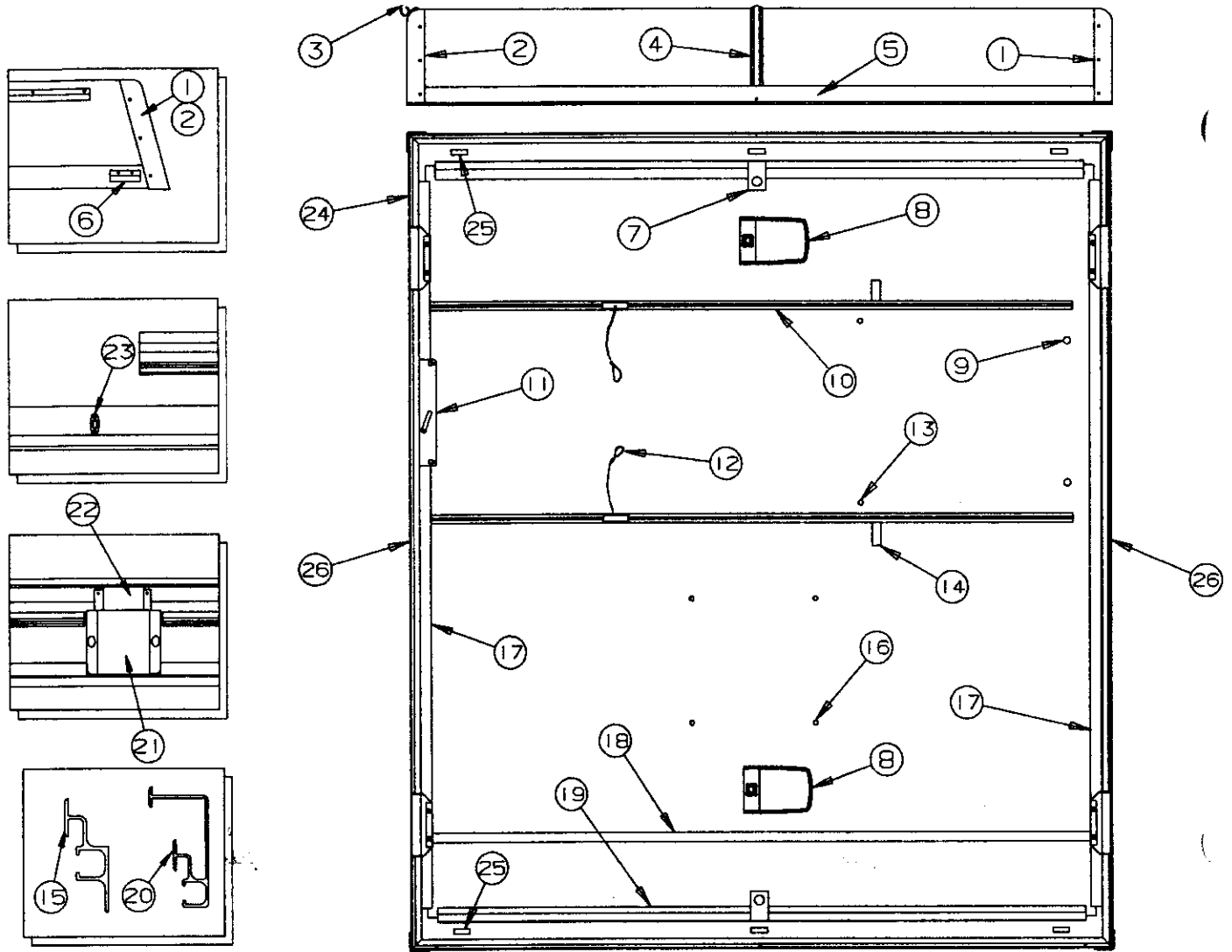
LIFT POCKET



TENTING



1998 DESTINY SERIES



3.00 4757-5101 - TOP ASSEMBLY 3270 REDWOOD

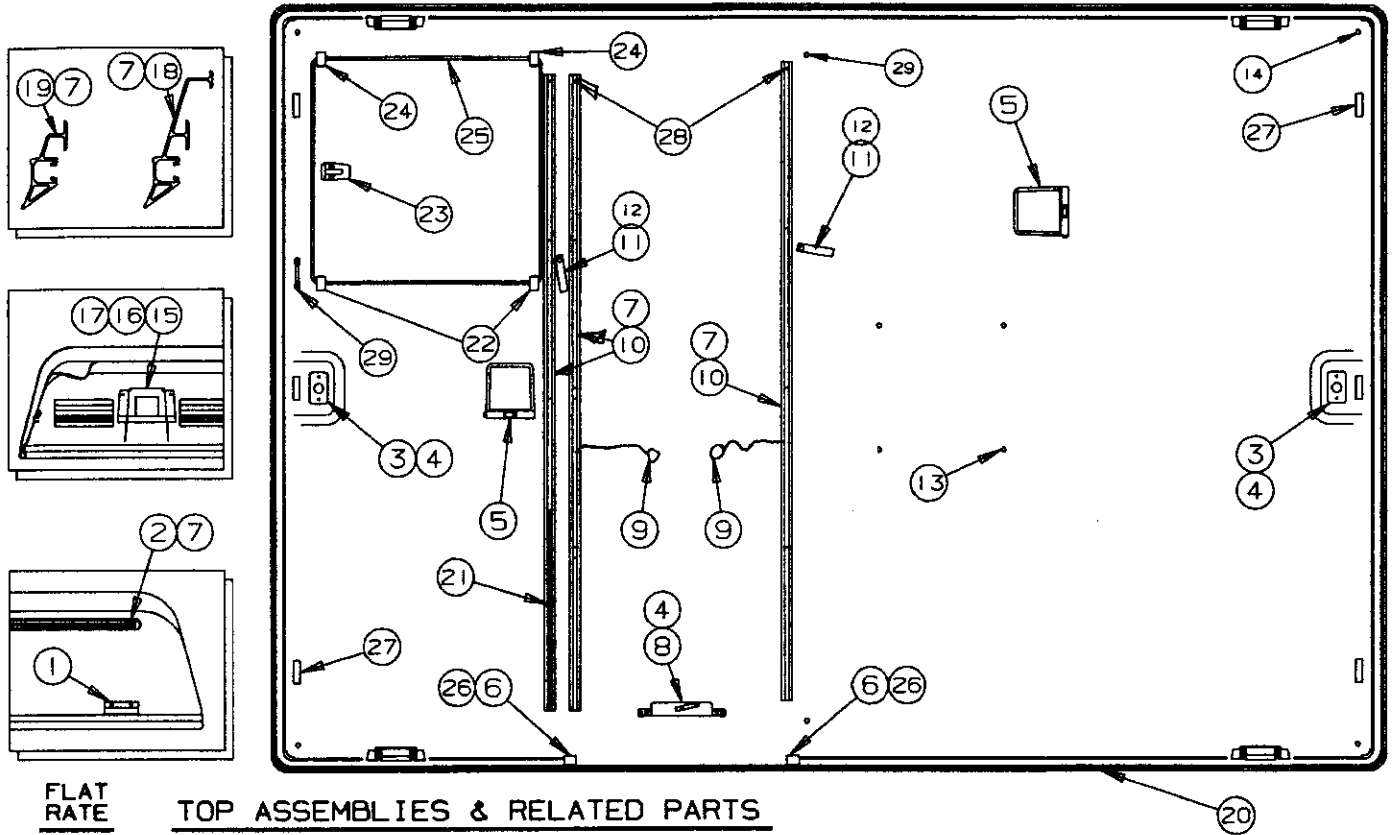
4.50 4716U9701 - TOP ASSEMBLY 3275 TAOS

NOTE: CODE *25 NOT INCLUDED ON TOP MUST ORDER SEPERATELY 3275 TOP ONLY

FLAT
RATE

- | | | | | | |
|------|--------------|---|--------------|---------------------------------|----------------------------------|
| .50 | ① 4741D1981 | TOP CORNER (RT. FRT./LT. RR.) 3270,75 | .15 | ⑫ 4734D5211 | SCREEN DOOR CABLE M6 |
| | | NOTE: MUST CUT TOP CORNER TO SIZE ON 3275 TOP | | ⑬ 4730A3548 | STUD W/SCREW x2 |
| | 4745-3968 | PAINTED SCREW x6 | .15 | ⑭ 4723A5061 | STRAP x2 |
| | 4350000058F | SATURATED FOAM TAPE (SOLD/FOOT) | .30 | ⑮ 4756-0631 | TENT TRACK (FRT./RR.) 3270 |
| .50 | ② 4741D1991 | TOP CORNER (LT. FRT./RT. RR.) | .30 | ⑯ 4747A1271 | TENT TRACK (FTR./RR.) 3275 |
| | | NOTE: MUST CUT TOP CORNER TO SIZE ON 3275 TOP | | 1103E1018 | STAINLESS STEEL SCREW |
| .50 | ③ 4728D20881 | CANOPY TRACK (MUST CUT TO SIZE) | ⑰ 1203-9258 | PLASTIC ACCORDION RIVET M25 | |
| | 4745-3968 | PAINTED SCREW | ⑱ 4741H18681 | SIDE COVE x2 (MUST CUT TO SIZE) | |
| 1.00 | ④ 4752-0279 | CENTER SEAM (MUST CUT TO SIZE) | 4747-2558 | EXPANSION RIVET M25 | |
| | 4060400096F | VINYL SCREW COVER (SOLD/FOOT) | .20 | ⑲ 4350400004F | VINYL TAPE (SOLD/FOOT) |
| | 4741-3508 | HEX HEAD SCREW | | 4756A0671 | COVE (FRONT/ REAR) 3270 |
| | 4350000058F | SATURATED FOAM TAPE (SOLD/FOOT) | | 4741G21481 | COVE (FRONT/ REAR) 3275 |
| .50 | ⑤ 4756-0681 | TOP SEAL EXTRUSION FRT./RR. 3270 | | 4747-2558 | EXPANSION RIVET M25 |
| .50 | 4741E21381 | TOP SEAL EXTRUSION FRT./RR. 3275 | .30 | ⑳ 4756-0641 | TENT & VAL. TRACK (SOLD/81" PC.) |
| .15 | ⑥ 4750-9581 | TOP STRIKE x4 M2 3270 | | 1103E1018 | STAINLESS STEEL SCREW |
| | 4750A9581 | TOP STRIKE x4 M2 3275 | .20 | ㉑ 4747D5521 | LIFT POCKET COVER x4 3270,75 |
| | 4744A2461 | PAINTED SCREW M2 | | 4741D3558 | HOLE PLUG x2 |
| | 1201B6958 | NUT x2 PER STRIKE | | 4350000005F | VELCRO HOOK (SOLD/YARD) |
| .15 | ⑦ 4741F11381 | TENT SUPPORT BRKT. | .25 | ㉒ 4741B5431 | LIFT POCKET x4 |
| | 4741C9368 | PAINTED SCREW x2 | | 1201B6378 | LOCK NUT x2 |
| .15 | ⑧ 4737H5911 | SINGLE DOME LIGHT | .15 | ㉓ 4750-2978 | LATCH x2 |
| | 4714H0891 | DOME LIGHT LENS | | 1203-8951 | RIVET M25 |
| | 1103B1028 | SCREW x4 | .50 | ㉔ 4060000399F | RUBBER TOP SEAL (40'PACKAGED) |
| | ⑨ 4737-3211 | RUBBER BUTTON M8 | | ㉕ 4724F2631 | VELCRO HOOK M6 |
| .30 | ⑩ 4733H47181 | SCREEN DOOR TRACK x2 3270,3275 | | | NOTE: TO HOLD VALANCE IN PLACE |
| | 4744B4611 | EXPANSION RIVET M25 | .75 | ㉖ 4756-0701 | TOP SEAL SIDE EXTRUSION 3270 |
| | 1203-9258 | PLASTIC ACCORDION RIVET M25 | | 4747C1291 | TOP SEAL SIDE EXTRUSION 3275 |
| .20 | ⑪ 4749A5571 | SCREEN DOOR BRACKET | | | |
| | 4747-2553 | EXPANSION RIVET M25 | 1.00 | | EXPAND TOP CORNER |
| | 4749-2138 | SNAP BUTTON M2 | 1.50 | | R&R A/C |
| | 1203-8631 | RIVET M25 | 1.00 | | R&R DOUBLE CROSS BARS |

REPAIR PARTS/FLAT RATE



FLAT RATE TOP ASSEMBLIES & RELATED PARTS

3.00	4753B66081	TOP ASSEMBLY 3251 RIO
3.00	4757-5521	TOP ASSEMBLY 3281 NATCHEZ
3.00	4753A59881	TOP ASSEMBLY 3288 SEA PINE - 3289 SANTA FE
3.00	4753A5761	TOP ASSEMBLY 3291 MESA
3.00	4755A5191	TOP ASSEMBLY 3294 WEST LAKE
3.00	4753A5971	TOP ASSEMBLY 3296 CHEYENNE

NOTE: TOP ASSY. DISPOSAL 1.0 OR COPY OF DISPOSAL BILL

FLAT RATE	DESCRIPTION	FLAT RATE	DESCRIPTION
.15	① 4750A9581 TOP STRIKE x4 M2	.25	⑭ 4753-3341 BLACK PUSH FASTENER M12
	4744C2461 MACHINE SCREW M2 (x2 PER STRIKE)		⑮ 4753A5961 LIFT POCKET ASSEMBLY x4
	1201B6958 KEPS NUT (x2 PER STRIKE)		4745-3968 SCREW (x4 PER LIFT POCKET)
	1202E0408 WASHER (x2 PER STRIKE)	.10	⑯ 4723A8071 2" x 2" VELCRO HOOK PATCH M4
	4739A4191 VINYL CAP M6 (x2 PER STRIKE)	.10	⑰ 4724D0991 3/4" VELCRO STRIP M4
.50	② 4753-1211 CANOPY TRACK 137 1/2"	.50	⑱ 4753B1161 SIDE TENT TRACK (MUST CUT TO SIZE)
.15	③ 4741G11381 TENT SUPPORT BRKT. (x2 PER TOP)	.50	⑲ 4753B1201 TENT TRACK FRONT & REAR
	④ 4734C1861 RIVET M25		⑳ 4716-2221 TOP SEAL M41
.15	⑤ 4737H5911 SINGLE DOME LIGHT	.50	4756-2751 TOP SEAL GLUE KIT
	4714H0891 DOME LIGHT LENS		㉑ 4755-5241 CURTAIN SLIDE TAB x10 (3294 ONLY)
	1203-8741 RIVET M25	.15	㉒ 4755-5221 SHOWER ROD STRAP x2 (3294 ONLY)
	4753-3351 PLASTIC SPACER M12		4739-2918 SCREW CAP WASHER M10
.15	⑥ 4715-6981 SCREEN DR. RETAINING BKT.PKG. FRT/RR.		4739E2908 SCREW CAP M10
	⑦ 4716-2171 ABS TOP GLUE KIT		4747-2558 EXPANSION RIVET M25
.20	⑧ 4749C5571 SCREEN DOOR STORAGE BRACKET	.20	㉓ 4750-1761 SHOWER HEAD BRKT. (3294 ONLY)
	4749-2138 SNAP BUTTON M2	.15	㉔ 4755-5211 SHOWER ROD STRAP x2 (3294 ONLY)
	1203-8631 RIVET x1 M25 (HOLD BUTTON TO BRKT.)		NOTE: REFER TO CODE #22 FOR MOUNTING HARDWARE
.15	⑨ 4734E5211 SCREEN DOOR CABLE M2	.10	㉕ 4755-5231 SHOWER CURTAIN ROD (3294 ONLY)
.50	⑩ 4753-1221 SCREEN DOOR TRACK x2		㉖ 4720D4021 LASHING HOOK M6
	NOTE: TRACK USED x3 ON 3194 WEST LAKE ONLY		4741D96568 EXPANSION RIVET M25 ARCTIC WHITE
.15	⑪ 4723B5061 SCREEN DOOR STRAP x2	.15	㉗ 4724F2631 VELCRO HOOK M6
	NOTE: REFER TO CODE #22 FOR MOUNTING HARDWARE		NOTE: TO HOLD VALANCE IN PLACE
	⑫ 1226D1381 STUD W/RIVET M2		㉘ 4741D96568 EXPANSION RIVET M25 ARCTIC WHITE
	⑬ 1203-9258 ACCORDION RIVET M25		4753-3351 PLASTIC SPACER M12
			NOTE: USED ON BOTH ENDS OF TRACK
1.50	R&R A/C - 1.00 R&R DOUBLE CROSS BARS		㉙ 4733A4511 STEEL LOOP M2 (3294 ONLY)
			1203-8978 COUNTERSUNK RIVET M25
			㉚ 1203-9301 ACCORDIAN RIVET M25